

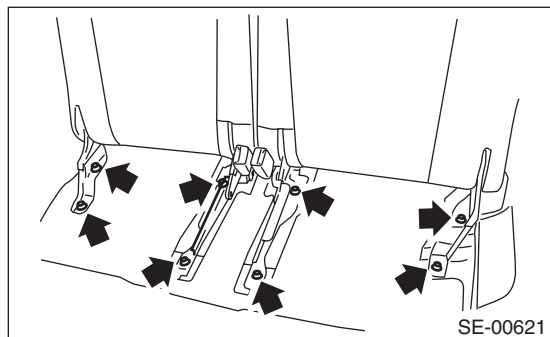
# Third-Row Seats

## SEATS

### 4. Third-Row Seats

#### A: REMOVAL

- 1) Lift up the front side of the 3rd seat cushion and then remove the hooks.
- 2) Lift up the 3rd seat cushion and remove the seat cushion by pushing it backward to detach the hook.
- 3) Remove the eight bolts securing the 3rd seat backrest.



- 4) Remove the 3rd seat.

#### B: INSTALLATION

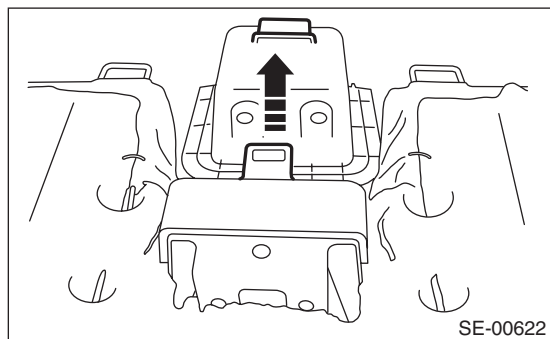
Install in the reverse order of removal.

#### Tightening torque:

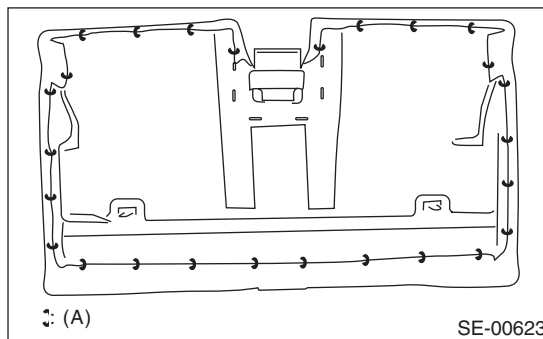
Refer to "COMPONENT" of "General Description". <Ref. to SE-2, COMPONENT, General Description.>

#### C: DISASSEMBLY

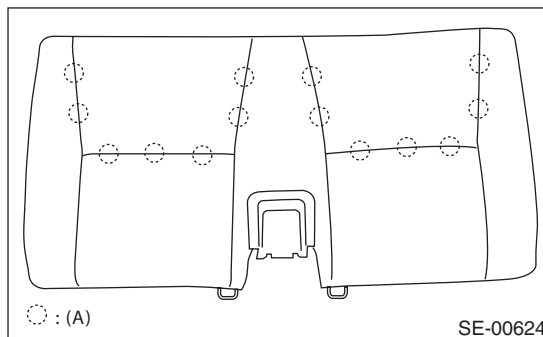
- 1) Remove the 3rd seat. <Ref. to SE-18, REMOVAL, Third-Row Seats.>
- 2) Remove the headrest.
- 3) Pull out the seat belt tray.



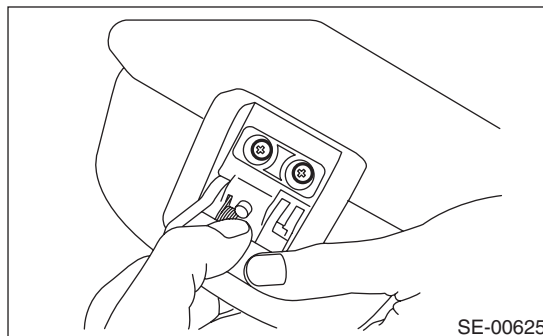
- 4) Remove the hog rings (A) on the rear side of seat cushion.



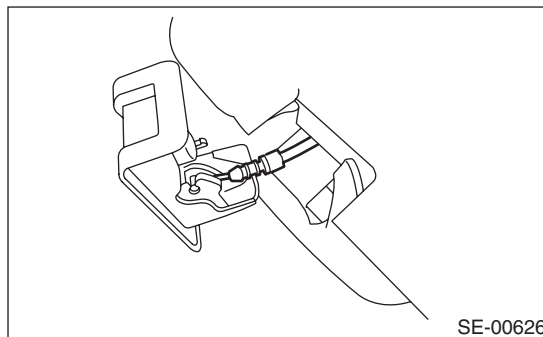
- 5) Remove the hog rings (A) on the front side of seat cushion.



- 6) Remove the two screws securing the hinge lever assembly.

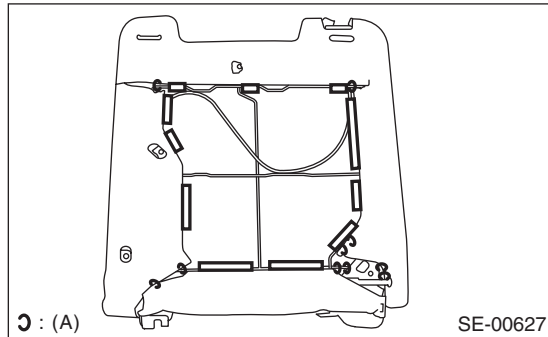


- 7) Disconnect the wire connected to the hinge lever assembly.

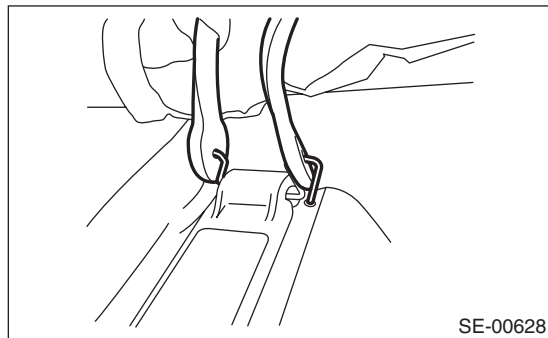


- 8) Remove the seat backrest cover.

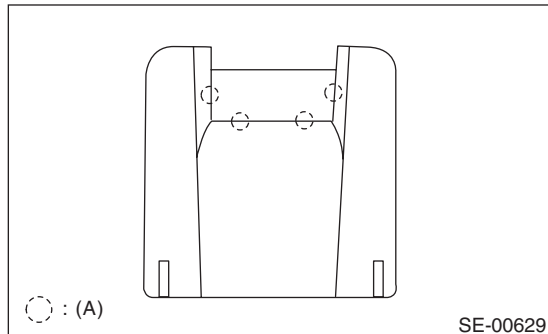
9) Remove the hog rings (A) and hooks at the rear face of the backrest.



10) Remove the hooks which secure the seat backrest to the frame.



11) Remove the hog rings on the rear side of seat backrest.



12) Remove the seat backrest cover.

13) Pull out the frame from the seat backrest cushion.

## D: ASSEMBLY

### CAUTION:

- Be careful not to stain or damage the backrest cover during assembly.
- Always use new hog rings.
- Secure the hog ring using hog ring pliers.
- Install the hog rings to the specified points securely and make sure that no wrinkle or twisting on backrest cover.

Assemble in the reverse order of disassembly.

1) Assemble the seat cushion in the reverse order of disassembly.

2) Assemble the backrest in the reverse order of disassembly.

3) Assemble each inner belt assembly and each cover in the reverse order of removal.

### Tightening torque:

Refer to "COMPONENT" of "General Description". <Ref. to SE-2, COMPONENT, General Description.>

## E: INSPECTION

Check that there is no tear or fray on the seat cover.