

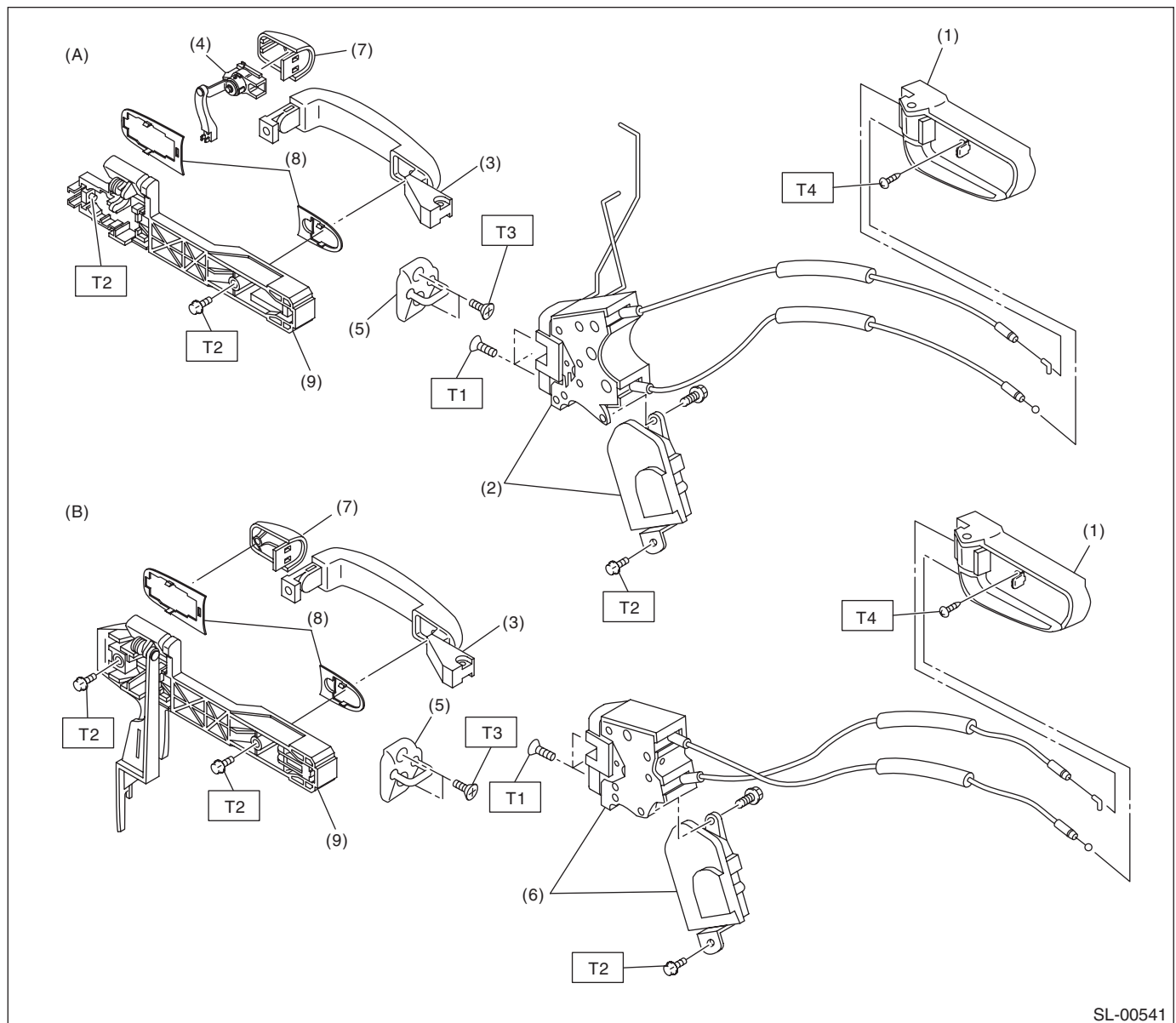
General Description

SECURITY AND LOCKS

1. General Description

A: COMPONENT

1. DOOR LOCK ASSEMBLY



SL-00541

(A) Front

(B) Rear

(1) Inner remote ASSY

(2) Front door latch and door lock actuator ASSY

(3) Door outer handle

(4) Key cylinder (switch)

(5) Striker

(6) Rear door latch and door lock actuator ASSY

(7) Door outer handle cover

(8) Door outer handle spacer

(9) Door outer handle frame ASSY

Tightening torque: N·m (kgf·m, ft·lb)

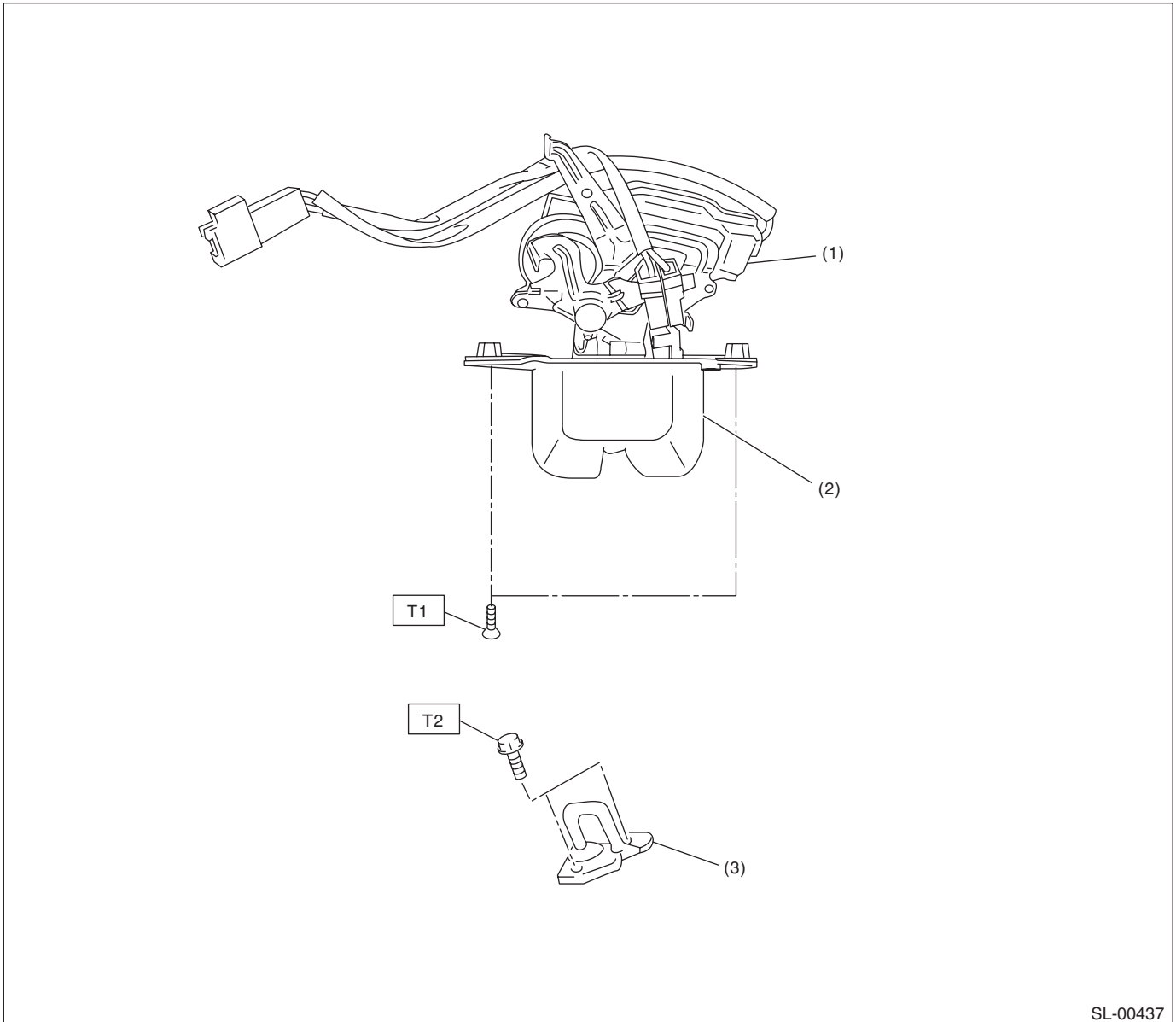
T1: 6.5 (0.66, 4.8)

T2: 7.5 (0.76, 5.5)

T3: 18 (1.8, 13.3)

T4: 1.5 (0.15, 1.1)

2. REAR GATE LOCK



SL-00437

- (1) Rear gate actuator
- (2) Rear gate latch

- (3) Striker

Tightening torque: N·m (kgf·m, ft·lb)

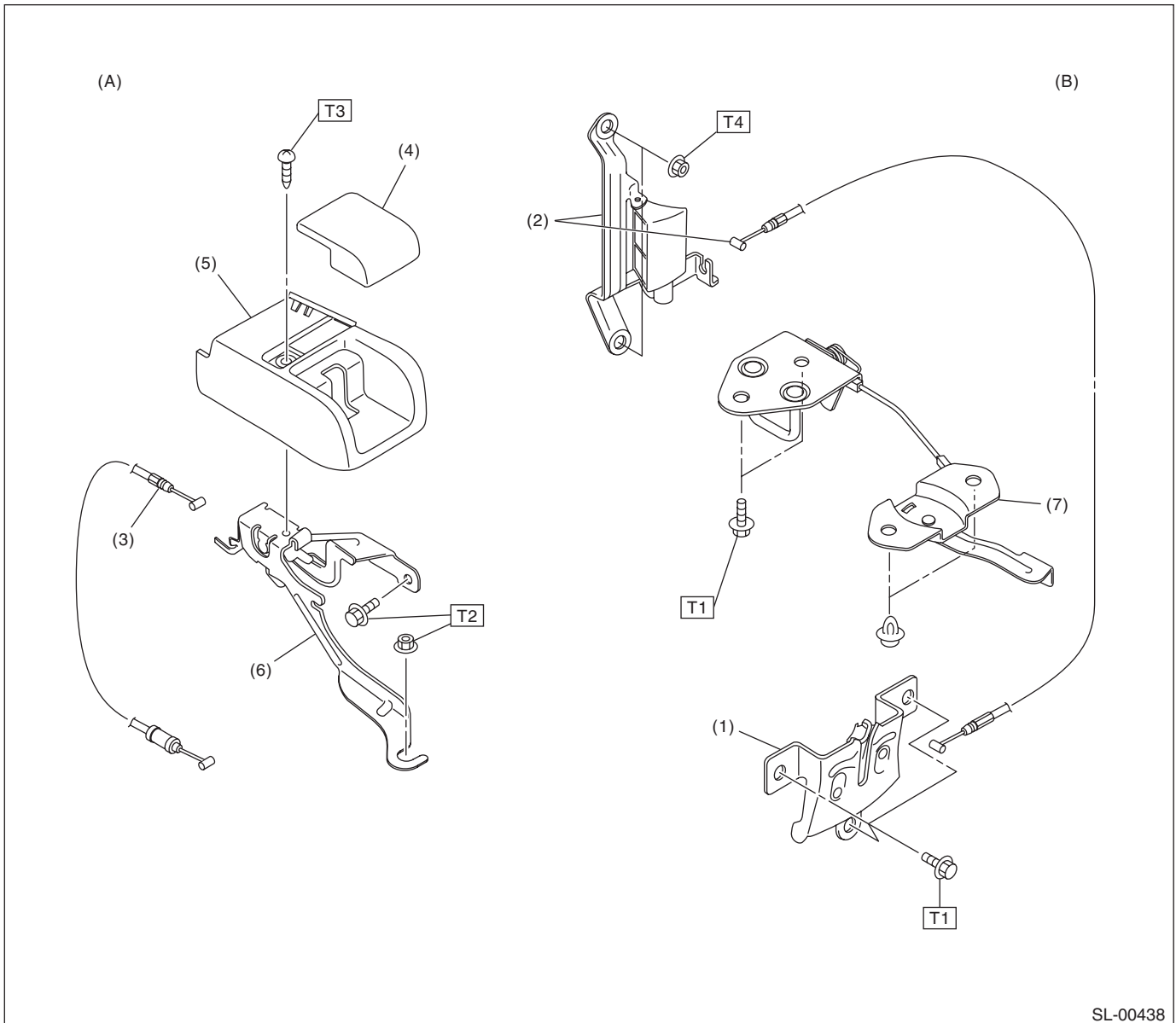
T1: 18 (1.8, 13.3)

T2: 25 (2.5, 18.4)

General Description

SECURITY AND LOCKS

3. FRONT HOOD LOCK AND REMOTE OPENERS



SL-00438

(A) Fuel lid

(B) Hood

(1) Front hood lock ASSY

(6) Pull handle ASSY

(2) Cable ASSY, front hood

(7) Hood operation lever

(3) Cable ASSY, fuel

(4) Pull lever

(5) Cover

Tightening torque: N-m (kgf-m, ft-lb)

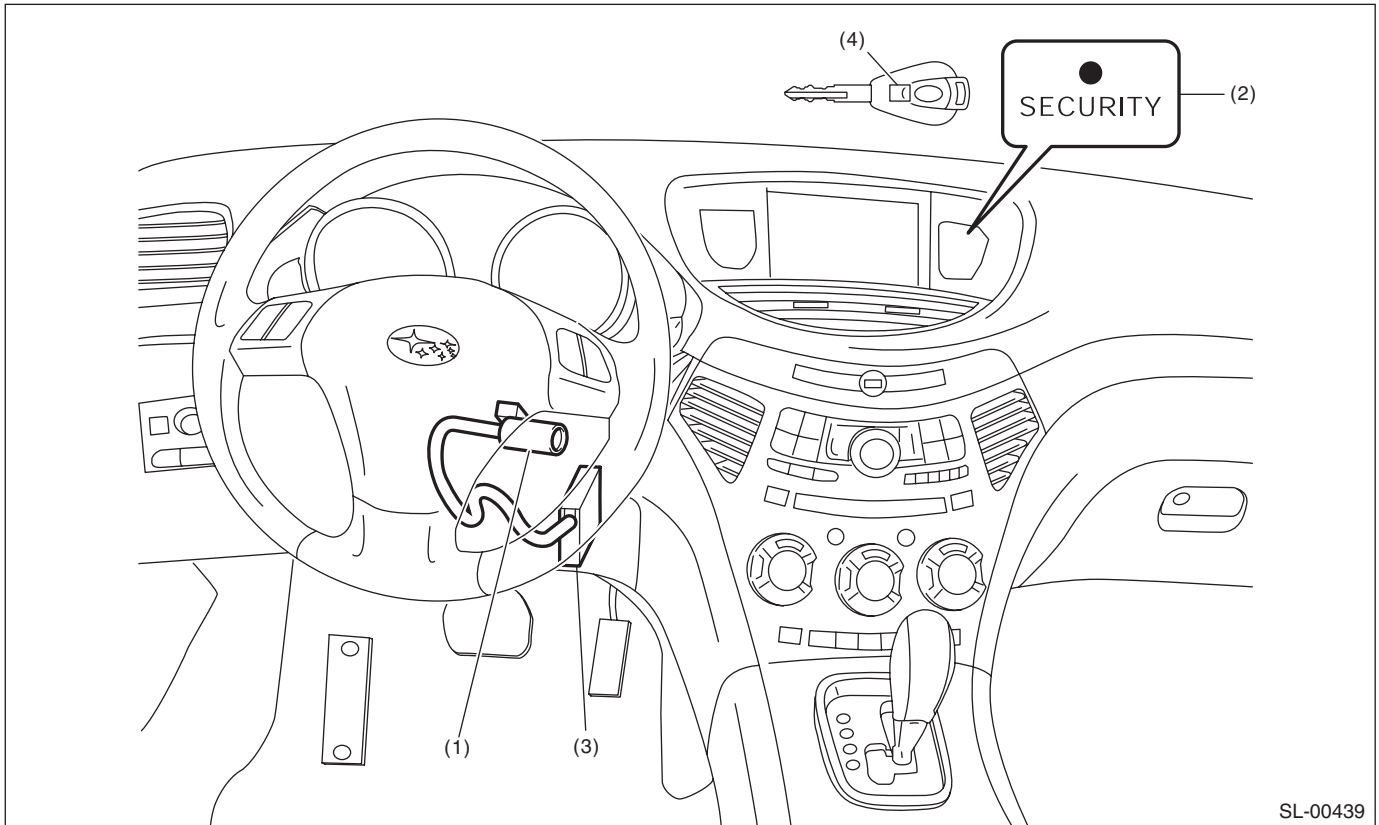
T1: 33.0 (3.36, 24.3)

T2: 7.5 (0.76, 5.5)

T3: 4.5 (0.46, 3.3)

T4: 25 (2.55, 18.4)

4. IMMOBILIZER SYSTEM



(1) Antenna

(3) Body integrated unit

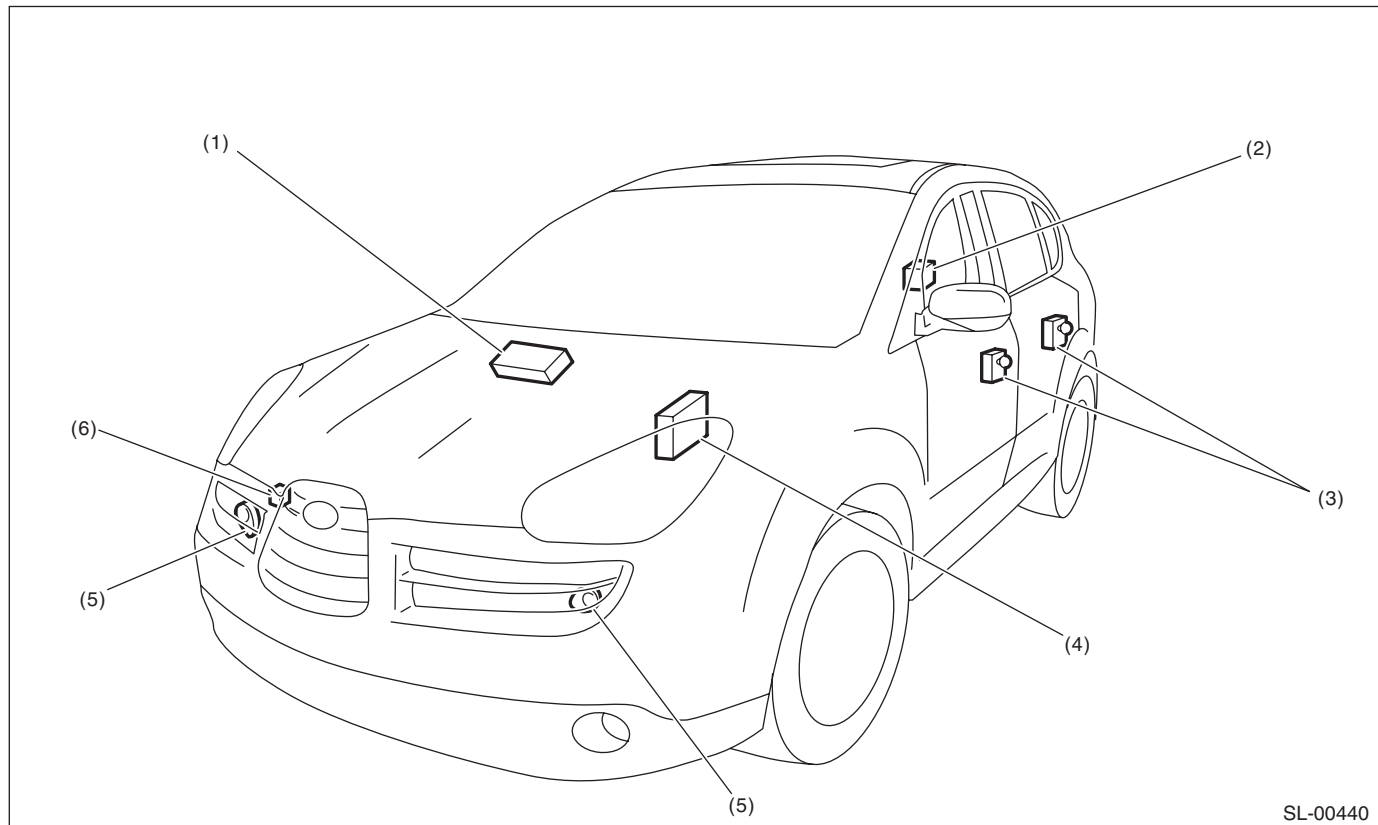
(4) Transponder

(2) Security indicator light (LED bulb)

General Description

SECURITY AND LOCKS

5. KEYLESS ENTRY SYSTEM



- | | | |
|----------------------------------|--------------------------|--------------------|
| (1) Keyless entry control module | (3) Door switch | (5) Horn |
| (2) Rear gate latch switch | (4) Body integrated unit | (6) Keyless buzzer |

B: CAUTION

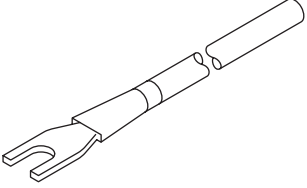
- Before disassembling or reassembling parts, always disconnect the battery ground cable from battery. When repairing the audio, control module, etc. which are provided with memory functions, record the memory contents before disconnecting the ground cable from battery. Otherwise, these contents are erased upon disconnection.
- Reassemble the parts in the reverse order of disassembly unless otherwise indicated.
- Adjust the parts to the specifications described in this manual if so designated.
- Connect the connectors securely during reassembly.
- After reassembly, ensure the functional parts operate smoothly.
- The airbag system wiring harness is routed near electrical parts and switches.
- The airbag system wiring harnesses and connectors are colored yellow. Do not use the electrical test equipment on these circuits.
- Be careful not to damage the airbag system wiring harness when servicing the ignition key cylinder.

General Description

SECURITY AND LOCKS

C: PREPARATION TOOL

1. SPECIAL TOOL

ILLUSTRATION	TOOL NUMBER	DESCRIPTION	REMARKS
 ST-925580000	925580000	PULLER	Used for removing trim clip.

2. GENERAL TOOL

TOOL NAME	REMARKS
Circuit tester	Used for measuring resistance and voltage.
Drill	Used for replacing ignition key lock.
Clip remover	Used for removing trim.
Clip clamp pliers	Used for removal of various clips and clamps.
TORX® T20	Used for removing and installing the door outer handle.