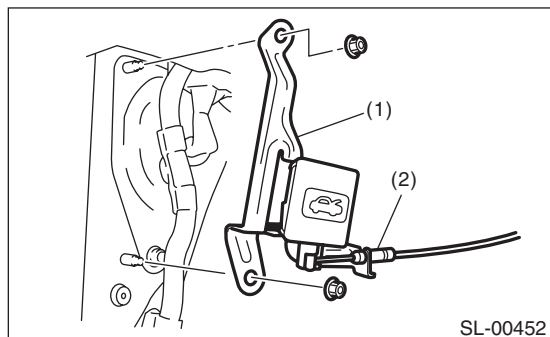


## 16. Remote Openers

### A: REMOVAL

#### 1. FRONT HOOD OPENER

- 1) Remove the nuts, and remove the front hood opener lever.
- 2) Remove the cable from the front hood opener.

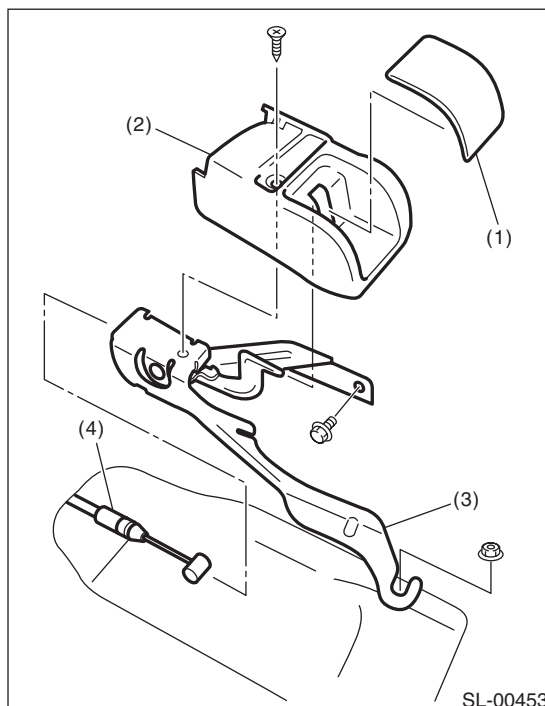


- (1) Front hood opener
- (2) Cable

#### 2. FUEL FILLER FLAP LID OPENER

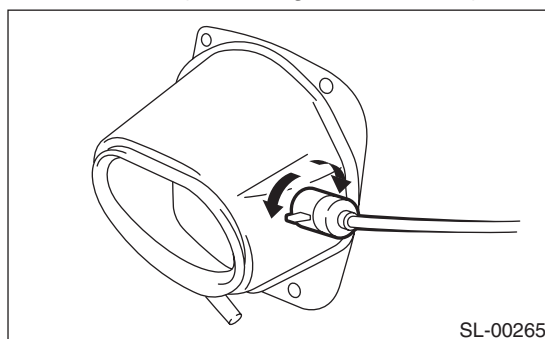
- 1) Remove the second seat. <Ref. to SE-13, REMOVAL, Second-Row Seats.>
- 2) Remove the third-row seats. <Ref. to SE-18, REMOVAL, Third-Row Seats.>
- 3) Remove the following side trims. <Ref. to EI-43, REMOVAL, Side Trim.>
  - Front door scuff plate LH
  - Rear door scuff plate LH
  - Center pillar lower trim
- 4) Remove the right rear quarter trim. <Ref. to EI-45, REMOVAL, Rear Quarter Trim.>
- 5) Turn over the floor mat to remove the clips securing the cable.
- 6) Remove the cover.

- 7) Remove the bolt and nut, and then detach the pull handle assembly.



- (1) Pull lever
- (2) Cover
- (3) Pull handle ASSY
- (4) Cable

- 8) Remove the cable from pull handle assembly.
- 9) Rotate the fuel lock inside the quarter panel to 90° and remove. (Either right or left turn)



### B: INSTALLATION

#### 1. FRONT HOOD OPENER

Install in the reverse order of removal.

#### 2. FUEL FILLER FLAP LID OPENER

Install in the reverse order of removal.

### C: INSPECTION

Make sure the front hood and fuel filler flap lid open and close smoothly.