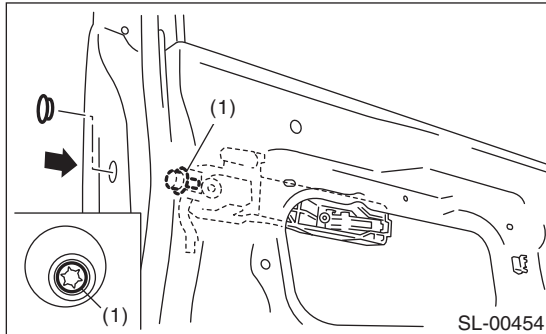


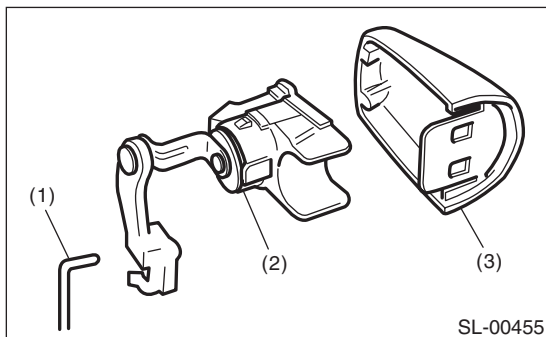
## 18. Key Lock Cylinders

### A: REPLACEMENT

- 1) Raise the front door glass to the top position.
- 2) Remove the door trim. <Ref. to EI-35, REMOVAL, Door Trim.>
- 3) Remove the sealing cover.
- 4) Remove the plug at the rear end of the panel.
- 5) Loosen bolt (1) to remove the rod clamp.



- 6) Remove the key cylinder all together with the handle cover.
- 7) Remove the key cylinder from cover, and replace the key cylinder.



- (1) Latch connection rod
- (2) Key cylinder
- (3) Door outer handle cover