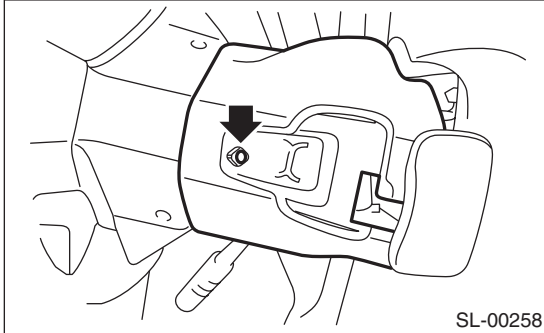


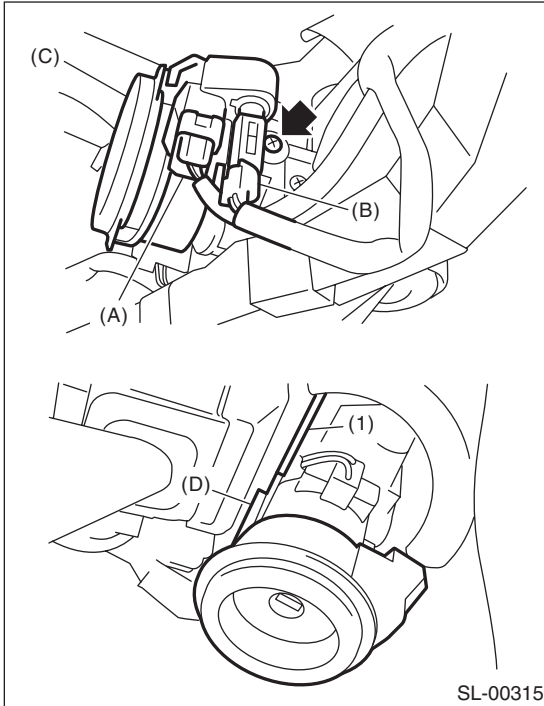
26. Immobilizer Antenna

A: REMOVAL

- 1) Disconnect the ground cable from the battery.
- 2) Remove the screws, and detach the upper column cover and lower column cover.



- 3) Remove the instrument panel lower cover. <Ref. to EI-36, REMOVAL, Instrument Panel Lower Cover.>
- 4) Disconnect the immobilizer antenna connector (A) and ignition switch lighting connector (B).
- 5) Loosen the screw and release the lock (D) at opposite side using flat-tip screwdriver (1), and then detach the immobilizer antenna (C).



CAUTION:

Do not apply excessive force to remove the immobilizer antenna and lock. Otherwise they may be broken because those parts are the products made of a plastic.

B: INSTALLATION

Install in the reverse order of removal.

SUNROOF/T-TOP/CONVERTIBLE TOP (SUNROOF)

SR

	Page
1. General Description	2
2. Sunroof Control System	4
3. Glass Lid	5
4. Sunroof Assembly	6
5. Sunroof Motor	7
6. Sunroof Switch	9
7. Sunshade	10