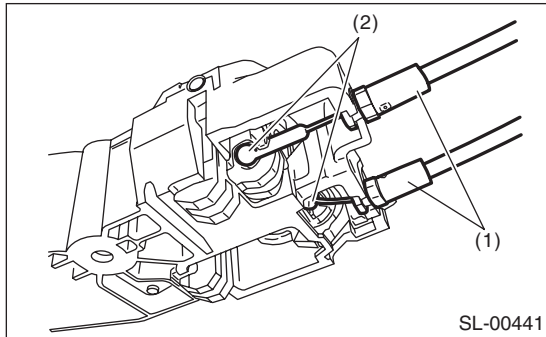


9. Rear Inner Remote

A: REMOVAL

- 1) Remove the rear door trim. <Ref. to EI-35, REMOVAL, Door Trim.>
- 2) Remove the screw, slide the inner remote to the rear, and remove from the panel.
- 3) Remove the cable (1).
- 4) Remove the cable end (2), and detach the inner remote handle.



B: INSTALLATION

Install in the reverse order of removal.

NOTE:

Make sure the inner remote works correctly after installation.

C: INSPECTION

- 1) Check the cable of the remote handle and lock knob for deformation. When it is deformed, straighten it because failure operations may occur. When it is unrepairable, replace the rear door latch and door lock actuator assembly.
- 2) Check that the remote handle and lock knob operates smoothly.
- 3) Check the child safety lock for correct operations.