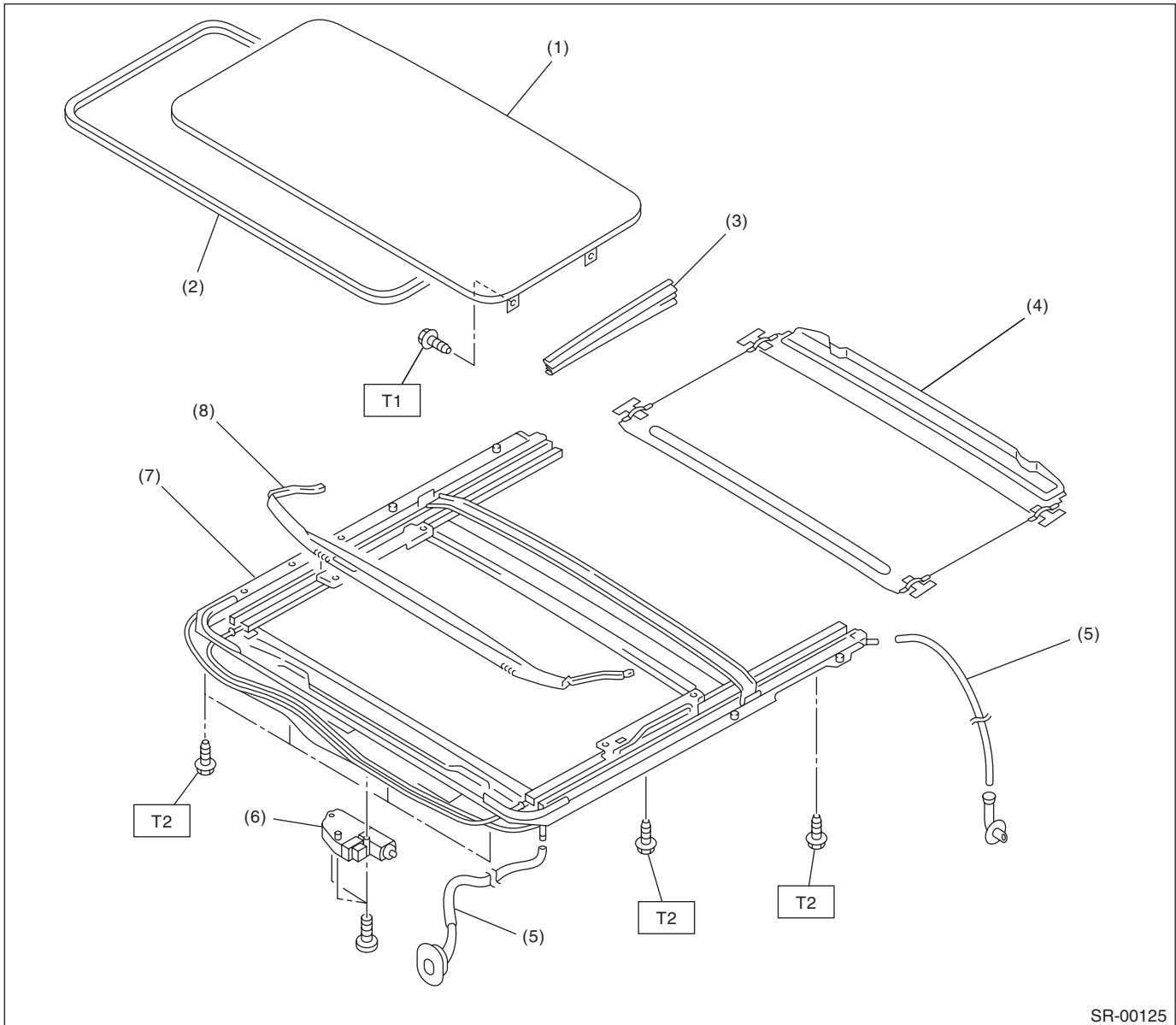


General Description

SUNROOF/T-TOP/CONVERTIBLE TOP (SUNROOF)

1. General Description

A: COMPONENT



- (1) Glass lid
- (2) Weather strip
- (3) Cover
- (4) Sunshade

- (5) Drain tube
- (6) Motor ASSY
- (7) Frame ASSY
- (8) Deflector

Tightening torque: N·m (kgf·m, ft·lb)

T1: 4.5 (0.46, 3.3)

T2: 6.0 (0.61, 4.4)

General Description

SUNROOF/T-TOP/CONVERTIBLE TOP (SUNROOF)

B: CAUTION

- Before disassembling or reassembling parts, always disconnect the battery ground cable from battery. When replacing the audio, control unit, and other parts provided with memory functions, record the memory contents before disconnecting the battery ground cable in order to prevent memory deletion.
- Reassemble the parts in the reverse order of disassembly unless otherwise indicated.
- Adjust parts to the given specifications.
- Connect the connectors securely for reassembly.
- After reassembly, make sure functional parts operate smoothly.

C: PREPARATION TOOL

1. GENERAL TOOL

TOOL NAME	REMARKS
Circuit tester	Used for measuring resistance and voltage.
TORX®T20	Used for the removal of the sun roof lid and sunshade.