

Glass Lid

SUNROOF/T-TOP/CONVERTIBLE TOP (SUNROOF)

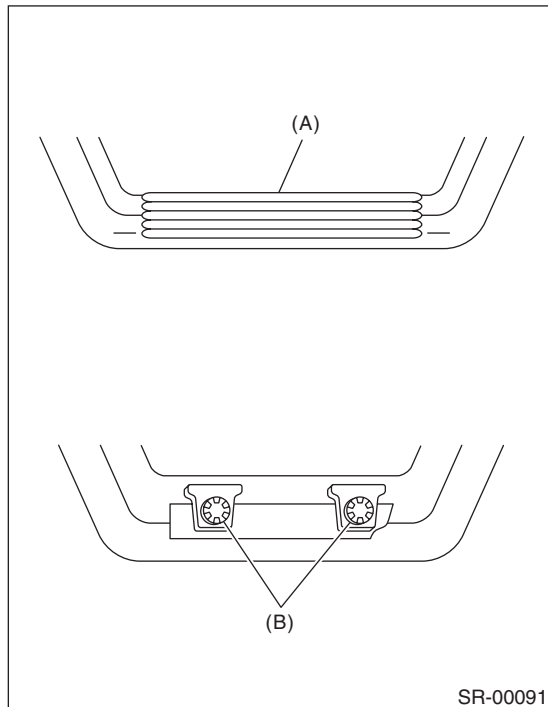
3. Glass Lid

A: REMOVAL

- 1) Completely close the glass lid, and then open the sunshade.
- 2) Remove the cover (A), and then remove the TORX® bolts (B).

CAUTION:

The thread locker is applied to the TORX® bolts, so use the new parts once they are removed.



- 3) Remove the glass lid carefully.

B: INSTALLATION

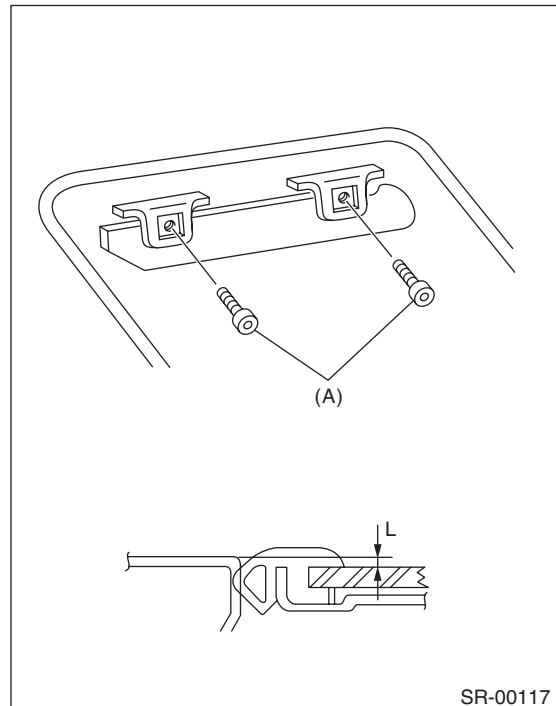
Install in the reverse order of removal.

C: ADJUSTMENT

Loosen the glass lid mounting TORX® bolts (A), and then adjust the height with moving the lid.

Difference in height between glass lid and roof panel L:

2.0±1.0 mm (0.079±0.039 in)

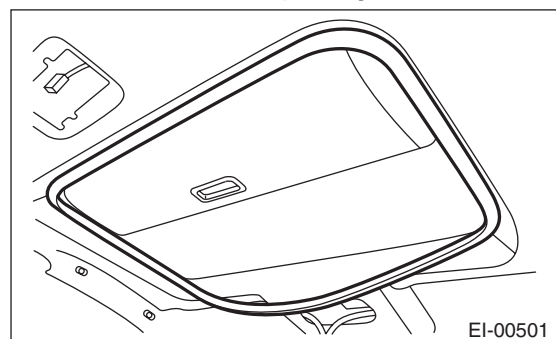


D: FORCED DRIVE

If glass lid dose not operate or is not supplied with power, move the glass lid using the hexagon wrench * .

* : **L shape universal purpose hexagon wrench bolt width 4 mm (0.16 in)**

- 1) Remove the spot map light. <Ref. to LI-30, REMOVAL, Spot Map Light.>
- 2) Remove the sunroof opening trim.



- 3) Remove the sun visor clip.
- 4) Insert the hexagon wrench securely until it touches the motor shaft edge.

CAUTION:

Make sure not to bend or wrinkle the roof trim during work.

- 5) Turn the hexagon wrench, and move the glass lid.
 - Turning right, the glass lid open.
 - Turning left, the glass lid close.