

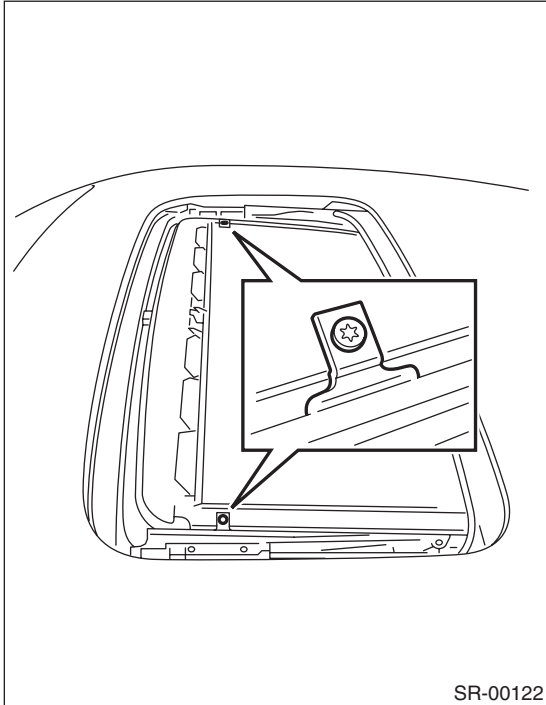
Sunshade

SUNROOF/T-TOP/CONVERTIBLE TOP (SUNROOF)

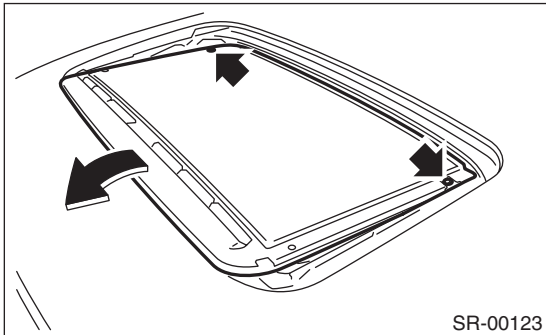
7. Sunshade

A: REMOVAL

- 1) Remove the glass lid. <Ref. to SR-5, REMOVAL, Glass Lid.>
- 2) Loosen the TORX® bolt to remove the front sunshade bracket.



- 3) Pull the sunshade until the rear sunshade bracket comes into the sight, then loosen the TORX® bolts to remove the sunshade.



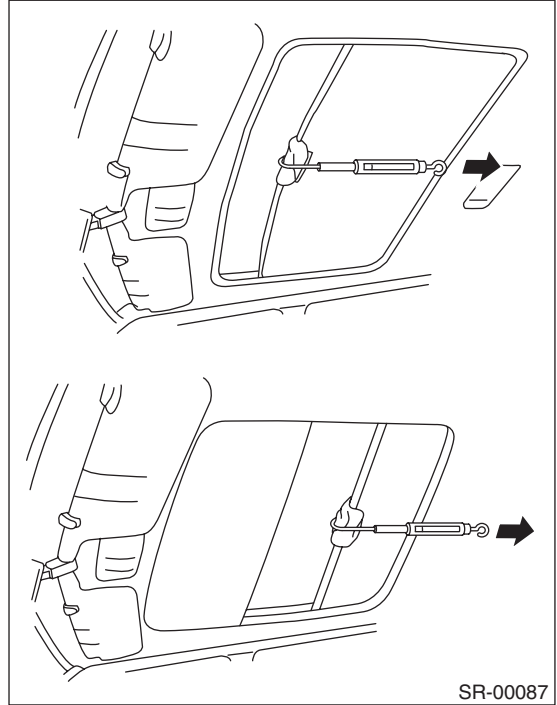
B: INSTALLATION

Install in the reverse order of removal.

C: INSPECTION

1. CHECK FOR MOVING LOAD OF SUNSHADE

- 1) Attach a spring scale to sunshade edge using a cloth.



- 2) Pull the spring scale to measure moving load of the sunshade.

Moving load of sunshade:

Specification

18.0 ± 5.0 N (1.8 ± 0.5 kgf, 13 ± 3.7 lbf)

NOTE:

Moving load is larger at the beginning of pulling a spring scale, so take a spring scale reading while sunshade sliding smoothly.

- 3) If moving load exceeds specifications, check the glass lid, sunshade and frame assembly for improper installation.

EXTERIOR/INTERIOR TRIM



	Page
1. General Description	2
2. Front Under Cover	17
3. Fuel Tank Protector	18
4. Mud Guard	19
5. Front Grille	20
6. Front Bumper	21
7. Rear Bumper	28
8. Cowl Panel	30
9. Roof Spoiler	31
10. Side Garnish	32
11. Roof Molding	34
12. Door Trim	35
13. Instrument Panel Lower Cover	36
14. Glove Box	37
15. Console Box	38
16. Center Console	39
17. Instrument Panel Assembly	40
18. Side Trim	43
19. Rear Quarter Trim	45
20. Floor Mat	47
21. Sun Visor	48
22. Assist Grip	49
23. Roof Trim	50
24. Rear Gate Trim	51
25. Rear Gate Garnish	52
26. Heat Shield Cover	53
27. Trailer Hitch	54