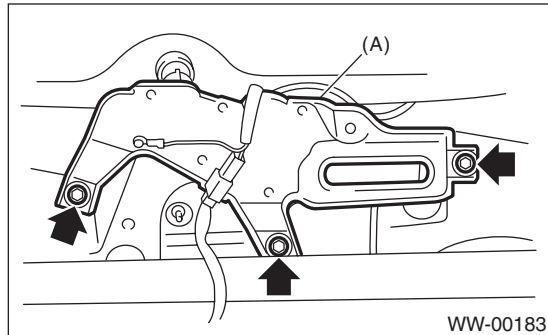


11.Rear Wiper Motor

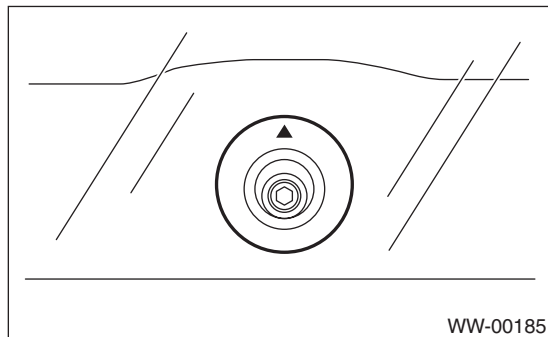
A: REMOVAL

- 1) Disconnect the ground cable from the battery.
- 2) Remove the rear wiper arm. <Ref. to WW-18, REMOVAL, Rear Wiper Arm.>
- 3) Remove the rear gate lower trim. <Ref. to EI-51, REMOVAL, Rear Gate Trim.>
- 4) Disconnect the harness connector of wiper motor assembly.
- 5) Remove the bolts to remove wiper motor assembly (A).



B: INSTALLATION

- 1) Install in the reverse order of removal.
- 2) Be sure that the pivot cap with the arrow mark facing up, as shown in the figure.



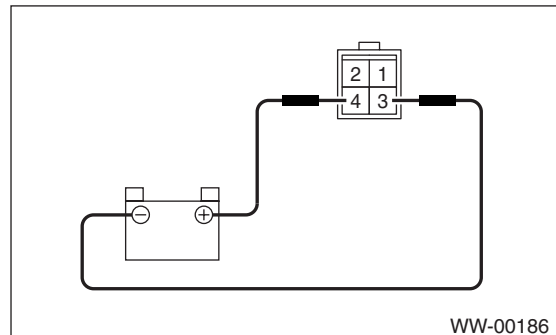
Tightening torque:

Refer to "COMPONENT" of "General Description".

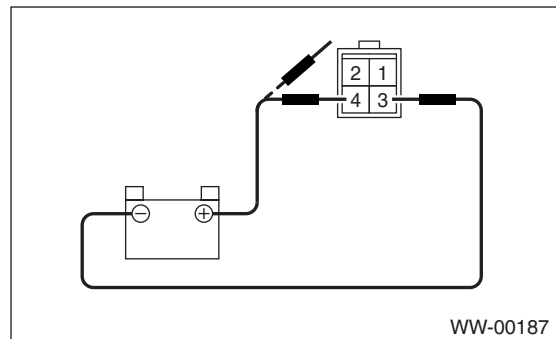
<Ref. to WW-3, REAR WIPER, COMPONENT, General Description.>

C: INSPECTION

- 1) Connect the battery to the wiper motor connector and confirm that wiper motor operates.



- 2) Connect the battery to the terminals to the connector, then run the wiper motor at low speed and disconnect the terminal in mid motion.



- 3) Connect the battery and confirm that the wiper motor stops at the automatic stop position after the wiper motor operates at low speed again.

