

# Wiper Blade

## WIPER AND WASHER SYSTEMS

### 4. Wiper Blade

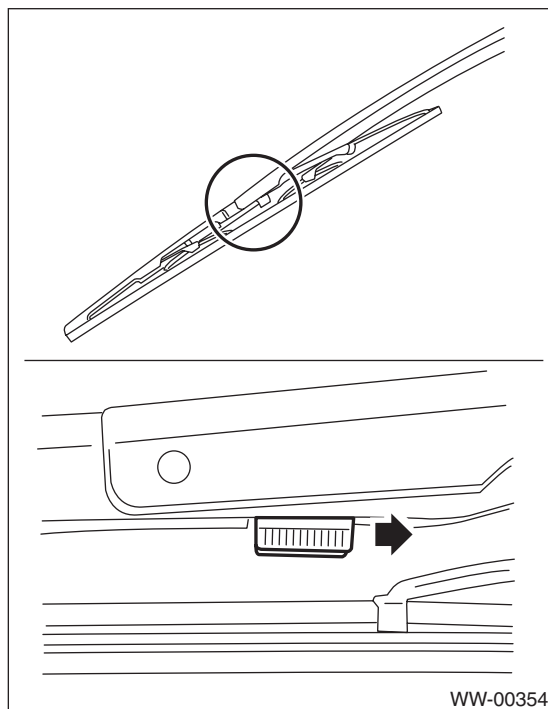
#### A: REMOVAL

##### CAUTION:

When replacing the wiper blade, if standing up the wiper arm, be sure to stand up the driver's side wiper arm first, and then passenger's side wiper arm next. Also, when putting the wiper arms back, be sure to start with passenger's side first, then driver's side next. Doing this in the reverse order may result in the driver's side wiper blade hitting the passenger's side wiper arm and causing damage.

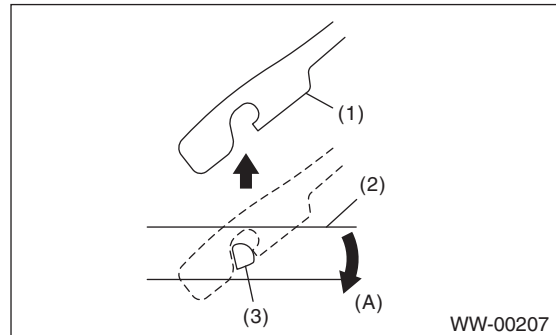
#### 1. FRONT

While pushing the locking clip to the direction of the arrow, pull out and remove the blade from the arm.



#### 2. REAR

Turn the blade in the direction of arrow (A) and remove it from arm.



- (A) Turn the wiper blade.
- (1) Wiper arm
- (2) Wiper blade
- (3) Wiper blade attachment section

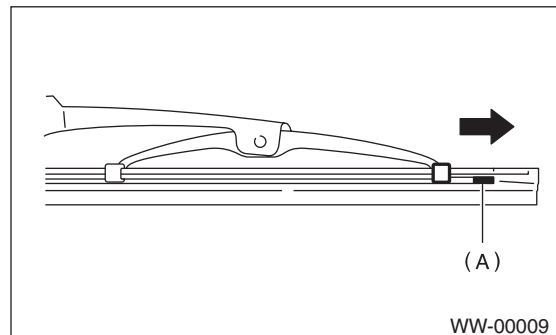
#### B: INSTALLATION

- 1) Install in the reverse order of removal.
- 2) Confirm that the clip is locked securely.

#### C: DISASSEMBLY

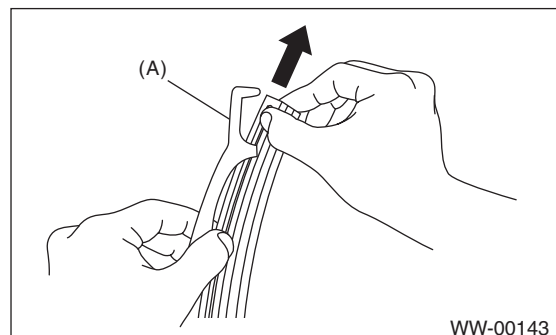
#### 1. FRONT

Pull side (A) of the wiper rubber stopper and remove the rubber from the blade assembly.



#### 2. REAR

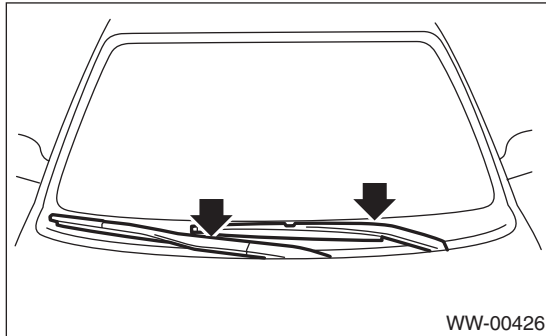
Pull the wiper rubber top slightly from stopper (A) and pull out completely.



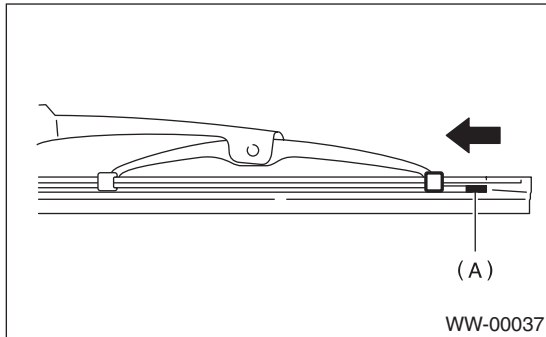
### D: ASSEMBLY

#### 1. FRONT

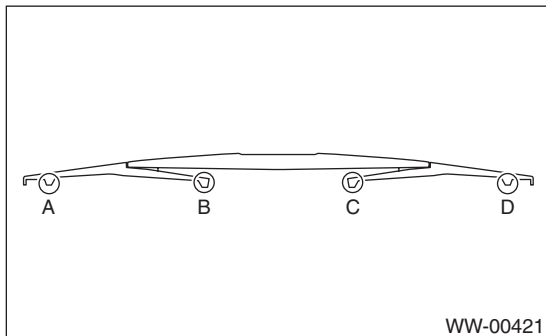
1) Insert the wiper rubber onto the blade so that the stopper is in the position shown in the figure.



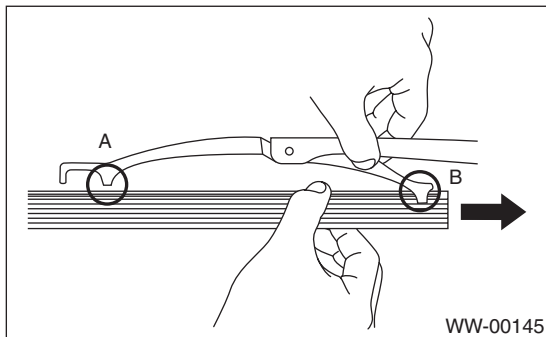
2) Make sure the wiper rubber is securely fastened to pull stopper (A).



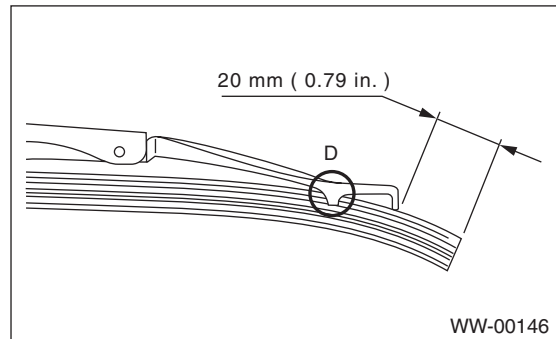
#### 2. REAR



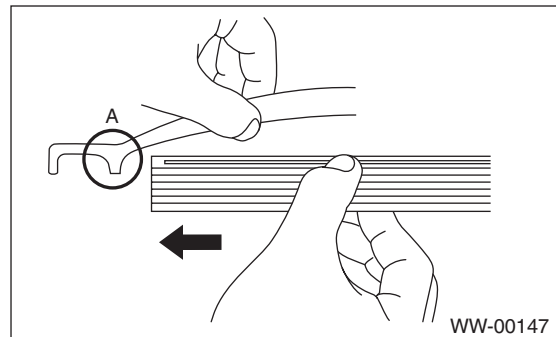
1) Insert the wiper rubber into claw B.



2) Insert the wiper rubber until its top end protrudes approx. 20 mm (0.79 in.) from stopper D.



3) Insert the wiper rubber into claw A.



### E: INSPECTION

1) When the wiper does not operate properly, inspect the following item.

- Make sure the movable part of wiper blade assembly moves smoothly.
- Make sure the wiper rubber is not deformed or damaged.

2) If damaged, replace with a new part.