

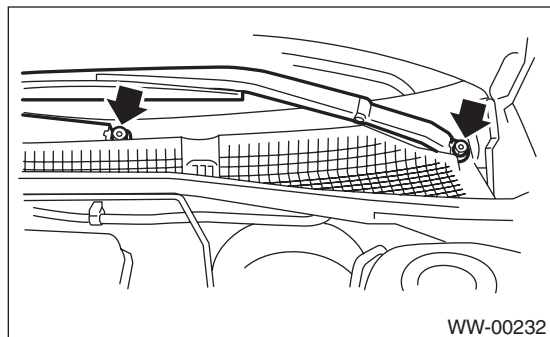
7. Front Wiper Arm

A: REMOVAL

CAUTION:

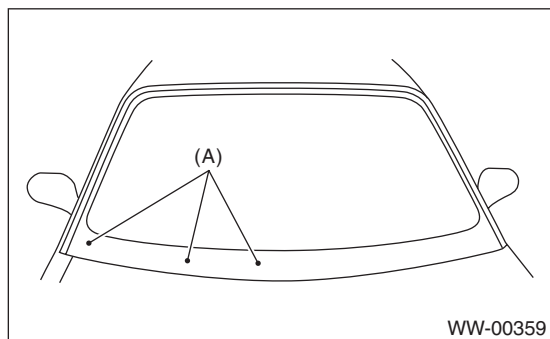
When standing up the wiper arm, be sure to stand up the driver's side wiper arm first, and then passenger's side wiper arm next. Also, when putting the wiper arms back, be sure to start with passenger's side first, then driver's side next. Doing this in the reverse order may cause the driver's side wiper blade to hit the passenger's side wiper arm and cause damage.

- 1) Remove the cap.
- 2) Remove the nut and remove the wiper arm.



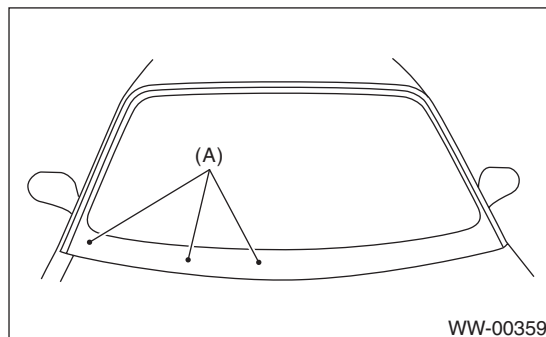
B: INSTALLATION

- 1) Install in the reverse order of removal.
- 2) Operate the wiper once.
- 3) Align the wiper blade to ceramic print point mark (A) of front window panel.



C: ADJUSTMENT

Operate the wiper once. Align the wiper blade to ceramic print point mark (A) of front window panel.



Tightening torque:

Refer to "COMPONENT" of "General Description".

<Ref. to WW-2, FRONT WIPER, COMPONENT, General Description.>