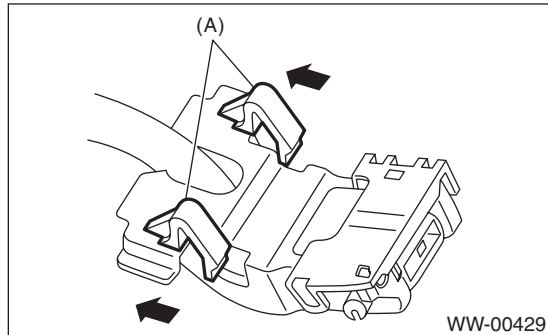


9. Front Washer Nozzle

A: REMOVAL

1) Remove the front hood insulator. <Ref. to EB-13, FRONT HOOD INSULATOR, REMOVAL, Front Hood.>

2) Hold the claw (A) of the washer nozzle towards the direction of the arrow, and remove the washer nozzle.



3) Remove the washer hose from the washer nozzle.

B: INSTALLATION

Install in the reverse order of removal.

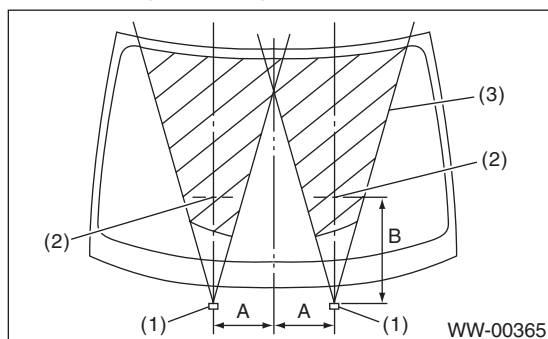
C: INSPECTION

- Make sure the nozzle and hose are not clogged.
- Make sure the hose is not bent.
- While the vehicle is at a standstill and the wiper switch is turned OFF, make sure that the washer injection position is as shown in the figure.

Spray position:

A: 250 mm (9.84 in)

B: 433 mm (17.05 in)



- (1) Nozzle
- (2) Spray center aiming position
- (3) Spray area (shaded area)