

Radiator Sub Fan and Fan Motor

COOLING

9. Radiator Sub Fan and Fan Motor

A: REMOVAL

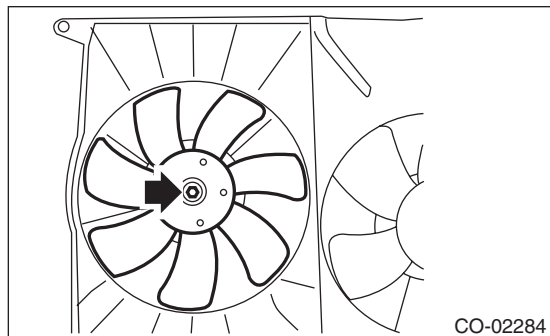
Refer to the radiator main fan and fan motor. <Ref. to CO(H6DO)-24, REMOVAL, Radiator Main Fan and Fan Motor.>

B: INSTALLATION

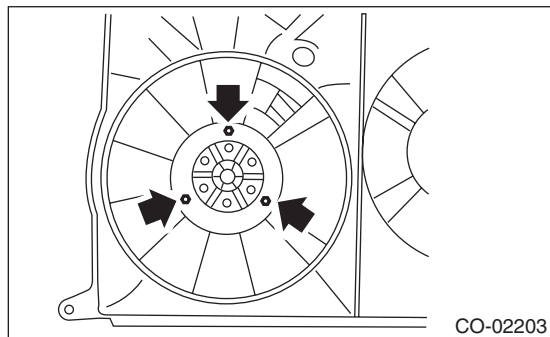
Refer to the radiator main fan and fan motor. <Ref. to CO(H6DO)-25, INSTALLATION, Radiator Main Fan and Fan Motor.>

C: DISASSEMBLY

1) Remove the radiator sub fan.



2) Remove the radiator sub fan motor.

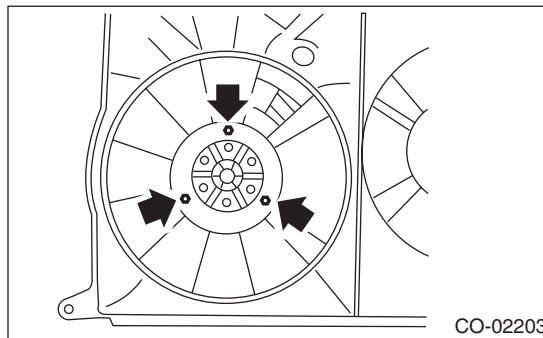


D: ASSEMBLY

Assemble in the reverse order of disassembly.

Tightening torque:

3.8 N·m (0.39 kgf·m, 2.8 ft·lb)



Tightening torque:

6.3 N·m (0.64 kgf·m, 4.6 ft·lb)

