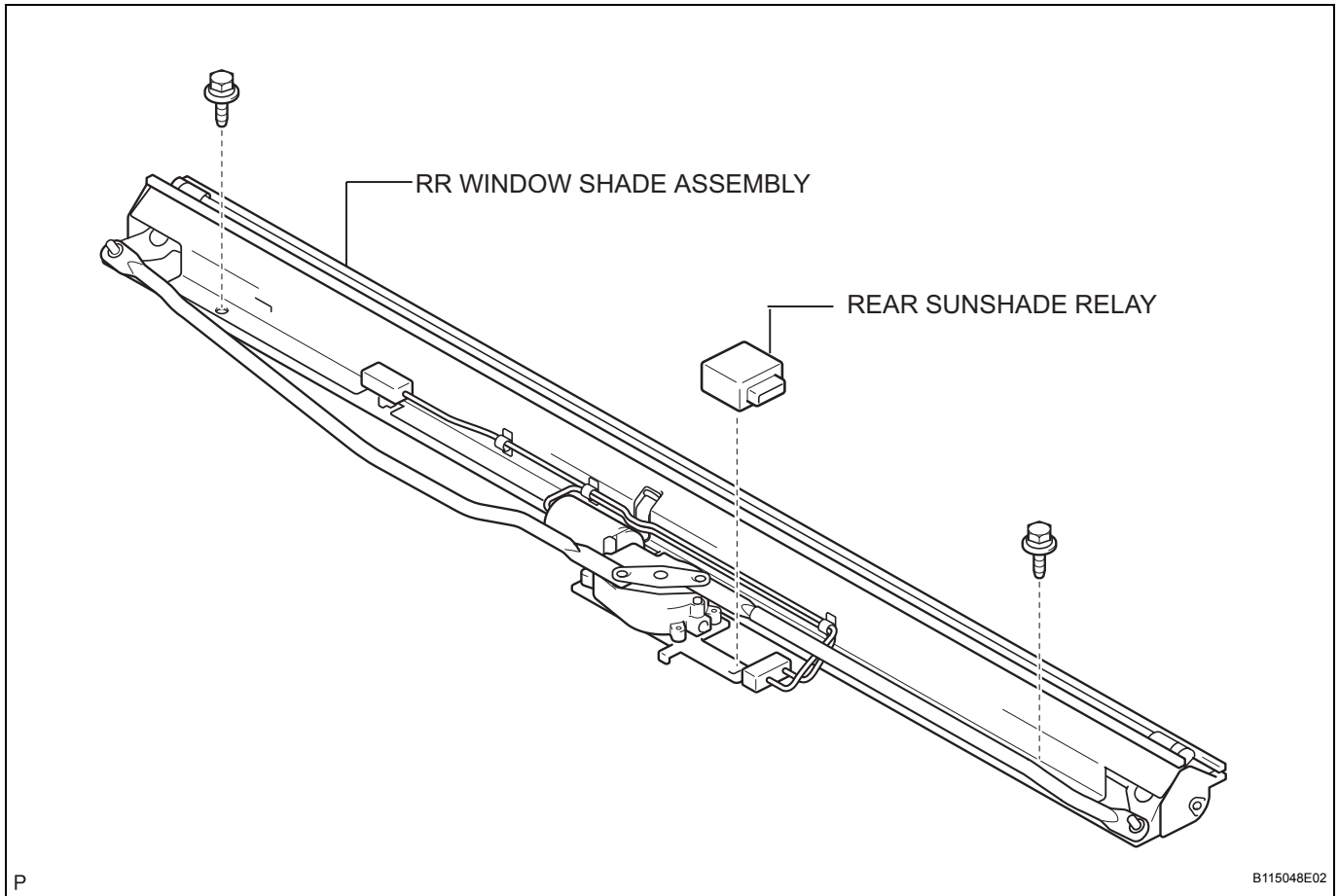


# REAR SUNSHADE ASSEMBLY

## COMPONENTS



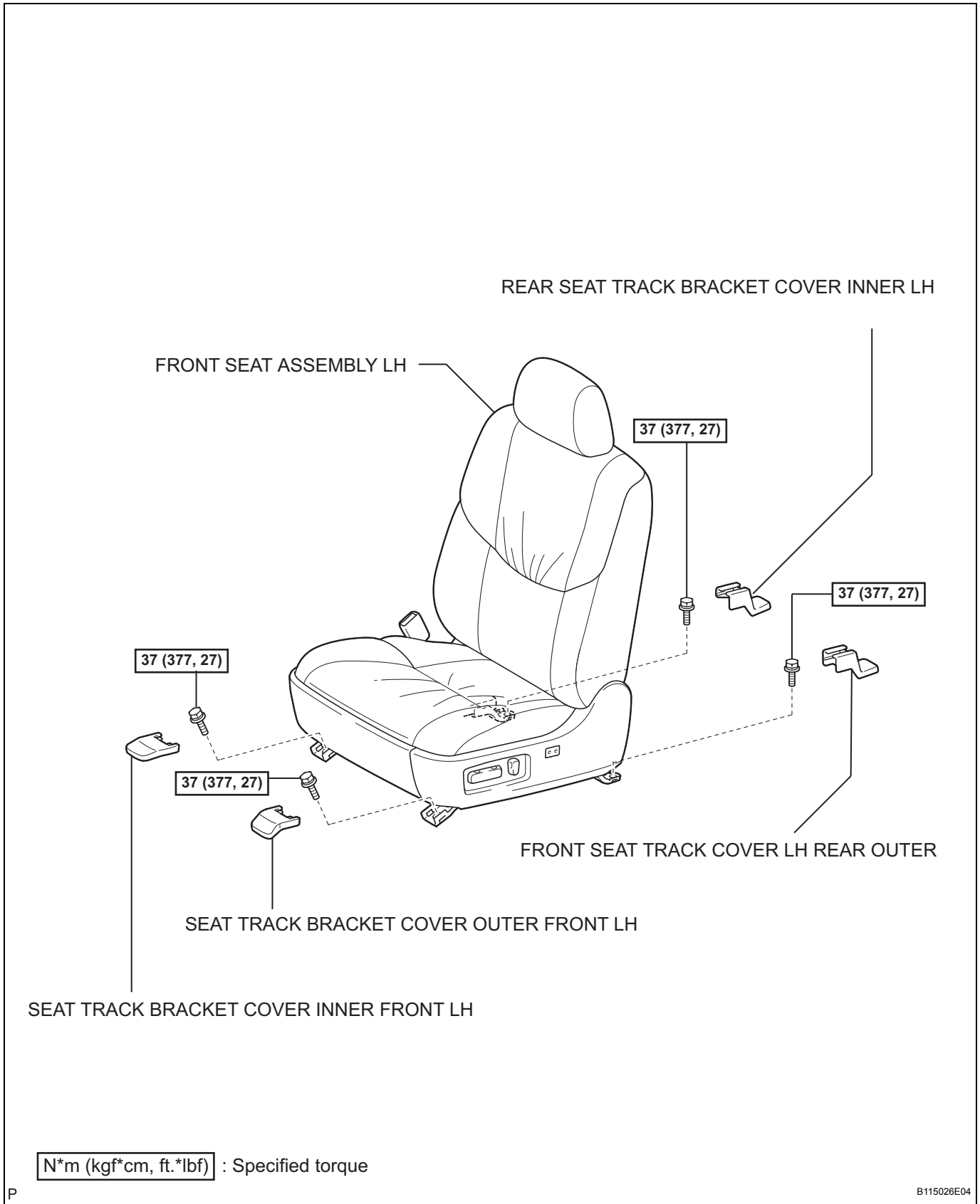
## REMOVAL

1. **DISCONNECT CABLE FROM NEGATIVE BATTERY TERMINAL**
  - (a) Wait for 90 seconds after disconnecting the cable to prevent the airbag working.
2. **REMOVE BENCH TYPE REAR SEAT CUSHION ASSEMBLY (See page [SE-68](#))**
3. **REMOVE REAR DOOR SCUFF PLATE LH (See page [IR-12](#))**
4. **REMOVE REAR DOOR SCUFF PLATE RH (See page [IR-12](#))**
5. **REMOVE REAR DOOR OPENING TRIM WEATHERSTRIP LH**
6. **REMOVE REAR DOOR OPENING TRIM WEATHERSTRIP RH**
7. **REMOVE REAR SEAT SIDE GARNISH LH (See page [IR-14](#))**
8. **REMOVE REAR SEAT SIDE GARNISH RH (See page [IR-15](#))**
9. **REMOVE ROOF SIDE GARNISH ASSEMBLY INNER LH (See page [IR-14](#))**
10. **REMOVE ROOF SIDE GARNISH ASSEMBLY INNER RH (See page [IR-14](#))**
11. **SEPARATE REAR OUTER SEAT BELT ASSEMBLY (See page [SB-25](#))**
12. **SEPARATE REAR SEAT INNER WITH CENTER BELT ASSEMBLY RH (See page [SB-33](#))**
13. **SEPARATE REAR OUTER SEAT BELT ASSEMBLY (See page [SB-25](#))**
14. **REMOVE PACKAGE TRAY TRIM PANEL ASSEMBLY (See page [SB-31](#))**
15. **REMOVE RR WINDOW SHADE ASSEMBLY**
  - (a) Remove the 2 bolts and the RR window shade assembly.
    - (1) Disengage the claw and remove the rear sunshade relay.

## INSTALLATION

1. **INSTALL REAR OUTER SEAT BELT ASSEMBLY** (See page [SB-25](#))
2. **INSTALL REAR SEAT INNER WITH CENTER BELT ASSEMBLY RH** (See page [SB-33](#))
3. **INSTALL REAR OUTER SEAT BELT ASSEMBLY** (See page [SB-25](#))
4. **INSTALL ROOF SIDE GARNISH ASSEMBLY INNER RH** (See page [IR-19](#))
5. **INSTALL ROOF SIDE GARNISH ASSEMBLY INNER LH** (See page [IR-19](#))
6. **CONNECT CABLE FROM NEGATIVE BATTERY TERMINAL**
7. **PERFORM INITIALIZATION**
  - (a) Some systems need initialization when disconnecting the cable from the negative battery terminal.  
HINT:  
See page [IN-29](#)
8. **INSPECT SRS WARNING LIGHT**  
HINT:  
See page [RS-28](#)

# ROOF HEADLINING COMPONENTS



IR

FRONT SEAT TRACK COVER RH REAR OUTER

FRONT SEAT ASSEMBLY RH

37 (377, 27)

37 (377, 27)

37 (377, 27)

37 (377, 27)

SEAT TRACK BRACKET COVER INNER RH

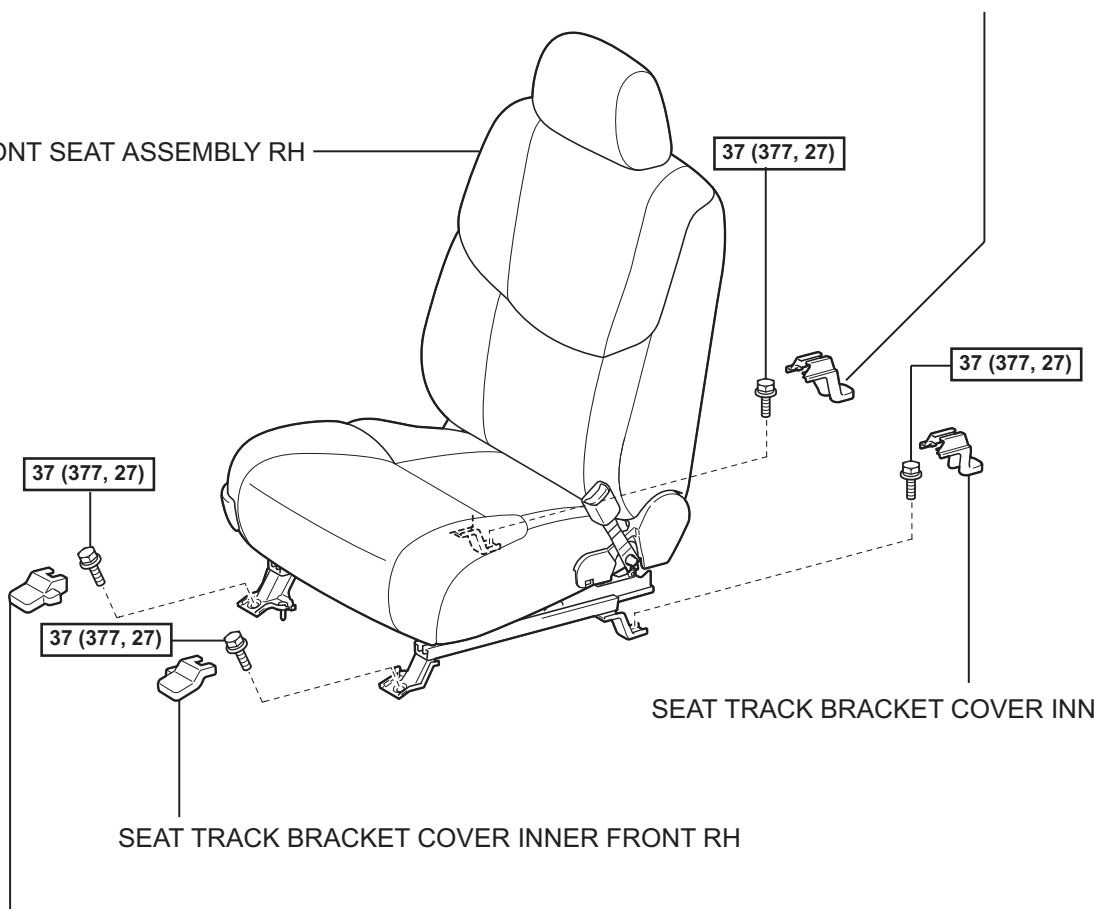
SEAT TRACK BRACKET COVER INNER FRONT RH

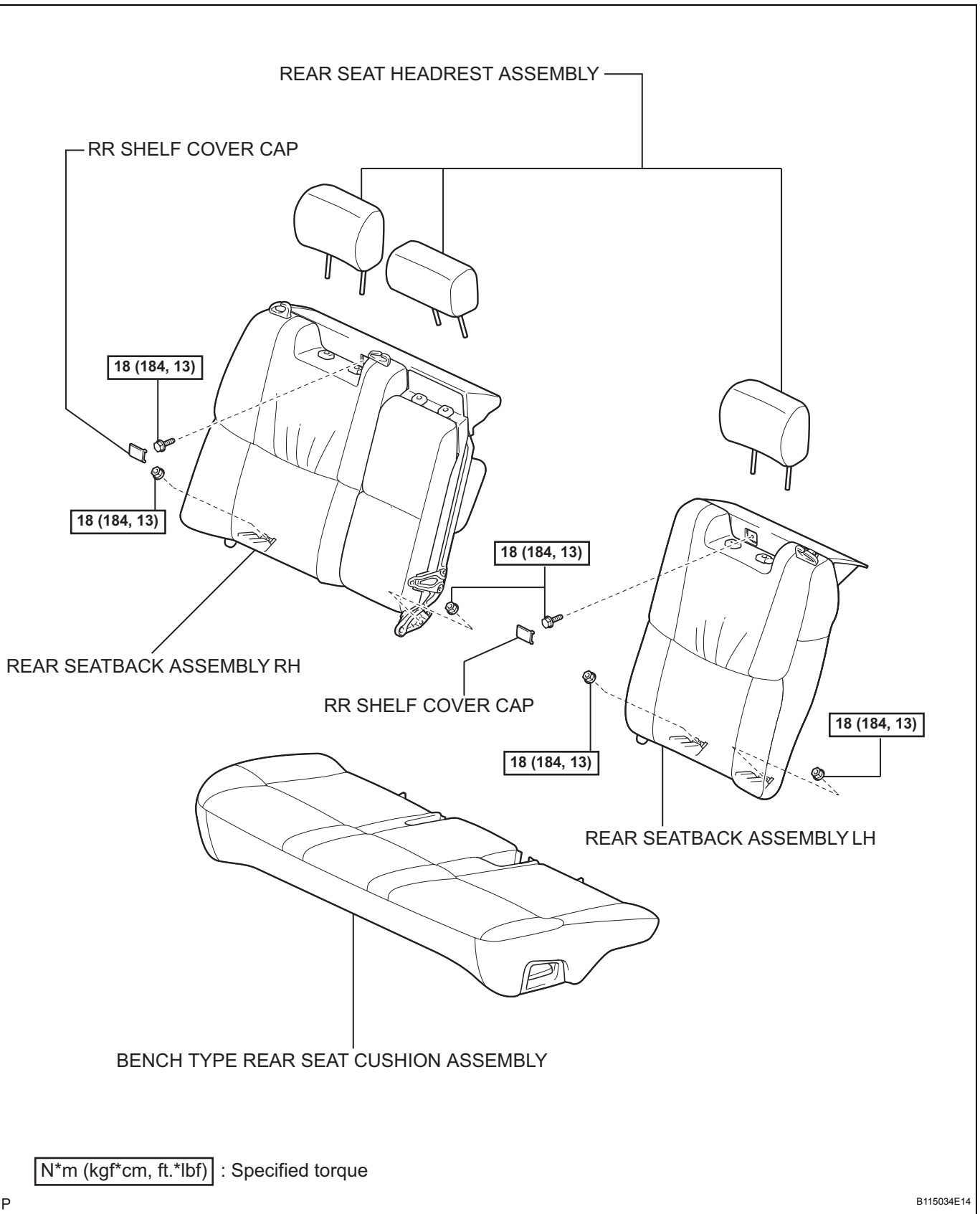
SEAT TRACK BRACKET COVER OUTER FRONT RH

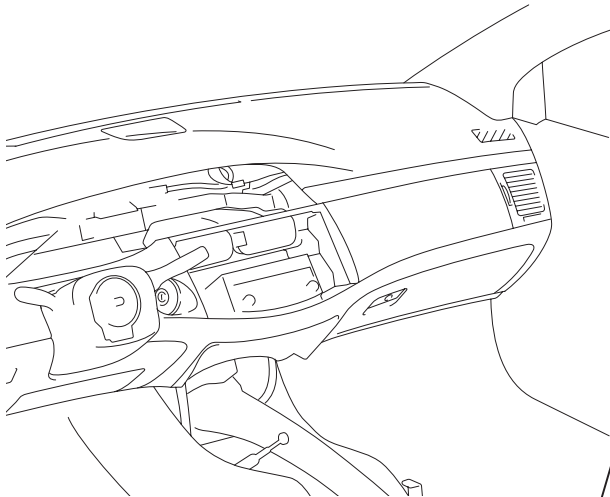
**N\*m (kgf\*cm, ft.\*lbf)** : Specified torque

**IR**

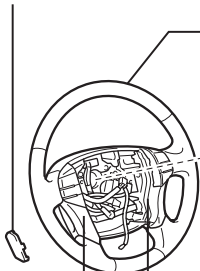
P







LOWER NO.3 STEERING WHEEL COVER



STEERING WHEEL ASSEMBLY

8.8 (90, 78 in.\*lbf)



STEERING PAD

50 (510, 37)

LOWER NO.2 STEERING WHEEL COVER

SHIFT LEVER KNOB SUB-ASSEMBLY



POSITION INDICATOR HOUSING ASSEMBLY



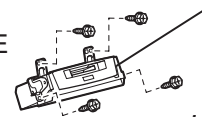
UPPER CONSOLE BOX

UPPER CONSOLE PANEL SUB-ASSEMBLY



w/ BOX:

TAPE PLAYER ASSEMBLY



w/ TAPE PLAYER:



UPPER CONSOLE PANEL SUB-ASSEMBLY

w/ ASH RECEPTACLE:



UPPER CONSOLE PANEL SUB-ASSEMBLY

w/ NAVIGATION:



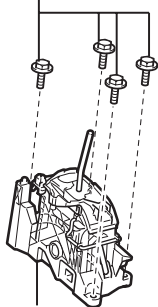
UPPER CONSOLE PANEL SUB-ASSEMBLY

w/ SEAT HEATER:

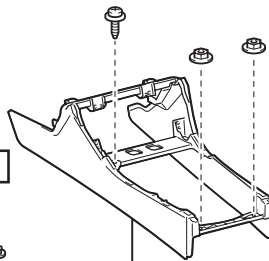


SEAT HEATER SWITCH

12 (122, 9)

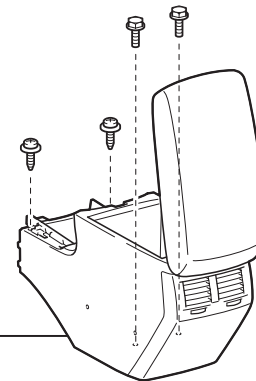
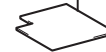


FLOOR SHIFT ASSEMBLY



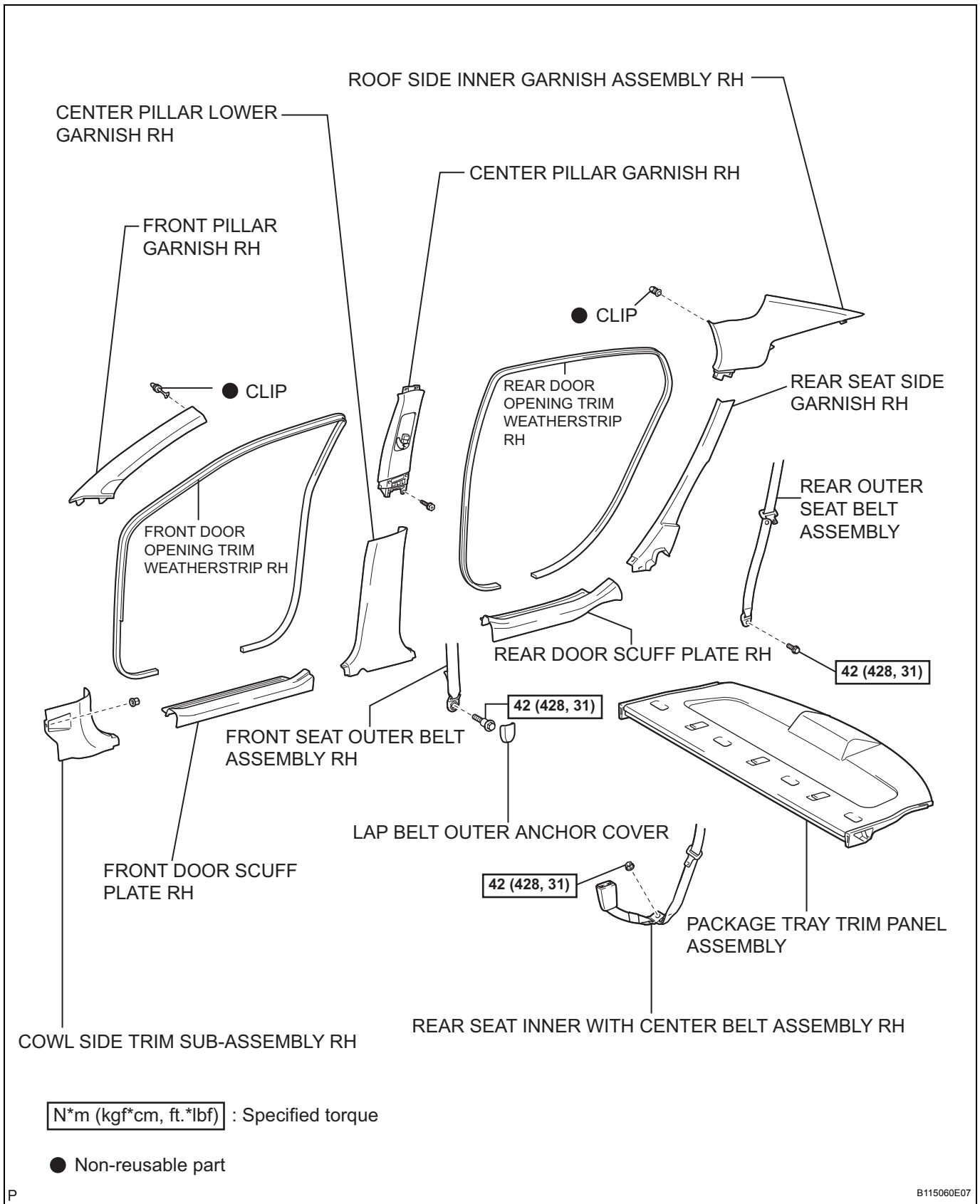
FRONT CONSOLE BOX

CONSOLE BOX CARPET

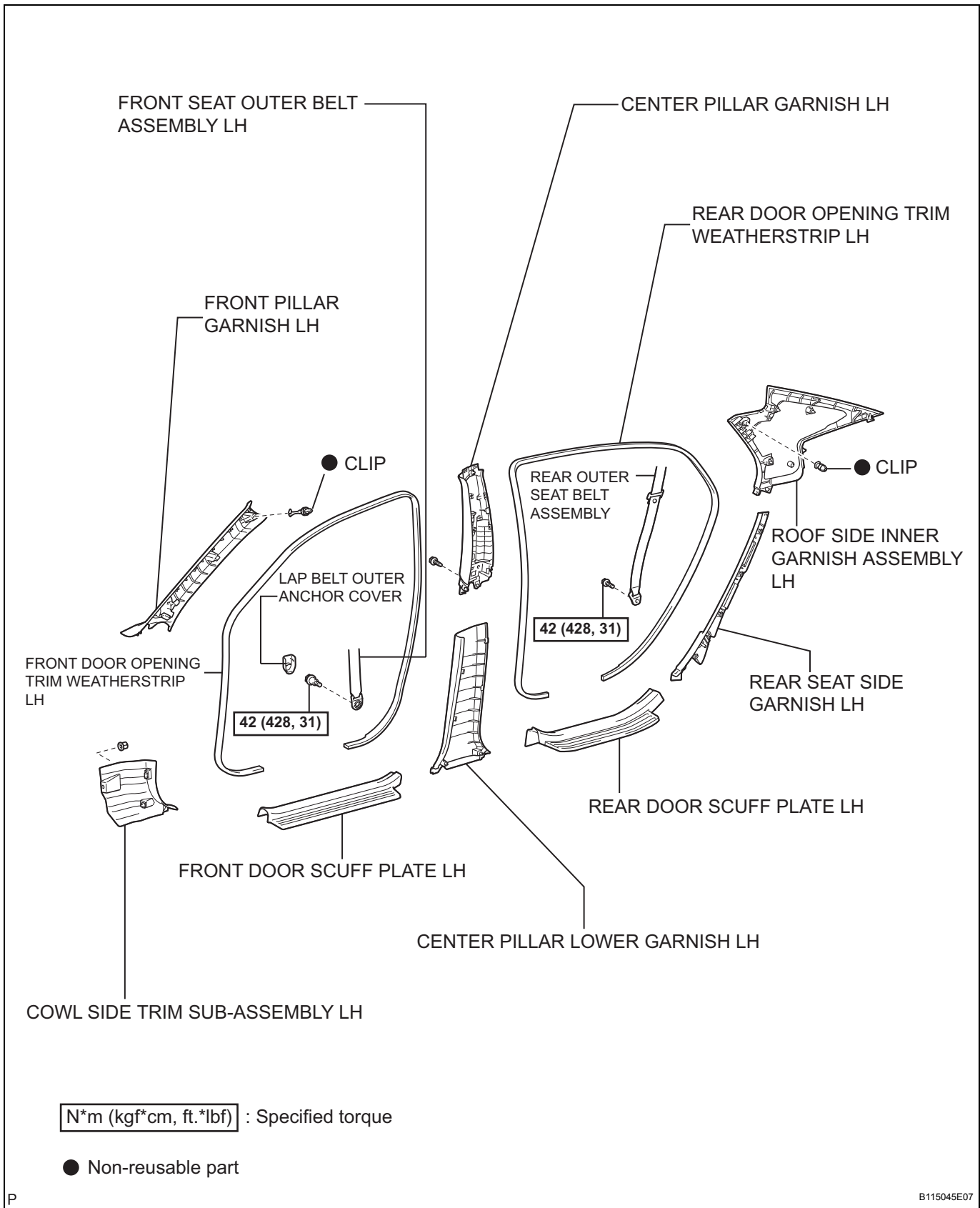


CONSOLE BOX ASSEMBLY

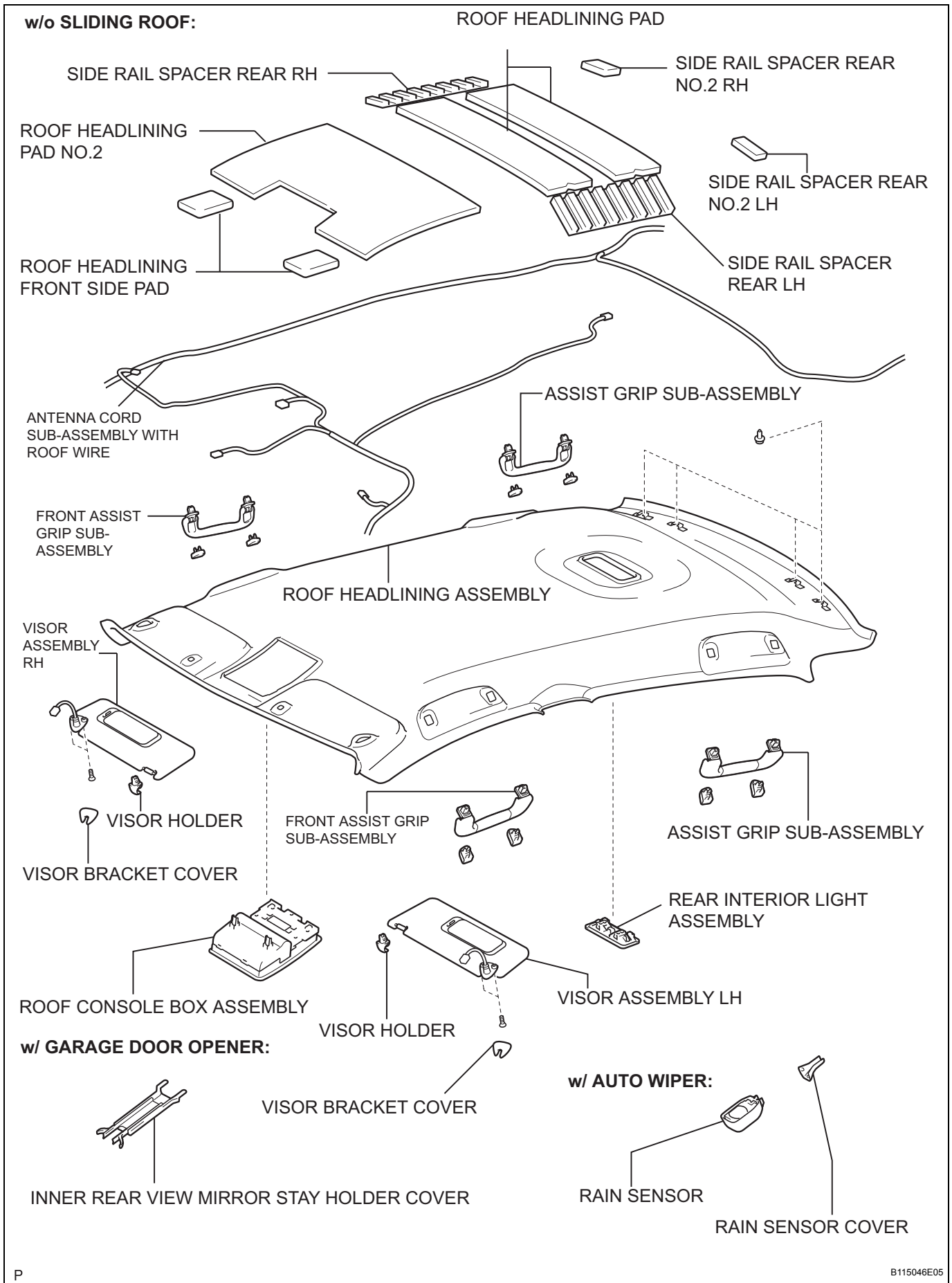
N\*m (kgf\*cm, ft.\*lbf) : Specified torque





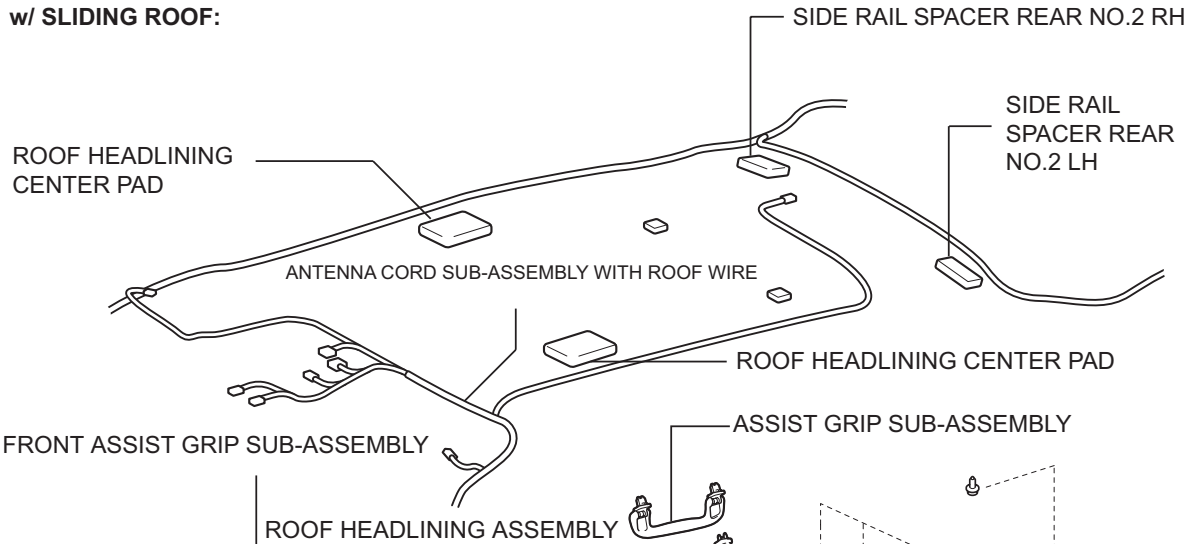


IR



IR

w/ SLIDING ROOF:

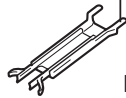


FRONT ASSIST GRIP SUB-ASSEMBLY

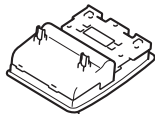
VISOR ASSEMBLY RH

w/ GARAGE DOOR OPENER:

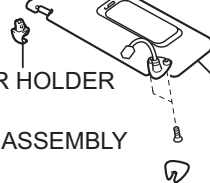
INNER REAR VIEW MIRROR STAY HOLDER COVER



ROOF CONSOLE BOX ASSEMBLY



VISOR HOLDER



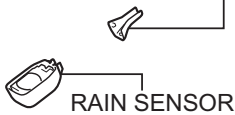
VISOR ASSEMBLY LH



REAR INTERIOR LIGHT ASSEMBLY

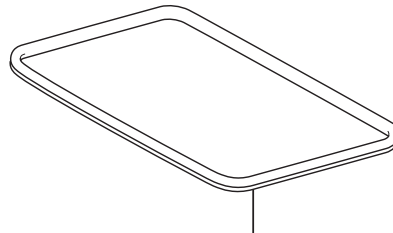
w/ AUTO WIPER:

RAIN SENSOR COVER



RAIN SENSOR

SUN ROOF OPENING TRIM MOULDING



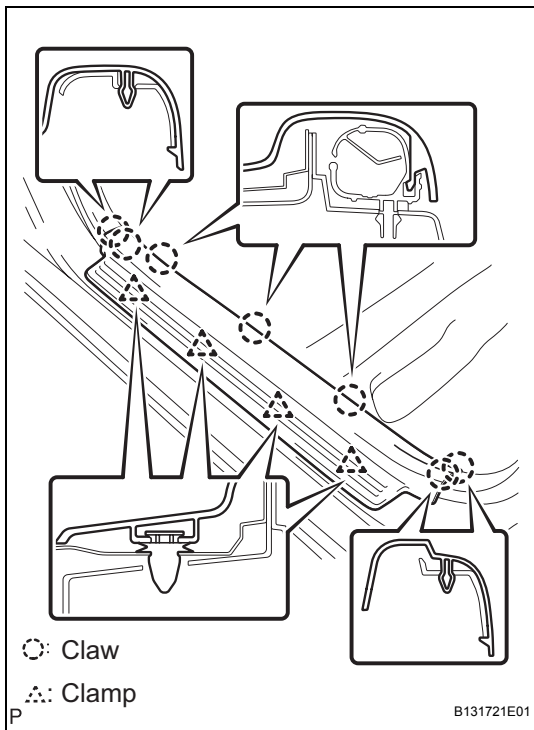
## REMOVAL

1. **DISCONNECT CABLE FROM NEGATIVE BATTERY TERMINAL**
  - (a) Wait for 90 seconds after disconnecting the cable to prevent the airbag working.
2. **REMOVE FRONT SEAT ASSEMBLY LH**

HINT:  
See page [SE-50](#)
3. **REMOVE FRONT SEAT ASSEMBLY RH**

HINT:  
See page [SE-40](#)
4. **REMOVE BENCH TYPE REAR SEAT CUSHION ASSEMBLY (See page [SE-68](#))**
5. **REMOVE REAR SEATBACK ASSEMBLY**

HINT:  
See page [SE-68](#)
6. **REMOVE LOWER NO.2 STEERING WHEEL COVER (See page [RS-304](#))**
7. **REMOVE LOWER NO.3 STEERING WHEEL COVER (See page [RS-304](#))**
8. **REMOVE STEERING PAD (See page [RS-304](#))**
9. **REMOVE STEERING WHEEL ASSEMBLY (See page [SR-36](#))**
10. **REMOVE SHIFT LEVER KNOB SUB-ASSEMBLY (See page [IP-12](#))**
11. **REMOVE POSITION INDICATOR HOUSING ASSEMBLY (See page [IP-12](#))**
12. **REMOVE SEAT HEATER SWITCH (w/ Seat Heater) (See page [IP-12](#))**
13. **REMOVE UPPER CONSOLE PANEL SUB-ASSEMBLY (See page [IP-13](#))**
14. **REMOVE CONSOLE BOX CARPET**
15. **REMOVE CONSOLE BOX ASSEMBLY (See page [IP-13](#))**
16. **REMOVE FRONT CONSOLE BOX (See page [IP-14](#))**
17. **REMOVE FLOOR SHIFT ASSEMBLY (See page [AX-167](#))**



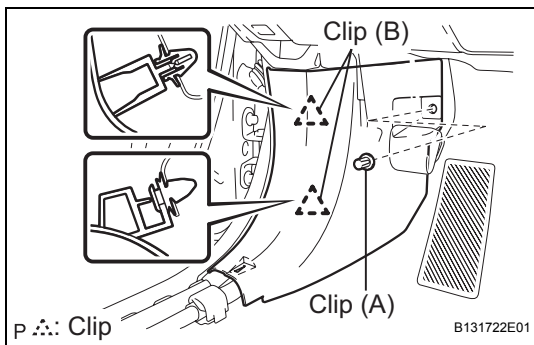
**18. REMOVE FRONT DOOR SCUFF PLATE LH**

(a) Disengage the 4 clips and 7 claws and remove the front door scuff plate LH.

**19. REMOVE FRONT DOOR SCUFF PLATE RH**

HINT:

Removal of the front door scuff plate RH is the same as the front door scuff plate LH.



**20. REMOVE COWL SIDE TRIM SUB-ASSEMBLY LH**

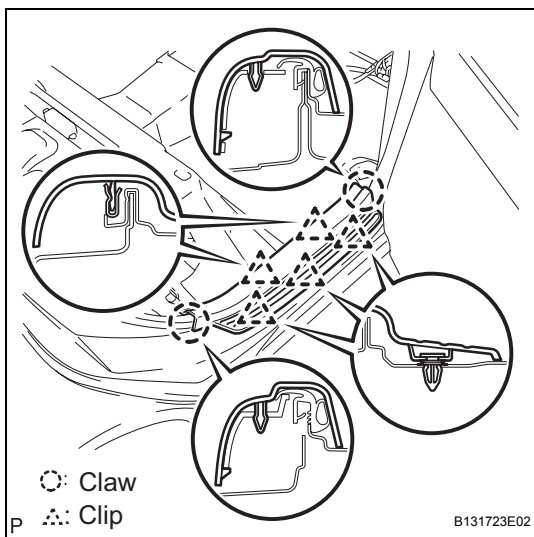
(a) Remove the clip (A).

(b) Disengage the 2 clips (B) and remove the cowl side trim sub-assembly LH.

**21. REMOVE COWL SIDE TRIM SUB-ASSEMBLY RH**

HINT:

Removal of the cowl side trim sub-assembly RH is the same as the cowl side trim sub-assembly LH.



**22. REMOVE REAR DOOR SCUFF PLATE LH**

(a) Disengage the 5 clips and 2 claws and remove the rear door scuff plate LH.

**23. REMOVE REAR DOOR SCUFF PLATE RH**

HINT:

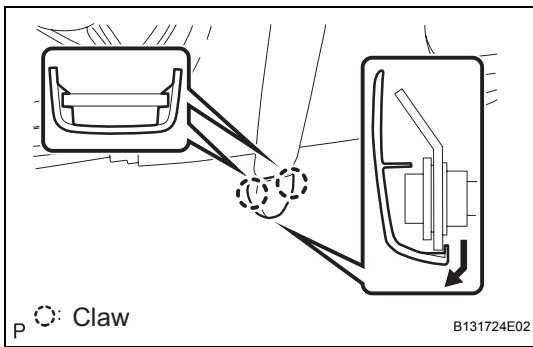
Removal of the rear door scuff plate RH is the same as the rear door scuff plate LH.

**24. REMOVE FRONT DOOR OPENING TRIM WEATHERSTRIP LH**

**25. REMOVE FRONT DOOR OPENING TRIM WEATHERSTRIP RH**

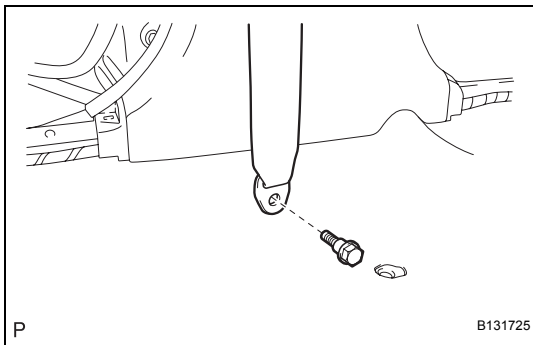
**26. REMOVE REAR DOOR OPENING TRIM WEATHERSTRIP LH**

**27. REMOVE REAR DOOR OPENING TRIM WEATHERSTRIP RH**



**28. REMOVE LAP BELT OUTER ANCHOR COVER**

- (a) Disengage the 2 claws and remove the lap belt outer anchor cover.

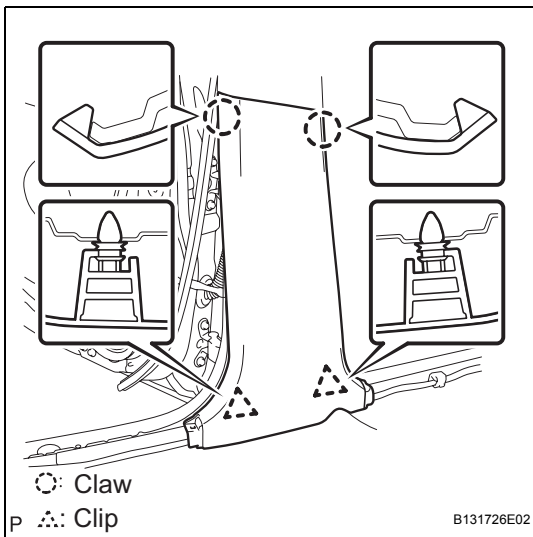


**29. SEPARATE FRONT SEAT OUTER BELT ASSEMBLY LH**

- (a) Remove the bolt.

**30. SEPARATE FRONT SEAT OUTER BELT ASSEMBLY RH**

- HINT:  
Removal of the front seat outer belt assembly RH is the same as the front seat outer belt assembly LH.

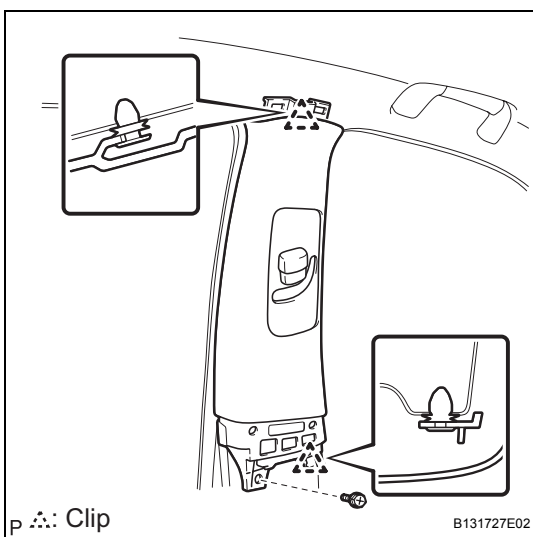


**31. REMOVE CENTER PILLAR LOWER GARNISH LH**

- (a) Disengage the 2 clips and 2 claws and remove the center pillar lower garnish LH.

**32. REMOVE CENTER PILLAR LOWER GARNISH RH**

- HINT:  
Removal of the center pillar lower garnish RH is the same as the center pillar lower garnish LH.

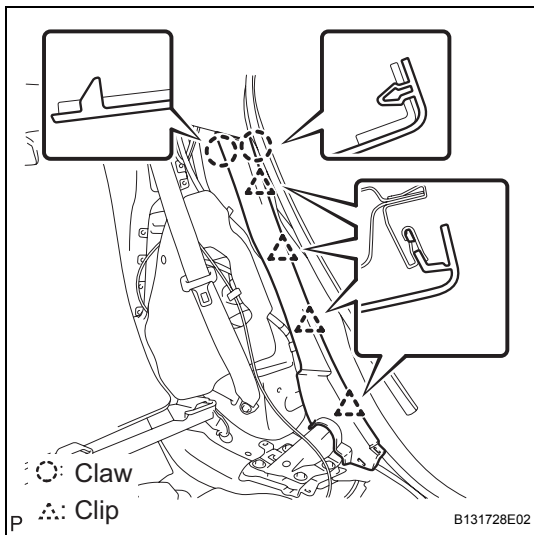


**33. REMOVE CENTER PILLAR GARNISH LH**

- (a) Remove the bolt.
- (b) Disengage the 2 clips and remove the center pillar garnish LH.

**34. REMOVE CENTER PILLAR GARNISH RH**

- HINT:  
Removal of the center pillar garnish RH is the same as the center pillar garnish LH.

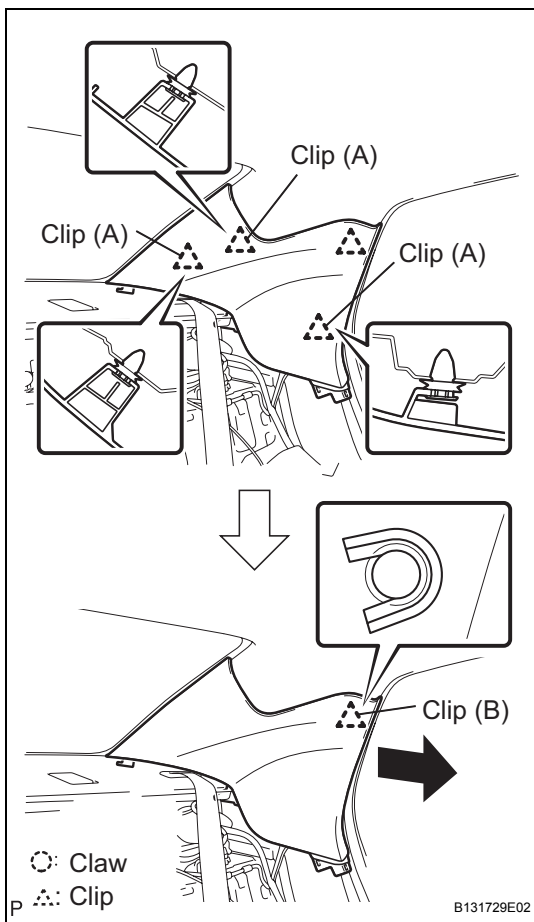
**35. REMOVE REAR SEAT SIDE GARNISH LH**

- (a) Disengage the 4 clips and 2 claws and remove the rear seat side garnish LH.

**36. REMOVE REAR SEAT SIDE GARNISH RH**

HINT:

Removal of the rear seat side garnish RH is the same as the rear seat side garnish LH.

**37. REMOVE ROOF SIDE INNER GARNISH ASSEMBLY LH**

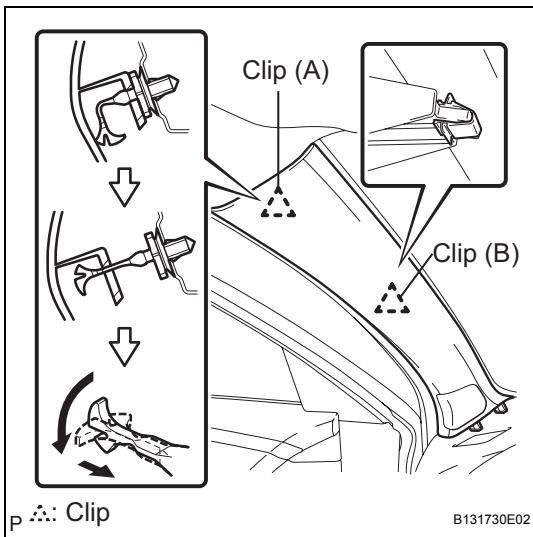
- (a) Disengage the 3 clips (A).  
 (b) Pull the roof side inner garnish assembly LH forward, disengaging from the metal clip (B).  
 (c) Remove the metal clip (B) from the body.

**38. REMOVE ROOF SIDE INNER GARNISH ASSEMBLY RH**

HINT:

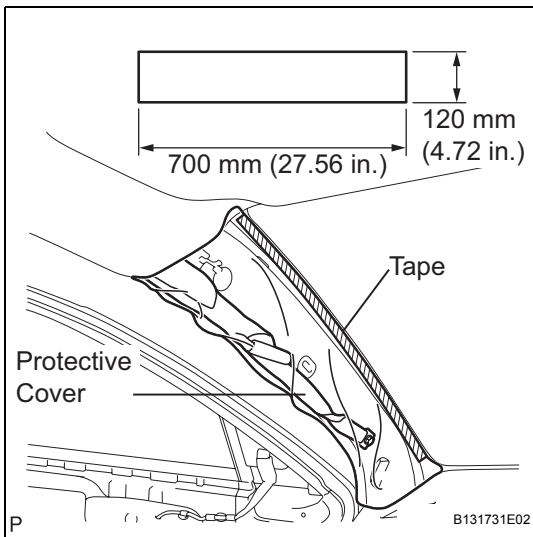
Removal of the roof side inner garnish assembly RH is the same as the roof side inner garnish assembly LH.

**39. SEPARATE REAR OUTER SEAT BELT ASSEMBLY (See page [SB-25](#))****40. SEPARATE REAR SEAT INNER WITH CENTER BELT ASSEMBLY RH (See page [SB-33](#))****41. SEPARATE REAR OUTER SEAT BELT ASSEMBLY (See page [SB-25](#))****42. REMOVE PACKAGE TRAY TRIM PANEL ASSEMBLY (See page [SB-31](#))**



**43. REMOVE FRONT PILLAR GARNISH LH**

- (a) Pull the upper of the garnish towards the inside of the cabin and disengage clips (A) and (B).
- (b) Turn clip (A) 90 degrees with needle-nosed pliers as shown in the illustration and remove it from the front pillar garnish RH.
- HINT:  
If clip A cannot be disengaged easily, cut it off with nippers, etc.
- (c) Remove clip (A) from the front pillar.



- (d) Protect the curtain shield airbag.

**NOTICE:**

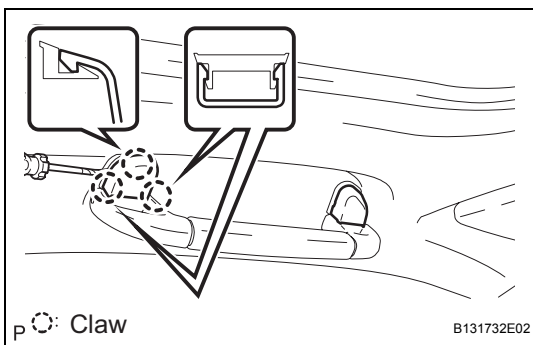
**Cover the curtain shield airbag with the protection cover as soon as the front pillar garnish is removed.**

- (1) Cover the airbag with cloth or nylon of 700 mm (27.56 in.) x 120 mm (4.72 in.) and fix the ends of the cover with tape, as shown in the illustration.

**44. REMOVE FRONT PILLAR GARNISH RH**

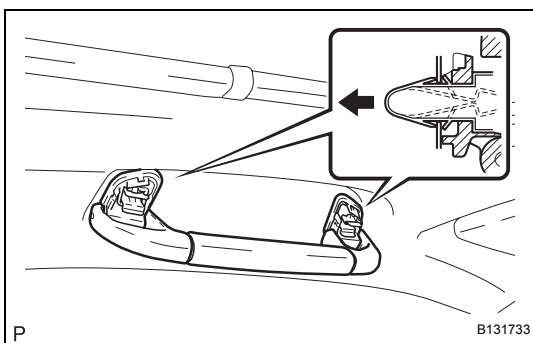
HINT:

Removal of the front pillar garnish RH is the same as the front pillar garnish LH.



**45. REMOVE FRONT ASSIST GRIP SUB-ASSEMBLY**

- (a) Disengage the 3 claws and remove the cover.
- HINT:  
Tape the screwdriver tip before use.



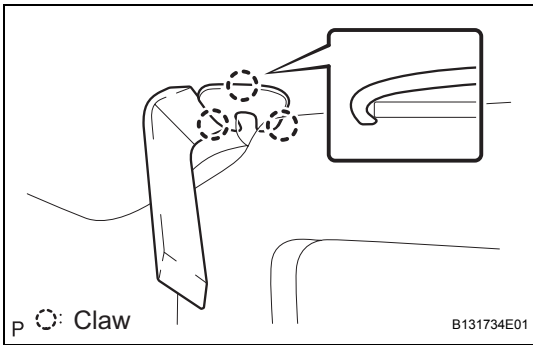
- (b) Slightly push in the clips with your fingers and remove them from the assist grip sub-assembly.
- (c) Remove the clips from the body.

**46. REMOVE ASSIST GRIP SUB-ASSEMBLY**

HINT:

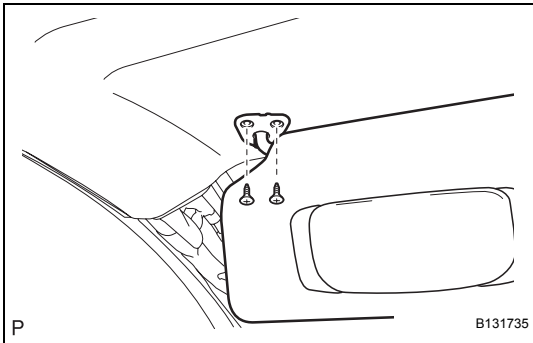
Removal of the assist grip sub-assembly is the same as the assist grip sub-assembly front.





**47. REMOVE VISOR BRACKET COVER**

- (a) Using a moulding remover, disengage the 3 claws and remove the visor bracket cover.



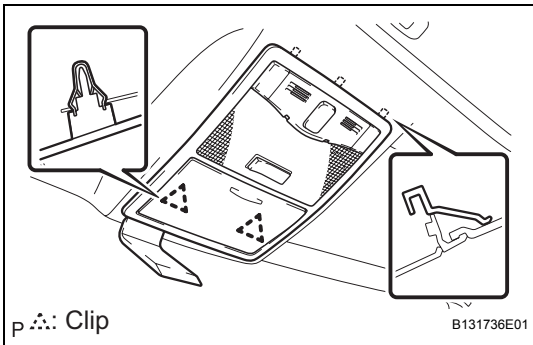
**48. REMOVE VISOR ASSEMBLY LH**

- (a) Remove the 2 screws and the LH visor assembly.

**49. REMOVE VISOR ASSEMBLY RH**

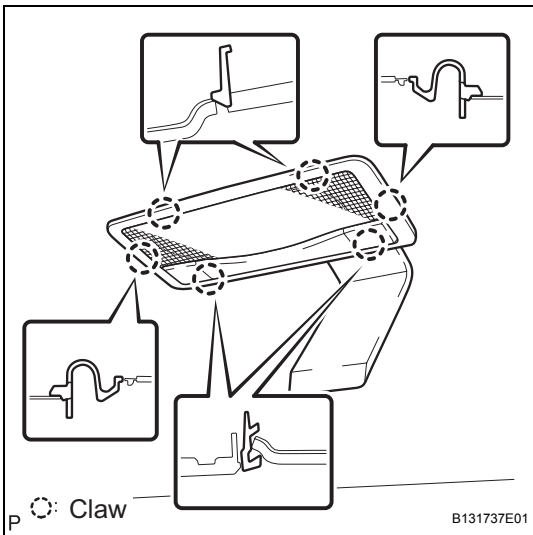
HINT:

Removal of the RH visor assembly is the same as the LH visor assembly.



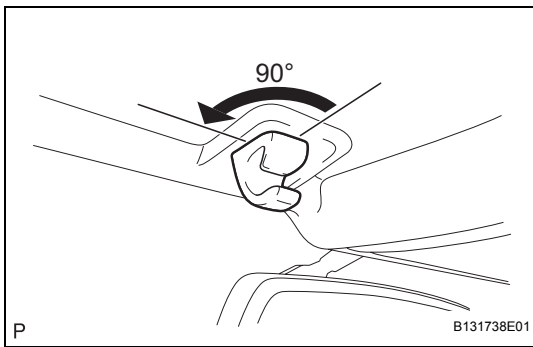
**50. REMOVE ROOF CONSOLE BOX ASSEMBLY**

- (a) Using a moulding remover, disengage the 2 clips and remove the roof console box assembly.



**51. REMOVE REAR INTERIOR LIGHT ASSEMBLY**

- (a) Using a moulding remover, disengage the 6 claws and remove the rear interior light assembly.



**52. REMOVE VISOR HOLDER**

(a) Remove the holder of the sun visor by turning it to the left.

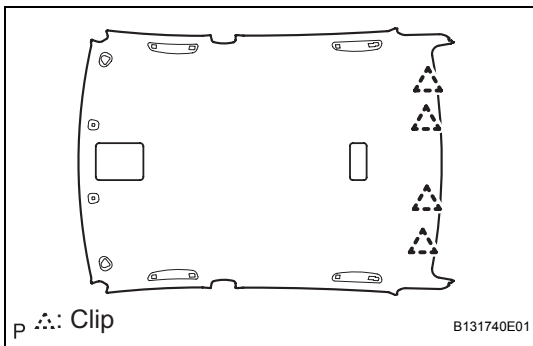
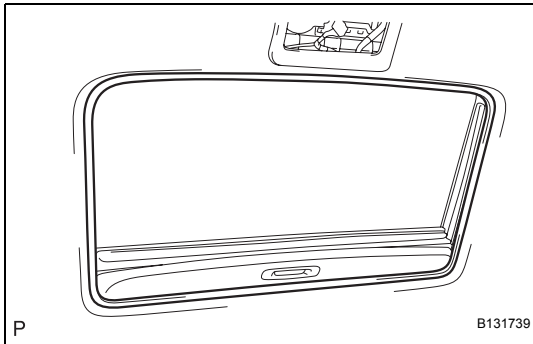
**53. REMOVE INNER REAR VIEW MIRROR STAY HOLDER COVER (W/ Garage Door Opener) (See page MI-35)**

**54. REMOVE RAIN SENSOR COVER (w/ Auto Wiper) (See page WW-52)**

**55. REMOVE RAIN SENSOR (w/ Auto Wiper) (See page WW-52)**

**56. REMOVE SUN ROOF OPENING TRIM MOULDING (w/ Sliding Roof)**

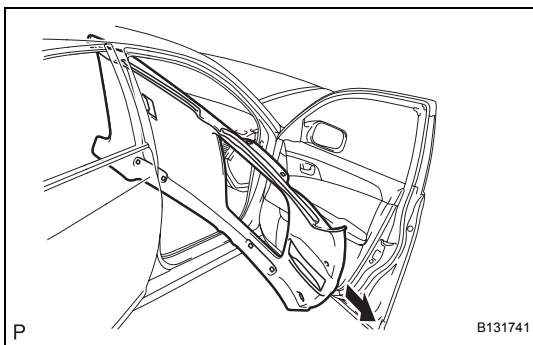
(a) Remove the sun roof opening trim moulding.



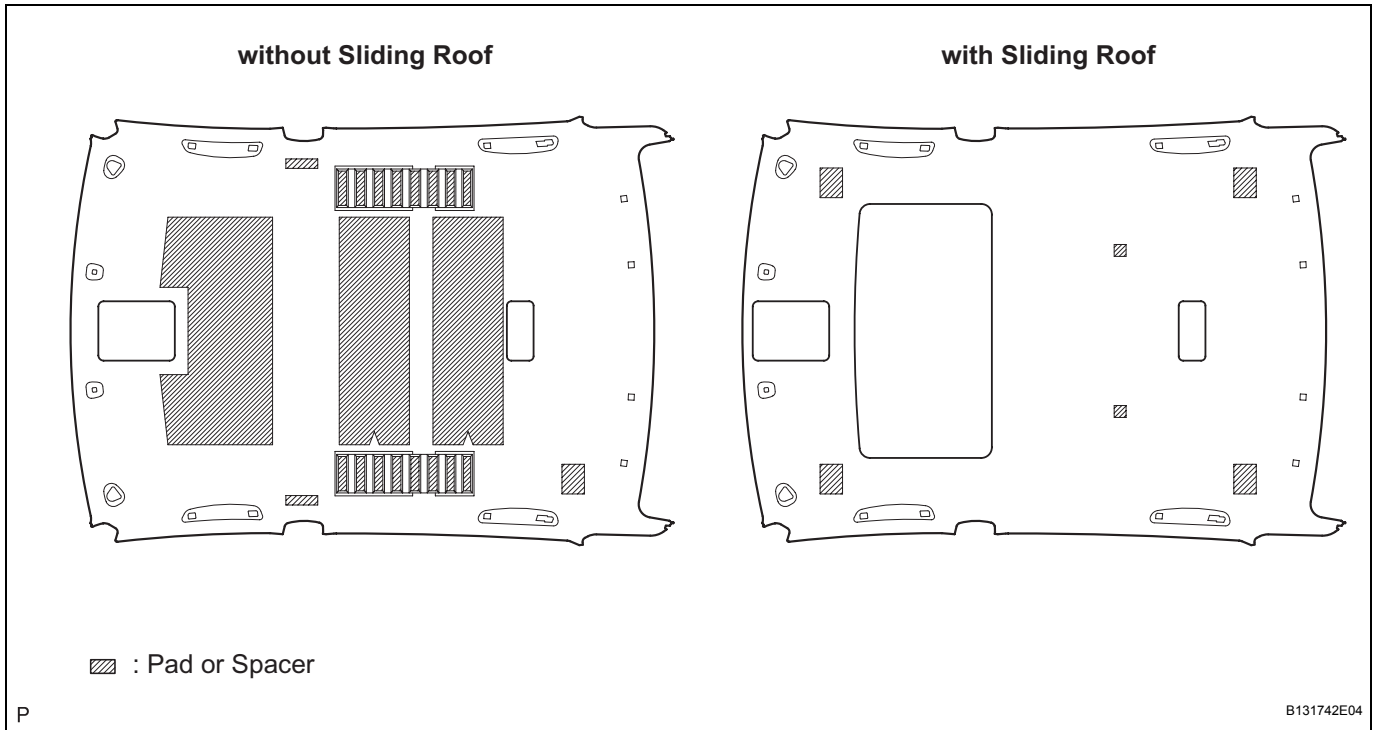
**57. REMOVE ROOF HEADLINING ASSEMBLY**

(a) Disengage the 4 clips.

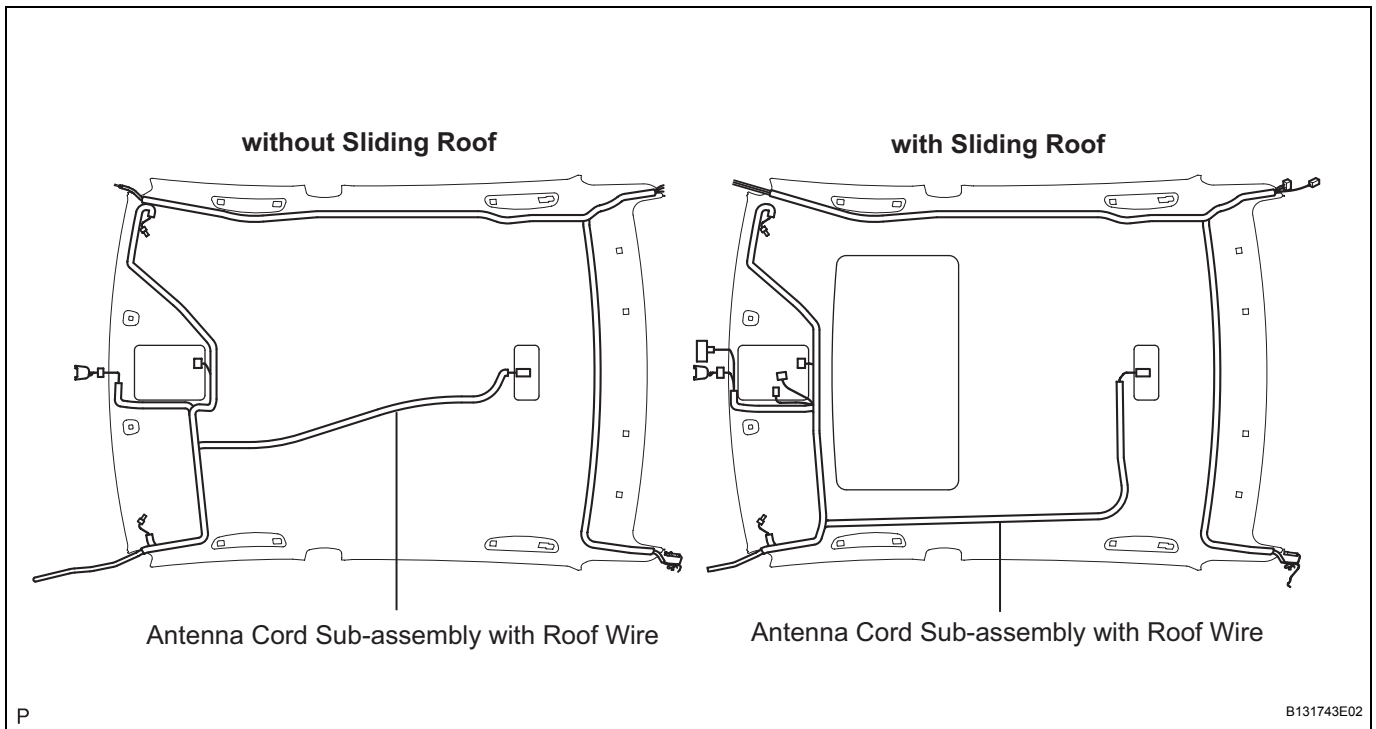
(b) Remove the roof headlining assembly from the passenger's door.

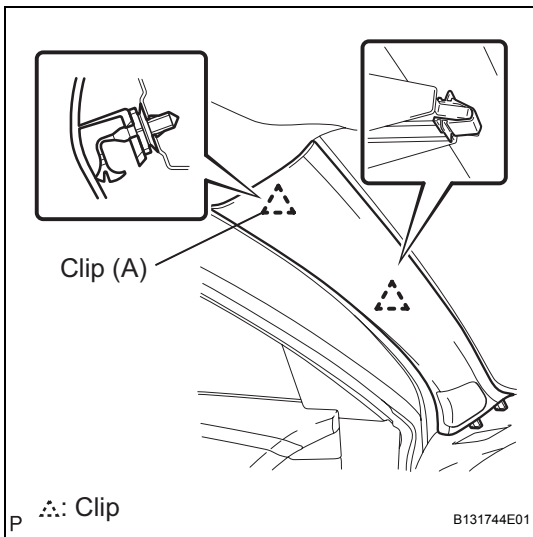


(c) Remove the pad from the roof headlining assembly.



(d) Remove the antenna cord sub-assembly with roof wire.



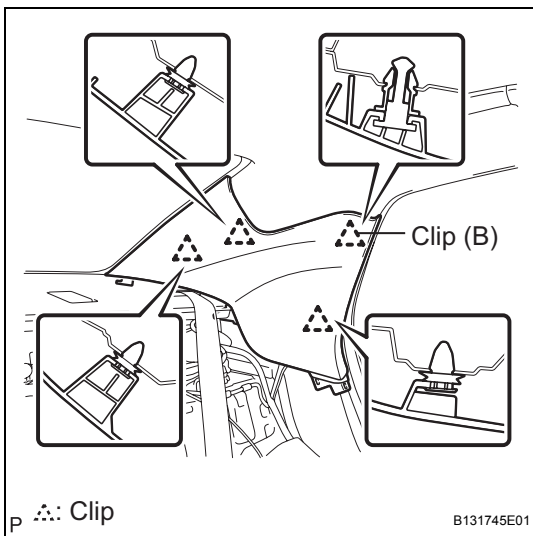


## INSTALLATION

1. **INSTALL FRONT PILLAR GARNISH LH**
  - (a) Install the new clip (A).
  - (b) Engage the 2 clips to install the front pillar garnish LH.
2. **INSTALL FRONT PILLAR GARNISH RH**

HINT:  
Installation of the front pillar garnish RH is the same as the front pillar garnish LH.
3. **INSTALL REAR OUTER SEAT BELT ASSEMBLY (See page SB-25)**
4. **INSTALL REAR SEAT INNER WITH CENTER BELT ASSEMBLY RH (See page SB-33)**
5. **INSTALL REAR OUTER SEAT BELT ASSEMBLY (See page SB-25)**
6. **INSTALL ROOF SIDE GARNISH ASSEMBLY INNER LH**
  - (a) Install the new metal clip (B).
  - (b) Engage the 4 clips to install the roof side garnish assembly inner LH.
7. **INSTALL ROOF SIDE GARNISH ASSEMBLY INNER RH**

HINT:  
Installation of the roof side garnish assembly inner RH is the same as the roof side garnish assembly inner LH.
8. **CENTER SPIRAL CABLE (See page RS-316)**
9. **INSTALL STEERING WHEEL ASSEMBLY (See page SR-46)**
10. **INSTALL HORN BUTTON ASSEMBLY (See page RS-305)**
11. **INSTALL FRONT SEAT OUTER BELT ASSEMBLY RH**
  - (a) Install the front seat outer belt assembly RH with the bolt.  
Torque: 42 N\*m (428 kgf\*cm, 31 ft.\*lbf)
12. **INSTALL FRONT SEAT OUTER BELT ASSEMBLY LH**
  - (a) Install the front seat outer belt assembly LH with the bolt.  
Torque: 42 N\*m (428 kgf\*cm, 31 ft.\*lbf)
13. **INSTALL REAR SEATBACK ASSEMBLY SE-76**
14. **INSTALL FRONT SEAT ASSEMBLY RH (See page SE-42)**
15. **INSTALL FRONT SEAT ASSEMBLY LH (See page SE-63)**
16. **CONNECT CABLE FROM NEGATIVE BATTERY TERMINAL**



**17. PERFORM INITIALIZATION**

- (a) Some systems need initialization when disconnecting the cable from the negative battery terminal.

HINT:

See page [IN-29](#)

**18. INSPECT STEERING PAD**

HINT:

See page [RS-303](#)

**19. INSPECT SRS WARNING LIGHT**

HINT:

See page [RS-28](#)