

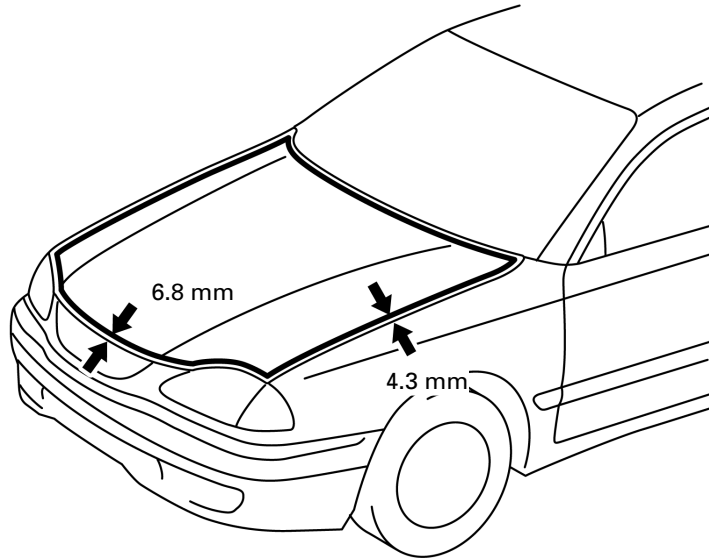
# APPENDIX

	<b>Page</b>
<b>FIT STANDARDS .....</b>	<b>AP-2</b>
<b>SILENCER SHEET INSTALLATION AREAS .....</b>	<b>AP-4</b>

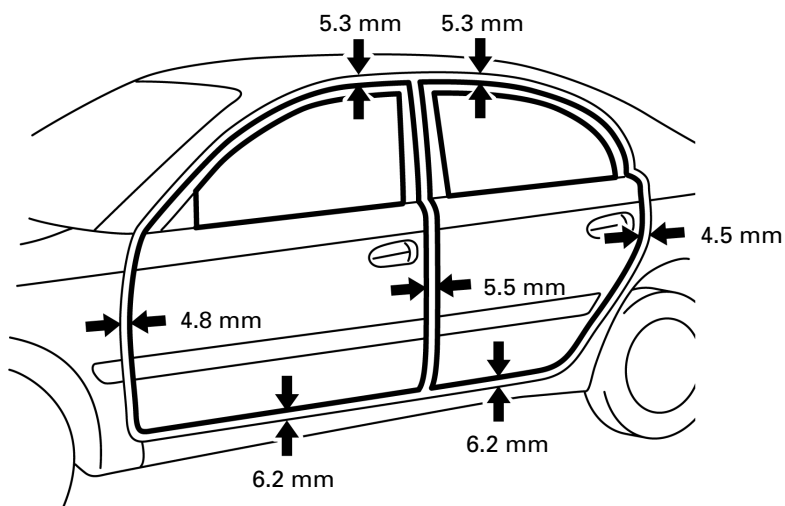
## FIT STANDARDS

After doors and the engine hood are installed, be sure to perform fit adjustment to prevent abnormal wind noise and ensure a good appearance.

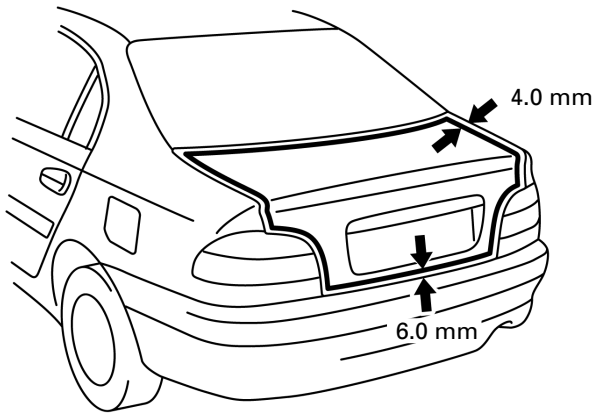
**ALL**



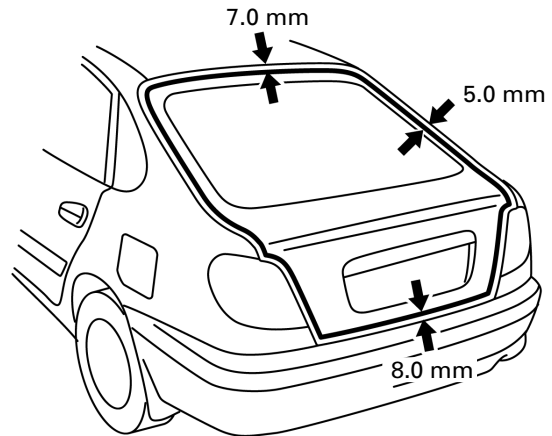
mm	in.
4.3	0.169
4.5	0.177
4.8	0.189
5.3	0.209
5.5	0.217
6.2	0.244
6.8	0.268



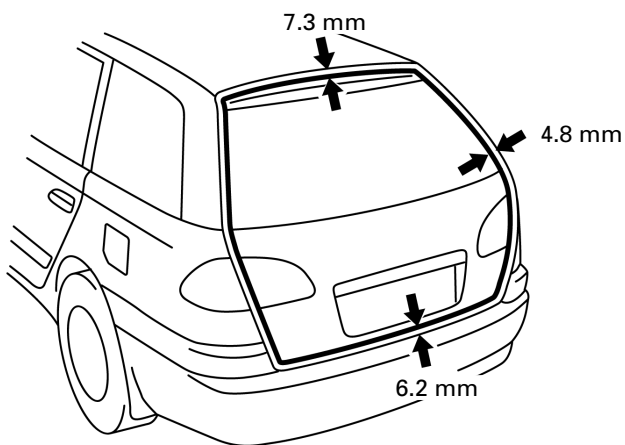
[SEDAN]



[LIFTBACK]







[WAGON]

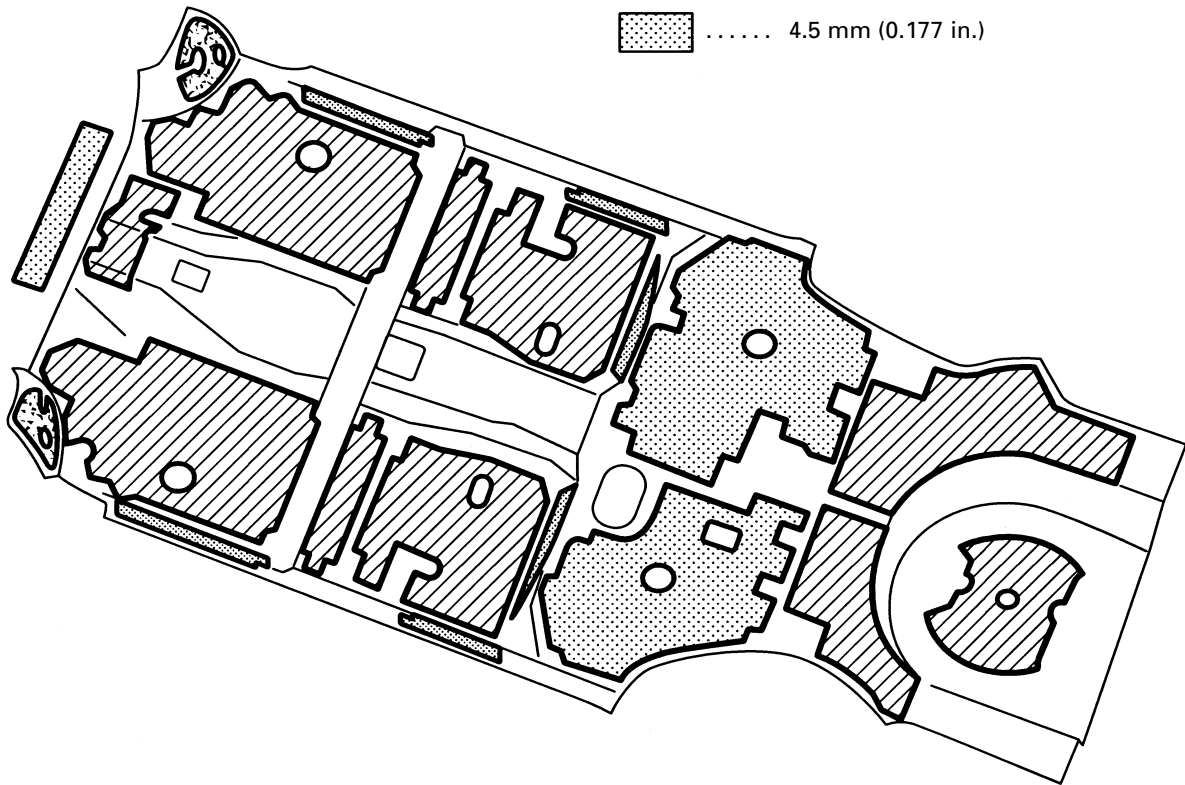


mm	in.
4.0	0.157
4.8	0.189
5.0	0.197
6.0	0.236
6.2	0.244
7.0	0.276
7.3	0.287
8.0	0.315

# SILENCER SHEET INSTALLATION AREAS

Thickness of Asphalt Sheet

-  ..... 2.0 mm (0.079 in.)
-  ..... 2.5 mm (0.098 in.)
-  ..... 3.0 mm (0.118 in.)
-  ..... 4.5 mm (0.177 in.)



- MEMO -

---

