

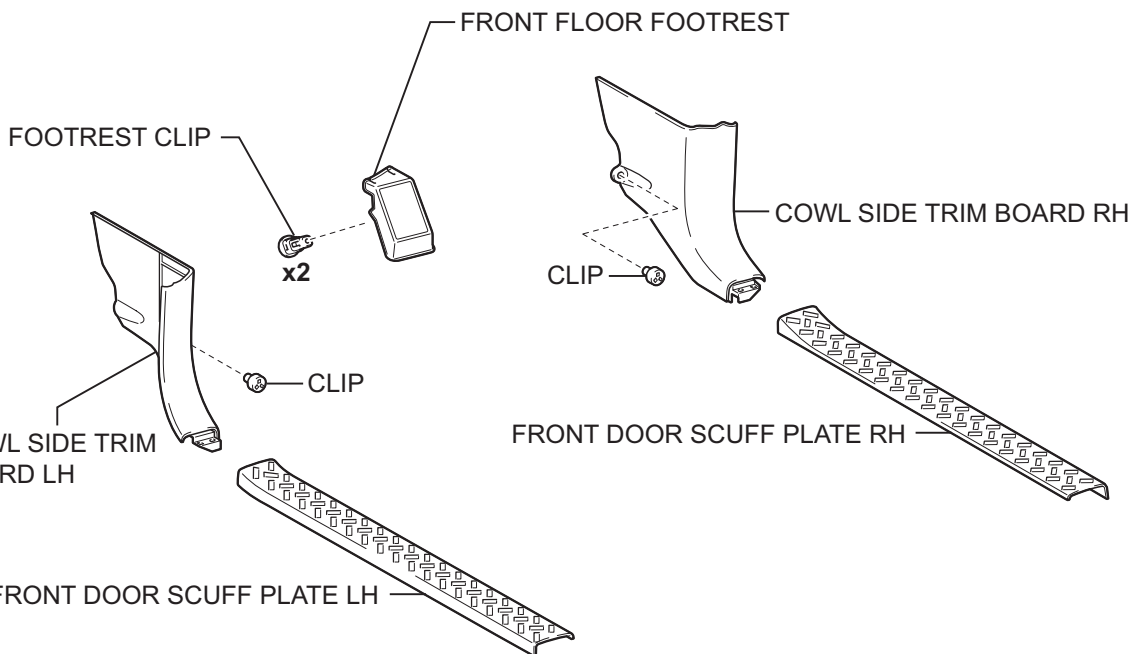
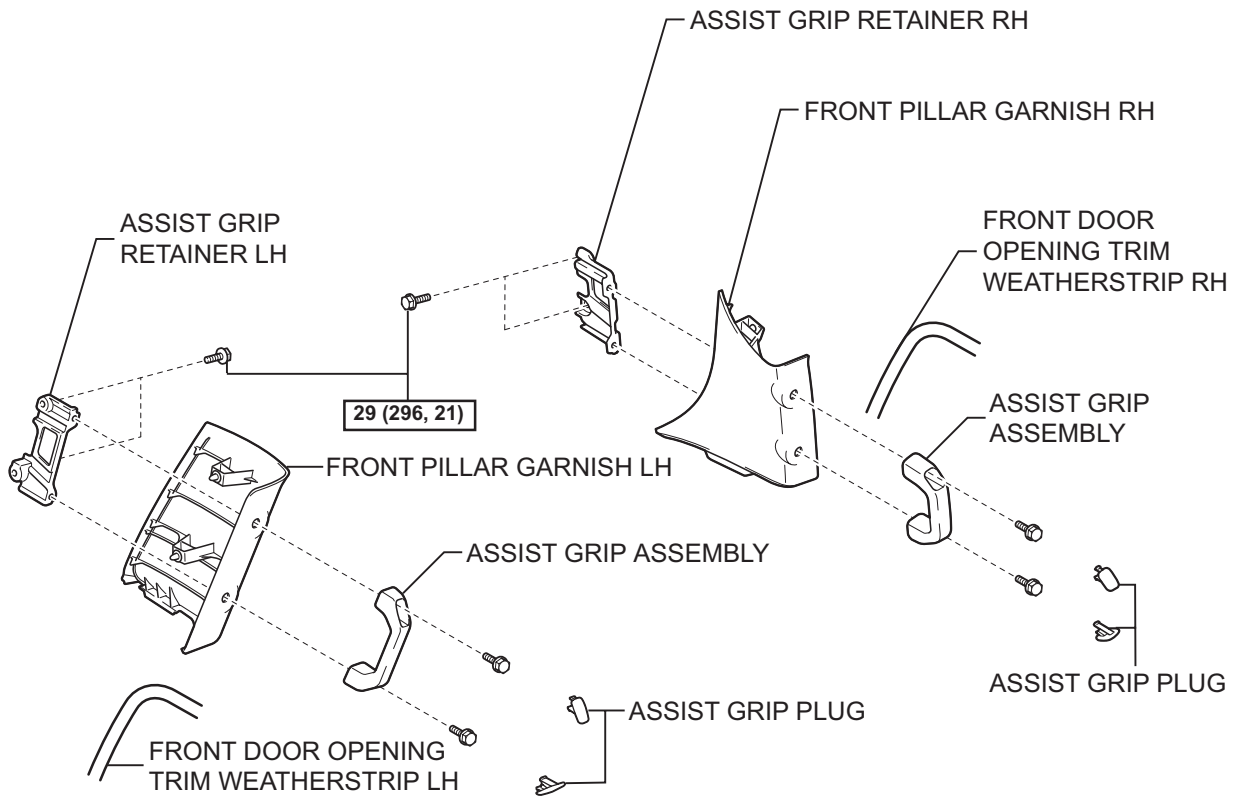
---

# INSTRUMENT PANEL ASSEMBLY

## PRECAUTION

1. **PRECAUTION FOR VEHICLE WITH SRS AIRBAG AND SEAT BELT PRETENSIONER**
  - (a) Some of these operations may affect the SRS airbag system. Read the precautionary notices concerning the SRS airbag system before servicing (See page [RS-1](#)).

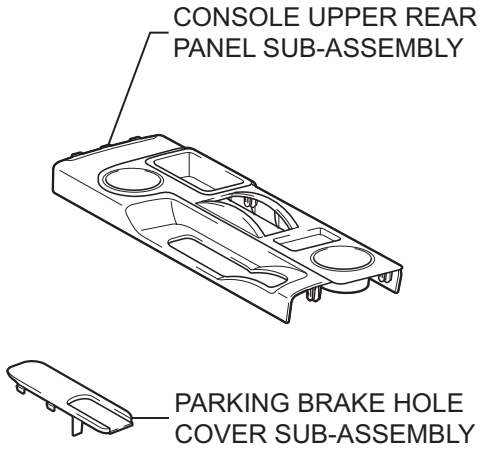
# COMPONENTS



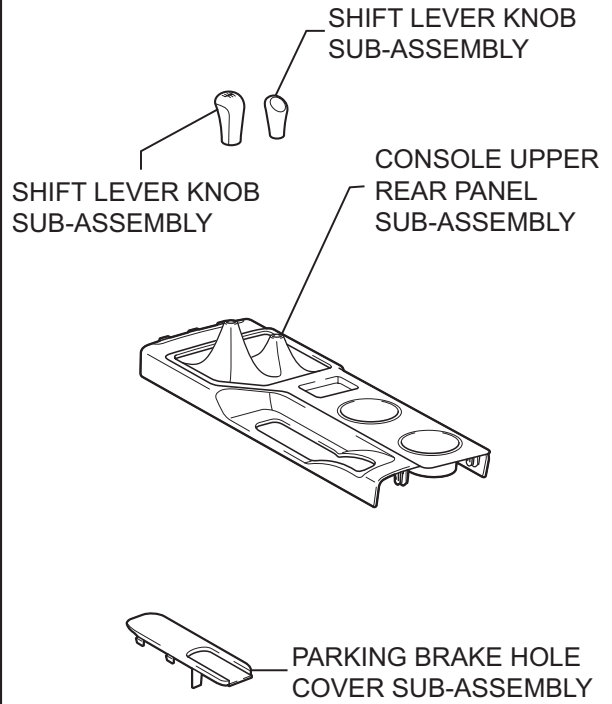
**N\*m (kgf\*cm, ft\*lbf)** : Specified torque



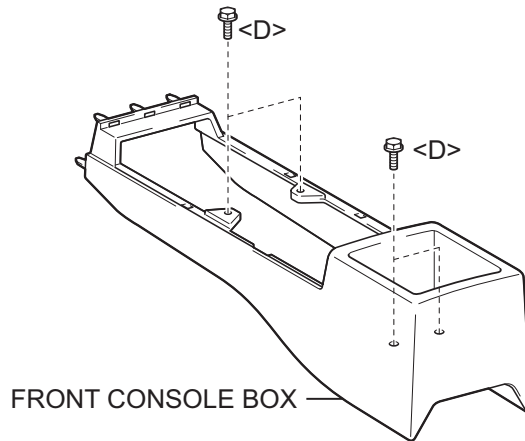
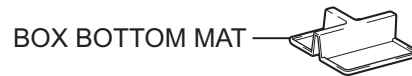
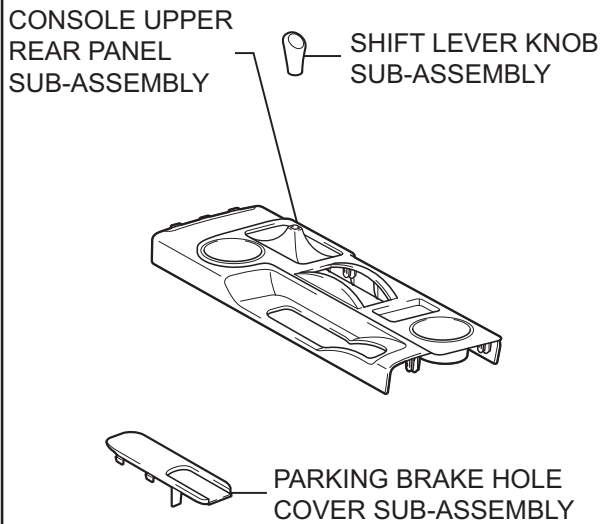
**for Automatic Transmission 2WD:**

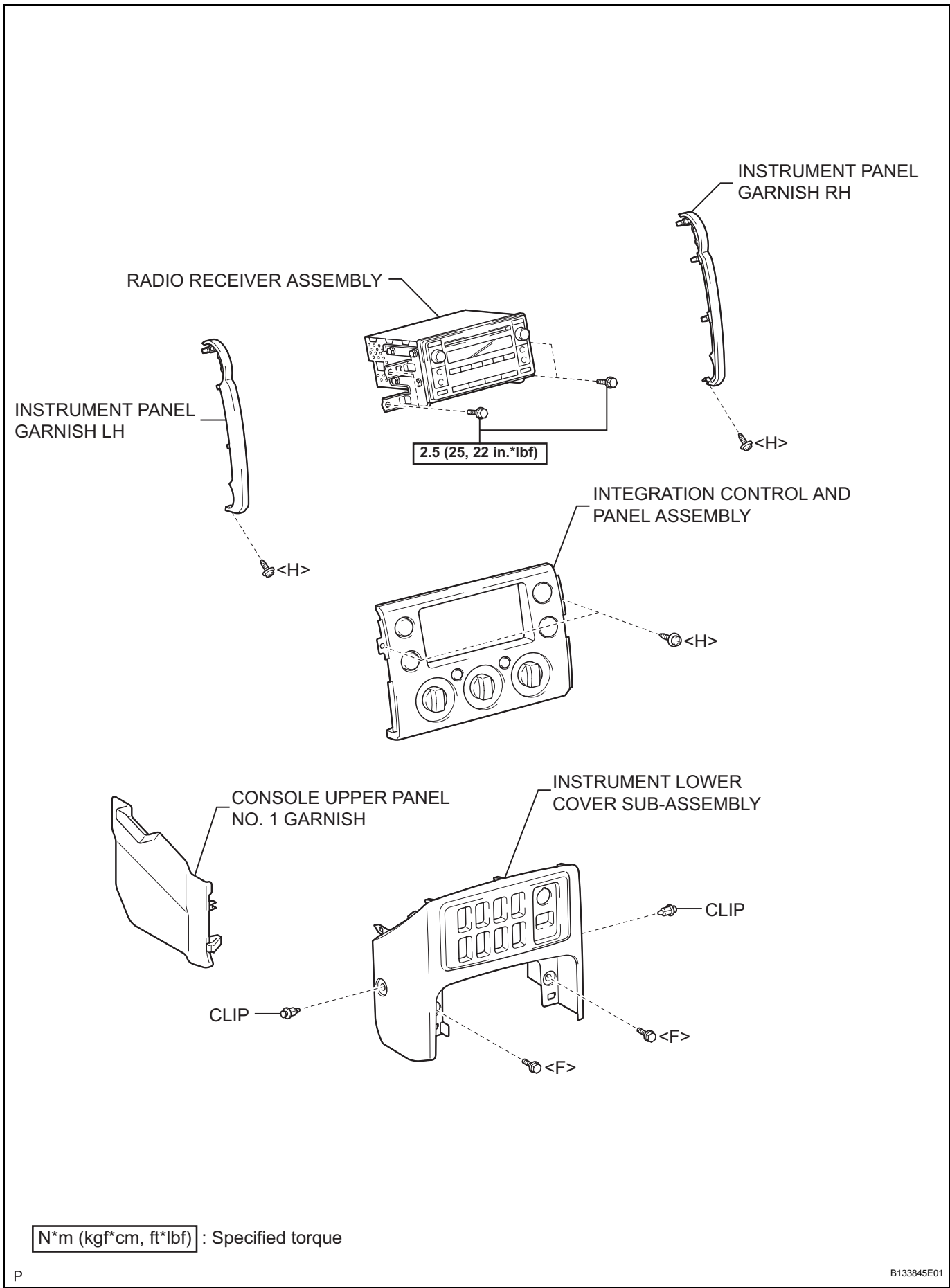


**for Manual Transmission 4WD:**



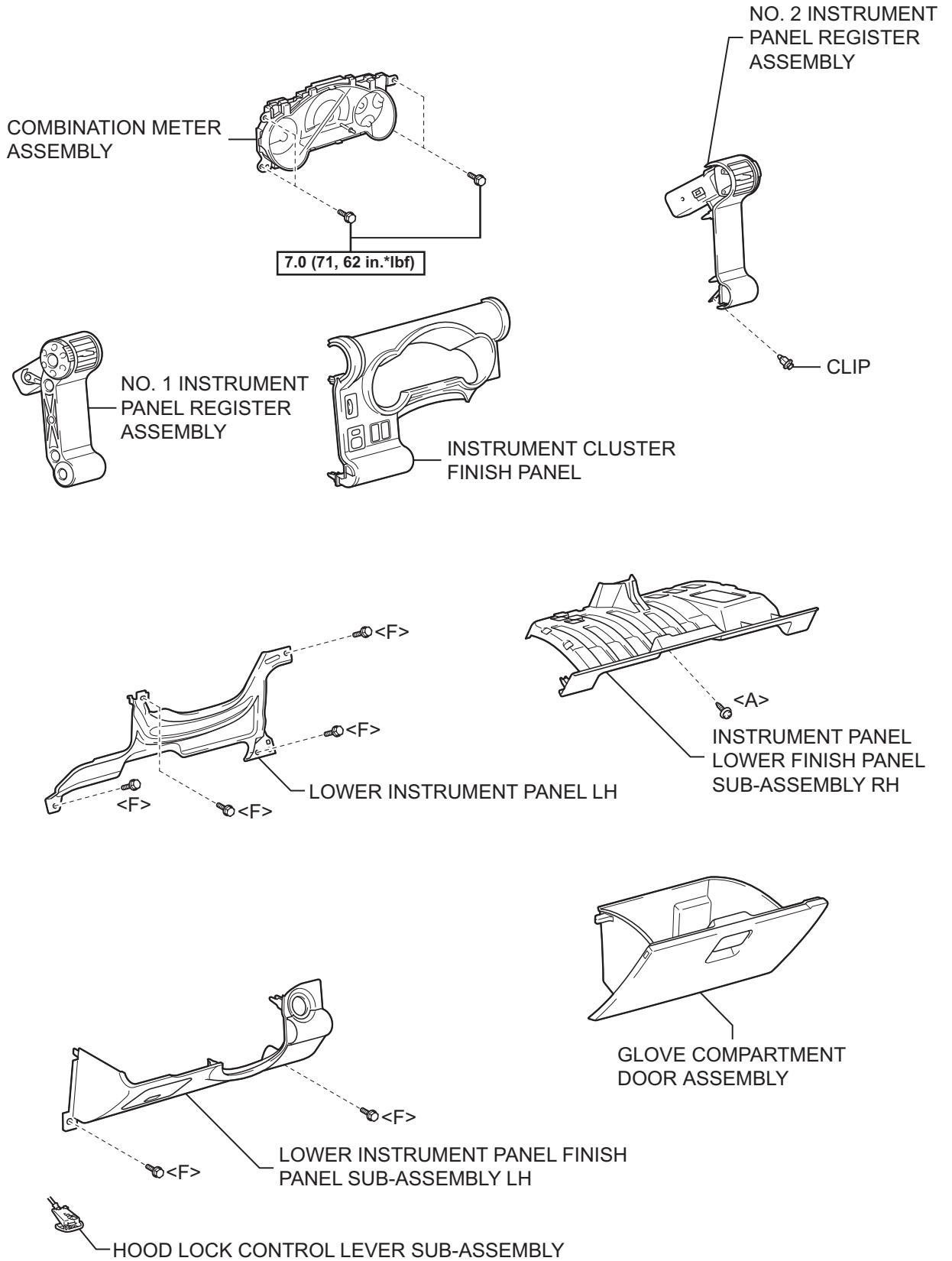
**for Automatic Transmission 4WD:**





**N\*m (kgf\*cm, ft\*lbf)** : Specified torque

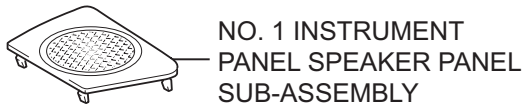
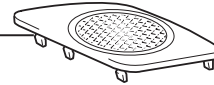
IP



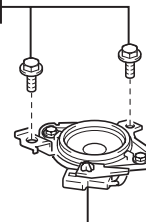
**N\*m (kgf\*cm, ft.\*lbf)** : Specified torque



NO. 2 INSTRUMENT PANEL SPEAKER  
PANEL SUB-ASSEMBLY

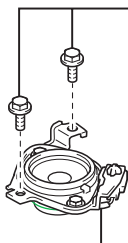


2.5 (25, 22 in.\*lbf)

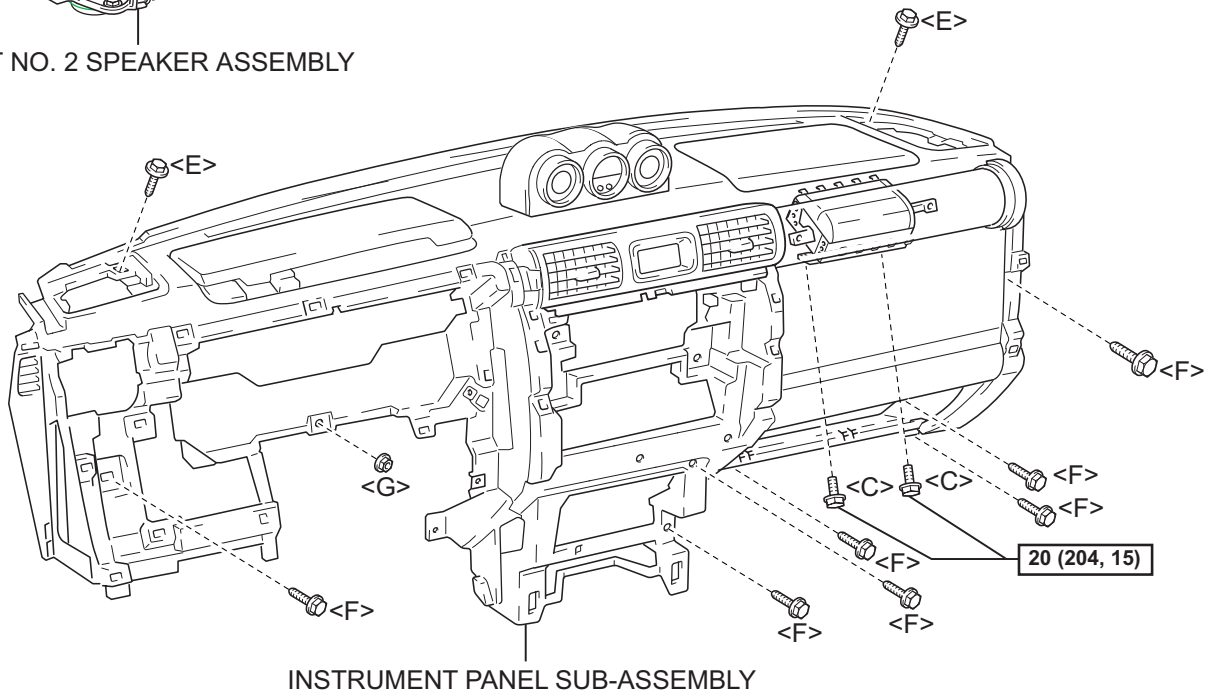


FRONT NO. 2 SPEAKER ASSEMBLY

2.5 (25, 22 in.\*lbf)

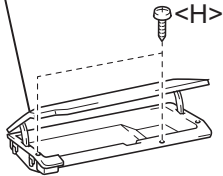


FRONT NO. 2 SPEAKER ASSEMBLY

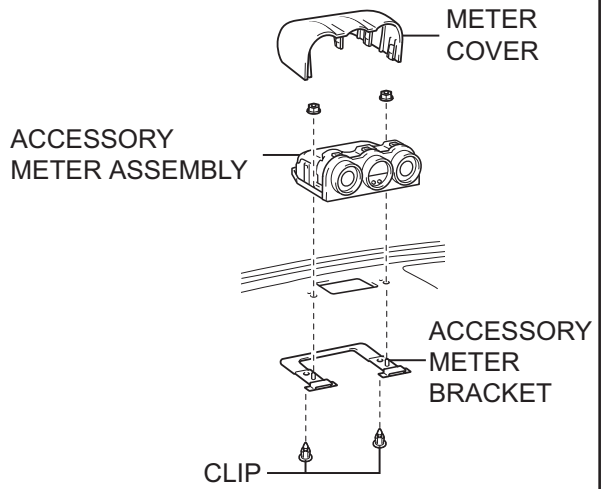


N\*m (kgf\*cm, ft\*lbf) : Specified torque

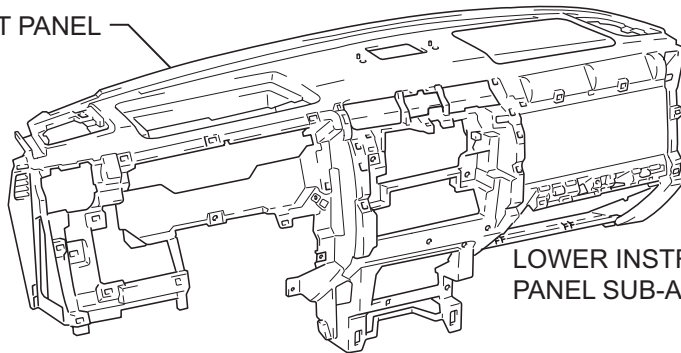
NO. 2 INSTRUMENT  
PANEL BOX DOOR  
SUB-ASSEMBLY



w/ Accessory Meter:

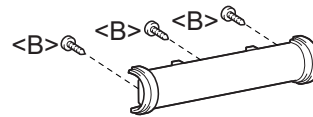


INSTRUMENT PANEL

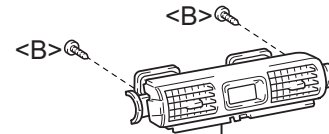


LOWER INSTRUMENT  
PANEL SUB-ASSEMBLY RH

INSTRUMENT  
CLUSTER  
FINISH PANEL  
SUB-ASSEMBLY

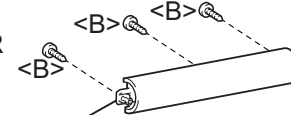


LOWER INSTRUMENT  
PANEL SUB-ASSEMBLY LH

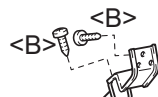


INSTRUMENT CLUSTER CENTER  
FINISH PANEL SUB-ASSEMBLY

INSTRUMENT CLUSTER LOWER CENTER  
FINISH PANEL SUB-ASSEMBLY



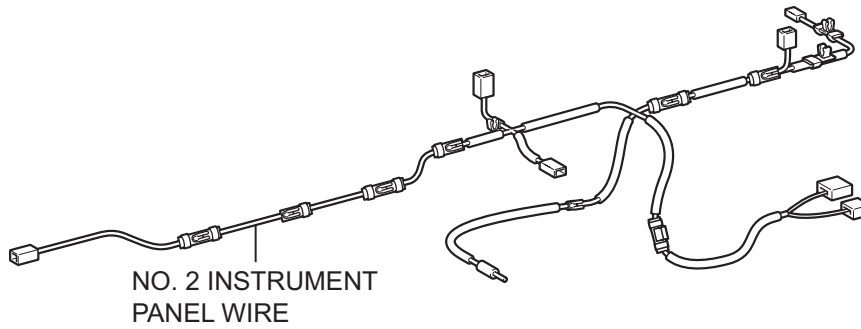
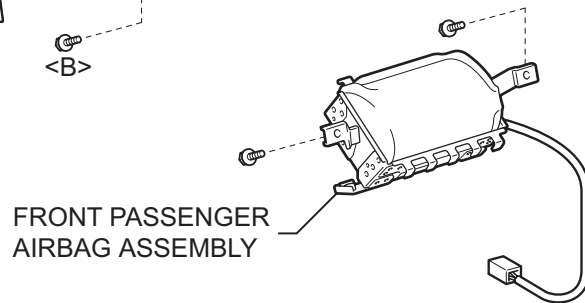
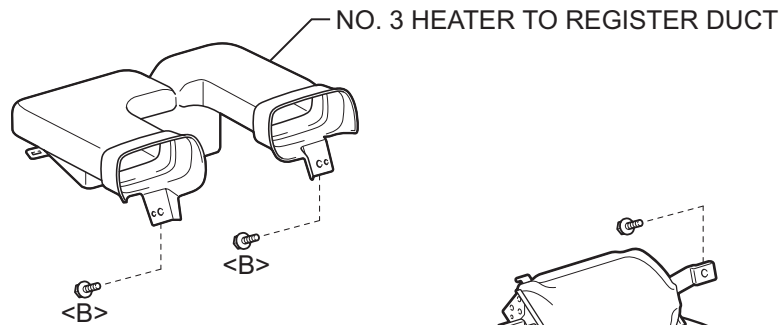
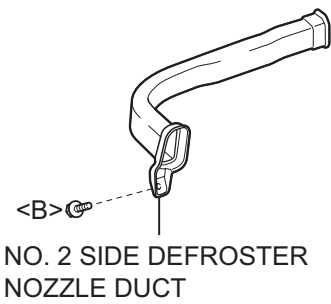
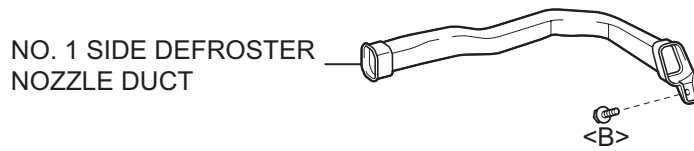
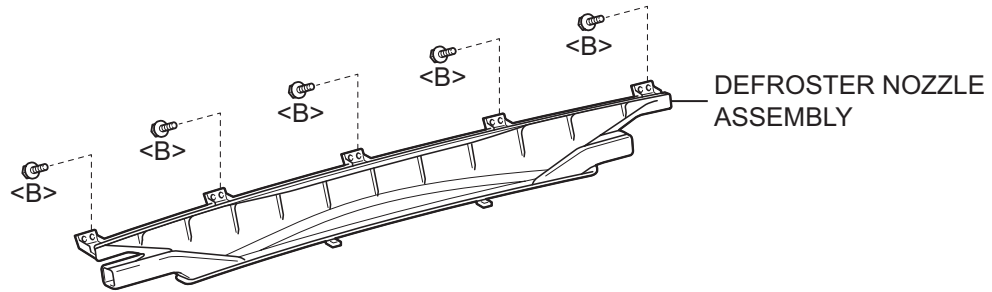
INSTRUMENT PANEL CENTER  
BRACKET SUB-ASSEMBLY



GLOVE COMPARTMENT DOOR  
STOPPER SUB-ASSEMBLY



IP



IP



# REMOVAL

HINT:

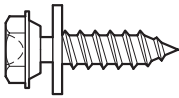
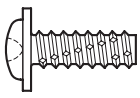
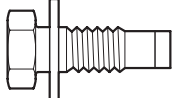
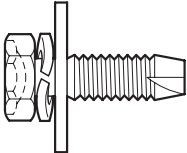
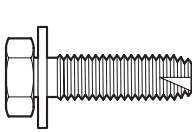
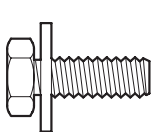
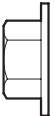
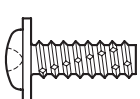
Use the same procedure for both the RH and LH sides.

## 1. BOLTS, SCREWS AND NUTS TABLE

HINT:

All bolts, screws and nuts relevant to installing and removing the instrument panel are shown, along with their alphabetic codes, in the table below.

mm (in.) (L = Length)

Code	Shape	Code	Shape	Code	Shape
<A>	 <p>φ = 5 (0.20) L = 14 (0.55)</p> <p>90159-50287</p>	<B>	 <p>φ = 5 (0.20) L = 14 (0.55)</p> <p>93568-55014</p>	<C>	 <p>φ = 6 (0.24) L = 14 (0.55)</p> <p>90119-08B72</p>
<D>	 <p>φ = 6 (0.24) L = 20 (0.79)</p> <p>90119-06341</p>	<E>	 <p>φ = 6 (0.24) L = 20 (0.79)</p> <p>90119-06906</p>	<F>	 <p>φ = 6 (0.24) L = 20 (0.79)</p> <p>91635-G0618</p>
<G>	 <p>φ = 6 (0.24)</p> <p>94150-80600</p>	<H>	 <p>φ = 5 (0.20) L = 18 (0.71)</p> <p>93568-55018</p>		

P

B133850E01

## 2. DISCONNECT CABLE FROM NEGATIVE BATTERY TERMINAL

Wait for at least 90 seconds after disconnecting the cable to prevent the airbag from working.

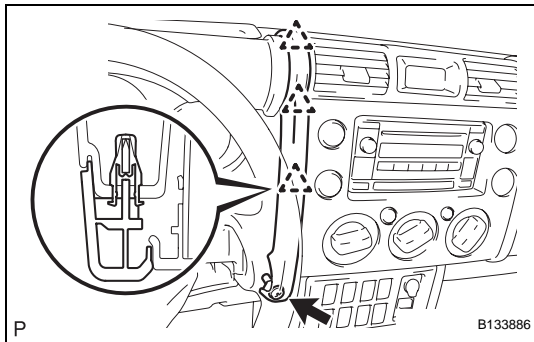
## 3. REMOVE FRONT DOOR SCUFF PLATE RH (See page IR-15)

## 4. REMOVE FRONT DOOR SCUFF PLATE LH (See page IR-15)

## 5. REMOVE FRONT FLOOR FOOTREST (See page IR-2)

## 6. REMOVE FOOTREST CLIP (See page IR-2)

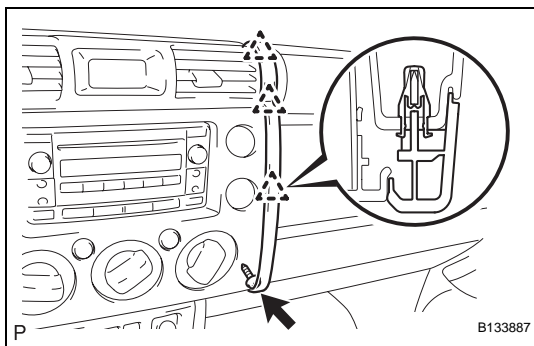
7. REMOVE COWL SIDE TRIM BOARD RH (See page [IR-15](#))
8. REMOVE COWL SIDE TRIM BOARD LH (See page [IR-15](#))
9. SEPARATE FRONT DOOR OPENING TRIM WEATHERSTRIP LH
  - (a) Separate the front door opening trim weatherstrip LH.
10. SEPARATE FRONT DOOR OPENING TRIM WEATHERSTRIP RH
  - (a) Separate the front door opening trim weatherstrip RH.
11. REMOVE ASSIST GRIP PLUG (See page [IR-17](#))
12. REMOVE ASSIST GRIP ASSEMBLY (See page [IR-17](#))
13. REMOVE FRONT PILLAR GARNISH RH (See page [IR-18](#))
14. REMOVE FRONT PILLAR GARNISH LH (See page [IR-18](#))



15. REMOVE INSTRUMENT PANEL GARNISH LH
  - (a) Remove screw <H>.
  - (b) Disengage the 3 clips and remove the instrument panel garnish.

**NOTICE:**

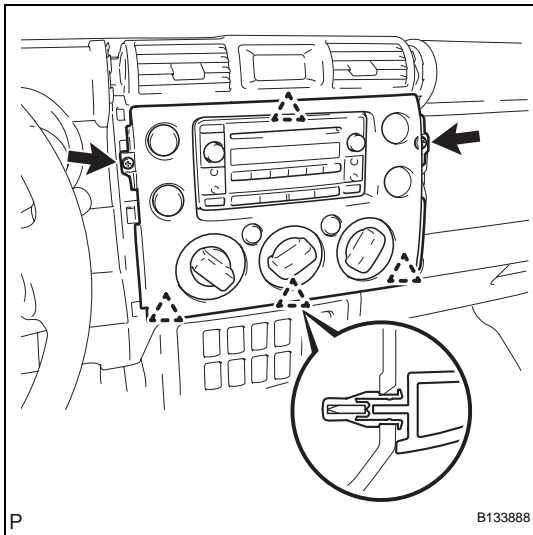
  - Pull the instrument panel garnish up at an angle of 45° to remove it.
  - Do not damage the surface of the instrument panel when removing it.



16. REMOVE INSTRUMENT PANEL GARNISH RH
  - (a) Remove screw <H>.
  - (b) Disengage the 3 clips and remove the instrument panel garnish.

**NOTICE:**

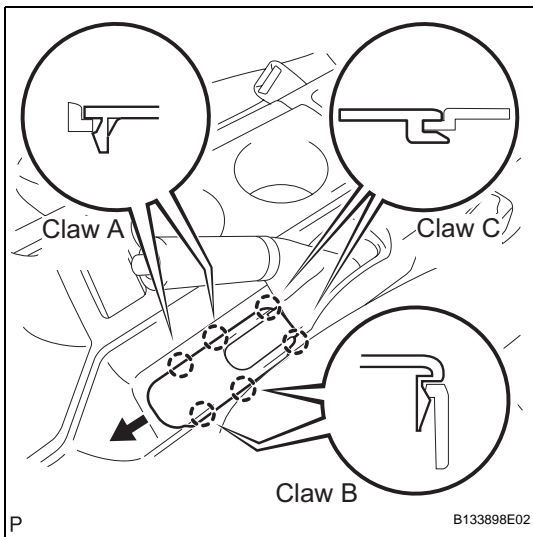
  - Pull the instrument panel garnish up at an angle of 45° to remove it.
  - Do not damage the surface of the instrument panel when removing it.



**17. REMOVE INTEGRATION CONTROL AND PANEL ASSEMBLY**

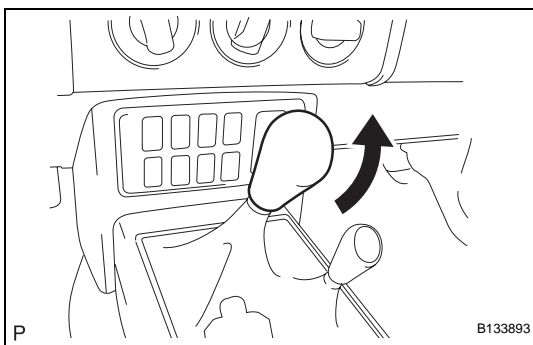
- (a) Remove the 2 <H> screws.
- (b) Disengage the 4 clips and remove the integration control panel assembly.
- (c) Disconnect the 3 connectors.

**18. REMOVE RADIO RECEIVER ASSEMBLY (See page AV-55)**



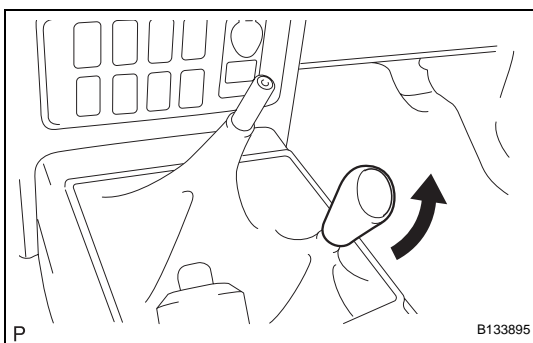
**19. REMOVE PARKING BRAKE HOLE COVER SUB-ASSEMBLY**

- (a) Disengage the 2 A claws and 2 B claws.
- (b) Slide the parking brake hole cover toward the front of the vehicle, disengage the 2 C claws and remove the parking brake hole cover.



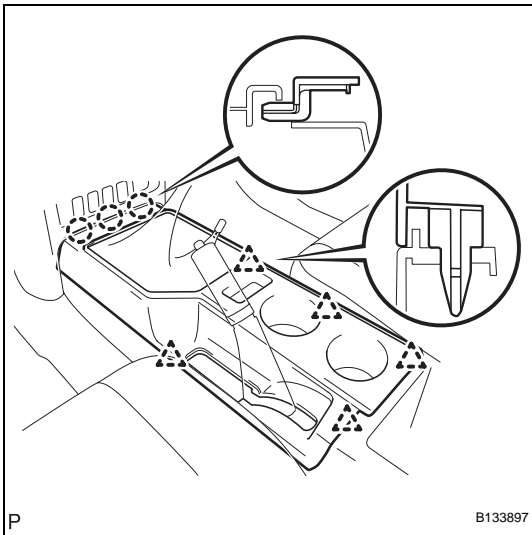
**20. REMOVE SHIFT LEVER KNOB SUB-ASSEMBLY (for Manual Transmission)**

- (a) Remove the shift lever knob.



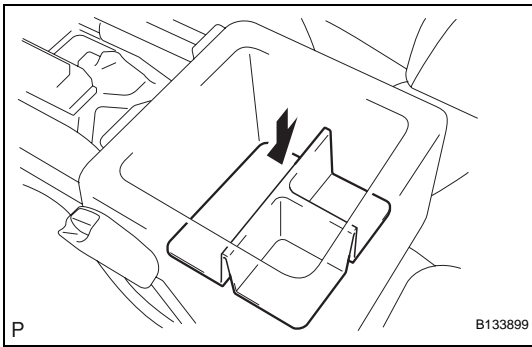
**21. REMOVE SHIFT LEVER KNOB SUB-ASSEMBLY (for 4WD)**

- (a) Remove the shift lever knob.



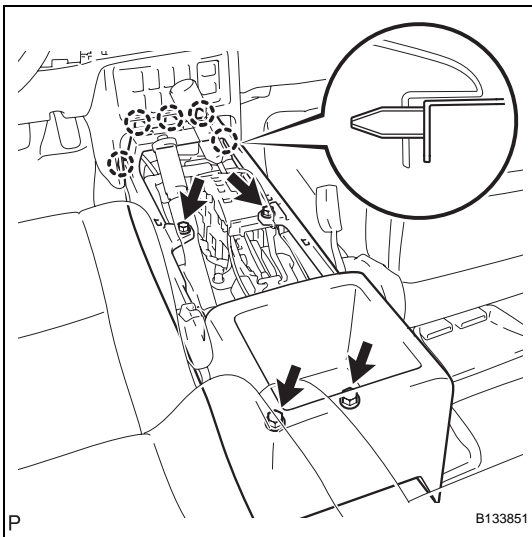
## 22. REMOVE CONSOLE UPPER REAR PANEL SUB-ASSEMBLY

- (a) Shift the shift lever into the N position.
- (b) Disengage the 5 clips and 3 claws and remove the console upper rear panel.



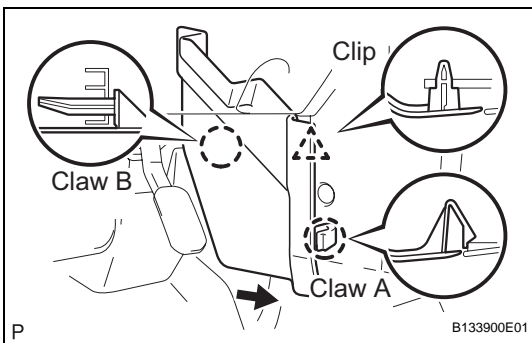
## 23. REMOVE BOX BOTTOM MAT

- (a) Remove the box bottom mat.



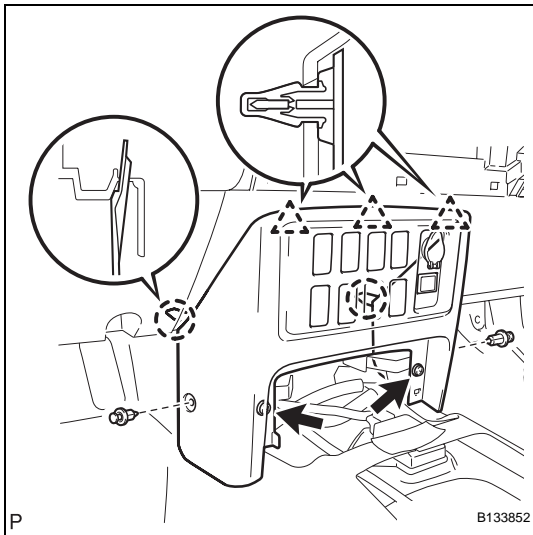
## 24. REMOVE FRONT CONSOLE BOX

- (a) Remove the 4 <D> bolts.
- (b) Disengage the 5 claws and remove the console box.



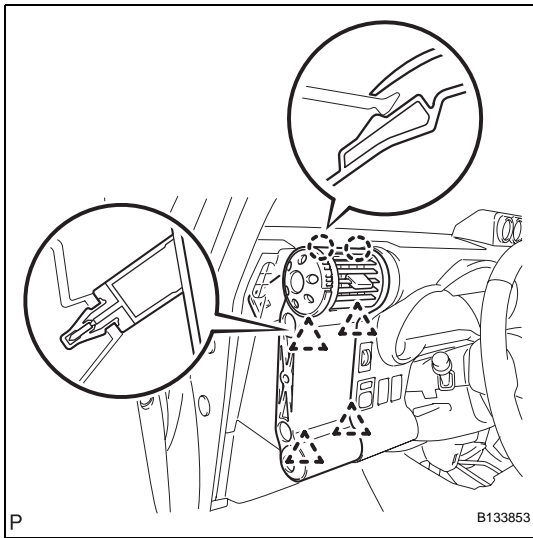
## 25. REMOVE CONSOLE UPPER PANEL NO. 1 GARNISH

- (a) Disengage claw A and the clip.
- (b) Slide the console upper panel garnish toward the rear of the vehicle, disengage the claw B and remove the console upper panel garnish.



## 26. REMOVE INSTRUMENT LOWER COVER SUB-ASSEMBLY

- (a) Remove the 2 clips and 2 <F> bolts.
- (b) Disengage the 3 clips and 2 claws and remove the instrument lower cover.

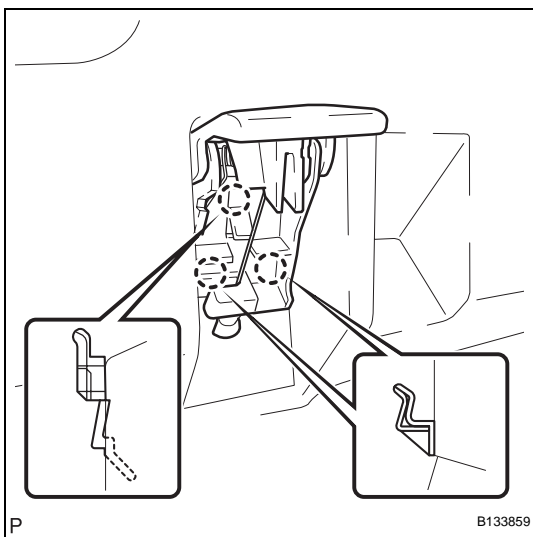


## 27. REMOVE NO. 1 INSTRUMENT PANEL REGISTER ASSEMBLY

- (a) Disengage the 4 clips and 2 claws and remove the instrument panel register.

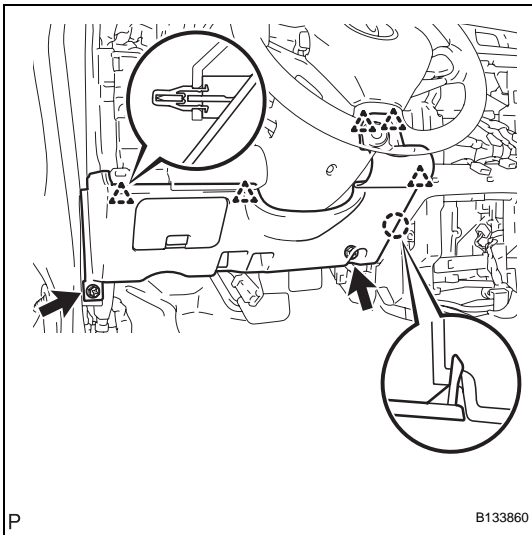
### NOTICE:

- To avoid breakage of the register, remove the instrument panel register with the shut damper of the register open.
- Pull the instrument panel register up diagonally to remove it.



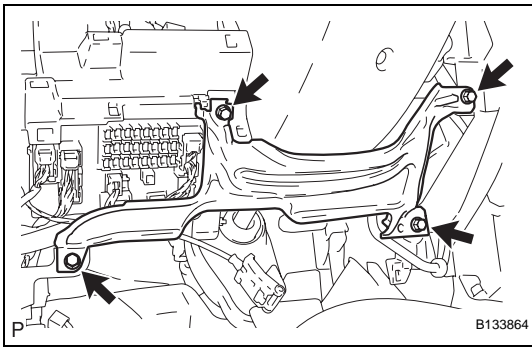
## 28. SEPARATE HOOD LOCK CONTROL LEVER SUB-ASSEMBLY

- (a) Disengage the 3 claws and separate the hood lock control lever.



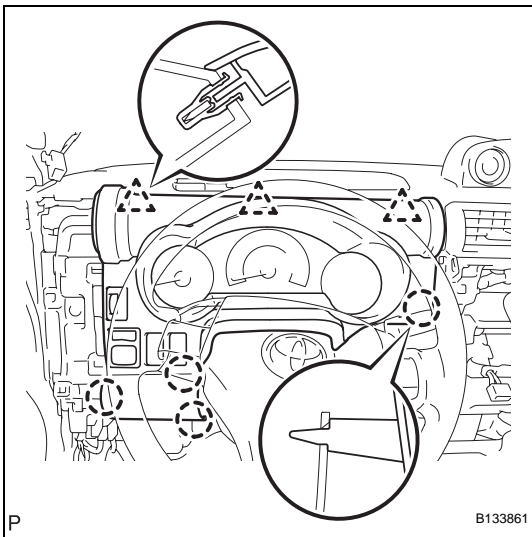
### 29. REMOVE LOWER INSTRUMENT PANEL FINISH PANEL SUB-ASSEMBLY LH

- (a) Remove the 2 <F> bolts.
- (b) Disengage the 5 clips and claw and remove the lower instrument panel finish panel.



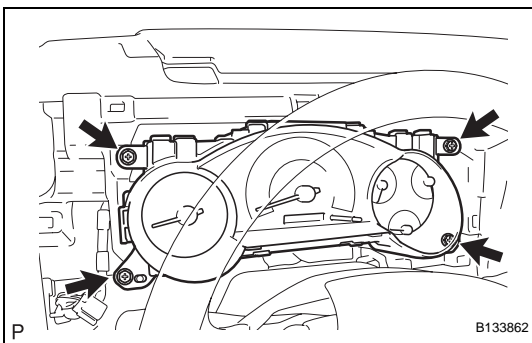
### 30. REMOVE LOWER INSTRUMENT PANEL LH

- (a) Remove the 4 <F> bolts and remove the lower instrument panel.



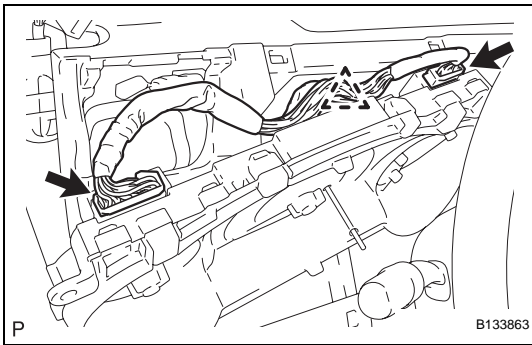
### 31. REMOVE INSTRUMENT CLUSTER FINISH PANEL

- (a) Disengage the 3 clips and the 4 claws and remove the instrument cluster finish panel.
- (b) Disconnect the connectors.

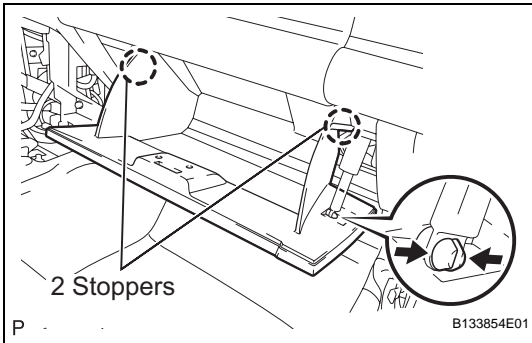


### 32. REMOVE COMBINATION METER ASSEMBLY

- (a) Remove the 4 screws.

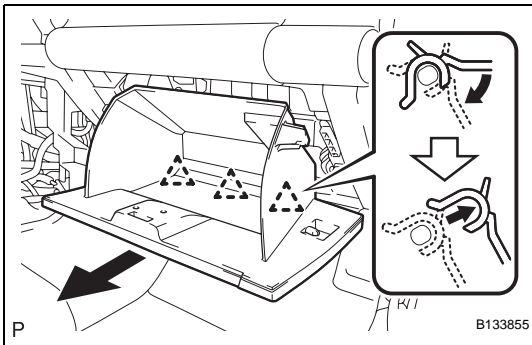


- (b) Disconnect the 2 connectors and clamp and remove the combination meter.

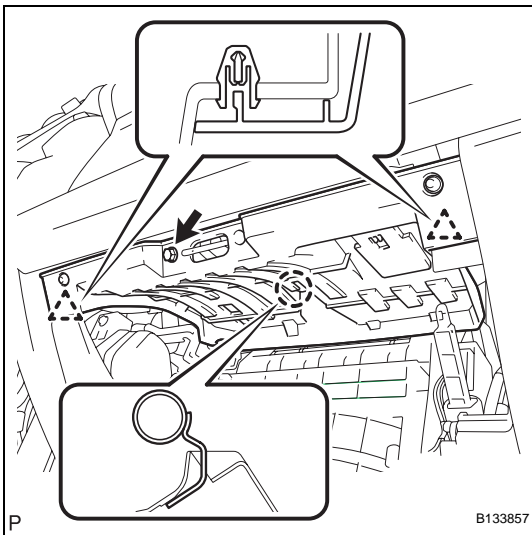


**33. REMOVE GLOVE COMPARTMENT DOOR ASSEMBLY**

- (a) Disengage the claw and separate the glove compartment door stoppers from the glove compartment door.
- (b) Slightly flex the upper part of the glove compartment door assembly to release the 2 stoppers and open the glove compartment door until it becomes horizontal.



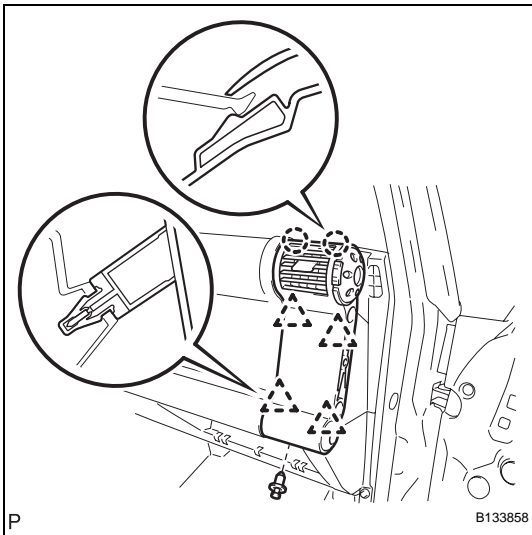
- (c) Pull the glove compartment door assembly toward the rear of the vehicle to release the 3 hinges and remove the glove compartment door assembly.



**34. REMOVE INSTRUMENT PANEL LOWER FINISH PANEL SUB-ASSEMBLY RH**

- (a) Remove screw <A>.
- (b) Disengage the 2 clips and claw and remove the instrument panel lower finish panel.
- (c) Separate the connectors from the instrument panel lower finish panel.



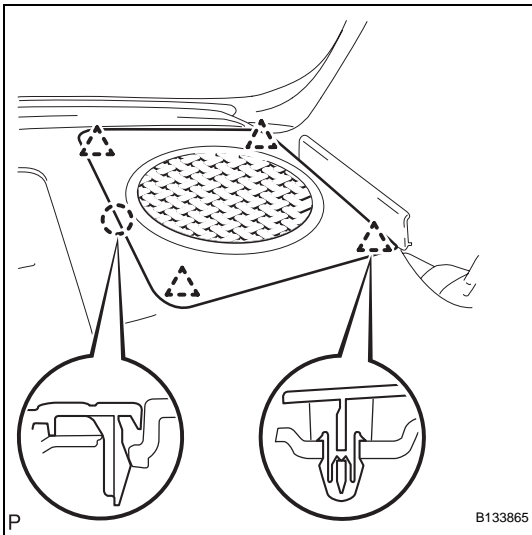


### 35. REMOVE NO. 2 INSTRUMENT PANEL REGISTER ASSEMBLY

- (a) Remove the clip.
- (b) Disengage the 4 clips and 2 claws and remove the instrument panel register.

#### NOTICE:

- To avoid breakage of the register, remove the instrument panel register with the shut damper of the register open.
- Pull the instrument panel register up diagonally to remove it.



### 36. REMOVE NO. 2 INSTRUMENT PANEL SPEAKER PANEL SUB-ASSEMBLY

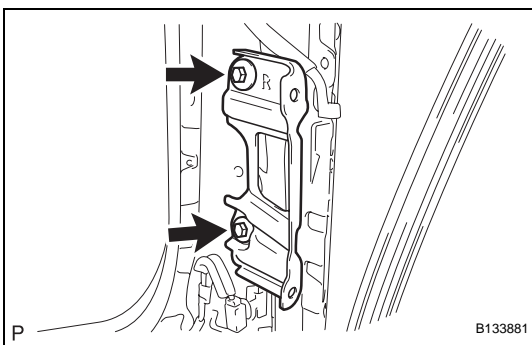
- (a) Disengage the 4 clips and claw and remove the instrument panel speaker panel.

### 37. REMOVE NO. 1 INSTRUMENT PANEL SPEAKER PANEL SUB-ASSEMBLY

#### HINT:

Use the same procedure as for the RH side.

### 38. REMOVE FRONT NO. 2 SPEAKER ASSEMBLY (See page AV-62)



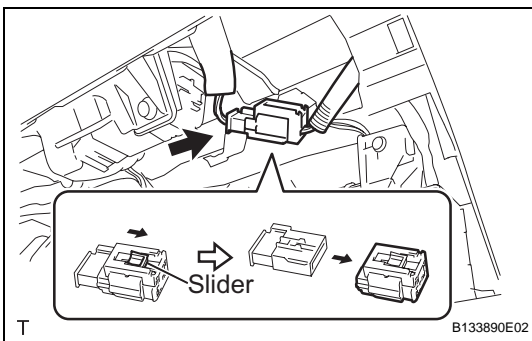
### 39. REMOVE ASSIST GRIP RETAINER RH

- (a) Remove the 2 bolts and remove the assist grip retainer.

### 40. REMOVE ASSIST GRIP RETAINER LH

#### HINT:

Use the same procedure as for the RH side.



### 41. DISCONNECT PASSENGER AIRBAG CONNECTOR

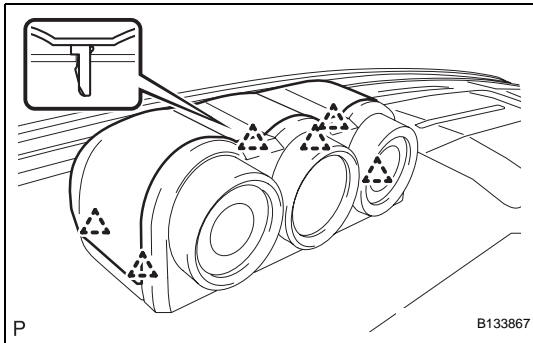
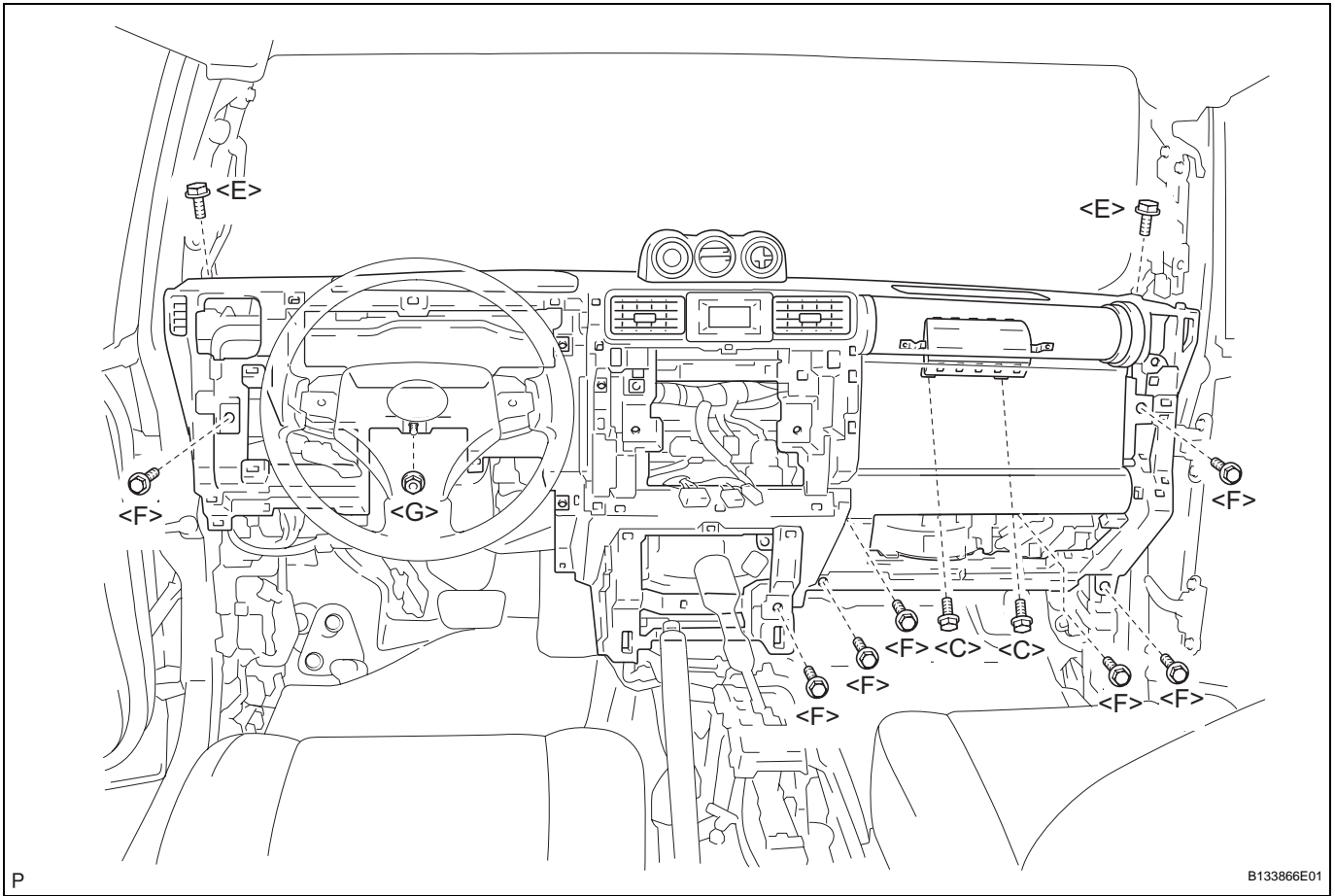
- (a) Slide the slider and disconnect the passenger airbag connector.

### 42. REMOVE INSTRUMENT PANEL SUB-ASSEMBLY

- (a) Disengage the clamps and disconnect the connectors.

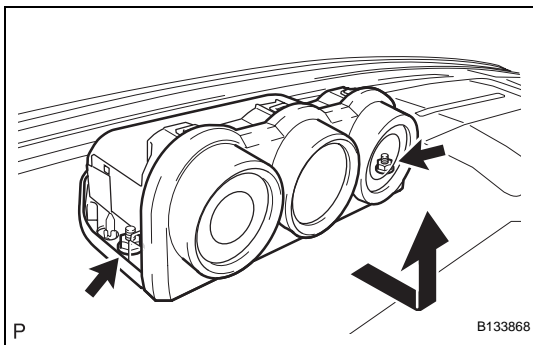


- (b) Remove the 2 <C> bolts, 2 <E> bolts, 7 <F> bolts and nut <G> and remove the instrument panel.



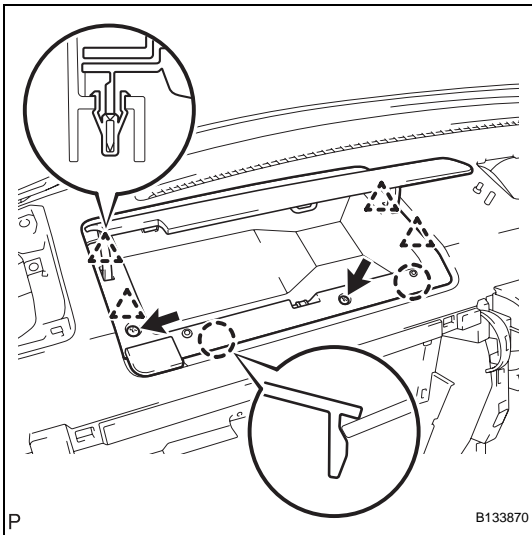
**43. REMOVE METER COVER**

- (a) Disengage the 6 clips and remove the meter cover.



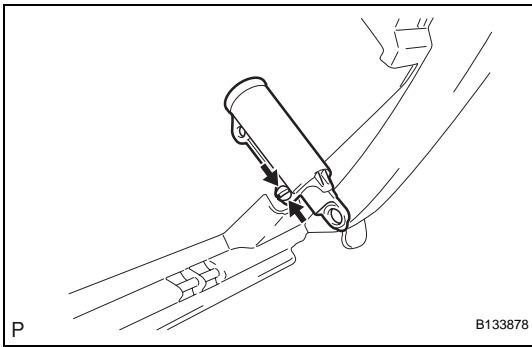
**44. REMOVE ACCESSORY METER ASSEMBLY**

- (a) Remove the 2 nuts and remove the accessory meter.



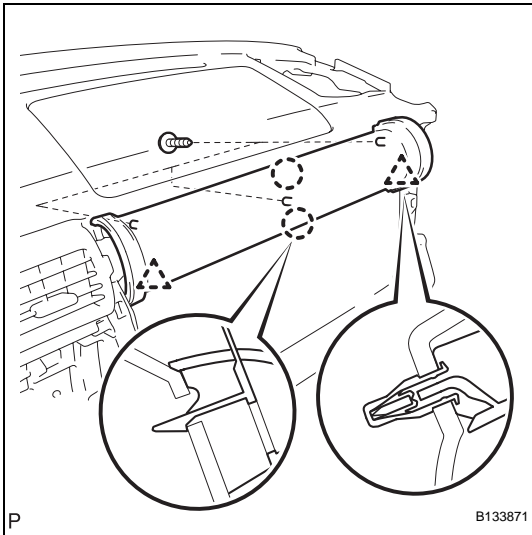
#### 45. REMOVE NO. 2 INSTRUMENT PANEL BOX DOOR SUB-ASSEMBLY

- (a) Remove the 2 <H> screws.
- (b) Disengage the 4 clips and 2 claws and remove the instrument panel box door.



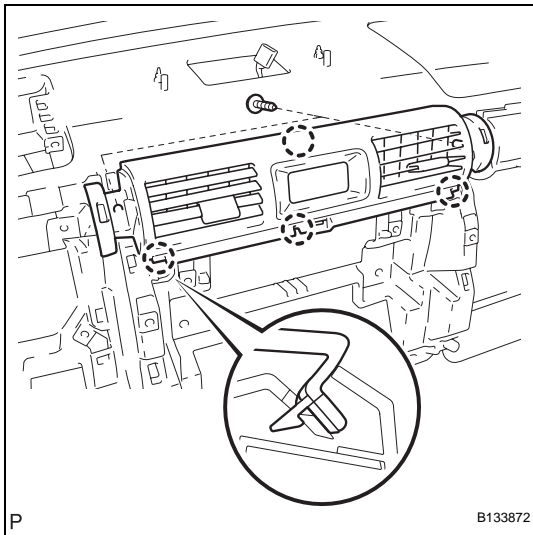
#### 46. REMOVE GLOVE COMPARTMENT DOOR STOPPER SUB-ASSEMBLY

- (a) Disengage the claw and remove the glove compartment door stopper.

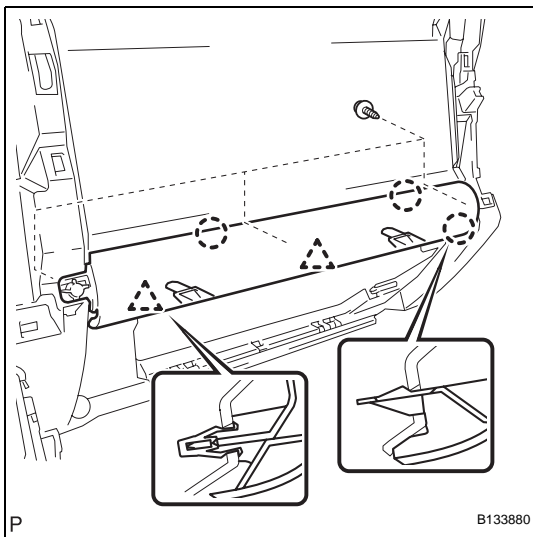


#### 47. REMOVE INSTRUMENT CLUSTER FINISH PANEL SUB-ASSEMBLY

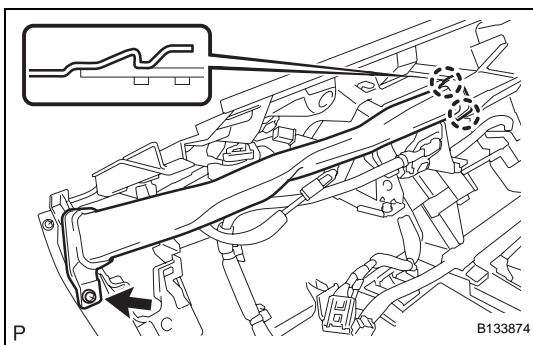
- (a) Remove the 3 <B> screws.
- (b) Disengage the 2 clips and 2 claws and remove the instrument cluster finish panel.



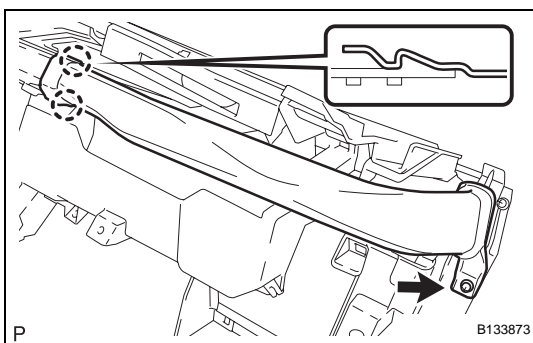
- 48. REMOVE INSTRUMENT CLUSTER CENTER FINISH PANEL SUB-ASSEMBLY**
- (a) Remove the 2 <B> screws.
  - (b) Disengage the 4 claws and remove the instrument cluster center finish panel.



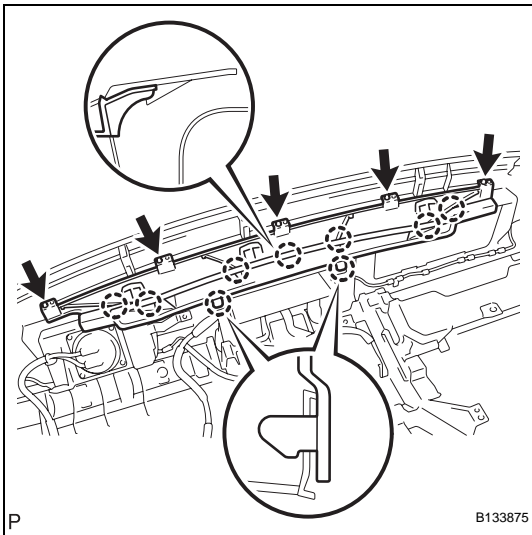
- 49. REMOVE INSTRUMENT CLUSTER LOWER CENTER FINISH PANEL SUB-ASSEMBLY**
- (a) Remove the 3 <B> screws.
  - (b) Disengage the 2 clips and 3 claws and remove the instrument cluster lower center finish panel.



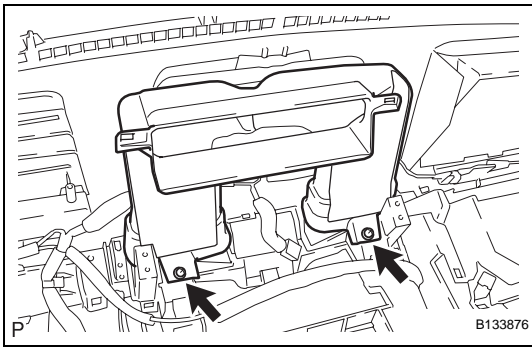
- 50. REMOVE NO. 1 SIDE DEFROSTER NOZZLE DUCT**
- (a) Remove screw <B>.
  - (b) Disengage the 2 claws and remove the side defroster nozzle duct.



- 51. REMOVE NO. 2 SIDE DEFROSTER NOZZLE DUCT**
- (a) Remove screw <B>.
  - (b) Disengage the 2 claws and remove the side defroster nozzle duct.

**52. REMOVE DEFROSTER NOZZLE ASSEMBLY**

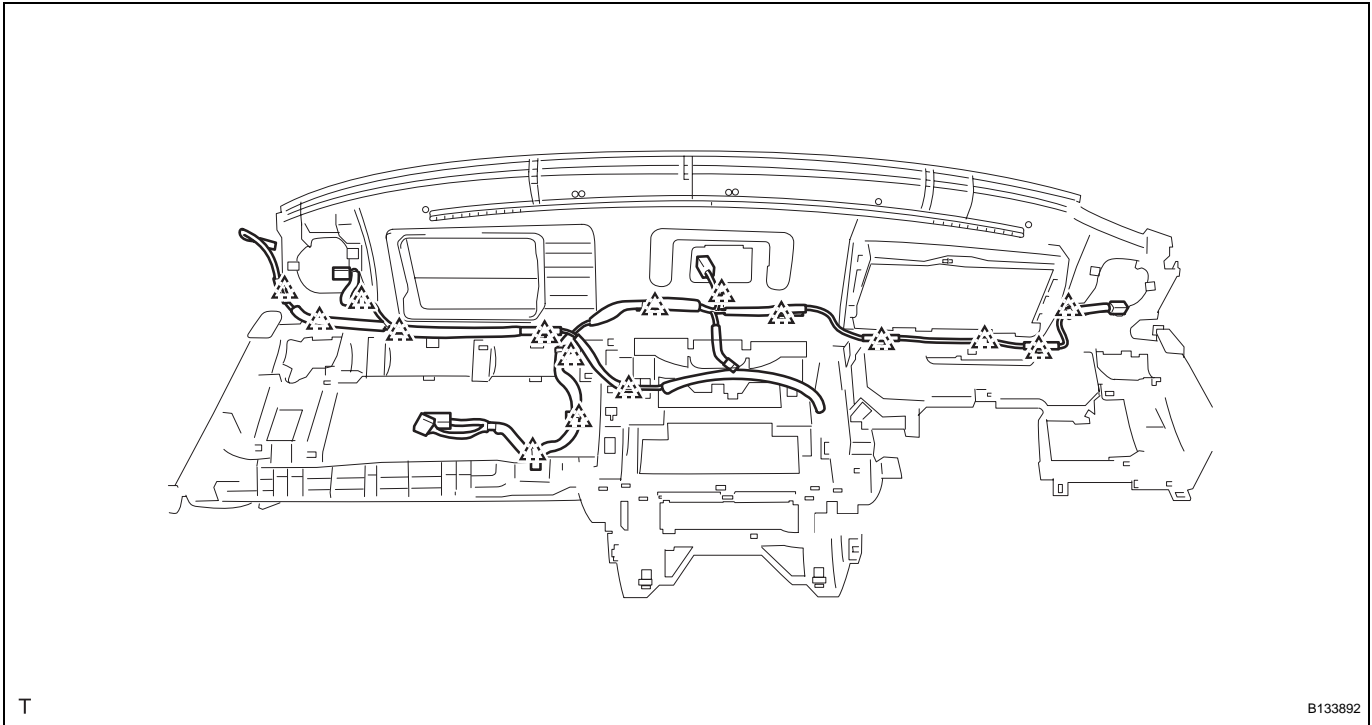
- (a) Remove the 5 <B> screws.
- (b) Disengage the 9 claws and remove the defroster nozzle.

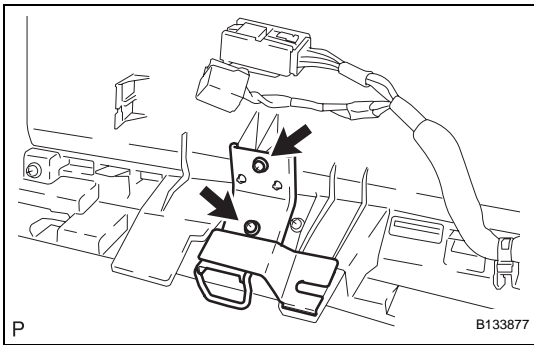
**53. REMOVE NO. 3 HEATER TO REGISTER DUCT**

- (a) Remove the 2 <B> screws and remove the heater to register duct.

**54. REMOVE NO. 2 INSTRUMENT PANEL WIRE**

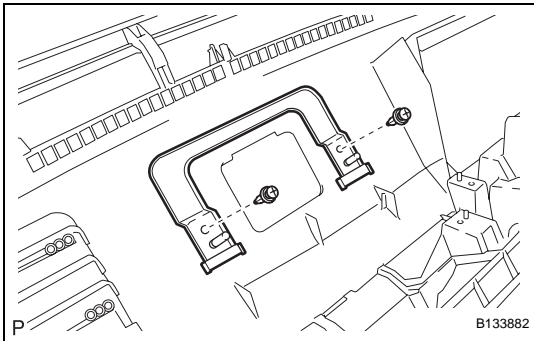
- (a) Disengage the 16 clamps and remove the instrument panel wire.

**55. REMOVE FRONT PASSENGER AIRBAG ASSEMBLY**  
(See page [RS-363](#))



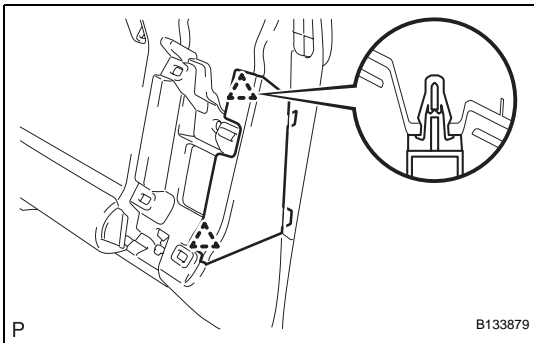
**56. REMOVE INSTRUMENT PANEL CENTER BRACKET SUB-ASSEMBLY**

- (a) Remove the 2 <B> screws and remove the instrument panel center bracket.



**57. REMOVE ACCESSORY METER BRACKET**

- (a) Remove the 2 clips and remove the accessory meter bracket.



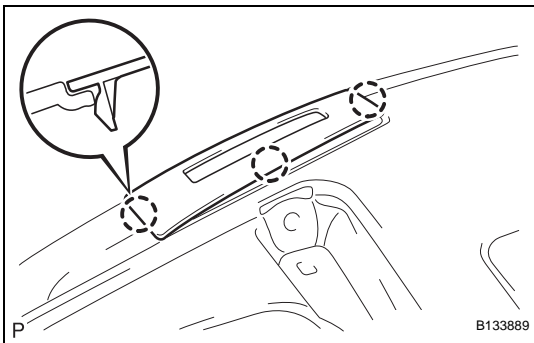
**58. REMOVE LOWER INSTRUMENT PANEL SUB-ASSEMBLY RH**

- (a) Disengage the 2 clips and remove the lower instrument panel.

**59. REMOVE LOWER INSTRUMENT PANEL SUB-ASSEMBLY LH**

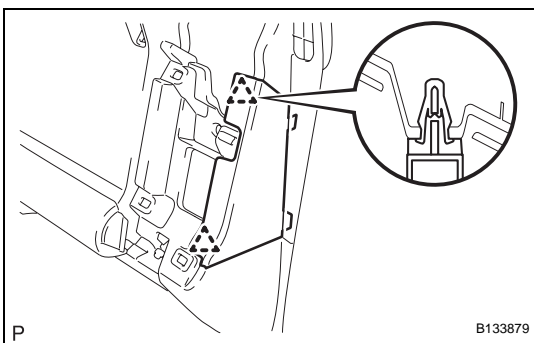
HINT:

Use the same procedure as for the RH side.



**60. REMOVE INSTRUMENT PANEL FINISH PANEL END LH**

- (a) Disengage the 3 claws and remove the instrument panel finish panel end.



**INSTALLATION**

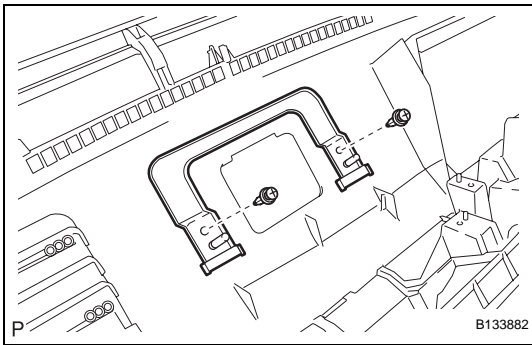
**1. INSTALL LOWER INSTRUMENT PANEL SUB-ASSEMBLY RH**

- (a) Engage the 2 clips and install the lower instrument panel.

**2. INSTALL LOWER INSTRUMENT PANEL SUB-ASSEMBLY LH**

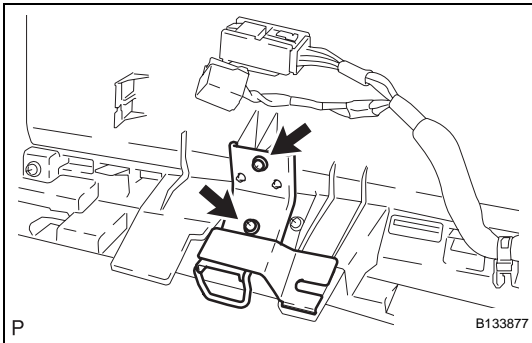
HINT:

Use the same procedure as for the RH side.



### 3. INSTALL ACCESSORY METER BRACKET

- (a) Install the accessory meter bracket with the 2 clips.



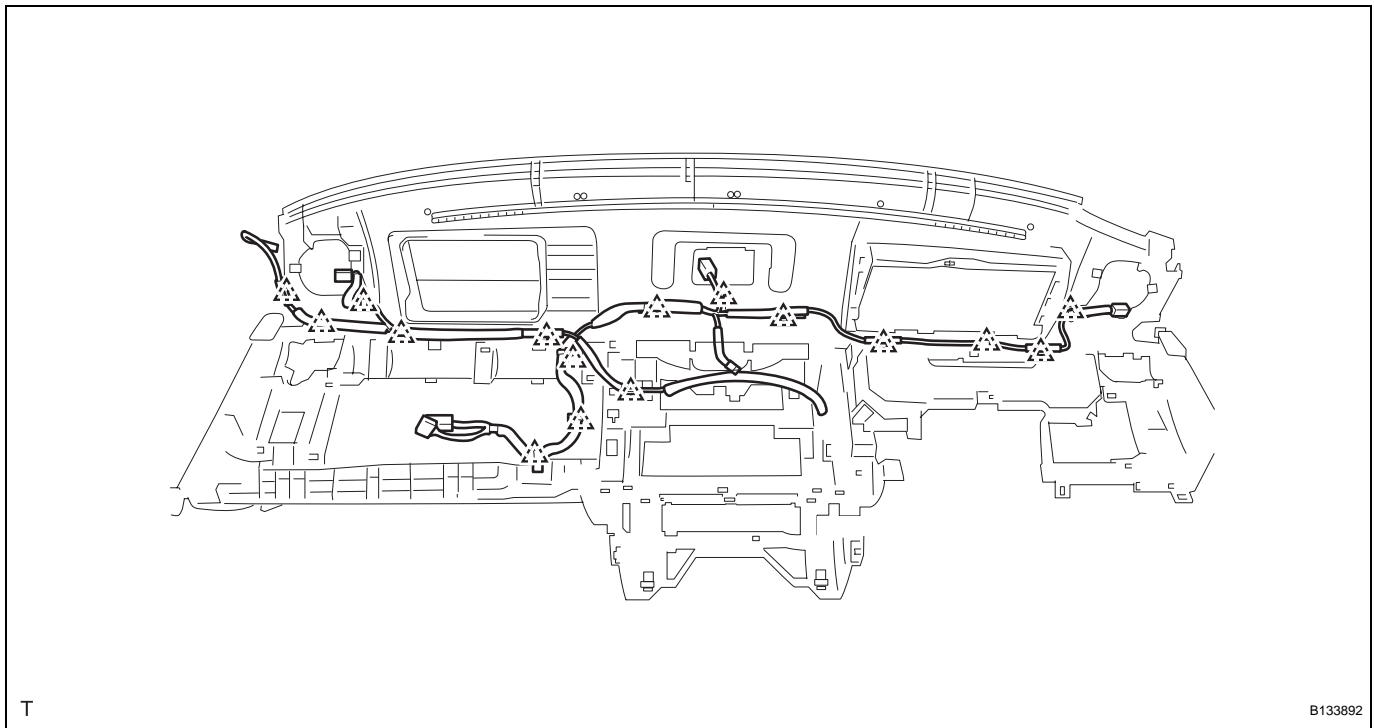
### 4. INSTALL INSTRUMENT PANEL CENTER BRACKET SUB-ASSEMBLY

- (a) Install the instrument panel center bracket with the 2 <B> screws.

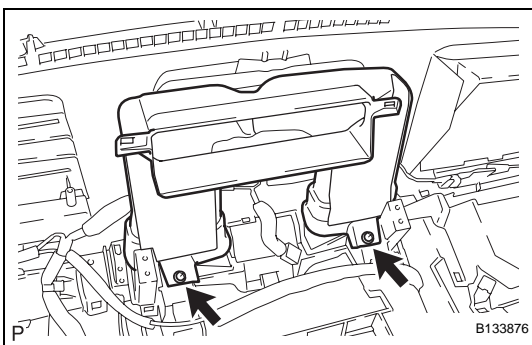
### 5. INSTALL FRONT PASSENGER AIRBAG ASSEMBLY (See page [RS-364](#))

### 6. INSTALL NO. 2 INSTRUMENT PANEL WIRE

- (a) Engage the 16 clamps and install the instrument panel wire.

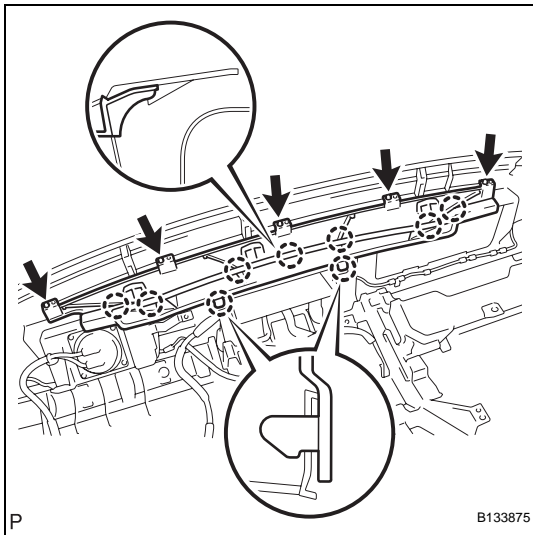


IP



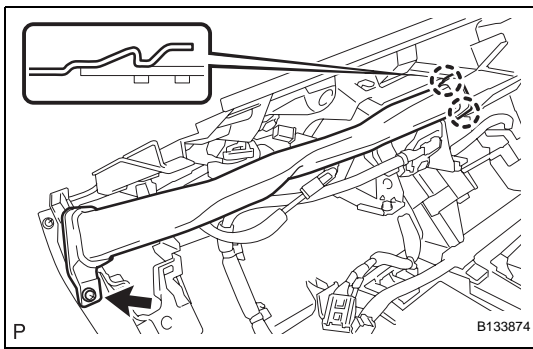
### 7. INSTALL NO. 3 HEATER TO REGISTER DUCT

- (a) Install the heater to register duct with the 2 <B> screws.



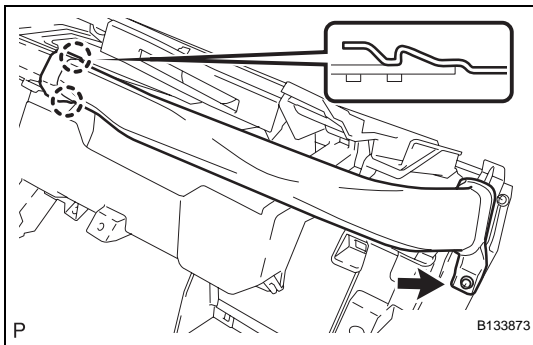
**8. INSTALL DEFROSTER NOZZLE ASSEMBLY**

- (a) Engage the 9 claws and install the defroster nozzle.
- (b) Install the 5 <B> screws.



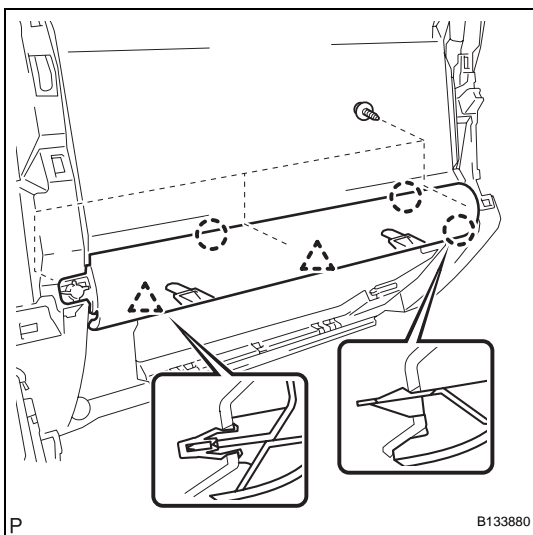
**9. INSTALL NO. 1 SIDE DEFROSTER NOZZLE DUCT**

- (a) Engage the 2 claws and install the side defroster nozzle duct.
- (b) Install screw <B>.



**10. INSTALL NO. 2 SIDE DEFROSTER NOZZLE DUCT**

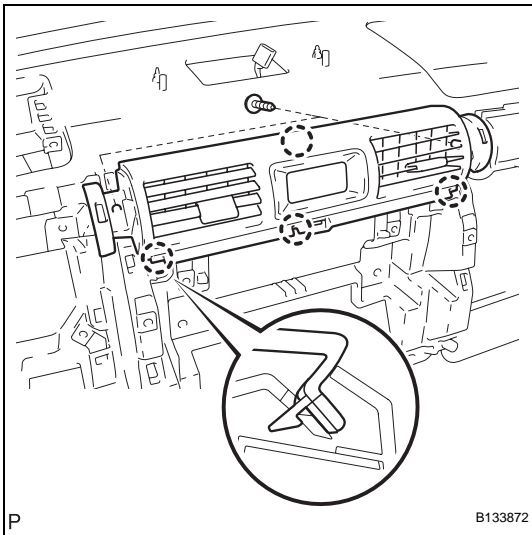
- (a) Engage the 2 claws and install the side defroster nozzle duct.
- (b) Install screw <B>.



**11. INSTALL INSTRUMENT CLUSTER LOWER CENTER FINISH PANEL SUB-ASSEMBLY**

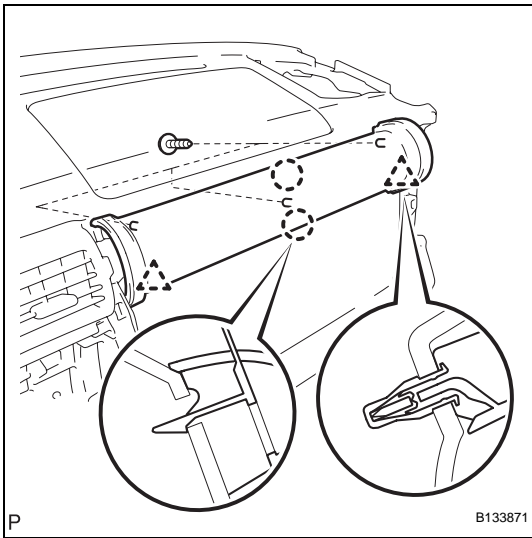
- (a) Engage the 2 clips and 3 claws and install the instrument cluster lower center finish panel.
- (b) Install the 3 <B> screws.





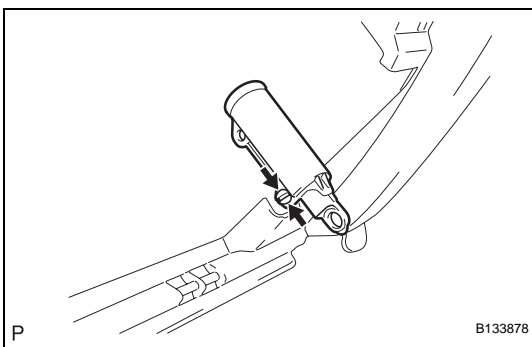
## 12. INSTALL INSTRUMENT CLUSTER CENTER FINISH PANEL SUB-ASSEMBLY

- (a) Engage the 4 claws and install the instrument cluster center finish panel.
- (b) Install the 2 <B> screws.



## 13. INSTALL INSTRUMENT CLUSTER FINISH PANEL SUB-ASSEMBLY

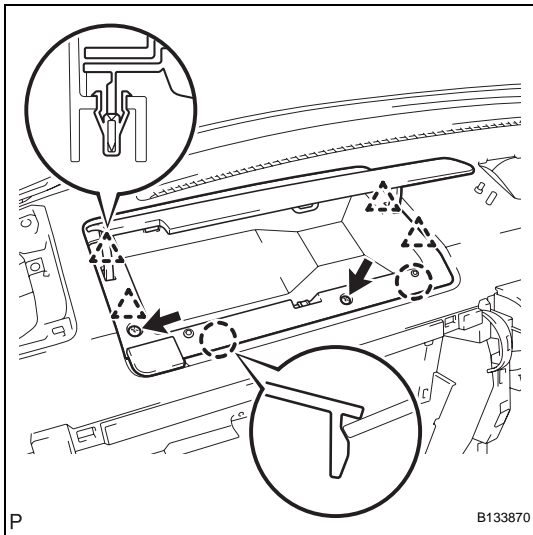
- (a) Engage the 2 clips and 2 claws and install the instrument cluster finish panel.
- (b) Install the 3 <B> screws.



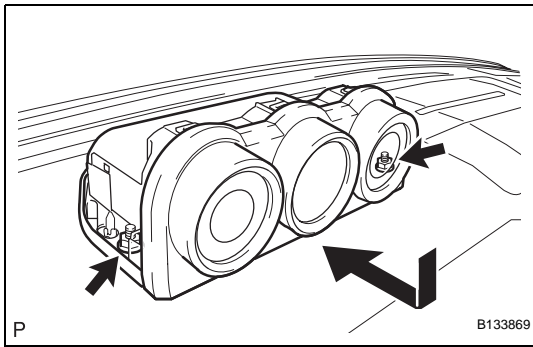
## 14. INSTALL GLOVE COMPARTMENT DOOR STOPPER SUB-ASSEMBLY

- (a) Engage the claw and install the glove compartment door stopper.

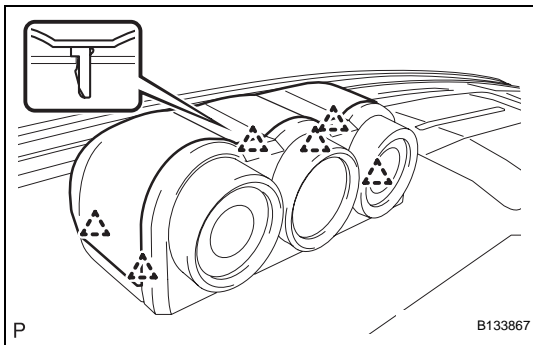


**15. INSTALL NO. 2 INSTRUMENT PANEL BOX DOOR SUB-ASSEMBLY**

- (a) Engage the 4 clips and 2 claws and install the instrument panel box door.
- (b) Install the 2 <H> screws.

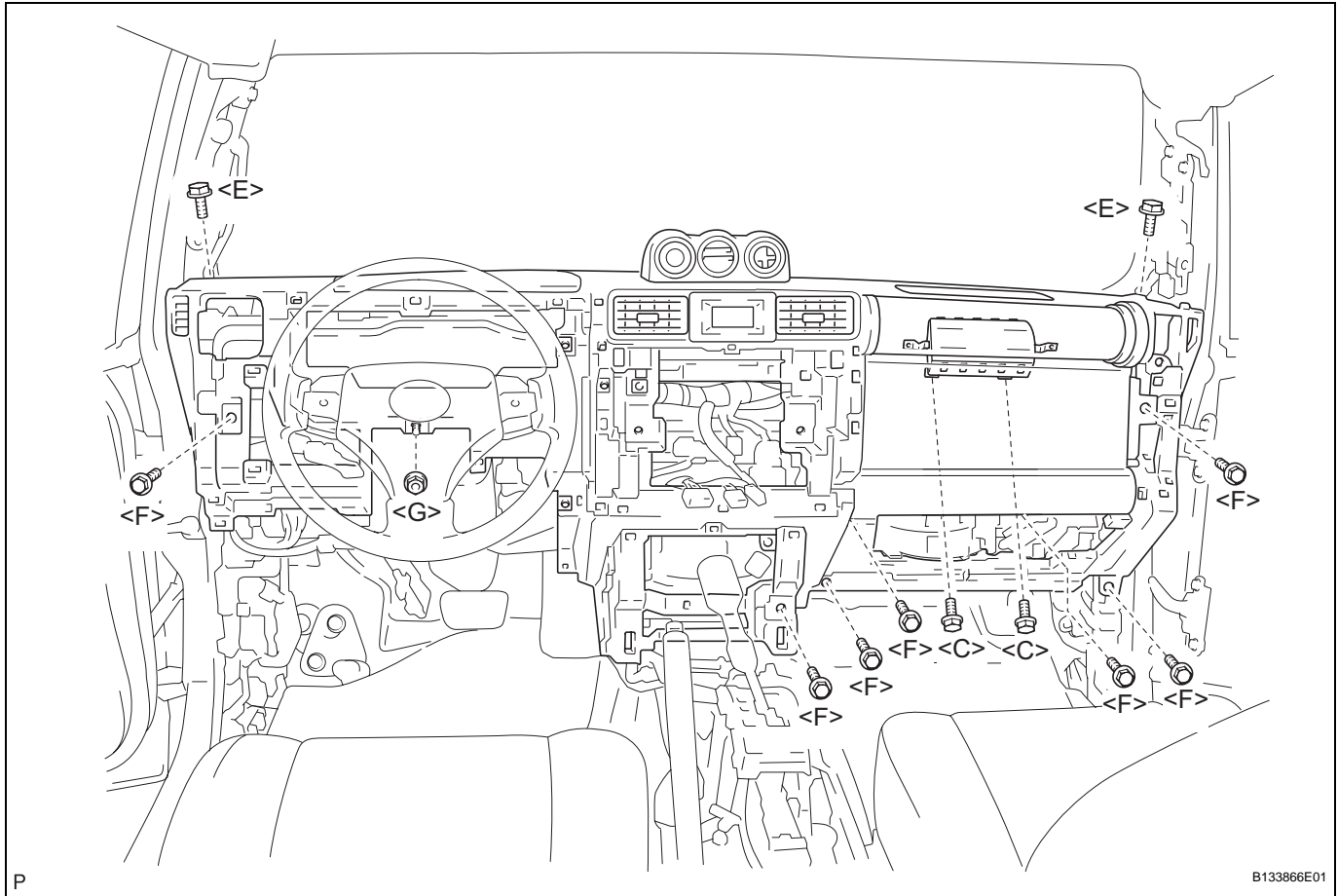
**16. INSTALL ACCESSORY METER ASSEMBLY**

- (a) Install the accessory meter with the 2 nuts.

**17. INSTALL METER COVER**

- (a) Engage the 6 clips and install the meter cover.

## 18. INSTALL INSTRUMENT PANEL SUB-ASSEMBLY

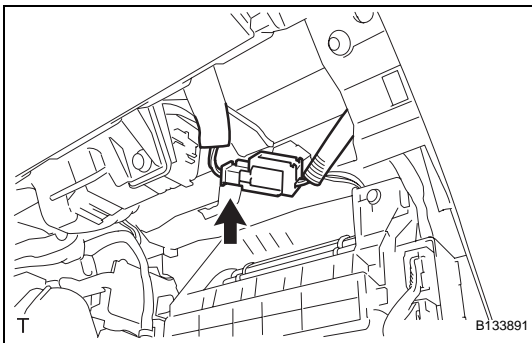


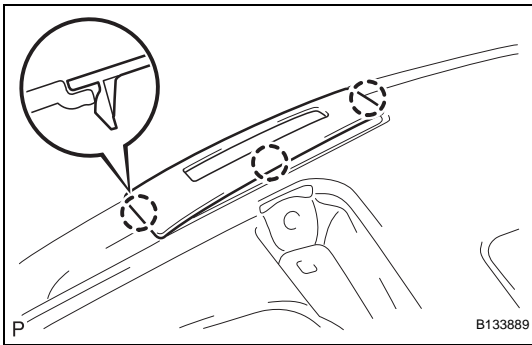
- (a) Install the lower instrument panel with the 2 <C> bolts, 2 <E> bolts, 7 <F> bolts and nut <G>. **Torque: 20 N\*m (205 kgf\*cm, 15 ft.\*lbf) for bolt <C>**

- (b) Engage the clamps and connect the connectors.

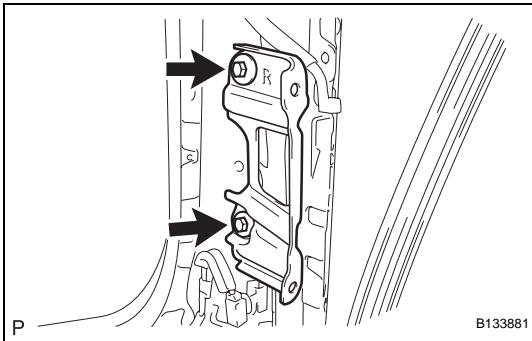
## 19. CONNECT PASSENGER AIRBAG CONNECTOR

- (a) Connect the passenger airbag connector.





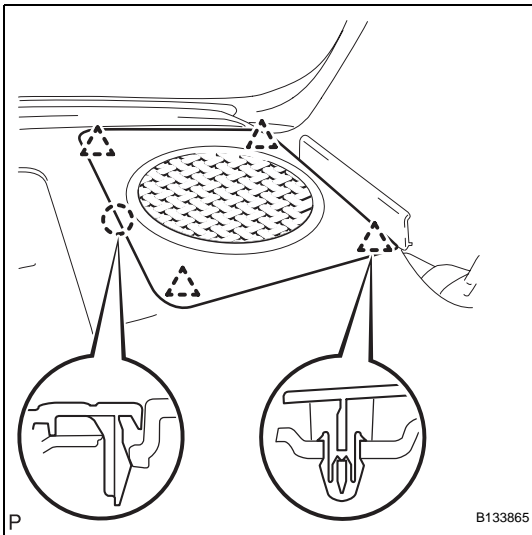
- 20. INSTALL INSTRUMENT PANEL FINISH PANEL END LH**  
 (a) Engage the 3 claws and install the instrument panel finish panel end.



- 21. INSTALL ASSIST GRIP RETAINER RH**  
 (a) Install the assist grip retainer with the 2 bolts.  
**Torque: 29 N\*m (296 kgf\*cm, 21 ft.\*lbf)**

- 22. INSTALL ASSIST GRIP RETAINER LH**  
**HINT:**  
 Use the same procedure as for the RH side.

- 23. INSTALL FRONT NO. 2 SPEAKER ASSEMBLY (See page AV-62)**

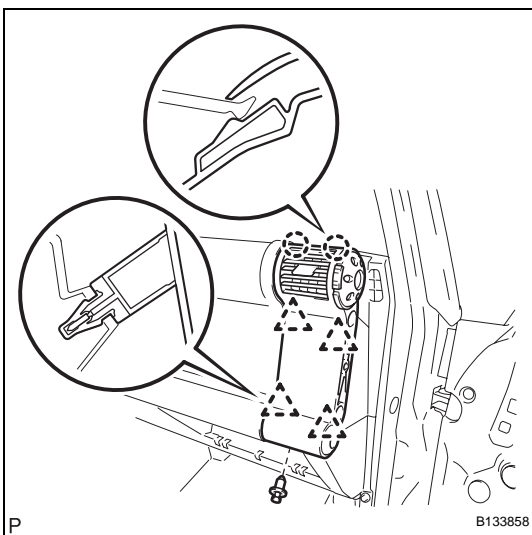


- 24. INSTALL NO. 2 INSTRUMENT PANEL SPEAKER PANEL SUB-ASSEMBLY**

- (a) Engage the 4 clips and claw and install the instrument panel speaker panel.

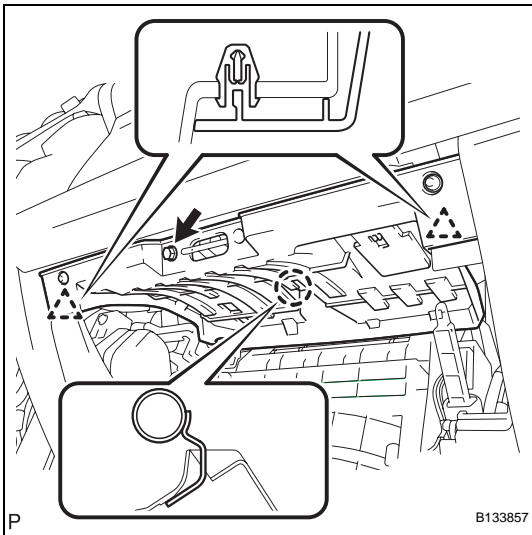
- 25. INSTALL NO. 1 INSTRUMENT PANEL SPEAKER PANEL SUB-ASSEMBLY**

- HINT:**  
 Use the same procedure as for the RH side.



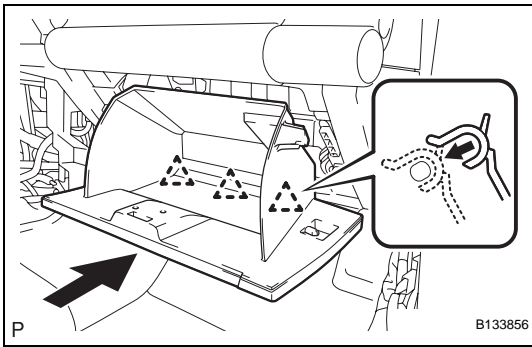
- 26. INSTALL NO. 2 INSTRUMENT PANEL REGISTER ASSEMBLY**

- (a) Engage the 4 clips and 2 claws and install the instrument panel register.  
 (b) Install the clip.



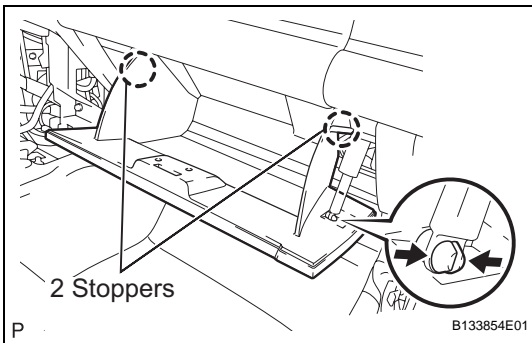
### 27. INSTALL INSTRUMENT PANEL LOWER FINISH PANEL SUB-ASSEMBLY RH

- (a) Install the connectors to the instrument panel lower finish panel.
- (b) Engage the claw and 2 clips and install the instrument panel lower finish panel.
- (c) Install screw <A>.

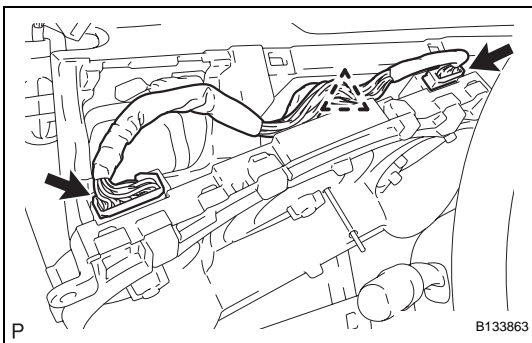


### 28. INSTALL GLOVE COMPARTMENT DOOR ASSEMBLY

- (a) Install the glove compartment door assembly with the 3 hinges while holding it horizontal.

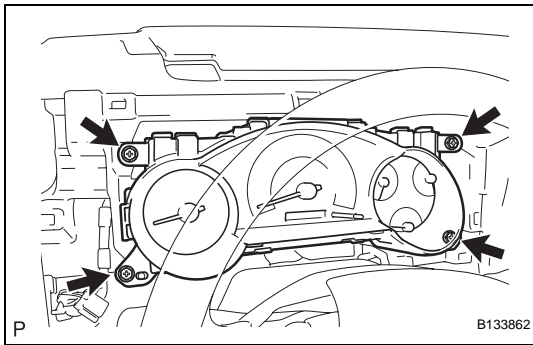


- (b) Slightly flex the upper part of the glove compartment door assembly, and install the glove compartment door assembly.
- (c) Install the glove compartment door stoppers onto the glove compartment door.

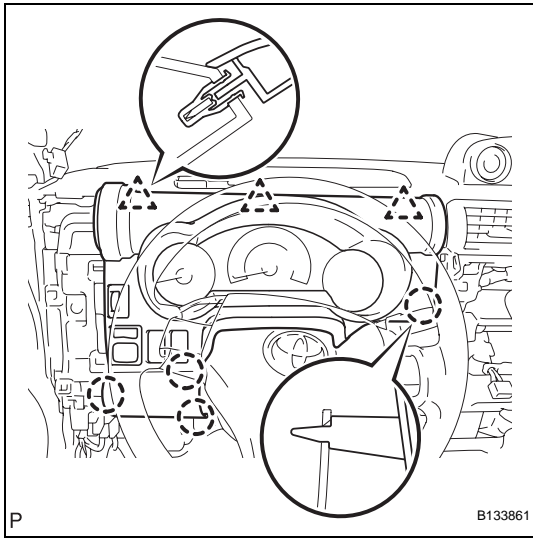


### 29. INSTALL COMBINATION METER ASSEMBLY

- (a) Connect the 2 connectors and the clamp.

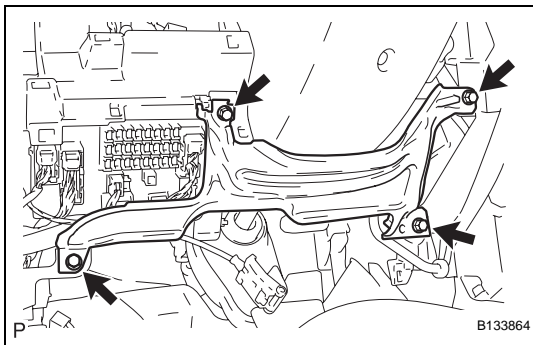


- (b) Install the combination meter assembly with the 4 screws.  
**Torque: 7.0 N\*m (71 kgf\*cm, 62 in.\*lbf)**



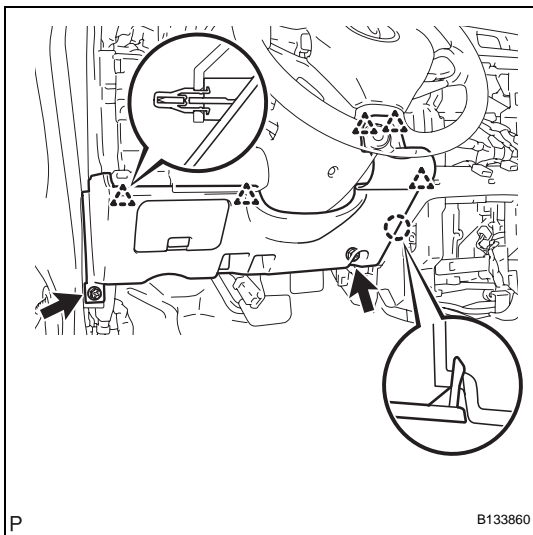
**30. INSTALL INSTRUMENT CLUSTER LOWER FINISH PANEL**

- (a) Connect the connectors.  
 (b) Engage the 3 clips and 4 claws and install the instrument cluster lower finish panel.



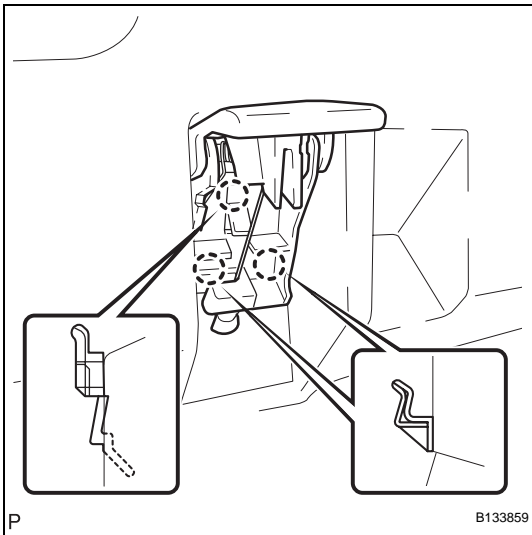
**31. INSTALL LOWER INSTRUMENT PANEL LH**

- (a) Install the lower instrument panel with the 4 <F> bolts.



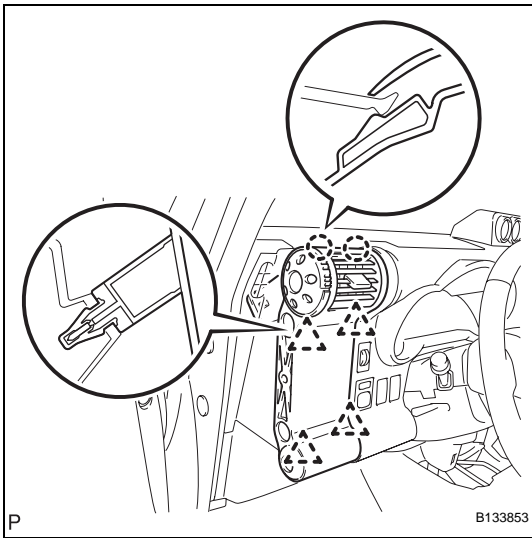
**32. INSTALL LOWER INSTRUMENT PANEL FINISH PANEL SUB-ASSEMBLY LH**

- (a) Engage the 5 clips and claw and install the lower instrument panel finish panel.  
 (b) Install the 2 <F> bolts.



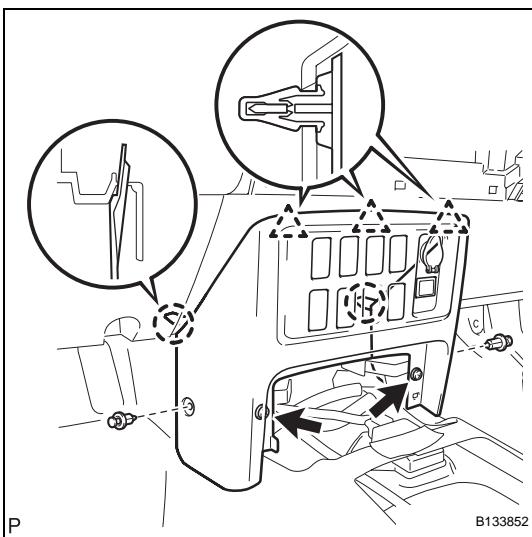
### 33. CONNECT HOOD LOCK CONTROL LEVER SUB-ASSEMBLY

- (a) Engage the 3 claws and install the hood lock control lever.



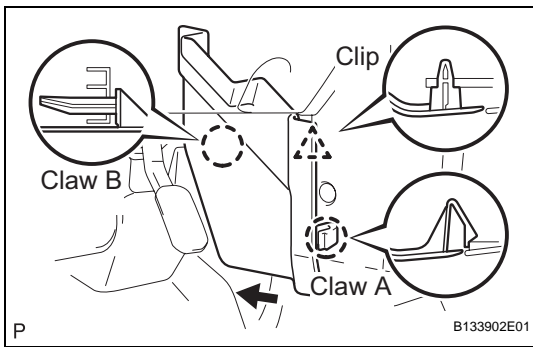
### 34. INSTALL NO. 1 INSTRUMENT PANEL REGISTER ASSEMBLY

- (a) Engage the 4 clips and 2 claws and install the instrument panel register.



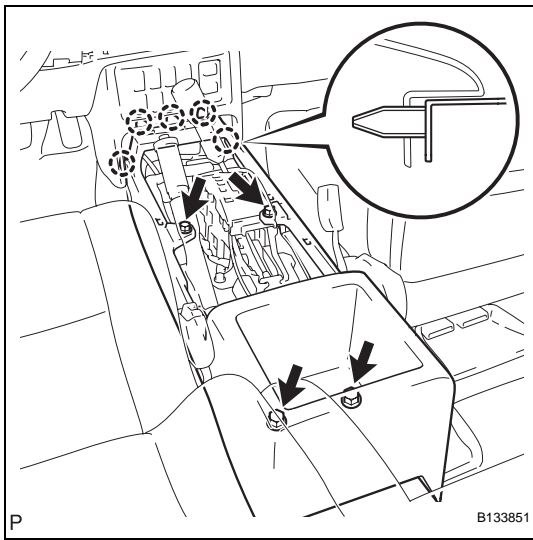
### 35. INSTALL INSTRUMENT LOWER COVER SUB-ASSEMBLY

- (a) Engage the 3 clips and 2 claws and install the instrument lower cover.  
 (b) Install the 2 <F> bolts and 2 clips.



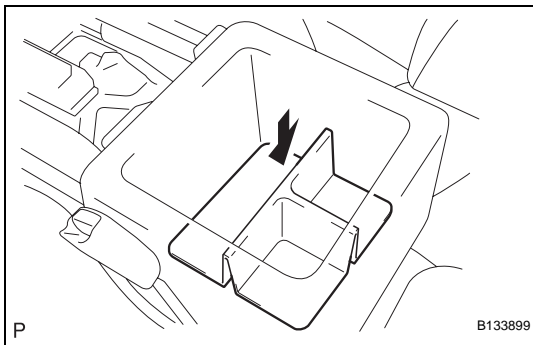
**36. INSTALL CONSOLE UPPER PANEL NO. 1 GARNISH**

- (a) Slide the console upper panel garnish toward the front of the vehicle and engage claw B.
- (b) Engage the claw and clip and install the console upper panel garnish.



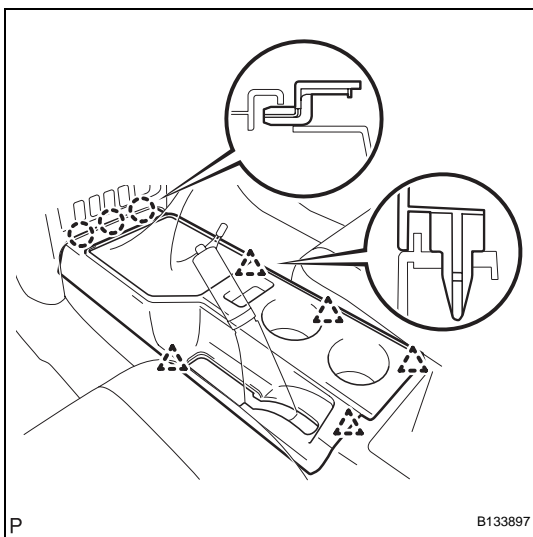
**37. INSTALL FRONT CONSOLE BOX**

- (a) Engage the 5 claws and install the front console box.
- (b) Install the 4 <D> screws.



**38. INSTALL BOX BOTTOM MAT**

- (a) Install the box bottom mat.



**39. INSTALL CONSOLE UPPER REAR PANEL SUB-ASSEMBLY**

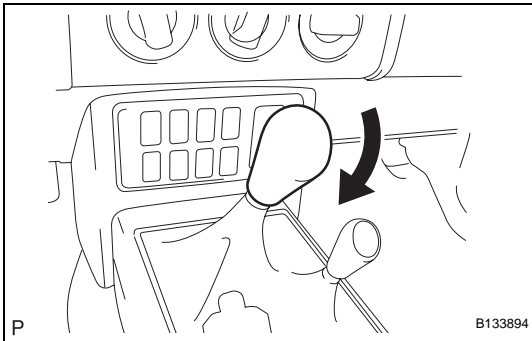
- (a) Engage the 3 claws and 5 clips and install the console upper rear panel.





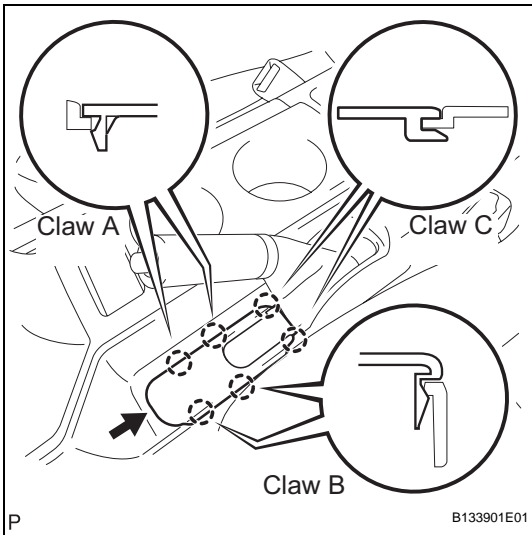
#### 40. INSTALL SHIFT LEVER KNOB SUB-ASSEMBLY (for 4WD)

- (a) Install the shift lever knob.



#### 41. INSTALL SHIFT LEVER KNOB SUB-ASSEMBLY (for Manual Transmission)

- (a) Install the shift lever knob.

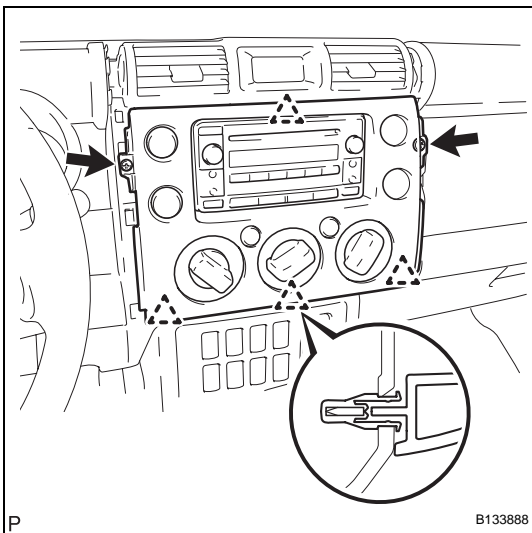


#### 42. INSTALL PARKING BRAKE HOLE COVER SUB-ASSEMBLY

- (a) Slide the parking brake hole cover toward the rear of the vehicle and engage the 2 C claws.  
 (b) Engage the 4 claws and install the parking brake hole cover.

#### 43. INSTALL RADIO RECEIVER ASSEMBLY (See page [AV-56](#))

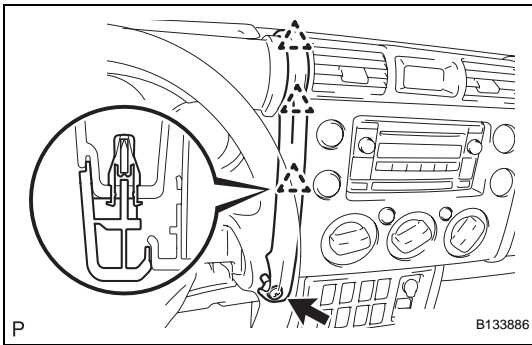
IP



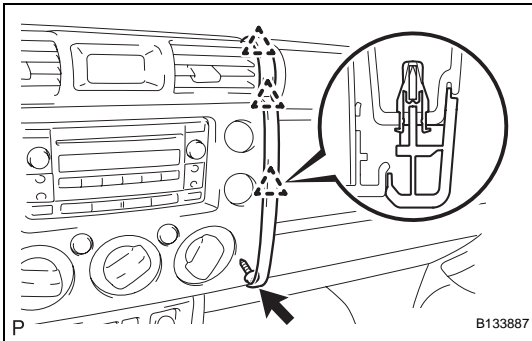
#### 44. INSTALL INTEGRATION CONTROL AND PANEL ASSEMBLY

- (a) Connect the 3 connectors.  
 (b) Engage the 4 clips and install the integration control panel assembly.  
 (c) Install the 2 <H> screws.



**45. INSTALL INSTRUMENT PANEL GARNISH LH**

- (a) Engage the 3 clips and install the instrument panel garnish.
- (b) Install 2 <H> screws.

**46. INSTALL INSTRUMENT PANEL GARNISH RH**

- (a) Engage the 3 clips and install the instrument panel garnish.
- (b) Install screw <H>.

**47. INSTALL FRONT PILLAR GARNISH RH (See page IR-43)****48. INSTALL FRONT PILLAR GARNISH LH (See page IR-43)****49. INSTALL ASSIST GRIP ASSEMBLY (See page IR-43)****50. INSTALL ASSIST GRIP PLUG (See page IR-44)****51. INSTALL FRONT DOOR OPENING TRIM WEATHERSTRIP LH**

- (a) Install the front door opening trim weatherstrip.

**52. INSTALL FRONT DOOR OPENING TRIM WEATHERSTRIP RH**

- (a) Install the front door opening trim weatherstrip.

**53. INSTALL COWL SIDE TRIM BOARD RH (See page IR-45)****54. INSTALL COWL SIDE TRIM BOARD LH (See page IR-45)****55. INSTALL FOOTREST CLIP (See page IR-2)****56. INSTALL FRONT FLOOR FOOTREST (See page IR-2)****57. INSTALL FRONT DOOR SCUFF PLATE RH (See page IR-45)****58. INSTALL FRONT DOOR SCUFF PLATE LH (See page IR-45)****59. CONNECT CABLE TO NEGATIVE BATTERY TERMINAL**

Torque: 3.9 N\*m (40 kgf\*cm, 35 in.\*lbf)

**60. INSPECT SRS WARNING LIGHT**

(See page RS-29)