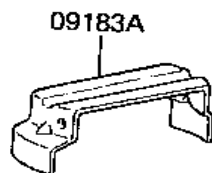
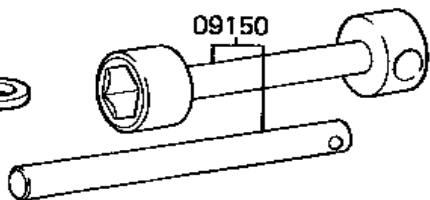
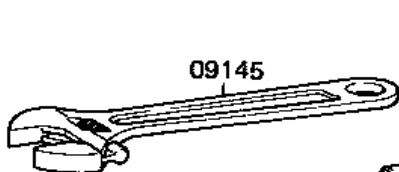
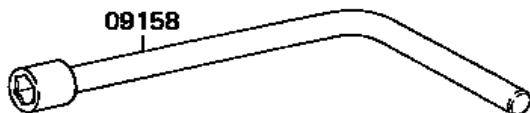
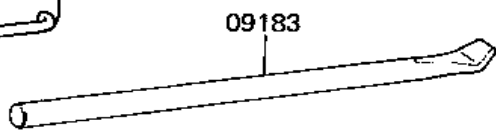
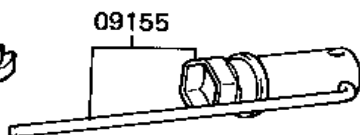
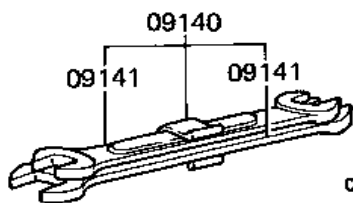
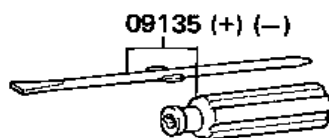
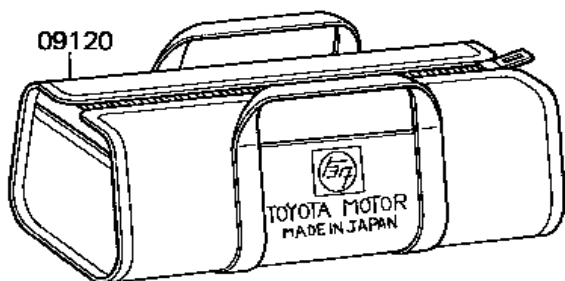
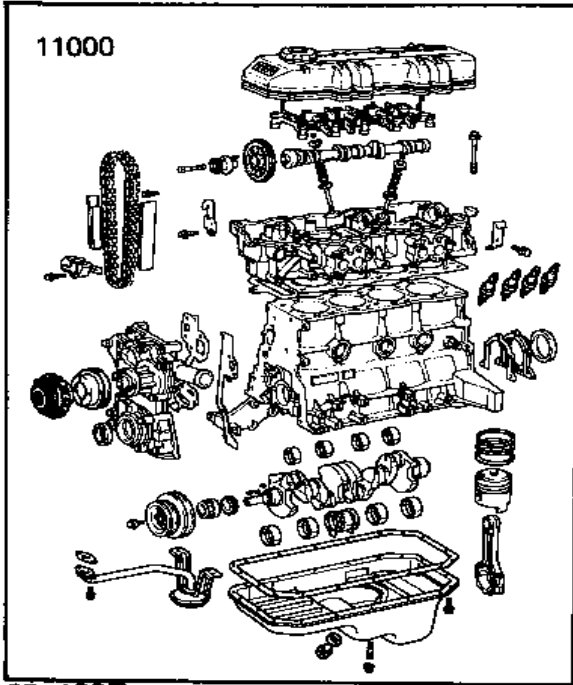


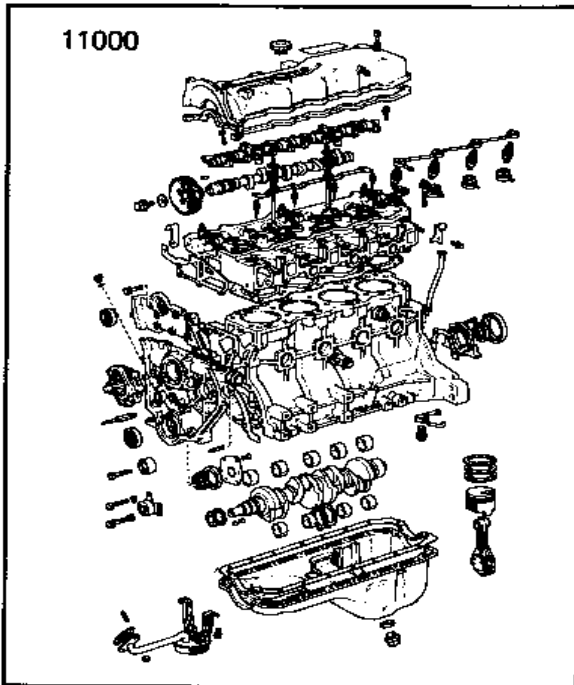
※ W/ SUN ROOF



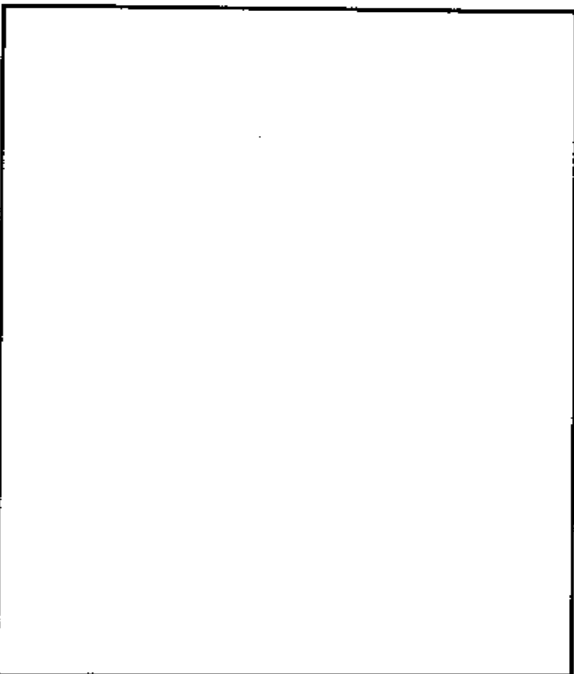
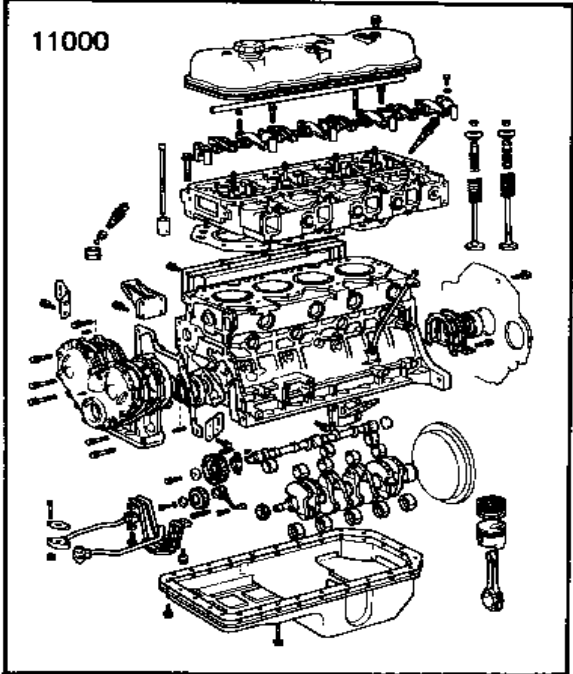
22R#



2L#

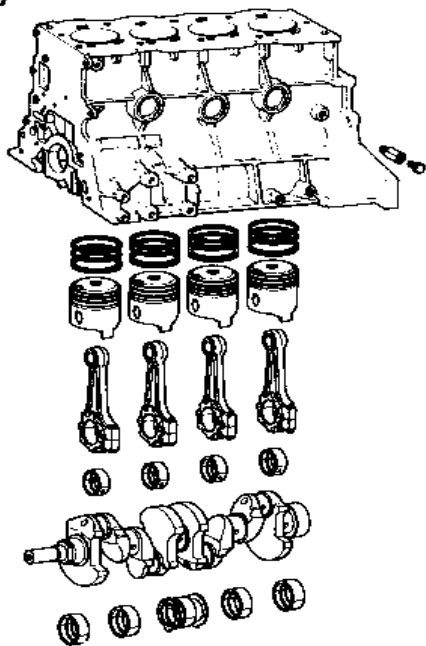


3B, 13B1



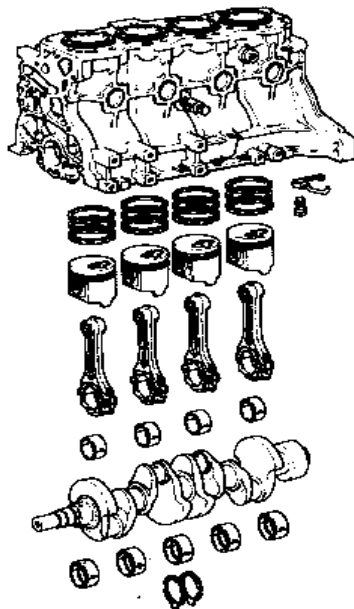
22R#

11400



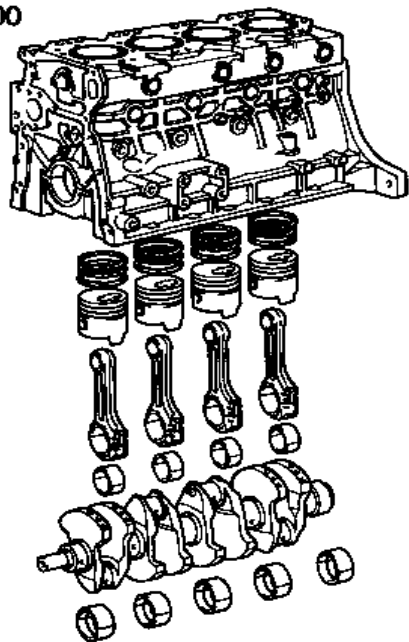
2L#

11400

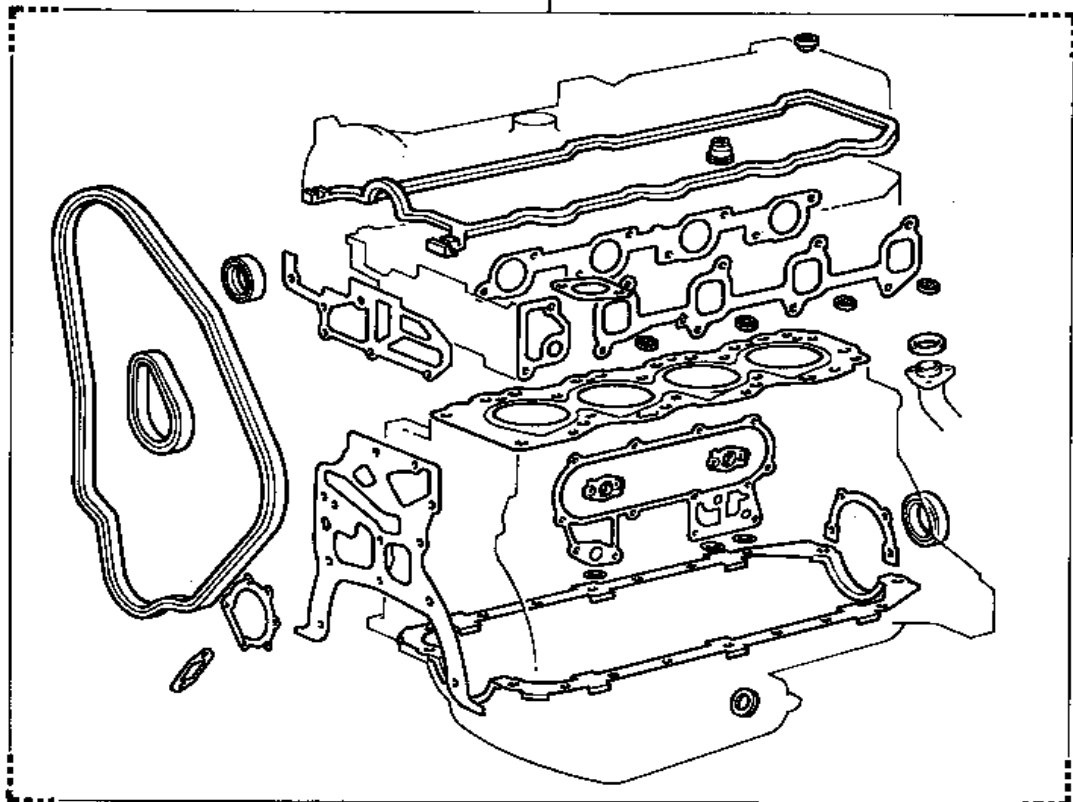


3B, 13BT

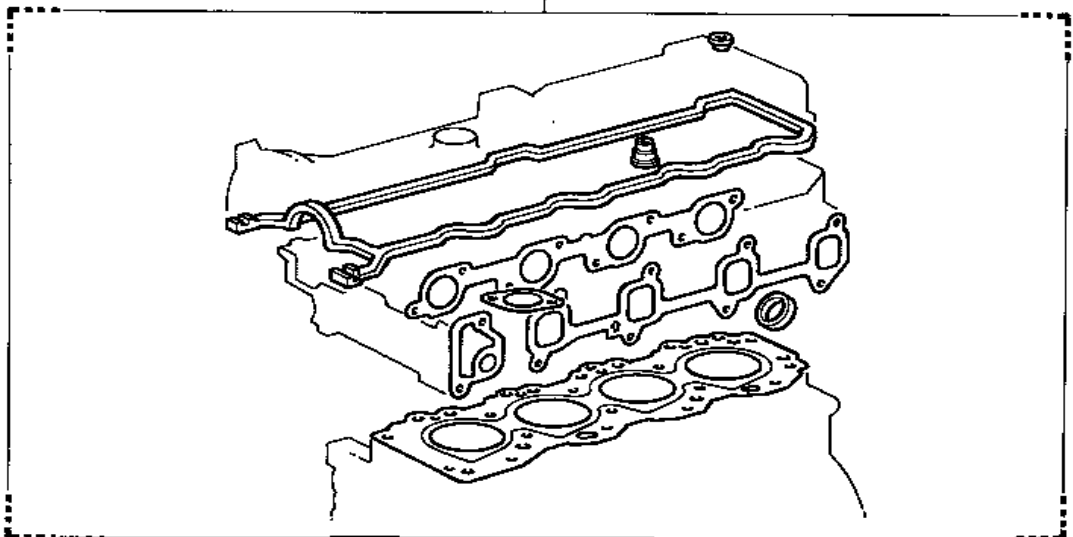
11400

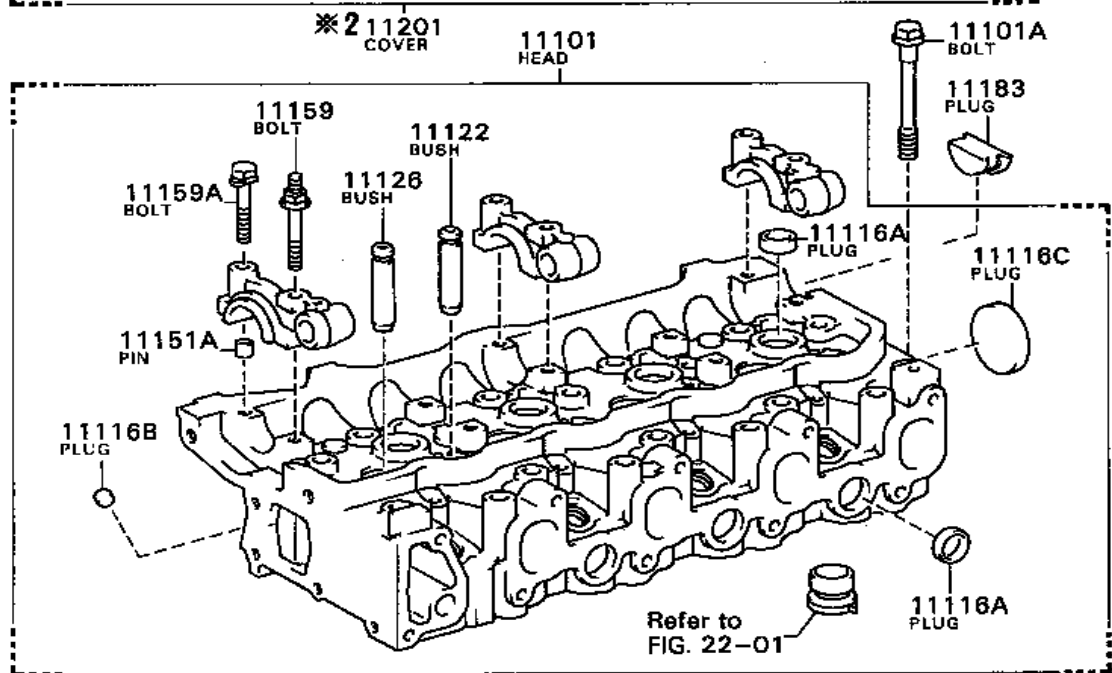
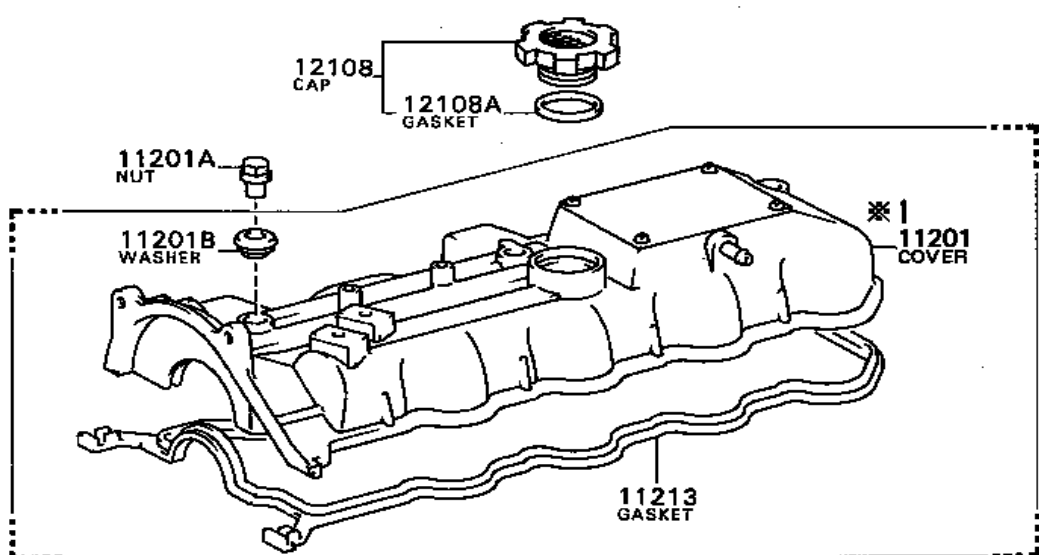


04111



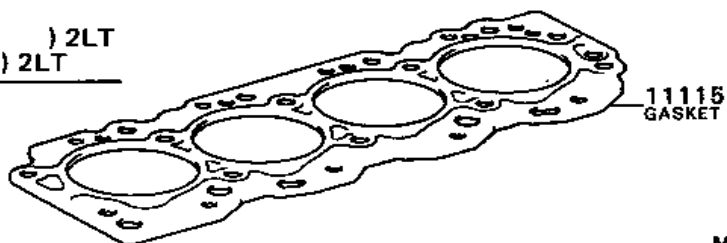
04112

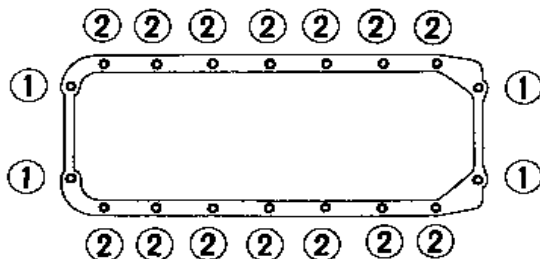
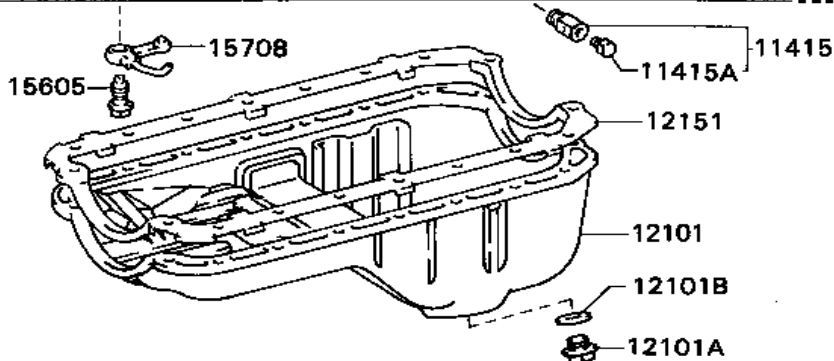
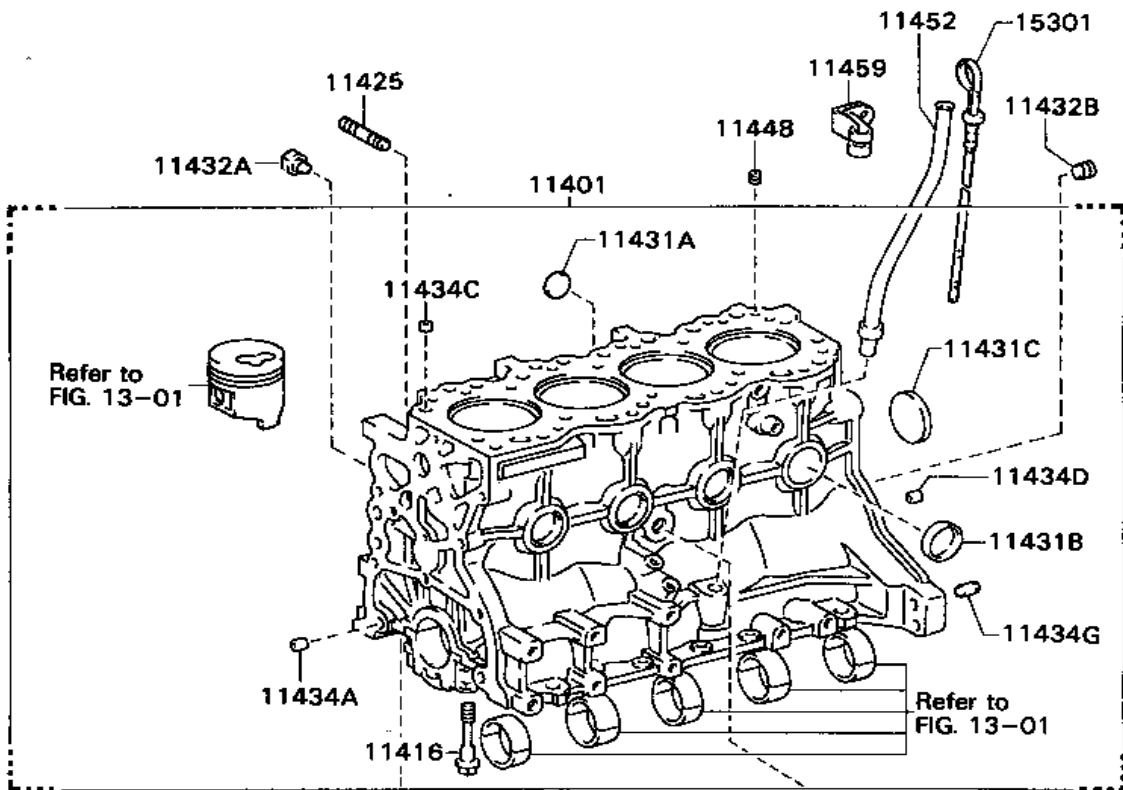




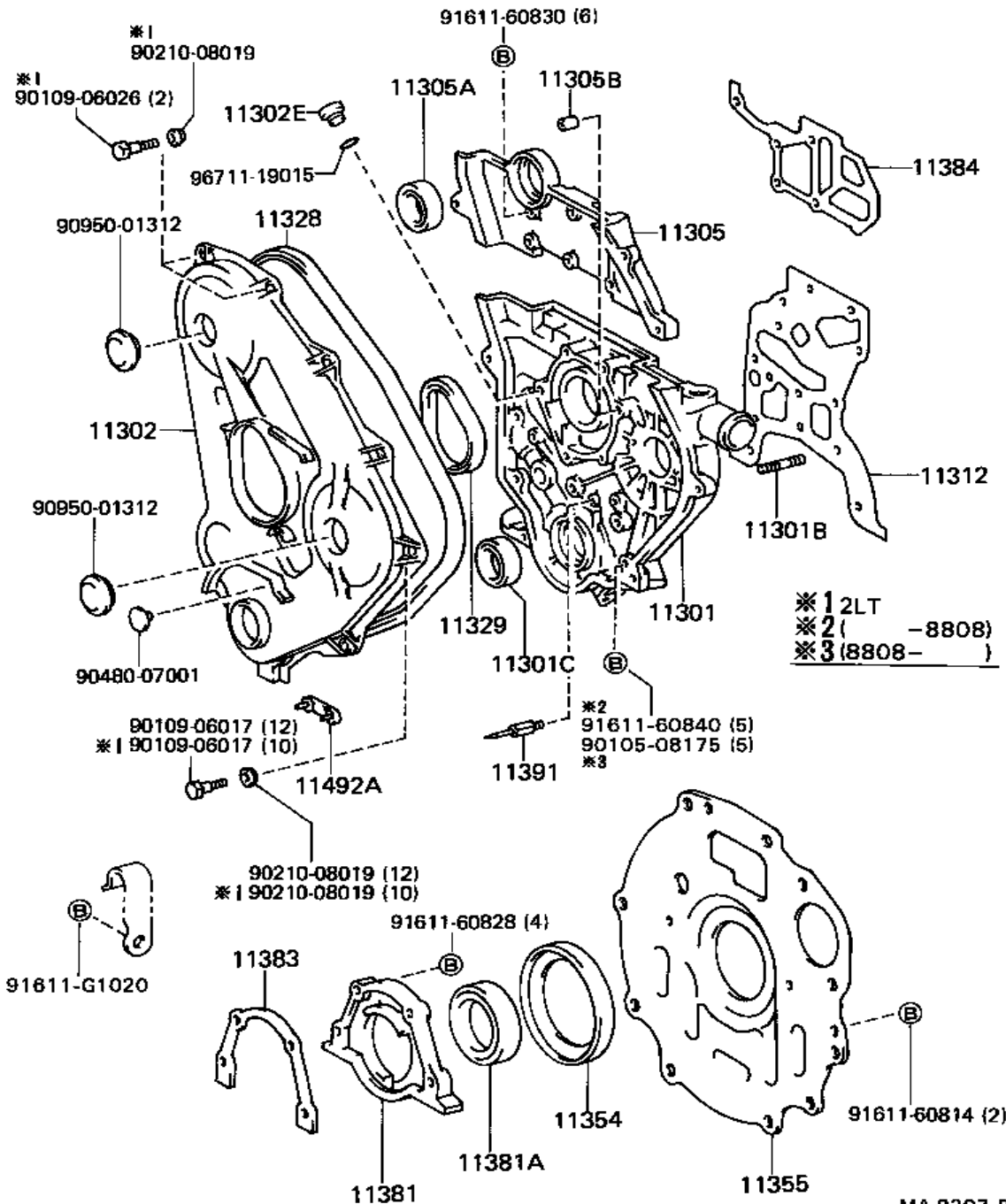
*1 2L, (8708-) 2LT

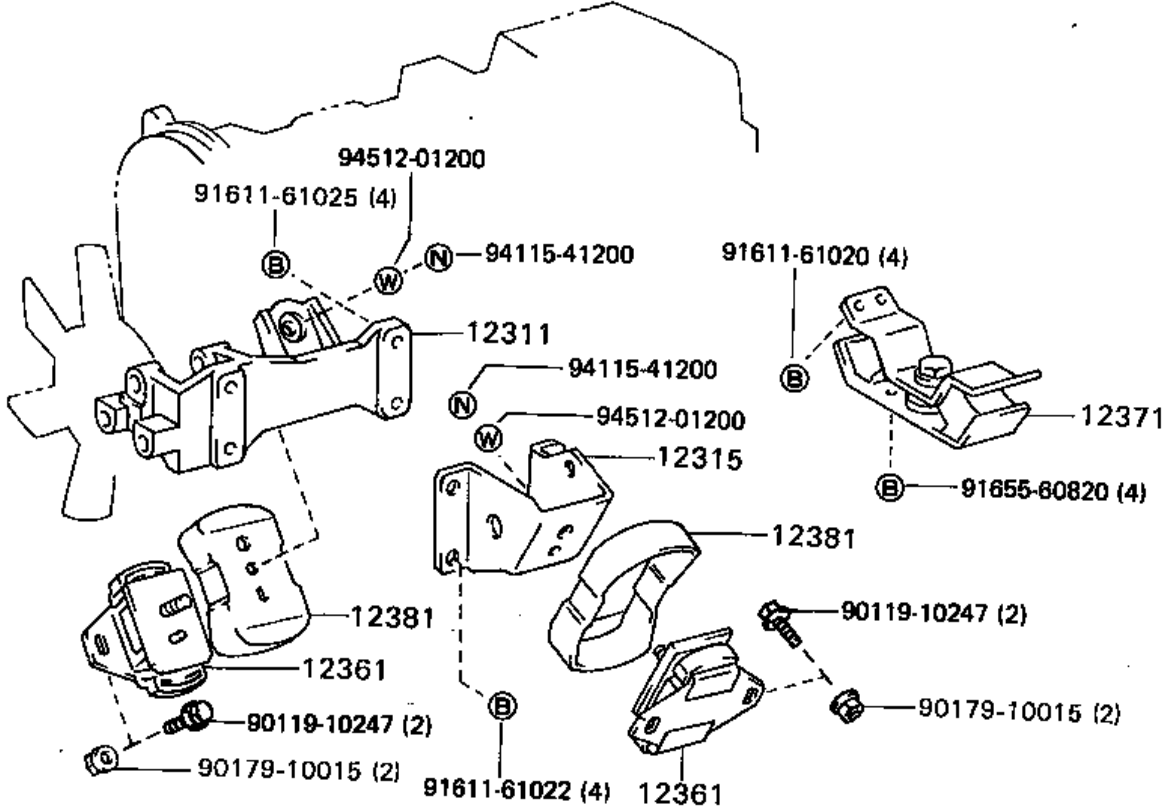
*2 (-8708) 2LT



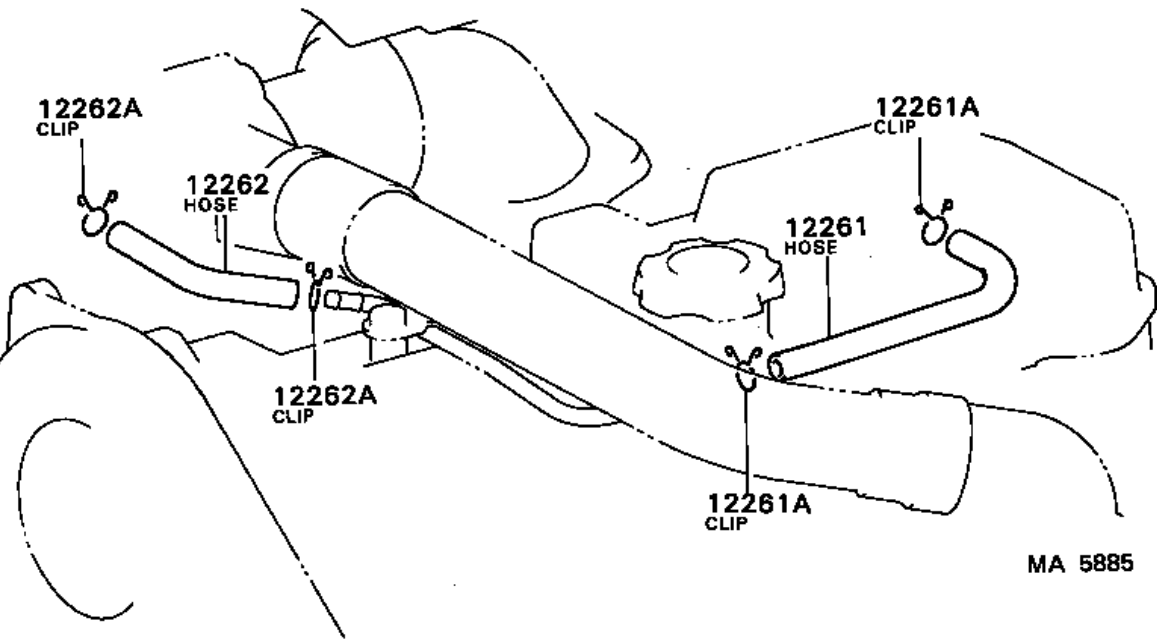


①	<ul style="list-style-type: none"> *190116-08279 (4) *290116-08279 (2)
②	<ul style="list-style-type: none"> *190179-08038 (4) *290179-08038 (2)

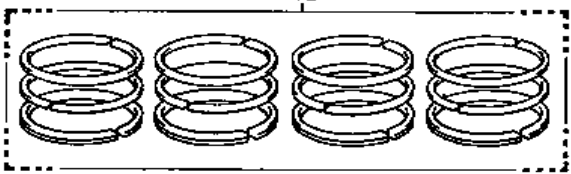




MA 8028-D



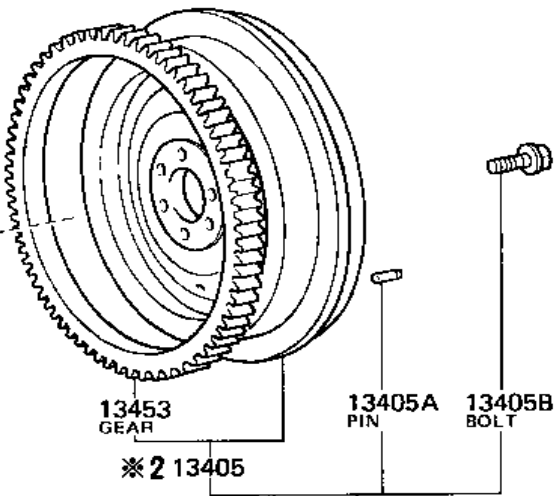
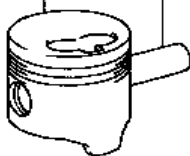
13011
RING



13101
PISTON

13101A
RING

*1 (-8805)
*2 (8805-)



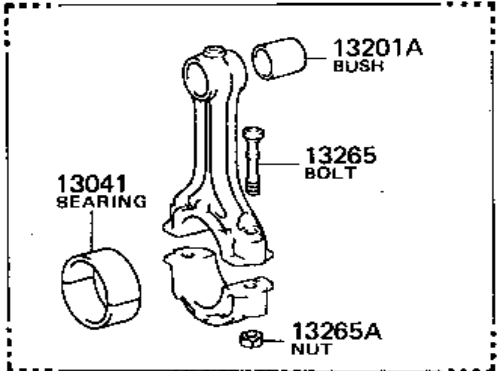
13453
GEAR

13405A
PIN

13405B
BOLT

*2 13405

*1 13405



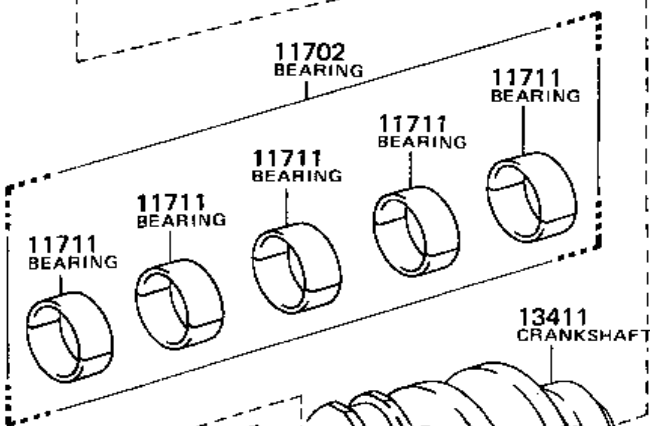
13201A
BUSH

13265
BOLT

13041
BEARING

13265A
NUT

13201
ROD



11702
BEARING

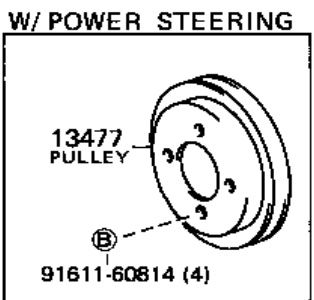
11711
BEARING

11711
BEARING

11711
BEARING

11711
BEARING

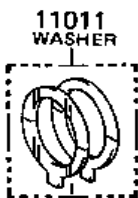
11711
BEARING



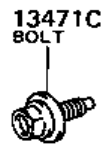
W/ POWER STEERING

13477
PULLEY

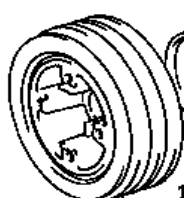
91611-60814 (4)



11011
WASHER



13471C
BOLT



13471
PULLEY

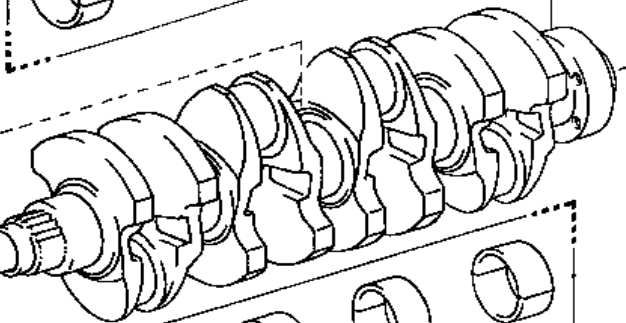
13566A
GUIDE

13521P
PULLEY

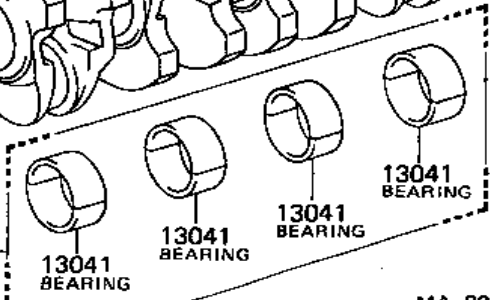
13471A
KEY

13521A
KEY

13202
BEARING



13411
CRANKSHAFT

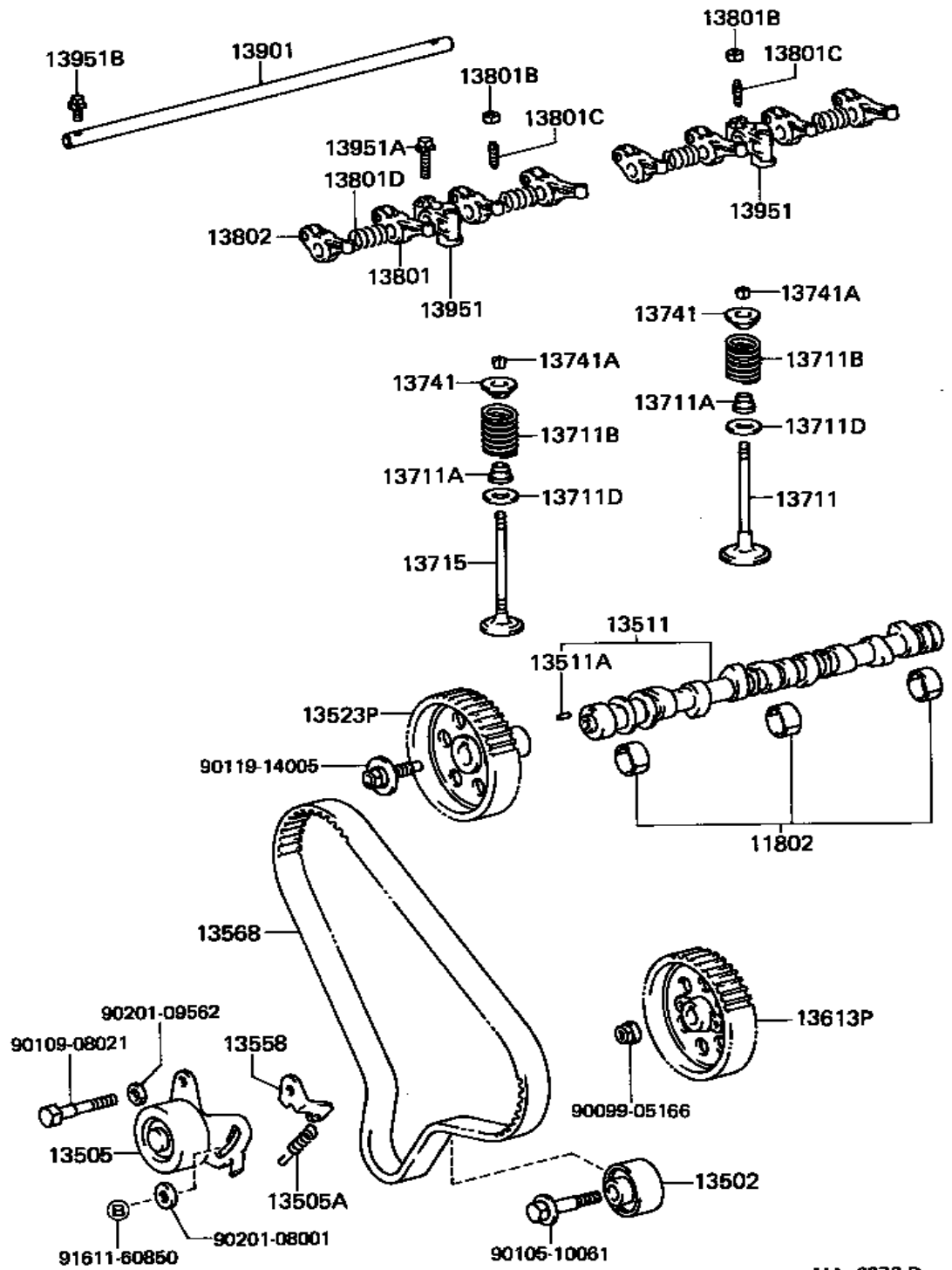


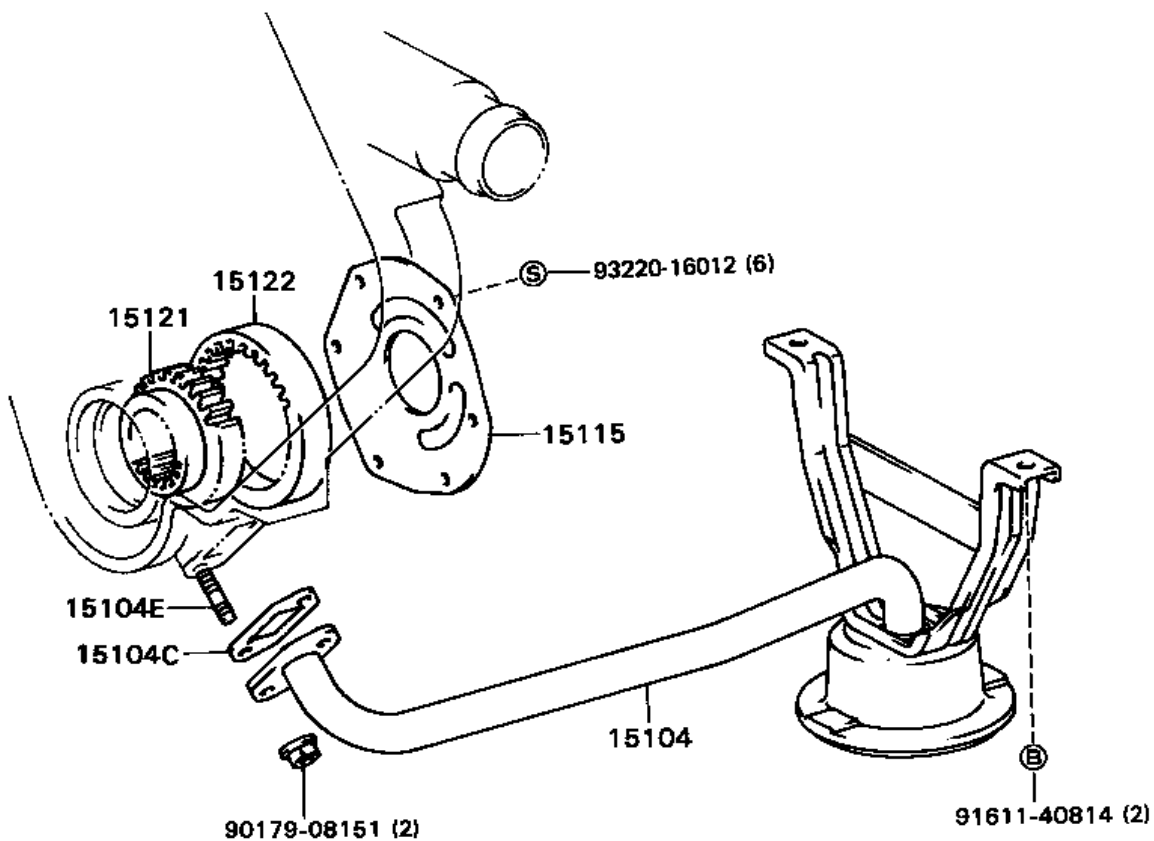
13041
BEARING

13041
BEARING

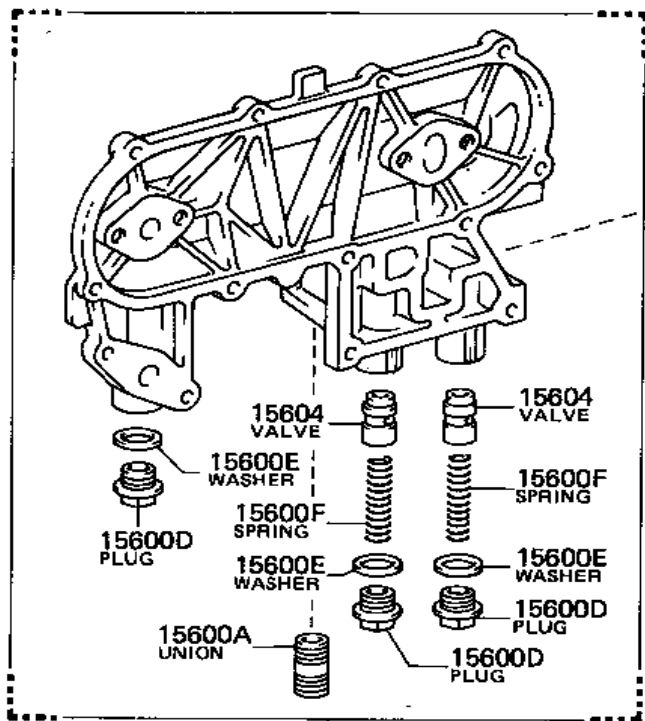
13041
BEARING

13041
BEARING

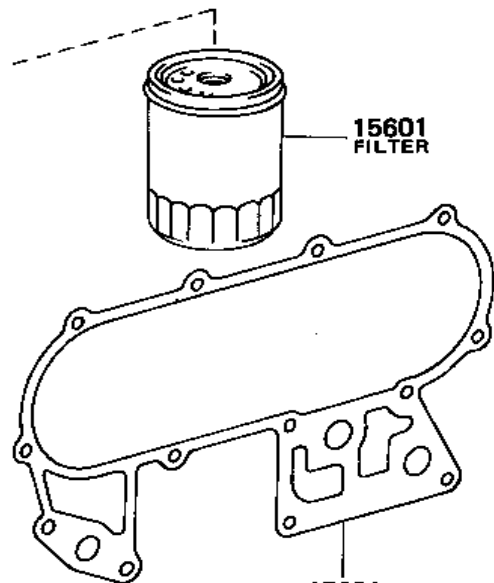




MA 7379-C

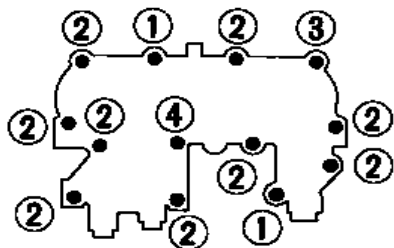




15609
BRACKET



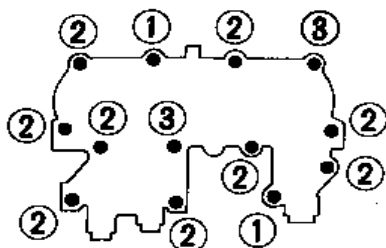
15691
GASKET



(8704—)



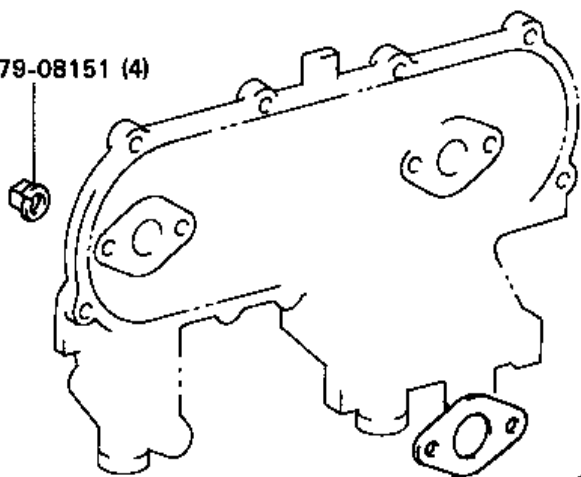
①	 Refer to FIG. 11-05  90179-08151 (2)
②	Ⓑ—91611-G0825 (9)
③	Ⓑ—91611-G0835
④	Ⓑ—91611-G0840

(—8704)



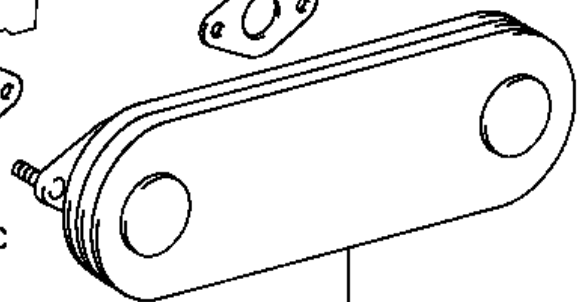
①	 Refer to FIG. 11-05  90179-08040 (2)
②	Ⓑ—91611-60825 (9)
③	Ⓑ—91611-60835 (2)

90179-08151 (4)



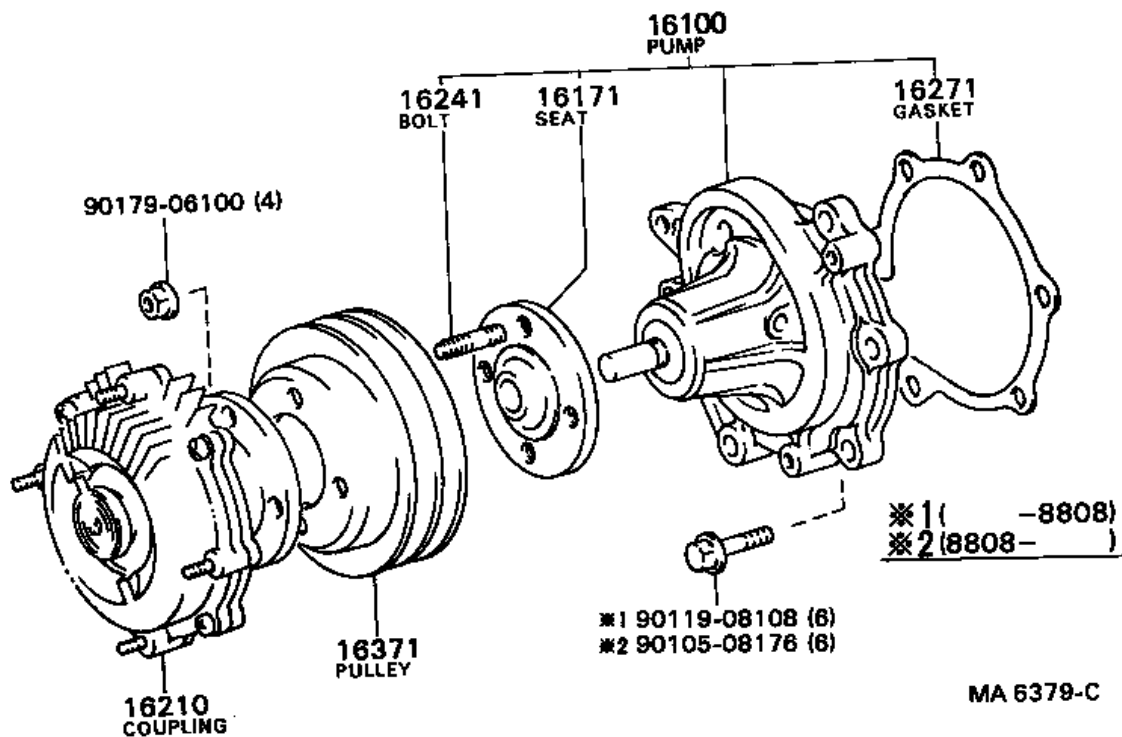
15710C

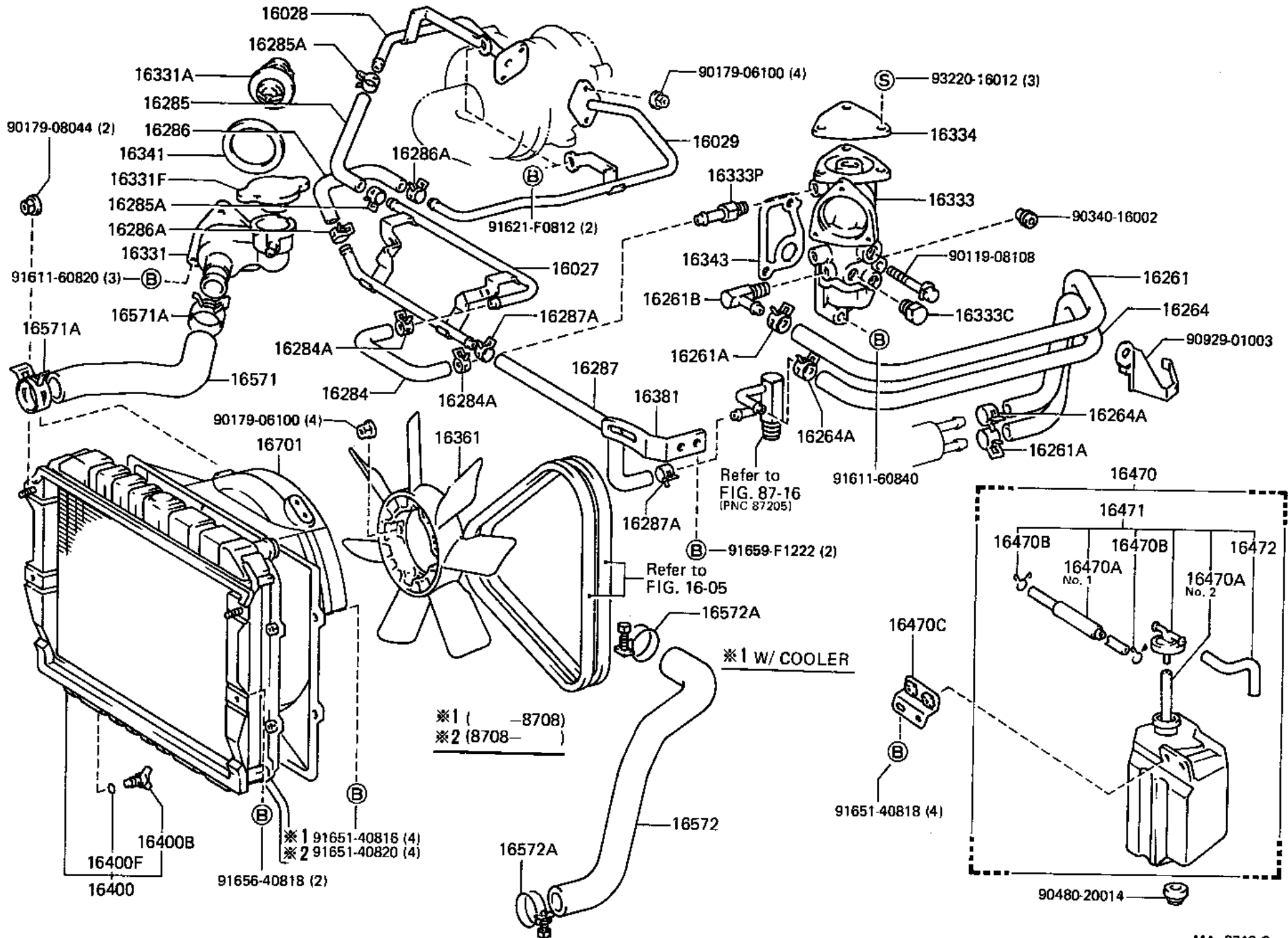
15710C



15710

MA 7112-E



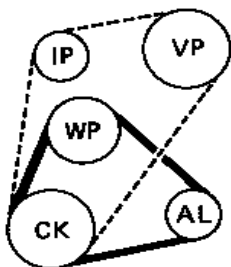


IP : Idle Pulley
 VP : Vane Pump
 WP : Water Pump
 AL : Alternator
 CK : Crankshaft
 CC : Cooler Compressor

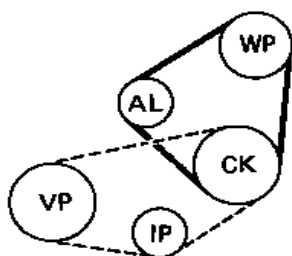
AP : Air Pump

	PNC		
—————	16361A		
-----	44310A		
—————	88310A		

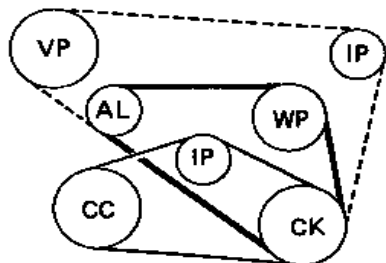
22R#

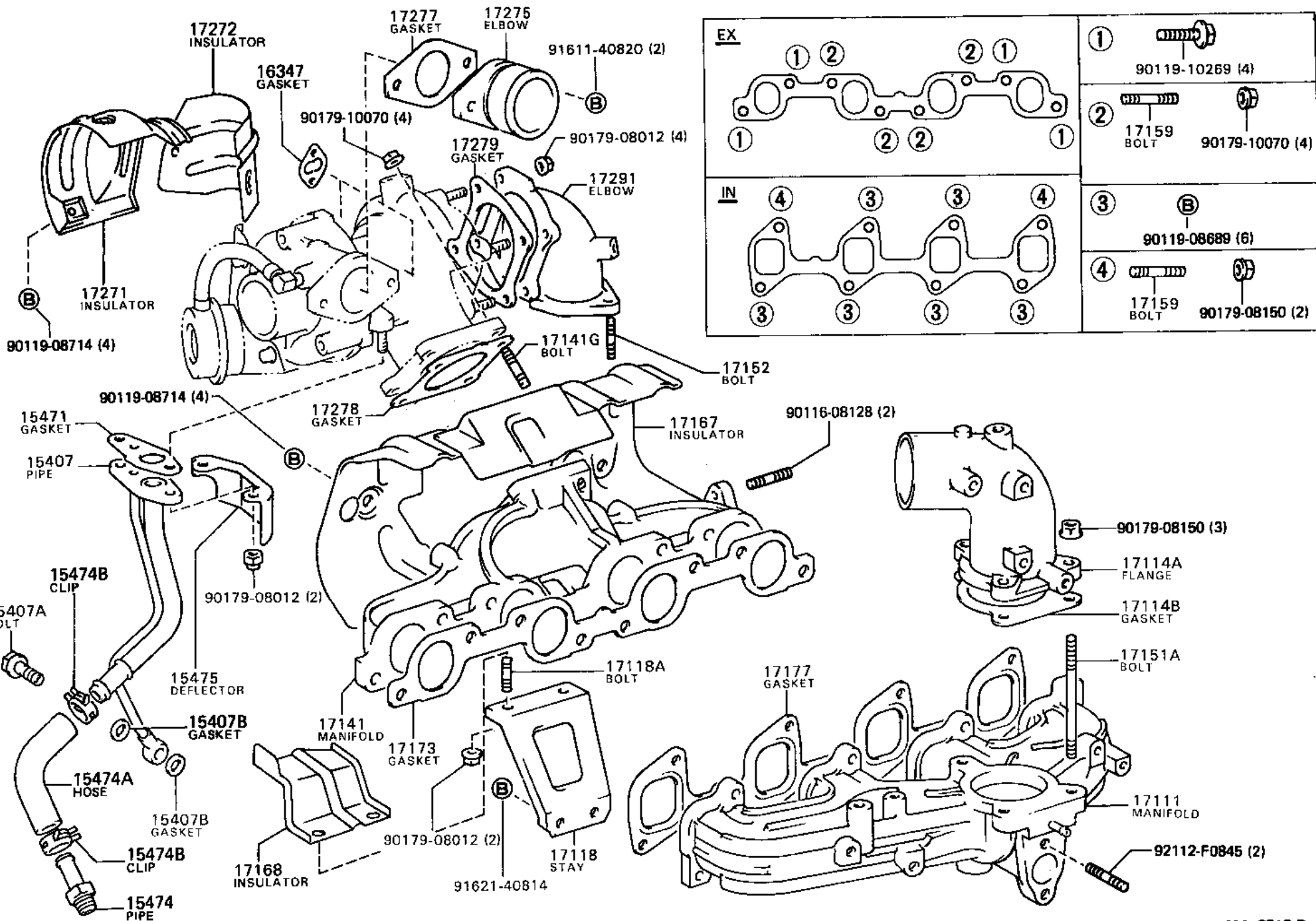


2L, 2LT

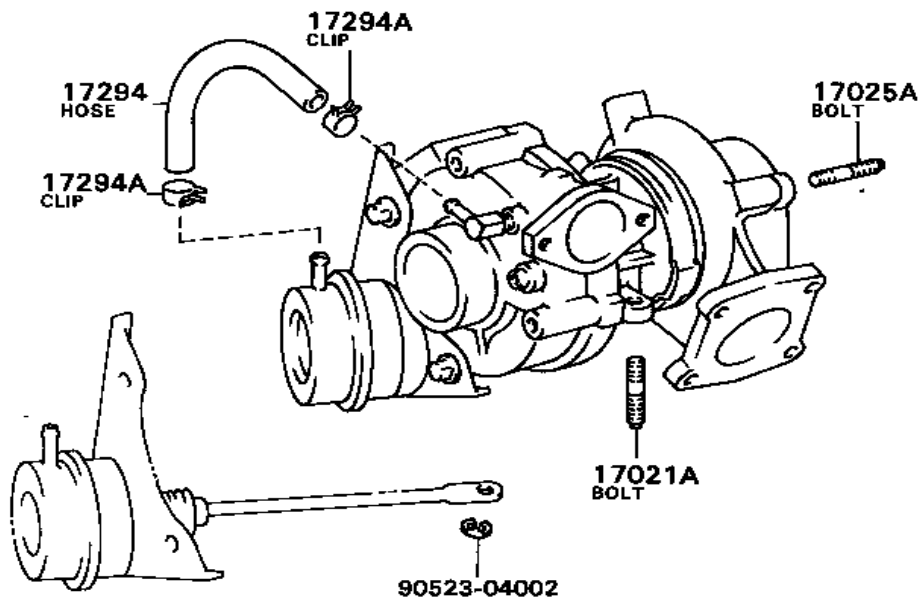


3B, 13BT

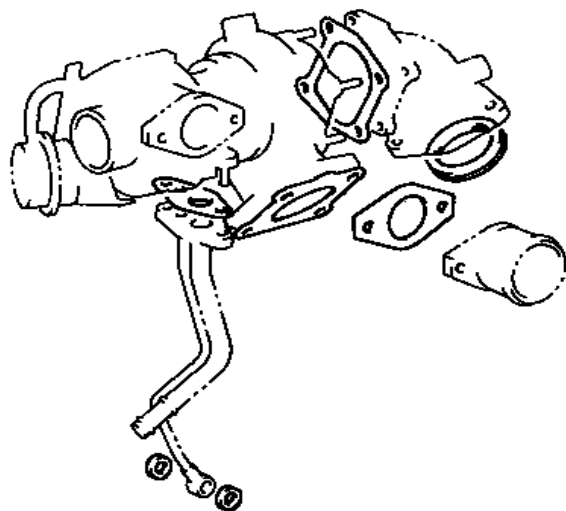


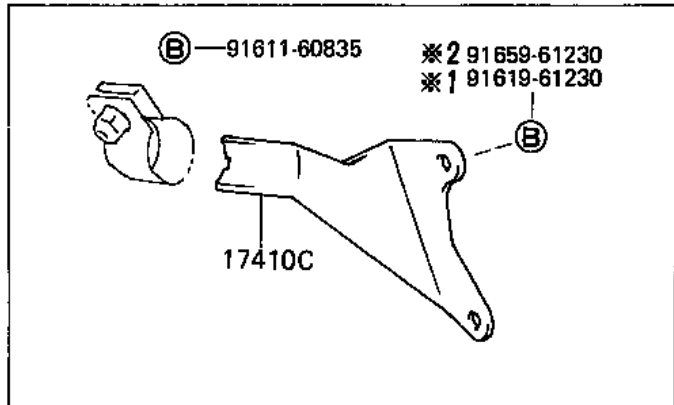


17201
TURBOCHARGER

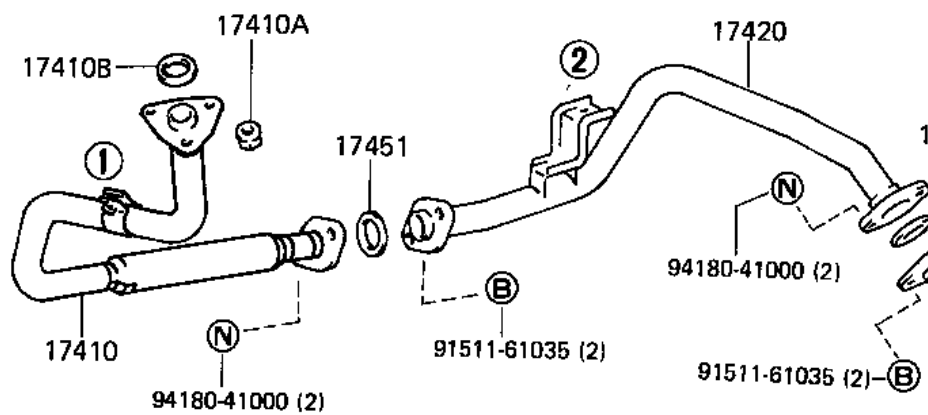


04175
GASKET KIT

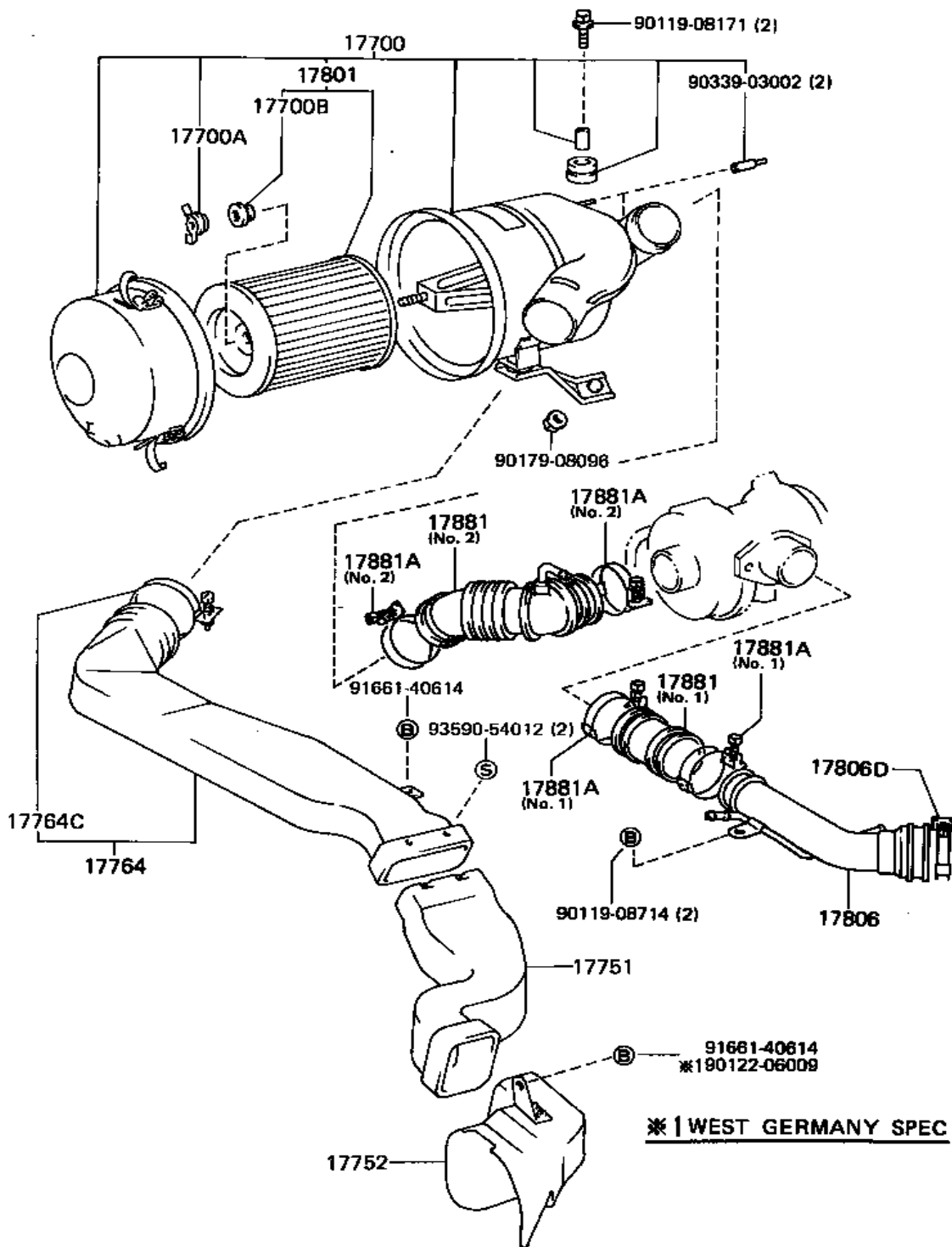


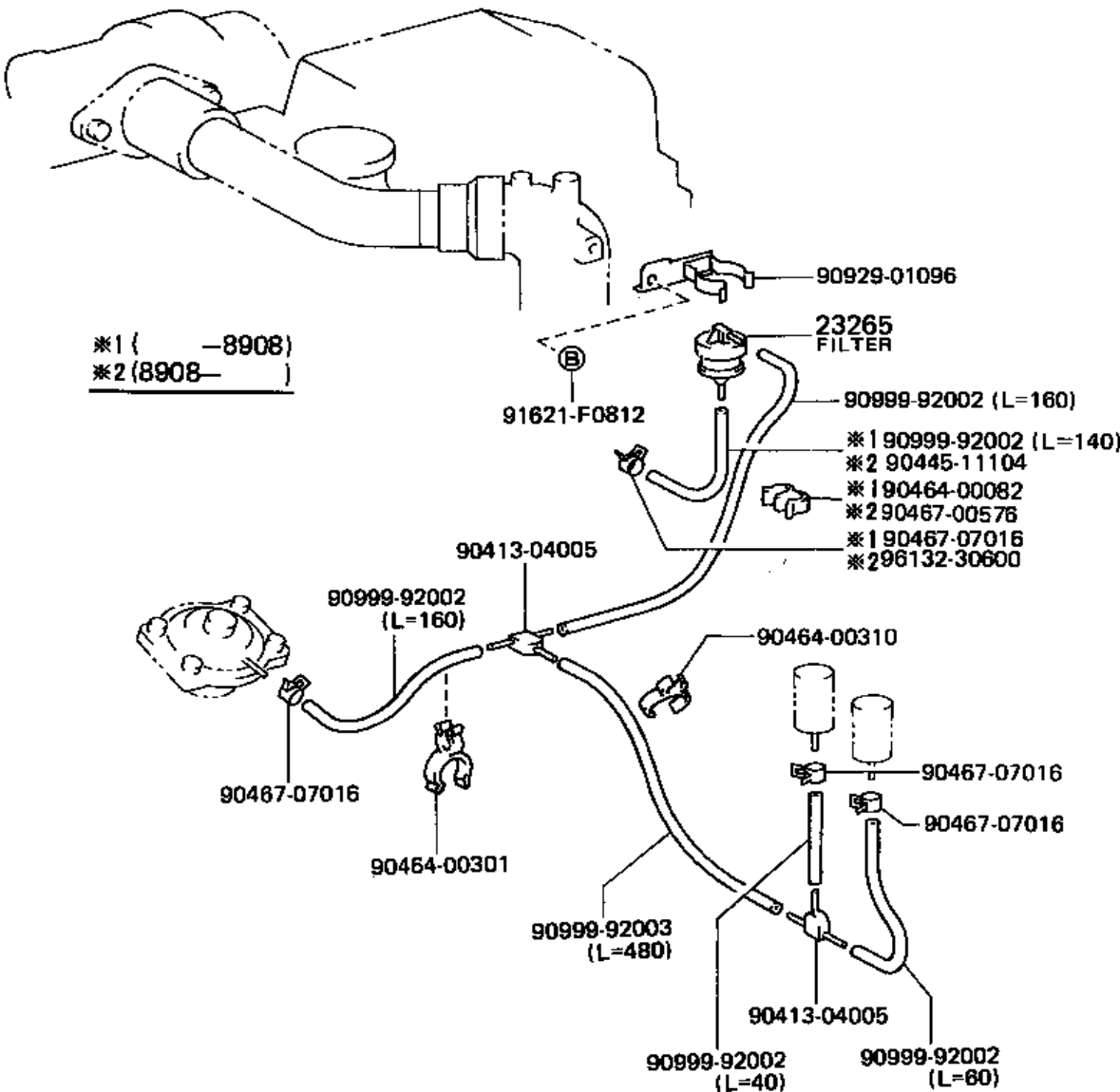


①



*12L
 *22LT





MA 8718-D

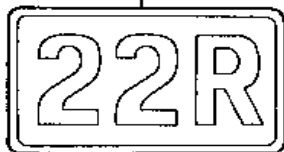
11283
PLATE

CAUTION FOR TURBOCHARGED ENGINE

11284



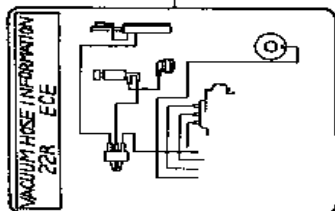
11291
PLATE



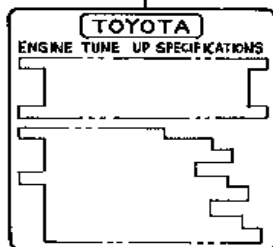
11293
PLATE



17792
PLATE



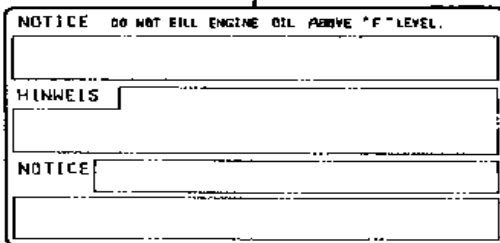
11293A
PLATE



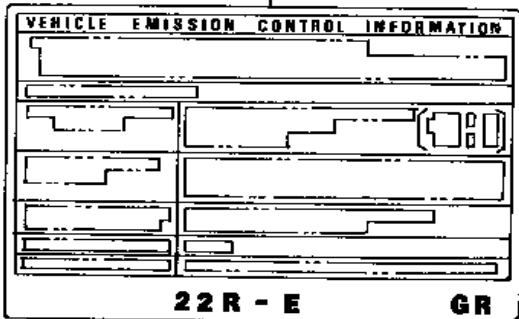
17700C
PLATE



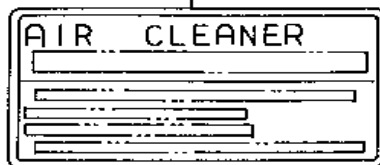
11294

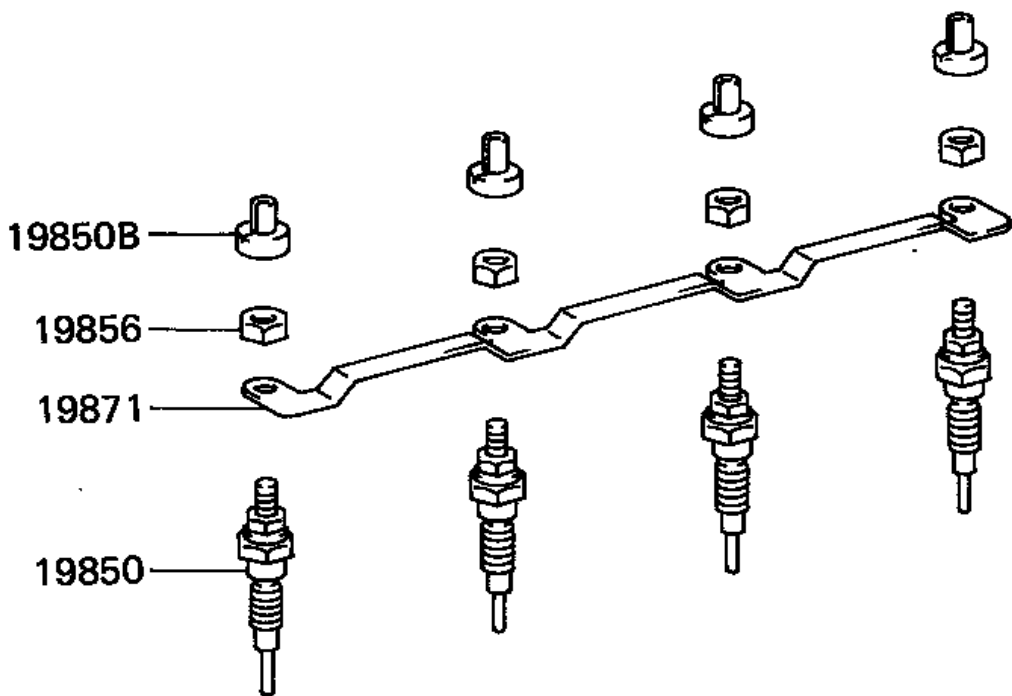


11298



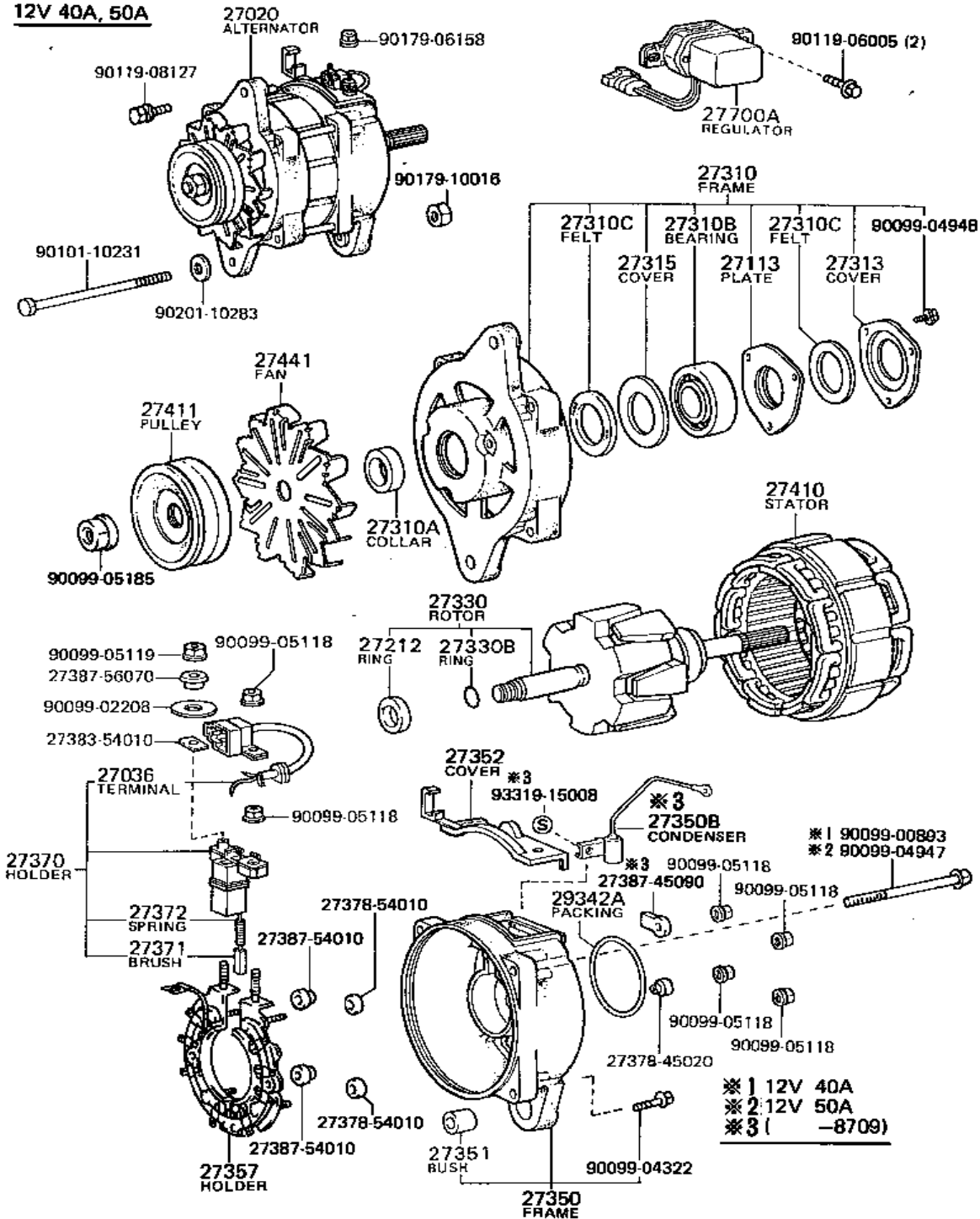
17791





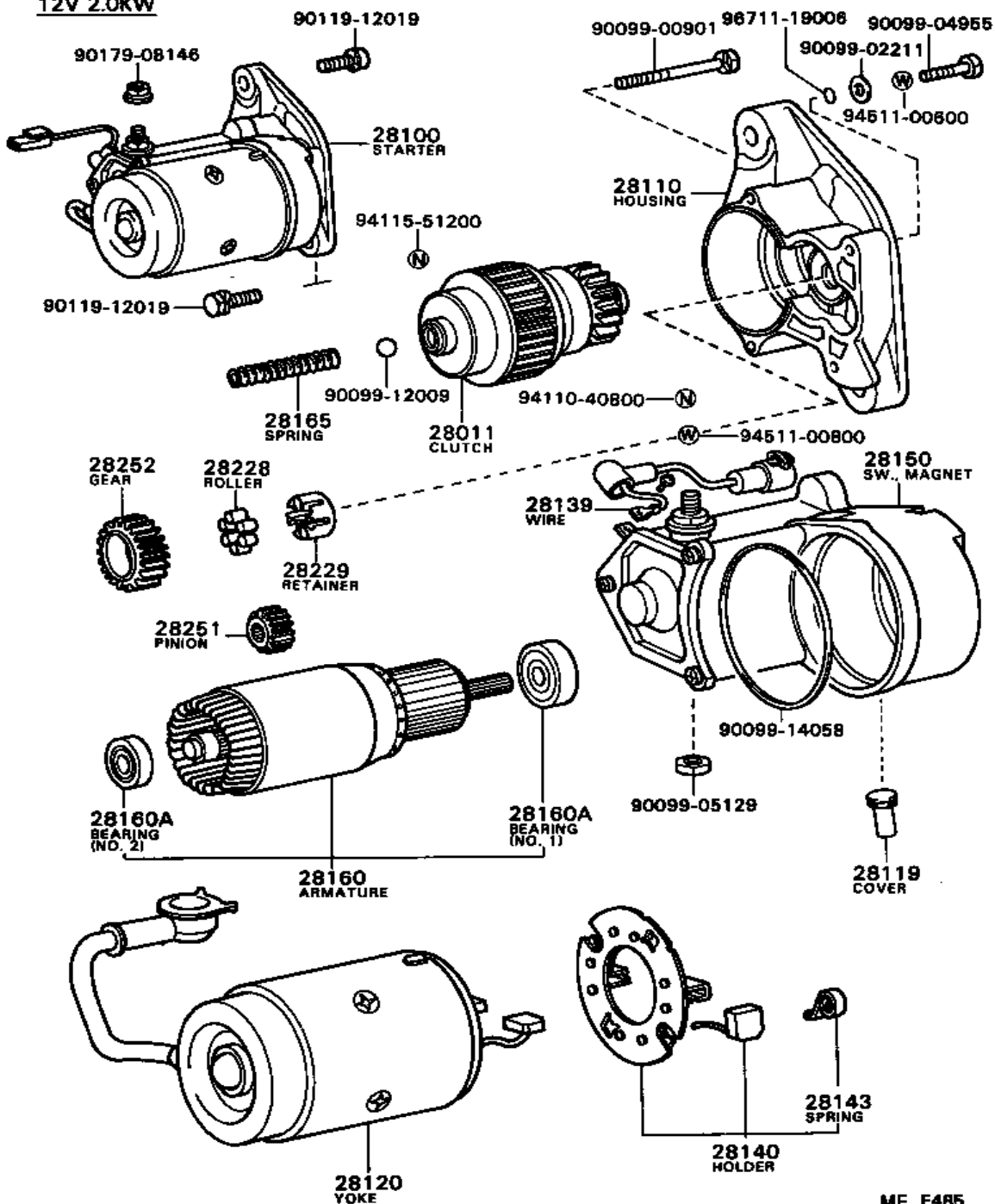
ME 7990-E

12V 40A, 50A

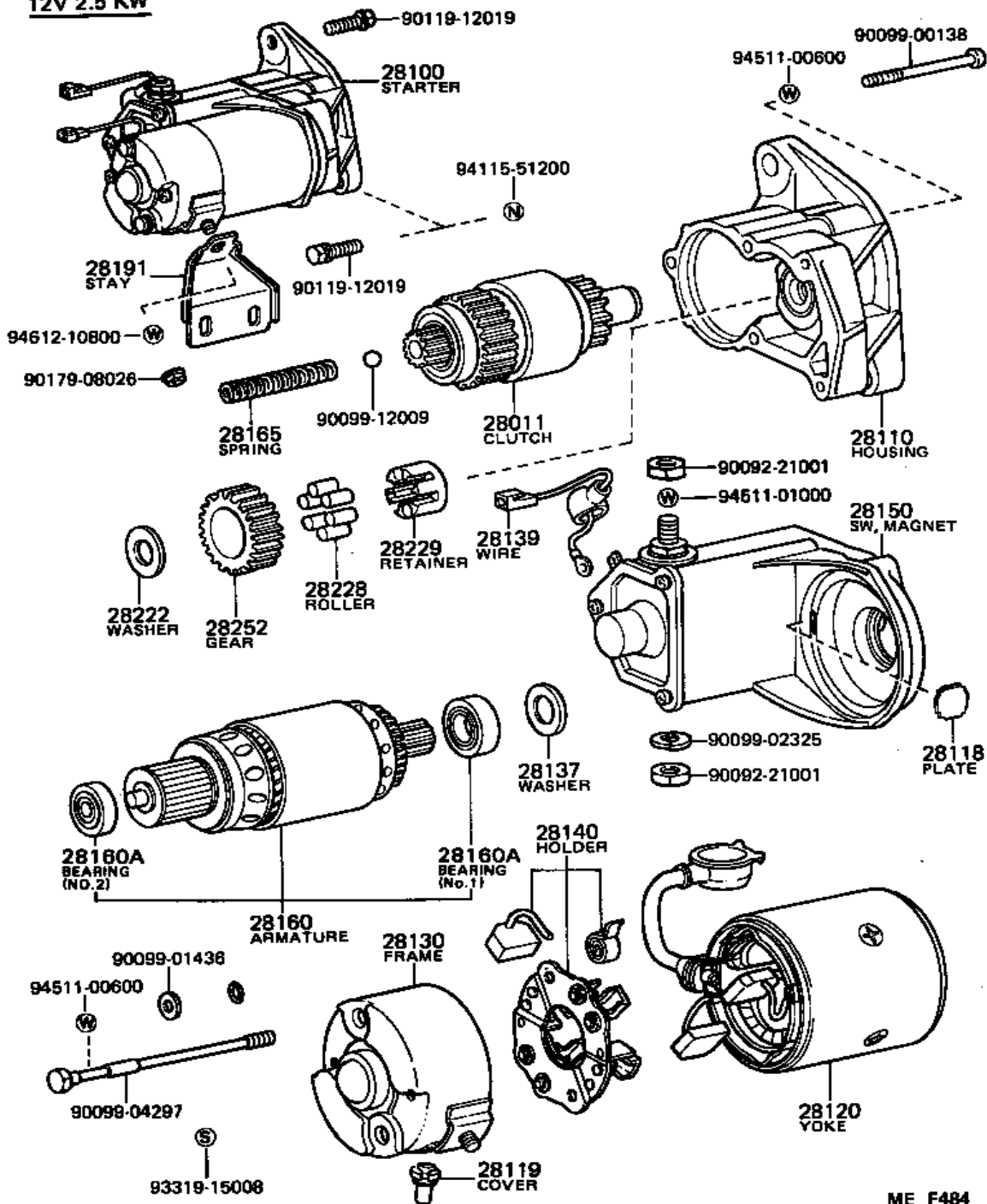


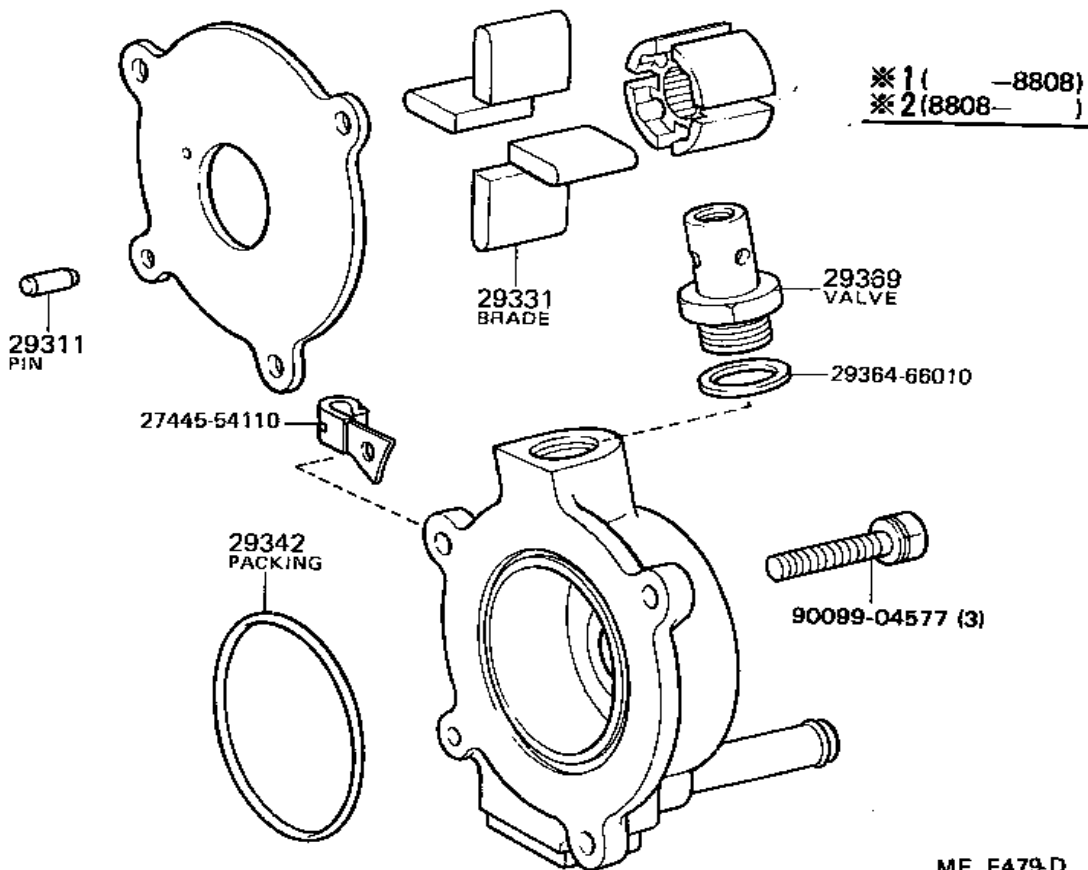
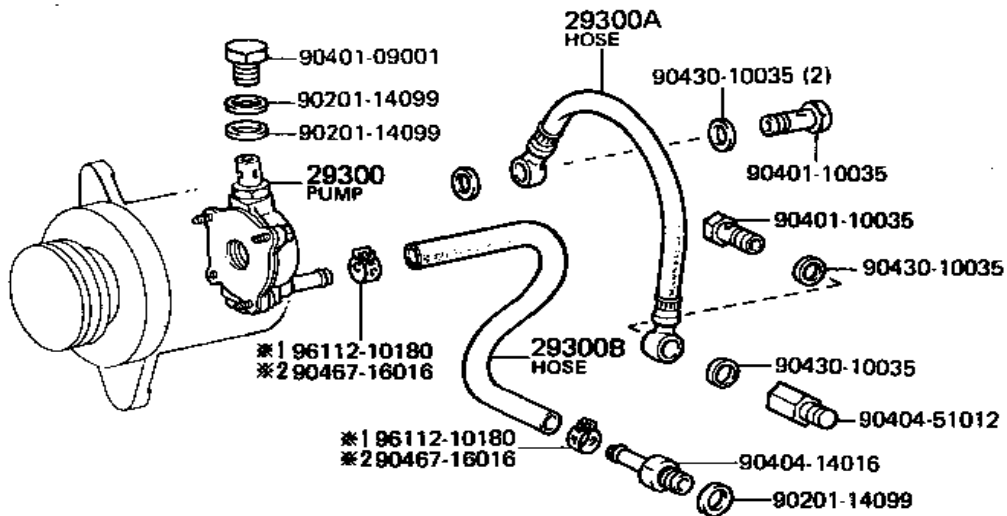
- *1 12V 40A
- *2 12V 50A
- *3 (-8709)

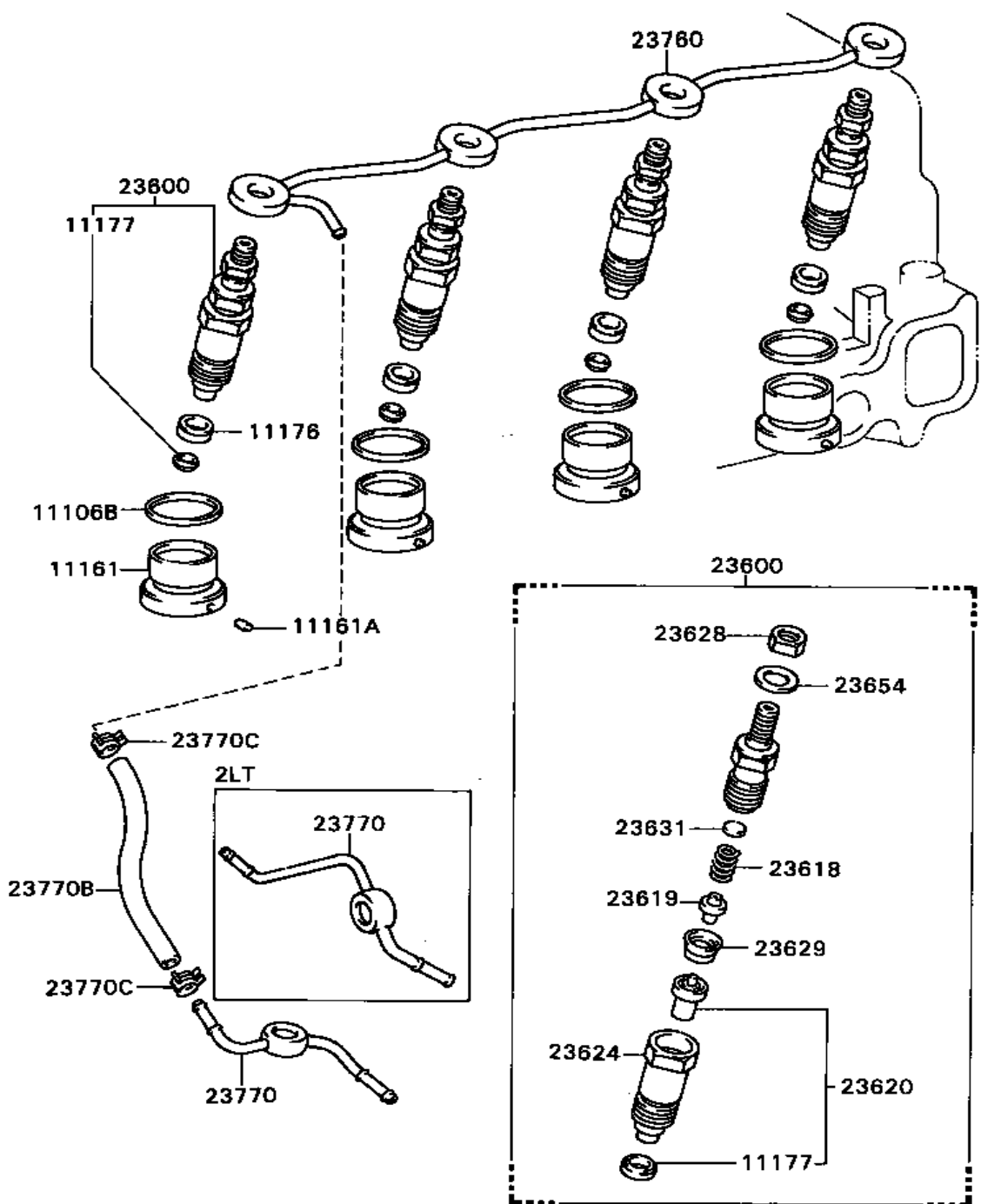
12V 2.0KW

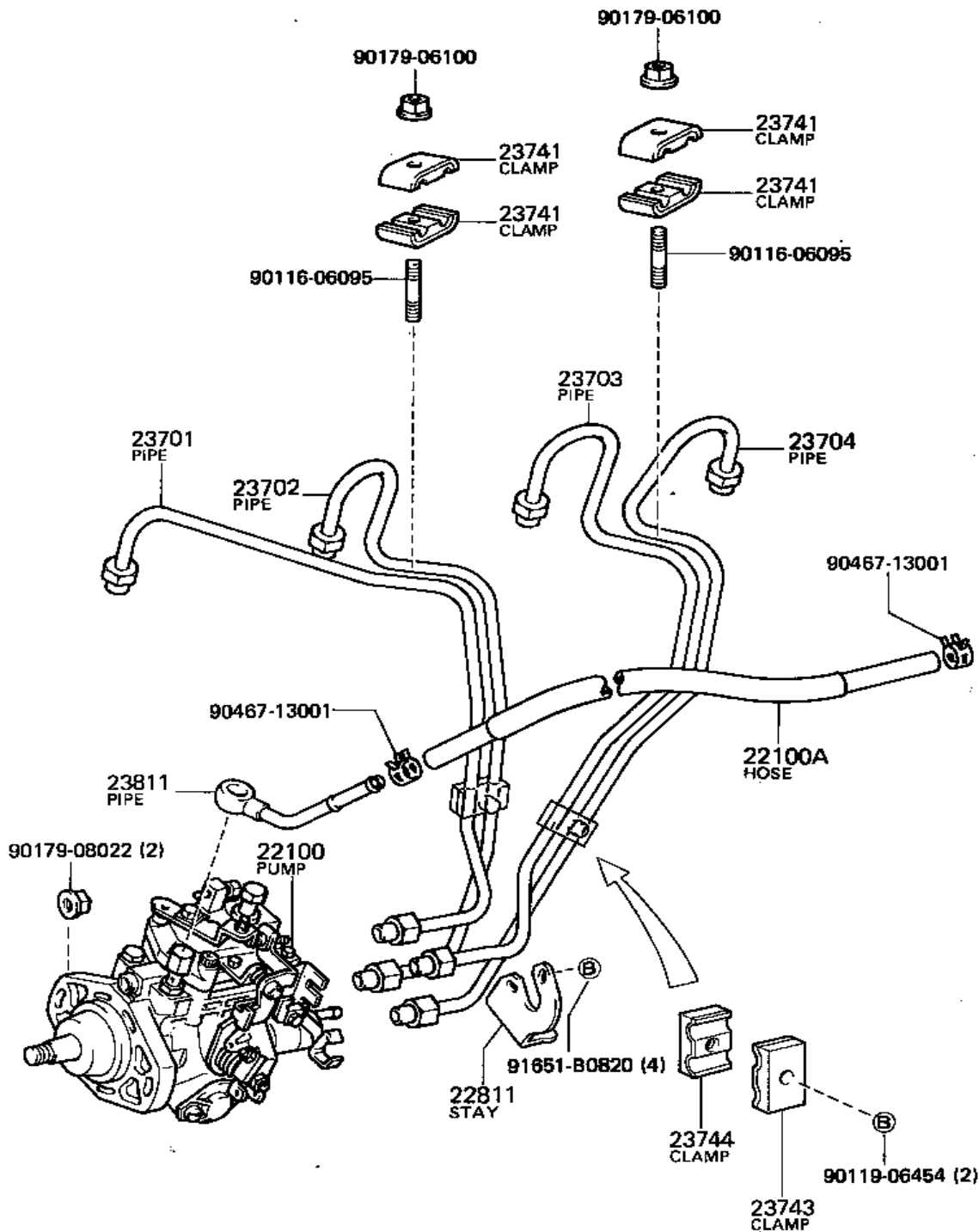


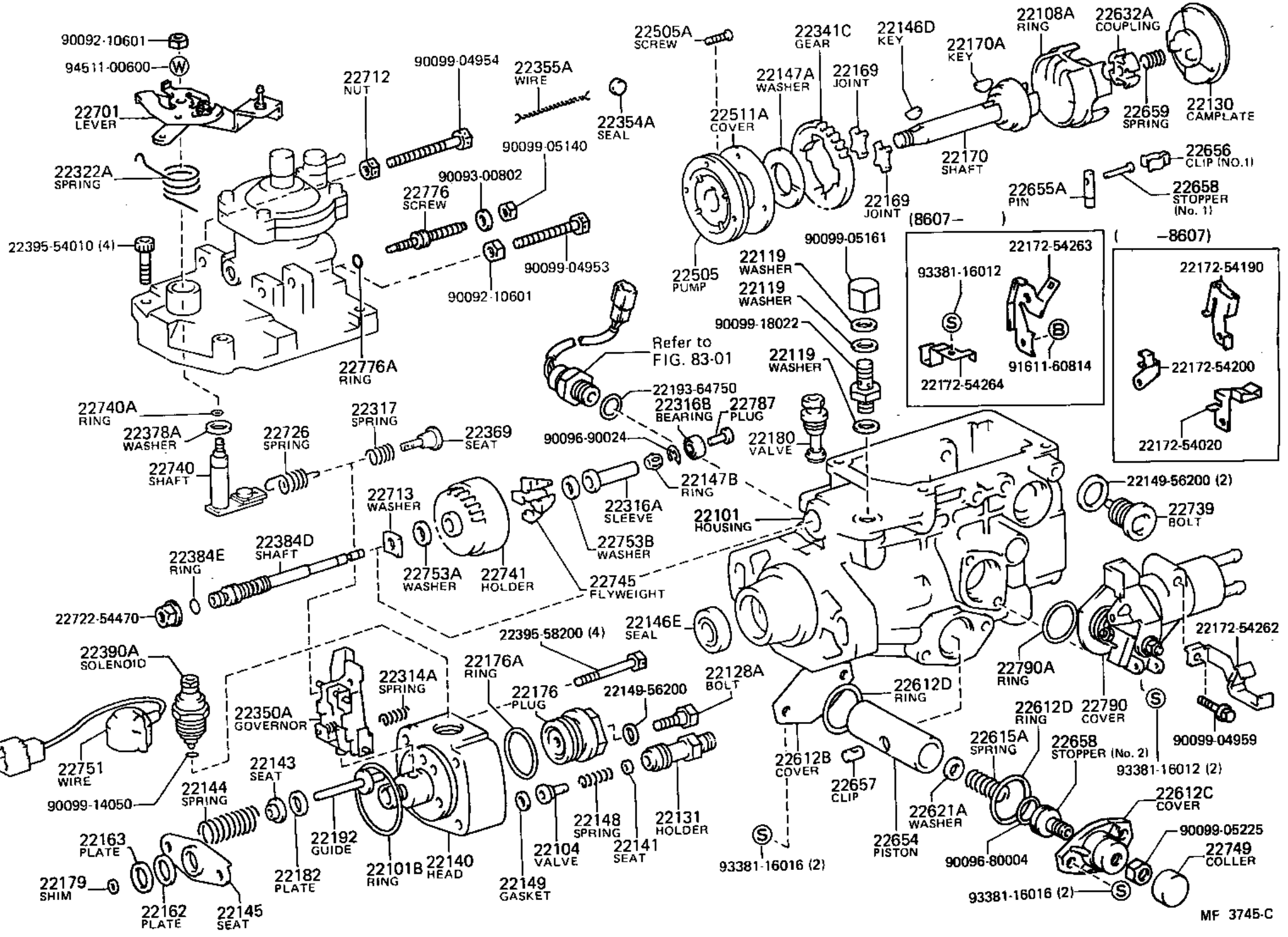
12V 2.5 KW

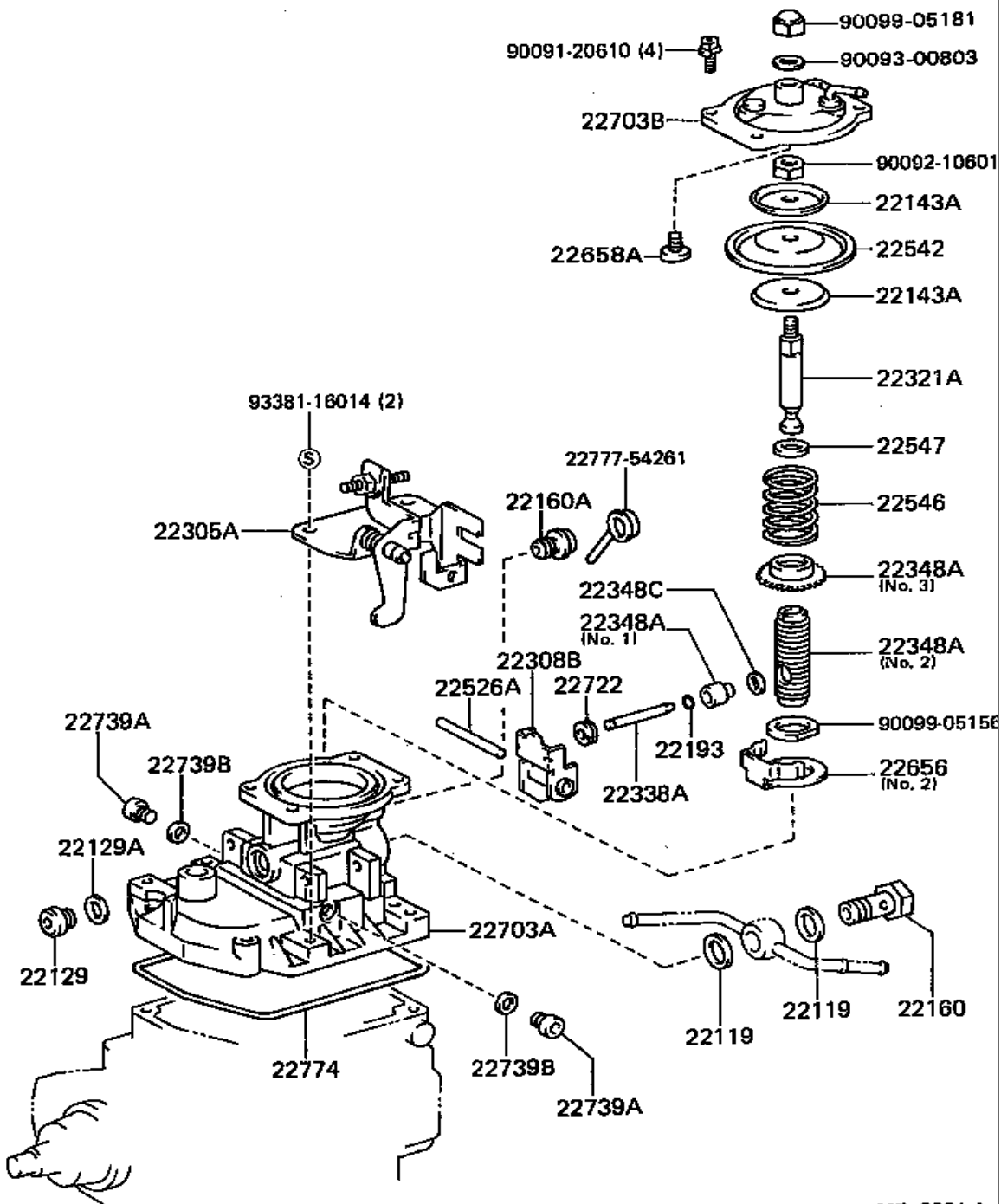












COLD SPEC

