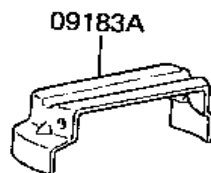
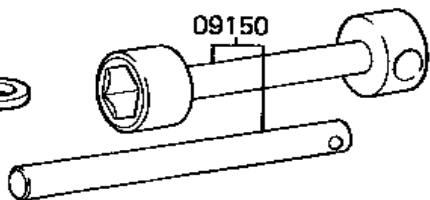
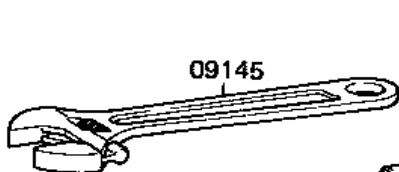
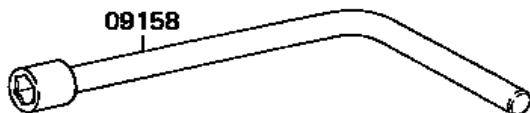
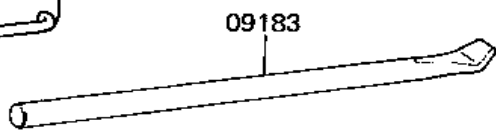
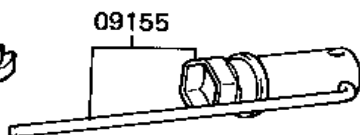
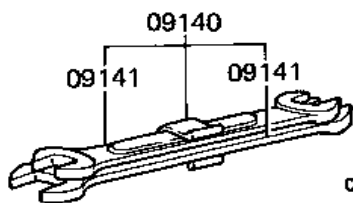
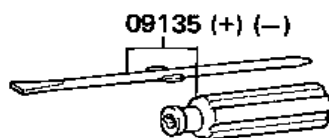
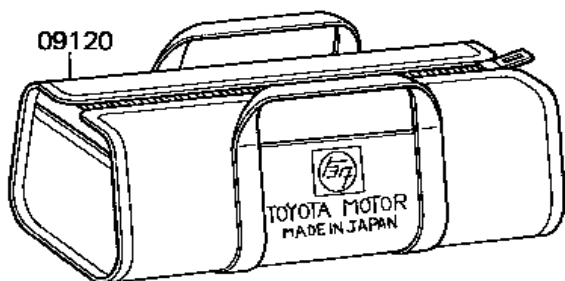
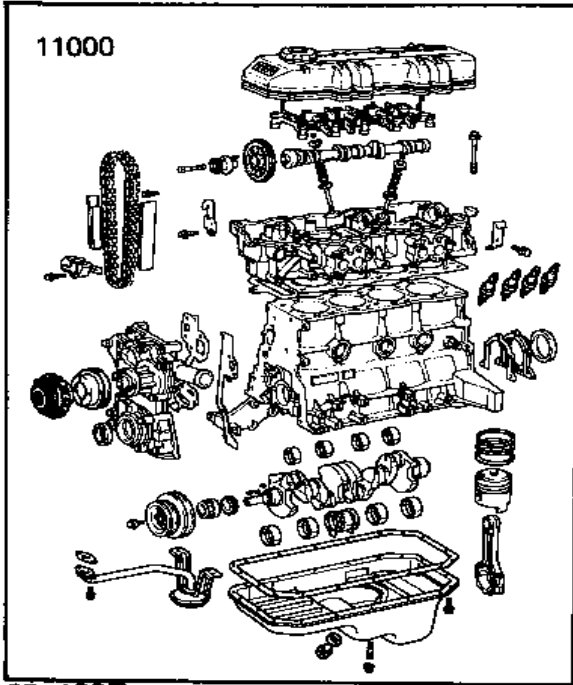


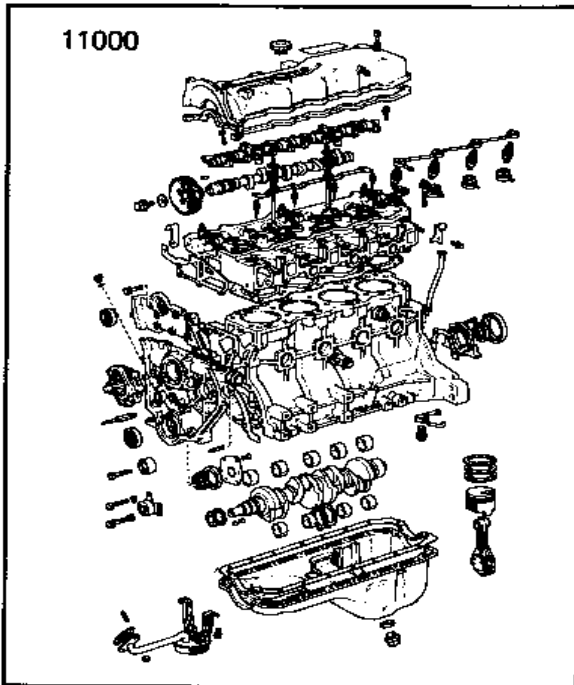
※ W/ SUN ROOF



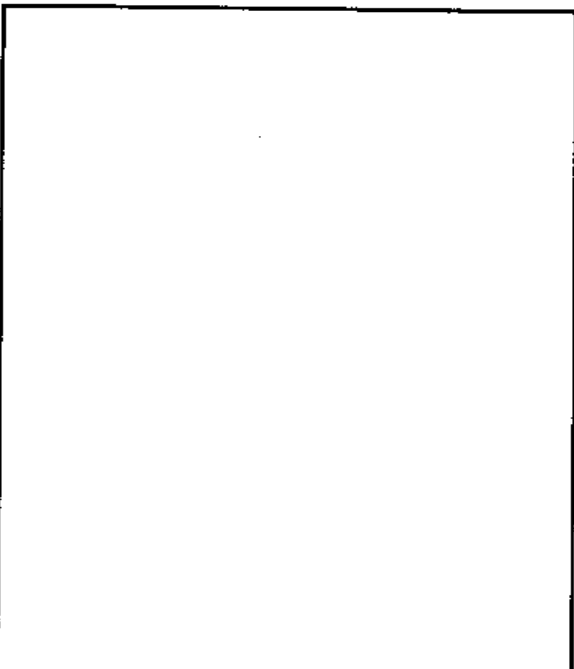
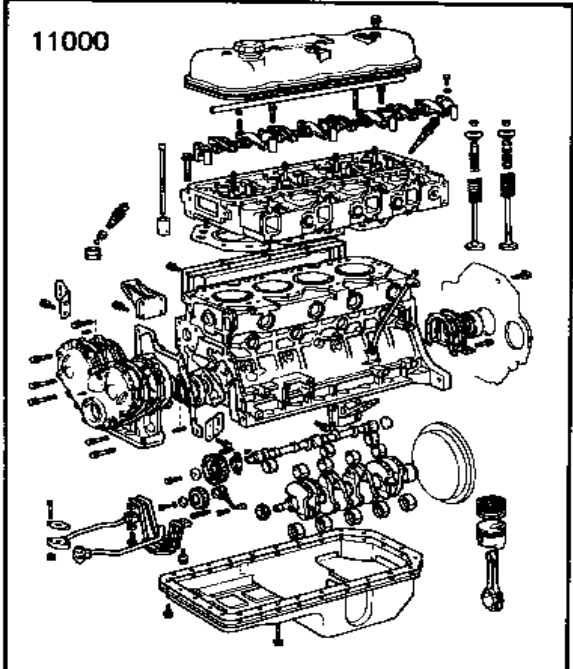
22R#



2L#

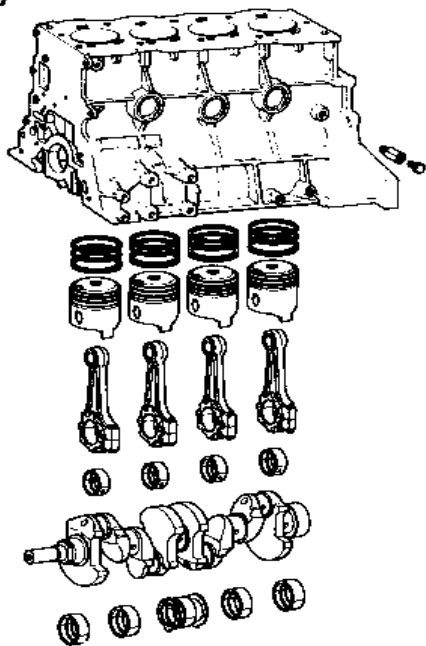


3B, 13B1



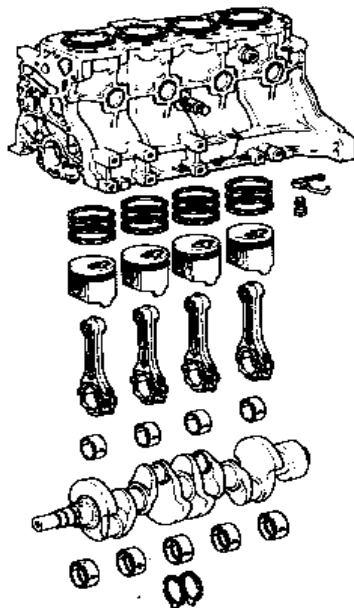
22R#

11400



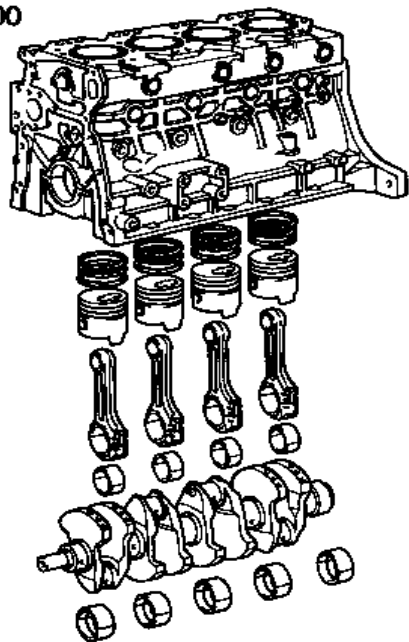
2L#

11400

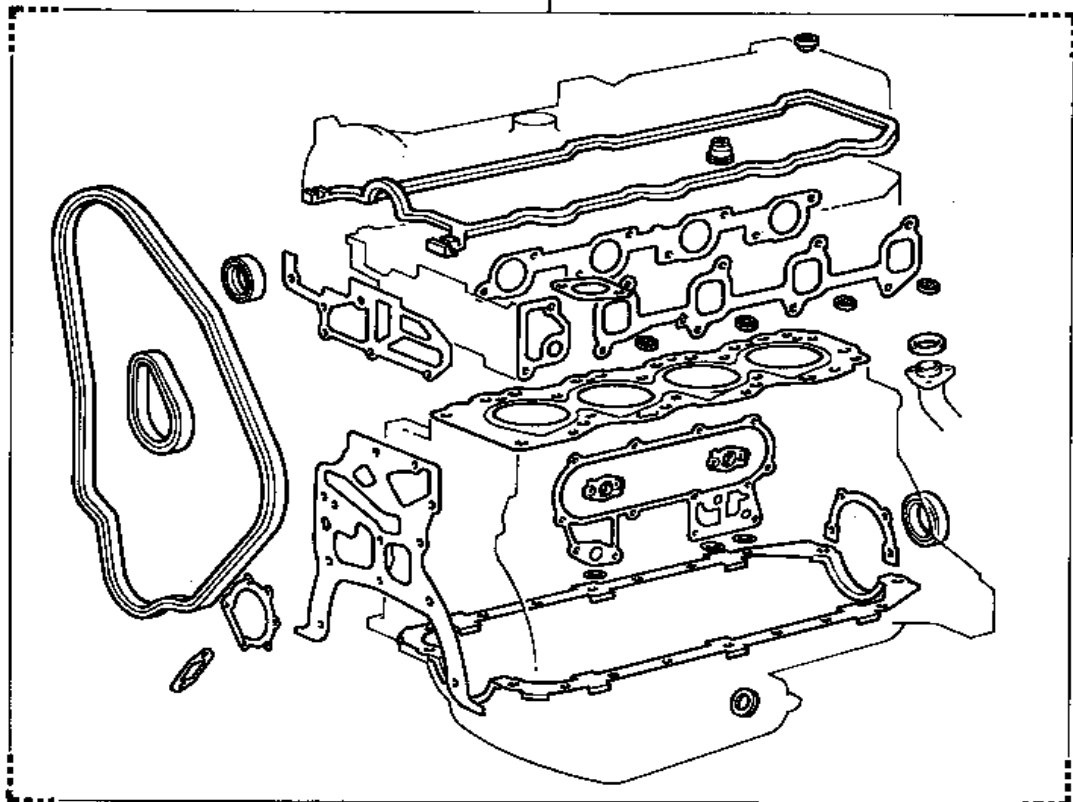


3B, 13BT

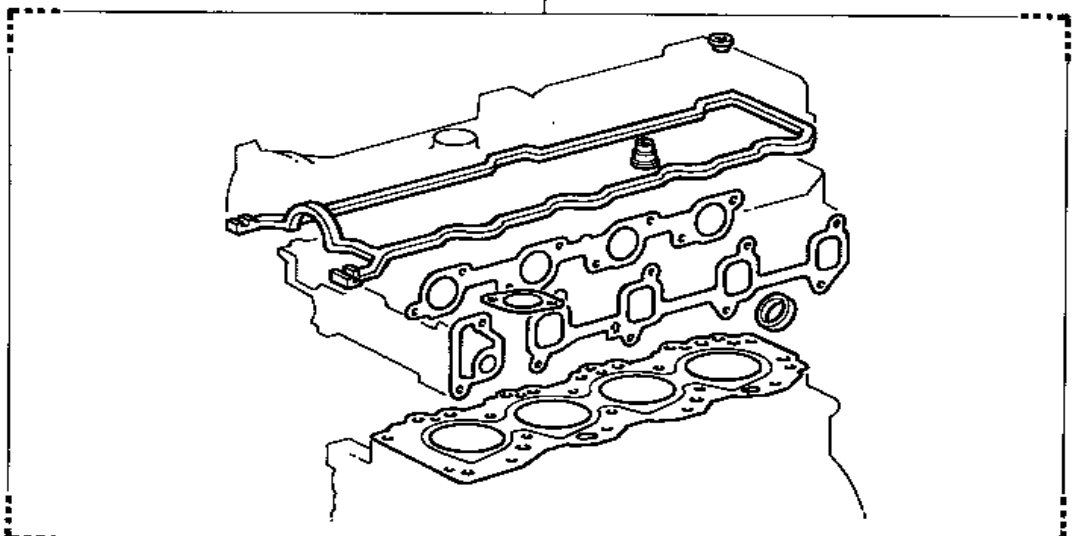
11400

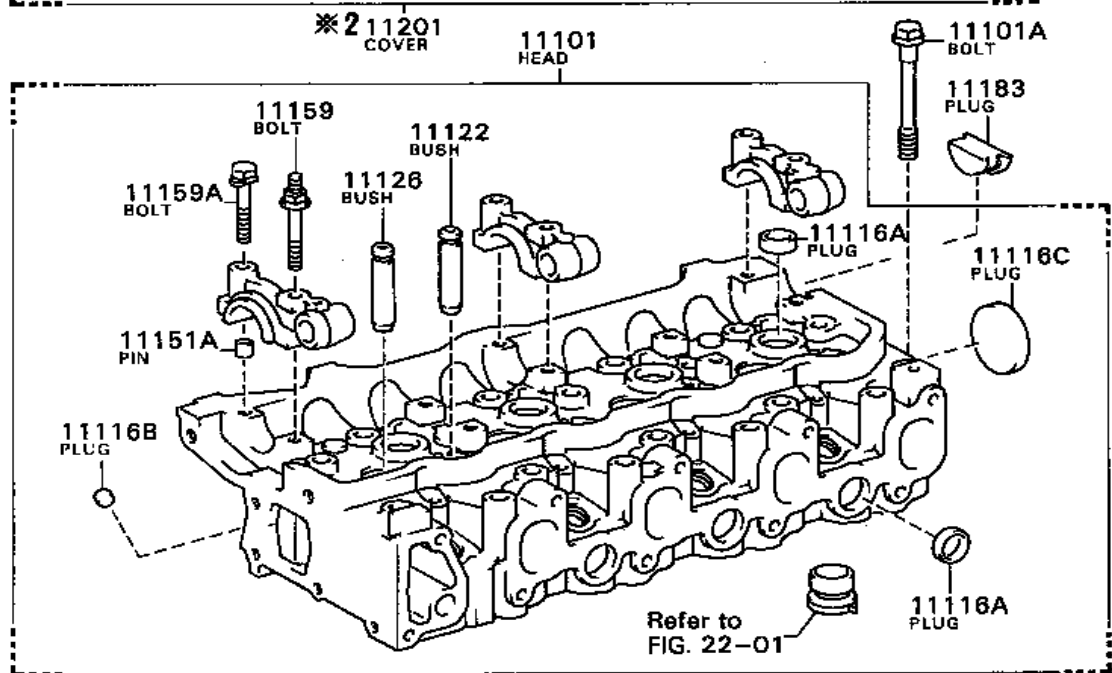
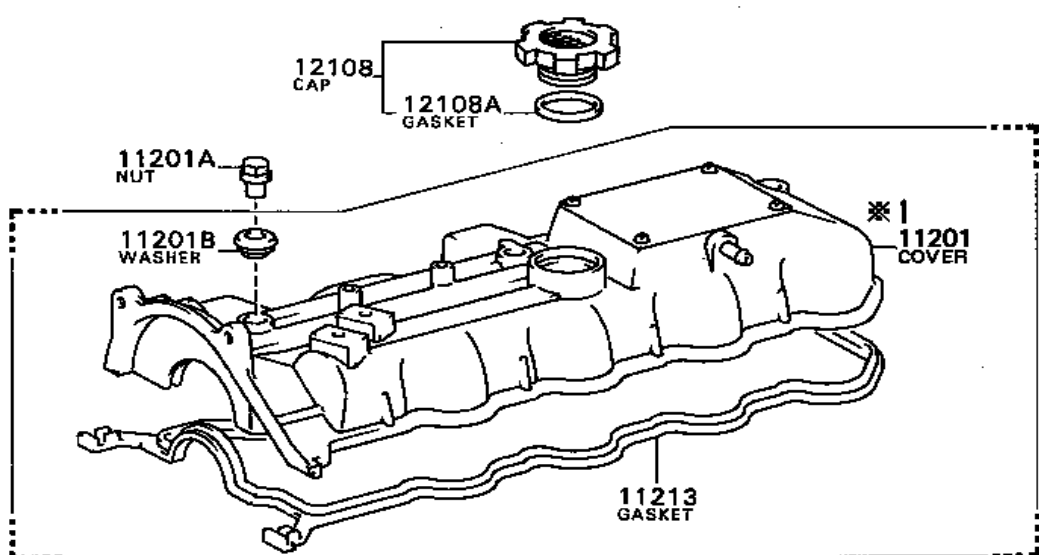


04111



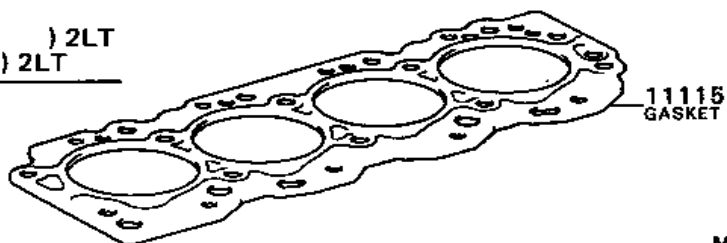
04112

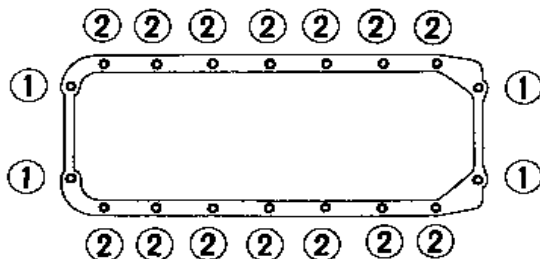
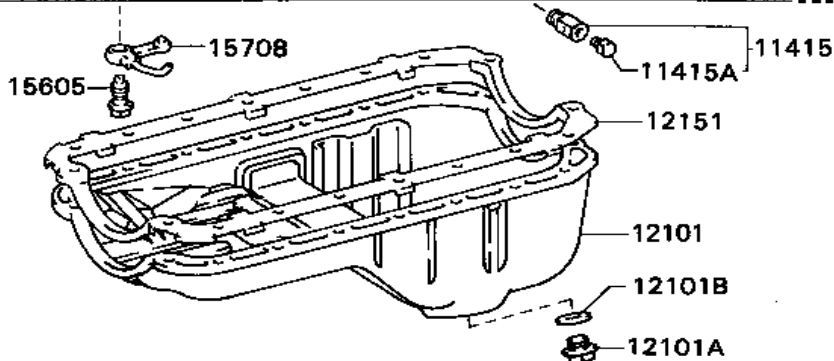
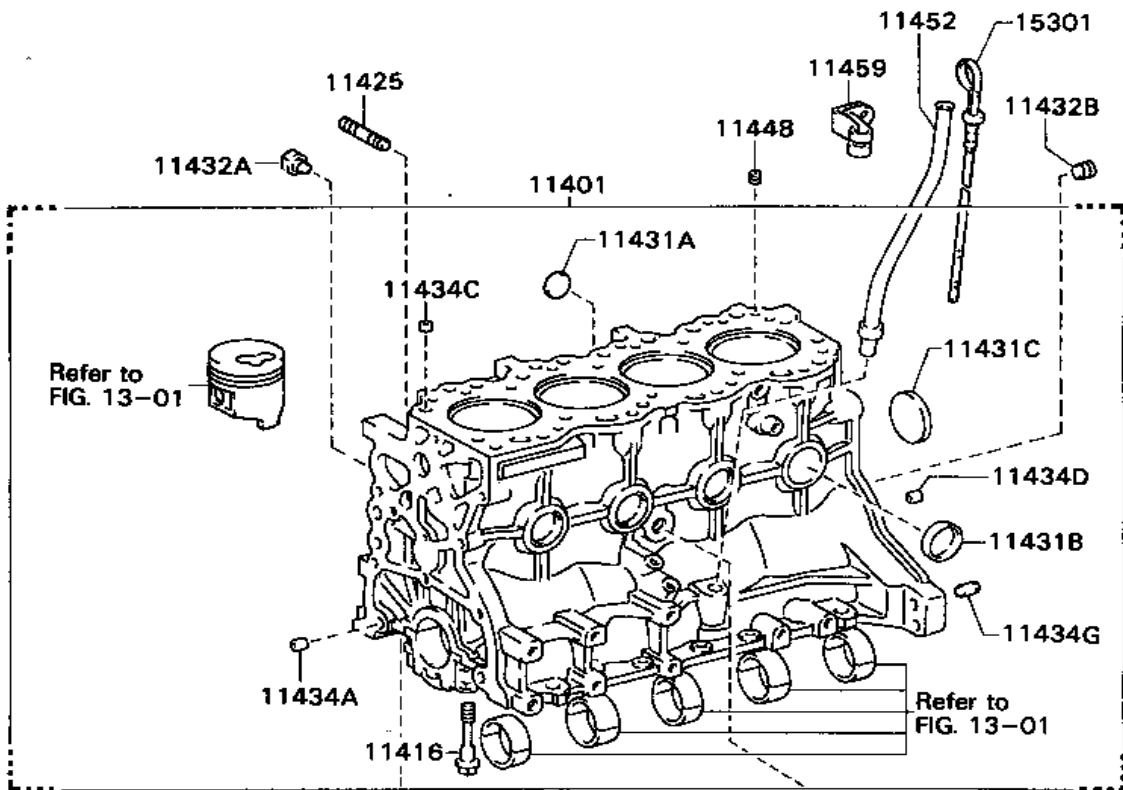




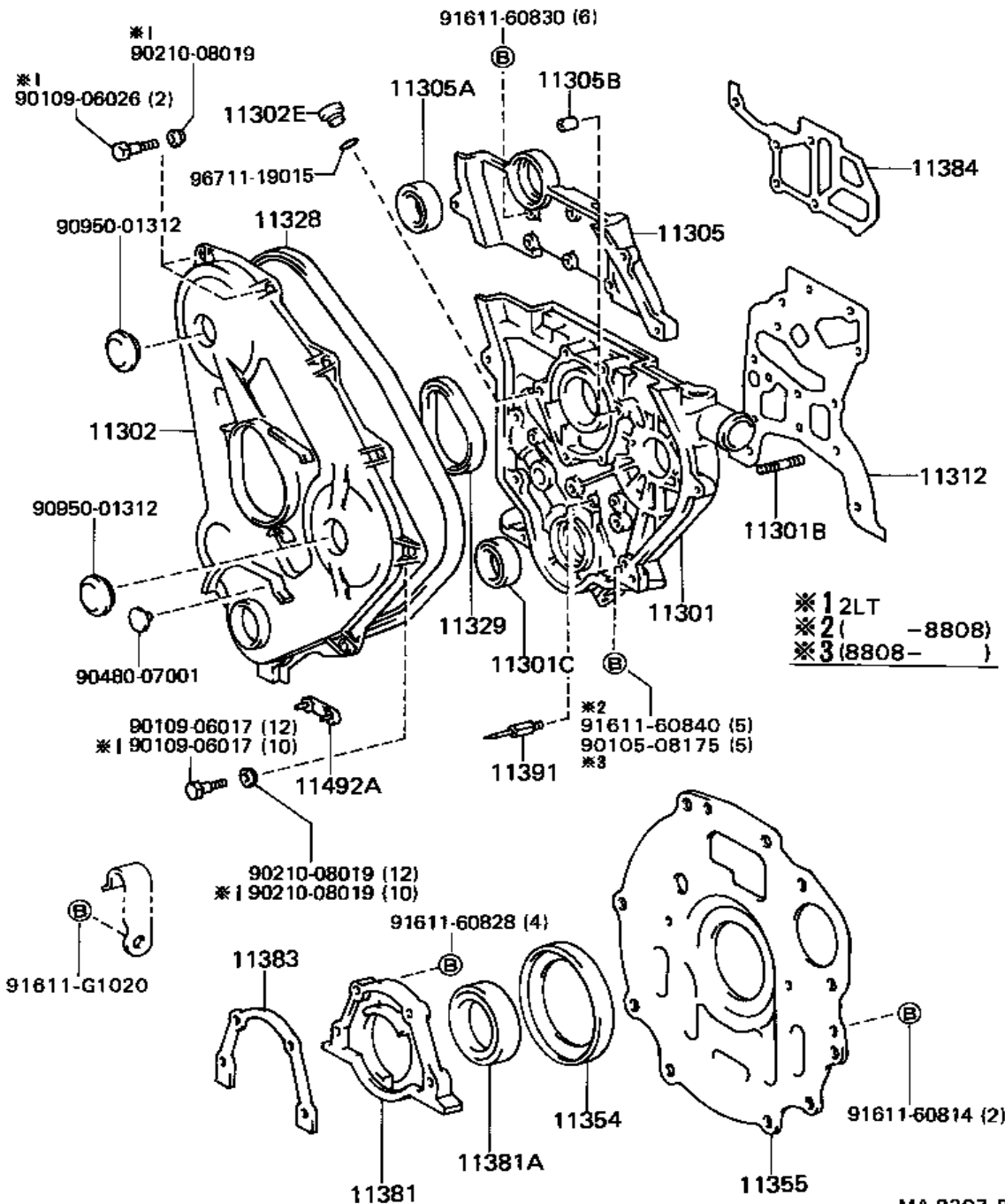
*1 2L, (8708-) 2LT

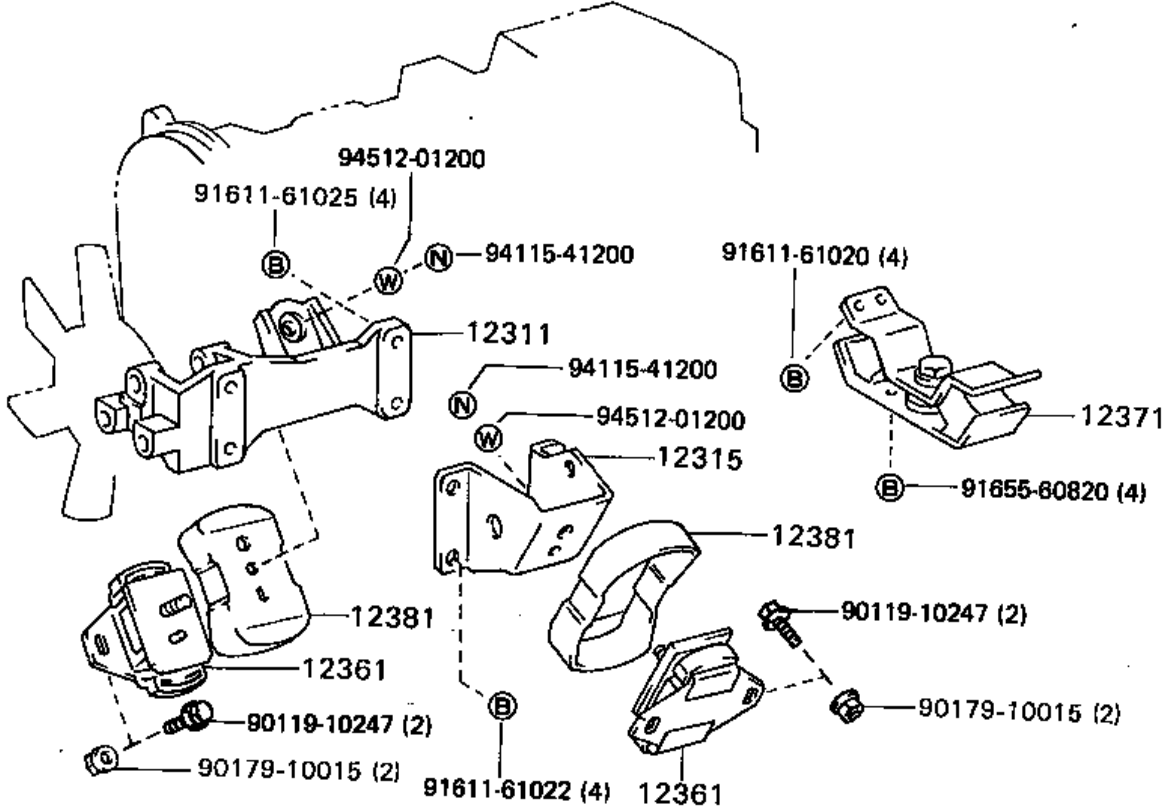
*2 (-8708) 2LT



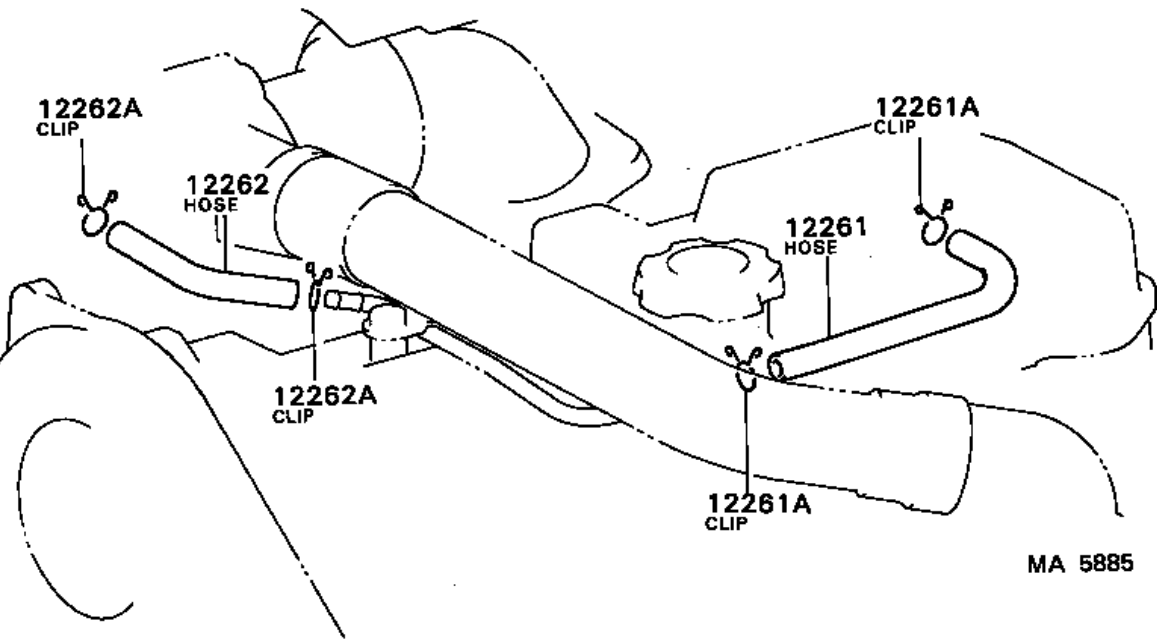


①	<ul style="list-style-type: none"> *190116-08279 (4) *290116-08279 (2)
②	<ul style="list-style-type: none"> *190179-08038 (4) *290179-08038 (2)
②	<ul style="list-style-type: none"> *190119-08783 (14) *290119-08783 (18)



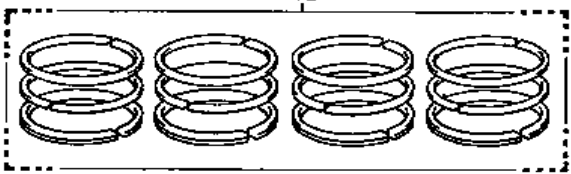


MA 8028-D



MA 5885

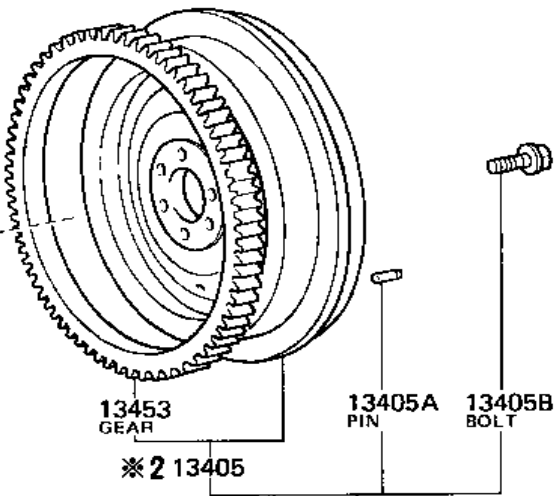
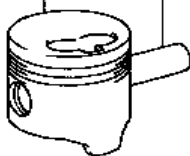
13011 RING



13101 PISTON

13101A RING

*1 (-8805)
*2 (8805-)



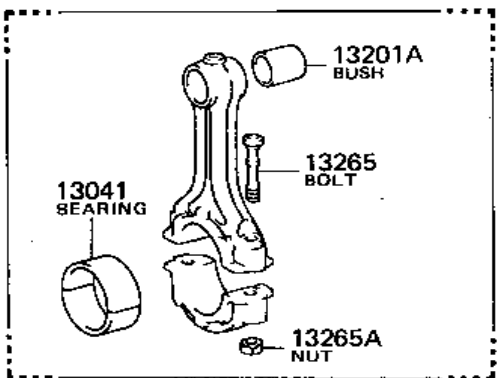
13453 GEAR

13405A PIN

13405B BOLT

*2 13405

*1 13405



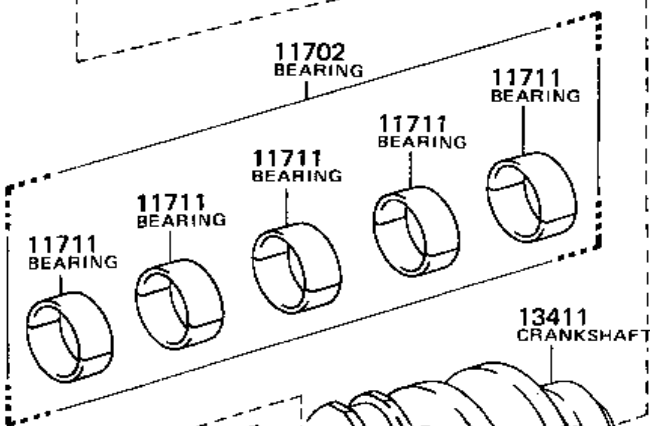
13201A BUSH

13265 BOLT

13041 BEARING

13265A NUT

13201 ROD



11702 BEARING

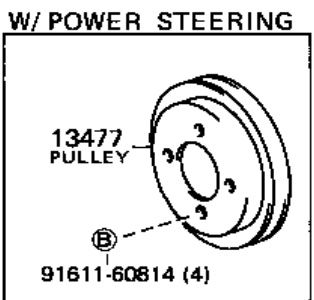
11711 BEARING

11711 BEARING

11711 BEARING

11711 BEARING

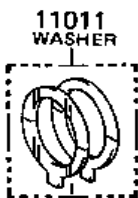
11711 BEARING



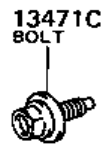
W/ POWER STEERING

13477 PULLEY

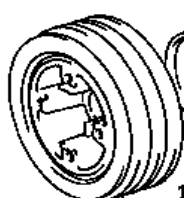
91611-60814 (4)



11011 WASHER



13471C BOLT



13471 PULLEY

13566A GUIDE

13521P PULLEY

13471A KEY

13521A KEY

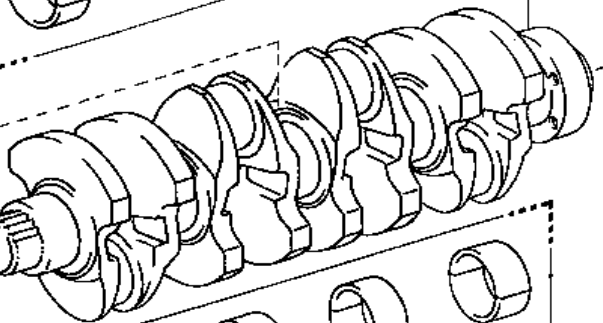
13202 BEARING

13041 BEARING

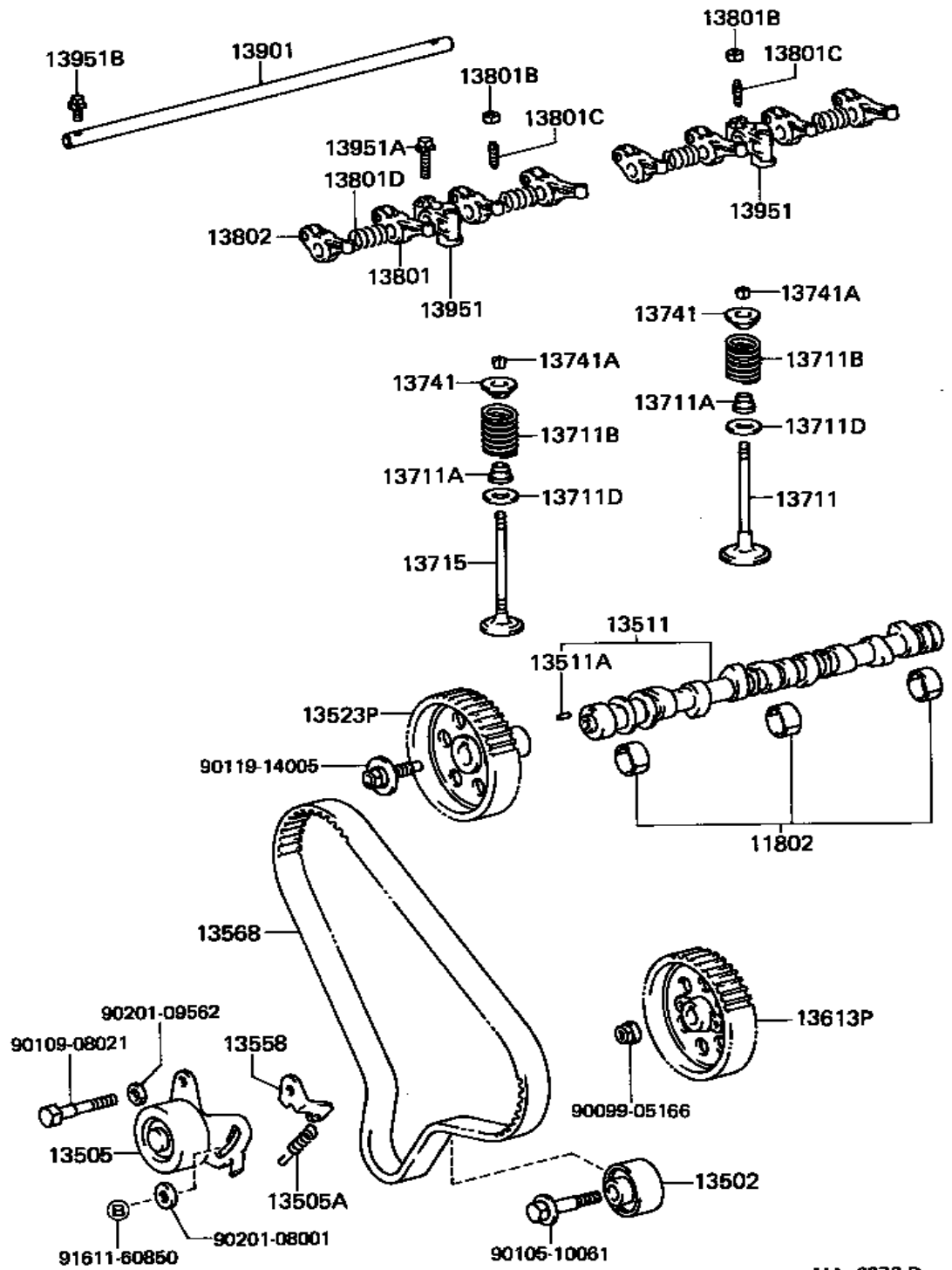
13041 BEARING

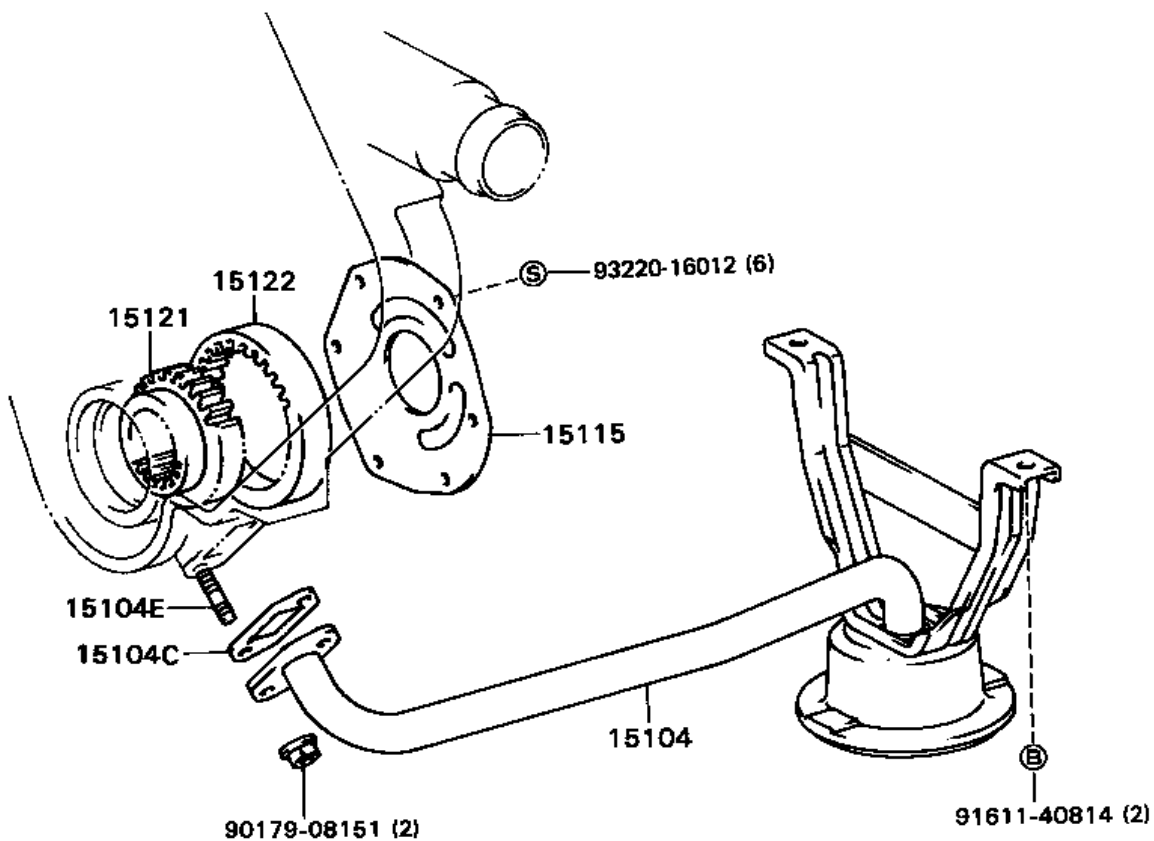
13041 BEARING

13041 BEARING

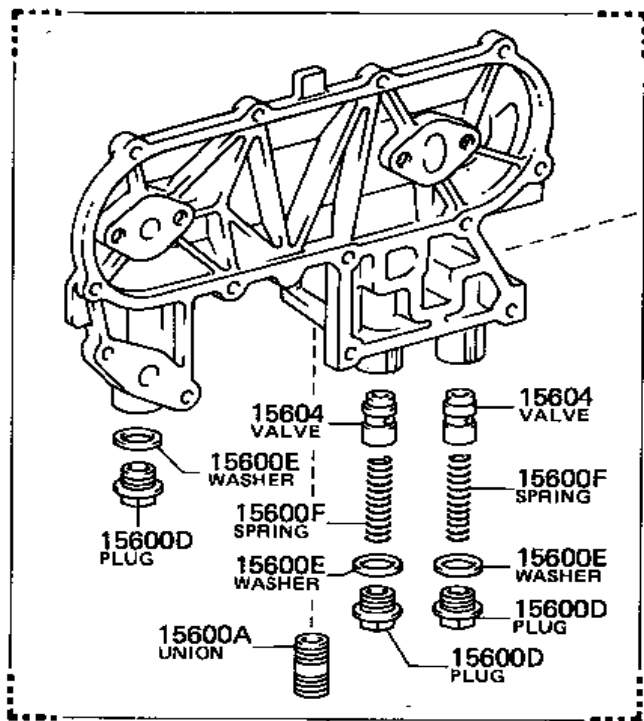


13411 CRANKSHAFT

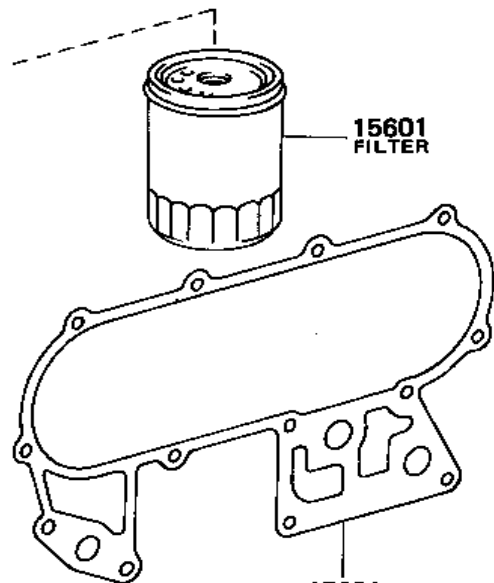




MA 7379-C

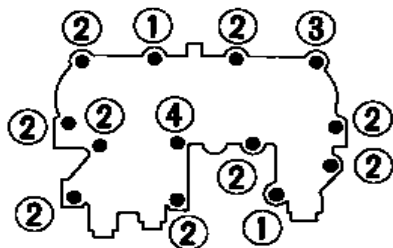




15609
BRACKET



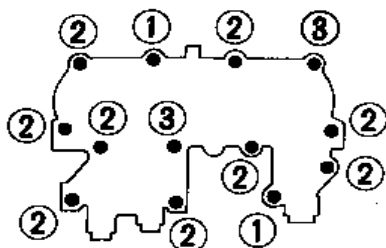
15691
GASKET



(8704—)



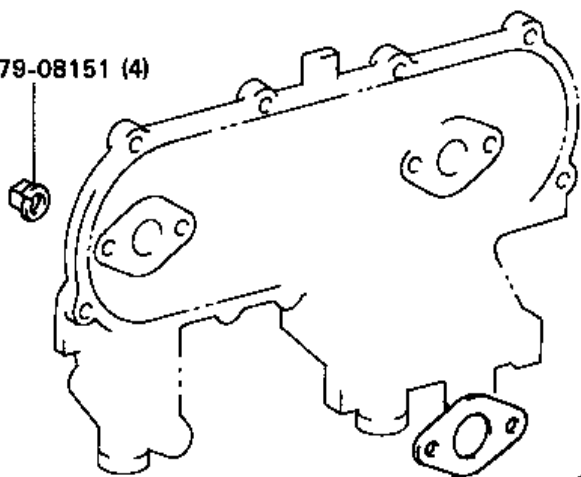
①	 Refer to FIG. 11-05  90179-08151 (2)
②	Ⓑ—91611-G0825 (9)
③	Ⓑ—91611-G0835
④	Ⓑ—91611-G0840

(—8704)



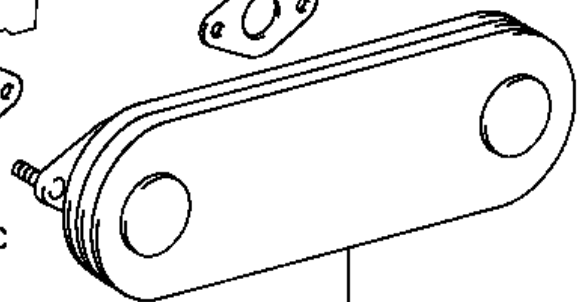
①	 Refer to FIG. 11-05  90179-08040 (2)
②	Ⓑ—91611-60825 (9)
③	Ⓑ—91611-60835 (2)

90179-08151 (4)



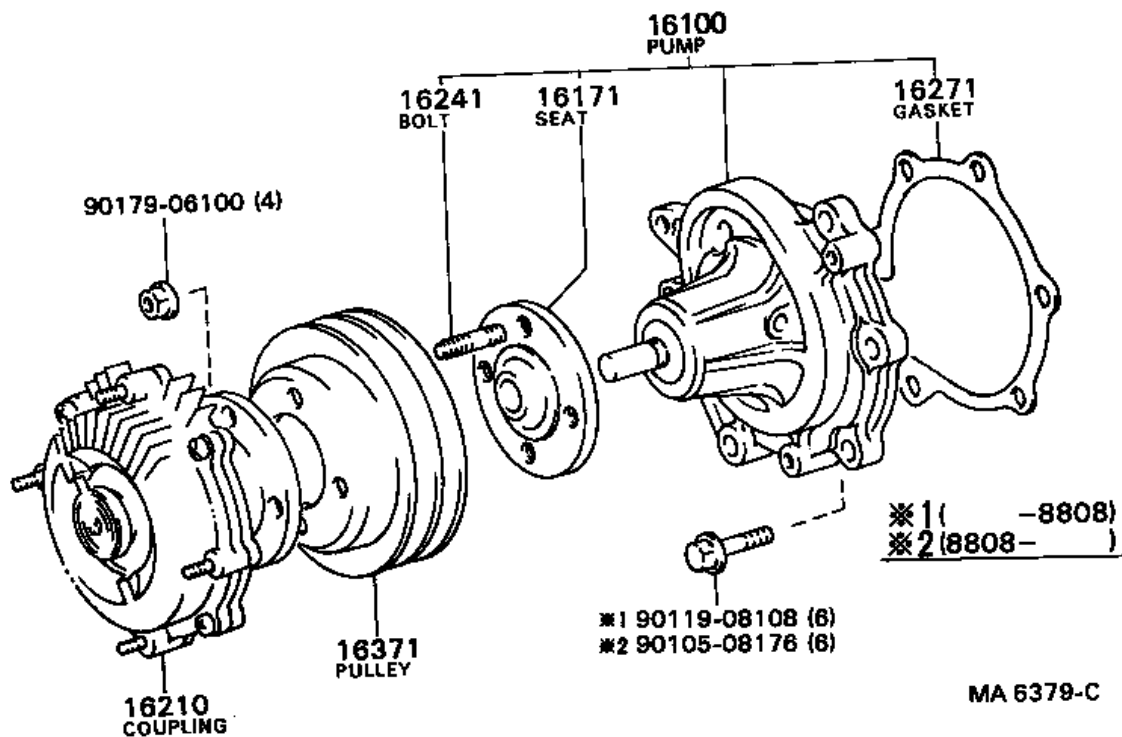
15710C

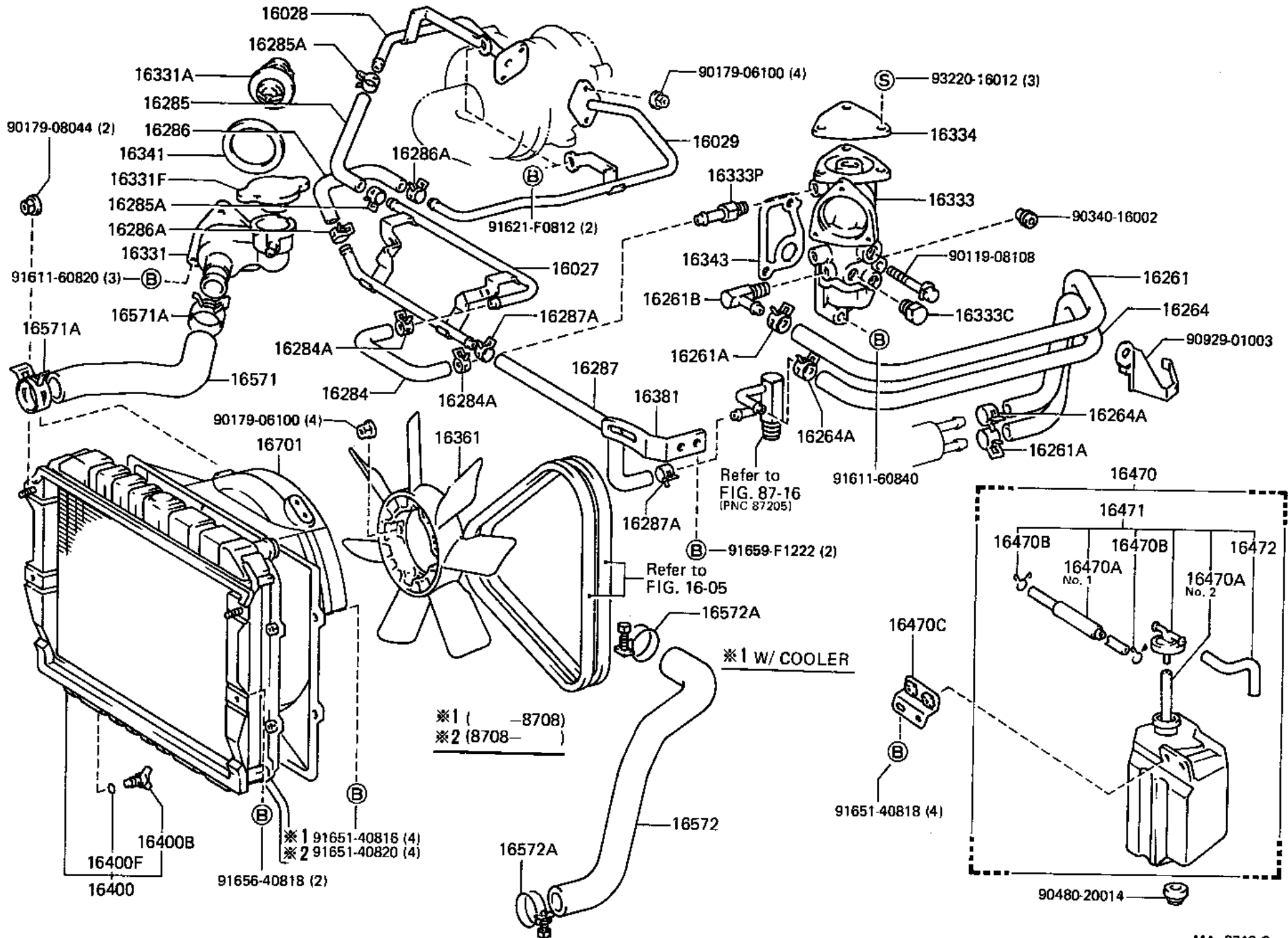
15710C



15710

MA 7112-E



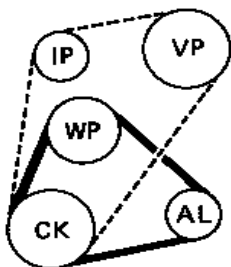


IP : Idle Pulley
 VP : Vane Pump
 WP : Water Pump
 AL : Alternator
 CK : Crankshaft
 CC : Cooler Compressor

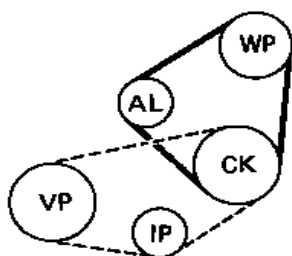
AP : Air Pump

	PNC		
—————	16361A		
-----	44310A		
—————	88310A		

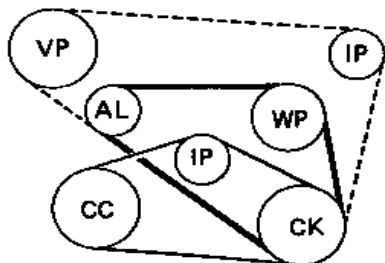
22R#

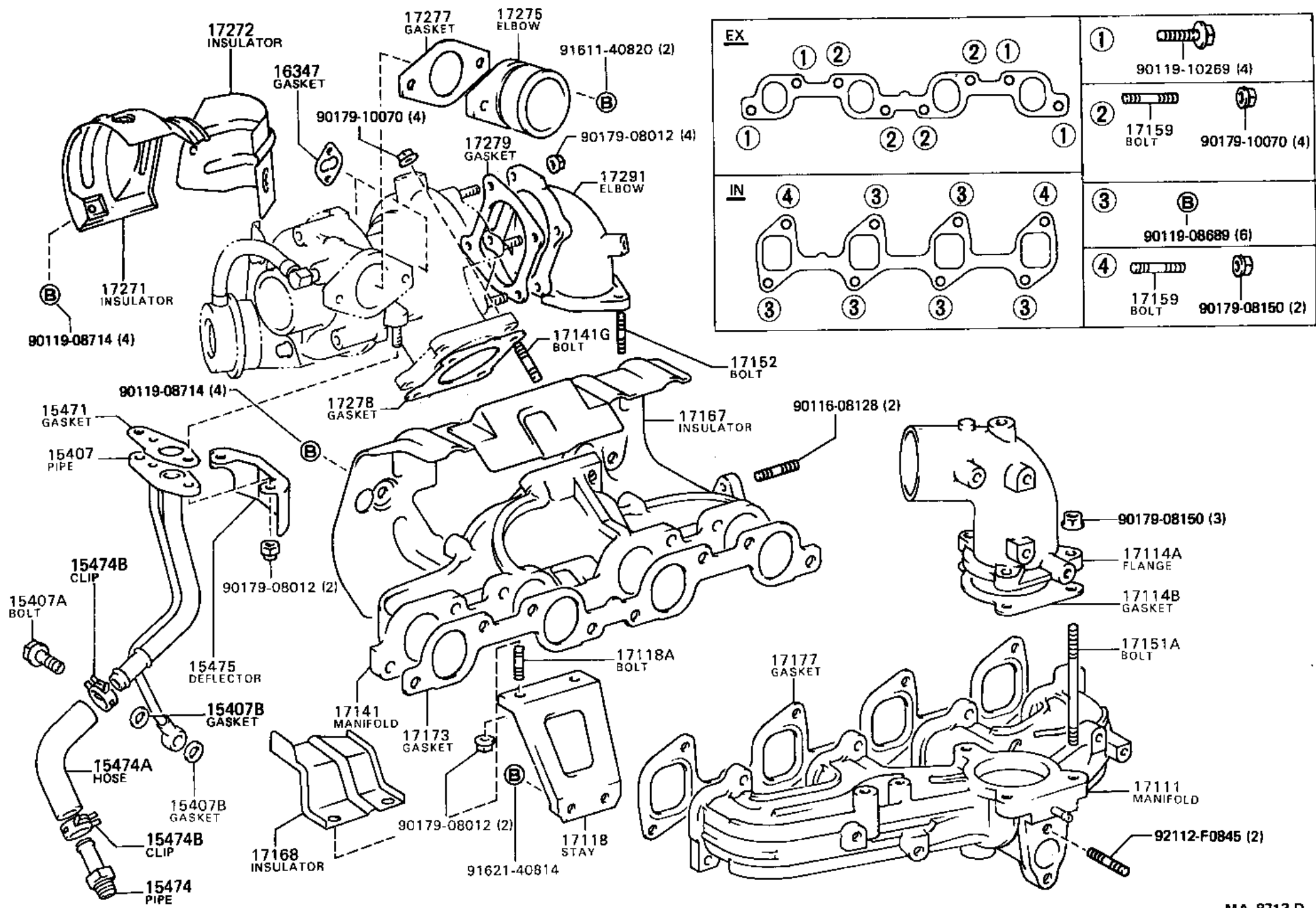


2L, 2LT

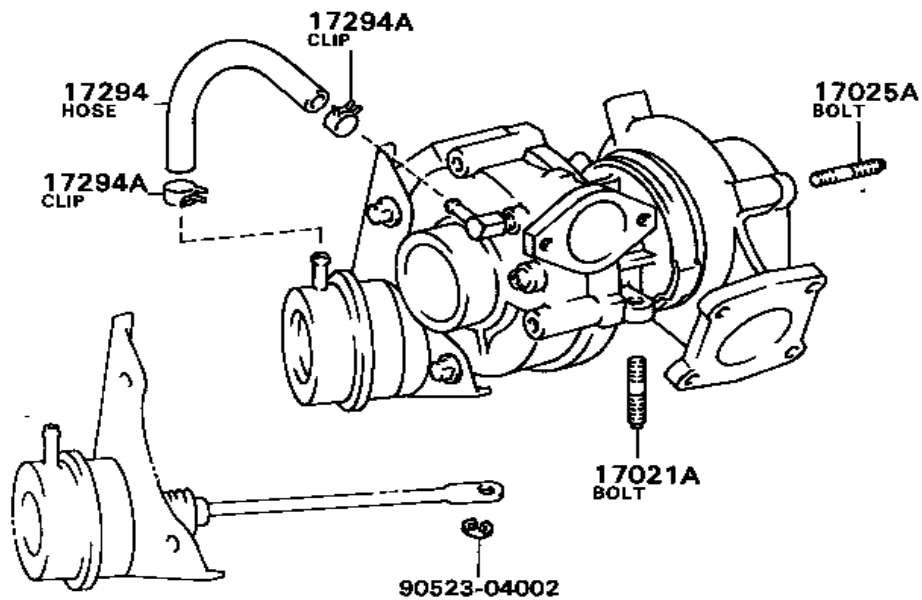


3B, 13BT

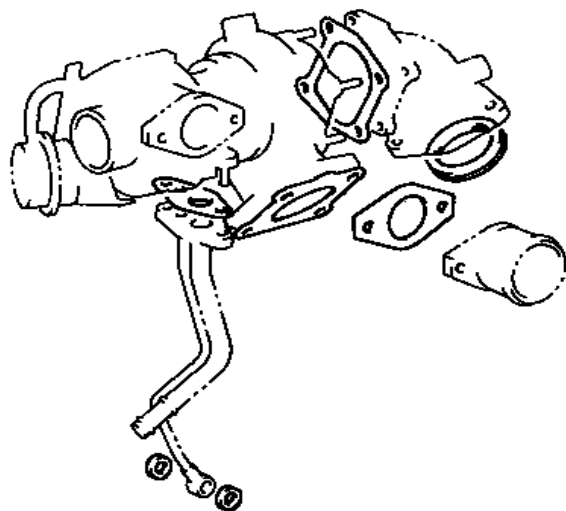


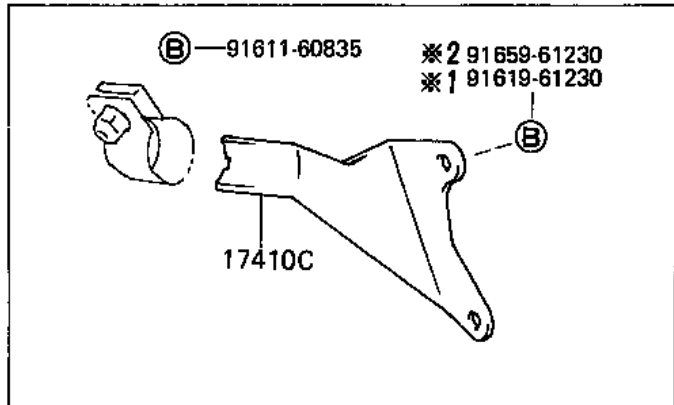


17201
TURBOCHARGER

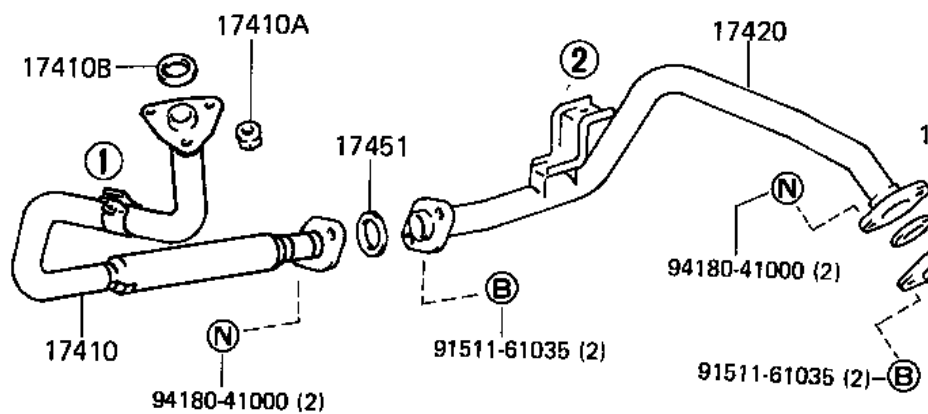


04175
GASKET KIT

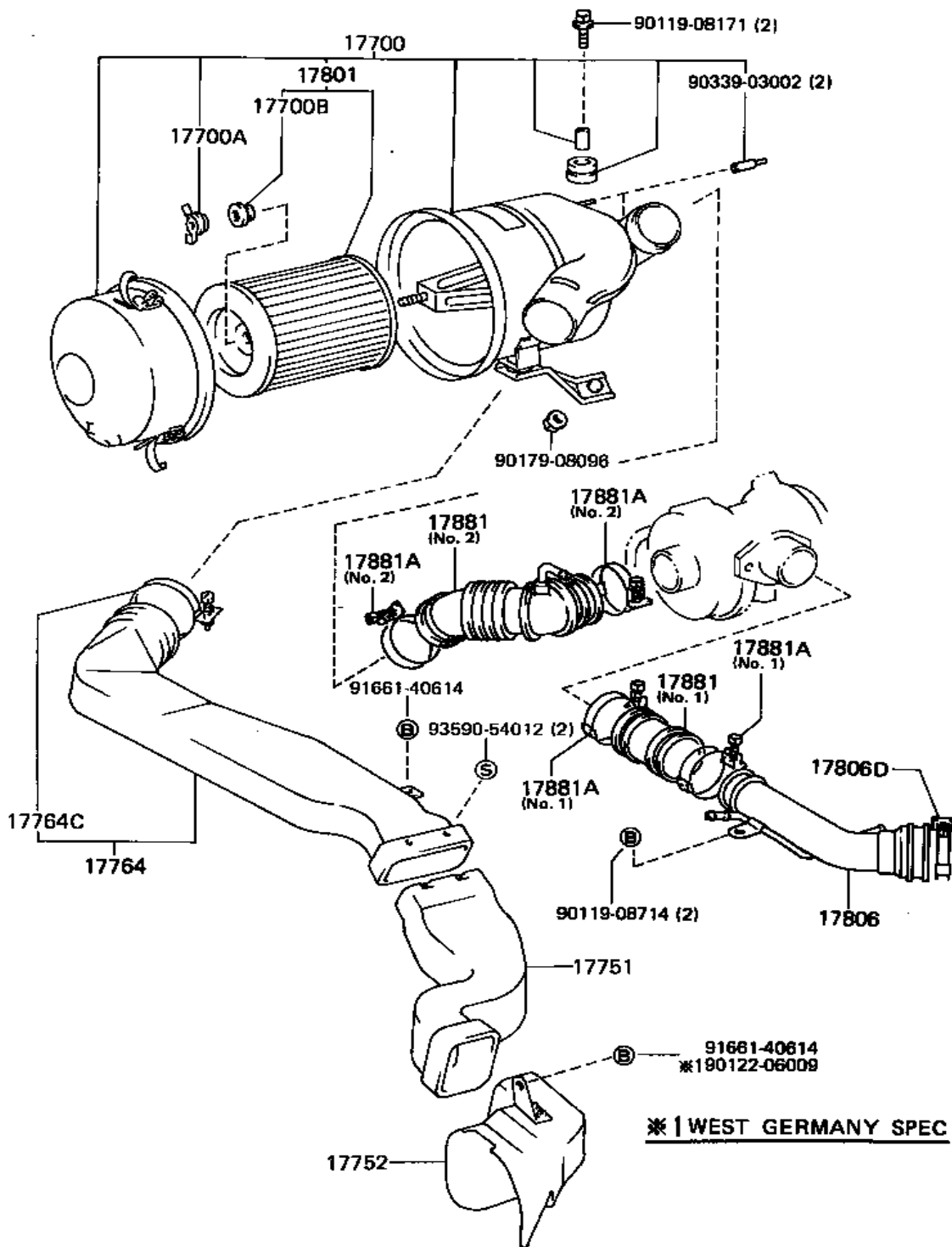


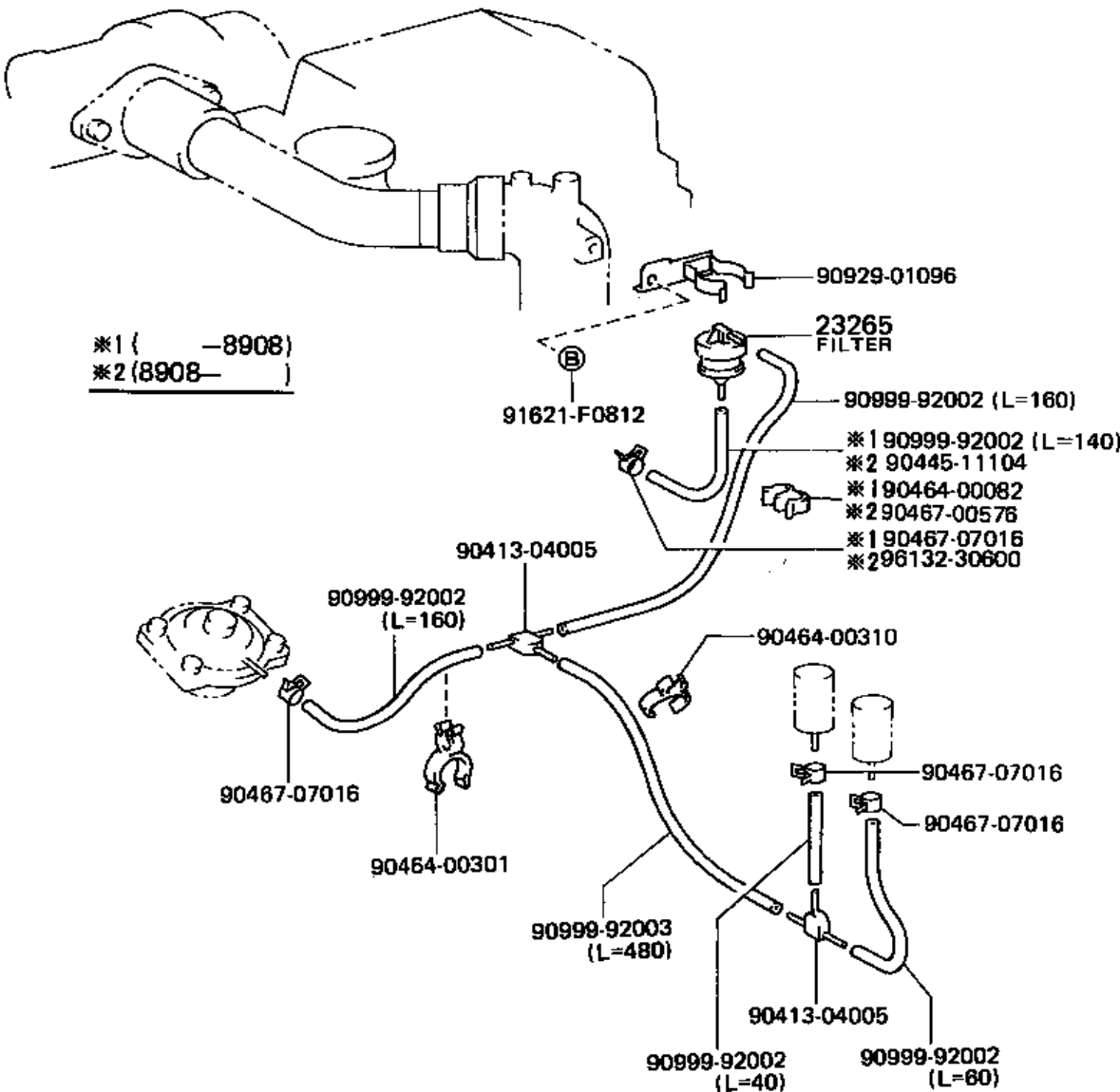


①



※12L
 ※22LT





MA 8718-D

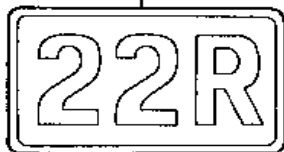
11283
PLATE

CAUTION FOR TURBOCHARGED ENGINE

11284



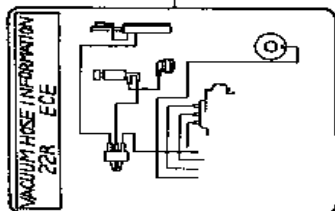
11291
PLATE



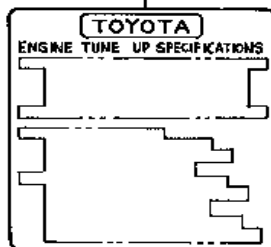
11293
PLATE



17792
PLATE



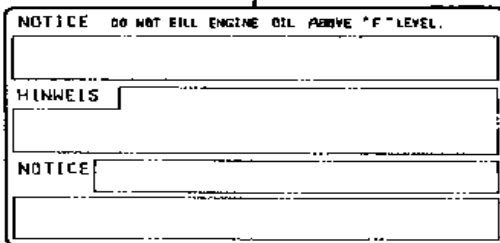
11293A
PLATE



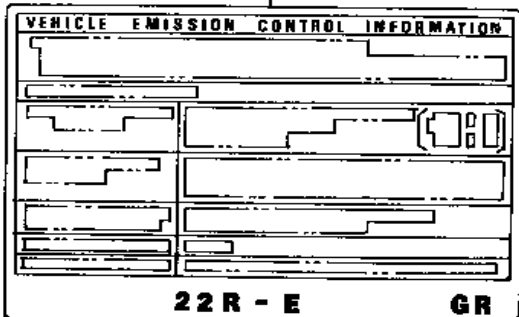
17700C
PLATE



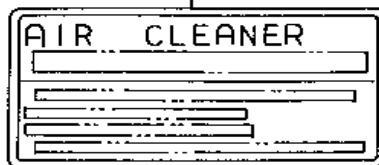
11294

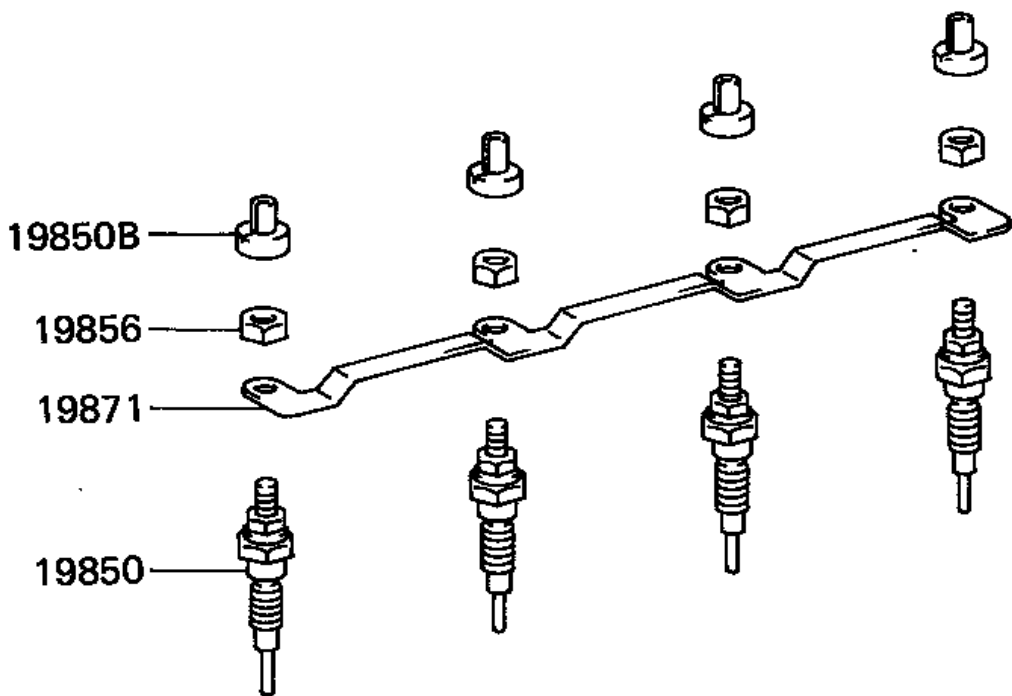


11298



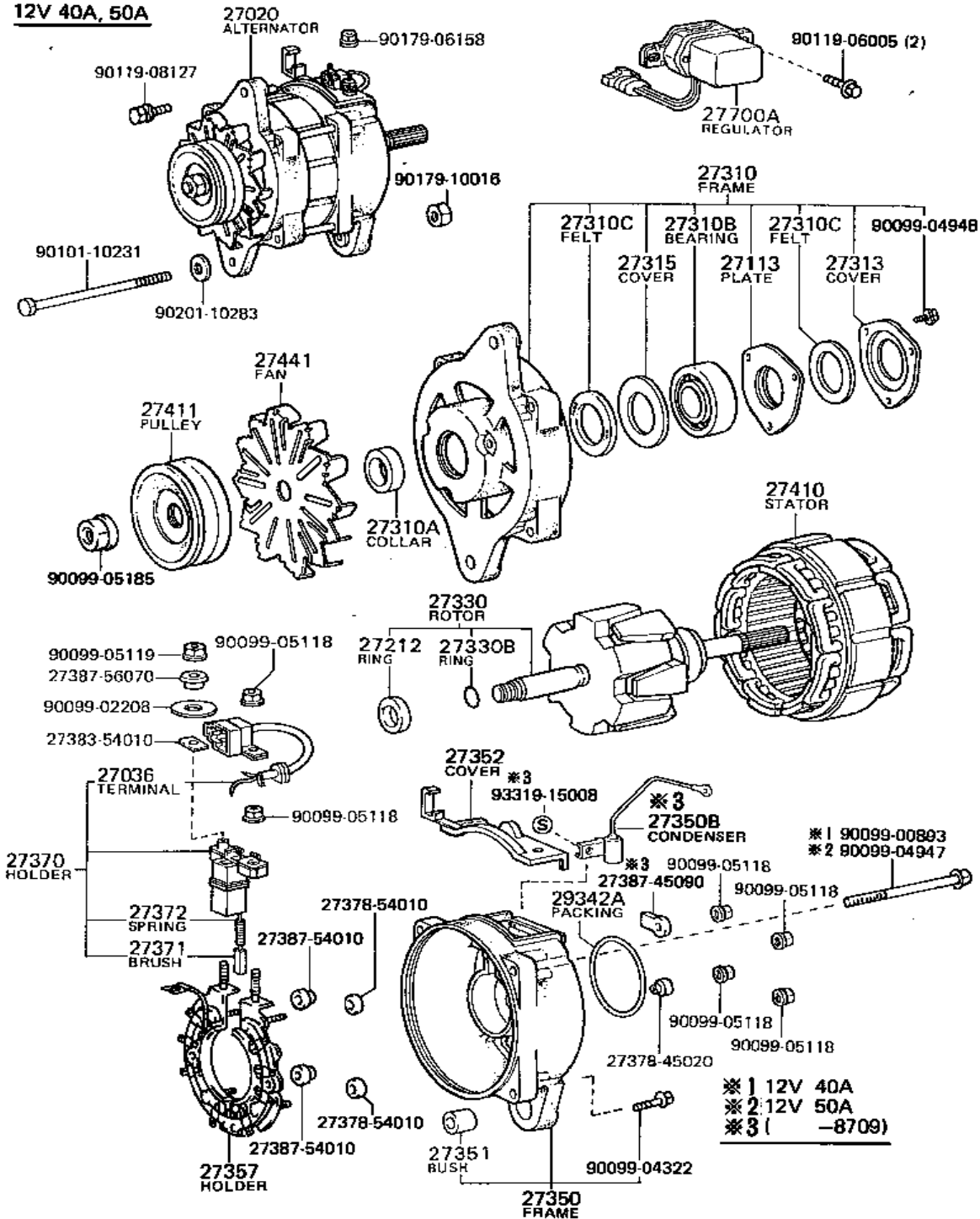
17791



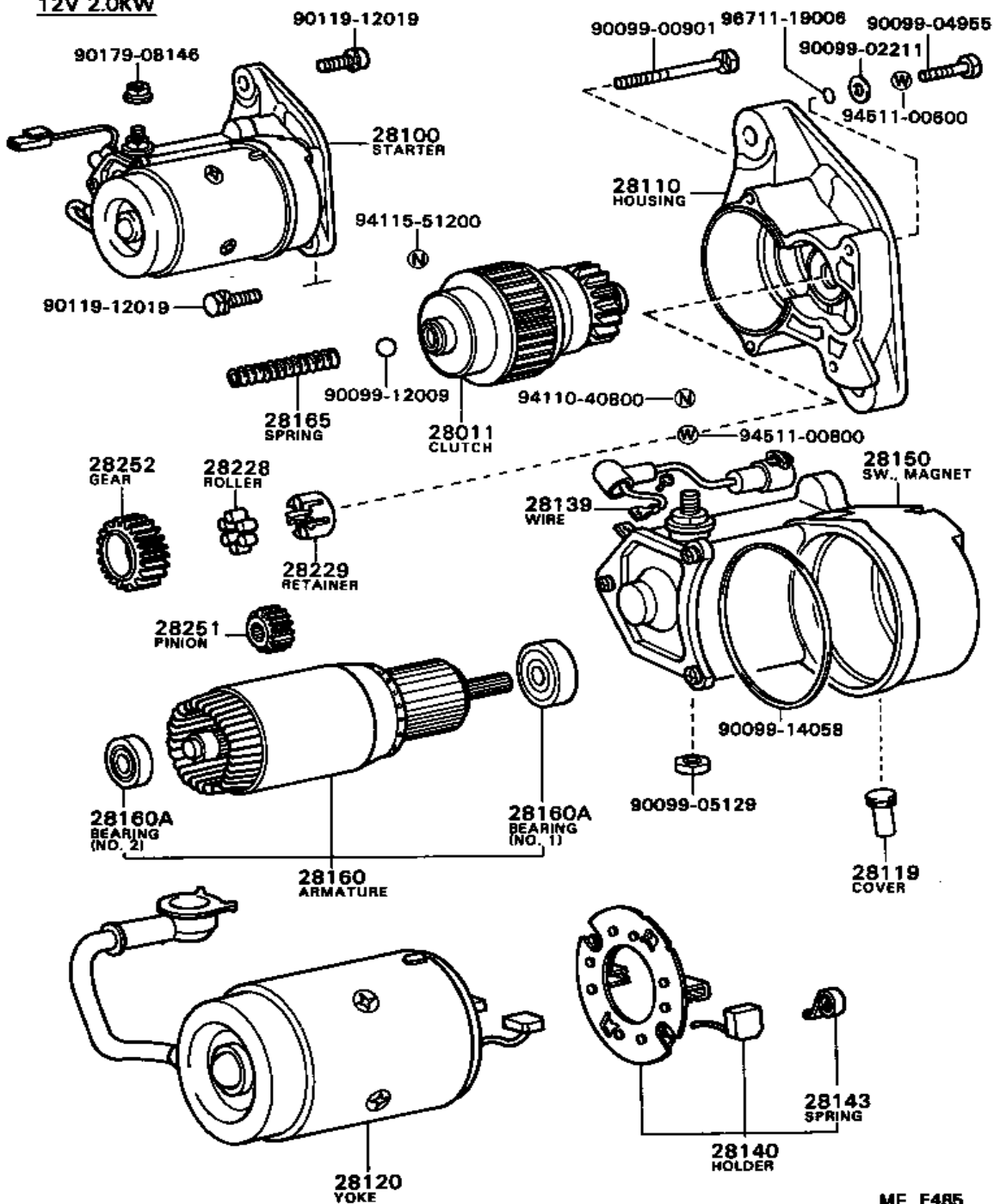


ME 7990-E

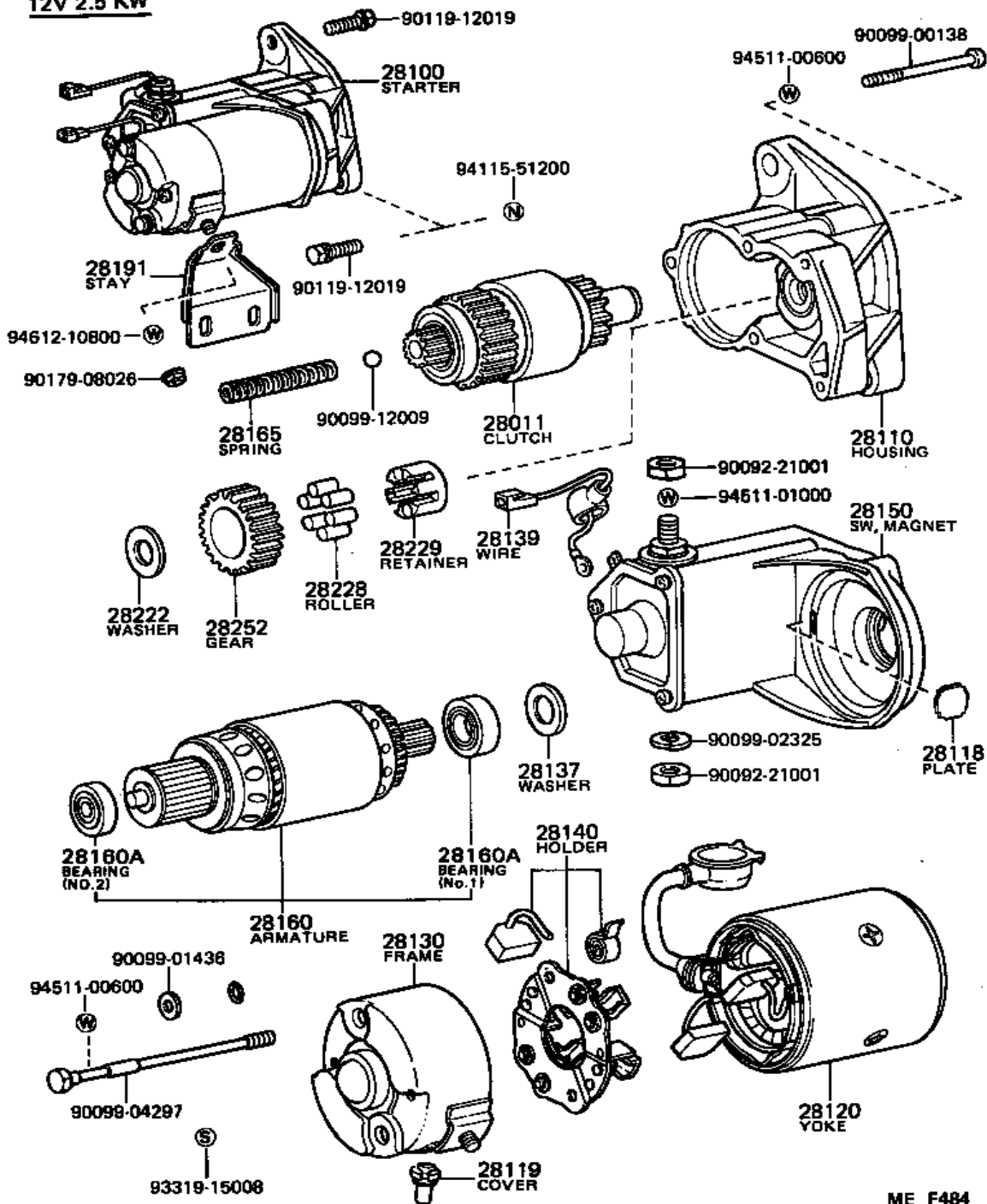
12V 40A, 50A

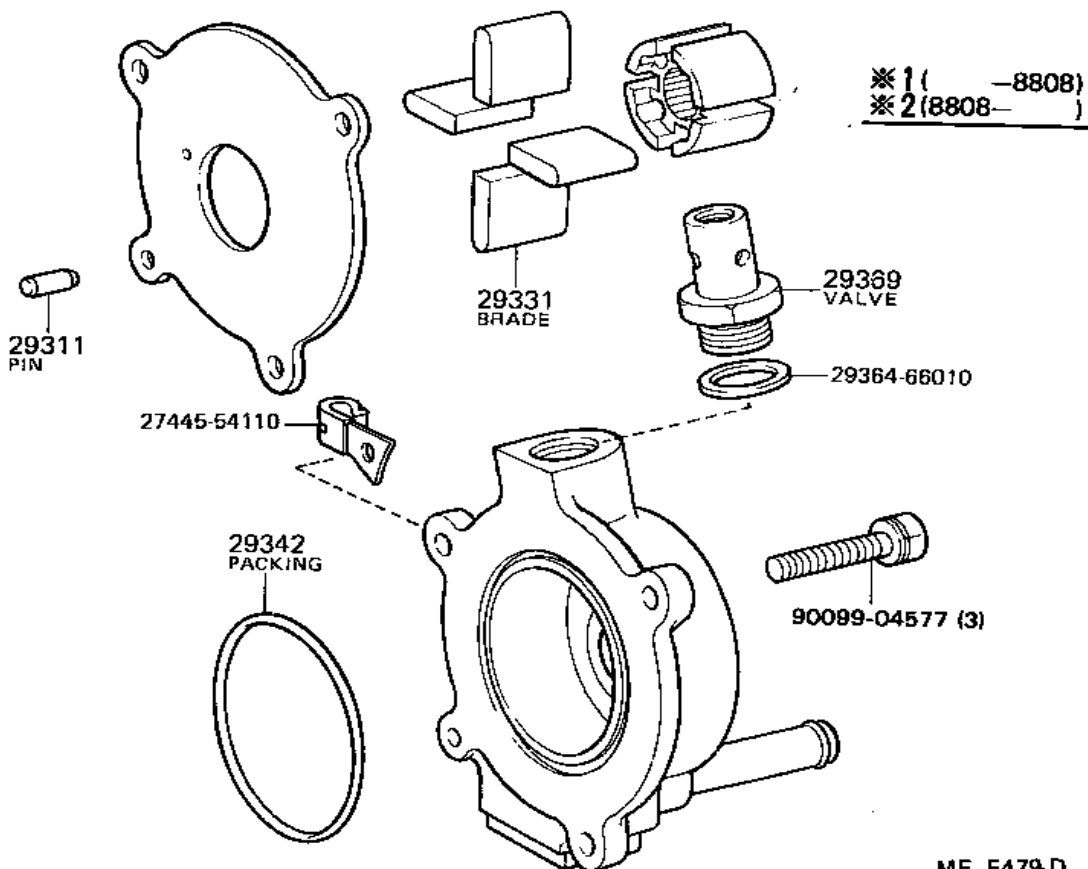
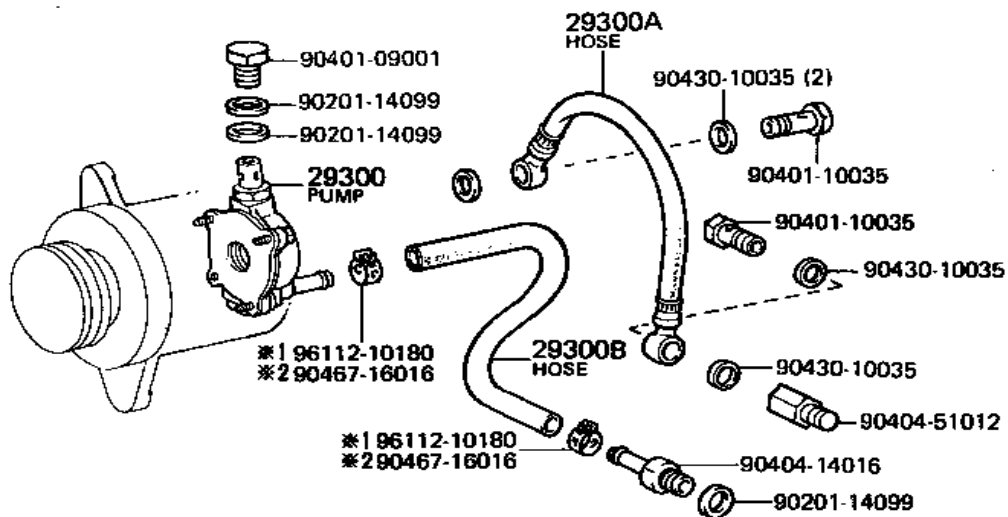


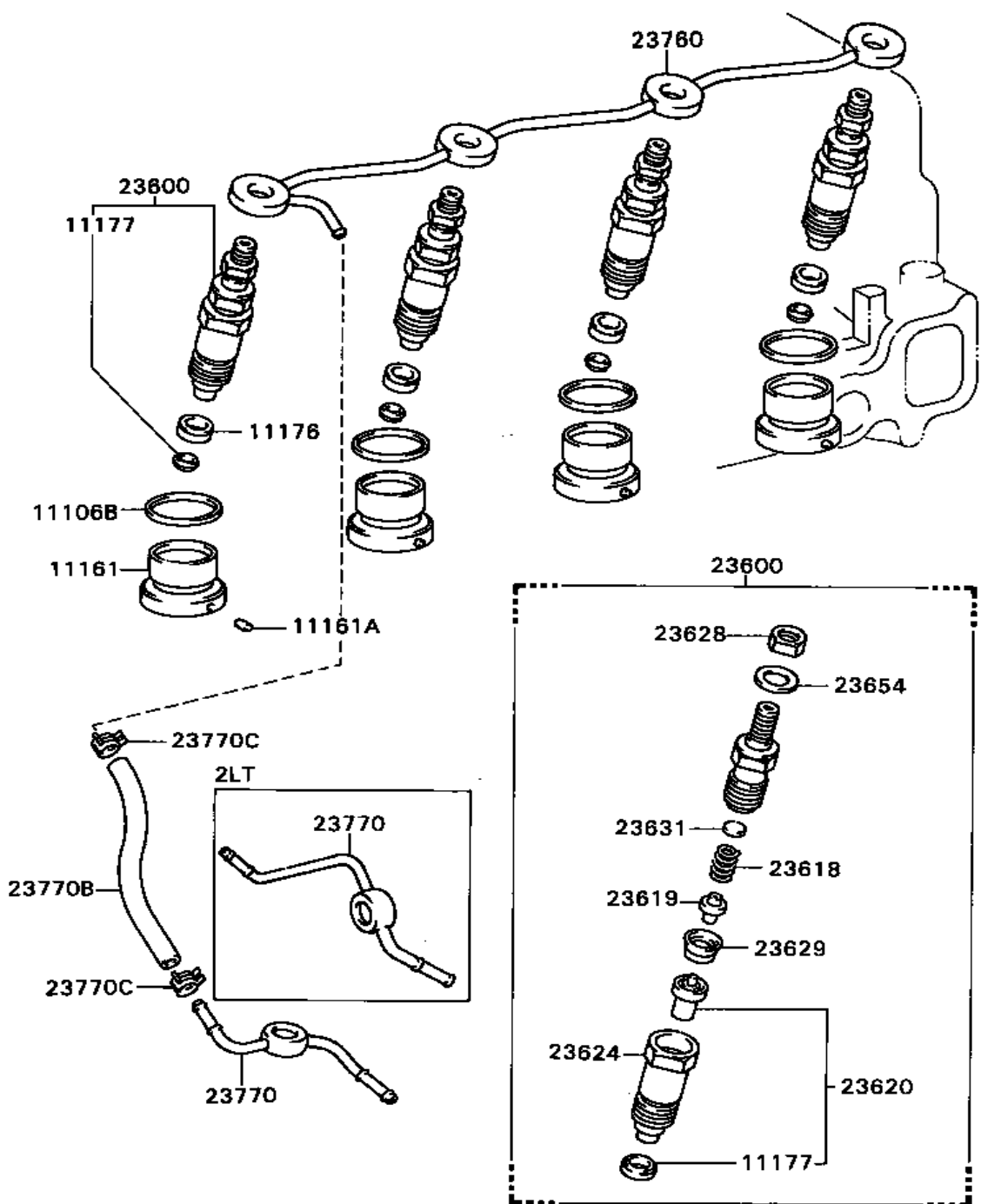
12V 2.0KW

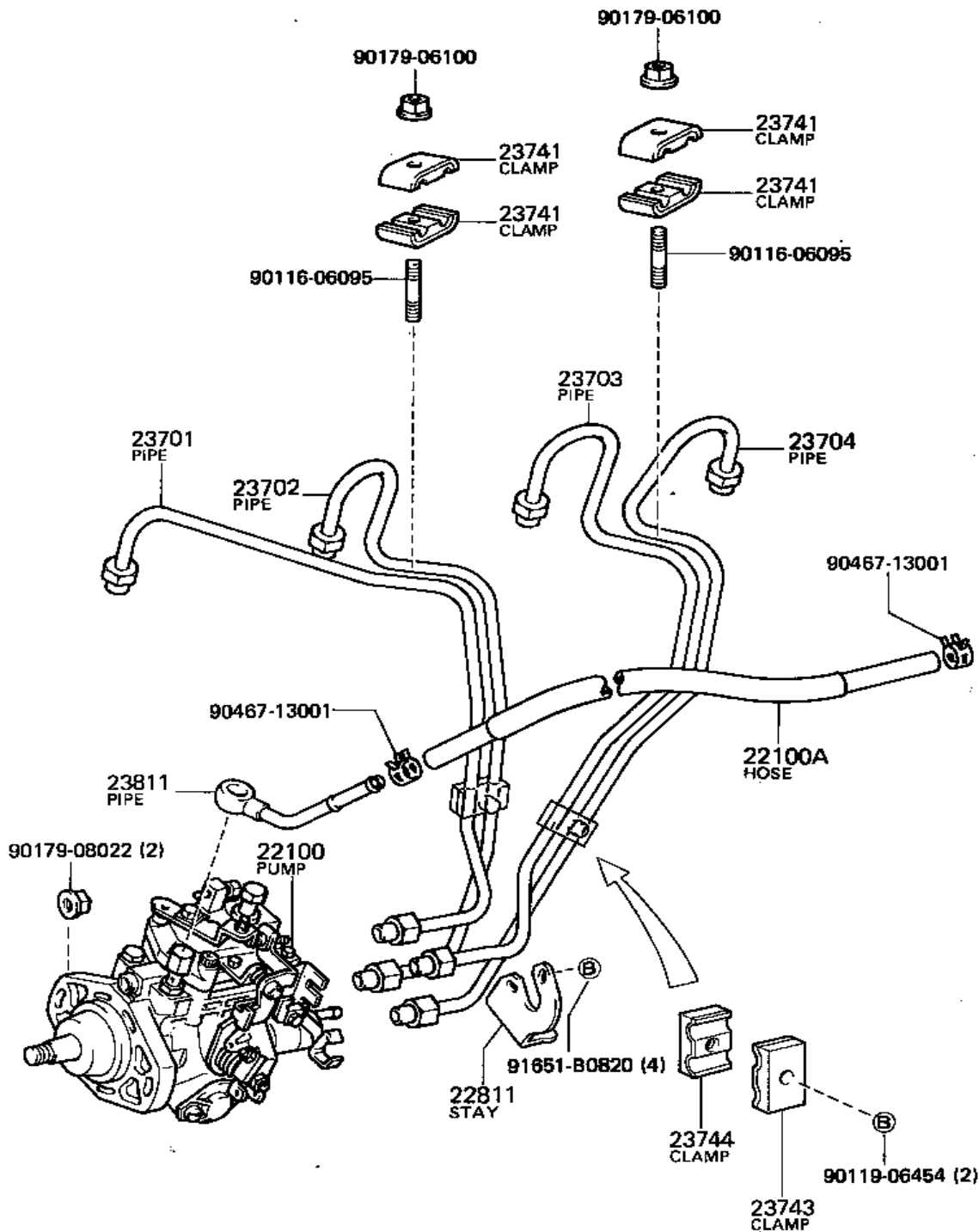


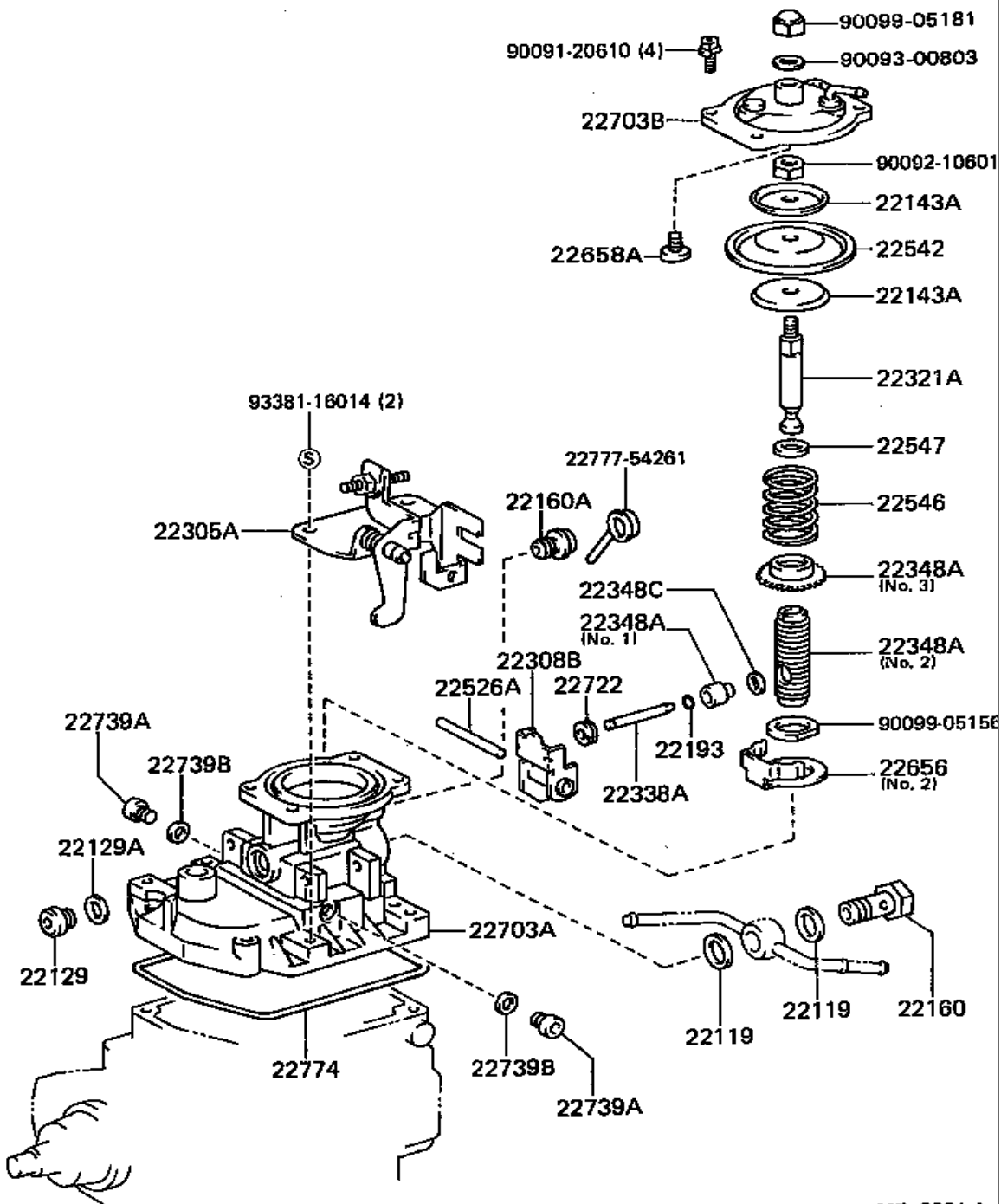
12V 2.5 KW











COLD SPEC

