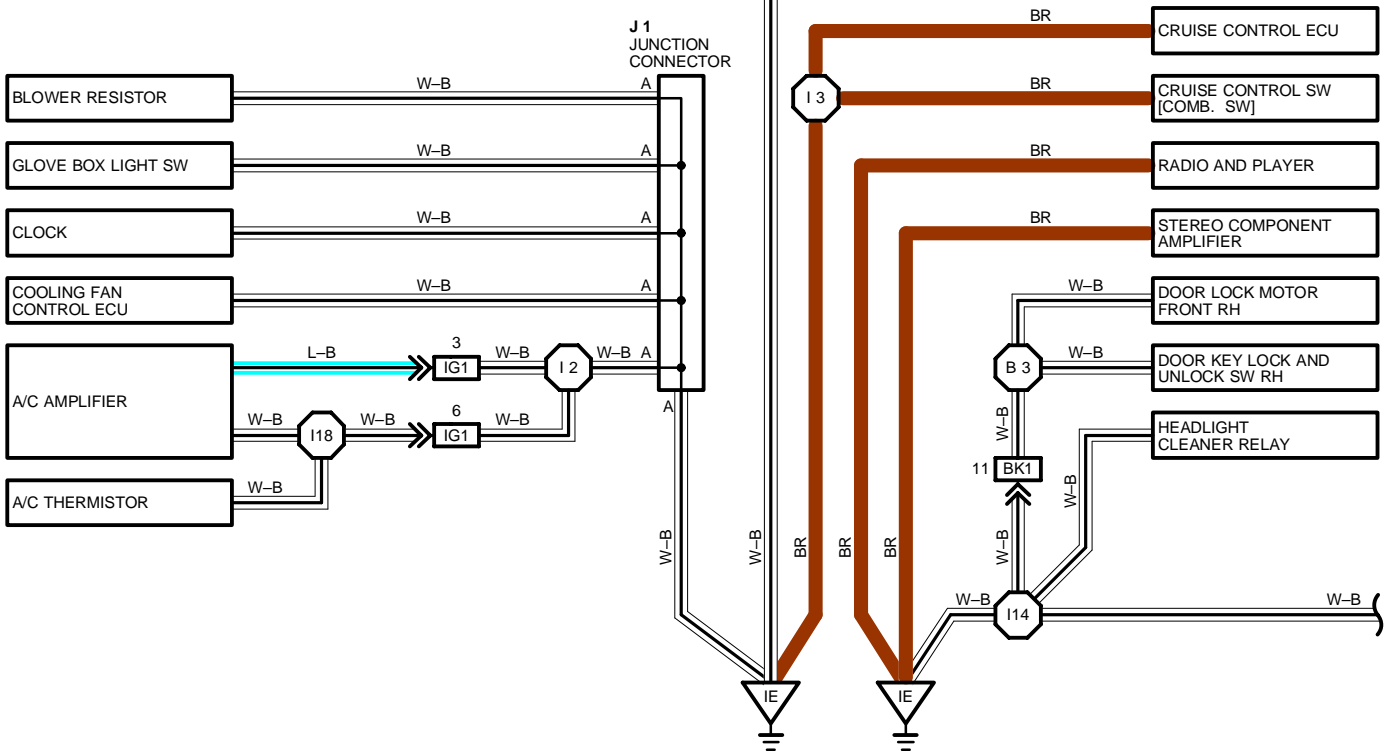
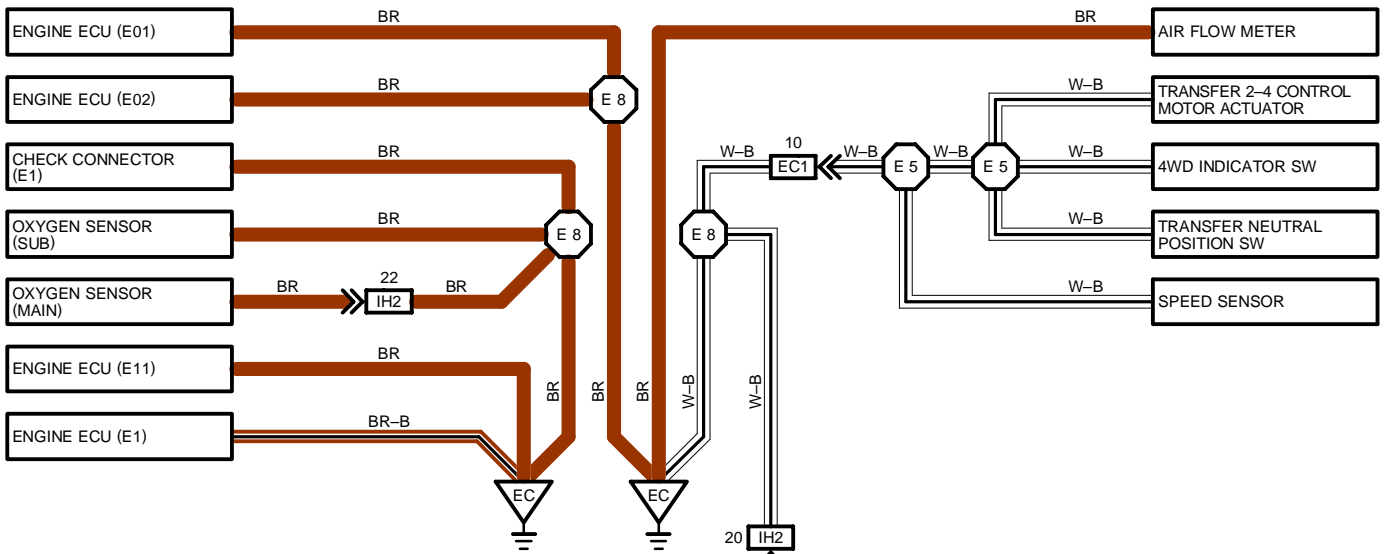
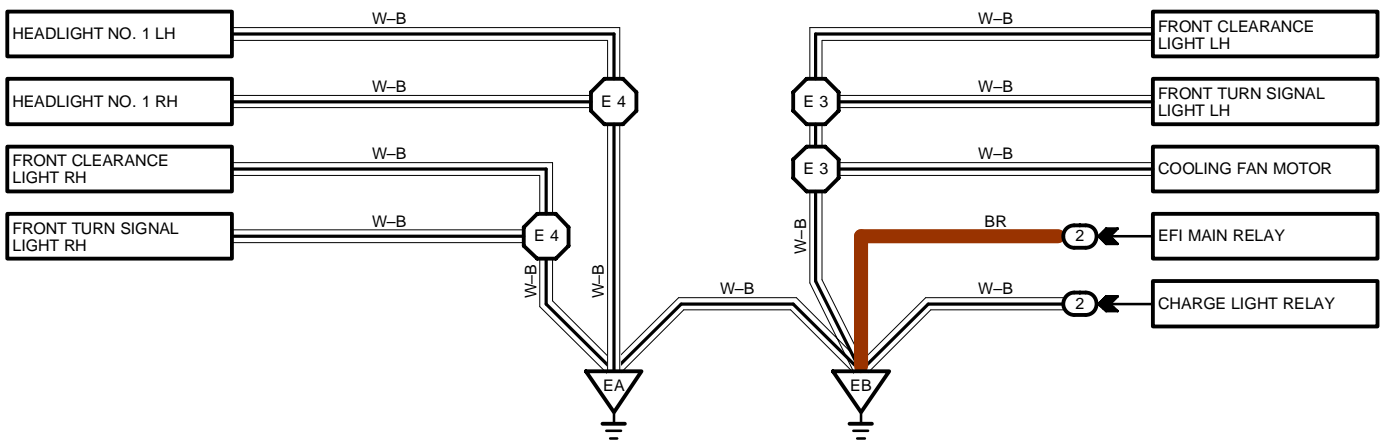
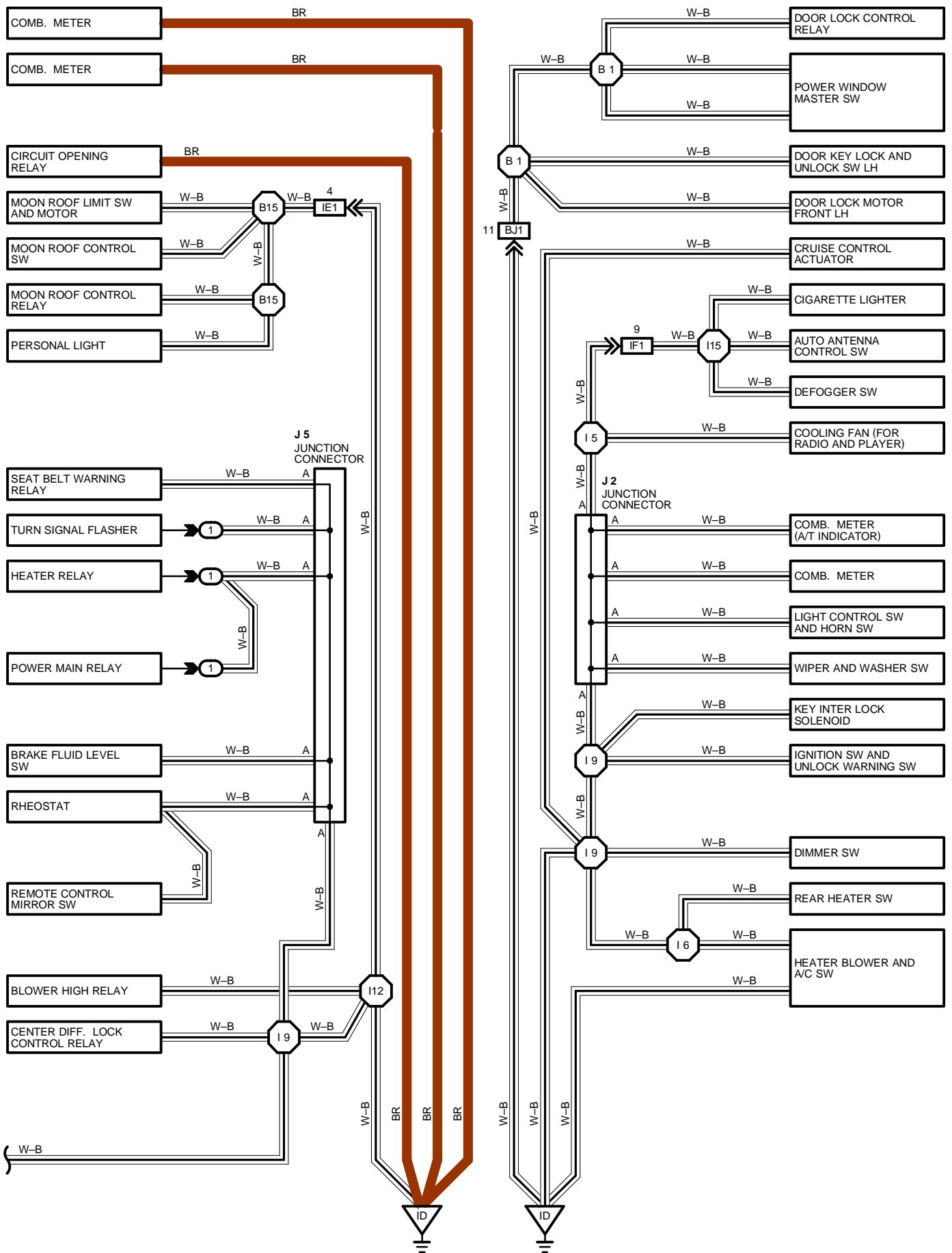
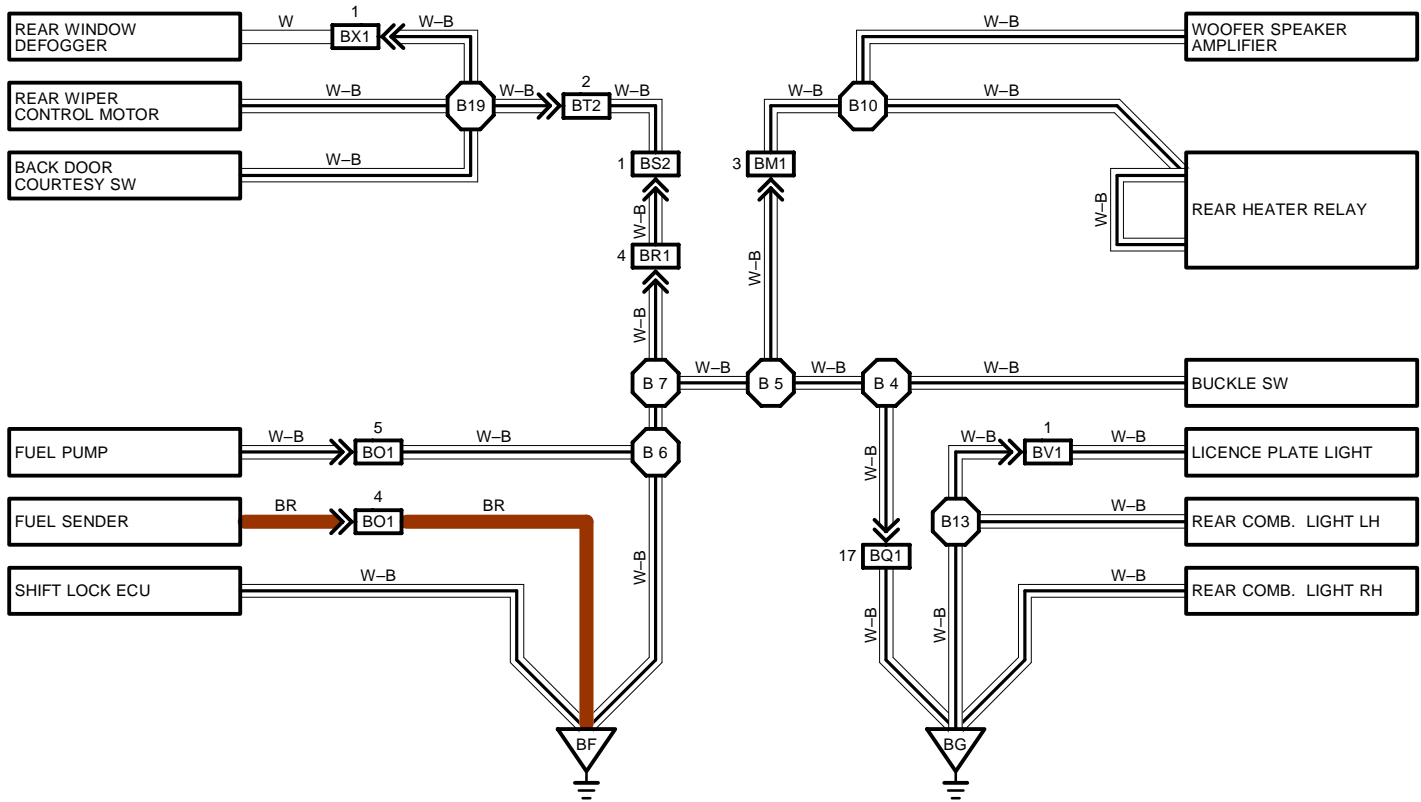


GROUND POINT





GROUND POINT



○ : PARTS LOCATION

CODE	SEE PAGE	CODE	SEE PAGE	CODE	SEE PAGE
J 1	20	J 2	20	J 5	20

○ : RELAY BLOCKS

CODE	SEE PAGE	RELAY BLOCKS (RELAY BLOCK LOCATION)
1	18	R/B NO. 1 (LEFT KICK PANEL)
2	16	R/B NO. 2 (FRONT SIDE OF LEFT FENDER)

□ : CONNECTOR JOINING WIRE HARNESS AND WIRE HARNESS

CODE	SEE PAGE	JOINING WIRE HARNESS AND WIRE HARNESS (CONNECTOR LOCATION)
EC1	22	ENGINE WIRE AND TRANSMISSION WIRE (NEAR THE STARTER)
IE1	24	ROOF NO. 1 WIRE AND COWL WIRE (LEFT KICK PANEL)
IF1	24	INSTRUMENT PANEL WIRE AND COWL WIRE (INSTRUMENT PANEL CENTER)
IG1	24	COWL WIRE AND A/C SUB WIRE (BEHIND GLOVE BOX)
IH2	24	ENGINE WIRE AND COWL WIRE (BEHIND GLOVE BOX)
BJ1	26	FRONT DOOR LH WIRE AND COWL WIRE (LEFT KICK PANEL)
BK1	26	FRONT DOOR RH WIRE AND COWL WIRE (RIGHT KICK PANEL)
BM1	26	FLOOR NO. 2 WIRE AND FLOOR NO. 1 WIRE (UNDER THE CENTER CONSOLE BOX)
B01	26	FLOOR NO. 1 WIRE AND LUGGAGE ROOM NO. 2 WIRE (BESIDE THE FUEL TANK)
BQ1	26	FLOOR NO. 3 WIRE AND FLOOR NO. 1 WIRE (LEFT QUARTER PANEL INNER)
BR1	28	LUGGAGE ROOM NO. 1 WIRE AND FLOOR NO. 1 WIRE (LEFT QUARTER PANEL INNER)
BS2	28	BACK DOOR NO. 1 WIRE AND LUGGAGE ROOM NO. 1 WIRE (LEFT REAR SIDE OF ROOF)
BT2	28	BACK DOOR NO. 1 WIRE AND BACK DOOR NO. 2 WIRE (BACK DOOR LEFT)
BV1	28	LUGGAGE ROOM NO. 3 WIRE AND FLOOR NO. 3 WIRE (UNDER THE LOWER BACK INNER)
BX1	28	REAR WINDOW NO. 1 WIRE AND BACK DOOR NO. 2 WIRE (BACK DOOR RIGHT)

▽ : GROUND POINTS

CODE	SEE PAGE	GROUND POINTS LOCATION
EA	22	FRONT SIDE OF RIGHT FENDER
EB	22	FRONT SIDE OF LEFT FENDER
EC	22	AIR INTAKE CHAMBER
ID	24	LEFT KICK PANEL
IE	24	RIGHT KICK PANEL
BF	26	UNDER THE CENTER CONSOLE BOX
BG	26	LOWER BACK PANEL CENTER



: SPLICE POINTS

CODE	SEE PAGE	WIRE HARNESS WITH SPLICE POINTS	CODE	SEE PAGE	WIRE HARNESS WITH SPLICE POINTS
E 3	22	ENGINE ROOM MAIN WIRE	I15	24	INSTRUMENT PANEL WIRE
E 4			I18	24	A/C SUB WIRE
E 5	22	TRANSMISSION WIRE	B 1	24	FRONT DOOR RH WIRE
E 8	22	ENGINE WIRE	B 3	28	FRONT DOOR LH WIRE
I 2	24	COWL WIRE	B 4	28	FLOOR NO. 1 WIRE
I 3			B 5		
I 5			B 6		
I 6			B 7		
I 8			B10	28	FLOOR NO. 2 WIRE
I 9			B13	28	FLOOR NO. 3 WIRE
I12			B15	28	FLOOR NO. 1 WIRE
I14			B19	28	BACK DOOR NO. 2 WIRE

J 1, J 2, J 5



(HINT : SEE PAGE 7)