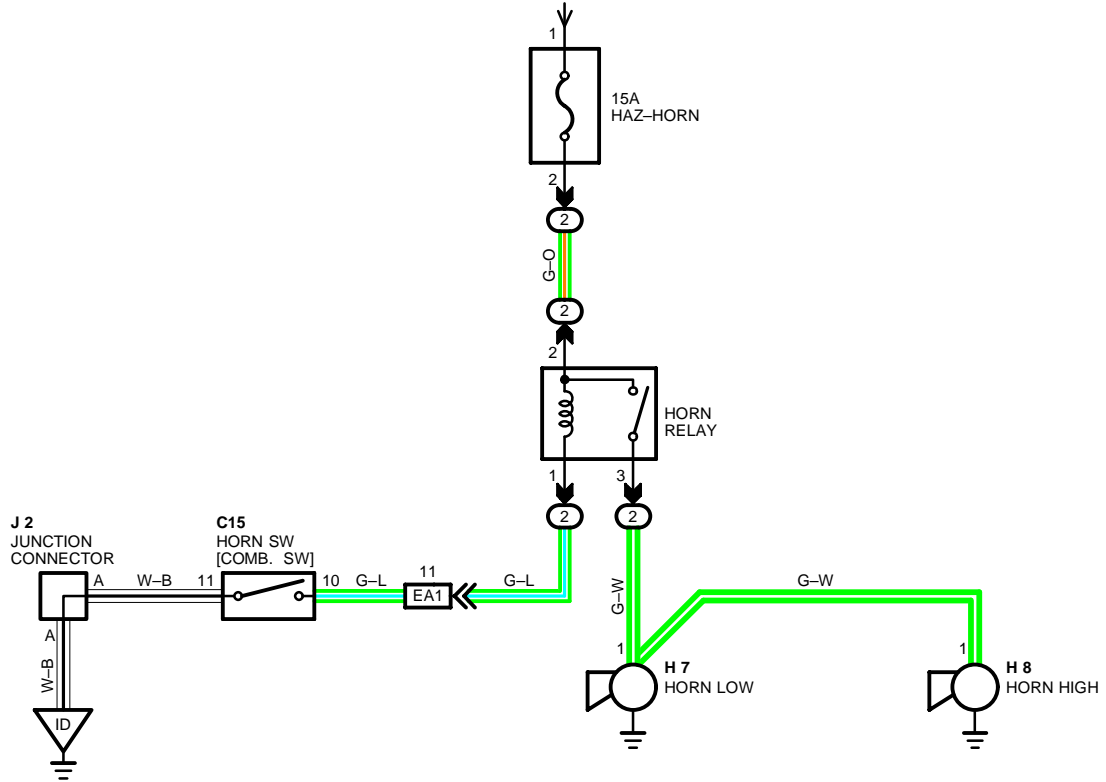


FROM POWER SOURCE SYSTEM (SEE PAGE 40)



SERVICE HINTS

HORN RELAY

(2) 2- (2) 3 : CLOSED WITH HORN SW ON

○ : PARTS LOCATION

CODE	SEE PAGE	CODE	SEE PAGE	CODE	SEE PAGE
C15	20	H 8	19		
H 7	19	J 2	20		

□ : RELAY BLOCKS

CODE	SEE PAGE	RELAY BLOCKS (RELAY BLOCK LOCATION)
2	16	R/B NO. 2 (FRONT SIDE OF LEFT FENDER)

□ : CONNECTOR JOINING WIRE HARNESS AND WIRE HARNESS

CODE	SEE PAGE	JOINING WIRE HARNESS AND WIRE HARNESS (CONNECTOR LOCATION)
EA1	22	COWL WIRE AND ENGINE ROOM MAIN WIRE (LEFT FENDER)

▽ : GROUND POINTS

CODE	SEE PAGE	GROUND POINTS LOCATION
ID	24	LEFT KICK PANEL

