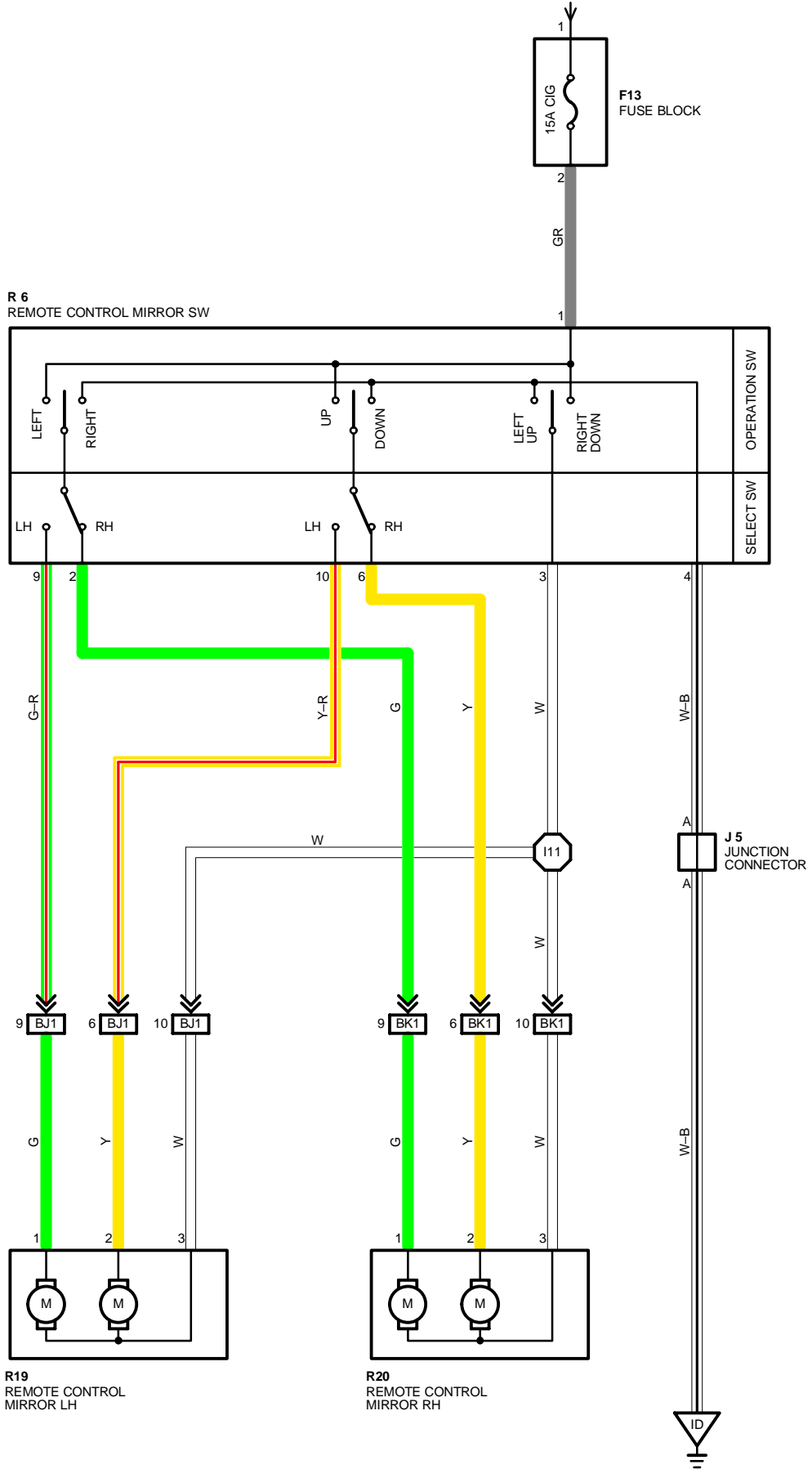


# REMOTE CONTROL MIRROR

FROM POWER SOURCE SYSTEM (SEE PAGE 40)



## SERVICE HINTS

### R 6 REMOTE CONTROL MIRROR SW

- 1-GROUND : APPROX. 12 VOLTS WITH IGNITION SW AT **ACC** OR **ON** POSITION
- 3-4 : CONTINUITY WITH OPERATION SW AT **UP** OR **LEFT** POSITION
- 1-3 : CONTINUITY WITH OPERATION SW AT **DOWN** OR **RIGHT** POSITION

### ○ : PARTS LOCATION

CODE	SEE PAGE	CODE	SEE PAGE	CODE	SEE PAGE
F13	20	R 6	20	R20	21
J 5	20	R19	21		

### □ : CONNECTOR JOINING WIRE HARNESS AND WIRE HARNESS

CODE	SEE PAGE	JOINING WIRE HARNESS AND WIRE HARNESS (CONNECTOR LOCATION)
BJ1	26	FRONT DOOR LH WIRE AND COWL WIRE (LEFT KICK PANEL)
BK1	26	FRONT DOOR RH WIRE AND COWL WIRE (RIGHT KICK PANEL)

### ▽ : GROUND POINTS

CODE	SEE PAGE	GROUND POINTS LOCATION
ID	24	LEFT KICK PANEL

### ○ : SPLICE POINTS

CODE	SEE PAGE	WIRE HARNESS WITH SPLICE POINTS	CODE	SEE PAGE	WIRE HARNESS WITH SPLICE POINTS
I11	24	COWL WIRE			

F13  
(SEE PAGE 18)



(HINT : SEE PAGE 7)

