

# Body (Interior & Exterior)

<b>GENERAL .....</b>	<b>BD - 2</b>
<b>EXTERIOR .....</b>	<b>BD - 6</b>
<b>INTERIOR .....</b>	<b>BD -31</b>
<b>BUMPER .....</b>	<b>BD -49</b>
<b>SEAT .....</b>	<b>BD -54</b>

# GENERAL



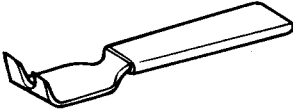
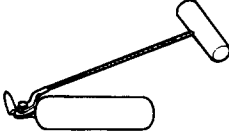
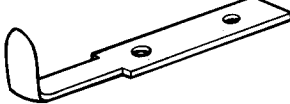
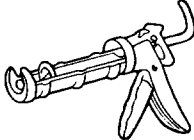

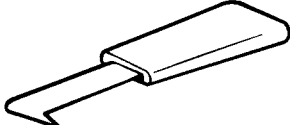
## SPECIFICATIONS ESMB0010

<b>Hood</b> Type	Rear hinged, front opening type, gas lifter type
<b>Front door</b> Construction Regulator system Locking system	Front hinged, full door construction Wire drum type Pin-fork system
<b>Rear door</b> Construction Regulator system Locking system	Front hinged, full door construction Wire drum type Pin-fork system
<b>Tailgate</b> Type	Inner hinged, gas lifter type
<b>Glass thickness</b> mm (in) Windshield glass Front door glass Rear door glass Rear fixed glass Tailgate glass	5 (0.20) 3.2 (0.13) 3.2 (0.13) 3.2 (0.13) 3.2 (0.13)
<b>Seat belt</b>	E.L.R (Emergency Locking Retractor)

## TIGHTENING TORQUE ESMB0050

	Nm	kg-cm	lb-ft
<b>Front and rear doors</b>			
Door hinge to body	21-33	210-330	15.5-24.3
Door hinge to door	17-26	170-260	12.5-19.2
<b>Tailgate</b>			
Tailgate hinge to body	11-16	110-160	8.1-11.8
Tailgate hinge to tailgate	11-16	110-160	8.1-11.8
Gas lifter to body	11-16	110-160	8.1-11.8
Gas lifter to tailgate	11-16	110-160	8.1-11.8
<b>Hood</b>			
Hood hinge to body	9-14	90-140	6.6-10.3
Hood hinge to hood	9-14	90-140	6.6-10.3
Hood latch to body	7-11	70-110	5.2-8.1
Gas lifter mounting bolts	7-11	70-110	5.2-8.1
<b>Seat belt</b>			
Front seat belt upper anchor	35-55	350-550	25.8-40.6
Front seat belt retractor	35-55	350-550	25.8-40.6
Height adjuster	35-55	350-550	25.8-40.6
Second and third seat belt upper anchor	35-55	350-550	25.8-40.6
Second and third seat belt lower anchor	35-55	350-550	25.8-40.6
Second and third seat belt retractor	35-55	350-550	25.8-40.6
<b>Seat</b>			
Front seat mounting bolts	35-55	350-550	25.8-40.6
Rear seat mounting bolts	35-55	350-550	25.8-40.6

## SPECIAL TOOLS ESHA0100

Tool (Number and name)	Illustration	Use
09793-21000 Door hinge adjusting wrench	 <p style="text-align: right;">ESA9010F</p>	Adjustment, removal, and installation of the door hinge
09800-21000 Ornament remover	 <p style="text-align: right;">ESA9010G</p>	Trim removal
09853-31000 Headliner clip remover	 <p style="text-align: right;">ESA9010H</p>	Removal of the headliner clip
09861-31100 Sealant cut-out tool	 <p style="text-align: right;">ESA9010I</p>	Cutting the sealant of the windshield (use with 09861-31200)
09861-31200 Sealant cutting blade	 <p style="text-align: right;">ESA9010J</p>	Cutting the sealant of the windshield (use with 09861-31100)
09861-31300 Sealant gun	 <p style="text-align: right;">ESA9010K</p>	Application of the sealant to the windshield
09861-31400 Glass holder	 <p style="text-align: right;">ESA9010L</p>	Removal and installation of the windshield
09861-31000 Windshield moulding remover	 <p style="text-align: right;">ESA9010M</p>	Removal of the windshield moulding

## TROUBLESHOOTING

ESHA0150

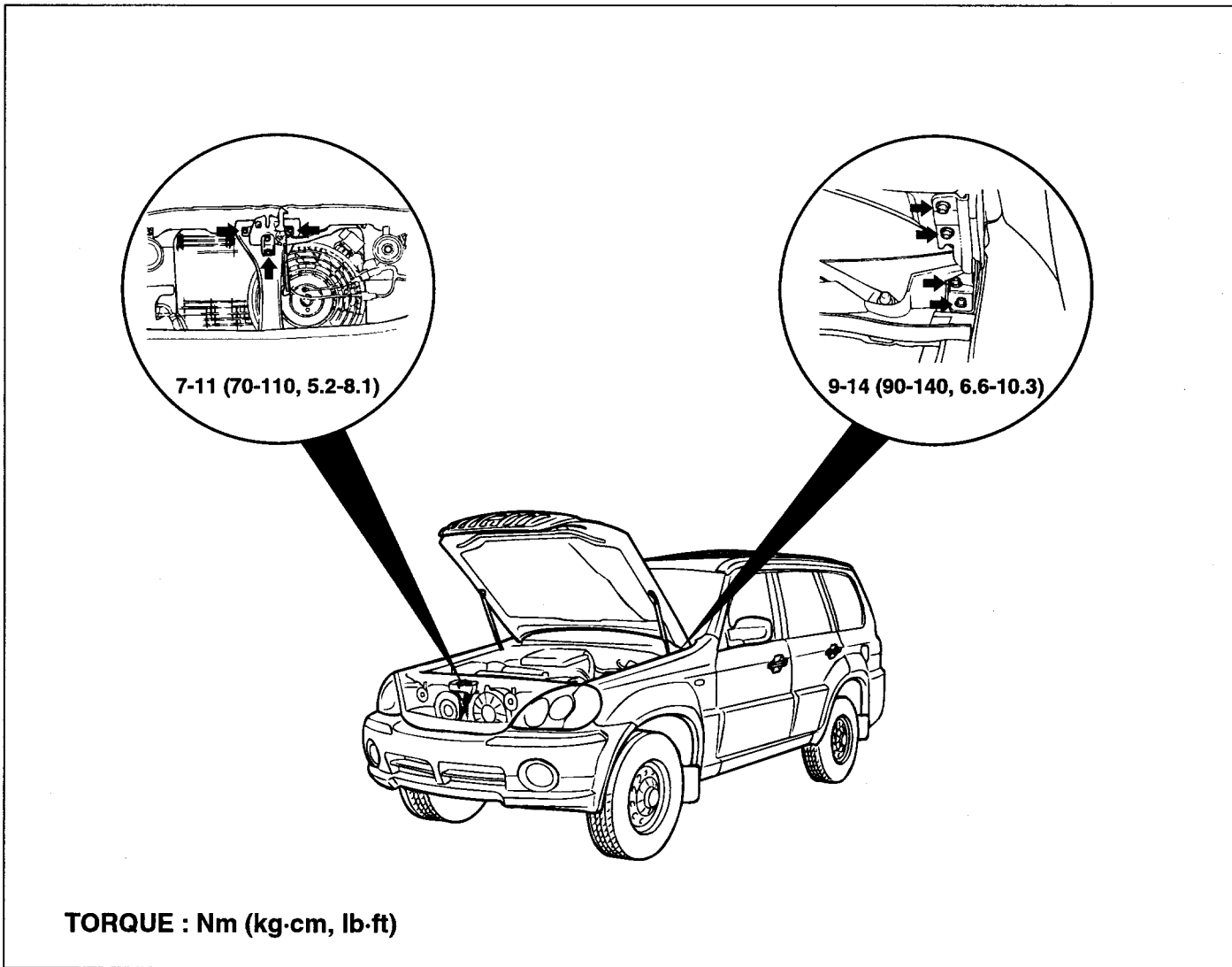
Trouble symptom	Probable cause	Remedy
Water leaks from sunroof	Dirt accumulated in drain tube	Clear dirt inside of drain
	Clogged drain tube	Blow air into drain to remove dirt
	Broken or dislocated drain tube, defective or cracked clip	Check tube installation and flange contact
	Deteriorated roof lid weatherstrip	Replace
	Excessive roof lid-to-body clearance and improperly fitted weatherstrip	Adjust
Wind noise around sunroof	Loose or deformed deflector, gaps in body work	Retighten adjust or replace
Sunroof makes a noise when moved	Foreign particles lodged in guide rail	Check drive cable and guide rails for foreign particles
	Loose guide rails and lid	Retighten
Motor runs but sunroof does not move or moves only halfway	Foreign particles lodged in guide rail	Check drive cable and guide rails for foreign particles
	Incorrect engagement of motor pinion with drive cable	Check for loose motor installation and damaged pinion
	Decrease in motor's clutch slipping force	Adjust
	Increased sunroof sliding resistance or interference of sunroof with drive cables, weatherstrip, etc. due to maladjustment of sunroof	Adjust or replace
Noise in motor (clutch slipping noise from motor when sunroof is fully opened or closed is not an unusual noise.)	Incorrect engagement of motor pinion with drive cable	Check pinion installation and retighten motor
	Worn out or damaged motor pinion bearing	Replace motor assembly
	Worn out or deformed drive cable	Replace
Door glass fails to operate up and down	Incorrect window glass installation	Adjust position
	Damaged or faulty regulator arm or regulator	Correct or replace
Door does not open or close completely	Incorrect door installation	Adjust position
	Defective door check assembly	Correct or replace
	Door hinge requires grease	Apply grease
Hood does not open or close completely	Striker and latch not properly aligned	Adjust
	Incorrectly installed hood	Adjust
	Incorrect hood bumper height	Adjust
Water leak through windshield and rear window	Defective seal	Fill with sealant
	Defective flange	Correct

Trouble symptom	Probable cause	Remedy
Wind noise around door	Weatherstrip not holding firmly	Adjust fit of door
	Improperly installed weatherstrip	Repair or replace
	Improperly closed door	Adjust
	Improperly fit door	Adjust
	Improper clearance between door glass and division channel	Adjust
	Deformed door	Repair or replace

# EXTERIOR

## HOOD

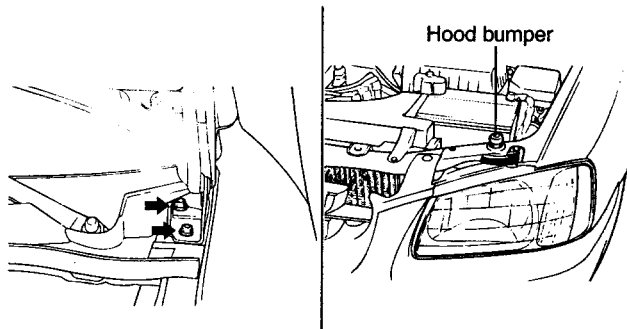
### COMPONENTS ESMB0100



ESMB010A

### HOOD ALIGNMENT ADJUSTMENT ESMB0150

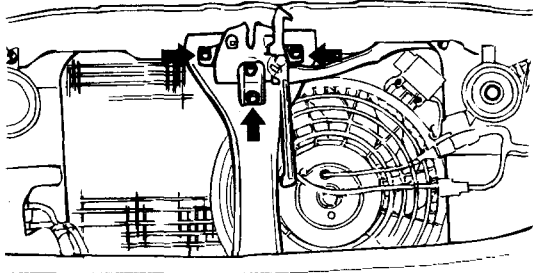
1. Adjust the longitudinal and lateral positions of the hood by utilizing the holes in the hinge.
2. Turn the hood bumpers either clockwise or counter-clockwise to adjust the height of the hood.



ESMB015A

3. Loosen the bolts holding the hood latch.

4. Adjust the alignment of the hood striker and the hood latch by adjusting the horizontal and vertical position of the latch and the height of the hood.

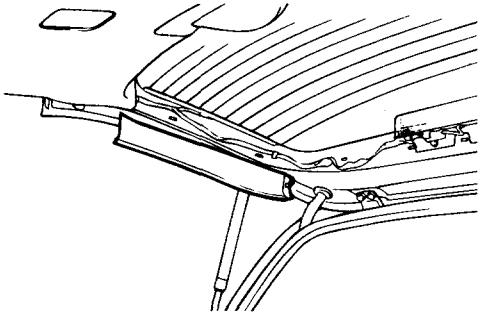


KSMB012B

## TAILGATE

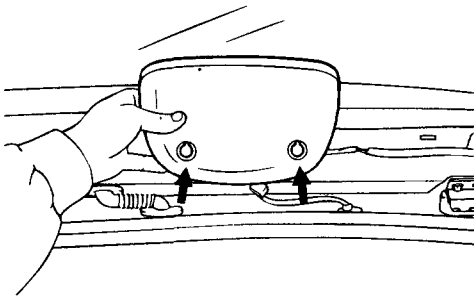
### REMOVAL AND INSTALLATION ESMB0200

1. Remove the side trim from the tailgate frame.



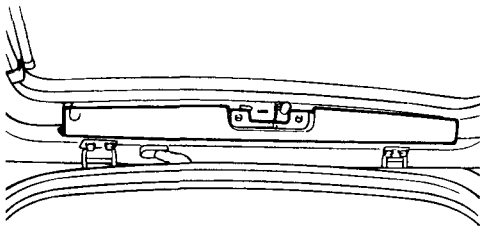
ESHA010B

2. Remove the high mounted stop lamp after removing the mounting bolts (2EA).



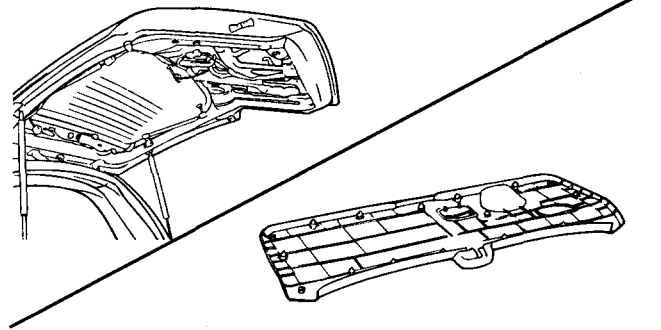
ESJA040N

3. Remove the upper trim from the tailgate frame.



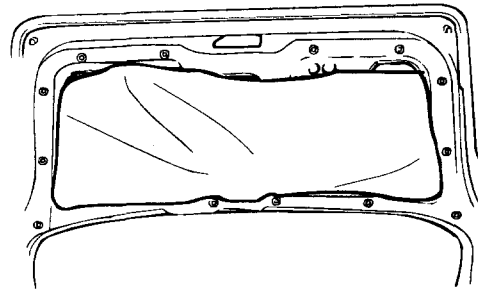
ESJA040A

4. Remove the tapping screw and the trim grip and then the tailgate trim panel.



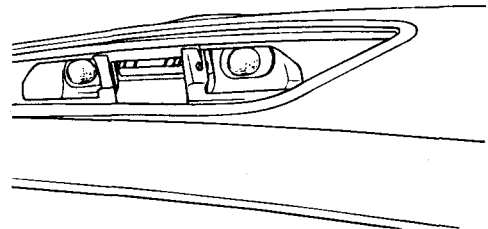
ESJA100D

5. Remove the tailgate trim seal.



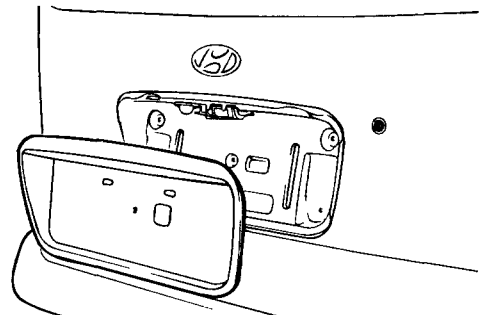
KSMB004A

6. Remove the license lamp.



KSMB004B

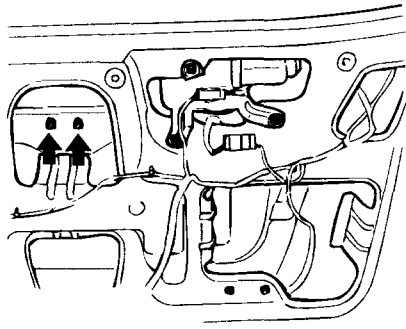
7. Remove the back panel molding after removing the mounting nuts (5EA).



KSMB004C

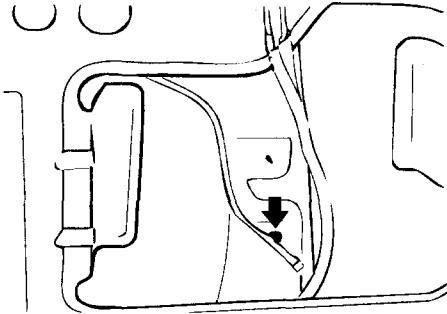
8. Remove the tailgate outside handle after removing the mounting nuts (2EA), and then disconnect the rod.





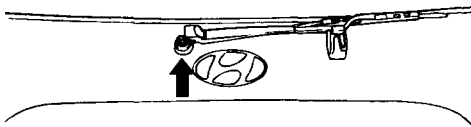
KSMB801A

9. Remove the key cylinder after removing the mounting bolt and then disconnect the rod.



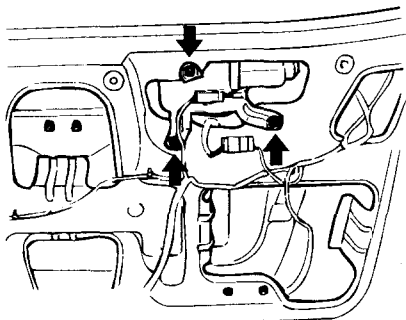
KSMB004E

10. Remove the rear wiper motor after removing the mounting nut.



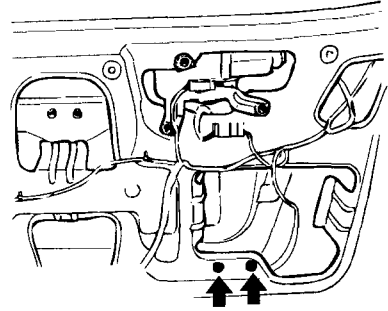
ESJA040H

11. Remove the rear wiper motor after removing the mounting bolts (3EA), and then disconnect the wire connectors.



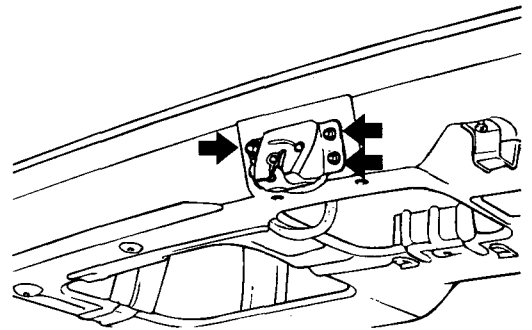
KSMB004D

12. Remove the tailgate actuator after removing the mounting bolts (2EA) and then disconnect the wire connectors and rod.

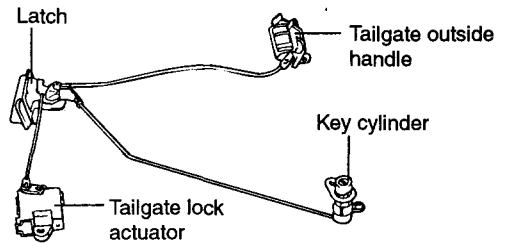


KSMB004F

13. Remove the tailgate latch after removing the mounting screws (3EA).

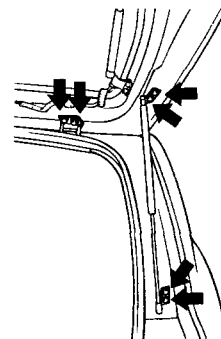


KSMB004G



ESMB020A

14. Remove the tailgate lifter and hinge mounting bolts.



KSMB025A

**Tightening torque**

Tailgate hinge mounting bolts :

11-16 Nm (110 - 160 kg·cm, 8.1-11.8 lb·ft)

Tailgate lifter mounting bolts :

11-16 Nm (110 - 160 kg·cm, 8.1-11.8 lb·ft)

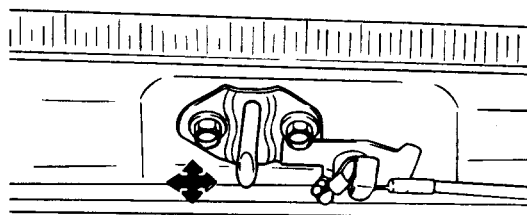
15. Remove the tailgate.

16. Installation is the reverse of removal.

**ADJUSTMENT**

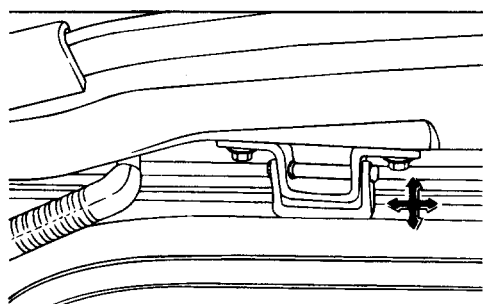
ESMB0250

1. Adjust the striker up or down, and right or left until the tailgate is flush with the rear edge of the body.



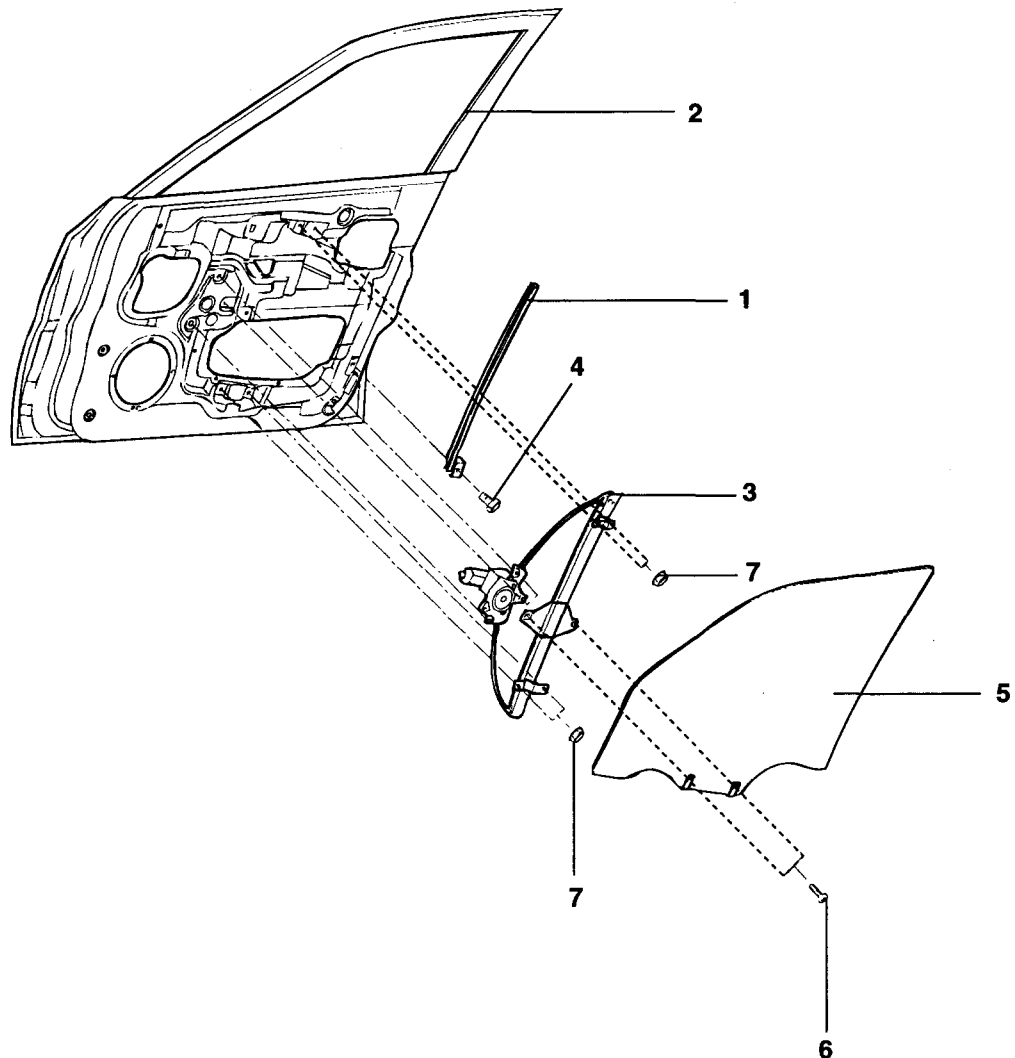
KSMB030A

2. Adjust the tailgate hinges up or down, and right or left as necessary to equalize the gap between the tailgate and body.



KSMB030B

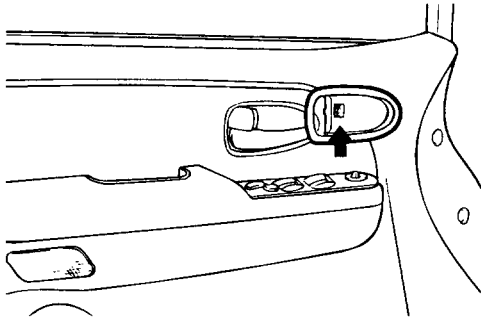
## FRONT DOOR

COMPONENTS ESMB0300

1. Front door rear channel
2. Front door glass run
3. Power window regulator assembly
4. Bolts
5. Front door glass
6. Tapping screws
7. Flange nuts

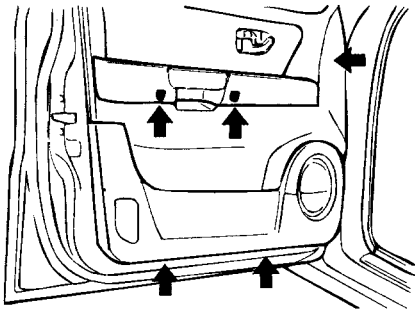
**REMOVAL AND INSTALLATION** ESMB0350

1. Loosen the screw holding the handle inside door.



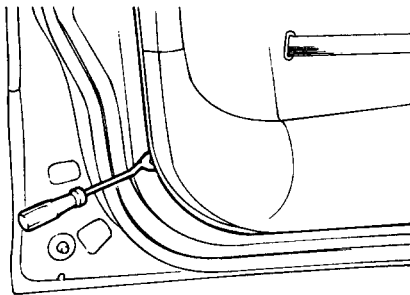
KSMB006A

2. Loosen the screws holding the door trim panel.



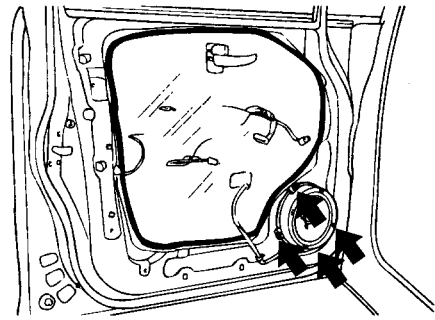
KSMB006B

3. Insert a trim panel remover between the trim fasteners and the door trim panel to pry off. Disconnect the wire connectors from the front door.



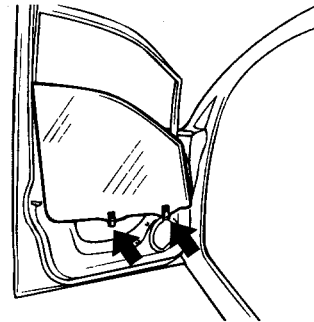
ESHA015D

4. Remove the front speaker and the door trim seal after removing the inside door handle.



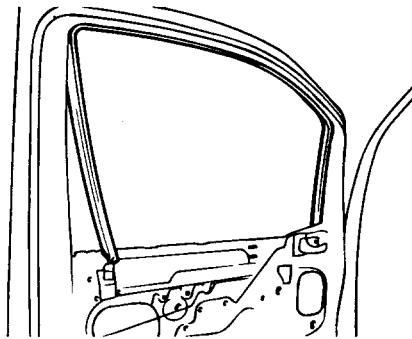
ESHA015E

5. Remove the front door glass from the power window regulator after removing tapping screws (2EA).



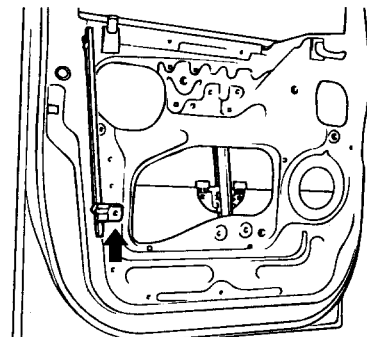
ESHA015F

6. Remove the front door window glass run.



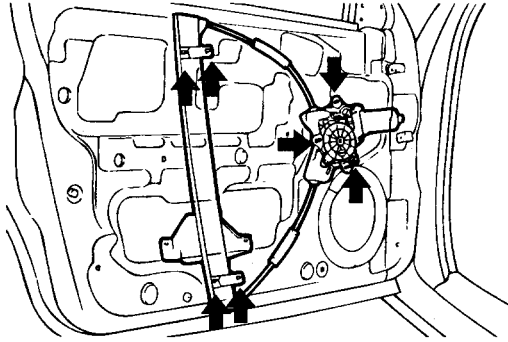
ESLA010H

7. Remove the rear channel from the front door after removing a bolt.



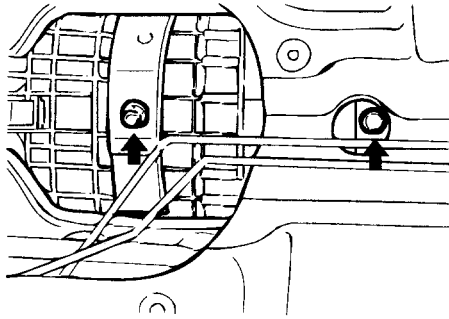
ESLA010G

8. Loosen the 4 nuts holding front door window regulator and 3 nuts holding power window motor. Remove the regulator assembly.



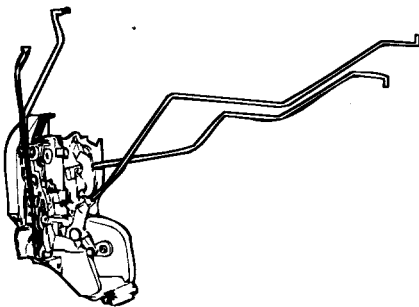
KSMB040D

9. Remove the door outside handle and key cylinder after removing bolts and rod.



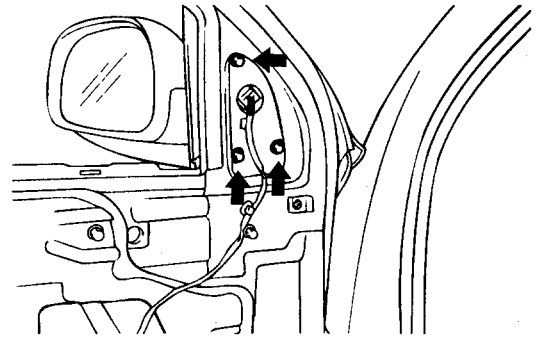
KSMB006C

10. Remove the front door lock actuator and latch assembly after removing the mounting screws and wire connectors.



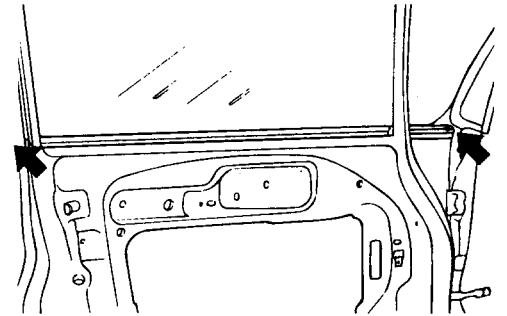
KSMB002D

11. Remove the outside rear view mirror.



ESJA060L

12. Remove the door belt outside weatherstrip.



ESHA015L

13. Installation is the reverse of the removal process. When installing the door trim seal, butyl tape should not be placed over the area when installing the door trim fastener.

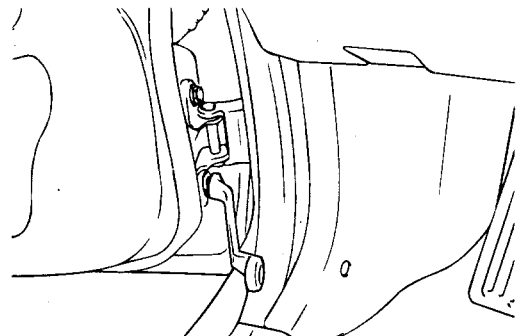
**ADJUSTMENT** ESHA0400

**DOOR POSITION**

Check for a flush fit with the body, then check for an equal gap between the front and rear, top and bottom door edges and the body. The door and body edges should also be parallel.

**! CAUTION**

**Attach protective tape to the fender edges where the hinge is installed.**

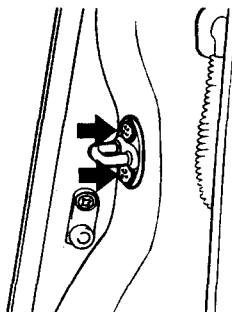


ESA9095A

**DOOR STRIKER**

Make sure the door is not loose, and that it latches securely without slamming. If necessary, adjust the door as follows :

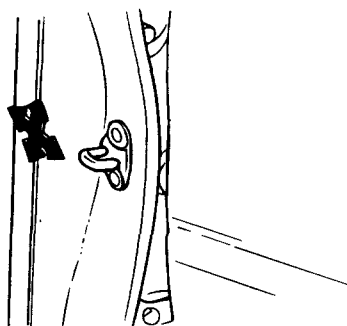
1. Draw a line around the striker plate for reference.
2. Loosen the striker screws, and move the striker IN and OUT to make the latch fit tighter or looser. Move the striker UP and DOWN to align it with the latch opening. Then lightly tighten the screws and recheck.



ESHA015N

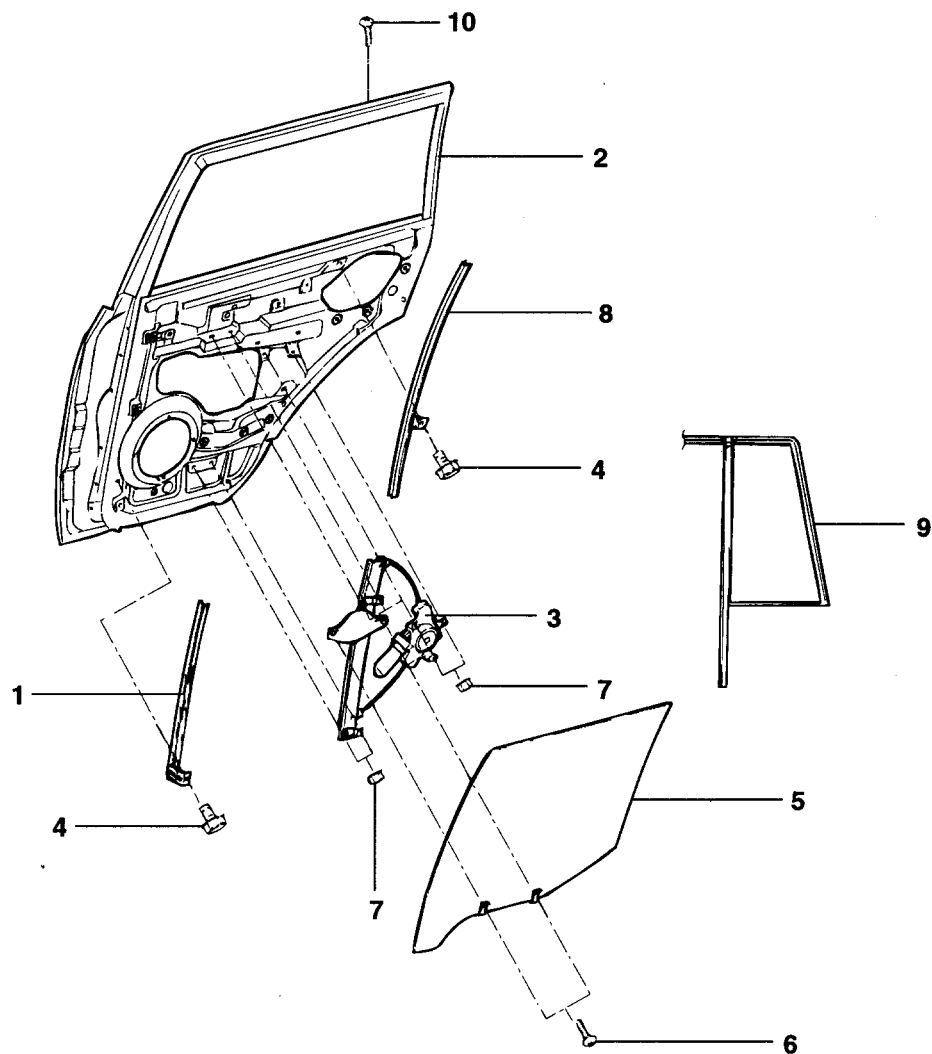
** NOTE**

*Hold the outside handle outward and push the door against the body to verify the striker provides a tight fit.*



ESA9095B

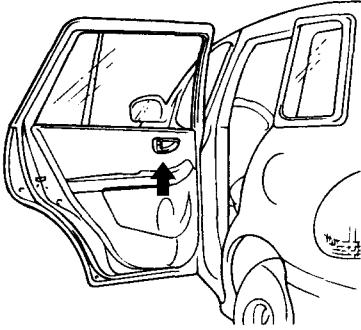
## REAR DOOR

COMPONENTS ESMB0450

1. Rear door front channel
2. Rear door glass run
3. Power window regulator assembly
4. Bolt
5. Rear door glass
6. Tapping screws
7. Flange nuts
8. Rear door division channel
9. Fixed glass
10. Screw

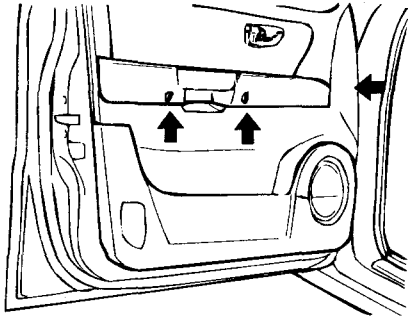
**REMOVAL AND INSTALLATION** ESMB0500

1. Loosen the screw holding the handle inside the door.



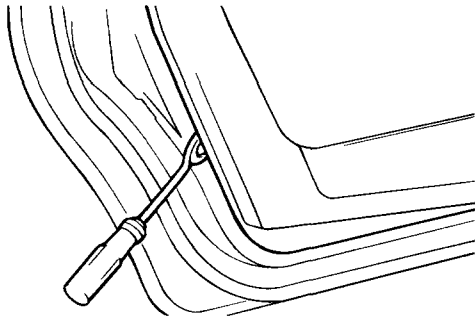
ESJA045A

2. Remove the 3 screws holding door trim panel.



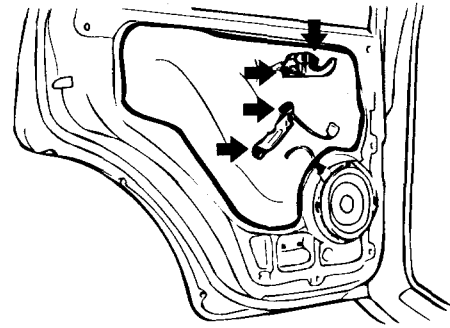
KSMB003B

3. Insert a trim panel remover between the trim fasteners and the door trim panel to pry off.  
Disconnect the wire connectors from the rear door.



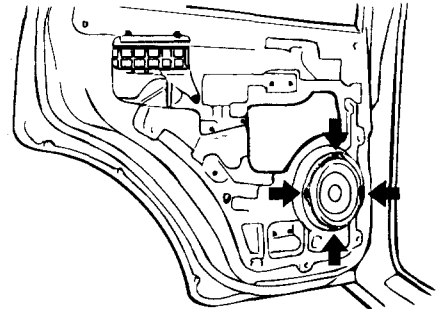
ESHA020D

4. Remove the door trim seal after removing the door inside handle.



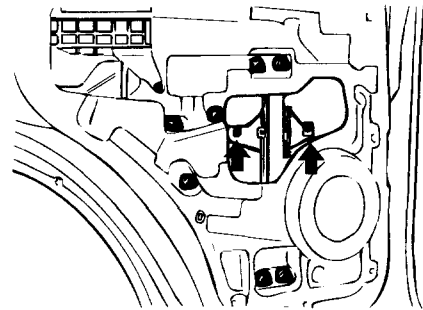
KSMB003C

5. Remove the rear door speaker after removing 4 screws.



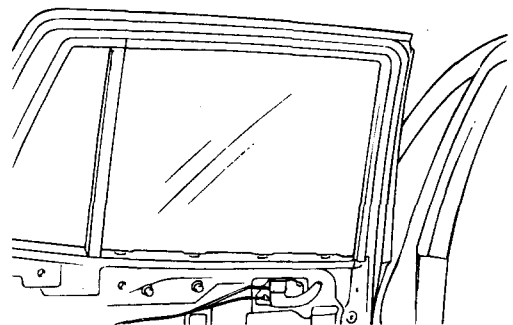
KSMB003D

6. Remove the 2 screws holding rear door glass.



KSMB801B

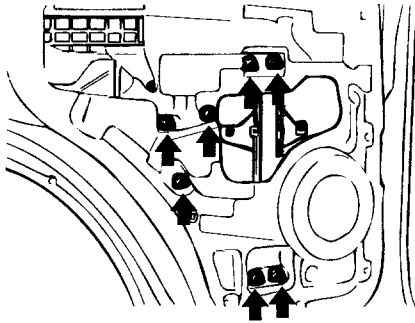
7. Remove the rear door glass from the regulator assembly.



ESJA045F

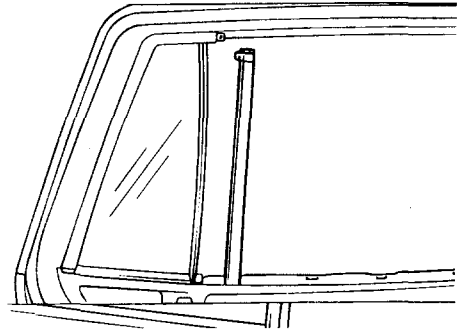


8. Loosen the 4 nuts holding rear door window regulator and 3 nuts holding power window motor. Remove the regulator assembly.



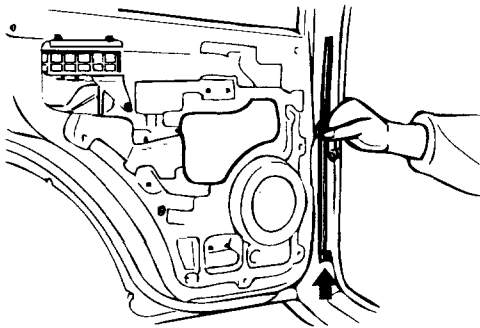
KSMB003E

11. Remove the rear door division channel.



ESJA045H

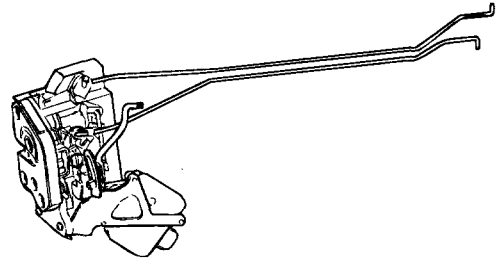
9. Remove the front channel from the rear door after removing a bolt.



KSMB003F

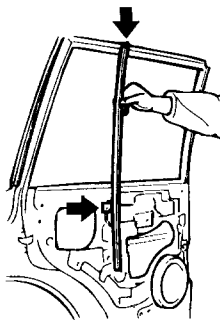
12. Remove the rear door fixed glass.

13. Disconnect rod to outside handle and remove the rear door lock and latch assembly.



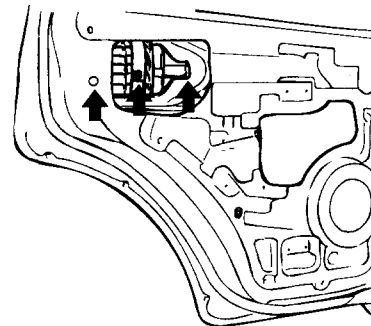
KSMB002E

10. Loosen the 2 bolts holding division channel after removing the rear door glass run.



KSMB003G

14. Remove the outside handle after removing 3 bolts.



KSMB003H

15. Installation is the reverse of the removal process. When installing the door trim seal, butyl tape should not be placed over the area installing the door trim fastener.

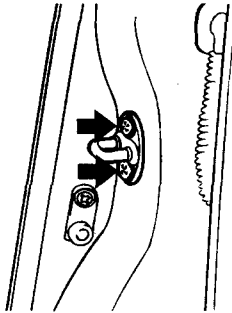
**ADJUSTMENT** ESHA0500**DOOR POSITION**

Check for a tight fit with the body, then check for an equal gap between the front and rear, top and bottom door edges and the body. The door and body edges should also be parallel.

**DOOR STRIKER**

Make sure the door is not loose, and that it latches securely without slamming. If necessary, adjust the door as follows :

1. Draw a line around the striker plate for reference.
2. Loosen the striker screws, and move the striker IN and OUT to make the latch fit tighter or looser. Move the striker UP and DOWN to align it with the latch opening. Then lightly tighten the screws and recheck.



ESHA015N

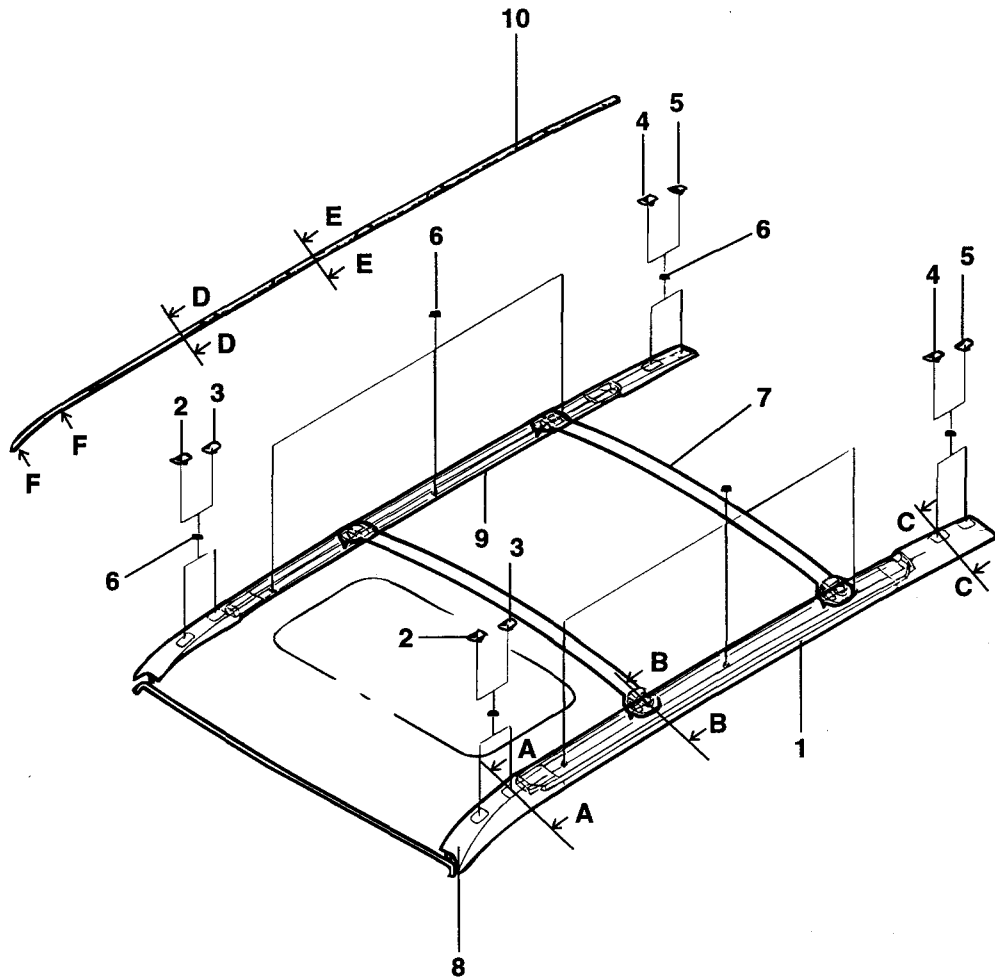
**NOTE**

*Hold the outside handle outward and push the door against the body to verify that the striker provides a tight fit.*

**BODY SIDE MOLDINGS**

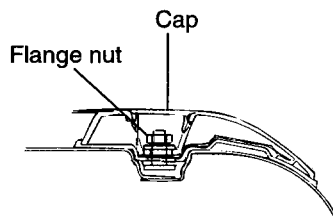
**ROOF CARRIER & MOLDINGS** ESMB0550

**COMPONENTS**

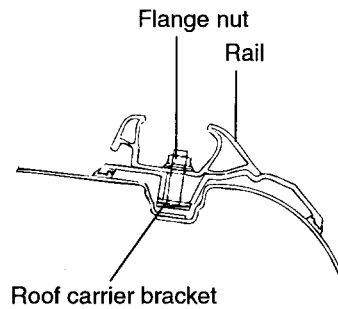


- 1. Roof carrier assembly
- 2. Cap (No.1)
- 3. Cap (No.2)
- 4. Cap (No.3)
- 5. Cap (No.4)
- 6. Flange nuts
- 7. Roof carrier bar
- 8. Roof carrier base
- 9. Roof carrier rail
- 10. Roof moldings

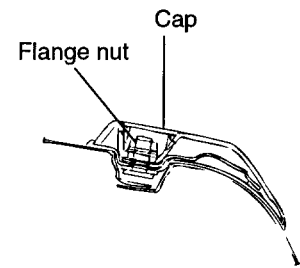
## [ ROOF CARRIER ]



Section A-A

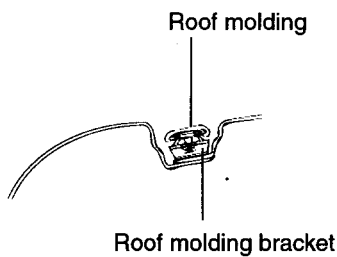


Section B-B

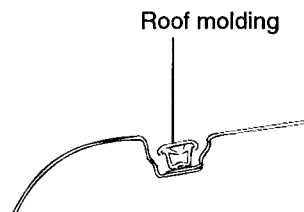


Section C-C

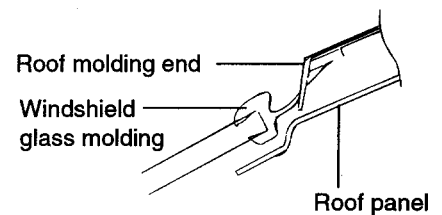
## [ ROOF MOLDINGS ]



Section D-D



Section E-E



Section F-F

ESMB055B

## REMOVAL AND INSTALLATION

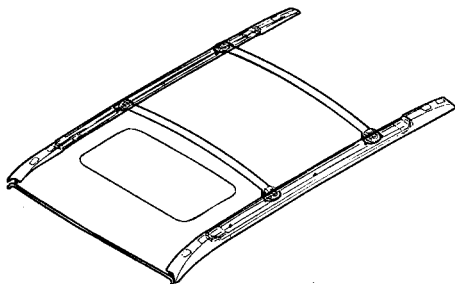
ESMB0600

## ROOF CARRIER

Remove the roof carrier assembly after removing caps and nuts.

 **NOTE**

The maximum load weight of roof carrier is 34kg(75lbs) and the load is evenly distributed.



KSMB001J

## ROOF MOLDINGS

1. Remove the roof moldings by using a flat bladed screwdriver.

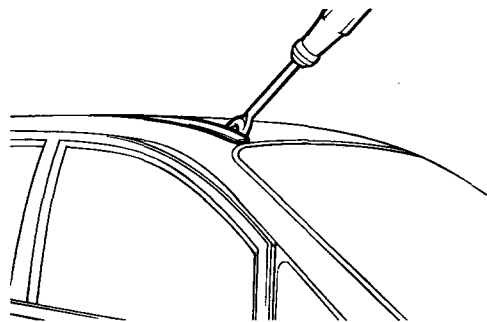
 **CAUTION**

*When prying with a flat bladed screwdriver, wrap it with protective tape to prevent damage. In order not to scratch the body and roof side garnish, use protective tape on the body.*

2. Pull the roof moldings up, then remove the roof moldings.
3. Installation is the reverse of removal.

 **NOTE**

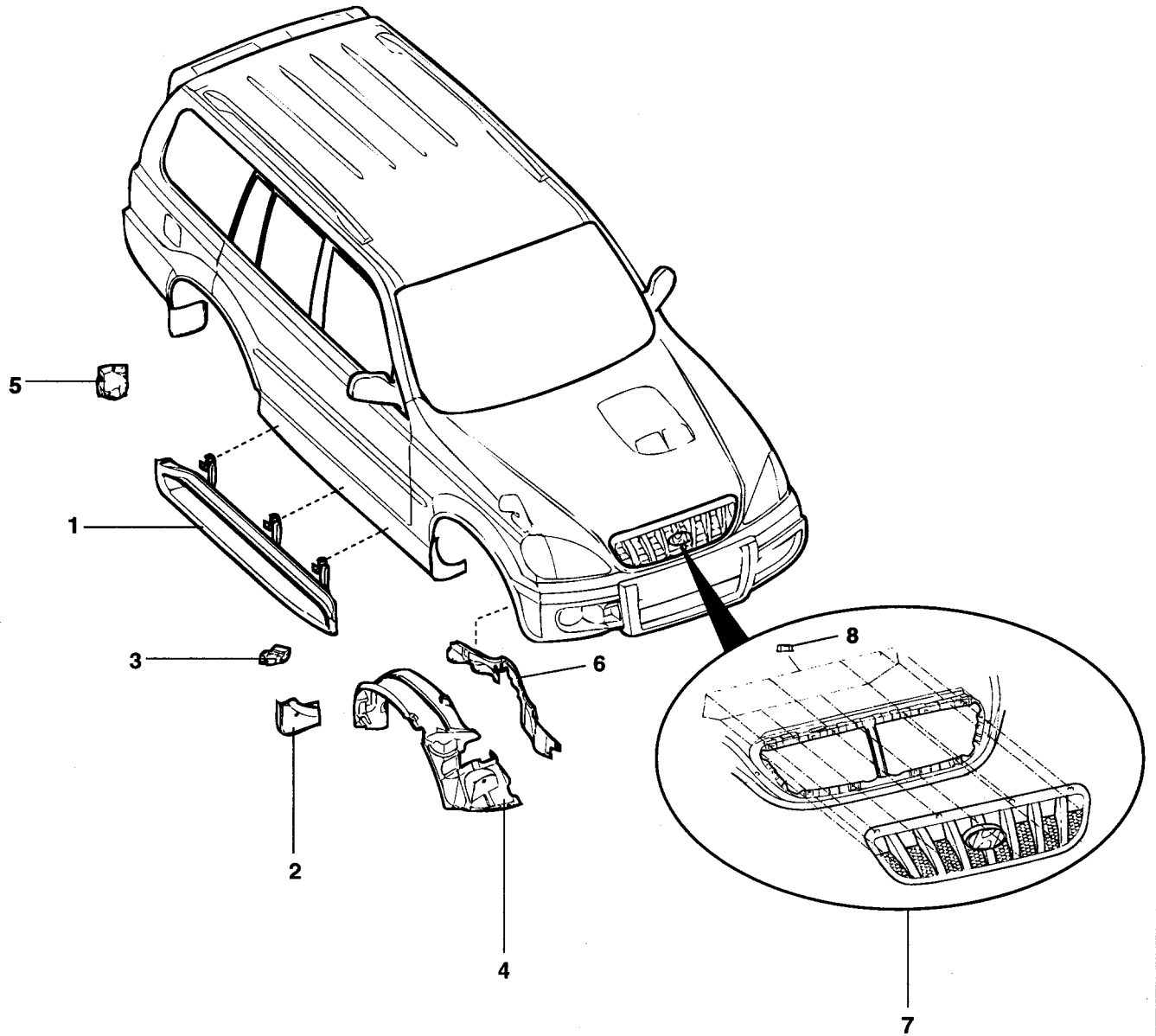
*If necessary, replace any damaged clips.*



ESHA025B

## BODY SIDE GARNISH ESMB0650

## COMPONENTS



1. Side step
2. Side step cover
3. Side step front mounting bracket
4. Front splash shield
5. Rear splash shield
6. Rubber shield
7. Radiator grille
8. Nuts

REMOVAL AND INSTALLATION

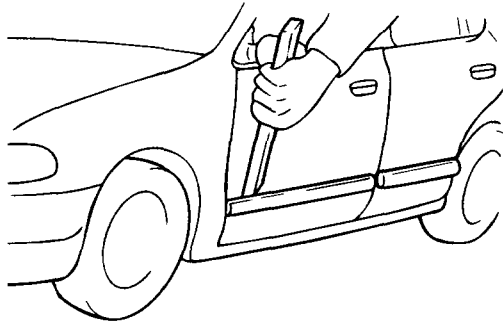
ESMB0660

WAISTLINE MOLDING

Beginning from either end, remove the waistline molding using the special tool (09800-21000) from the front and rear doors.

**CAUTION**

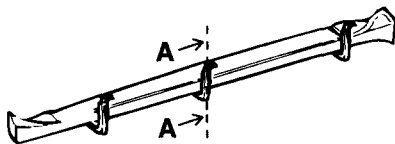
Take care not to scratch or bend the door moldings.



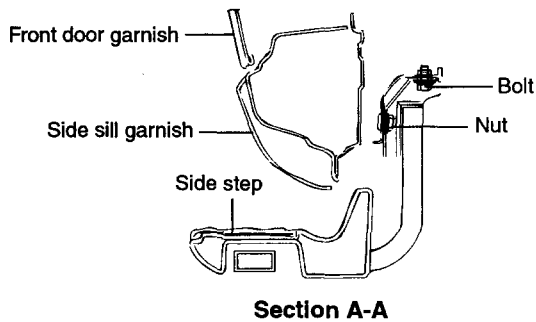
ESKA535A

SIDE STEP

Remove the side step after removing bolts and nuts.



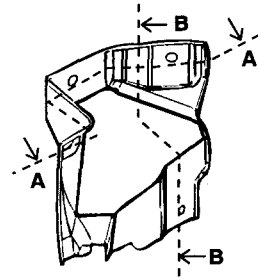
KSMB002R



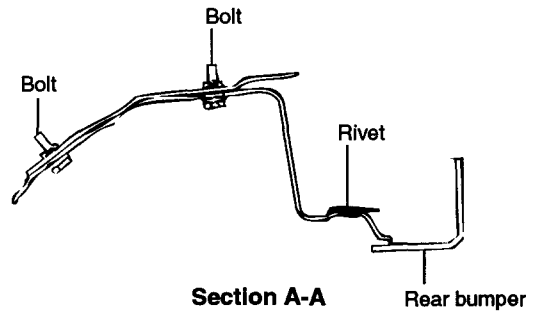
ESMB066A

REAR SPLASH SHIELD

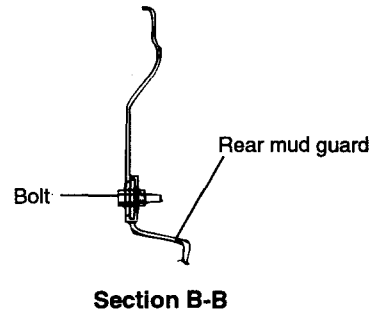
Remove the rear splash shield after removing bolts.



KSMB002T



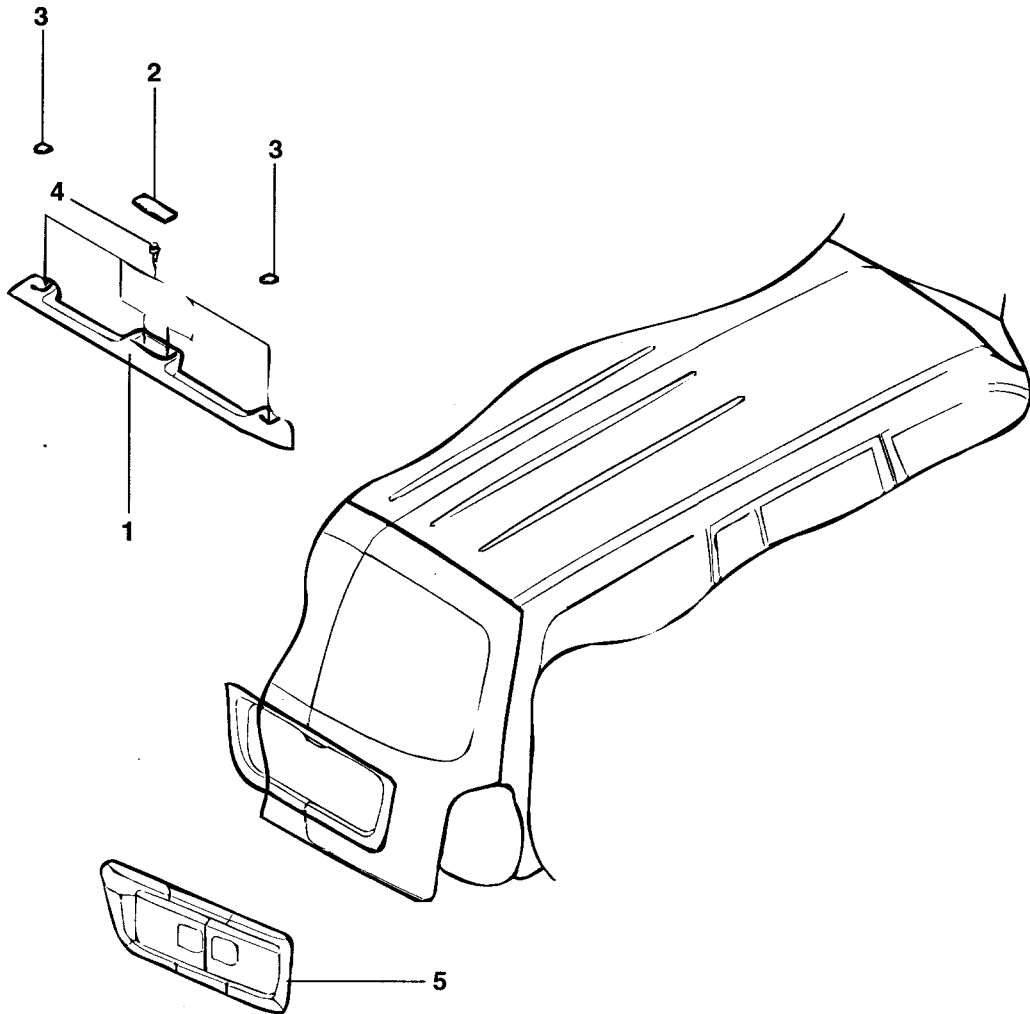
ESMB066B



ESMB066C

TAILGATE GARNISH ESMB0700

## COMPONENTS

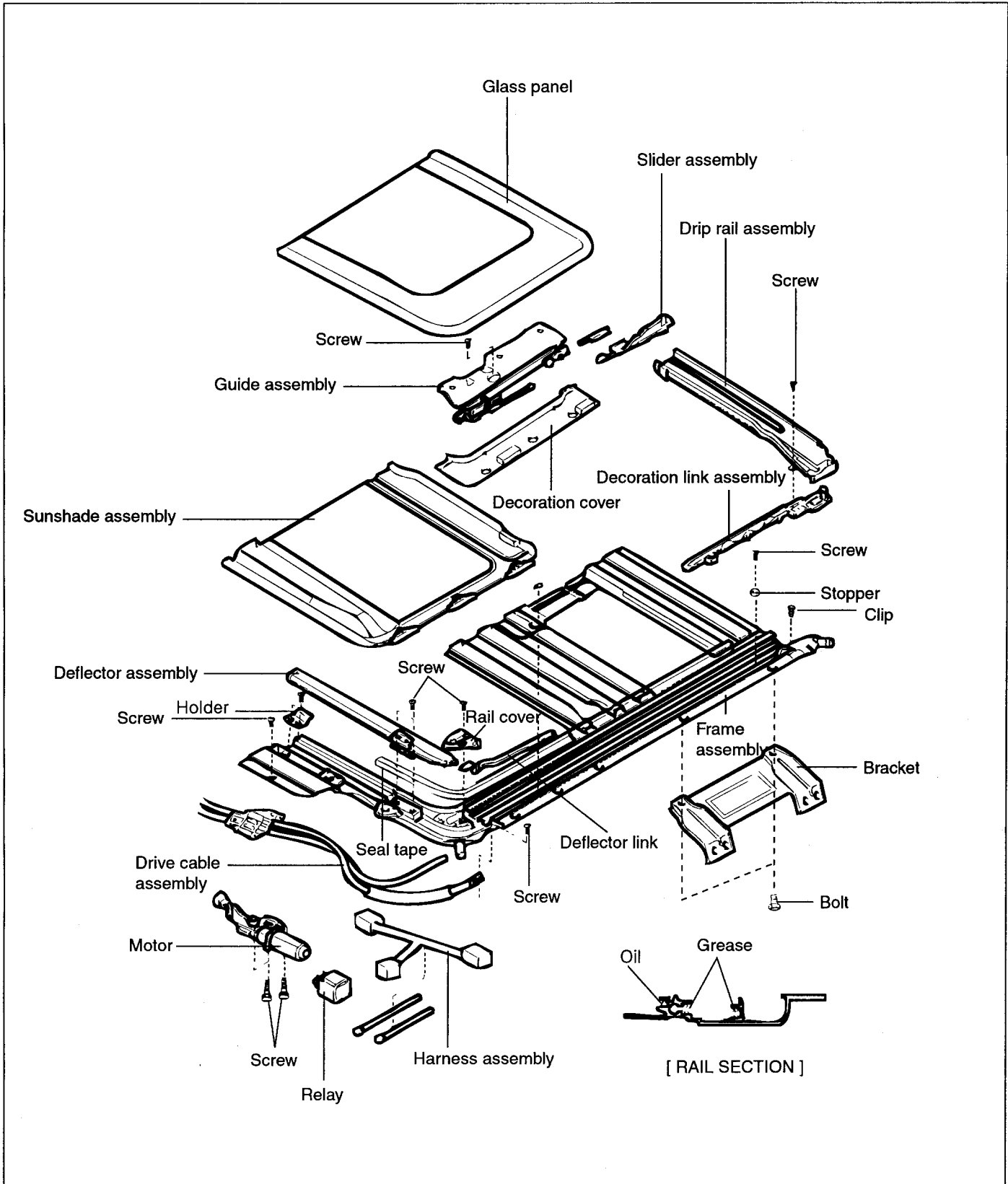


1. Spoiler
2. Center cap
3. Side cap
4. Bolts
5. Back panel moldings



# SUN ROOF

## COMPONENTS ESMB0750



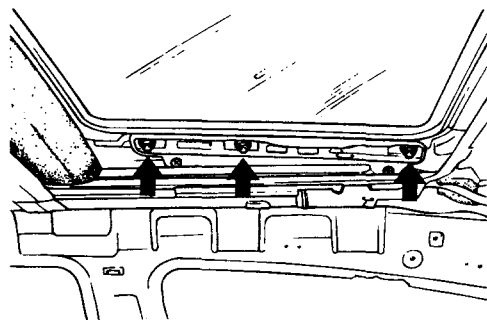
**REMOVAL** ESHA0700

1. To remove the sunroof, first remove the following parts :
  - 1) Overhead console lamp.
  - 2) Sun visor and grip handle.
  - 3) Pillar trims.
2. Remove the decoration cover and the glass panel.

**Tightening torque**

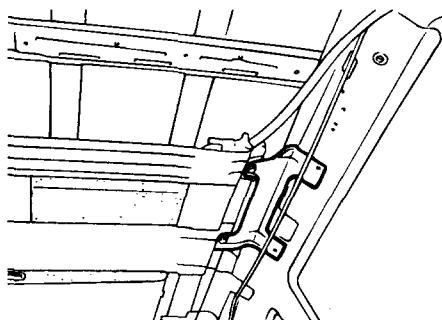
Glass panel mounting nuts :

4-6 Nm (40-60 kg·cm, 2.9-4.4 lb·ft)



ESA9011K

3. Disconnect the drain hose.



ESHA027A

4. Loosen the bolts and nuts holding the sunroof and then remove the sunroof assembly.

**Tightening torque**

Sunroof mounting bolts:

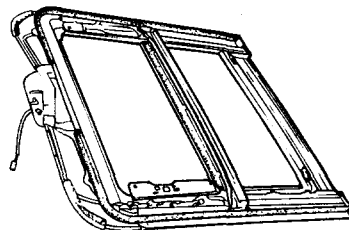
7-11 Nm (70-110 kg·cm, 5.1-8.0 lb·ft)

Sunroof mounting nuts:

4-6 Nm (40-60 kg·cm, 2.9-4.4 lb·ft)

**NOTE**

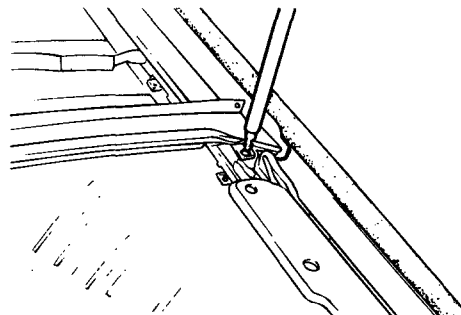
When removing the sunroof assembly, carefully pull out the assembly to avoid damaging other parts.



ESA9011B

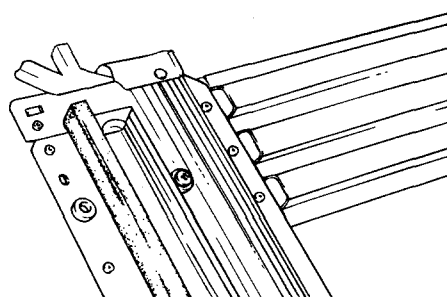
**DISASSEMBLY** ESHA0750

1. Remove the drip rail.



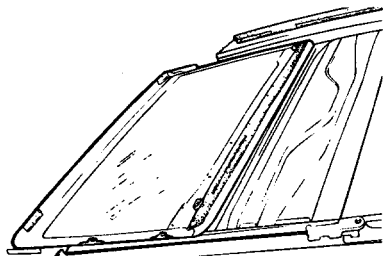
ESA9011C

2. Remove the stopper.

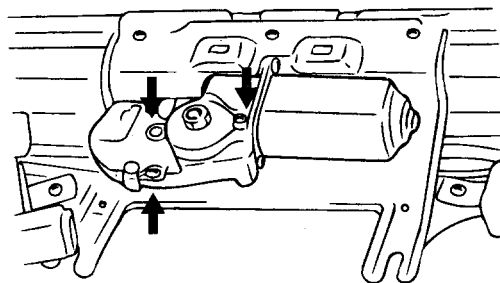


ESA9011D

3. Remove the sun shade.

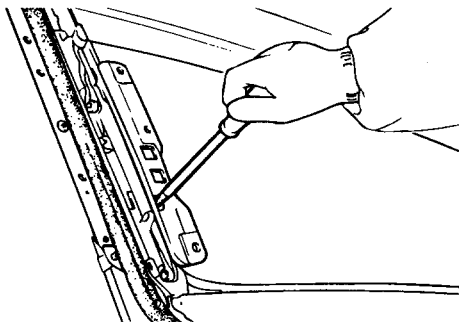


ESA9011E



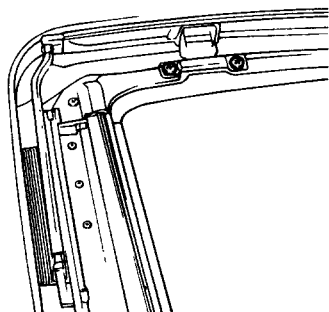
ESA9060N

4. Remove the guide assembly.



ESA9011F

5. Remove the deflector.



ESA9011G

6. Remove the motor assembly.

**CAUTION**

*When removing the motor, the slider assembly should always be in a fully closed position. If there is discrepancy between the glass position and the motor pulley in a fully closed position, the sunroof will not operate correctly.*

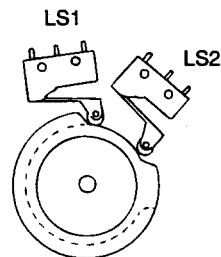
ESA9011H

**INSTALLATION** ESHA0850

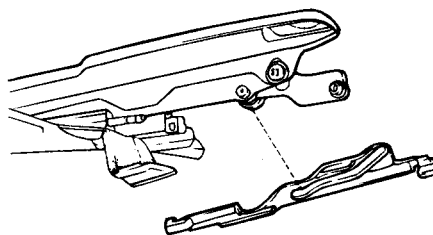
Installation is the reverse of removal.

**NOTE**

*Check that the limit switches (LS1 and LS2) of the motor are fully closed. Align the guide roller center and slider mating marks in the fully closed position.*



ESA9070D



## VERIFY OPERATING CONDITION AFTER INSTALLATION

ESHA0900

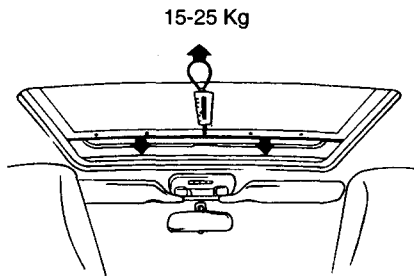
If the glass panel moves slowly, check and adjust.

1. Make sure the battery is fully charged.
2. Make sure that the sunroof sliding unit is free of abrasive materials.
3. Make sure that, when the glass panel opens, the rear of the panel does not jam against the roof panel. If there is interference, fully open the glass panel and move the stopper forward.

### NOTE

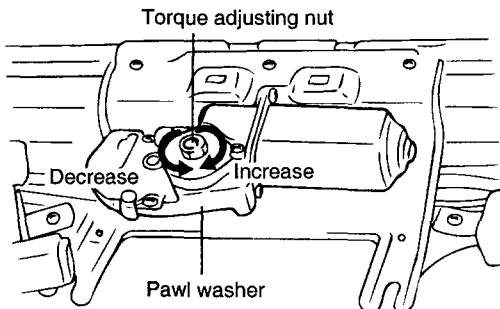
If the stopper is moved forward too far, it may cause malfunction or leaks. Make sure the gap between the glass panel and roof panel is not more than 0.3 mm (0.012 in.).

4. Measure the driving force of the motor, and adjust it to 15-25 kg (33.1-55.7 lb) with the torque adjustment nut on the motor.



ESA9075D

5. After adjustment, be sure to lock the nut with the pawl washer.



ESA9075E

## ADJUSTMENT

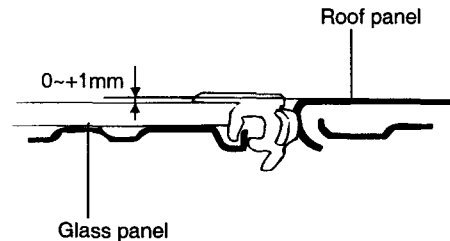
ESHA0950

Adjust the difference between the height of the glass panel and the roof panel.

Front side : 0 (+0, -1.0) mm

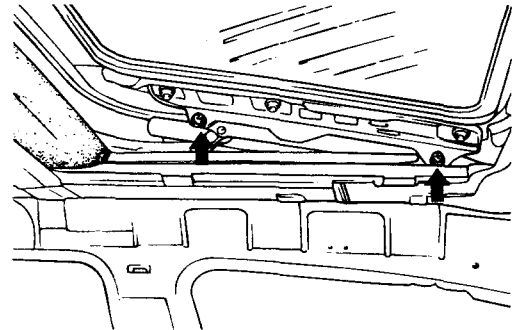
Rear side : 0 (+1, +0) mm

If the difference is not as specified, adjust using the following procedure.



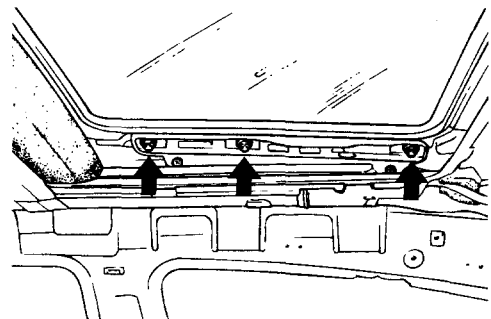
ESA9011J

1. Loosen the front screw and rear screw. Adjust the height between the glass panel and roof panel.



ESA9011I

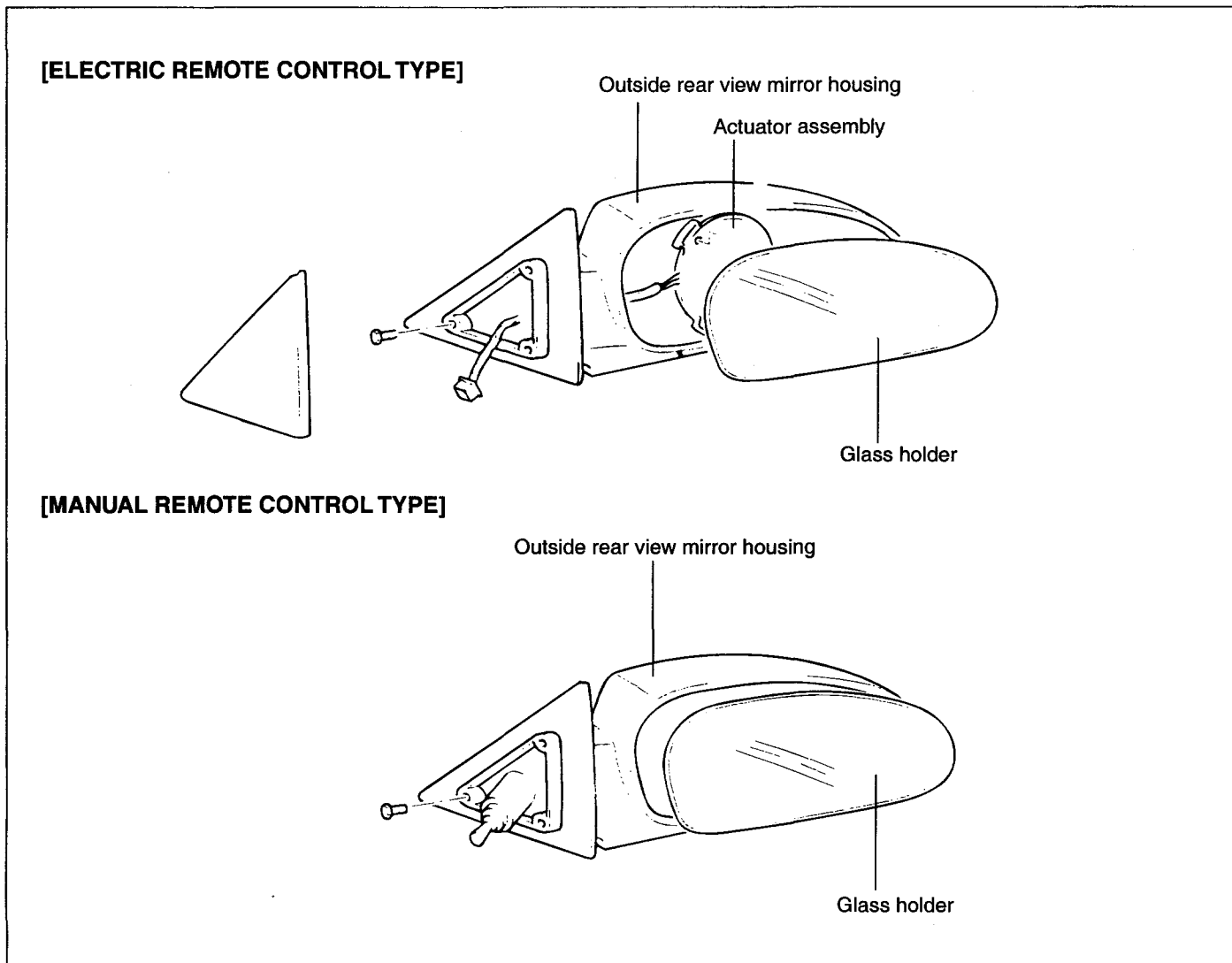
2. Loosen the nuts holding the glass panel and adjust the gap between the glass panel and roof panel.



ESA9011K

# OUTSIDE REAR VIEW MIRROR

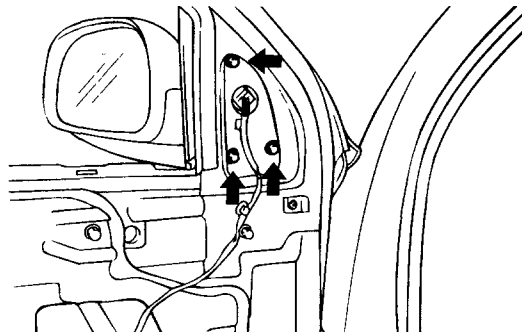
## COMPONENTS ESJA0950



ESA9030A

## REMOVAL AND INSTALLATION ESMB0800

Remove the 3 bolts holding outside rear view mirror and disconnect the wire connector.

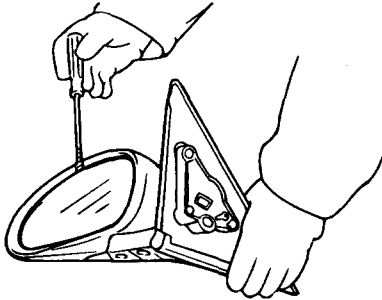


ESJA060L

**DISASSEMBLY** ESMB0850**⚠ CAUTION**

***Wear gloves to remove and install the mirror holder.***

1. Insert flat bladed screwdriver between the outside rear view mirror holder and the mirror assembly.

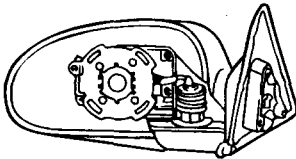


ESA9030B

**⚠ CAUTION**

***When prying with a flat bladed screwdriver, wrap it with a shop towel to prevent damage.***

2. Remove the outside rear view mirror actuator from the outside rear view mirror housing.



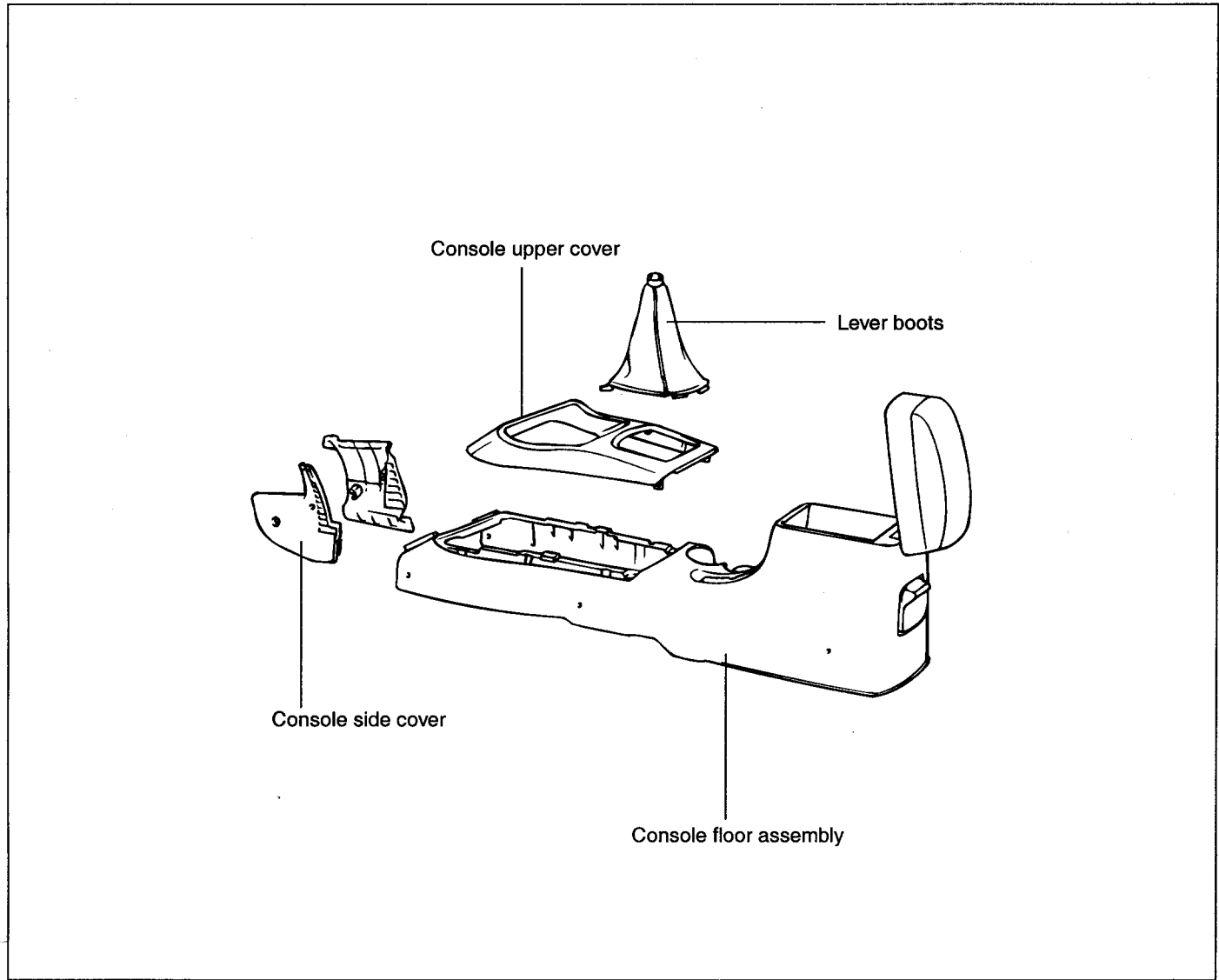
ESA9030C

3. Installation is the reverse of removal.

# INTERIOR

## CONSOLE

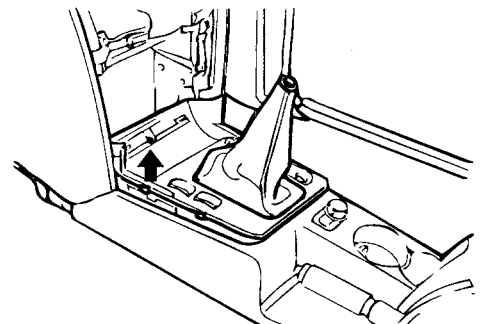
### COMPONENTS ESKA0450



ESKA020D

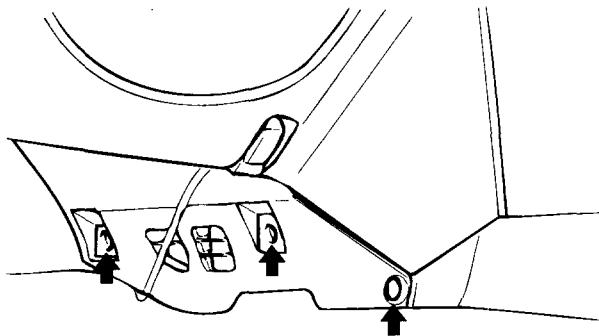
### REMOVAL AND INSTALLATION ESMB0900

1. Remove the screw holding floor console upper cover and then pry the floor console upper cover loose with a flat-bladed screw driver.



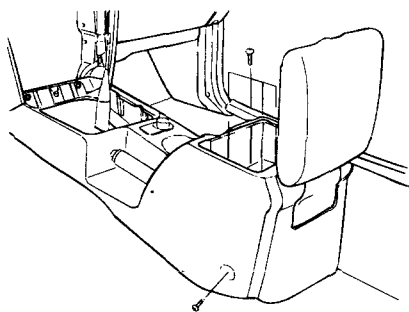
KSMB008N

2. Remove the console side cover.



KSMB008O

3. Remove the screws holding the floor console assembly and then pull the floor console out.



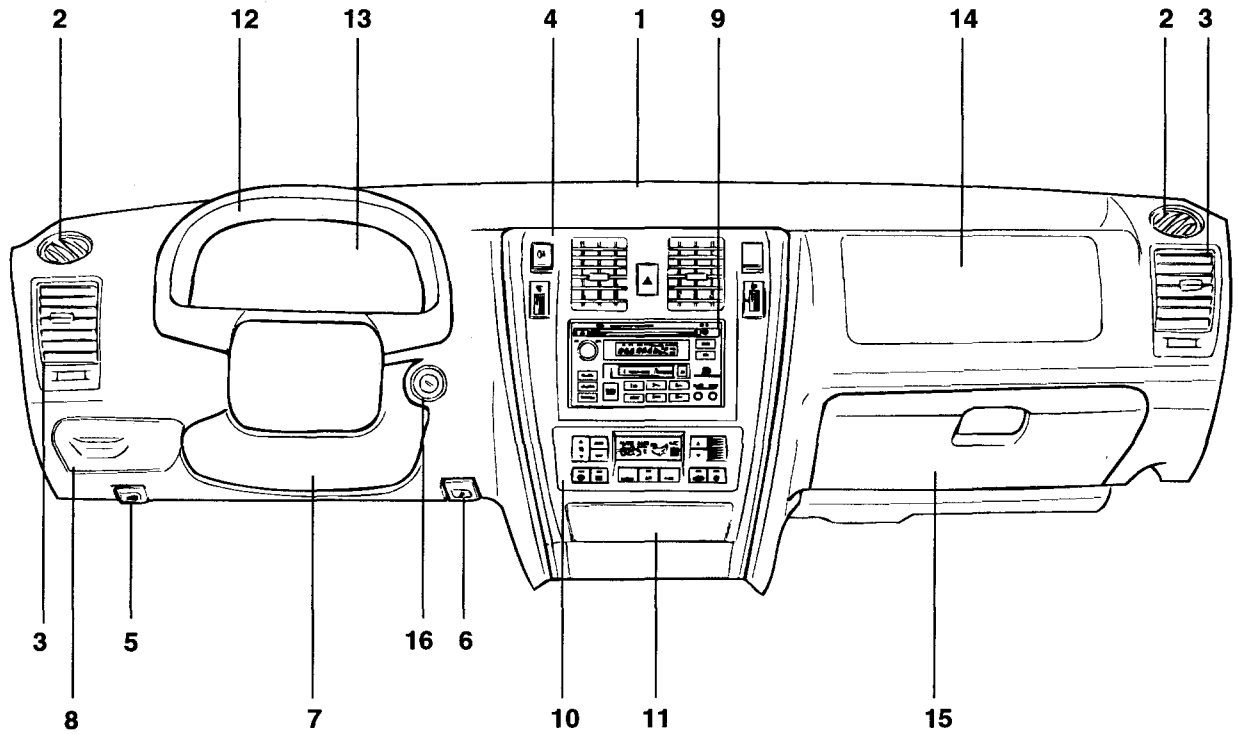
KSMB008P

4. Installation is the reverse of removal.



CRASH PAD

COMPONENTS ESMB0950



- 1. Crash pad assembly
- 2. Side defroster garnish
- 3. Side air vent
- 4. Center facia panel
- 5. Hood release handle
- 6. Fuel filler door release handle
- 7. Steering column under cover
- 8. Tray

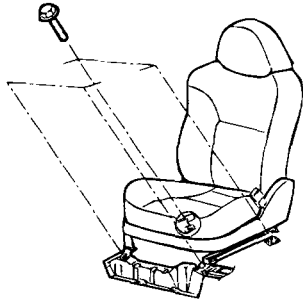
- 9. Audio unit
- 10. Heater control unit
- 11. Ash tray
- 12. Cluster housing
- 13. Cluster
- 14. Passenger side airbag
- 15. Glove box
- 16. Key cylinder

## REMOVAL AND INSTALLATION ESMB1000

1. Disconnect the negative (-) battery terminal.
2. Disconnect the wire connectors from the front seats and then remove the front seats.

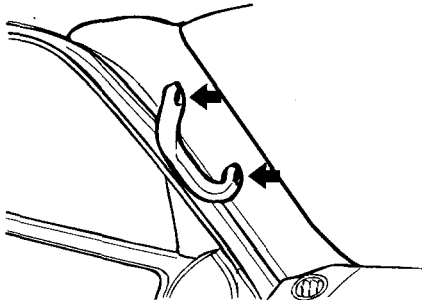
**CAUTION**

**Take care not to scratch the trim when removing the front seats.**



KSMB008G

3. Pry loose the front pillar trim after removing the assist grip.

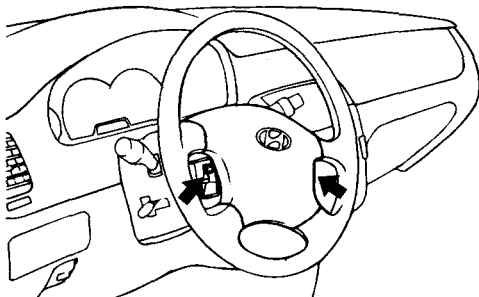


KSMB008H

4. Remove the air bag module.

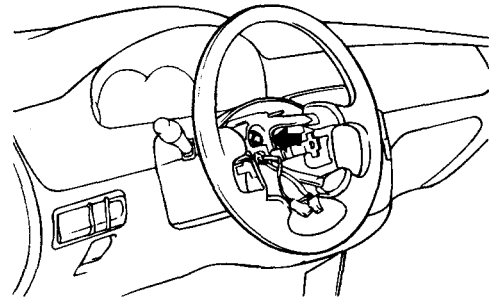
**CAUTION**

**For instructions on the removal of the air bag module and clock spring, refer to RT group.**



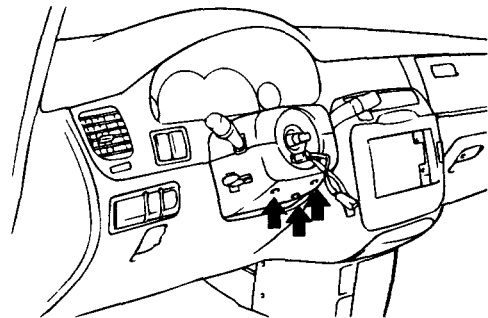
ESHA040M

5. Remove the steering wheel.



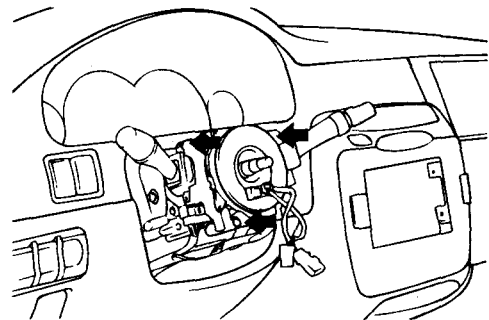
ESHA040N

6. Remove the 3 screws holding the steering column lower shroud and then remove the steering column lower and upper shroud.



ESHA040O

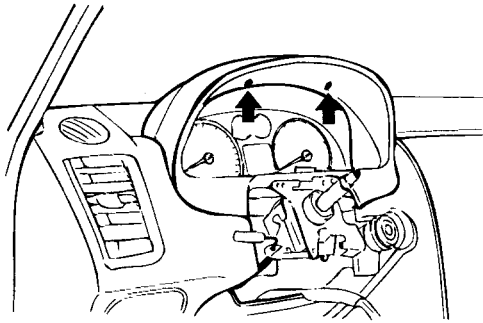
7. Disconnect the wire connectors and remove the multifunction switch (3 screws).



ESHA040P

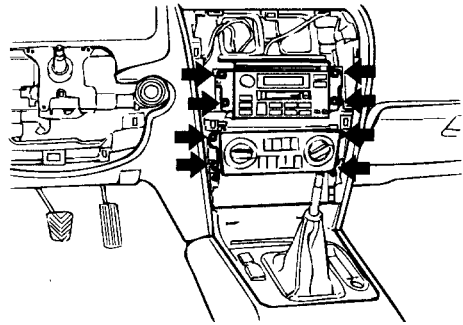
8. Remove the steering column under cover.

9. Remove the cluster housing (2 screws).



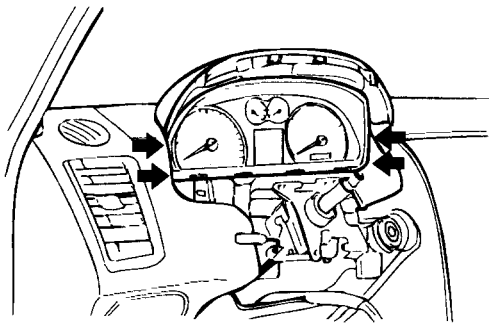
KSMB008I

13. Remove the audio unit (4 screws) and heater control unit (4 screws).



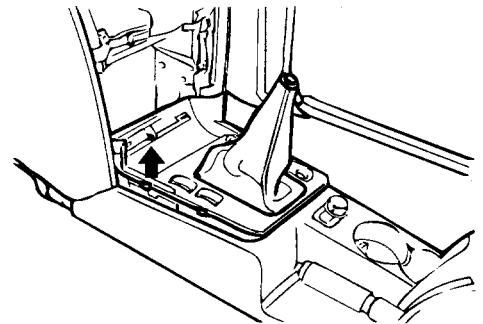
KSMB008M

10. Remove the instrument cluster (4 screws).



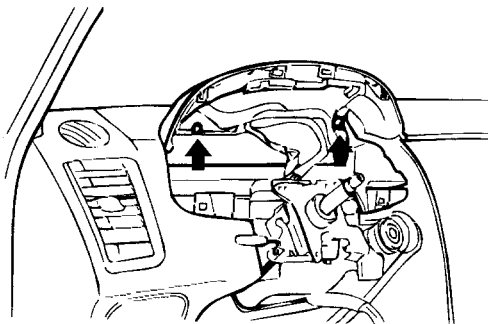
KSMB008J

14. Remove the floor console upper cover (1 screw).



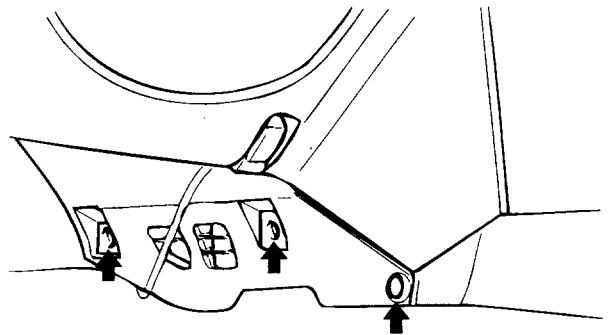
KSMB008N

11. Remove the cluster upper cover (2 screws).



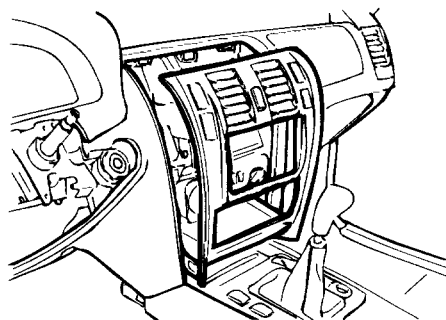
KSMB008K

15. Remove the console side cover.



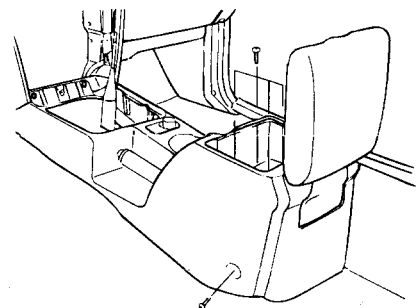
KSMB008O

12. Pry the center facia panel loose and disconnect the wire connectors.



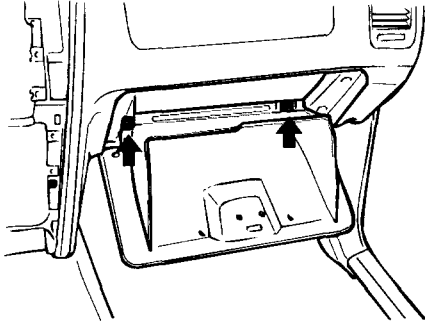
KSMB008L

16. Remove the screws holding floor console assembly and pull the floor console out.

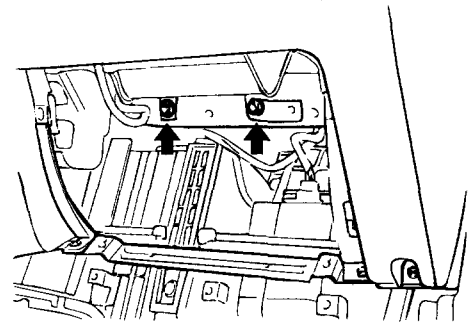


KSMB008P

17. Remove the glove box (2 bolts).

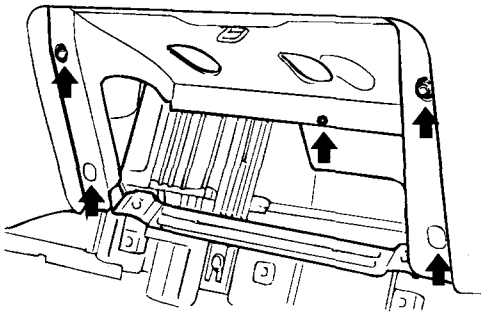


KSMB008Q



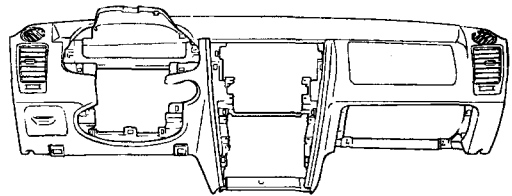
KSMB008U

18. Remove the glove box upper cover (5 bolts).



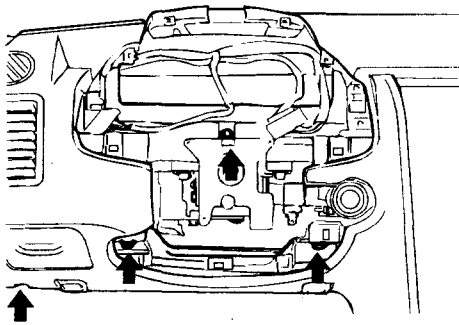
KSMB008R

20. Disconnect the hood release cable and fuel filler door release cable. Remove the main crash pad and disconnect the wire connectors.



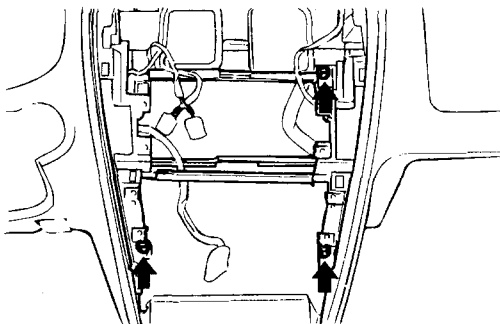
KSMB008V

19. Remove the bolts holding main crash pad.



KSMB008S

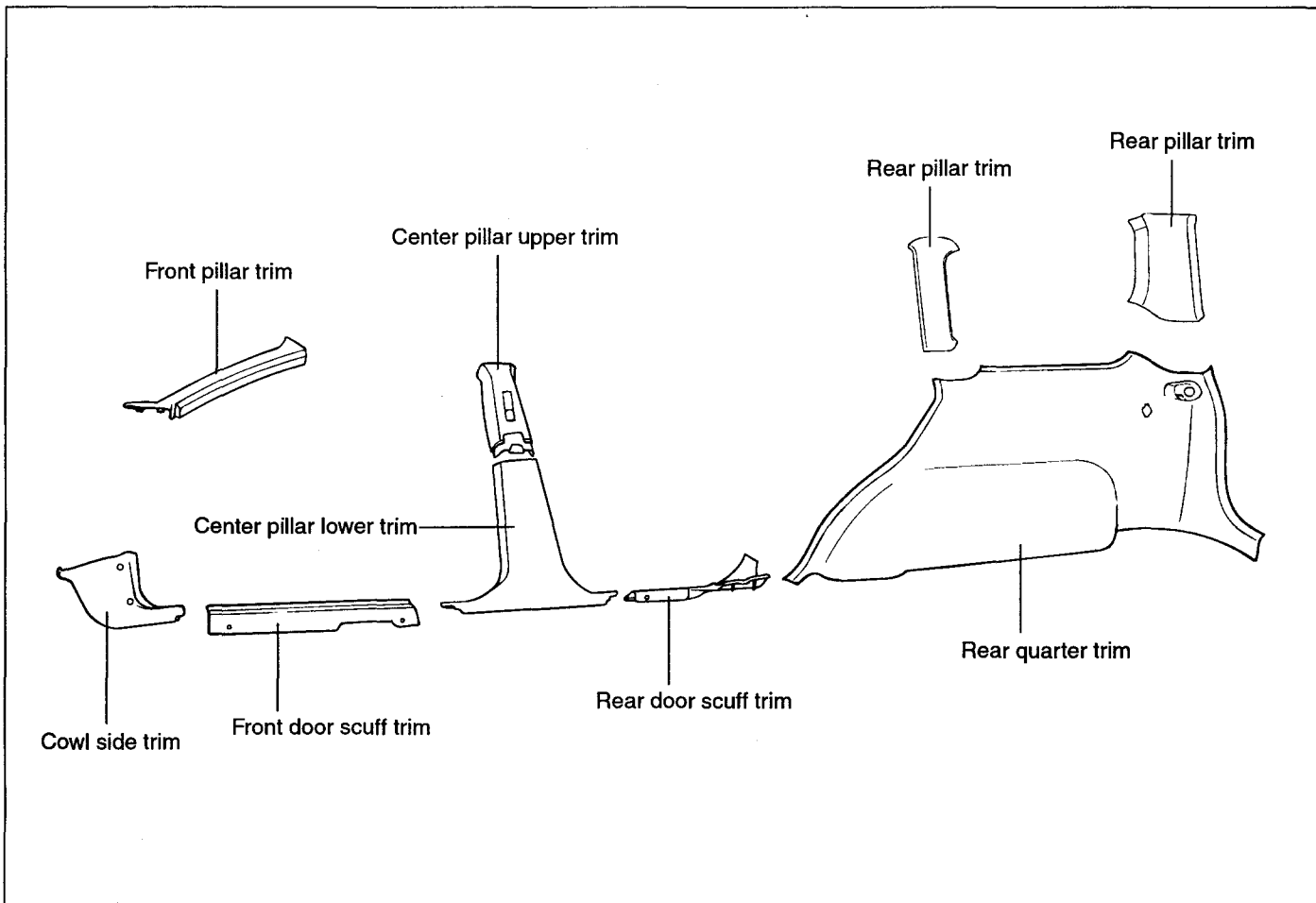
21. Installation is the reverse of removal. Connect all wire connectors securely.



KSMB008T

# INTERIOR TRIM

## COMPONENTS ESMB1050

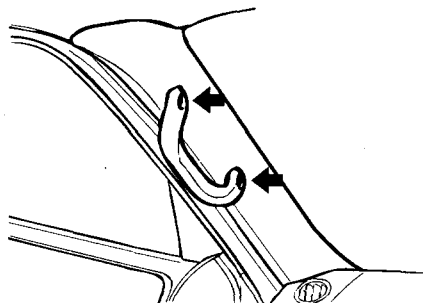


ESMB105A

## REMOVAL ESMB1100

### FRONT PILLAR TRIM

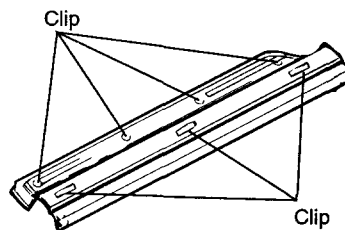
Pry the front pillar trim loose with a screwdriver after removing the assist grip.



KSMB008H

### FRONT DOOR SCUFF TRIM

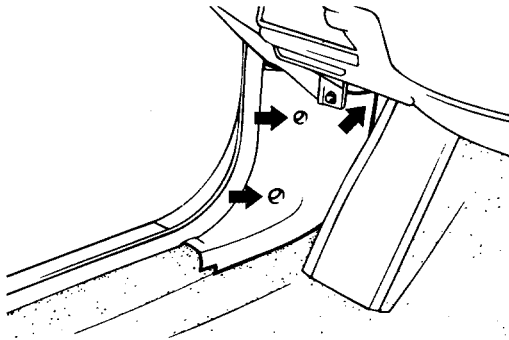
Pry the front door scuff trim loose with a screwdriver.



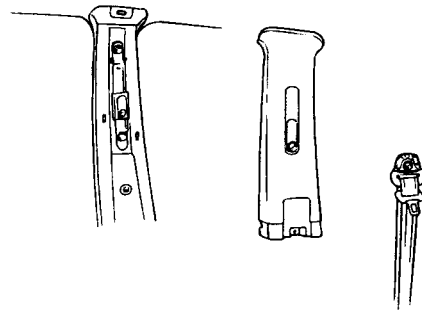
ESMB110A

**COWL SIDE TRIM**

Remove the screws and nut holding the cowl side trim and remove it.



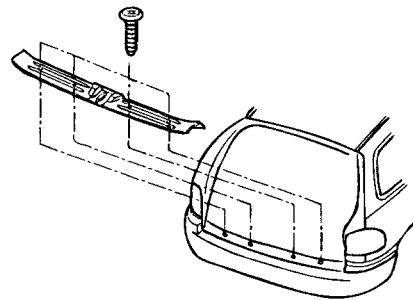
ESKA045C



ESHA045B

**REAR TRANSVERSE TRIM**

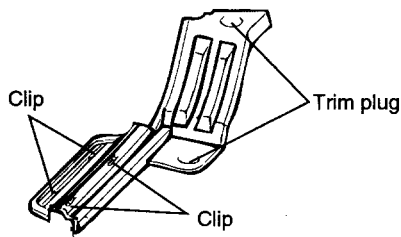
Remove the 4 screws holding the rear transverse trim and remove the trim.



KSMB011F

**REAR DOOR SCUFF TRIM**

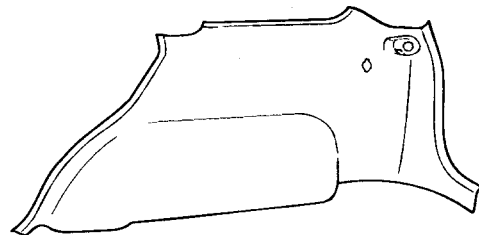
1. Remove the 2 screws holding the rear door scuff trim after removing trim plug.
2. Remove the rear door scuff trim.



ESMB110B

**QUARTER TRIM**

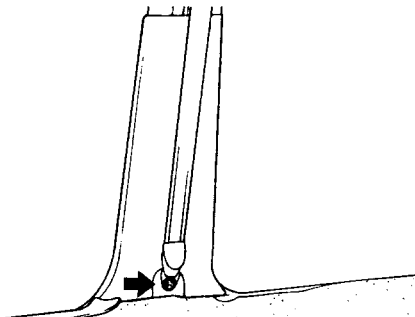
Remove the bolt holding the rear seat belt lower anchor and remove the screws holding the quarter trim.



KSMB011C

**CENTER PILLAR TRIM**

1. Remove the bolt holding the seat belt lower anchor and pry loose the center pillar lower trim.

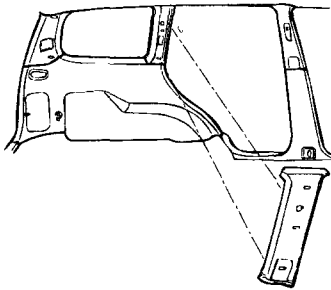


ESHA040I

2. Remove the bolt holding the seat belt upper anchor and pry loose the center pillar upper trim.

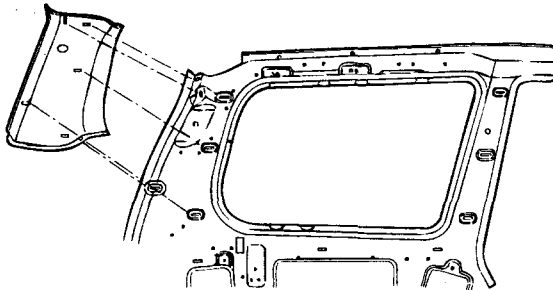
**REAR PILLAR TRIM**

1. Pry the rear pillar (C pillar) trim loose with a screwdriver.



KSMB011I

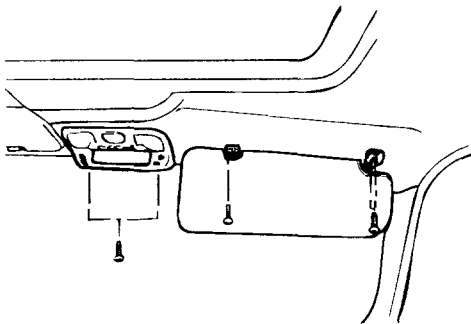
2. Pry the rear pillar (D pillar) trim loose with a screwdriver.



KSMB011H

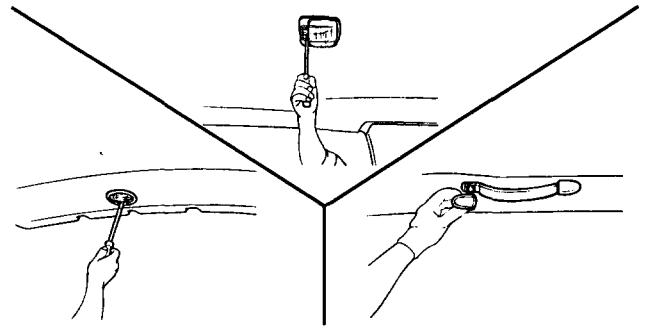
**HEADLINER**

1. To remove the headliner, first remove the following parts :
  - Overhead console and sunvisor.



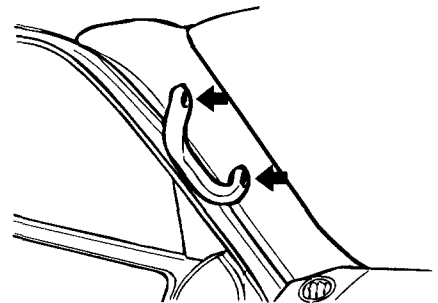
KSMB011J

- Room lamp, luggage lamp and assist grip.

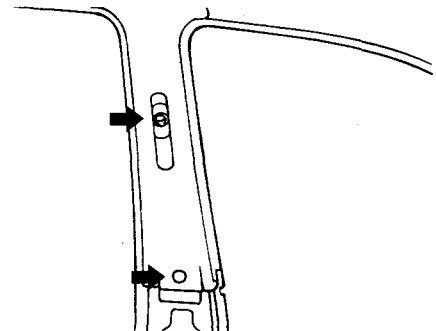


ESHA045H

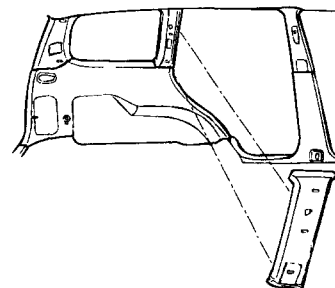
2. Remove front pillar trim, center pillar upper trim and rear pillar trim.



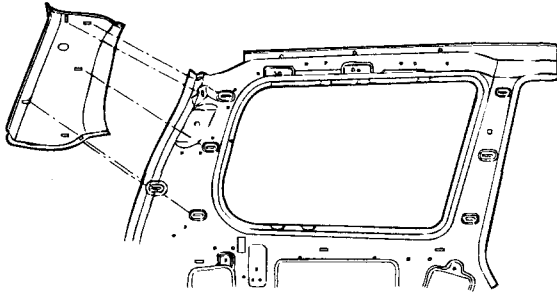
KSMB008H



ESKA045E

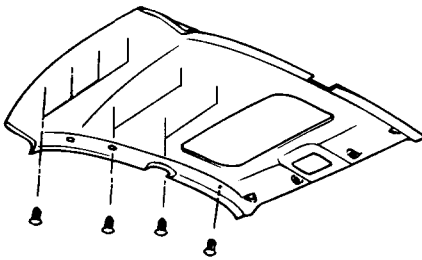


KSMB011I



KSMB011H

3. Remove the headliner after removing the clip holding the headliner.



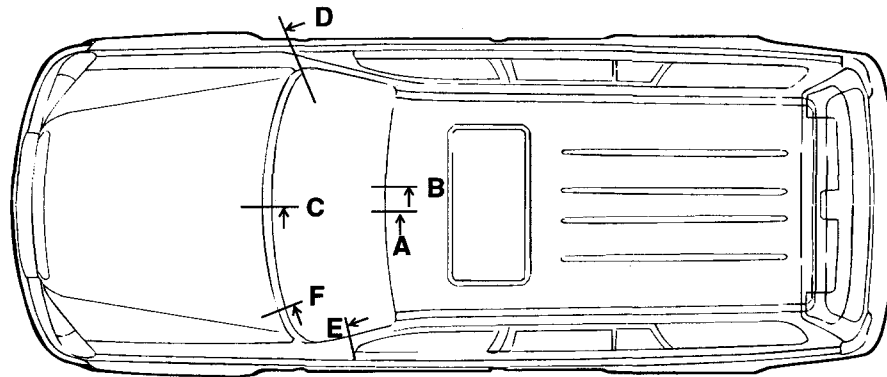
KSMB115B

4. Installation is the reverse of removal.



# WINDSHIELD GLASS

## COMPONENTS ESMB1150

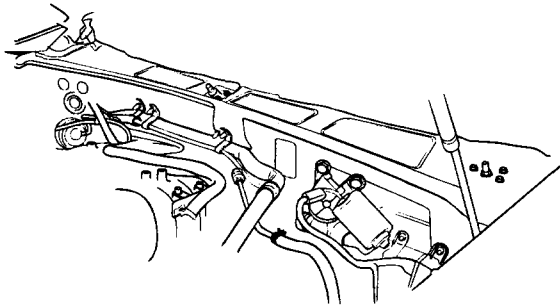


Unit : mm

<p>Roof panel Molding Sealant Dam 12 18.2 Inside mirror</p> <p><b>SECT. A-A</b></p>	<p>Glass Coupler Rain sensor</p> <p><b>SECT. B-B</b></p>	<p>Wiper arm &amp; blade Hood outer panel 12</p> <p><b>SECT. C-C</b></p>
<p>Fender panel Molding Glass Cowl top cover</p> <p><b>SECT. D-D</b></p>	<p>Dam Sealant 12 18</p> <p><b>SECT. E-E</b></p>	<p>Glass Spacer 8 12 12</p> <p><b>SECT. F-F</b></p>

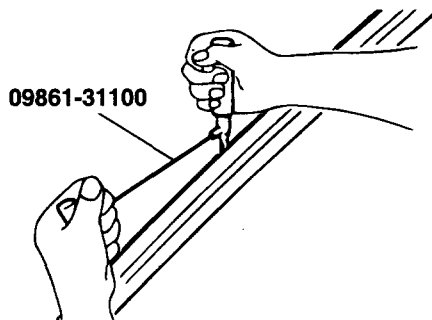
**REMOVAL** ESMB1200

1. To remove the windshield, first remove the following parts :
  - 1) Front pillar trims
  - 2) Inside rear view mirror
  - 3) Wiper arms
  - 4) Cowl top cover
  - 5) Windshield glass molding



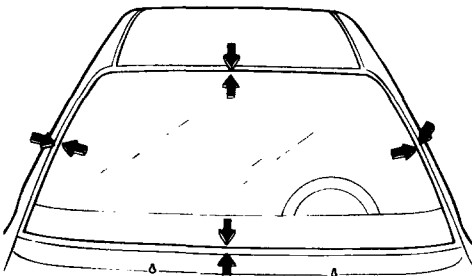
KTMB802R

2. Use the special tool (09861-31100) to cut through the sealant.



ESDA230B

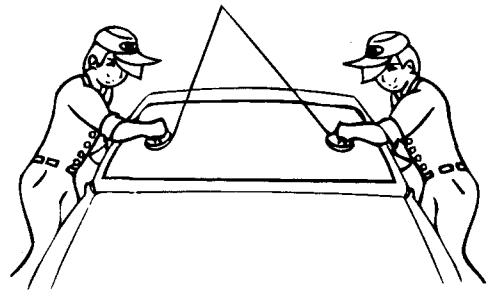
3. Make mating marks on the glass and body if the glass is to be reinstalled.



KSHA125A

4. Take out the windshield glass with the special tool using the Glass Holder.

09861-31400



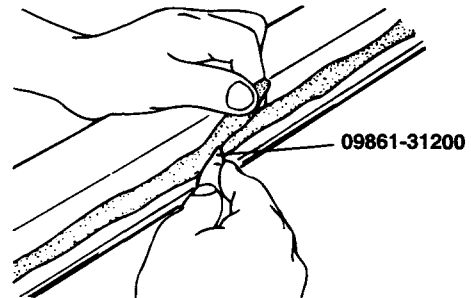
ESDA230D

**INSTALLATION** ESMB1250

1. Using a cutter knife or the special tool, scrape the old sealant smoothly to a thickness of about 2 mm (0.08 in.) on the bonding surface around the entire windshield flange.

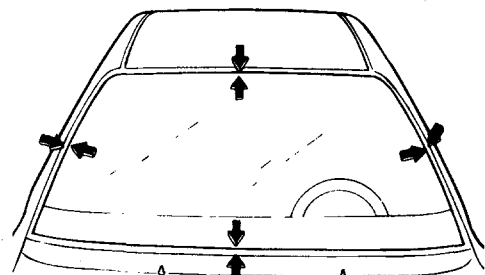
**CAUTION**

*Be careful not to remove more adhesive than necessary, and also not to damage the paintwork on the body surface with the knife. If the paintwork is damaged, repair the damaged area with touch-up paint.*



ESDA235B

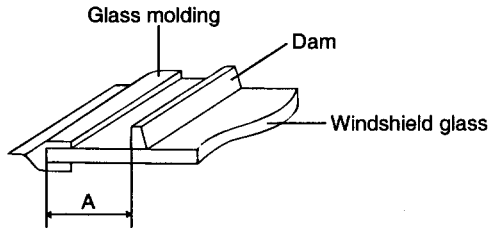
2. Clean the body bonding surface with a sponge dampened in alcohol or wax and grease remover.
3. Center a new windshield glass in the opening. Mark the location by marking lines across the glass and body with a grease pencil at the four points as shown.



KSHA125A

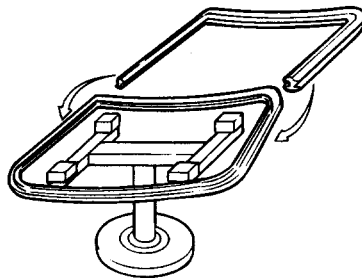
4. Glue the rubber dam to the inside surface of the windshield glass around the entire edge as shown, to contain the sealant during installation.

Part	"A"	Remarks
Upper	13.2mm	Glass molding sub
Side	13mm	



ESHA050E

5. Install the windshield glass molding without any gaps.

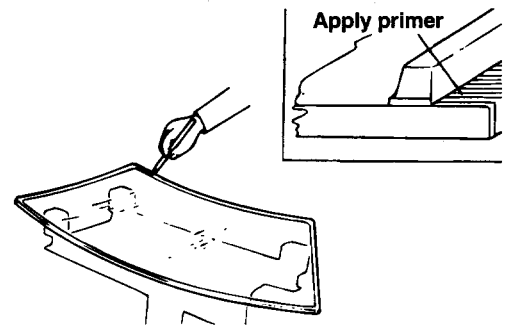


KSHA130B

6. Apply a light coat of glass primer to the outside of the dam.

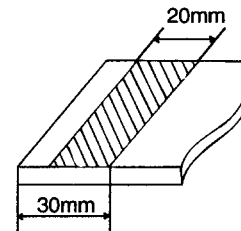
**NOTE**

1. Never touch the surface applied primer with your hand. If you do, the adhesive may not bond to the glass properly, causing a leak after the windshield glass is installed.
2. Do not apply body primer to the glass.
3. Keep water, dust, and abrasive materials away from the surface applied primer.



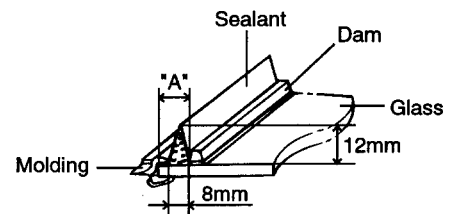
ESDA235E

7. Apply a primer to the lower glass as shown.



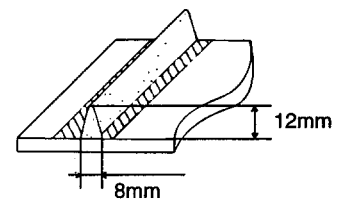
ESHA050F

8. Apply a sealant around the edge of the glass.



**UPPER AND SIDE**

ESMB126A



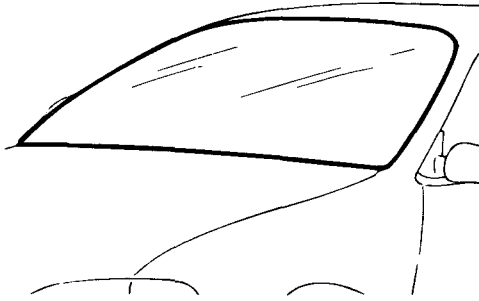
**LOWER**

ESMB126B

**NOTE**

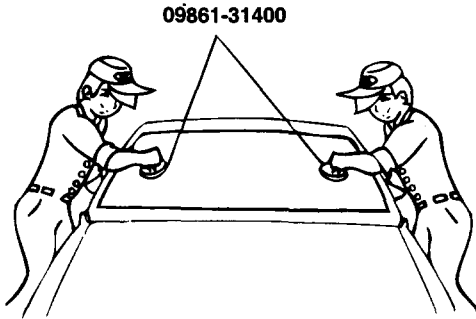
Apply the adhesive within 5 minutes after applying the primer to the glass.

9. Apply a light coat of body primer to the original sealant remaining around the window opening flange. The glass should be installed within 5 minutes after you apply the primer.



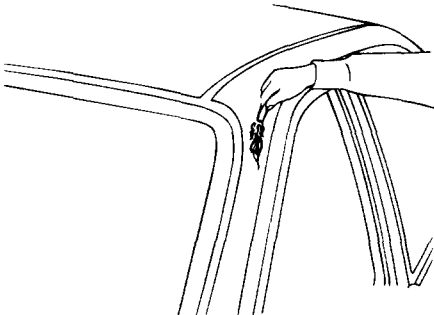
ESDA235F

10. Using suction cups or the special tool, lower the glass over the opening, align it with the marks made in step 3 and set it down on the sealant.
11. Scrape or wipe excess adhesive off with a putty knife or gauze. Fill all cavities around the windshield glass.



ESDA230D

12. Perform a water-leak test for the windshield. Use a cold water spray, being careful not to direct a powerful stream of water on the new adhesive material. Allow water to spill over the edges of the glass.
13. If there are leaks, dry the affected area, then apply sealant.



ESDA235G

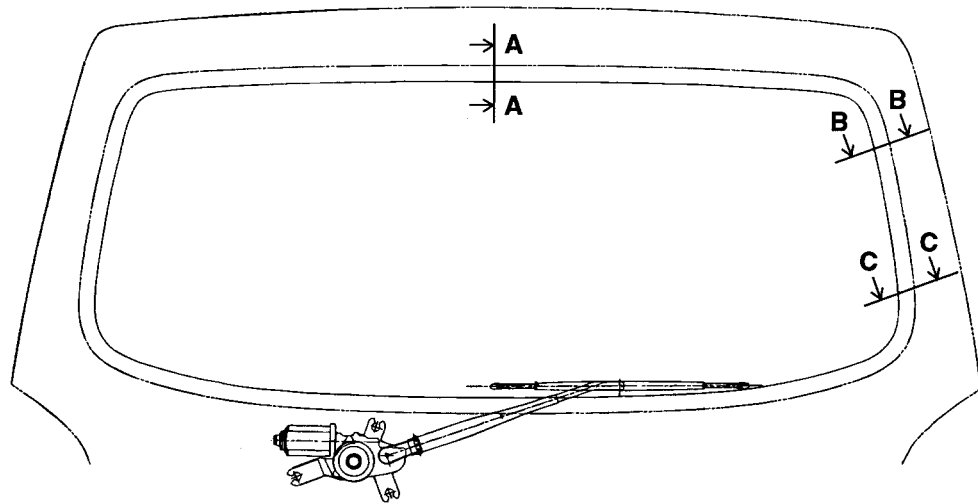
14. Install the removed parts.

**⚠ CAUTION**

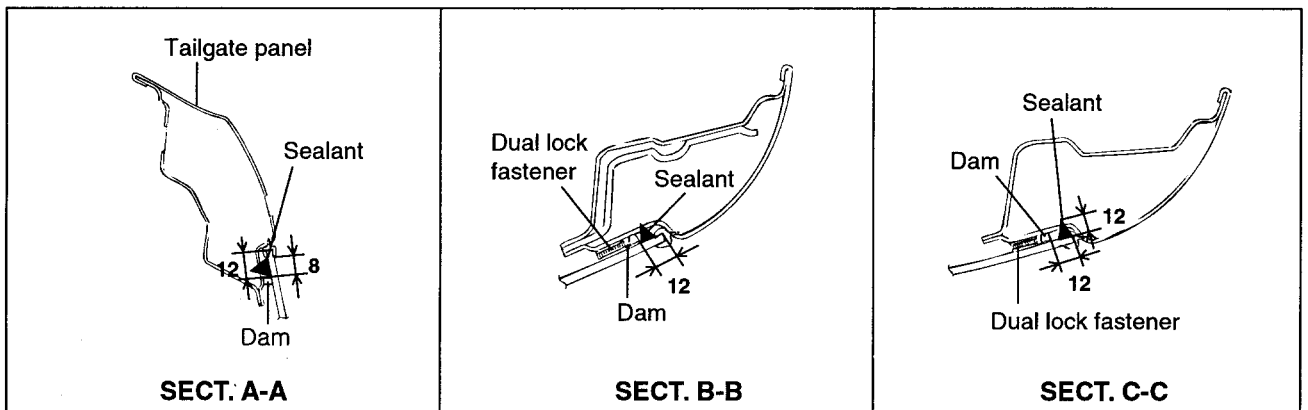
1. **Keep the windshield dry for the first hour after installation.**
2. **Let the car stand for at least four hours after windshield installation. If the car has to be used within the first 8 hours, it must be driven slowly.**
3. **Take care not to slam the doors with all the windows rolled up.**
4. **Take care not to twist the vehicle excessively (such as when going in and out of driveways at an angle or driving over rough, uneven roads).**

# TAILGATE GLASS

## COMPONENTS ESMB1300



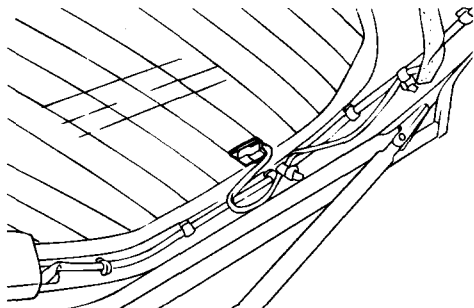
Unit : mm



**REMOVAL** ESMB1350

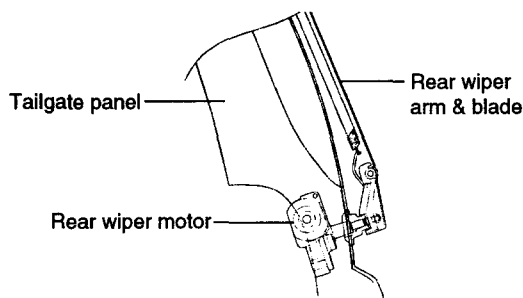
1. To remove the tailgate glass, first remove the following parts :

- 1) Rear window defogger wire connector.



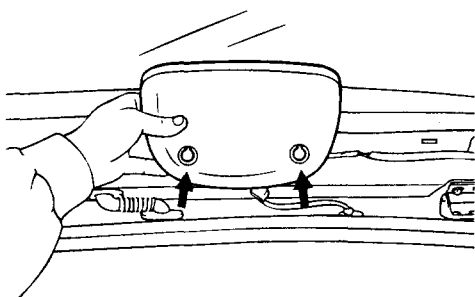
KSMB135A

- 2) Tailgate trims.
- 3) Rear wiper and wiper motor.



ETMB008D

- 4) High mounted stop lamp.



ESJA040N

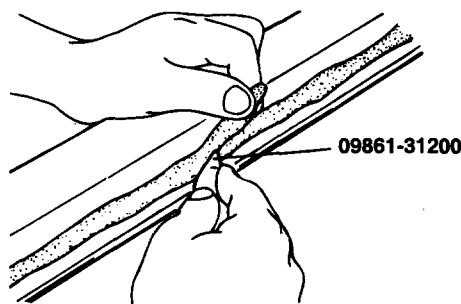
2. Remove the tailgate glass in the same manner as the windshield glass.

**INSTALLATION** ESMB1400

1. Using a cutter knife or the special tool (09861-31200), scrape the old sealant smoothly to a thickness of about 2 mm (0.08 in.) on the bonding surface around the entire tailgate glass.

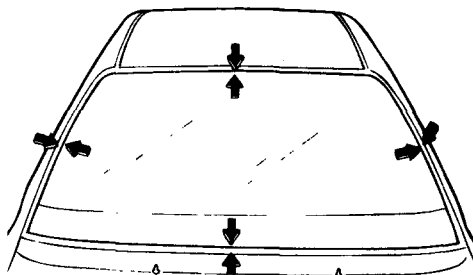
**CAUTION**

*Be careful not to remove more adhesive than necessary, and also not to damage the paintwork on the body surface with the knife. If the paintwork is damaged, repair the damaged area with touch-up paint.*



ESDA235B

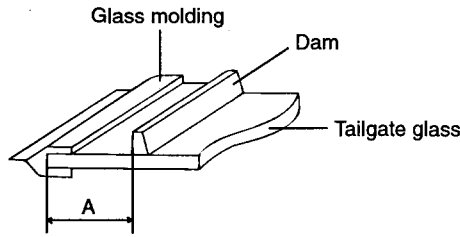
2. Clean the body bonding surface with a sponge dampened in alcohol or wax and grease remover.
3. Center a new tailgate glass in the opening. Mark the location by marking lines across the glass and body with a grease pencil at the four points as shown.



ESHA150B

4. Glue the rubber dam to the inside surface of the tailgate glass around the entire edge as shown, to contain the sealant during installation.

Part	A	Remarks
Upper	12mm	Glass molding sub
Side		
Lower		

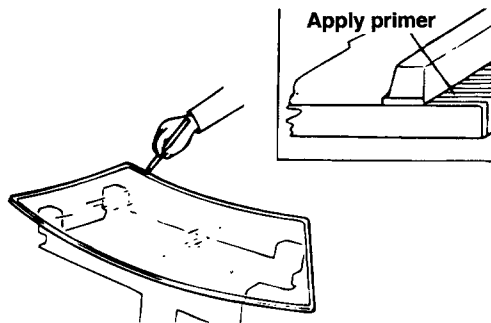


ETMB833A

5. Install the tailgate glass molding without any gaps.
6. Apply a light coat of glass primer to the outside of the dam.

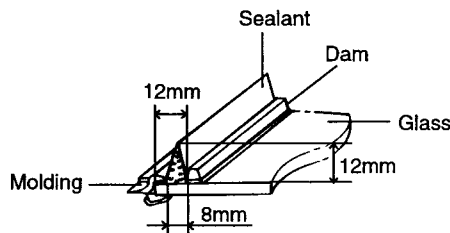
**NOTE**

1. *Never touch the surface applied primer with your hands. If you do, the adhesive may not bond to the glass properly, causing a leak after the tailgate glass has been installed.*
2. *Do not apply body primer to the glass.*
3. *Keep water, dust, and abrasive materials away from the surface applied primer.*



ESDA235E

7. Apply a sealant around the edge of the glass.

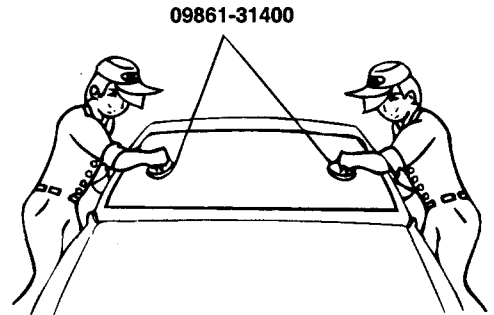


ESMB135B

**NOTE**

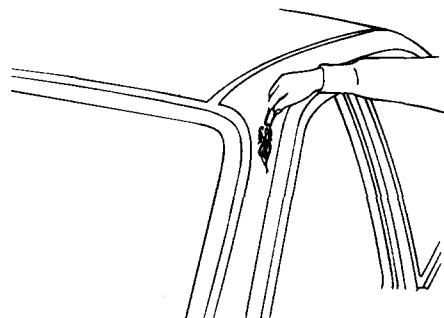
*Apply the adhesive within 5 minutes after applying the primer to the glass.*

8. Apply a light coat of body primer to the original sealant remaining around the window opening flange. The glass should be installed within 5 minutes after you apply the primer.
9. Use suction cups or the special tool, lower the glass over the opening, align it with the marks made in step 3 and set it down on the sealant.



ESDA230D

10. Scrape or wipe excess adhesive off with putty knife or gauze. Fill all cavities around the tailgate glass.
11. Perform a water-leak test for the tailgate glass. Use a cold water spray, being careful not to direct a powerful stream of water on the new adhesive material. Allow water to spill over the edges of the glass.
12. If there are leaks, dry the affected area, then apply sealant.



ESDA235G

13. Install the removed parts.

**CAUTION**

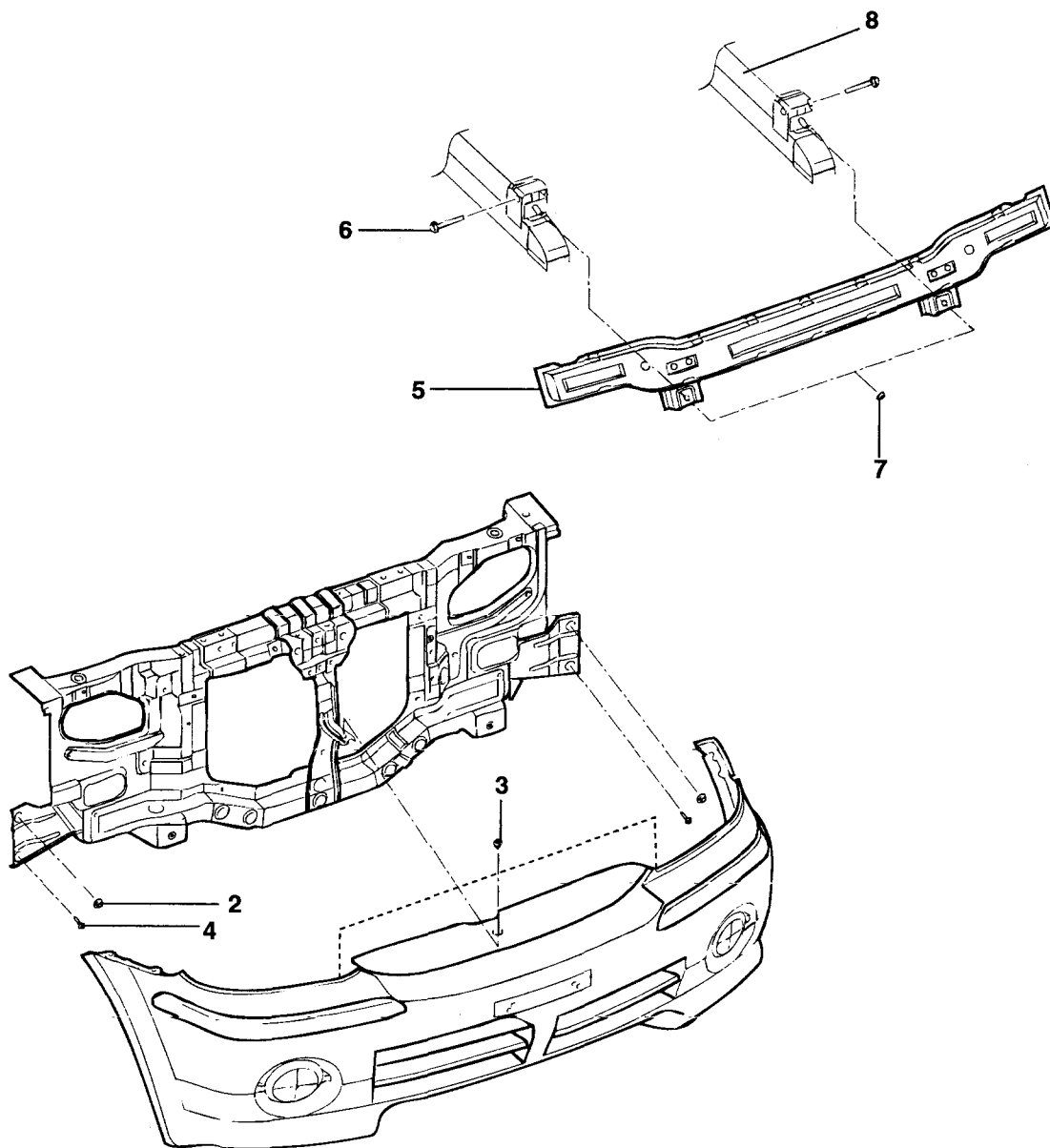
1. **Keep the tailgate glass dry for the first hour after installation.**
2. **Let the car stand for at least four hours after tailgate glass installation. If the car has to be used within the first 8 hours, it must be driven slowly.**
3. **Take care not to slam the doors with all the windows rolled up.**

4. *Take care not to twist the vehicle excessively (such as when going in and out of driveways at an angle or driving over rough, uneven roads).*



## BUMPER

## FRONT BUMPER

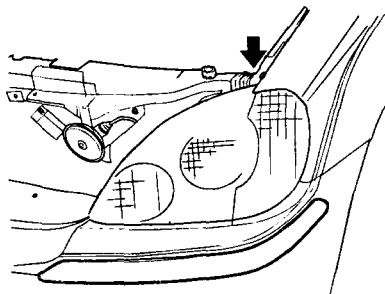
COMPONENTS ESMB1450

1. Front bumper cover
2. Flange nut
3. Retainer
4. Bolt

5. Front bumper beam
6. Bolt
7. Flange nut
8. Chassis frame

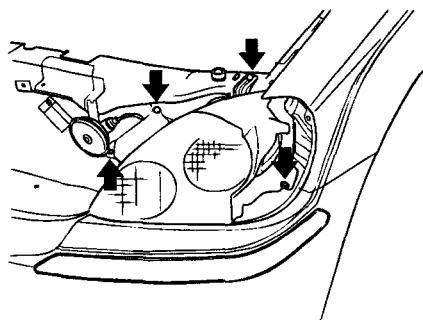
**REMOVAL AND INSTALLATION** ESMB1500

1. Remove the screw holding the turn signal lamp and disconnect the wire connector.



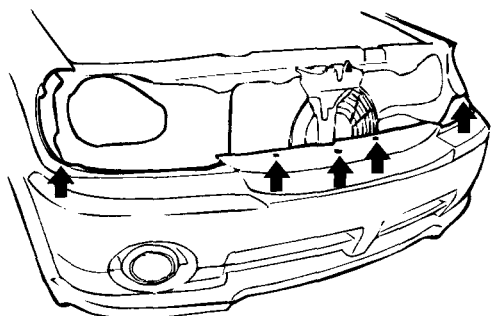
KTMB007E

2. Remove the 4 bolts holding the head lamp and disconnect the wire connectors.



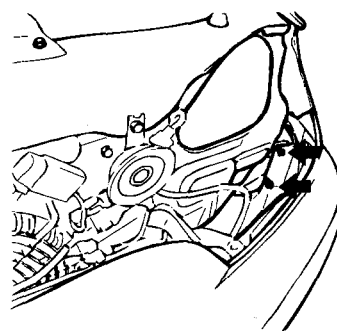
KTMB007F

3. Remove the 3 screws and 2 nuts holding the front bumper upper cover.



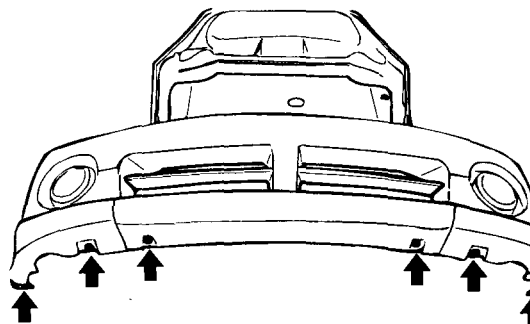
KSMB008A

4. Remove the bolt and nut holding the bumper cover bracket.



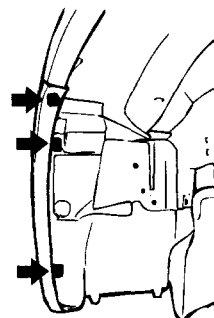
KSMB008B

5. Raise the vehicle then remove the 4 bolts and 2 screws holding the front bumper lower cover.



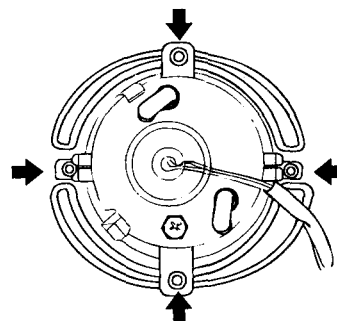
KSMB008C

6. Remove the screws holding the front wheel guard.



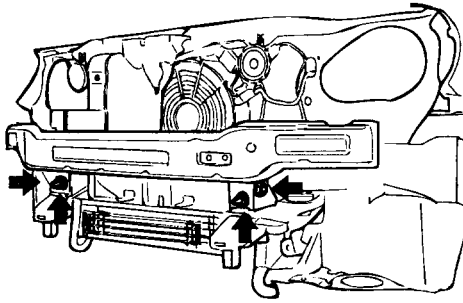
KSMB008D

7. Remove the front fog lamp after removing the front bumper cover.



KTMB007A

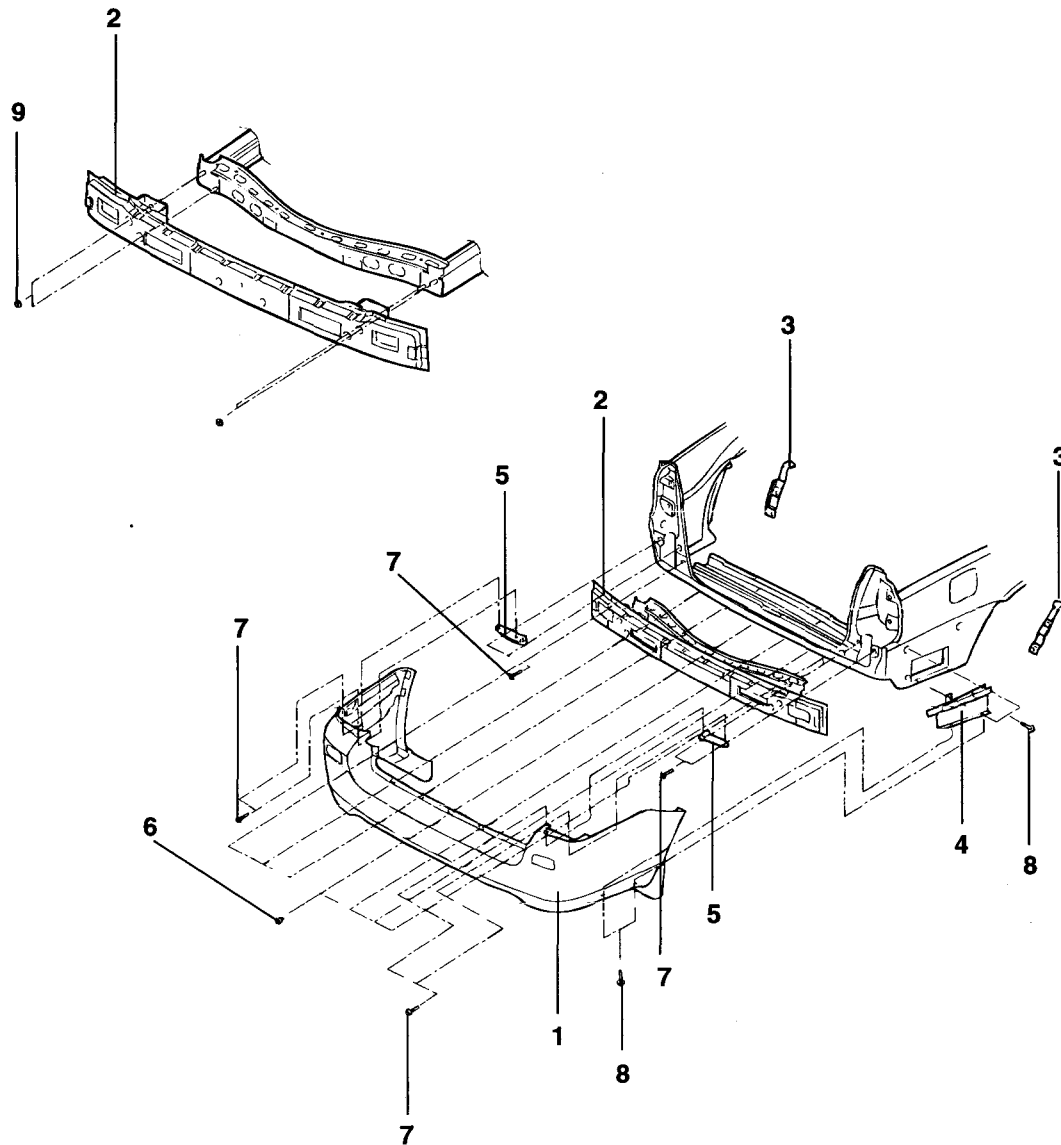
8. Remove the front bumper beam after removing the 2 bolts and 2 nuts.



KSMB008E

9. Installation is the reverse of removal.

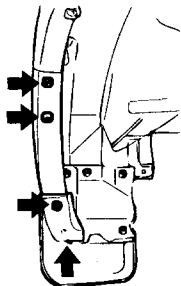
## REAR BUMPER

COMPONENTS ESMB1550

- |                            |                  |
|----------------------------|------------------|
| 1. Rear bumper cover       | 6. Retainer      |
| 2. Rear bumper beam        | 7. Bolt          |
| 3. Side bracket            | 8. Tapping screw |
| 4. Rear bumper lower guard | 9. Nut           |
| 5. Upper bracket           |                  |

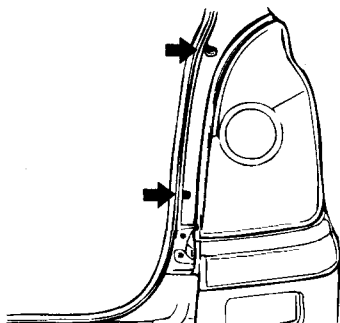
## REMOVAL AND INSTALLATION ESMB1600

1. Remove the screws and bolts holding the rear mud guard.



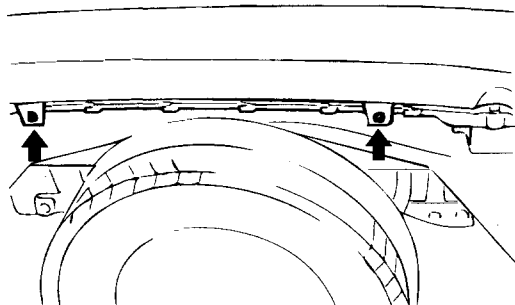
KSMB006D

2. Remove the rear combination lamp after removing the 2 bolts.



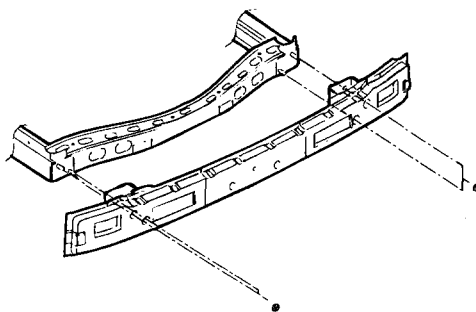
KSMB006E

3. Remove the screws and bolts holding the rear bumper upper cover.
4. Raise the vehicle then remove the screws holding the rear bumper lower cover.



KSMB006F

5. Remove the nuts holding the rear bumper beam and remove it.

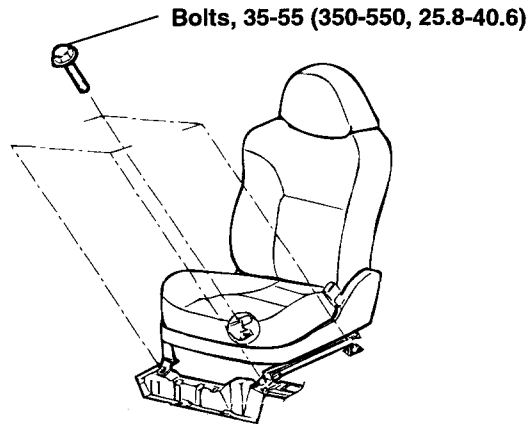


KSMB002I

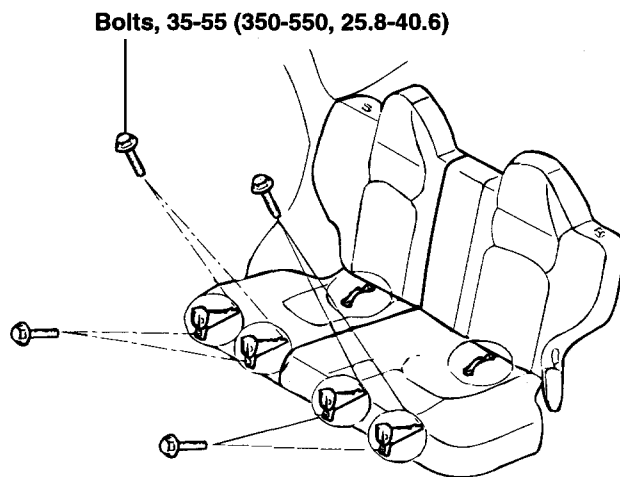
# SEAT

## COMPONENTS ESMB1650

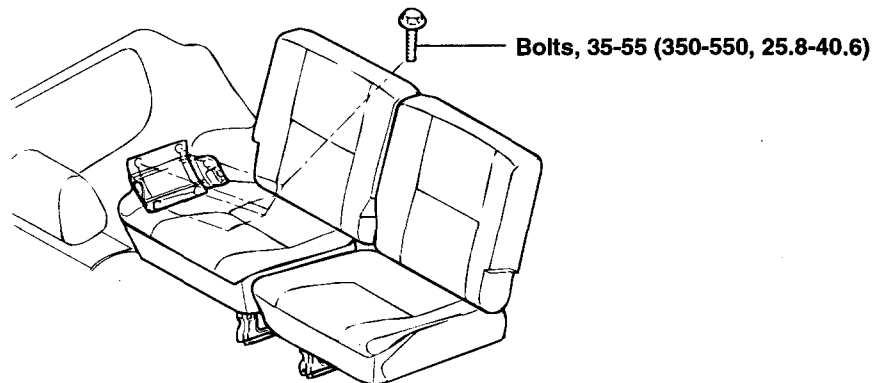
### [ FRONT SEAT ]



### [ REAR SEAT ]



### [ THIRD SEAT ]

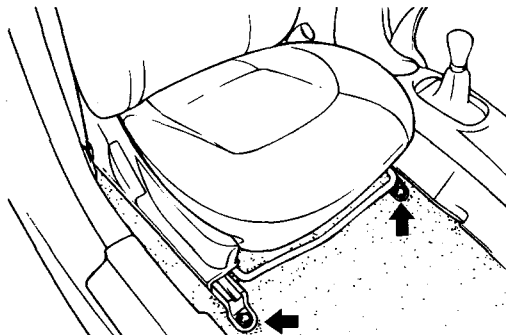


**TORQUE : Nm (kg·cm, lb·ft)**

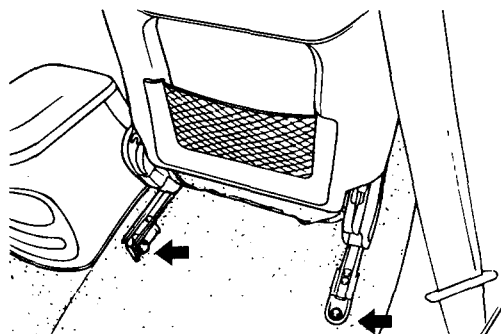
## FRONT SEAT

REMOVAL AND INSTALLATION ESMB1700

1. Remove the front seat mounting bolts (4EA), and disconnect the wire connectors. Remove the front seat assembly.



ESJA070A

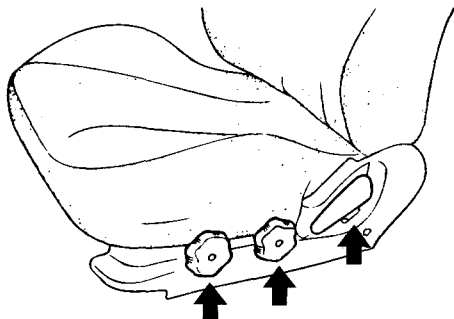


ESJA070B

## Tightening torque

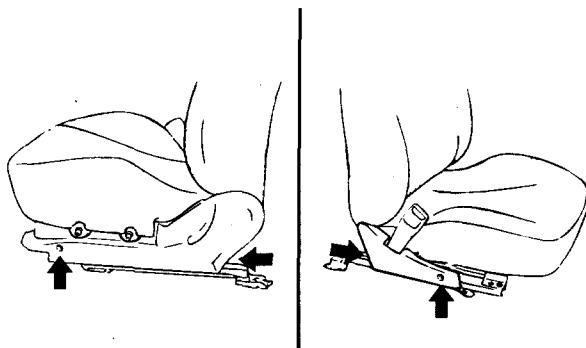
35 - 55 Nm (350 - 550 kg·cm, 25.8 - 40.6 lb·ft)

2. Remove the seat recliner lever and the height adjuster knob.



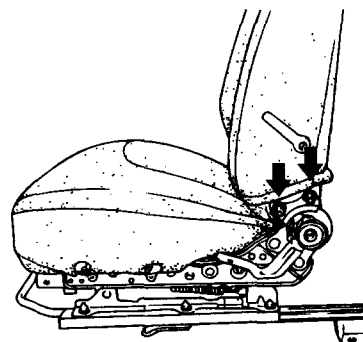
KSMB195A

3. Remove the seat shield cover.



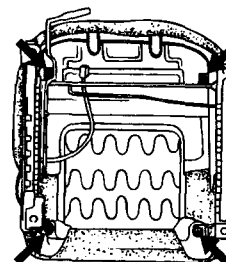
KSMB195B

4. Remove the seat back.



ESKA055F

5. Remove the front seat track.



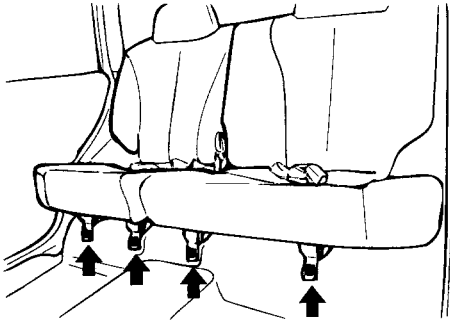
KSMB195C

6. Installation is the reverse of removal.

## REAR SEAT

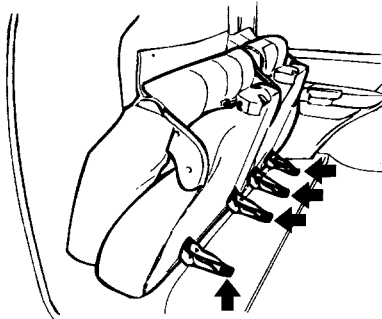
### REMOVAL AND INSTALLATION ESMB1750

1. Remove the rear seat mounting bolts (4EA).



KSMB011K

2. Remove the rear seat mounting bolts (4EA) with folding the rear seat up.  
Remove the rear seat assembly.



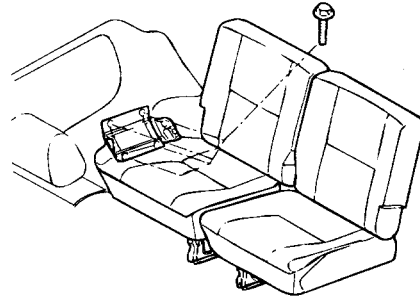
KSMB011L

#### Tightening torque

35 - 55 Nm (350 - 550 kg·cm, 25.8 - 40.6 lb·ft)

## THIRD SEAT

Remove the third seat mounting bolts and remove the third seat assembly.



KSMB011N

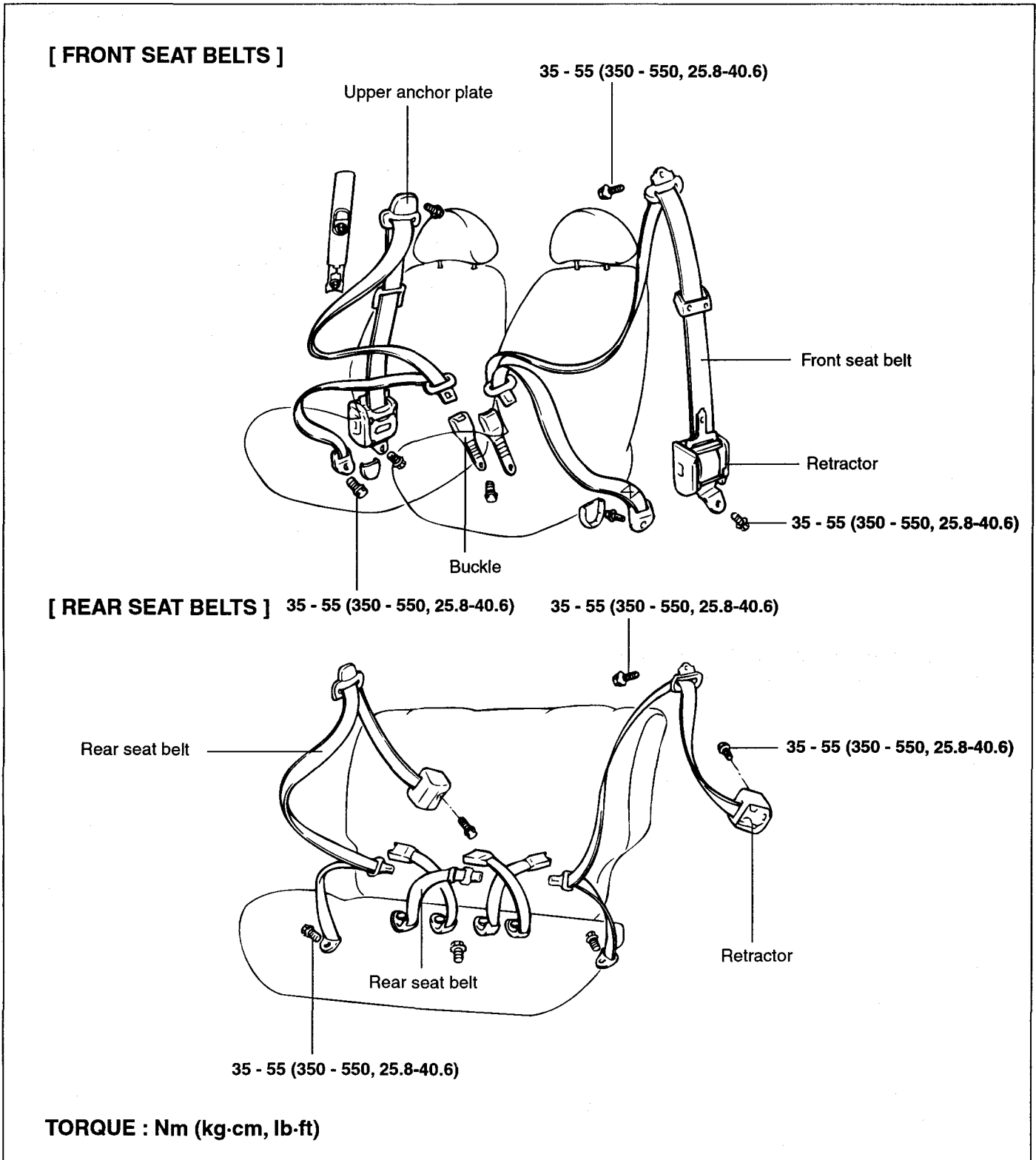
#### Tightening torque

35 - 55 Nm (350 - 550 kg·cm, 25.8 - 40.6 lb·ft)



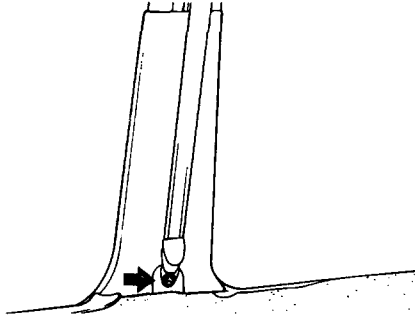
# FRONT SEAT BELT

## COMPONENTS ESMB1800



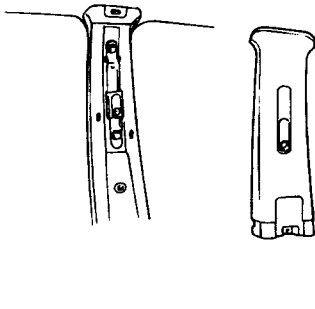
## REMOVAL AND INSTALLATION ESHA1850

1. Loosen the seat belt lower anchor bolt and remove the center pillar lower trim.



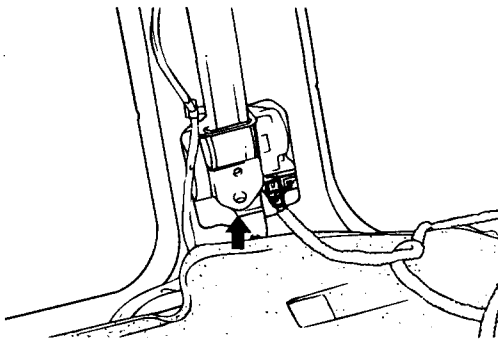
ESHA040I

2. Loosen the seat belt upper anchor bolt.



ESHA045B

3. In case of vehicles equipped with pretensioner seat belt, disconnect the negative (-) battery terminal and disconnect the connector from the gas generator and then remove the retractor.



ESHA040J

4. Installation is the reverse of removal.

### CAUTION

1. **A pretensioner functions one time only. Be sure to replace the pretensioner seat belt after it is deployed.**
2. **Do not attempt to disassemble or repair the seat belt pre-tensioner. When it malfunctions, replace with a new pre-tensioner seat belt.**

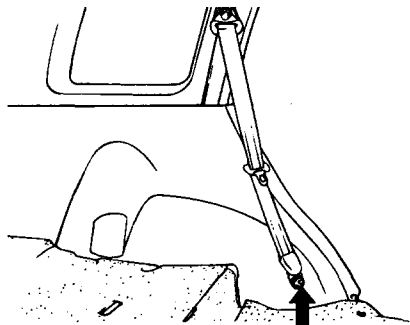
3. **Be cautious in handling a pre-tensioner seat belt, and do not drop it in water, or oil. If crushed, damaged, or deformed, replace it with a new one.**
4. **Only connect the battery after installation of the pretensioner seat belt has been correctly completed.**
5. **Removal of the pretensioner seat belt :**

- **Make sure that ignition is "Off".**
- **Disconnect the negative (-) battery terminal and make sure it does not come into contact with the body.**
- **Wait for about 1 minute.**
- **Pull the plug out from the appropriate connector at the gas generator.**
- **Loosen the bolt and remove the belt from the vehicle body.**

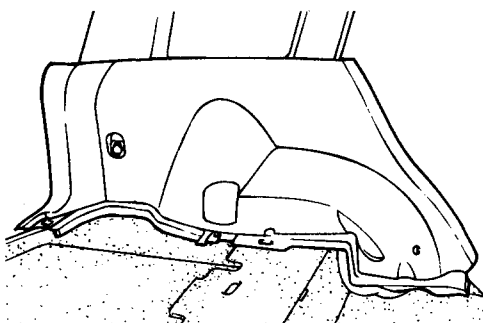
## REAR SEAT BELT

### REMOVAL AND INSTALLATION ESMB1900

1. Loosen the seat belt lower anchor bolt and remove the quarter trim.

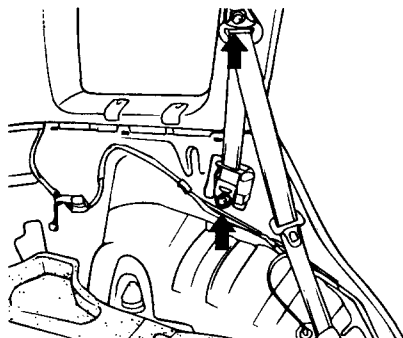


KSMB210A



KSMB210B

2. Loosen the seat belt upper anchor bolt and retractor mounting bolt, then remove the rear seat belt.



KSMB210C

---

#### Tightening torque

35 - 55 Nm (350 - 550 kg·cm, 25.8 - 40.6 lb·ft)

---

3. Installation is the reverse of removal.