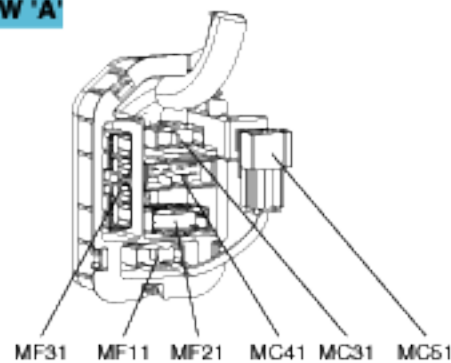
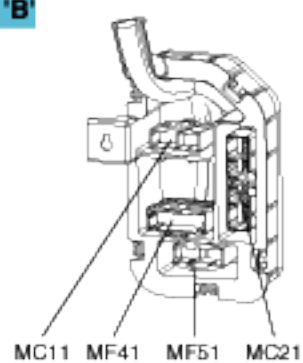


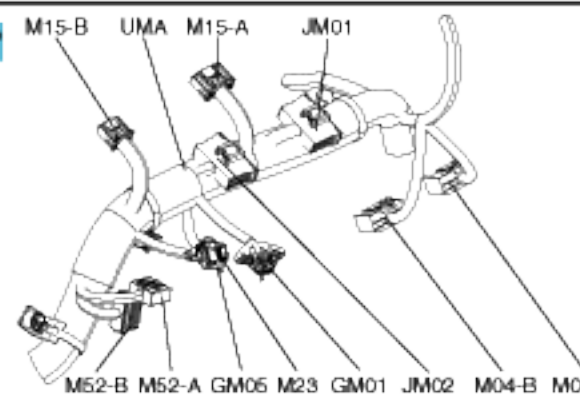
VIEW 'A'



VIEW 'B'

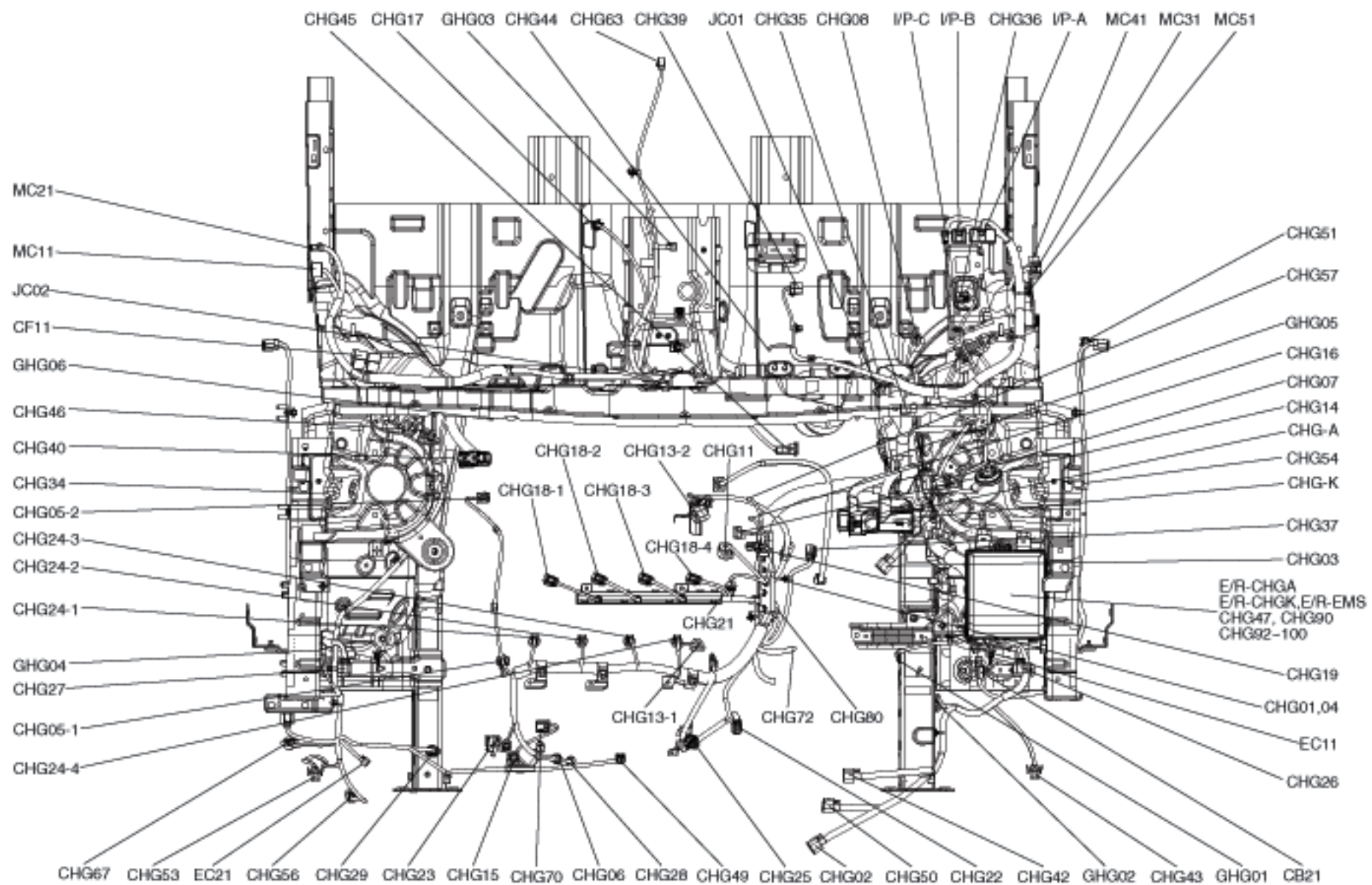


VIEW 'C'



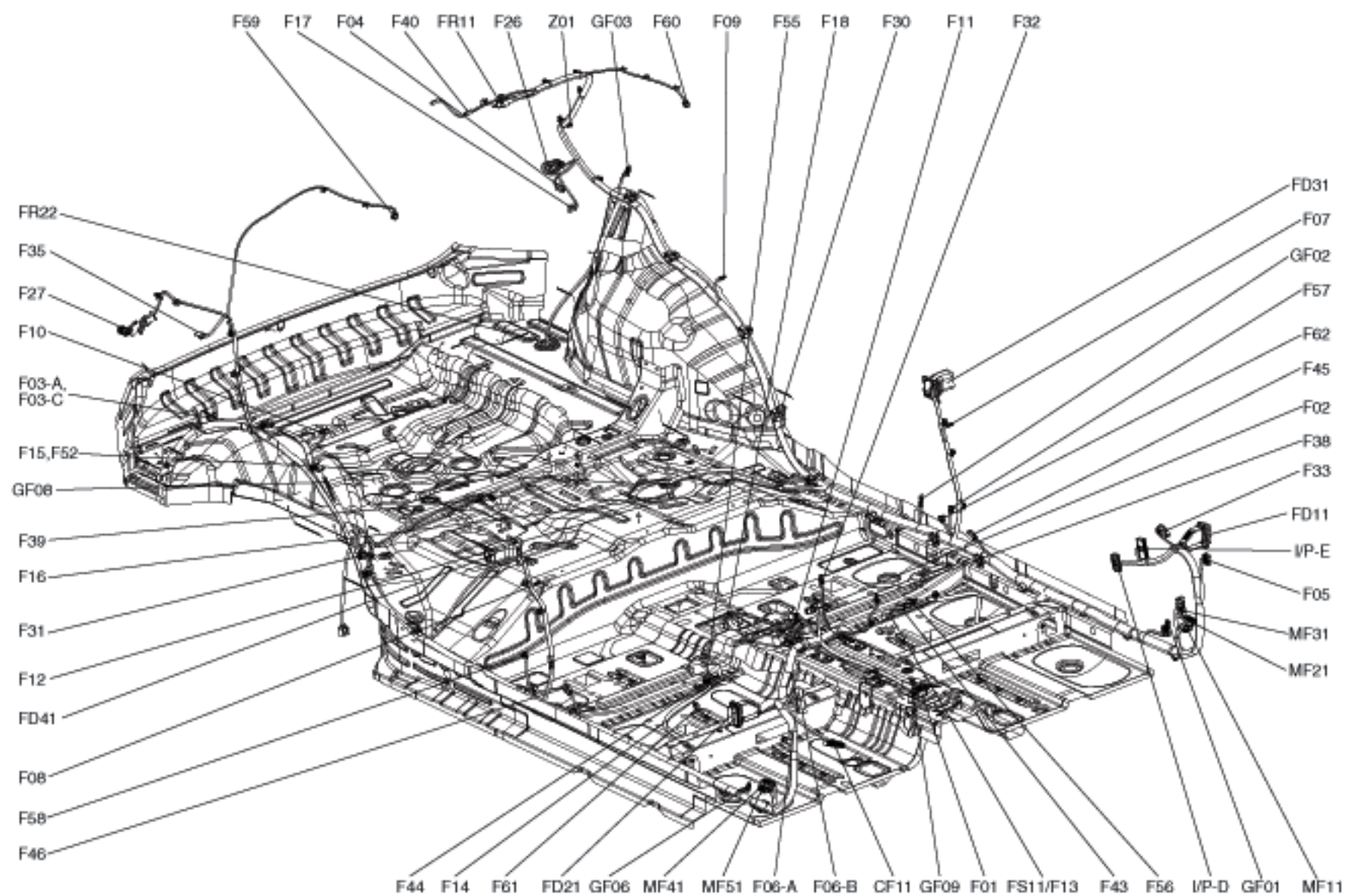
MAIN HARNESS

M01	Blower Motor	M31	Front Wiper Deicer Switch	I/P-F	Connection With I/P Junction Box
M02	SRS Control Module	M32	Hazard Switch	I/P-G	Connection With I/P Junction Box
M03	Evaporator Sensor	M33	Glove Box Lamp	I/P-H	Connection With I/P Junction Box
M04-A	ICM Relay Box	M34	Glove Box Lamp Switch	I/P-J	Connection With I/P Junction Box
M04-B	ICM Relay Box	M39	ODO Trip Switch	MC11	Connection With Control Harness
M05	Active Incar Sensor	M40	Cigarette Lighter & Front Power Outlet	MC21	Connection With Control Harness
M07	Intake Actuator	M41-A	A/C Control Module (Auto A/C)	MC31	Connection With Control Harness
M09	Ignition Key ILL. & Door Warning Switch (W/O Smart Key)	M41-B	A/C Control Module (Auto A/C)	MC41	Connection With Control Harness
M10	Data Link Connector	M43-A	A/C Control Module (Manual A/C)	MC51	Connection With Control Harness
M11	Mode Actuator	M43-B	A/C Control Module (Manual A/C)	MF11	Connection With Floor Harness
M13-A	BCM	M45-A	Audio	MF21	Connection With Floor Harness
M13-B	BCM	M45-B	Audio	MF31	Connection With Floor Harness
M13-C	BCM	M46	Passenger Air Bag #1	MF41	Connection With Floor Harness
M14	FET(Field Effect Transistor)	M47	Passenger Air Bag #2	MF51	Connection With Floor Harness
M15-A	Instrument Cluster	M49	Blower Resistor	MR01	Connection With Roof Harness
M15-B	Instrument Cluster	M50-A	A/V & Navigation Head Module	GM01	Ground
M16	Auto Light & Photo Sensor	M50-C	A/V & Navigation Head Module	GM02	Ground
M17-A	EPS Control Module	M50-D	A/V & Navigation Head Module	GM03	Ground
M17-B	EPS Control Module	M51-A	PDM Relay Box (With Smart Key)	GM04	Ground
M18	Ignition Switch	M51-B	PDM Relay Box (With Smart Key)	GM05	Ground
M19	Key Solenoid (W/O Smart Key & A/T)	M52-A	PDM (With Smart Key)	UMA	Joint Point
M20-L	Multifunction Switch (Light)	M52-B	PDM (With Smart Key)	UMB	Joint Point
M20-W	Multifunction Switch (Wiper)	M54	RF Receiver (With Smart Key)	UMC	Joint Point
M20-R	Multifunction Switch (Remote Control)	M55	Rheostat	UMD	Joint Point
M21	Cluster Ionizer (Auto A/C)	M57	Rear Defogger Switch	UME	Joint Point
M22	Driver Air Bag	M60	Smart Key Antenna #1	UMF	Joint Point
M23	Immobilizer Module (W/O Smart Key)	M61	Start Stop Button Switch (With Smart Key)		
M24	AUX & USB Jack (Audio)	M63	Passenger Temperature Actuator		
M25	AUX & USB Jack (A/V & Navigation Head)	M65	Driver Temperature Actuator		
M26	ESC Off Switch	M67	Tire Pressure Monitoring Module		
M27	DBC Switch	M69	Telltale Lamp		
M28	4WD Lock Switch	JM01	Joint Connector		
M30	Console Switch	JM02	Joint Connector		



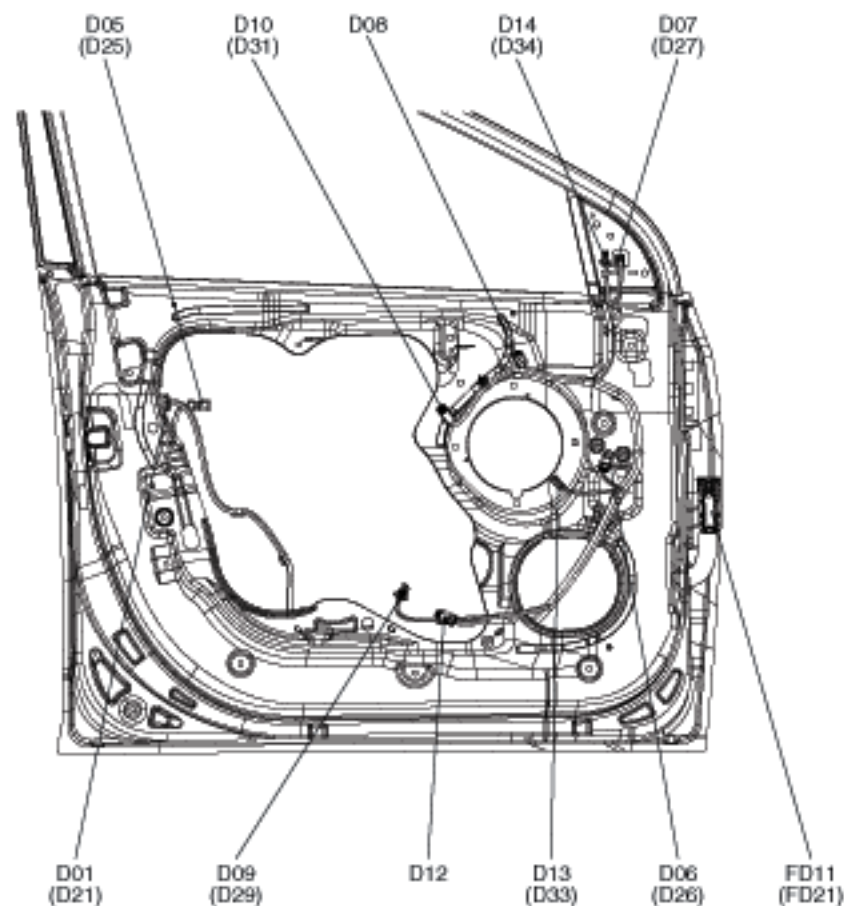
CONTROL HARNESS

CHG-A	PCM	CHG28	A/C Compressor	CHG98	Start Relay
CHG-K	PCM	CHG29	A/C Pressure Transducer	CHG99	Burglar Alarm Horn Relay
CHG01	Transaxle Range Switch	CHG34	Front Wheel Sensor RH	CHG100	Rear Defogger Relay
CHG02	Ambient Sensor	CHG35	Front Wiper Deicer	JC01	Joint Connector
CHG03	Battery Sensor	CHG36	Clutch Switch (M/T)	JC02	Joint Connector
CHG04	ATM Solenoid Valve	CHG37	Back-Up Lamp Switch (M/T)	I/P-A	Connection With I/P Junction Box
CHG05-1	Oil Control Valve #1	CHG39	Stop Lamp Switch	I/P-B	Connection With I/P Junction Box
CHG05-2	Oil Control Valve#2	CHG40	ESC Module	I/P-C	Connection With I/P Junction Box
CHG06	Alternator	CHG42	Cooling Fan Motor	E/R-CHGA	EMS Box
CHG07	Front Wiper Motor	CHG43	Front Fog Lamp LH	E/R-CHGK	EMS Box
CHG08	Ignition Lock Switch (M/T)	CHG44	Accel Pedal Position Sensor	E/R-EMS	Connection With EMS Box
CHG11	Engine Coolant Temperature Sensor	CHG45	Brake Fluid Level Sensor	CB21	Connection With Battery Harness
CHG13-1	Camshaft Position Sensor #1	CHG46	Burglar Alarm Horn	CF11	Connection With Floor Harness
CHG13-2	Camshaft Position Sensor #2	CHG47	Multipurpose Check Connector	EC11	Connection With Front End Module Harness
CHG14	Crankshaft Position Sensor	CHG49	Hood Switch	EC21	Connection With Front End Module Harness
CHG15	Oil Pressure Switch	CHG50	Horn	MC11	Connection With Main Harness
CHG16	Oxygen Sensor (Up)	CHG51	External Buzzer	MC21	Connection With Main Harness
CHG17	Oxygen Sensor (Down) (W/O SULEV)	CHG53	Front Fog Lamp RH	MC31	Connection With Main Harness
CHG18-1	Ignition Coil #1	CHG54	Front Wheel Sensor LH	MC41	Connection With Main Harness
CHG18-2	Ignition Coil #2	CHG56	Rear Washer Motor	MC51	Connection With Main Harness
CHG18-3	Ignition Coil #3	CHG57	Oxygen Sensor (Down) (With SULEV)	GHG01	Ground
CHG18-4	Ignition Coil #4			GHG02	Ground
CHG19	Condenser	CHG63	ATM Shift Lever	GHG03	Ground
CHG21	Canister Purge Control Solenoid Valve	CHG67	Front Washer Motor	GHG04	Ground
CHG22	ETC Motor & Throttle Position Sensor	CHG70	Variable Intake Manifold Valve	GHG05	Ground
CHG23	Knock Sensor	CHG72	Vehicle Speed Sensor (M/T)	GHG06	Ground
CHG24-1	Injector #1	CHG80	Variable Charge Motion Actuator		
CHG24-2	Injector #2	CHG90	Front Wiper (Low) Relay		
CHG24-3	Injector #3	CHG92	Cooling Fan (High) Relay		
CHG24-4	Injector #4	CHG93	Front Wiper Deicer Relay		
CHG25	MAP Sensor	CHG94	ATM P/N Relay		
CHG26	Head Lamp RH	CHG95	Blower Relay		
CHG27	Head Lamp RH	CHG96	Horn Relay		
		CHG97	Cooling Fan (Low) Relay		



FLOOR HARNESS

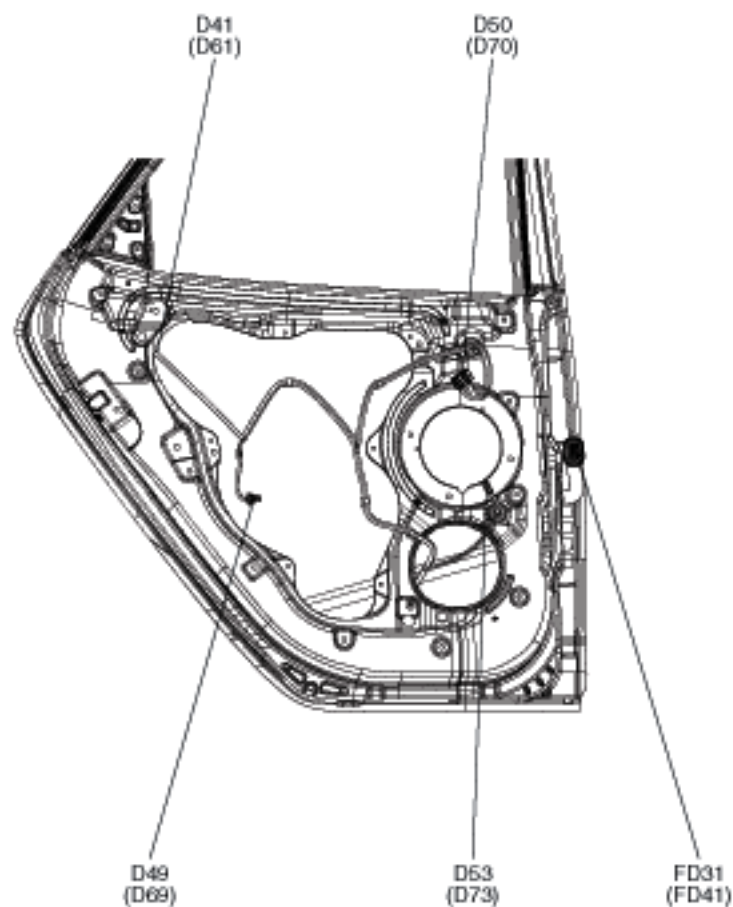
F01	SRS Control Module	F52	Electronic Magnetic Valve Clutch
F02	Fob Holder (With Smart Key)	F55	Passenger Seat Belt Buckle Switch
F03-A	AMP	F56	Driver Seat Belt Buckle Switch
F03-C	AMP	F57	Driver Seat Belt Pretensioner
F04	Luggage Lamp	F58	Passenger Seat Belt Pretensioner
F05	4WD ECM	F59	Passenger Curtain Air Bag
F06-A	Smart Key Control Module	F60	Driver Curtain Air Bag
F06-B	Smart Key Control Module	F61	Passenger Occupant Detection Sensor
F07	Driver Door Switch	F62	Belt Tension Sensor
F08	Passenger Door Switch	CF11	Connection With Control Harness
F09	Rear Door Switch LH	FD11	Connection With Door Harness
F10	Rear Door Switch RH	FD21	Connection With Door Harness
F11	Smart Key Antenna #2	FD31	Connection With Door Harness
F12	Fuel Sender & Fuel Pump Motor	FD41	Connection With Door Harness
F13	Driver Seat Warmer	FR11	Connection With Tail Gate Harness
F14	Passenger Seat Warmer	FR22	Connection With Rear Bumper Harness
F15	Canister Close Valve	FS11	Connection With Driver Seat Harness
F16	Fuel Tank Pressure Sensor	I/P-D	Connection With I/P Junction Box
F17	Rear Power Outlet	I/P-E	Connection With I/P Junction Box
F18	Yaw Rate Sensor	MF11	Connection With Main Harness
F26	Rear Combination Lamp (Out) LH	MF21	Connection With Main Harness
F27	Rear Combination Lamp (Out) RH	MF31	Connection With Main Harness
F30	Rear Wheel Sensor LH	MF41	Connection With Main Harness
F31	Rear Wheel Sensor RH	MF51	Connection With Main Harness
F32	Hand Parking Brake Switch(M/T)	GF01	Ground
F33	Foot Parking Brake Switch(A/T)	GF02	Ground
F35	Sub Woofer Speaker	GF03	Ground
F38	ATM Shift Lever Ill.	GF06	Ground
F39	Smart Key Antenna #3	GF08	Ground
F40	Roof Antenna	GF09	Ground
F43	Driver Side Air Bag	Z01	Diode
F44	Passenger Side Air Bag	UFA	Joint Point
F45	Rear Pressure Side Impact Sensor LH	UFB	Joint Point
F46	Rear Side Impact Sensor RH		

**DRIVER DOOR HARNESS**

D01	Driver Door Lock Actuator
D05	Driver Smart Key Outside Handle
D06	Driver Pressure Side Impact Sensor
D07	Driver Power Outside Mirror
D08	Power Outside Mirror Switch
D09	Driver Power Window Motor
D10	Power Window Main Switch
D12	Driver Safety Power Window Module
D13	Driver Door Speaker
D14	Driver Door Tweeter Speaker
FD11	Connection With Floor Harness

PASSENGER DOOR HARNESS

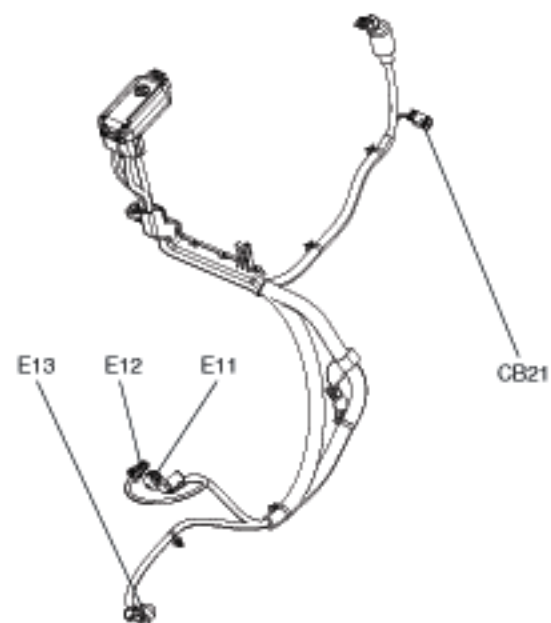
D21	Passenger Door Lock Actuator
D25	Passenger Smart Key Outside Handle
D26	Passenger Pressure Side Impact Sensor
D27	Passenger Power Outside Mirror
D29	Passenger Power Window Motor
D31	Passenger Power Window Switch
D33	Passenger Door Speaker
D34	Passenger Door Tweeter Speaker
FD21	Connection With Floor Harness

**REAR DOOR LH HARNESS**

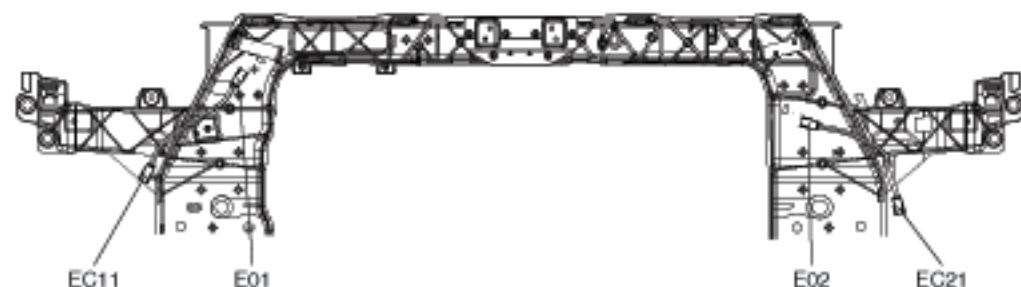
D41	Rear Door Lock Actuator LH
D49	Rear Power Window Motor LH
D50	Rear Power Window Switch LH
D53	Rear Door Speaker LH
FD31	Connection with Floor harness

REAR DOOR RH HARNESS

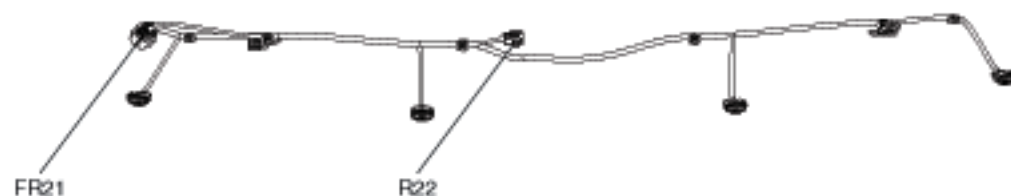
D61	Rear Door Lock Actuator RH
D69	Rear Power Window Motor RH
D70	Rear Power Window Switch RH
D73	Rear Door Speaker RH
FD41	Connection with Floor harness

**BATTERY HARNESS**

E11	Start Motor
E12	Start Solenoid
E13	Alternator
CB21	Connection with Control harness

**FRONT END MODULE HARNESS**

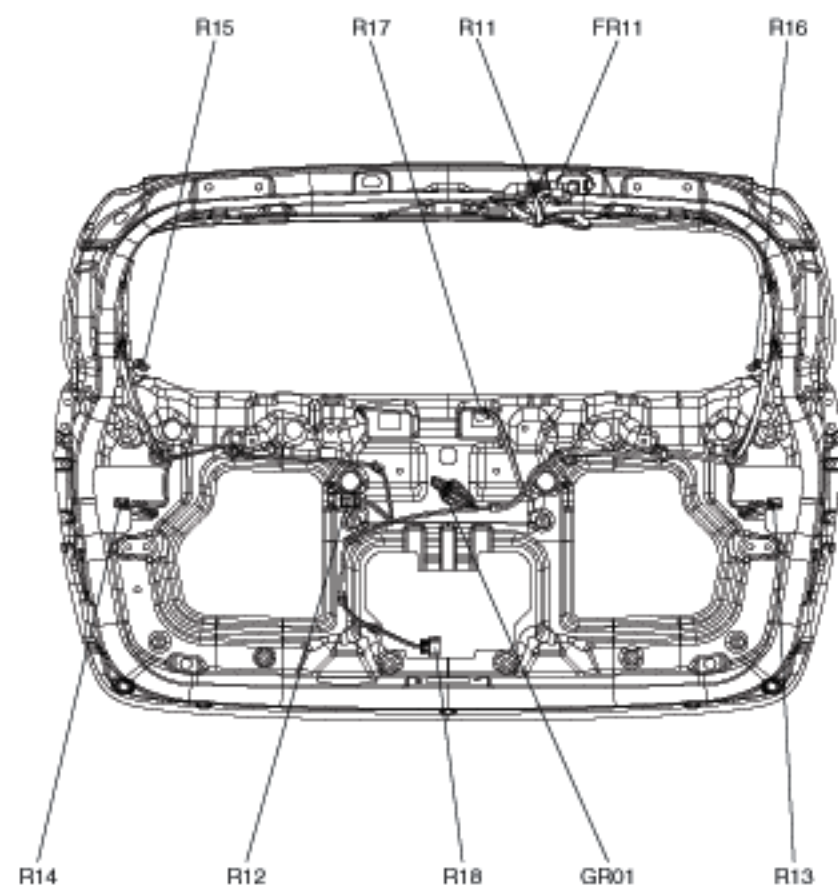
E01	Driver Front Impact Sensor
E02	Passenger Front Impact Sensor
EC11	Connection with Control harness
EC21	Connection with Control harness

**REAR BUMPER HARNESS**

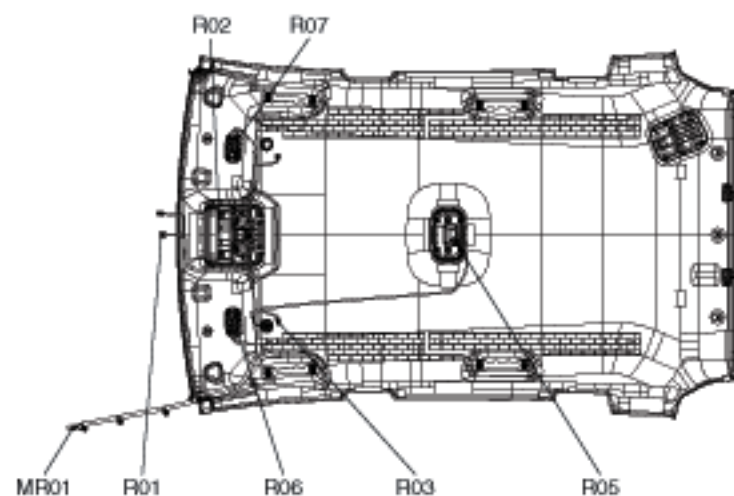
R22	Smart Key Bumper Antenna
FR21	Connection with FLOOR harness

TAIL GATE HARNESS

R11	High-Mounted Stop Lamp
R12	License Lamp (Rear View Camera, Tail Gate Handle Switch)
R13	Rear Combination Lamp (In) LH
R14	Rear Combination Lamp (In) RH
R15	Rear Defogger (-)
R16	Rear Defogger (+)
R17	Rear Wiper Motor
R18	Tail Gate Latch
FR11	Connection With Floor harness
GR01	Ground



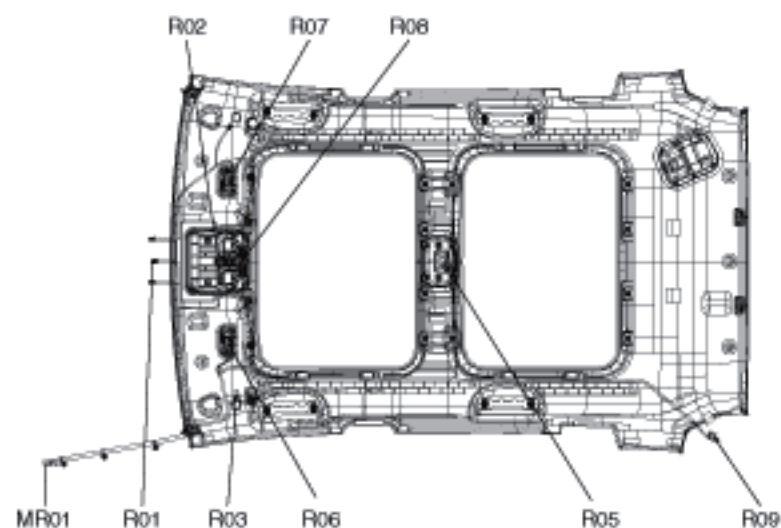
W/O Sunroof

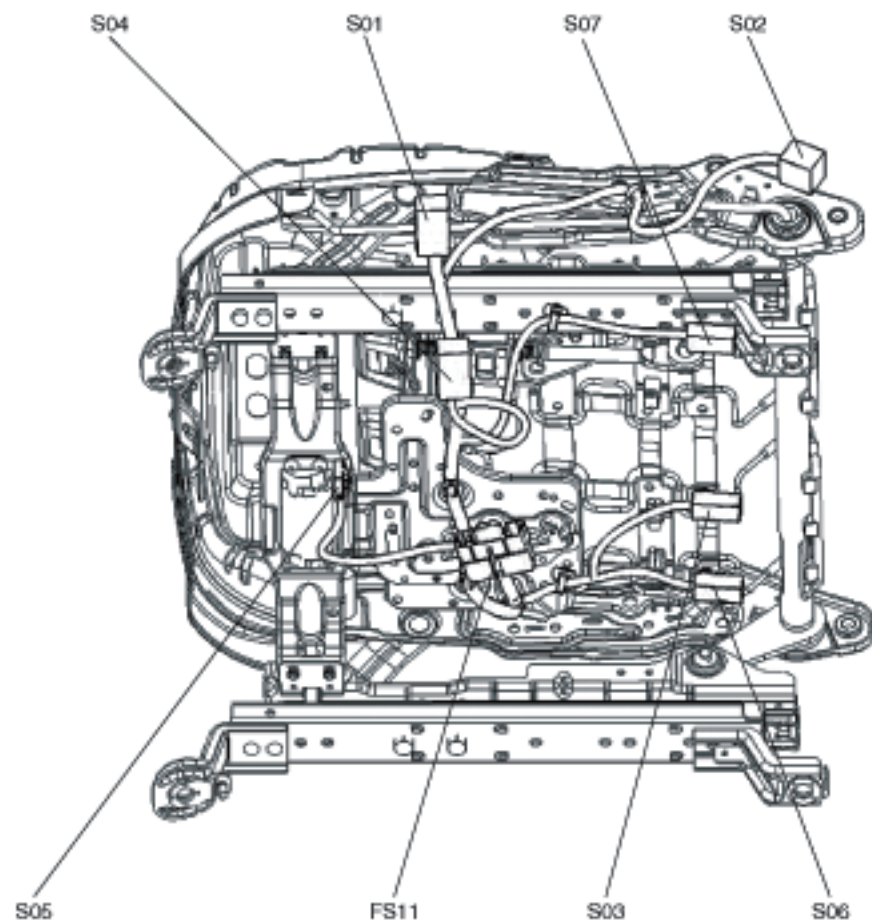


ROOF HARNESS

R01	Electro Chromic Mirror
R02	Map Lamp
R03	MIC
R05	Room Lamp
R06	Driver Vanity Lamp
R07	Passenger Vanity Lamp
R08	Sunroof Switch
R09	Sunroof Motor
MR01	Connection With Main Harness
URA	Joint Point
URB	Joint Point

With Sunroof



**SEAT HARNESS**

S01	Driver Seat Manual Switch
S02	Driver Reclining Limit Switch
S03	Driver Reclining Motor
S04	Front Height Motor
S05	Driver Slide Motor
S06	Driver Seat Warmer
S07	Driver Lumbar Support Switch
FS11	Connection With Floor Harness