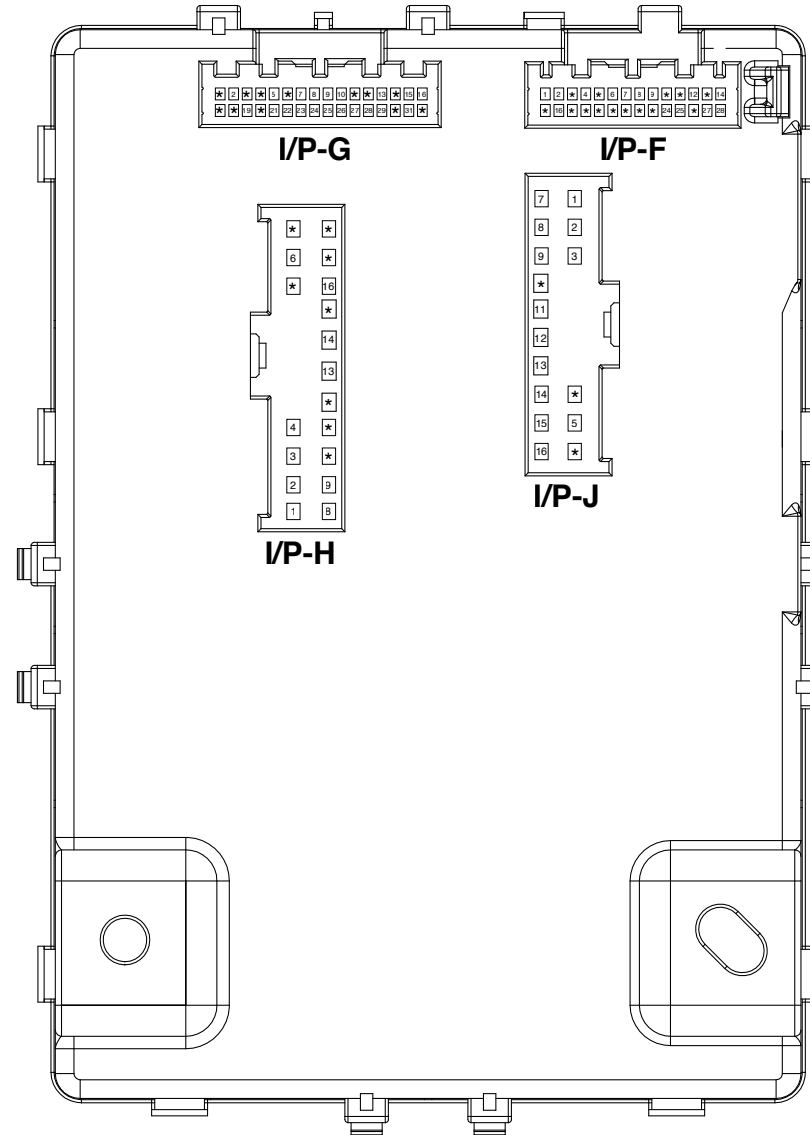
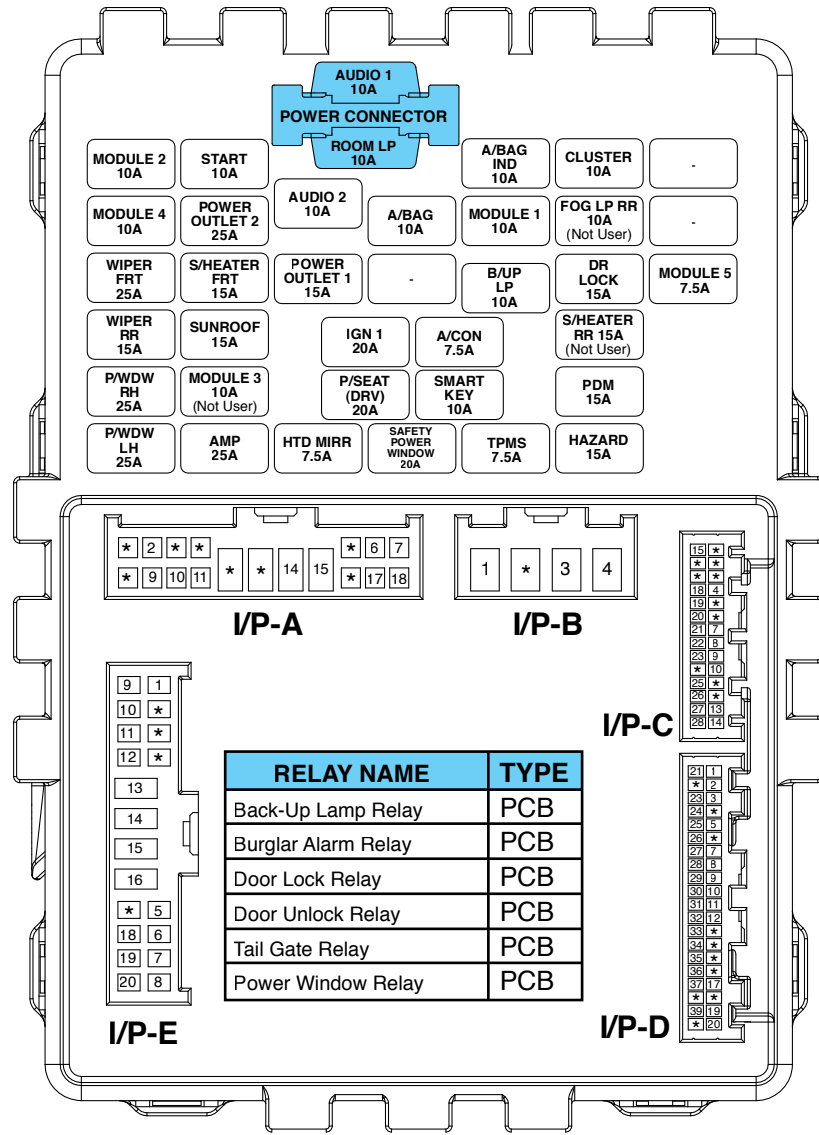


I/P JUNCTION BOX



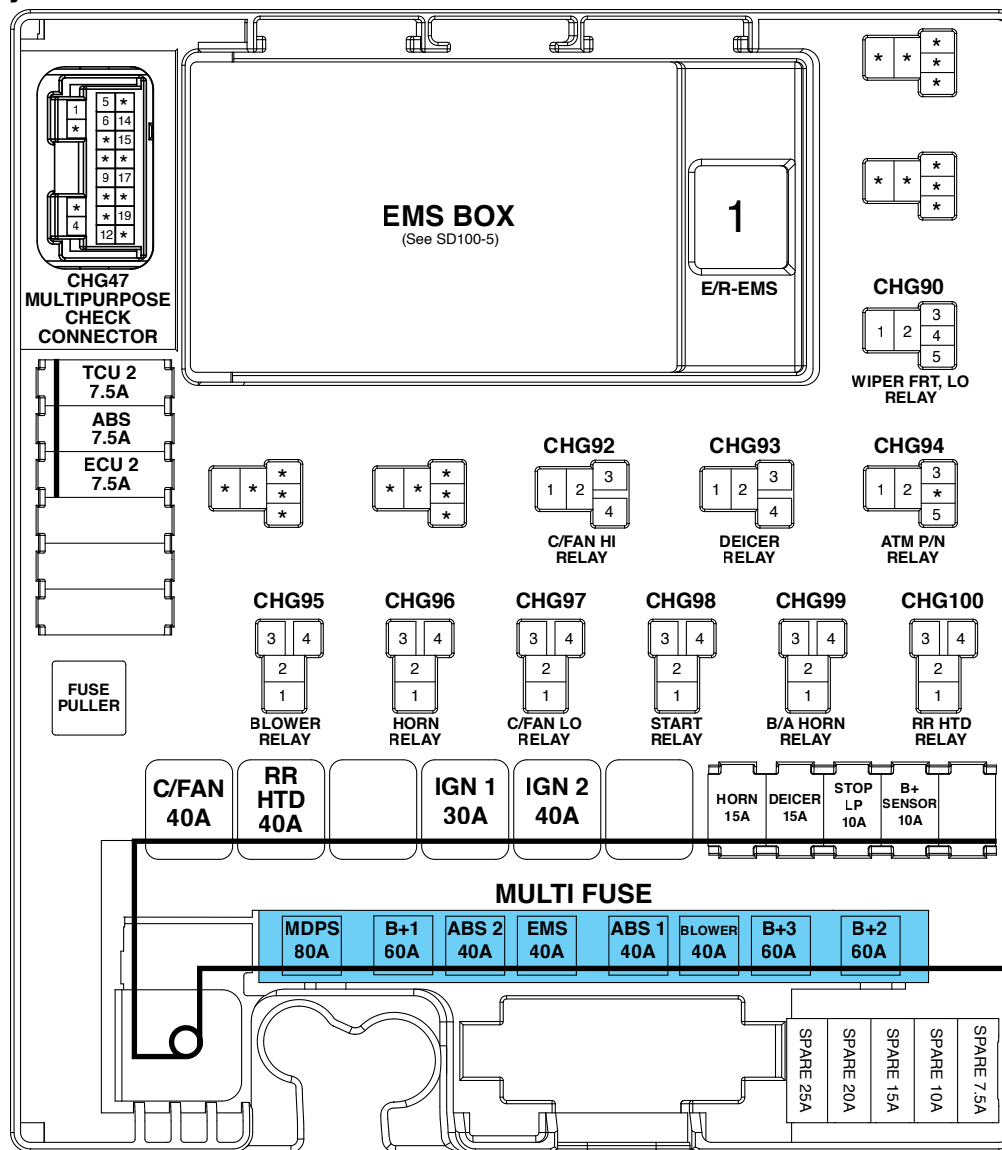
✘ USE THE DESIGNATED FUSE AND RELAY ONLY

Circuit (I/P Junction Box)

Fuse Name		(A)	Circuit Protected
POWER CONNECTOR	AUDIO 1	10A	Audio, A/V & Navigation Head Module
	ROOM LP	10A	BCM, Auto Light & Photo Sensor, Room Lamp, Driver/Passenger Vanity Lamp Switch, Date Link Connector, Door warning Switch, RF Receiver A/C Control Module, Luggage Lamp, IPS Control Module, Instrument Cluster (IND.), Map Lamp, Electro Chromic Mirror
MODULE 2		10A	IPS Control Module, BCM, Electro Chromic Mirror, PDM
START		10A	W/O Smart Key : Burglar Alarm Relay, E/R Fuse & Relay Box(Start Relay) With Smart Key : E/R Fuse & Relay Box(ATM P/N Relay), PCM
A/BAG IND CLUSTER		10A	Instrument Cluster (Air Bag IND.)
MODULE 4		10A	Audio, Console Switch, Instrument Cluster(IND.), BCM, Alternator, A/V & Navigation Head Module, Smart Key Control Module
MODULE 4		10A	E/R Fuse & Relay Box(Blower Relay), Cluster Ionizer, A/C Control Module, Sunroof Motor
POWER OUTLET 2		25A	Cigarette Lighter & Front Power Outlet, Rear Power Outlet
AUDIO 2		10A	Smart Key Control Module, Power Outside Mirror Switch, AMP, BCM, PDM, A/V & Navigation Head Module, Audio, SRS Control Module
A/BAG		10A	Passenger Occupant Detection Sensor, Telltale Lamp
MODULE 1		10A	IPS Control Module, Tire Pressure Monitoring Module, EPS Control Module, ESC OFF Switch DBC Switch, ICM Relay Box(DBC Relay), Multifunction Switch(Light), Stop Lamp Switch, 4WD ECM
FOG LP RR		10A	-
WIPER FRT		25A	Front Wiper Motor, Multifunction Switch(Wiper), E/R Fuse & Relay Box(Front Wiper Relay)
S/HEATER FRT		15A	Console Switch
POWER OUTLET 1		15A	Cigarette Lighter & Front Power Outlet
B/UP LP		10A	B/UP LP Relay
DR LOCK		15A	Door Lock Relay, Tail Gate Relay, Door Unlock Relay
MODULE 5		7.5A	BCM, Smart Key Control Module, PDM
WIPER RR		15A	ICM Relay Box (Rear Wiper Relay), Rear Wiper Motor, Multifunction Switch (Wiper)
SUNROOF		15A	Sunroof Motor
IGN 1		20A	E/R Fuse & Relay Box(ECU 2 7.5A, ABS 7.5A, TCU 2 7.5A)
A/CON		7.5A	A/C Control Module
S/HEATER RR		15A	-
P/WDW RH		25A	Power Window Main Switch, Passenger Power Window Switch, Rear Power Window Switch RH
MODULE 3		10A	-
P/SEAT (DRV)		20A	Driver Seat Manual Switch
SMART KEY		10A	PDM, Smart Key Control Module, Start Stop Button Switch, FOB Holder, Key Solenoid
PDM		15A	PDM
P/WDW LH		25A	Power Window Main Switch, Rear Power Window Switch LH
AMP		25A	AMP
HTD MIRR		7.5A	Rear Defogger Switch, Rear Defogger (+), Driver/Passenger Power Outside Mirror
SAFETY POWER WINDOW		20A	Driver Safety Power Window Module
TPMS		7.5A	ATM Shift Lever, 4WD ECM, Tire Pressure Monitoring Module
HAZARD		15A	ICM Relay Box(Flasher Sound Relay), BCM

※ USE THE DESIGNATED FUSE AND RELAY ONLY

E/R Fuse & Relay Box



NO.	RELAY NAME	TYPE
CHG90	Wiper FRT, LO Relay	Plug Micro(5P)
CHG92	C/FAN HI Relay	Plug Micro(4P)
CHG93	Deicer Relay	Plug Micro(4P)
CHG94	ATM P/N Relay	Plug Micro(5P)
CHG95	Blower Relay	Plug Micro(4P)
CHG96	Horn Relay	Plug Micro(4P)
CHG97	C/FAN LO Relay	Plug Micro(4P)
CHG98	Start Relay	Plug Micro(4P)
CHG99	B/A Horn Relay	Plug Micro(4P)
CHG100	RR HTD Relay	Plug Micro(4P)

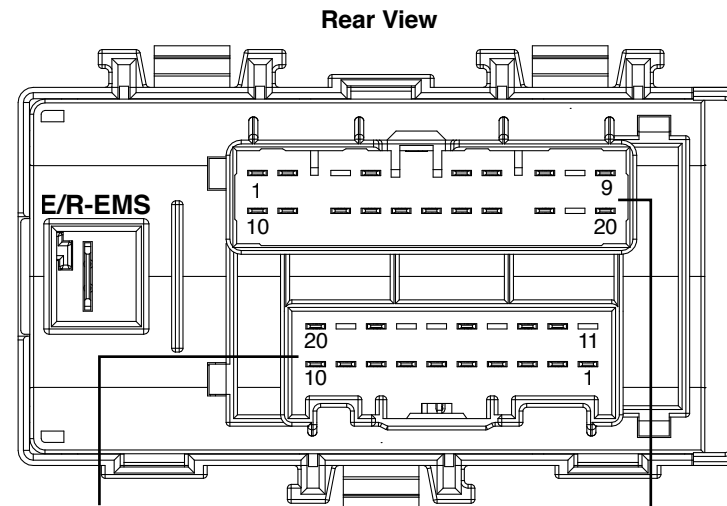
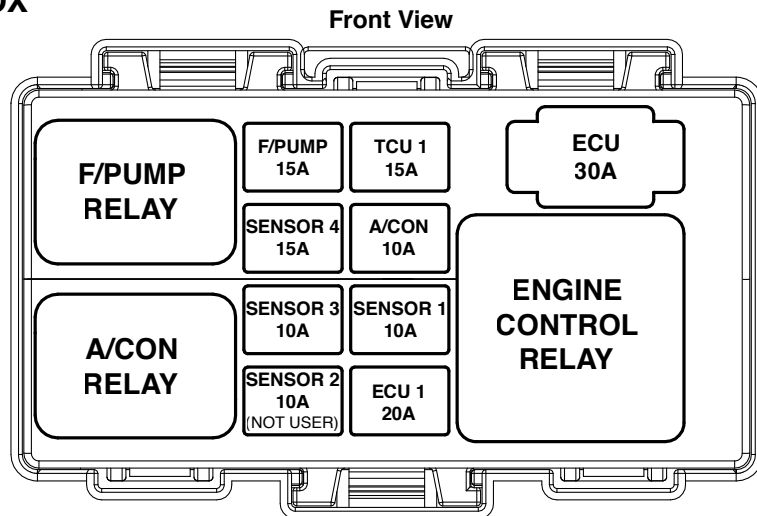
✳ USE THE DESIGNATED FUSE AND RELAY ONLY

Circuit (E/R Fuse & Relay Box)

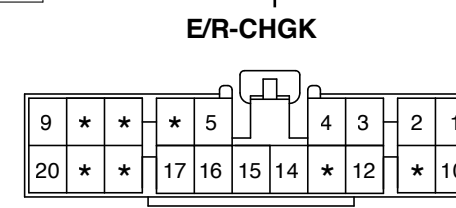
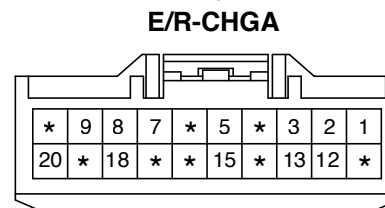
Fuse Name		(A)	Circuit Protected
MULTI FUSE	MDPS	80A	EPS Control Module
	B+1	60A	I/P Junction Box(PDM 15A, DR LOCK 15A, HAZARD 15A, IPS 4, IPS 5, IPS 6, IPS 7)
	ABS 2	40A	Multipurpose Check Connector, ESC Module
	EMS	40A	EMS Box(TCU 1 15A, ECU 30A, A/CON 10A, F/PUMP 15A)
	ABS 1	40A	Multipurpose Check Connector, ESC Module
	BLOWER	40A	Blower Relay
	B+3	60A	I/P Junction Box(P/SEAT(DRV) 20A, SAFETY POWER WINDOW 20A, SMART KEY 10A, TPMS 7.5A Power Connector(AUDIO 1 10A, ROOM LP 10A))
	B+2	60A	I/P Junction Box(Power Window Relay, SUNROOF 15A, AMP 25A, IPS 0, IPS 1, IPS 2, IPS 3)
FUSE	C/FAN	40A	E/R Fuse & Relay Box(C/FAN LO Relay, C/FAN HI Relay)
	RR HTD	40A	E/R Fuse & Relay Box(RR HTD Relay)
	IGN 1	30A	PDM Relay Box(IGN1 Relay), Ignition Switch
	IGN 2	40A	E/R Fuse & Relay Box(Start Relay), PDM Relay Box(IGN2 Relay), Ignition Switch
	HORN	15A	E/R Fuse & Relay Box(Horn Relay, B/A Horn Relay)
	DEICER	15A	E/R Fuse & Relay Box(Deicer Relay, RR HTD Relay)
	STOP LP	10A	Stop Lamp Switch, ICM Relay Box(DBC Relay)
	B+ SENSOR	10A	Battery Sensor
	ECU 2	7.5A	E/R Fuse & Relay Box(ATM P/N Relay), Mass Air Flow Sensor, PCM
	ABS	7.5A	Multipurpose Check Connector, ESC Module
TCU 2	7.5A	Transaxle Range Switch(A/T), Vehicle Speed Sensor(M/T)	

※ USE THE DESIGNATED FUSE AND RELAY ONLY

EMS BOX



RELAY NAME	TYPE
F/PUMP Relay	Plug Micro
A/CON Relay	Plug Micro
Engine Control Relay	Plug Mini

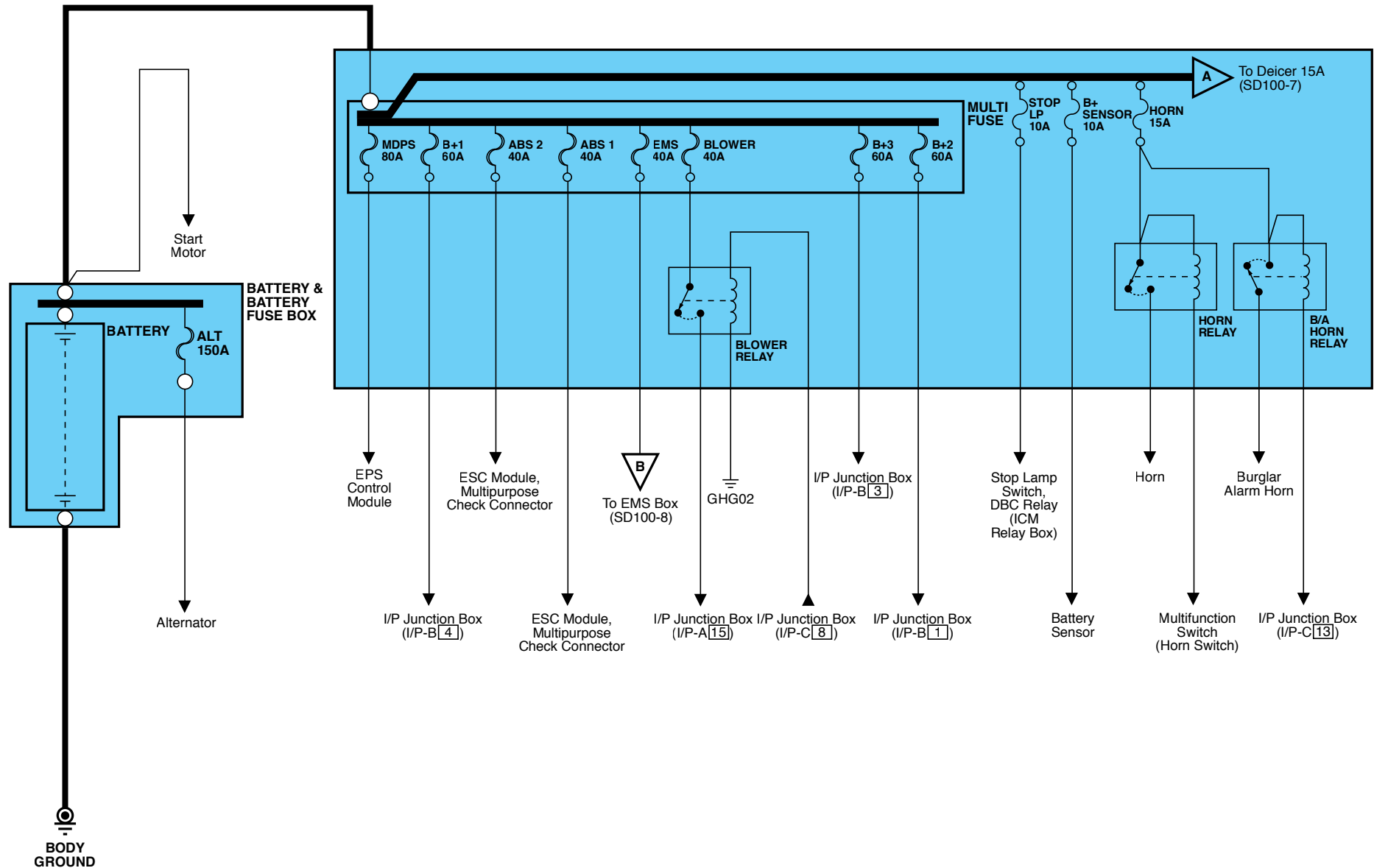


Circuit (EMS Box)

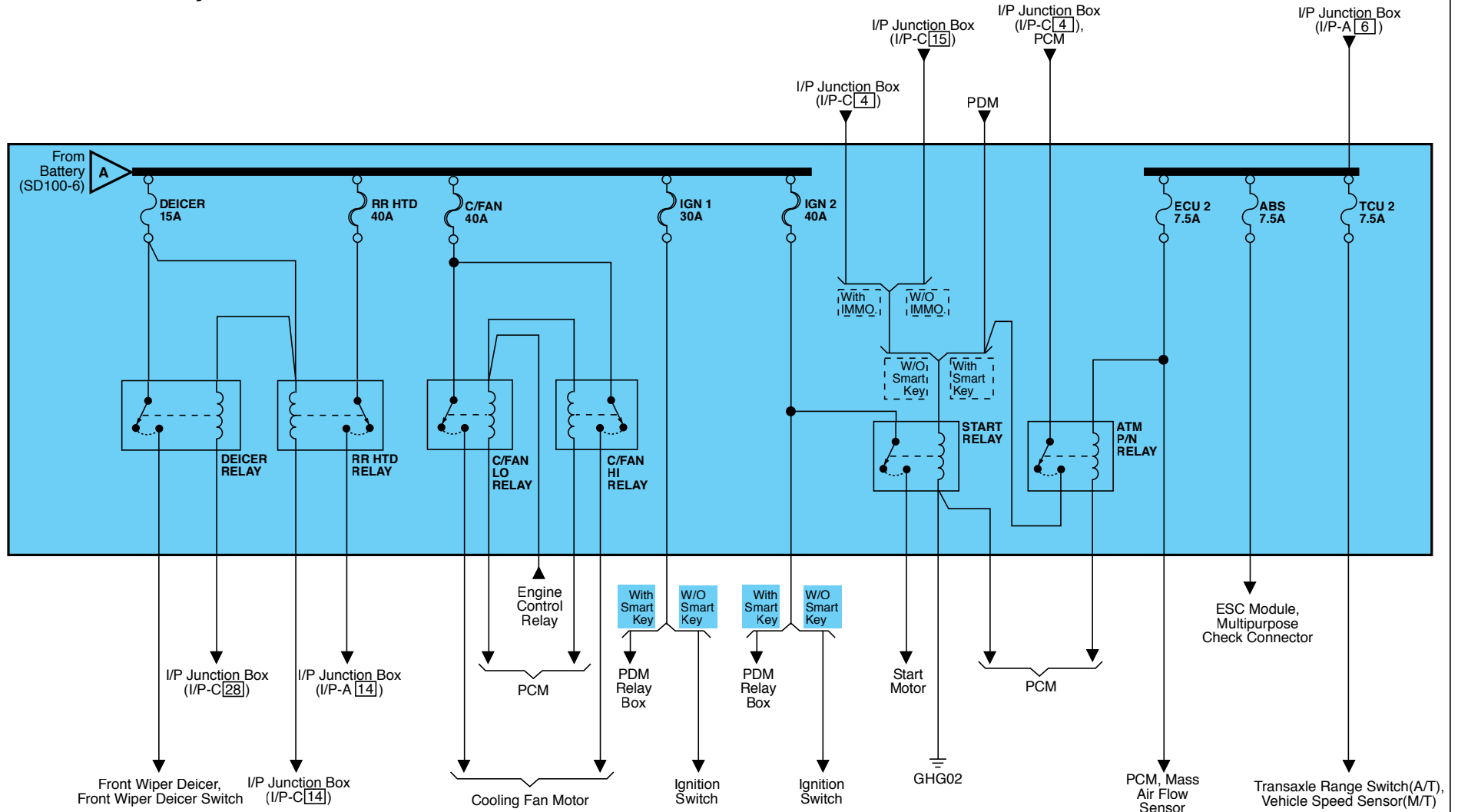
Fuse Name	(A)	Circuit Protected
F/PUMP	15A	EMS Box(F/PUMP Relay)
SENSOR 4	15A	E/R Fuse & Relay Box(C/FAN HI, LO Relay), EMS Box(F/PUMP Relay), Oxygen Sensor (UP, DOWN), PCM
SENSOR 3	10A	EMS Box(A/CON Relay), Injector(#1, #2, #3, #4)
SENSOR 2	10A	-
TCU 1	15A	PCM
A/CON	10A	EMS Box(A/CON Relay)
SENSOR 1	10A	Immobilizer Module, Crankshaft Position Sensor, Camshaft Position Sensor #1/2, Oil Control Valve #1/2 Canister Purge Control Solenoid Valve, Variable Intake Manifold Valve, Canister Close Valve
ECU 1	20A	Ignition Coil (#1, #2, #3, #4), Condenser
ECU	30A	EMS Box(Engine Control Relay)

※ USE THE DESIGNATED FUSE AND RELAY ONLY

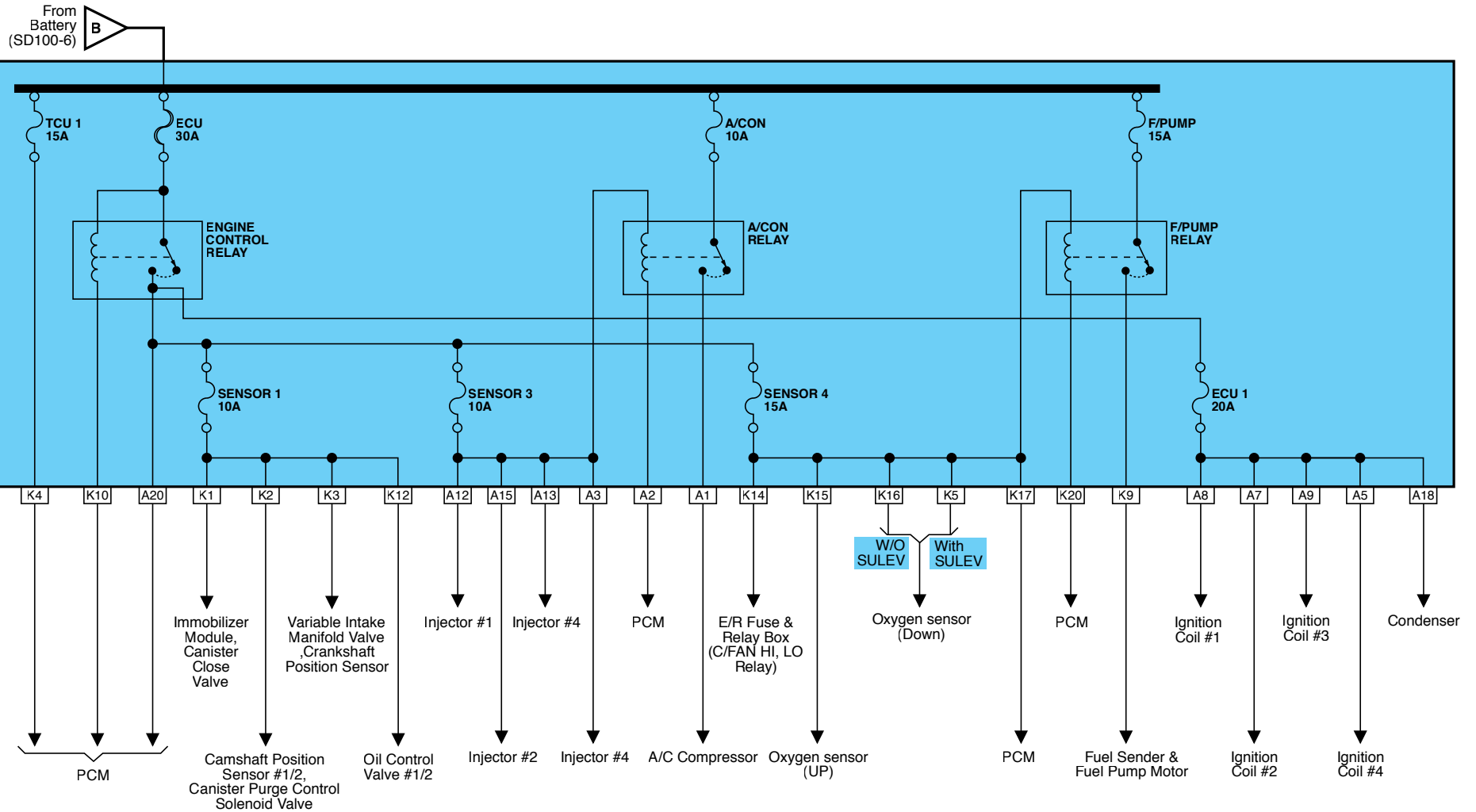
E/R Fuse & Relay Box



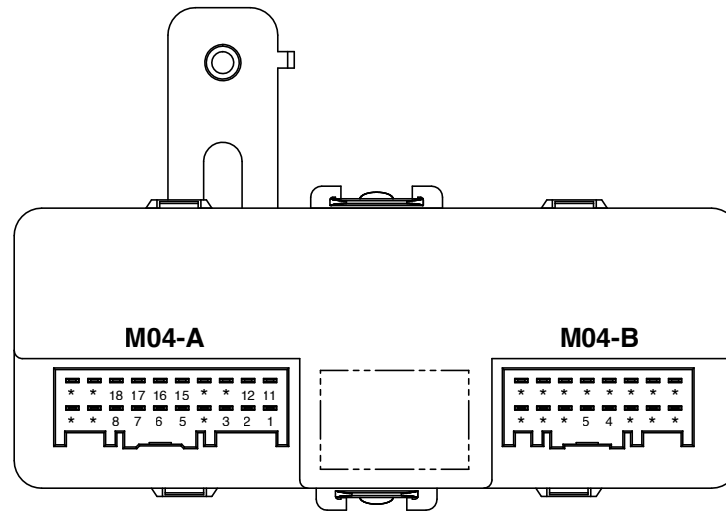
E/R Fuse & Relay Box



EMS Box



ICM Relay Box
- Layout



- Circuit

