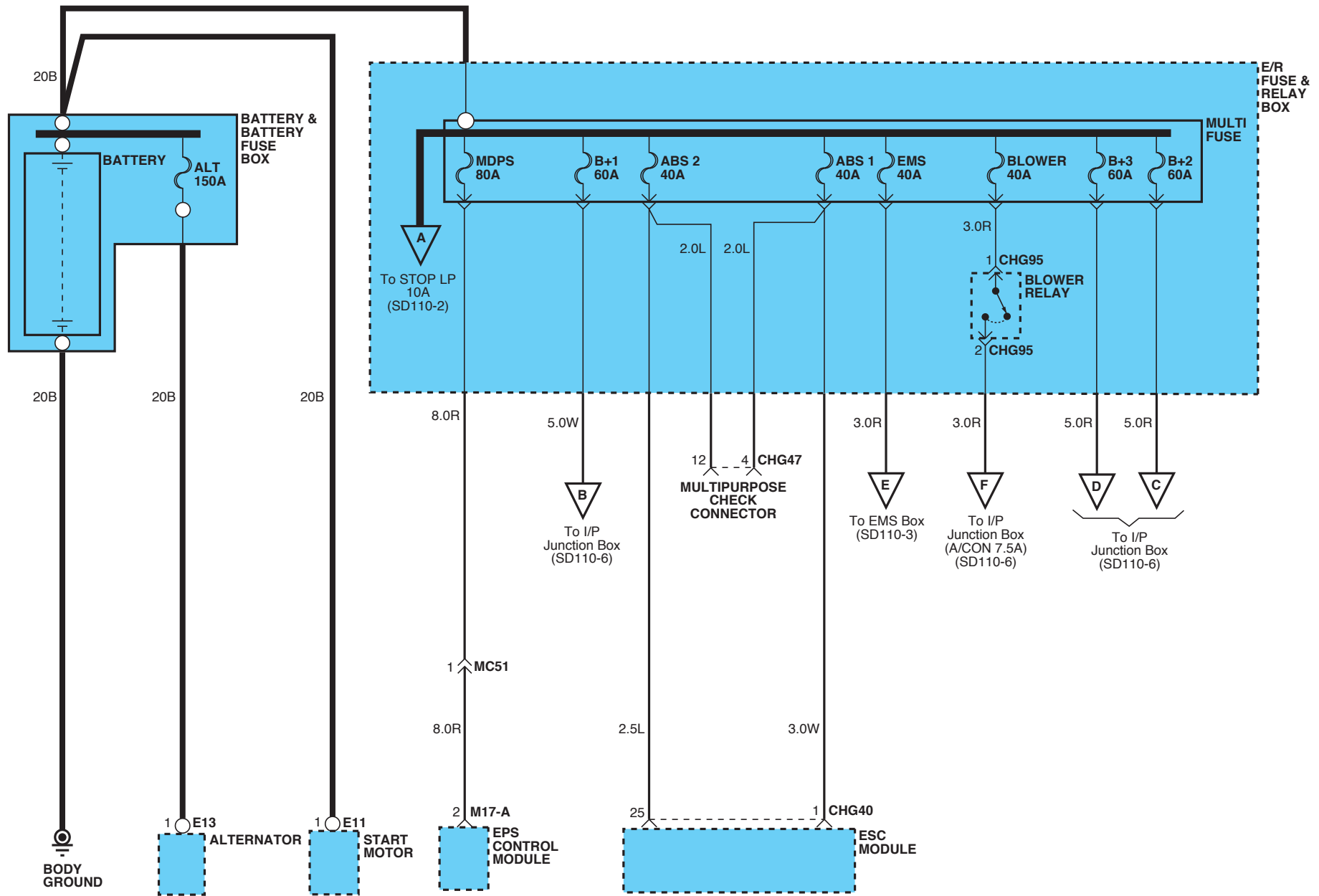


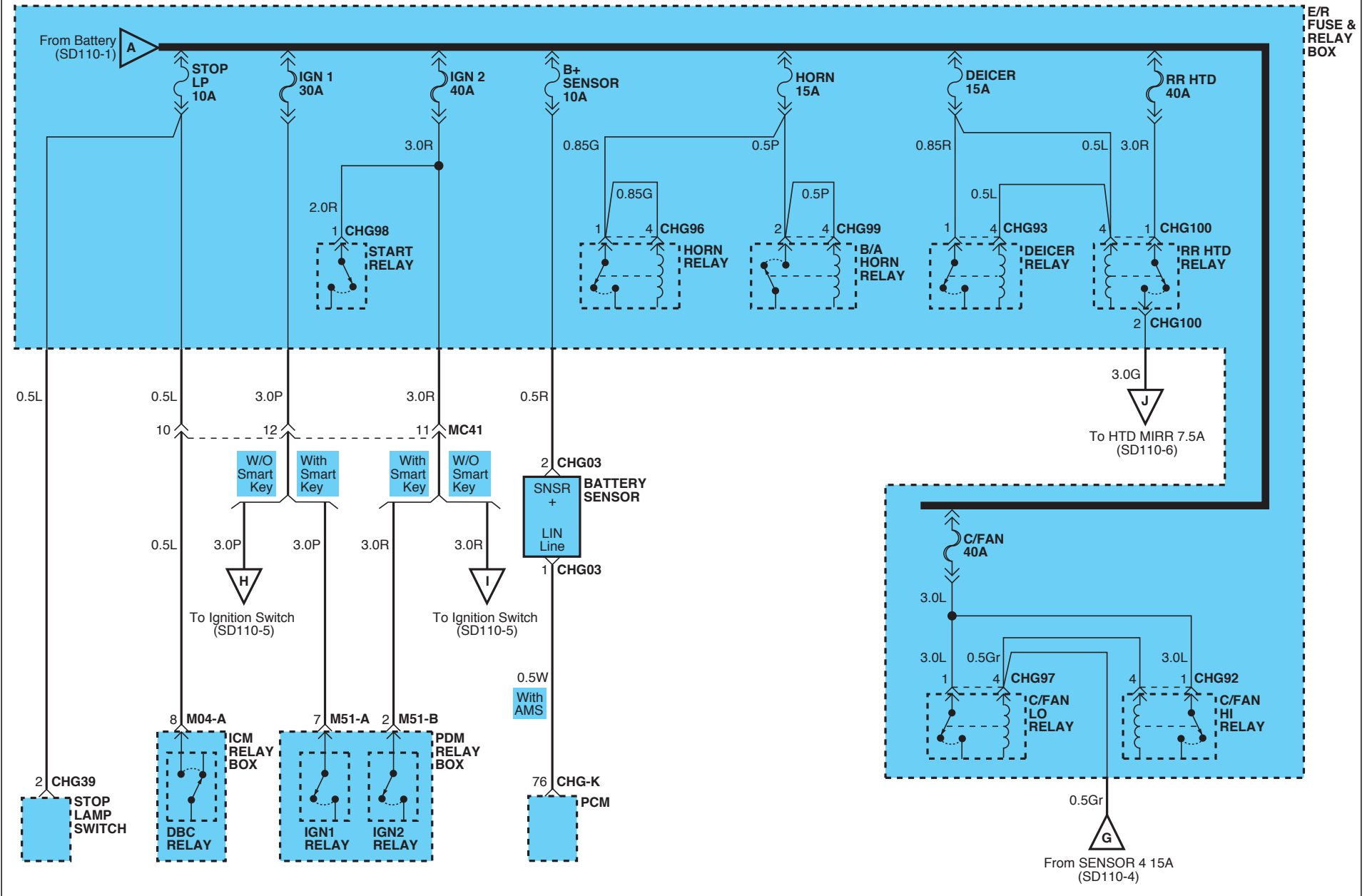
# Power Distribution (1)

SD110-1



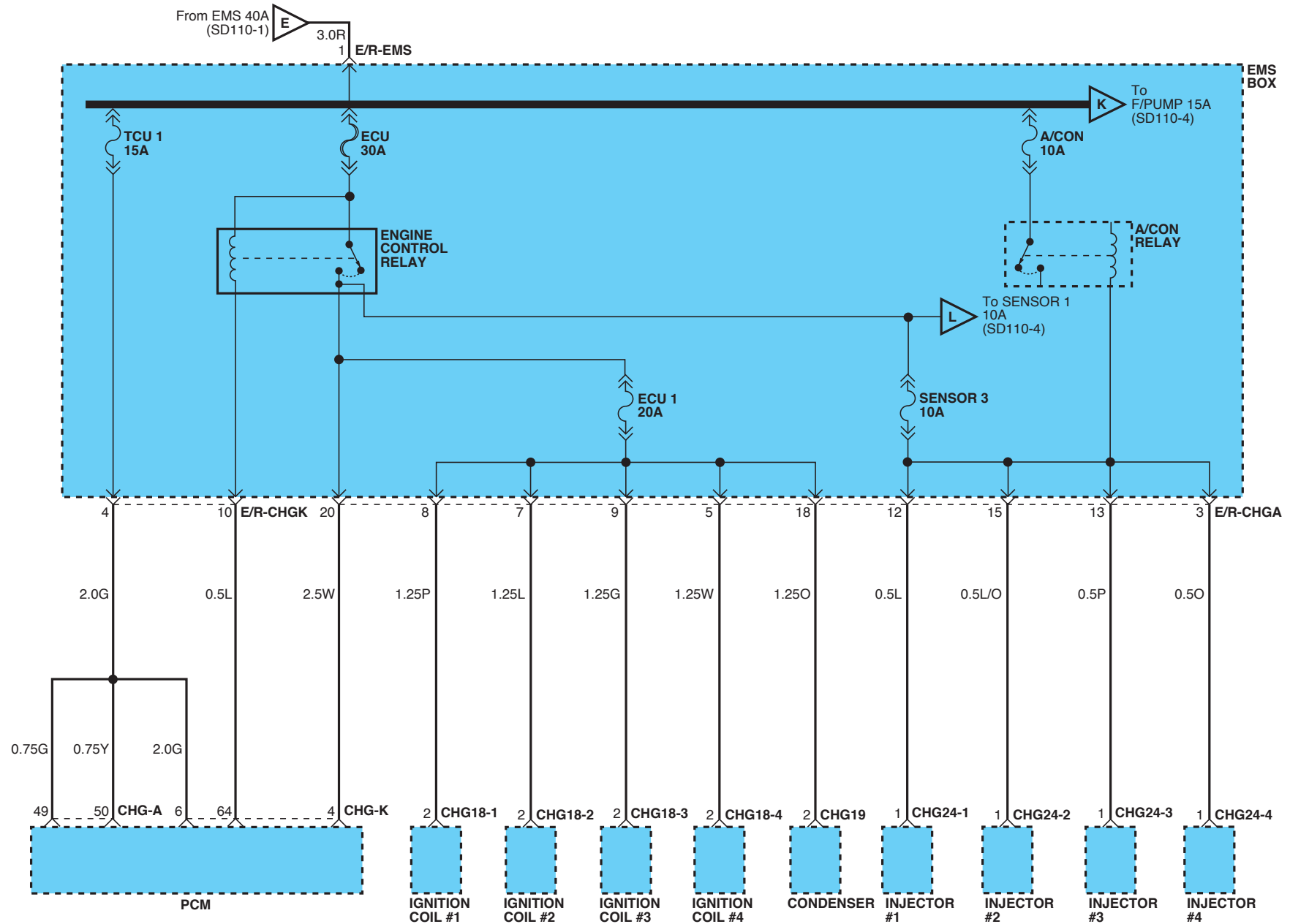
# Power Distribution (2)

SD110-2



# Power Distribution (3)

SD110-3



# Power Distribution (4)

SD110-4

