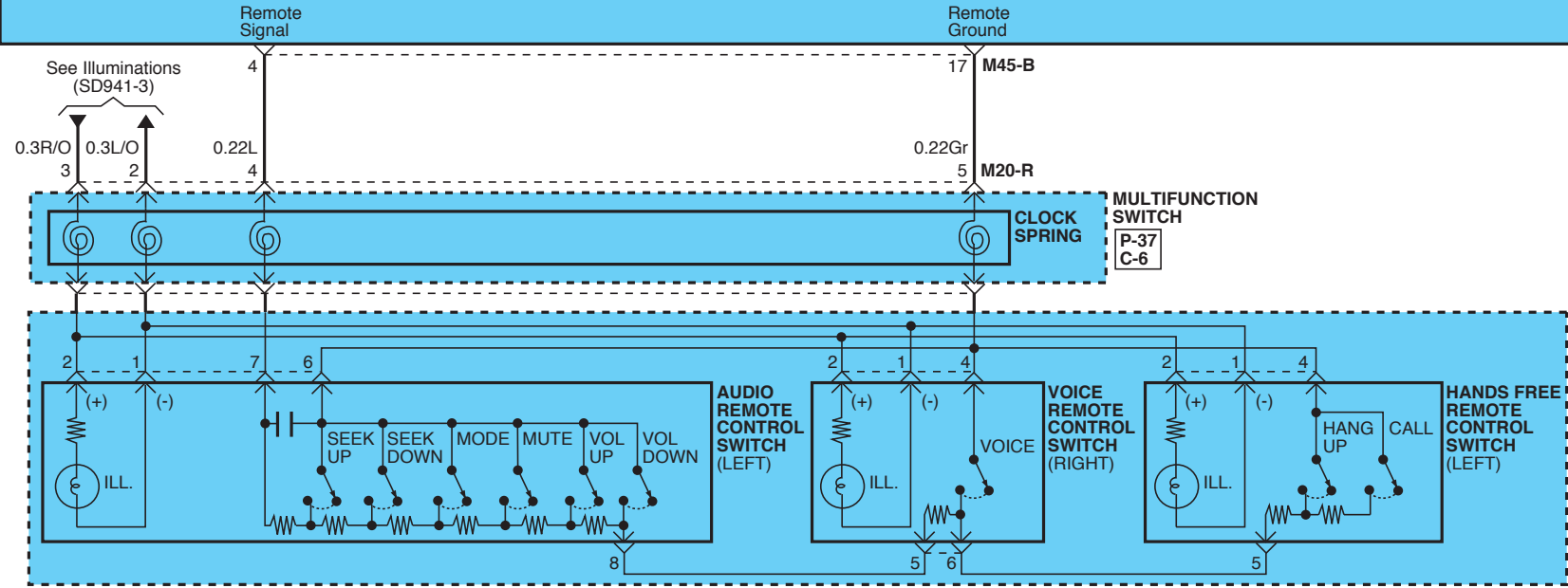
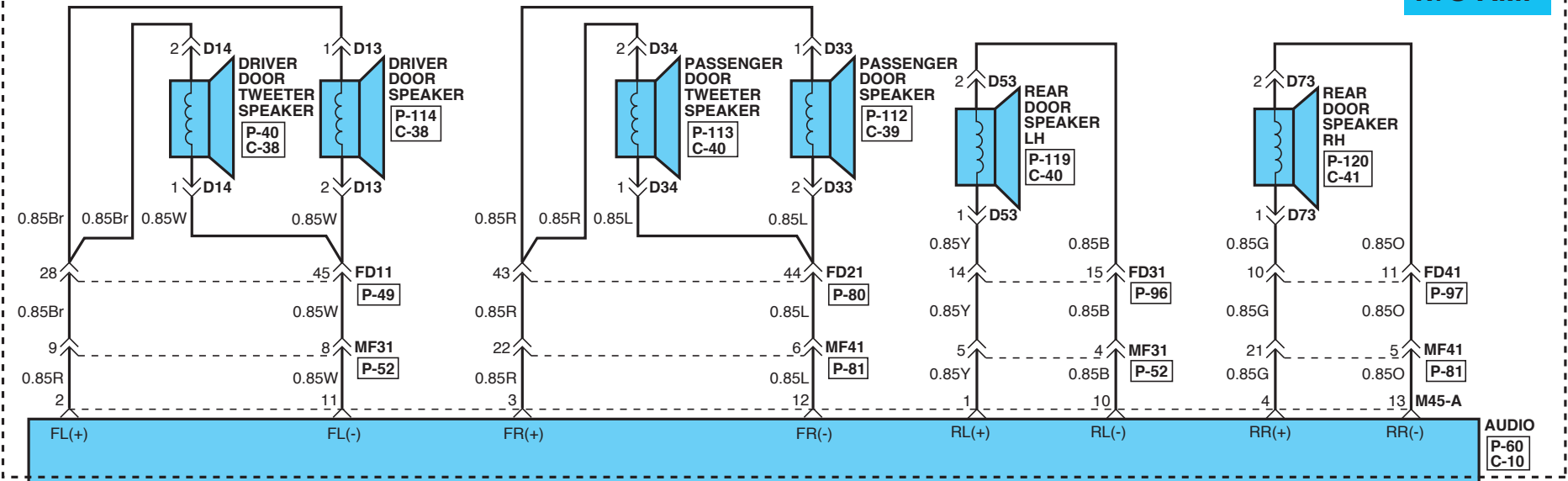




W/O AMP



With AMP

