

Applications for Passenger Cars

VEHICLE MAKE, MODEL & YEAR	MARQUE, MODÉLÉ ET ANNÉE DU VÉHICULE	La MARCA el MODELO & AÑO	GR-2		Gas-a-Just		AGX		STRUT & SHOCK MOUNTS / KITS		BOOT KITS	
			FRONT	REAR	FRONT	REAR	FRONT	REAR	FRONT	REAR	FRONT	REAR
			ACURA CL, CLS, NSX, RL, RSX & TL									
2001-03	CL, CLS		341257	341258					SM5058 SM5207	SM5059	SB108	SB107
	Front lower control arm shock bushing									SM5166		
	Rear lower control arm shock bushing									SM5051		
1996-99	CL Coupe	Right Hand	341117	341119			741010	741012	SM5058	SM5059	SB108	SB108
		Left Hand	341118	341119			741011	741012	SM5058 SM5207	SM5059	SB108	SB107
	Front lower control arm shock bushing											
	Rear lower control arm shock bushing											
1991-05	NSX										SB108	SB108
1996-04	RL								SM5289	SM5290	SB108	SB107
2002-04	RSX (Incl. Type S)	Right Hand		341376 (9)								SB108
		Left Hand		341376 (9)								SB108
1999-03	TL 3.2 (Including Type S)		341257	341258					SM5058	SM5058	SB108	SB107
1996-98	TL								SM5289	SM5059	SB108	SB107
2004-06	TSX										SB108	SB108

ACURA EL (Canadian Vehicle)												
2001-02	ALL	Right Hand	331008	341311			731003	741060		SM5058		
		Left Hand	331009	341311			731004	741060		SM5058		
1997-00	ALL		341203	341198			741023	741024	SM5058	SM5058		

ACURA Integra												
1994-01	ALL (Exc. TYPE-R)	Right Hand	341138	341094			741005	741007	SM5058	SM5058	SB108	SB108
		Left Hand	341139	341094			741006	741007	SM5058 SM5210	SM5058	SB108	SB108
	Front lower control arm shock bushing									SM5208		
	Rear lower control arm shock bushing											
1990-93	ALL	Right Hand	341135	341137			741008		SM5058	SM5058	SB108	SB108
		Left Hand	341136	341137			741009		SM5058	SM5058	SB108	SB108
	Rear lower control arm shock bushing								SM5210	SM5166		
1986-89	ALL		234027	341050					SM5293	SM5059	SB103	(2)
	Rear lower control arm shock bushing									SM5051		

ACURA Legend												
1991-95	Sedan and Coupe	Right Hand	344606	344608					SM5191	SM5192		SB107
		Left Hand	344607	344608					SM5191	SM5192		SB107
	Rear lower control arm shock bushing									SM5224		
1986-90	2DR Coupe	Right Hand	341112	341116					SM5058	SM5059	SB108	SB107
		Left Hand	341113	341116					SM5058	SM5059	SB108	SB107
	Rear lower control arm shock bushing									SM5051		
1989-90	4DR Sedan	Right Hand	341112	341116					SM5058	SM5059	SB108	SB107
		Left Hand	341113	341116					SM5058	SM5059	SB108	SB107
	Rear lower control arm shock bushing									SM5051		

Applications for Passenger Cars

VEHICLE MAKE, MODEL & YEAR	MARQUE, MODÉLÉ ET ANNÉE DU VÉHICULE	La MARCA el MODELO & AÑO	GR-2		Gas-a-Just		AGX		STRUT & SHOCK MOUNTS / KITS		BOOT KITS	
			FRONT	REAR	FRONT	REAR	FRONT	REAR	FRONT	REAR	FRONT	REAR
ACURA Legend Continued												
1986-88	4DR Sedan	Right Hand	341112	234044					SM5058	SM5288	SB108	SB107
		Left Hand	341113	234045					SM5058	SM5288	SB108	SB107
ACURA Vigor												
1992-94	ALL										SB108	SB107
ACURA Truck SLX > See Truck Section												
AMC Ambassador, Marlin, Matador, Rebel, Classic												
1970-78	ALL		343156	343149	KG4505	KG5522						
1967-69	ALL			343149								
1966	ALL			343149								
1962-65	ALL			343149								
AMC American, Rambler												
1967-69	ALL			343135	KG4503	KG5521						
1964-66	ALL			343135								
AMC Eagle												
1980-88	ALL		343156	343149	KG4505	KG5522						
AMC Gremlin, Hornet, Concord, Spirit (Includes AMX after 1978)												
1971-83	ALL		343156	344052	KG4505							
1970	ALL		343156	343130	KG4505	KG5507						
AMC Javelin, AMX												
1970-74	ALL		343156	343135	KG4505	KG5521						
1968-69	ALL			343135	KG4503	KG5521						
ASUNA Sedan SE/GT (Canadian Vehicle)												
1993-94	ALL		365025			KG4543					SB101	SB105
1992-94	Strut Mounting Kit								SM5378	SM5010		
ASUNA Sunfire (Canadian Vehicle)												
1993-94	ALL(Exc.Lotus Susp.)	Right Hand	234041	232033					SM5081	SM5105	SB102	SB105
		Left Hand	234042	232034					SM5081	SM5105	SB102	SB105
1993-94	ALL w/ Lotus Susp.	Right Hand	234041	332076					SM5081	SM5105	SB102	SB105
		Left Hand	234042	332077					SM5081	SM5105	SB102	SB105

Applications for Passenger Cars

VEHICLE MAKE, MODEL & YEAR	MARQUE, MODÉLÉ ET ANNÉE DU VÉHICULE	La MARCA el MODELO & AÑO	GR-2		Gas-a-Just		AGX		STRUT & SHOCK MOUNTS / KITS		BOOT KITS	
			FRONT	REAR	FRONT	REAR	FRONT	REAR	FRONT	REAR	FRONT	REAR
AUDI A4												
2003-04	A4 Cabriolet		341299 (9)	341814							SB122	
11/00-5/04	A4 (Sport & Non-sport susp) (Incl. A4 Quattro & Quattro Avant)		341299 (9)	341814							SB122	
2002-04	Strut Boot - A4 w/ Sport susp. (Incl. Cabriolet)										SB122	SB114
2002-04	Strut Boot - A4 w/o Sport susp.										SB122	SB124
2/99-11/00	A4 (w/ Sport Susp)			343302							SB122	SB114
2/99-11/00	A4 (w/o Sport Susp)		341904	343302							SB122	SB114
2/99-11/00	A4 Quattro w/o Sport susp.		341904	341909								
2/99-9/01	A4 Quattro Avant w/o Sport susp.		341904	341909								
2/99-11/00	A4 Quattro w/ Sport susp.			341909								
2/99-9/01	A4 Quattro Avant w/ Sport susp.			341909								
1996-01	Strut Mounting Kit (All, exc. Quattro Rear)								SM5236	SM5377	SB122	SB124
1995-1/99	Quattro		341904	341909								
1995-99	Sedan - Inc. Sport Susp.			343271								SB114
1995-99	Sedan - Exc. Sport Susp.		341904	343271							SB122	SB114

AUDI A6 & V8 Models												
1998-04	A6 Quattros		341207						SM5236	SM5237	SB122	
1998-04	A6 Models (Exc. Quattro)		341207	343281					SM5236	SM5237	SB122	
1995-97	A6 Models (Exc. Quattro)		366002	341133					SM5183	SM5237	SB105	
1995-97	A6 Quattros		366002	341205					SM5183	SM5237	SB105	
1995-97	Strut Mount Bearing (only)								SM5134			
1992-94	V8 Model		366002						SM5052		SB105	
1990-91	Strut Mounting Kit (V8 model only)								SM5249			

AUDI Fox												
1973-79	ALL (Exc. S/W)		364001						SM5011		SB103	
1973-79	S/W		364001			KG5532			SM5011		SB103	

AUDI S4, S6, S8												
1996-02	Strut Mounting Kit (All, exc. Quattro)								SM5236	SM5377	SB122	
1992-95	S4, exc. Quattro								SM5249		SB105	
2002-04	S6 Avant (Exc. Air Susp.)		341273								SB122	
2002-04	S6		341273								SB105	
1995-97	S6										SB122	
2001-03	S8										SB105	

AUDI TT (Exc. Quattro)												
2000-04	ALL			343280 (48)				743029	SM5181	SM5182	SB123	
				343348								

Applications for Passenger Cars

VEHICLE MAKE, MODEL & YEAR	MARQUE, MODÉLÉ ET ANNÉE DU VÉHICULE	La MARCA el MODELO & AÑO	GR-2		Gas-a-Just		AGX		STRUT & SHOCK MOUNTS / KITS		BOOT KITS	
			FRONT	REAR	FRONT	REAR	FRONT	REAR	FRONT	REAR	FRONT	REAR
AUDI 80/90 Series												
1994-95	Cabriolet		365008							SM5034		SB102
9/91-1995	ALL (Exc.Quattro)		365008	341130						SM5034		SB102
9/91-1995	Quattro (Exc. 20V)		365008							SM5034		SB101
1988-8/91	ALL (Exc.Quattro)		365008				KG9006			SM5034		SB101 (2)
1988-8/91	Quattro (Exc. 20V)		365008	366006						SM5034		SB101 SB105
AUDI 100 Series												
12/90-95	All (Exc.Quattro,S4,& Sport Susp.)		366002	341133						SM5183	SM5120	SB105 SB105
12/90	Quattro (Exc.Sport Susp.)		366002	341205						SM5183	SM5120	SB105 SB105
1991-94	Front Strut Mount Bearing (only)									SM5134		
88-11/90	All (Exc.Quattro)		366002	341016						SM5249		SB104 SB105
88-11/90	Quattro		366002							SM5249		SB101 SB105
1988-90	Front Strut Mount Bearing (only)									SM5071		
AUDI 200 Series												
1988-91	All (Exc.Quattro)		366002	341016						SM5052	SM5120	SB104
1988-91	Quattro		366002							SM5052	SM5120	SB101
1988-91	Front Strut Mount Bearing (only)									SM5071		
AUDI 4000, COUPE, 4000 Quattro												
1980-87	ALL(Exc.4000 Quattro)		365008				KG9006			SM5034		SB101 (2)
1984-87	4000 Quattro		365008	366006						SM5034		SB101 SB105
AUDI 5000, 5000 Quattro												
1984-88	ALL(Exc.5000 Quattro)		366002	341016						SM5052		SB104
1986-88	5000 Quattro		366002							SM5052		SB104
1980-83	ALL		366002	343013			KG5549			SM5052		SB104
1980-88	Front Strut Mount Bearing (only)									SM5071		
Late 79-88	Front Strut Mount Kit (Inc. turbo & 86-88 Quattro)									SM5249		
1977-79	ALL		366002	343013			KG5549					SB103
AVANTI II												
1989-91	ALL		343127	343130	KG4513	KG5507						
1986-88	ALL		343127	343157	KG4513	KG5548						
1963-85	ALL		343127		KG4550							
BERTONE												
1983-86	ALL		233003	233004								

Applications for Passenger Cars

VEHICLE MAKE, MODEL & YEAR	MARQUE, MODÉLÉ ET ANNÉE DU VÉHICULE	La MARCA el MODELO & AÑO	GR-2		Gas-a-Just		AGX		STRUT & SHOCK MOUNTS / KITS		BOOT KITS	
			FRONT	REAR	FRONT	REAR	FRONT	REAR	FRONT	REAR	FRONT	REAR
			BMW 1600/2, 2002, 2002Ti, 2002Tii									
1966-76	ALL (E10)		363013			KG5540			SM5080			
BMW 2500,2800, 3.0S Sedan, 3.0 Bavaria												
1969-76	ALL (E3)		365002			KG9303						SB107
BMW 2800 CS, 3.0 CS Coupe												
1969-76	ALL (E3)		365002			KG5541						
BMW 318 Serie (Exc. M-Technik Susp.)												
1995-99	318Ti (E36)	Right Hand	333909	343255		KG9136			SM5255	SM5013	SB101	SB107
		Left Hand	333910	343255		KG9136			SM5255	SM5013	SB101	SB107
1993-97	318ic (E36)								SM5255	SM5013	SB112	SB107
6/92-3/98	318i, 318iS (E36)	Right Hand	333909	343255		KG9136			SM5255	SM5013	SB112	SB107
		Left Hand	333910	343255		KG9136			SM5255	SM5013		SB107
1986-3/92	318ic, 318is (E30)			(1)		KG4539			SM5053	SM5013	SB105	
1983-85	318i (E30) (Exc. Sport Susp.) (45mm Housing)		363044			KG4539			SM5053	SM5013	SB105	
1983-85	318is (E30) (51mm Housing)		364021			KG4539			SM5053	SM5013	SB105	
BMW 320 Serie (Exc. M-Technik Susp.)												
1993-1/95	320i (E36)	Right Hand	334901	343255		KG9136			SM5255	SM5013		
		Left Hand	334902	343255		KG9136						
1977-83	320i (E21)		363016			KG9004			SM5080		SB112	SB113
BMW 323 Series (Exc. M-Technik Susp.)												
1999-00	323i (E46)	Right Hand	334945	343352					SM5260	SM5257	SB112	SB107
		Left Hand	334946	343352					SM5260	SM5257	SB112	SB107
2000	323Ci (E46) (Exc. Sport Susp.)	Right Hand	334945	343352					SM5260	SM5257	SB112	SB107
		Left Hand	334946	343352					SM5260	SM5257	SB112	SB107
1998-99	323ic / is (E36)								SM5255		SB112	SB107
BMW 325 Series (Exc. M-Technik Susp.)												
2001-04	325Ci, 325iT (E46) (Exc. Sport Susp.)	Right Hand	334945	343352					SM5260	SM5257	SB112	SB107
		Left Hand	334946	343352					SM5260	SM5257	SB112	SB107
2001-04	325i (E46)	Right Hand	334945						SM5260	SM5257	SB112	SB107
		Left Hand	334946						SM5260	SM5257	SB112	SB107
2/95-96	325i (E36)	Right Hand	333919	343255		KG9136			SM5255	SM5013	SB112	SB107
		Left Hand	333920	343255		KG9136			SM5255	SM5013	SB112	SB107
1992-96	325is (E36)					KG9136			SM5255	SM5013	SB101	SB107
6/92-1/95	325i, 325ic (E36)	Right Hand	334901	343255		KG9136			SM5255		SB112	SB107
		Left Hand	334902	343255		KG9136			SM5255		SB112	SB107

Applications for Passenger Cars

VEHICLE MAKE, MODEL & YEAR	MARQUE, MODÉLÉ ET ANNÉE DU VÉHICULE	La MARCA el MODELO & AÑO	GR-2		Gas-a-Just		AGX		STRUT & SHOCK MOUNTS / KITS		BOOT KITS	
			FRONT	REAR	FRONT	REAR	FRONT	REAR	FRONT	REAR	FRONT	REAR
			BMW 325 Series (Exc. M-Technik Susp.) Continued									
1988-91	325i , 325is (E30)		(1)			KG4539			SM5053	SM5013	SB105	
1988-91	325 ix - 4W/D (E30)					KG4539			SM5053	SM5013		
9/87-1988	325 , 325e (E30) (Exc. High Pressure Strut)		364021			KG4539			SM5053	SM5013	SB105	
9/87-1988	325 , 325e (E30) with High Pressure Strut NOTE:High Pressure Strut has 1 1/2" piston rod		(1)			KG4539			SM5053	SM5013		
1984-8/87	325, 325e (E30)		364021			KG4539			SM5053	SM5013	SB105	
BMW 328 Series (Exc. M-Technik Susp.)												
1999-00	328i , 328is (E46) (Inc. AWD)(Exc. Sport Sus.)	Right Hand	334945	343352					SM5260	SM5257	SB112	SB107
		Left Hand	334946	343352					SM5260	SM5257	SB112	SB107
2000	328Ci (E46)	Right Hand	334945	343352					SM5260	SM5257	SB112	SB107
		Left Hand	334946	343352					SM5260	SM5257	SB112	SB107
1996-99	328ic (E36)								SM5255	SM5013	SB112	SB107
2/95-3/98	328i (E36)	Right Hand	333919	343255		KG9136			SM5255	SM5013	SB112	
		Left Hand	333920	343255		KG9136			SM5255	SM5013	SB112	
BMW 330 Series (Exc. M-Technik Susp.)												
2001-04	330i (E46) (Exc. Sport Susp.)	Right Hand	334945	343352					SM5260	SM5257	SB112	SB107
		Left Hand	334946	343352					SM5260	SM5257	SB112	SB107
2001-04	330Ci (E46)								SM5260	SM5257	SB112	SB107
2001-03	330xi (E46)								SM5260	SM5257	SB112	SB107
BMW M3 Series												
2001-03	M3 (E46)									SM5257	SB112	SB107
1998-02	M Roadster/ Coupe (E46)	Right Hand							SM5258	SM5257	SB103	
		Left Hand							SM5259	SM5257	SB103	
1995-99	M3 (E36)	Right Hand							SM5258		SB103	SB107
		Left Hand							SM5259		SB103	SB107
1988-91	M3 (E30)		(1)			KG4539			SM5053	SM5013		
BMW 518 Series												
1989-95	518i (E34)								SM5053	SM5256		
BMW 524 Series (Exc. M-Technik Susp.)												
1989-95	524td (E34) (Exc. Adj susp.)								SM5053	SM5256		
8/90-9/92	524td (E34)		366007	341081								
85-2/88	524TD (E28)					KG9307			SM5053		SB105	SB107

Applications for Passenger Cars

VEHICLE MAKE, MODEL & YEAR	MARQUE, MODÉLÉ ET ANNÉE DU VÉHICULE	La MARCA el MODELO & AÑO	GR-2		Gas-a-Just		AGX		STRUT & SHOCK MOUNTS / KITS		BOOT KITS		
			FRONT	REAR	FRONT	REAR	FRONT	REAR	FRONT	REAR	FRONT	REAR	
BMW 525 Series (Exc. M-Technik Susp.)													
2001-03	525i (E39)									SM5260	SM5251	SB112	SB107
1993-95	525iT		366007	341081									
10/92-95	525i		365505 (9)	341081									
1992-95	525it (E34) (Exc. Adj susp.)		366007							SM5053	SM5256		
8/90-9/92	525tds (E34)		366007	341081						SM5053	SM5251		
7/90-9/92	525i (E34) (Exc. Self-Leveling & M-Tronic)		366007	341081						SM5053	SM5251	SB105	SB107
1990-6/90	525i (E34)		366005	341081						SM5053	SM5251	SB105	SB107
1/88-1989	525i (E34)		366005	341081						SM5053	SM5251	SB105	

BMW 528 Series													
1997-00	528i (E39) (Exc. EDC susp)									SM5260	SM5251	SB112	SB107
1997-00	528i EDC susp. Only									SM5261		SB112	SB107
7/90-9/92	528i (E34) (Exc. Self-Leveling & M-Tronic)		366007	341081								SB105	
1990-6/90	528i (E34)		366005	341081								SB105	
1/88-1989	528i (E34)		366005	341081								SB105	
1982-88	528E (E28) (Exc. Bilstein Equipped)		365043				KG9307			SM5053		SB105	SB107
1979-81	528i (E12)		365002				KG9303					SB105	SB107

BMW 530 Series (Exc. M-Technik Susp.)													
2001-03	530i (E39)									SM5260	SM5251	SB112	SB107
1994-95	530it (E34)		366007								SM5256	SB112	
1994-95	530i (E34) (Exc. Self-leveling & M-Tronic)		366007	341081							SM5256	SB105	
1975-78	530i (E12)		365002				KG9302					SB105	SB107

BMW 533 Series													
1983-84	533i (E28)		365043				KG9307			SM5053		SB105	SB107

BMW 535 Series (Exc. M-Technik Susp.)													
1989-93	535i, 535is (E34) (Exc. Adj susp.)									SM5053	SM5256	SB112	SB107
7/90-9/92	535i (E34) (Exc. Self-Leveling & M-Tronic)		366007	341081						SM5053	SM5256	SB105	SB107
1/88-6/90	535i (E34)		366005	341081								SB105	
85-12/87	535i, 535is (E28) (Exc. M5)		365043				KG9307			SM5053		SB105	SB107

BMW 540 Series													
1997-03	540i (E39) (Exc. EDC Susp.)			341913						SM5261	SM5251	SB112	SB107
1997-9/03	540iT			341913							SM5250	SB112	SB108
1994-95	540i (E34) (Exc. Self-leveling & M-Tronic)		366007								SM5256	SB105	SB107

BMW M5-Series													
2000-03	M5 (E39) (w/ M susp.)									SM5261	SM5250	SB112	SB101

Applications for Passenger Cars

VEHICLE MAKE, MODEL & YEAR	MARQUE, MODÉLÉ ET ANNÉE DU VÉHICULE	La MARCA el MODELO & AÑO	GR-2		Gas-a-Just		AGX		STRUT & SHOCK MOUNTS / KITS		BOOT KITS		
			FRONT	REAR	FRONT	REAR	FRONT	REAR	FRONT	REAR	FRONT	REAR	
BMW 630 Series													
1979-82	630Csi (E24)		365024			KG9303					SB105	SB107	
1976-	630Csi (E24)		365002			KG9303					SB105	SB107	
BMW 633 Series													
1979-82	633Csi (E24)		365024			KG9303					SB105	SB107	
1976-	633Csi (E24)		365002			KG9303					SB105	SB107	
BMW 635 Series													
1990	635Csi (E24) (Exc.Bilstein Equipped)		365043			KG9307					SB105	SB107	
1985-89	635Csi (E24) (Exc.Bilstein Equipped)		365043			KG9307			SM5053		SB105	SB107	
BMW 730 Series (Exc. M-Technik Susp.)													
8/90-94	730, 735 (E32) (Exc.Self-Leveling & M-Tronic)		366007	341129						SM5121	SB105	SB107	
1977-81	733i (E23)		365024			KG9308					SB105	SB107	
1982-8/86	733i,735i,L7 (E23) (Exc.Self-Leveling)		365024	341043							SB105	SB107	
BMW 735 Series (Exc. M-Technik Susp.)													
8/90-92	735i, 735il (E32) (Exc.Self-Leveling & M-Tronic)		366007							SM5121	SB105		
3/88-7/90	735i, 735il (E32) (Exc.Self-Leveling & M-Tronic)		366005	341129						SM5121	SB105	SB107	
9/86-2/88	735i, 735il (E32) (Exc.Self-Leveling & M-Tronic)		365082	341129						SM5121	SB105	SB107	
BMW 740 Series (Exc. M-Technik Susp.)													
1995-01	740i (E38) (Exc. Level control / EDC susp)	Right Hand	335906	341211						SM5252	SM5250	SB102	SB107
		Left Hand	335907	341211						SM5252	SM5250	SB102	SB107
1993-94	740i (E32) (Exc. Self-Leveling & M-Tronic)		366007	341129							SM5121	SB105	SB107
1993-94	740il (E32)		366005								SM5121	SB105	
BMW 745 Series													
2002-05	745 (E65) (w/ EDC)											SB112	
BMW 750 Series (Exc. M-Technik Susp.)													
1994-01	750il (E38) (Exc. Elec. Susp.)	Right Hand	335906							SM5252			SB107
		Left Hand	335907							SM5252			SB107
7/90-1994	750i, 750il (E32) (Exc.Self-Leveling & M-Tronic)		366005									SB105	
1988-6/90	750i, 750il (E32) (Exc.Self-Leveling & M-Tronic)		366005									SB105	
BMW 760 Series													
2003-05	760li w/ EDC											SB112	

Applications for Passenger Cars

VEHICLE MAKE, MODEL & YEAR	MARQUE, MODÉLÉ ET ANNÉE DU VÉHICULE	La MARCA el MODELO & AÑO	GR-2		Gas-a-Just		AGX		STRUT & SHOCK MOUNTS / KITS		BOOT KITS		
			FRONT	REAR	FRONT	REAR	FRONT	REAR	FRONT	REAR	FRONT	REAR	
			BMW Z3, Z4, Z8 Series										
2000-04	Z3 Coupe/ Convertible - Strut Mounting Kit									SM5260	SM5257		
2003	Z3	Right Hand	334604	343330									
		Left Hand	334605	343330									
1998-02	Z3	Right Hand	334604	343330						SM5255	SM5257	SB112	SB108
		Left Hand	334605	343330						SM5255	SM5257	SB112	SB108
1996-97	Z3	Right Hand	334604	343330						SM5255	SM5013	SB112	SB108
		Left Hand	334605	343330						SM5255	SM5013	SB112	SB108
2003	Z4 Strut Mount Kit										SM5257		
2000-03	Z8									SM5261		SB104	SB108

BRICKLIN													
1974-76	ALL		343146	343219	KG4517	KG5517							

BUICK Full Size - Electra, Park Avenue, LeSabre, Roadmaster (Exc. Elect. Adj. Susp.)													
2000-05	LeSabre w/ Self-Leveling Rear		335037							SM5276	SM5334	SB103	
2002-05	Front Upper Springseat and Insulator									SM5435			
2000-05	Lower Springseat Insulator									SM5437			
2000-01	Front Upper Springseat and Insulator									SM5436			
1998-05	Park Avenue w/ Self-Leveling Rear		335045							SM5276	SM5334	SB101	
2002-05	Front Upper Springseat and Insulator									SM5435			
1997-05	Lower Springseat Insulator									SM5437			
1998-01	Front Upper Springseat and Insulator									SM5436			
1991-99	LeSabre w/o Self-Leveling Rear		236007	235025						SM5057	SM5017	SB104	SB104
1991-99	LeSabre with Self-Leveling Rear		236007	(21)						SM5057	SM5017	SB104	
1991-99	Front Strut Upper Springseat w/ Insulator									SM5230			
1990-99	Lower Springseat Insulator fits the 2nd Design Springseat without bracket (LeSabre)									SM5412			
1992-96	Roadmaster Sedan		343127	343130	KG4515	KG5507							
1991-96	Electra, Park Avenue w/F.W.D.		236007	(21)						SM5057	SM5017	SB104	
1991-96	Front Strut Upper Springseat w/ Insulator									SM5230			
1991-96	Lower Springseat Insulator (Electra, Park Avenue)									SM5412			
1987-96	Strut Mount Bearing only									SM5284			
1987-90	Electra, Park Avenue w/F.W.D.		236002	(21)						SM5026	SM5017	SB105	
1985-86	Electra, Park Avenue w/F.W.D.		236002	(21)							SM5017	SB105	
1986- Early 90	Strut Mounting Kit (LeSabre)									SM5281			
1986-90	Lower Springseat Insulator fits the 1st Design Springseat with bracket (LeSabre)									SM5411			
1986-90	Springseat (Electra, LeSabre)									SM5350			
1985-90	Strut Mounting Kit (Electra, Park Avenue)									SM5281			
1985-90	Lower Springseat Insulator (Electra, Park Avenue)									SM5411			

Applications for Passenger Cars

VEHICLE MAKE, MODEL & YEAR	MARQUE, MODÉLÉ ET ANNÉE DU VÉHICULE	La MARCA el MODELO & AÑO	GR-2		Gas-a-Just		AGX		STRUT & SHOCK MOUNTS / KITS		BOOT KITS		
			FRONT	REAR	FRONT	REAR	FRONT	REAR	FRONT	REAR	FRONT	REAR	
			BUICK Full Size - Electra, Park Avenue, LeSabre, Roadmaster (Exc. Elect. Adj. Susp.) CONTINUED										
1990	LeSabre Early Design Front Struts with Spring Guard - with Self-leveling Rear - w/o Self-leveling Rear		236002	(21)						SM5026	SM5017	SB105	
			236002	235025						SM5026	SM5017	SB105	SB104
1990	LeSabre Late Design Front Struts without Spring Guard - with Self-leveling Rear - w/o Self-leveling Rear		236007	(21)						SM5057	SM5017	SB104	
			236007	235025						SM5057	SM5017	SB104	SB104
1987-89	LeSabre w/o Self-Leveling Rear		236002	235025						SM5026	SM5017	SB105	SB104
1987-89	LeSabre with Self-Leveling Rear		236002	(21)						SM5026	SM5017	SB105	
1986	LeSabre w/o Self-Leveling Rear		236002	235025							SM5017	SB105	SB104
1986	LeSabre with Self-Leveling Rear		236002	(21)							SM5017	SB105	
1977-85	ALL RWD Models (Exc.S/W)		343127	343130	KG4515	KG5507							
1977-96	S/W		343127	343157	KG4515	KG5504							
1971-76	ALL (Exc.S/W)		343127	343130	KG4515	KG5507							
1971-76	S/W		343127	343157	KG4515								
1970	ALL (Exc.S/W)					KG5508							
1970	S/W			343130		KG5507							
1965-69	ALL					KG5508							

BUICK Allure (Canadian Vehicle)													
2005	Strut Mounting Kit with boot	Right Hand									SM5399	SB127	SB128
		Left Hand									SM5398	SB127	SB128
2005	Universal Rear Strut Mount Kit with boot										SM5394	SB127	SB128

BUICK Apollo, Skylark (Includes Special Thru 1972)													
1995-98	ALL (w/o swaybar brkt.)	Right Hand	235604	343402		KG4552				SM5142	SM5010	SB104	
		Left Hand	235605	343402		KG4552				SM5142	SM5010	SB104	
1995-98	ALL (w/ swaybar brkt.)	Right Hand		343402		KG5576				SM5142	SM5010	SB104	
		Left Hand		343402		KG5576				SM5142	SM5010	SB104	
1995-98	Front Strut Upper Springseat w/ Insulator									SM5228			
1992-98	Strut Mount Bearing only (exc. Elect. Susp.)									SM5284			
1992-94	ALL (w/o swaybar brkt.)	Right Hand	235604	343177		KG4536				SM5073	SM5010	SB104	
		Left Hand	235605	343177		KG4536				SM5073	SM5010	SB104	
1992-94	ALL (w/ swaybar brkt.)	Right Hand		343177		KG4536				SM5073	SM5010	SB104	
	(Exc. Adj. Susp.)	Left Hand		343177		KG4536				SM5073	SM5010	SB104	
1987-91	ALL	Right Hand	231013	343177		KG4536				SM5007	SM5010	SB104	
		Left Hand	231014	343177		KG4536				SM5007	SM5010	SB104	
1985-91	Springseat	Right Hand								SM5349			
		Left Hand								SM5348			
1986	ALL w/ Sealed Struts	Right Hand	231013	343177		KG4536				SM5007	SM5010	SB104	
		Left Hand	231014	343177		KG4536				SM5007	SM5010	SB104	
1986	ALL w/Rebuildable Struts		366003 (18)	343177		KG4536				SM5007	SM5010	SB104	

Applications for Passenger Cars

VEHICLE MAKE, MODEL & YEAR	MARQUE, MODÉLÉ ET ANNÉE DU VÉHICULE	La MARCA el MODELO & AÑO	GR-2		Gas-a-Just		AGX		STRUT & SHOCK MOUNTS / KITS		BOOT KITS	
			FRONT	REAR	FRONT	REAR	FRONT	REAR	FRONT	REAR	FRONT	REAR
			BUICK Apollo, Skylark (Includes Special Thru 1972) CONTINUED									
1985	ALL		234019	343160					SM5056	SM5010	SB104	
1984	ALL w/H.D.Suspension		234019	343160					SM5056	SM5010	SB104	
1982-84	ALL(Exc.84 H.D.Susp.)		234002	343160					SM5056	SM5010	SB104	
1984-85	Front Strut Upper Springseat w/ Insulator								SM5229			
1980-81	ALL		234002	343160							SB104	
1974-79	ALL		343127	343132	KG4515							
1973	ALL (Exc.H.D.Suspension)		343127	343132	KG4515							
1973	w/H.D. Suspension		343127	343157	KG4515							
1970-72	ALL		343127	343157	KG4513							
1968-69	ALL (Exc.Sportwagon)		343127	343157	KG4513							
1968-69	Sportwagon		343127	343135	KG4513							
1967	ALL (Exc.H.D.Susp.& Sportwagon)		343128	343130	KG4515							
1967	ALL w/H.D.Suspension		343128	343130	KG4515							
1967	Sportwagon		343128	343135	KG4515							
1964-66	ALL (Exc.Sportwagon)		343128	343130	KG4515							
1964-66	Sportwagon		343128	343135	KG4515							

BUICK Century, Special (From 1973)													
1997-05	Century	Right Hand	334227	334228				734058	734059	SM5143	SM5399	SB127	SB128
		Left Hand	334227	334228				734058	734059	SM5143	SM5398	SB127	SB128
1997-05	Universal Rear Strut Mount Kit with boot										SM5394		
1990-96	ALL		234019	343160						SM5043	SM5010	SB104	
1985-89	ALL		234019	343160						SM5056	SM5010	SB104	
1984	ALL w/H.D.Suspension		234019	343160						SM5056	SM5010	SB104	
1982-84	ALL(Exc.84 H.D.Susp.)		234002	343160						SM5056	SM5010	SB104	
1984-96	Front Strut Upper Springseat w/ Insulator									SM5229			
1978-81	ALL		343127	343157	KG4513								
1973-77	ALL		343127	343157	KG4513								
1973-77	S/W		343127	343157	KG4513								

BUICK LaCrosse													
2005	Strut Mounting Kit with boot	Right Hand									SM5399	SB127	SB128
2005	Strut Mounting Kit with boot	Left Hand									SM5398	SB127	SB128
2005	Universal Rear Strut Mount Kit with boot										SM5394	SB127	SB128

BUICK Rainier > See Truck Section

BUICK Reatta													
1988	ALL		236004							SM5114	SM5275	SB105	
1990-93	Strut Mounting Kit									SM5279	SM5275		
1990-93	Strut Mount Bearing only									SM5284	SM5275		

Applications for Passenger Cars

VEHICLE MAKE, MODEL & YEAR	MARQUE, MODÉLÉ ET ANNÉE DU VÉHICULE	La MARCA el MODELO & AÑO	GR-2		Gas-a-Just		AGX		STRUT & SHOCK MOUNTS / KITS		BOOT KITS	
			FRONT	REAR	FRONT	REAR	FRONT	REAR	FRONT	REAR	FRONT	REAR
BUICK Regal, Grand National												
1997-04	Regal	Right Hand	334227	334228			734058	734059	SM5143	SM5399	SB127	SB128
		Left Hand	334227	334228			734058	734059	SM5143	SM5398	SB127	SB128
1997-04	Universal Rear Strut Mount with boot									SM5394		
1990-96	Regal (FWD) w/ Std. Suspension		366004 (20)	236003					SM5029	SM5016	SB104	SB106
1990-96	Regal (FWD) w/ H.D. Suspension		366004 (20)	236003					SM5030	SM5016	SB104	SB106
1988-96	Front Strut Mount Bearing								SM5083			
1988-96	Front Strut Lower Springseat (Left Hand)								SM5225			
1988-96	Front Strut Lower Springseat (Right Hand)								SM5226			
1988-96	Springseat w/ Bearing								SM5384			
		Right Hand							SM5383			
		Left Hand								SM5277		
1988-96	Rear Strut Mounting Kit											
1988-89	Regal (FWD) w/ Std. Suspension		366004 (20)	236003					SM5025	SM5016	SB104	SB106
1988-89	Regal (FWD) w/ H.D. Suspension		366004 (20)	236003					SM5031	SM5016	SB104	SB106
1978-87	ALL(Exc.Grand National)		343127	343157	KG4513	KG5548						
1984-87	Grand National, GNX				KG4513	KG5548						

BUICK Rendezvous > See Truck Section

BUICK Riviera												
1998-99	ALL		335037						SM5276	SM5334	SB101	
1995-97	Front Strut Upper Springseat w/ Insulator								SM5230			
1995-97	Strut Mounting Kit								SM5286	SM5334		
1990-97	Strut Mount Bearing only								SM5284			
1995-96	ALL		236007						SM5286	SM5334	SB101	
1995-96	Lower Springseat Insulator								SM5412			
1990-93	Strut Mounting Kit								SM5279			
1986-93	Rear Strut Mounting Kit									SM5275		
1986-89	ALL		236004						SM5114	SM5275	SB105	
1979-85	ALL				KG4531	KG5573 (25)						
1971-78	ALL		343127	343130	KG4515	KG5507						
1963-65	ALL		343127		KG4550							

BUICK Skyhawk												
1987-89	ALL		Right Hand	231013	343177		KG4536			SM5007	SM5010	SB104
			Left Hand	231014	343177		KG4536			SM5007	SM5010	SB104
1982-87	Springseat		Right Hand							SM5348		
			Left Hand							SM5348		
1984-86	ALL w/Sealed Struts		Right Hand	231013	343177		KG4536			SM5007	SM5010	SB104
			Left Hand	231014	343177		KG4536			SM5007	SM5010	SB104
1984-86	ALL w/Rebuildable Struts			366003 (18)	343177		KG4536			SM5007	SM5010	SB104
1982-83	ALL			365038 (18)	343177		KG4536			SM5007		SB104
1975-80	ALL			343129	343132							

Applications for Passenger Cars

VEHICLE MAKE, MODEL & YEAR	MARQUE, MODÉLÉ ET ANNÉE DU VÉHICULE	La MARCA el MODELO & AÑO	GR-2		Gas-a-Just		AGX		STRUT & SHOCK MOUNTS / KITS		BOOT KITS	
			FRONT	REAR	FRONT	REAR	FRONT	REAR	FRONT	REAR	FRONT	REAR
BUICK Skylark > See Apollo, Skylark												

BUICK Somerset, Somerset Regal												
1987-88	ALL	Right Hand	231013	343177						SM5007	SM5010	SB104
		Left Hand	231014	343177						SM5007	SM5010	SB104
1985-86	ALL w/Sealed Struts	Right Hand	231013	343177						SM5007	SM5010	SB104
		Left Hand	231014	343177						SM5007	SM5010	SB104
1985-86	ALL w/Rebuildable Struts		366003	343177						SM5007	SM5010	SB104

CADILLAC Full Size - Calais, DeVille, Fleetwood, Broughmn (Exc. Adj. Susp.)												
2000-04	DeVille, DeVille DHS, DeVille DTS		335037							SM5276	SM5334	SB103
2000-04	Strut Mount Kit with Bearing (Deville,Hearse, Limo)									SM5276		
2000-04	Strut Mount (Deville,Hearse, Limo)										SM5334	
2000-04	Lower Springseat Insulator (DeVille, Limo, Hearse)									SM5437		
1997-99	Strut Mounting Kit (Limousine,Hearse)									SM5282		
1997-99	Strut Mount Bearing only(Limousine, Hearse)									SM5284		
1995-99	Strut Mounting Kit (Concours)									SM5282		
1995-99	Strut Mount Bearing only (Concours)									SM5284		
1994-99	Strut Mounting Kit (Deville)									SM5282		
1985-95	Limousine w/ Rear Wheel Drive				KG4515	KG5507						
1977-95	ALL RWD (Exc.Limousine)		343127	343130	KG4515	KG5507						
1991-93	ALL FWD with Self-Leveling Rear		236007							SM5057	SM5017	SB104
1991-93	ALL FWD w/o Self-Leveling Rear		236007	235025						SM5057	SM5017	SB104 SB104
1991-93	Strut Upper Springseat w/ Insulator									SM5230		
1991-93	Strut Mount Brg only (Fleetwood exc. FE1, F41 ,FX3)									SM5284		
1991-93	Lower Springseat Insulator (DeVille, Fleetwood)									SM5412		
1987-99	Strut Mount Bearing only (Deville)									SM5284		
1987-90	Strut Mount Bearing only (Fleetwood FWD)									SM5284		
1987-90	Springseat									SM5350		
1987-90	ALL FWD with Self-Leveling Rear		236002							SM5026	SM5017	SB105
1987-90	ALL FWD w/o Self-Leveling Rear		236002	235025						SM5026	SM5017	SB105 SB104
1985-90	Strut Mounting Kit									SM5281		
1985-90	Lower Springseat Insulator (DeVille, Fleetwood)									SM5411		
1985-86	ALL FWD with Self-Leveling Rear		236002							SM5281	SM5017	SB105
1985-86	ALL FWD w/o Self-Leveling Rear		236002	235025						SM5281	SM5017	SB105 SB104
1977-84	Limousine				KG4515							
1971-76	ALL (Exc.Commercial Chassis)					KG5508						
1956-60	ALL (Exc.Commercial Chassis)				KG4515							

STEERING STABILIZERS		
YEAR	APPLICATION	PART NUMBER
1977-95	Cadillac RWD (Fleetwood, Limousine, Comm.)	SS10200

Applications for Passenger Cars

VEHICLE MAKE, MODEL & YEAR	MARQUE, MODÉLÉ ET ANNÉE DU VÉHICULE	La MARCA el MODELO & AÑO	GR-2		Gas-a-Just		AGX		STRUT & SHOCK MOUNTS / KITS		BOOT KITS	
			FRONT	REAR	FRONT	REAR	FRONT	REAR	FRONT	REAR	FRONT	REAR
			CADILLAC Allante									
1987-93	Strut Mounting Kit (Exc. Electronic susp.)									SM5279	SM5275	
1987-93	Strut Mounting Bearing only (Exc. Electronic susp.)									SM5284		
1987-88	ALL	236004								SM5114	SM5275	SB105
CADILLAC Catera												
2000-01	All		334903							SM5285	SM5287	SB101
1997-99	All exc. SPORT		334903							SM5285	SM5287	
CADILLAC Cimarron												
1986-88	ALL	Right Hand	231013	343177		KG4536				SM5007	SM5010	SB104
		Left Hand	231014	343177		KG4536				SM5007	SM5010	SB104
1984-85	ALL w/Sealed Struts	Right Hand	231013	343177		KG4536				SM5007	SM5010	SB104
		Left Hand	231014	343177		KG4536				SM5007	SM5010	SB104
1984-86	ALL w/Rebuildable Struts		366003 (18)	343177		KG4536				SM5007	SM5010	SB104
1982-83	ALL		365038 (18)	343177		KG4536						SB104
1982-87	Springseat									SM5348		
CADILLAC Eldorado												
1993-02	Strut Mounting Kit									SM5282		
1987-02	Strut Mount Bearing only									SM5284		
1987-92	Strut Mounting Kit									SM5279	SM5275	
1986-89	ALL		236004							SM5114		SB105
1979-85	ALL				KG4531	KG5573 (25)						
1971-78	ALL			343130	KG4501	KG5507						
1967-70	ALL				KG4501							
CADILLAC Escalade > See Truck Section												
CADILLAC Seville												
1998-04	Front Strut Mounting Kit									SM5276	SM5334	
1993-97	Front Strut Mounting Kit									SM5282		
1987-97	Strut mount Bearing only									SM5284		
1987-92	Strut Mounting Kit									SM5279	SM5275	
1986-89	ALL		236004							SM5114		SB105
1980-85	ALL				KG4531	KG5573 (25)						
1975-79	ALL		343127	343132	KG4513	KG5506 (25)						
CHECKER												
1974-82	ALL (Exc.Aerobus)				KG5404	KG5429						

Applications for Passenger Cars

VEHICLE MAKE, MODEL & YEAR	MARQUE, MODÉLÉ ET ANNÉE DU VÉHICULE	La MARCA el MODELO & AÑO	GR-2		Gas-a-Just		AGX		STRUT & SHOCK MOUNTS / KITS		BOOT KITS	
			FRONT	REAR	FRONT	REAR	FRONT	REAR	FRONT	REAR	FRONT	REAR
			CHEVROLET Full Size - Impala (Thru 1996), Caprice, BelAir									
1971-96	Sedan (Exc. Police Car & Taxi)		343127	343130	KG4515	KG5507						
1971-96	Police Car, Taxi & Impala SS		344081	343130	KG5458	KG5507						
1977-96	S/W		343127	343157	KG4515	KG5504						
1971-76	S/W		343127	343157	KG4515							
1967-70	ALL		343128	343130	KG4515	KG5507						
1965-66	ALL (Exc.H.D.Suspension & S/W)		343128	343130	KG4515	KG5507						
1965-66	S/W & w/H.D.Suspension		343128	343130	KG4515							
1958-64	ALL (Exc.58-60 Air Suspension)		343127	343130	KG4550	KG5507						
1955-57	ALL		343127	343149	KG4550	KG5522						

CHEVROLET Aveo												
2004-06	ALL	Right Hand	TBA	343423								
		Left Hand	TBA	343423								

CHEVROLET Beretta												
1995-96	ALL (w/o swaybar brkt.)	Right Hand	235604	343402		KG4552			SM5142	SM5010	SB104	
		Left Hand	235605	343402		KG4552			SM5142	SM5010	SB104	
1995-96	ALL (w/ swaybar brkt.)	Right Hand		343402		KG5576			SM5144	SM5010	SB104	
		Left Hand		343402		KG5576			SM5144	SM5010	SB104	
1994-96	Front Strut Upper Springseat w/ Insulator								SM5228			
1987-96	Lower Springseat with Insulator								SM5431			
1992-96	Strut Mount Bearing only								SM5284			
1992-94	ALL (w/o swaybar brkt.)	Right Hand	235604	343177		KG4536			SM5073	SM5010	SB104	
		Left Hand	235605	343177		KG4536			SM5073	SM5010	SB104	
1992-94	ALL (w/ swaybar brkt.)	Right Hand		343177		KG4536			SM5073	SM5010	SB104	
		Left Hand		343177		KG4536			SM5073	SM5010	SB104	
1987-91	ALL	Right Hand	231013	343177		KG4536			SM5033	SM5010	SB104	
		Left Hand	231014	343177		KG4536			SM5033	SM5010	SB104	
1992-93	Springseat								SM5349			
1987-91	Springseat								SM5348			

CHEVROLET Camaro, Z28, IROC												
1993-02	ALL	Right Hand	341356	343211	KG9310	KG5562	741034	743019	SM5119		SB103	
		Left Hand	341356	343211	KG9310	KG5562	741034	743019	SM5118		SB103	
1982-92	ALL	Right Hand	236001	343211		KG5562	735001	743019	SM5028			
		Left Hand	236001	343211		KG5562	735001	743019	SM5027			
1970-81	ALL		343128	343131	KG4515	KG5526						
1968-69	w/Single Leaf Spring		343127	343135 (7)	KG4515	KG5524						
1968-69	w/Multi Leaf Spring		343127	343135	KG4515	KG5521						
1967	ALL		343127	343135 (7)	KG4515	KG5524						

Applications for Passenger Cars

VEHICLE MAKE, MODEL & YEAR	MARQUE, MODÉLÉ ET ANNÉE DU VÉHICULE	La MARCA el MODELO & AÑO	GR-2		Gas-a-Just		AGX		STRUT & SHOCK MOUNTS / KITS		BOOT KITS	
			FRONT	REAR	FRONT	REAR	FRONT	REAR	FRONT	REAR	FRONT	REAR
CHEVROLET Cavalier, Z24												
1999-05	ALL		334316	341244			734038	741061	SM5283	SM5147	SB101	
1995-05	Lower Springseat Insulator								SM5418			
1995-98	ALL (Exc. 16" Wheels)		334226 (8)	341244			734038	741061	SM5142	SM5147	SB101	
1995-98	ALL with 16" Wheels		334316	341244			734038	741061	SM5142	SM5147	SB101	
1995-98	Strut Mount Bearing only								SM5284			
1995-98	Upper Springseat Insulator								SM5419			
1992-94	ALL	Right Hand	231013	343177		KG4536			SM5033	SM5010	SB103	
		Left Hand	231014	343177		KG4536			SM5033	SM5010	SB103	
1982-94	Upper Springseat with Insulator								SM5348			
1987-91	ALL	Right Hand	231013	343177		KG4536			SM5007	SM5010	SB104	
		Left Hand	231014	343177		KG4536			SM5007	SM5010	SB104	
1984-86	ALL w/Sealed Struts	Right Hand	231013	343177		KG4536			SM5007	SM5010	SB104	
		Left Hand	231014	343177		KG4536			SM5007	SM5010	SB104	
1986	ALL w/ Rebuildable Struts		366003 (18)	343177		KG4536			SM5007	SM5010	SB104	
1985	ALL		366003 (18)	343177		KG4536			SM5007	SM5010	SB104	
1984	ALL		366003 (18)	343177		KG4536			SM5007	SM5010	SB104	
1982-83	ALL		365038 (18)	343177		KG4536			SM5007		SB104	

CHEVROLET Celebrity												
1990	ALL		234019	343160		KG5555			SM5043	SM5010	SB104	
1985-89	ALL		234019	343160		KG5555			SM5056	SM5010	SB104	
1984	ALL w/H.D.Suspension		234019	343160		KG5555			SM5056	SM5010	SB104	
1984	ALL w/Std.Suspension		234002	343160		KG5555			SM5056	SM5010	SB104	
1984-90	Front Strut Upper Springseat w/ Insulator								SM5229			
1982-83	ALL		234002	343160		KG5555			SM5056		SB104	

CHEVROLET Chevelle, Malibu (also see Malibu FWD)												
1978-83	ALL		343127	343157	KG4513	KG5548						
1973-77	ALL (Exc.S/W)		343127	343157	KG4513	KG5504						
1973-77	S/W		343127	343157	KG4513							
1968-72	ALL		343127	343157	KG4513	KG5504						
1964-67	ALL		343128	343130	KG4515	KG5507						

CHEVROLET Chevette												
1976-87	ALL		343145	343147								

Applications for Passenger Cars

VEHICLE MAKE, MODEL & YEAR	MARQUE, MODÉLÉ ET ANNÉE DU VÉHICULE	La MARCA el MODELO & AÑO	GR-2		Gas-a-Just		AGX		STRUT & SHOCK MOUNTS / KITS		BOOT KITS	
			FRONT	REAR	FRONT	REAR	FRONT	REAR	FRONT	REAR	FRONT	REAR
CHEVROLET Citation, X11												
1985	ALL		234019	343160		KG5555			SM5056	SM5010	SB104	
1984	X11 & H.D.Suspension		234019	343160		KG5555			SM5056	SM5010	SB104	
1984	ALL w/Std.Suspension		234002	343160		KG5555			SM5056	SM5010	SB104	
1984-85	Front Strut Upper Springseat w/ Insulator								SM5229			
1982-83	ALL		234002	343160		KG5555			SM5056		SB104	
1980-81	ALL		234002	343160		KG5555					SB104	

CHEVROLET Classic													
2004-05	Sedan		334229	334295				734056	734057	SM5146	SM5145	SB104	SB101
2004-05	Lower Springseat Insulator									SM5420			

Chevrolet Colorado > See Truck Section

CHEVROLET Corsica													
1995-96	ALL (w/o swaybar brkt.)	Right Hand	235604	343402		KG4552				SM5142	SM5010	SB104	
		Left Hand	235605	343402		KG4552				SM5142	SM5010	SB104	
1995-96	ALL (w/ swaybar brkt.)	Right Hand		343402		KG5576				SM5142	SM5010	SB104	
		Left Hand		343402		KG5576				SM5142	SM5010	SB104	
1995-96	Front Strut Upper Springseat w/ Insulator									SM5228			
1992-96	Strut Mount Bearing only									SM5284			
1992-94	ALL (w/o swaybar brkt.)	Right Hand	235604	343177		KG4536				SM5073	SM5010	SB104	
		Left Hand	235605	343177		KG4536				SM5073	SM5010	SB104	
1992-94	ALL (w/ swaybar brkt.)	Right Hand		343177		KG4536				SM5073	SM5010	SB104	
		Left Hand		343177		KG4536				SM5073	SM5010	SB104	
1987-91	ALL	Right Hand	231013	343177		KG4536				SM5033	SM5010	SB104	
		Left Hand	231014	343177		KG4536				SM5033	SM5010	SB104	
1992-94	Springseat									SM5349			
1987-91	Springseat									SM5348			

CHEVROLET Corvette													
1989-96	ALL (Exc.Adj.Suspension) (Footnote # 22)					KG5570	KG5571						
1988	ALL					KG5569	KG5571						
1984-87	ALL					KG4537	KG5564						
1963-82	ALL		343127	343218		KG4550	KG5501						
1953-62	ALL			343211		KG4503	KG5562						

CHEVROLET El Camino > See Truck Section

Applications for Passenger Cars

VEHICLE MAKE, MODEL & YEAR	MARQUE, MODÉLÉ ET ANNÉE DU VÉHICULE	La MARCA el MODELO & AÑO	GR-2		Gas-a-Just		AGX		STRUT & SHOCK MOUNTS / KITS		BOOT KITS	
			FRONT	REAR	FRONT	REAR	FRONT	REAR	FRONT	REAR	FRONT	REAR
CHEVROLET Full Size - Impala												
2000-05	Impala	Right Hand	334227	334228			734058	734059	SM5143	SM5399	SB127	SB128
		Left Hand	334227	334228			734058	734059	SM5143	SM5398	SB127	SB128
2000-05	Universal Rear Strut Mount with boot									SM5394		
2000-06	Lower Springseat with Insulator								SM5437	SM5440		

CHEVROLET Lumina (Exc.APV)												
2000-01	ALL	Right Hand	366004 (20)	334228				734059	SM5143	SM5397	SB104	SB104
		Left Hand	366004 (20)	334228				734059	SM5143	SM5396	SB104	SB104
2000-01	Strut Mounting Kit, Springseat, Bearing								SM5384			
		Right Hand							SM5383			
		Left Hand								SM5393		
1995-01	Rear Strut Mounting Kit with boot									SM5117		
1995-01	Universal Rear Strut Mount											
1995-99	ALL w/ Std. Suspension	Right Hand	366004 (20)	335014					SM5029	SM5397	SB104	SB104
		Left Hand	366004 (20)	335014					SM5029	SM5396	SB104	SB104
1995-99	ALL w/ H.D. Suspension	Right Hand	366004 (20)	335014					SM5030	SM5397	SB104	SB104
		Left Hand	366004 (20)	335014					SM5030	SM5396	SB104	SB104
1990-99	Front Strut Bearing								SM5083			
1990-99	Front Strut Lower Springseat (Left Hand)								SM5225			
1990-99	Front Strut Lower Springseat (Right Hand)								SM5226			
1990-94	'90 Late Prod.- on w/ Std. Suspension		366004 (20)	236003					SM5029	SM5016	SB104	SB106
1990-94	'90 Late Prod.- on w/ H.D. Suspension		366004 (20)	236003					SM5030	SM5016	SB104	SB106
1990 early	All thru '90 Late Prod. w/ Std.Suspension		366004 (20)	236003					SM5025	SM5016	SB104	SB106
1990 early	All thru '90 Late Prod. w/ H.D.Suspension		366004 (20)	236003					SM5031	SM5016	SB104	SB106
NOTE:Early = (8mm x 1.25 Studs on Front Upper Retainer) Late = (10mm x 1.25 Studs on Front Upper Retainer)												

CHEVROLET Lumina APV > See Truck Section

CHEVROLET Malibu (FWD)												
1998 Late to 2003	All w/ 2.50" rear strut bolt hole spacing		334229	334295				734056	734057	SM5146	SM5145	SB104 SB101
1997-05	Upper Springseat Insulator									SM5438		
1997-05	Lower Springseat Insulator									SM5437		
1997-05	Lower Springseat									SM5420		
1997-1998 Early	All w/ 3.25" rear strut bolt hole spacing		334229	334230				734056		SM5146	SM5145	SB104 SB101

Applications for Passenger Cars

VEHICLE MAKE, MODEL & YEAR	MARQUE, MODÉLÉ ET ANNÉE DU VÉHICULE	La MARCA el MODELO & AÑO	GR-2		Gas-a-Just		AGX		STRUT & SHOCK MOUNTS / KITS		BOOT KITS		
			FRONT	REAR	FRONT	REAR	FRONT	REAR	FRONT	REAR	FRONT	REAR	
CHEVROLET Metro (Also See GEO)													
1998-01	ALL	Right Hand	232025							SM5188	SM5189	SB103	SB101
		Left Hand	232026							SM5188	SM5189	SB103	SB101

CHEVROLET Monte Carlo, Monte Carlo SS													
2000-05	Monte Carlo	Right Hand	334227	334228				734058	734059	SM5143	SM5399	SB127	SB128
	(Exc. Special Handling Package)	Left Hand	334227	334228				734058	734059	SM5143	SM5398	SB127	SB128
2000-05	Universal Rear Strut Mount Kit with boot										SM5394		
2000-06	Universal Rear Strut mount										SM5144		
2000-06	Lower Springseat Insulator									SM5437	SM5440		
1995-99	ALL	Right Hand	366004 (20)	335014						SM5030	SM5397	SB104	SB128
		Left Hand	366004 (20)	335014						SM5030	SM5396	SB104	SB128
1995-99	Strut mount bearing									SM5083			
1995-99	Lower Springseat									SM5384			
		Right Hand								SM5383			
		Left Hand											
1995-99	Universal Rear Strut Mount Kit with boot										SM5393		
1995-99	Universal Rear Strut mount										SM5117		
1978-88	ALL		343127	343157	KG4513	KG5548							
1970-77	ALL		343127	343157	KG4513	KG5504							

CHEVROLET Monza													
1975-80	ALL (Includes S/W)		343129	343132									

CHEVROLET Nova & Chevy II (Also See GEO)													
1985-88	ALL (Exc. Twin Cam)	Right Hand	234024	232028						SM5019	SM5069	SB101	SB102
		Left Hand	234025	232029						SM5019	SM5069	SB101	SB102
1988	Twin Cam		365041	232030							SM5069	SB101	SB102
1974-79	ALL		343127	343132	KG4515	KG5506							
1968-73	ALL (Exc.H.D.Susp.)		343127	343132	KG4515	KG5506							
1968-73	w/H.D.Suspension		343127	343157	KG4515	KG5504							
1962-67	ALL			343135 (7)									

CHEVROLET Prizm (Also See GEO)													
1998-02	ALL	Right Hand	234057	234059						SM5049	SM5075	SB103	SB117
		Left Hand	234058	234060						SM5049	SM5074	SB103	SB117

CHEVROLET Spectrum (Also See GEO)													
1985-88	ALL	Right Hand	232015			KG4542				SM5297		SB102	
		Left Hand	232016			KG4542				SM5297		SB102	

Applications for Passenger Cars

VEHICLE MAKE, MODEL & YEAR	MARQUE, MODÉLÉ ET ANNÉE DU VÉHICULE	La MARCA el MODELO & AÑO	GR-2		Gas-a-Just		AGX		STRUT & SHOCK MOUNTS / KITS		BOOT KITS	
			FRONT	REAR	FRONT	REAR	FRONT	REAR	FRONT	REAR	FRONT	REAR
CHEVROLET Sprint												
1987-88	ALL - Inc.Turbo	Right Hand	232019	341075					SM5108			
		Left Hand	232020	341075					SM5108			
1985-86	ALL	Right Hand		342012								
		Left Hand		342012								

CHEVROLET Sprint (Canadian Vehicle)												
1989-91	ALL	Right Hand	232025	232027					SM5188	SM5189	SB103	SB101
		Left Hand	232026	232027					SM5188	SM5189	SB103	SB101

CHEVROLET Storm (Canadian Vehicle)												
1993	ALL	Right Hand	234041	232033					SM5081	SM5105	SB102	SB105
		Left Hand	234042	232034					SM5081	SM5105	SB102	SB105

CHEVROLET TRUCK Pickups, Mini-Van, Tracker, and Van > See Truck Section

CHEVROLET Vega												
1975-77	ALL		343129	343132								
1972-74	ALL			343132								
1971	ALL			343131								

CHRYSLER Full Size - Newport, New Yorker (Exc.Air Suspension) (Also See LHS)												
1994-97	New Yorker	Right Hand	234601	234603					SM5110	SM5111	SB101	SB101
		Left Hand	234602	234603					SM5110	SM5111	SB101	SB101
1994-97	Front Strut Upper Springseat								SM5231			
1988-93	NewYorker,NewYorker Landau (Exc.Turbo) without Air Leveling System		235902	343164		KG5563			SM5003		SB103	
1988-93	NewYorker,NewYorker Landau (Exc.Turbo) with Air Leveling System		235045 (16)			(22)			SM5003		SB103	
1/86-1993	Front Strut Upper Springseat Front Strut Upper Springseat Spacer Front Strut Lower Springseat Insulator								SM5130			
									SM5219			
									SM5131			
1988	NewYorker w/Turbo		235902	343164		KG5563			SM5003		SB104	
			235045 (16)									
1/86-87	ALL(Exc.Fifth Avenue)		235902	343164		KG5563			SM5003		SB104	
			235045 (16)									
84-12/85	ALL(Exc.Fifth Avenue)		234003	343164		KG5563			SM5004		SB104	
1983	ALL(Exc.Fifth Avenue)		234001	343164		KG5563			SM5002		SB101	
1983-89	Fifth Avenue		343138	343139	KG4528	KG5546						
1982	ALL		343138	343139	KG4528	KG5546						

Applications for Passenger Cars

VEHICLE MAKE, MODEL & YEAR	MARQUE, MODÉLÉ ET ANNÉE DU VÉHICULE	La MARCA el MODELO & AÑO	GR-2		Gas-a-Just		AGX		STRUT & SHOCK MOUNTS / KITS		BOOT KITS	
			FRONT	REAR	FRONT	REAR	FRONT	REAR	FRONT	REAR	FRONT	REAR
			CHRYSLER Full Size - Newport, New Yorker (Exc.Air Suspension) (Also See LHS) CONTINUED									
1979-81	ALL(Exc.80 Model 300)		343158	343139		KG5546						
1980	Model 300		343138	343139	KG4528	KG5546						
1974-78	ALL		343138	343159	KG4528	KG5512						
1971-73	ALL				KG4507							
1970	ALL (Exc.S/W)				KG4507							
1970	S/W			343159	KG4507	KG5512						
1965-69	ALL			343159	KG4507	KG5512						

CHRYSLER 300 / 300C (Exc. Performance Handling Package)												
2005-06	ALL	Right Hand	341609 (9)	TBA							SB101	
		Left Hand	341608 (9)	TBA							SB101	
1998-04	ALL	Right Hand	235617	235619					SM5167	SM5168	SB101	SB101
		Left Hand	235618	235619					SM5167	SM5168	SB101	SB101

CHRYSLER Cirrus												
1995-00	ALL		344609	344610					SM5262	SM5137	SB108	SB107
			235610 (38)	235611 (39)								

CHRYSLER Concorde												
1998-04	ALL	Right Hand	235617	235619					SM5167	SM5168	SB101	SB101
		Left Hand	235618	235619					SM5167	SM5168	SB101	SB101
1993-97	ALL	Right Hand	234601	234603					SM5110	SM5111	SB101	SB101
		Left Hand	234602	234603					SM5110	SM5111	SB101	SB101
1993-97	Front Strut Upper Springseat								SM5231			

CHRYSLER Conquest > See Dodge Conquest

CHRYSLER Cordoba												
1980-83	ALL		343138	343139	KG4528	KG5546						
1977-79	ALL		343158	343139		KG5546						
1975-76	ALL		343158	343159		KG5512						

CHRYSLER Daytona (Canadian Vehicle)												
1/86-1993	ALL		235902	343164		KG5563			SM5003		SB104	
			235045 (16)									
1/86-1993	Front Strut Upper Springseat								SM5130			
	Front Strut Upper Springseat Spacer								SM5219			
	Front Strut Lower Springseat Insulator								SM5131			
84-12/85	ALL		234003	343164		KG5563			SM5004		SB104	

Applications for Passenger Cars

VEHICLE MAKE, MODEL & YEAR	MARQUE, MODÉLÉ ET ANNÉE DU VÉHICULE	La MARCA el MODELO & AÑO	GR-2		Gas-a-Just		AGX		STRUT & SHOCK MOUNTS / KITS		BOOT KITS	
			FRONT	REAR	FRONT	REAR	FRONT	REAR	FRONT	REAR	FRONT	REAR
CHRYSLER Dynasty (Canadian Vehicle)												
1988-93	ALL with Air Leveling System		235902 235045 (16)				(22)			SM5003		SB103
1988-93	ALL without Air Leveling System		235902 235045 (16)	343164		KG5563				SM5003		SB103
1988-93	Front Strut Upper Springseat Front Strut Upper Springseat Spacer Front Strut Lower Springseat Insulator									SM5130 SM5219 SM5131		
CHRYSLER E Class												
1984	ALL		234003	343164		KG5563				SM5004		SB104
1983	ALL		234001	343164		KG5563				SM5002		SB101
CHRYSLER Executive Limousine												
1/86-88	ALL		235902 235045 (16)	343164		KG5563				SM5003		SB104
1/86-88	Front Strut Upper Springseat Front Strut Upper Springseat Spacer Front Strut Lower Springseat Insulator									SM5130 SM5219 SM5131		
84-12/85	ALL		234003	343164		KG5563				SM5004		SB104
1983	ALL		234001	343164		KG5563				SM5002		SB101
CHRYSLER Imperial												
1990-93	ALL (Exc.Air Suspension) (Footnote # 22)		235902 235045 (16)	343164		KG5563				SM5003		SB103
1990-93	Front Strut Upper Springseat Front Strut Upper Springseat Spacer Front Strut Lower Springseat Insulator									SM5130 SM5219 SM5131		
1981-83	ALL		343138	343139	KG4528	KG5546						
1974-75	ALL		343138	343159	KG4528	KG5512						
1970-73	ALL				KG4507							
1967-69	ALL			343159	KG4507	KG5512						
CHRYSLER Intrepid (Canadian Vehicle)												
1998-04	ALL	Right Hand	235617	235619						SM5167	SM5168	SB101 SB101
		Left Hand	235618	235619						SM5167	SM5168	SB101 SB101
1993-97	ALL	Right Hand	234601	234603						SM5110	SM5111	SB101 SB101
		Left Hand	234602	234603						SM5110	SM5111	SB101 SB101
1993-97	Front Strut Upper Springseat									SM5231		

Applications for Passenger Cars

VEHICLE MAKE, MODEL & YEAR	MARQUE, MODÉLÉ ET ANNÉE DU VÉHICULE	La MARCA el MODELO & AÑO	GR-2		Gas-a-Just		AGX		STRUT & SHOCK MOUNTS / KITS		BOOT KITS	
			FRONT	REAR	FRONT	REAR	FRONT	REAR	FRONT	REAR	FRONT	REAR
CHRYSLER LHS												
1998-01	ALL	Right Hand	235617	235619					SM5167	SM5168	SB101	SB101
		Left Hand	235618	235619					SM5167	SM5168	SB101	SB101
1994-97	ALL	Right Hand	234601	234603					SM5110	SM5111	SB101	SB101
		Left Hand	234602	234603					SM5110	SM5111	SB101	SB101
1993-97	Front Strut Upper Springseat								SM5231			
CHRYSLER Laser (Also See Plymouth Laser)												
1/86-86	ALL		235902	343164		KG5563			SM5003		SB104	
			235045 (16)									
1/86-86	Front Strut Upper Springseat								SM5130			
	Front Strut Upper Springseat Spacer								SM5219			
	Front Strut Lower Springseat Insulator								SM5131			
84-12/85	ALL		234003	343164		KG5563			SM5004		SB104	
CHRYSLER Le Baron, Le Baron GTS, Le Baron Coupe & Convertible												
1/86-95	ALL-Inc.GTS,GTC,Convertible & Coupe		235902	343164		KG5563			SM5003		SB104	
			235045 (16)									
1/86-95	Front Strut Upper Springseat								SM5130			
	Front Strut Upper Springseat Spacer								SM5219			
	Front Strut Lower Springseat Insulator								SM5131			
84-12/85	ALL		234003	343164		KG5563			SM5004		SB104	
1983	ALL		234001	343164		KG5563			SM5002		SB101	
1982	ALL		234001	343164		KG5563			SM5001		SB101	
1977-81	ALL		343138	343139	KG4528	KG5546						
CHRYSLER Neon (Canadian Vehicle)												
2000-05	ALL (Except Performance Package)	Right Hand	235627	235628					SM5265		SB104	SB101
		Left Hand	235627	235629					SM5265		SB104	SB101
2000-04	Front Upper Strut Mount & Upper Springseat & Insulator								SM5199			
2000-04	Springseat								SM5344			
2000-04	Lower Springseat Insulator								SM5417			
2000-04	Rear Strut Mount & Insulator									SM5198		
CHRYSLER PT Cruiser												
2001-05	ALL (Includes Turbo)		235626	343385		KG4551			SM5265		SB104	
2001-05	Front Strut Mount, Upper Springseat & Insulator								SM5199			
2001-05	Springseat								SM5344			
2001-05	Lower Springseat Insulator								SM5417			

Applications for Passenger Cars

VEHICLE MAKE, MODEL & YEAR	MARQUE, MODÉLÉ ET ANNÉE DU VÉHICULE	La MARCA el MODELO & AÑO	GR-2		Gas-a-Just		AGX		STRUT & SHOCK MOUNTS / KITS		BOOT KITS	
			FRONT	REAR	FRONT	REAR	FRONT	REAR	FRONT	REAR	FRONT	REAR
CHRYSLER Sebring												
2001-05	Sebring Coupe	Right Hand	235630	341293					SM5388	SM5091	SB103	SB101
		Left Hand	235631	341293					SM5388	SM5091	SB103	SB101
2003-11/14/04	Sebring Sedan & Convertible		341604	344610					SM5264	SM5263	SB108	SB107
1995-05	Upper Springseat Insulator (Coupe)									SM5433		
2001-02	Sebring Sedan & Convertible		344609	344610					SM5264	SM5263	SB108	SB108
			235610 (38)	235611 (39)								
1997-00	Sebring Convertible		344609	344610					SM5262	SM5238	SB108	SB107
			235610 (38)	235611 (39)								
1995-00	ALL (Exc.Convertible)		341141	341165			741018	741019	SM5091	SM5091	SB108	SB108
1995-96	Sebring Convertible		344609	344610					SM5262	SM5137		
			235610 (38)	235611 (39)								

CHRYSLER TC (Maserati)												
1989-91	ALL		235902	343164			KG5563			SM5003		SB104
			235045 (16)									
1989-91	Upper Springseat								SM5130			
1989-91	Upper Springseat Spacer								SM5219			
1989-91	Lower Springseat Insulator								SM5131			

CHRYSLER Town and Country , Voyager Mini-Van > See Truck Section

DAEWOO Lanos												
1999-02	Sedan		365025	343177			KG4536					SB101

DAEWOO Nubira												
1999-02	Hatchback, Sedan & Wagon	Right Hand	334209	333254								
		Left Hand	334210	333255								
1999-02	Wagon (w/o ABS Brakes)	Right Hand	334207									
		Left Hand	334208									

DAIHATSU Rocky > See Truck Section

DATSUN > See NISSAN

DODGE 400												
1983	ALL		234001	343164			KG5563			SM5002		SB101
1982	ALL		234001	343164			KG5563			SM5001		SB101

Applications for Passenger Cars

VEHICLE MAKE, MODEL & YEAR	MARQUE, MODÉLÉ ET ANNÉE DU VÉHICULE	La MARCA el MODELO & AÑO	GR-2		Gas-a-Just		AGX		STRUT & SHOCK MOUNTS / KITS		BOOT KITS	
			FRONT	REAR	FRONT	REAR	FRONT	REAR	FRONT	REAR	FRONT	REAR
DODGE 600, 600ES												
1/86-88	ALL		235902	343164		KG5563			SM5003		SB104	
			235045 (16)									
1/86-88	Front Strut Upper Springseat Front Strut Upper Springseat Spacer Front Strut Lower Springseat Insulator								SM5130 SM5219 SM5131			
84-12/85	ALL		234003	343164		KG5563			SM5004		SB104	
1983	ALL		234001	343164		KG5563			SM5002		SB101	

DODGE 2000 GTX (Canadian Vehicle)													
1989-90	ALL (Exc. 4 W/D)		235032	341114				734005	741013		SM5091	SB101	SB107
1989-90	ALL w/ 4 W/D		235032	341121				734005	741014		SM5091	SB101	SB107

DODGE Full Size - Polara, Monaco(Exc.FWD)													
1977	Royal Monaco		343138	343159	KG4528	KG5512							
1977-78	Monaco (Exc.Police Package)		343158	343139		KG5546							
1977-78	Monaco w/ Police Package		343158	343159		KG5512							
1974-76	ALL		343138	343159	KG4528	KG5512							
1965-73	ALL (Exc. 1971 rear)(Exc. 1973 S/W rear)			343159	KG4507	KG5512							
1962-64	Polara, 330, 440			343159	KG4510	KG5512							

DODGE Aries, Aries America, Aries K												
1/86-89	ALL		235902	343164		KG5563			SM5003		SB104	
			235045 (16)									
1/86-89	Front Strut Upper Springseat Front Strut Upper Springseat Spacer Front Strut Lower Springseat Insulator								SM5130 SM5219 SM5131			
84-12/85	ALL		234003	343164		KG5563			SM5004		SB104	
1983	ALL		234001	343164		KG5563			SM5002		SB101	
1981-82	ALL		234001	343164		KG5563			SM5001		SB101	

DODGE Aspen												
1976-80	ALL		343138	343139	KG4528	KG5546						

DODGE Avenger													
1995-00	ALL		341141	341165				741018	741019	SM5091	SM5091	SB101	SB108
1995-00	Upper Springseat Insulator										SM5433		

DODGE Caravan, RamVan Mini-Van > See Truck Section

Applications for Passenger Cars

VEHICLE MAKE, MODEL & YEAR	MARQUE, MODÉLÉ ET ANNÉE DU VÉHICULE	La MARCA el MODELO & AÑO	GR-2		Gas-a-Just		AGX		STRUT & SHOCK MOUNTS / KITS		BOOT KITS	
			FRONT	REAR	FRONT	REAR	FRONT	REAR	FRONT	REAR	FRONT	REAR
DODGE Challenger												
1970-74	ALL				KG4510	KG5512						
DODGE Charger, Coronet												
1977-78	ALL		343158	343139		KG5546						
1973-76	ALL		343158	343159		KG5512						
1965-72	ALL			343159	KG4510	KG5512						
DODGE Colt (Exc.Colt Vista)												
1997-98	ALL	Right Hand	333224	341140				741033			SB101	SB107
		Left Hand	333225	341140				741033			SB101	SB107
1993-96	ALL(Exc.CA2A Model)	Right Hand	234061	341140					SM5109	SM5091	SB101	SB107
		Left Hand	234062	341140					SM5109	SM5091	SB101	SB107
1989-92	ALL (Exc.S/W)		235033	341084					SM5063	SM5091	SB101	SB107
1987-88	ALL w/ Power Steering (Exc.S/W)		233025	342014		KG3200A			SM5061		SB104	
1987-88	ALL w/o Power Steering (Exc.S/W)		233025	342014		KG3200A			SM5062		SB104	
1987-90	S/W (2W/D & 4W/D) w/ Power Steering		233025						SM5061		SB104	
1987-90	S/W (2W/D & 4W/D) w/o Power Steering		233025						SM5062		SB104	
1985-86	ALL		233013	342014		KG3200A			SM5316		SB104	
1984	ALL(Exc.Sealed Strut)		365027			KG4192			SM5032		SB103	
1982-83	ALL		365027						SM5032		SB103	
1979-81	Hatchback		365027			KG4192			SM5032		SB103	
1977-80	Station Wagon			343030		KG4006			SM5315		SB103	
DODGE Colt (Canadian Vehicle)												
1989-92	Colt 100E Sedan and Hatchback		233025	342014		KG3200A					SB101	
1989-92	Colt 200E		235033	341084					SM5063	SM5091	SB104	SB107
DODGE Colt Vista												
1992-96	Colt Vista 2W/D		235032	343262					SM5195	SM5091	SB101	SB108
1984-91	2 W/D Station Wagon		235006			KG4192			SM5095		SB103	
1986-91	4 W/D Station Wagon		235050			KG4192			SM5095		SB103	
DODGE Conquest												
9/86-89	ALL(Exc.Adj.Susp.)	Right Hand	365060	235003					SM5313	SM5310	SB102	SB101
		Left Hand	365060	235004					SM5313	SM5310	SB102	SB101
83-8/86	ALL(Exc.Adj.Susp.)	Right Hand	365029	235003					SM5313	SM5310	SB102	SB102
		Left Hand	365029	235004					SM5313	SM5310	SB102	SB102
DODGE Dart, Demon, Swinger												
1963-76	ALL				KG4509	KG5511						
1962	ALL				KG4509							

Applications for Passenger Cars

VEHICLE MAKE, MODEL & YEAR	MARQUE, MODÉLÉ ET ANNÉE DU VÉHICULE	La MARCA el MODELO & AÑO	GR-2		Gas-a-Just		AGX		STRUT & SHOCK MOUNTS / KITS		BOOT KITS	
			FRONT	REAR	FRONT	REAR	FRONT	REAR	FRONT	REAR	FRONT	REAR
DODGE Daytona, Shelby Daytona, Pacifica												
1/86-93	ALL		235902	343164		KG5563			SM5003		SB104	
1/86-93	Front Strut Upper Springseat Front Strut Upper Springseat Spacer Front Strut Lower Springseat Insulator		235045 (16)						SM5130 SM5219 SM5131			
84-12/85	ALL		234003	343164		KG5563			SM5004		SB104	
DODGE Diplomat												
1977-89	ALL (Includes Police Pkg.)		343138	343139		KG4528	KG5546					
DODGE Dynasty												
1988-93	ALL with Air Leveling System		235902				(22)		SM5003		SB103	
1988-93	ALL without Air Leveling System		235045 (16)									
1988-93	Front Strut Upper Springseat Front Strut Upper Springseat Spacer Front Strut Lower Springseat Insulator		235902	343164		KG5563			SM5003		SB103	
			235045 (16)						SM5130 SM5219 SM5131			
DODGE Expo (Canadian Vehicle)												
1987-89	ALL		234001	341037					SM5001	SM5018	SB101	(2)
DODGE Intrepid (Exc. Performance Handling Package)												
1998-04	ALL	Right Hand	235617	235619					SM5167	SM5168	SB101	SB101
		Left Hand	235618	235619					SM5167	SM5168	SB101	SB101
1993-97	ALL	Right Hand	234601	234603					SM5110	SM5111	SB101	SB101
		Left Hand	234602	234603					SM5110	SM5111	SB101	SB101
1993-97	Front Strut Upper Springseat								SM5231			
DODGE Lancer, Shelby Lancer												
1/86-89	ALL		235902	343164		KG5563			SM5003		SB104	
1/86-89	Front Strut Upper Springseat Front Strut Upper Springseat Spacer Front Strut Lower Springseat Insulator		235045 (16)						SM5130 SM5219 SM5131			
85-12/85	ALL		234003	343164		KG5563			SM5004		SB104	
DODGE Magnum												
1978-79	ALL		343158	343139		KG5546						
DODGE Monaco												
1990-92	ALL			343220					SM5330		SB101	

Applications for Passenger Cars

VEHICLE MAKE, MODEL & YEAR	MARQUE, MODÉLÉ ET ANNÉE DU VÉHICULE	La MARCA el MODELO & AÑO	GR-2		Gas-a-Just		AGX		STRUT & SHOCK MOUNTS / KITS		BOOT KITS	
			FRONT	REAR	FRONT	REAR	FRONT	REAR	FRONT	REAR	FRONT	REAR
DODGE Mirada												
1979-82	ALL		343138	343139	KG4528	KG5546						

DODGE Neon												
2000-05	ALL (Exc. R/T & SRT)	Right Hand	235627	235628					SM5265	SM5198	SB104	SB101
		Left Hand	235627	235629					SM5265	SM5198	SB104	SB101
2004-05	Neon R/T & SRT	Right Hand	235922 (9)	234905 (9)					SM5265	SM5198	SB104	SB101
		Left Hand	235922 (9)	234906 (9)					SM5265	SM5198	SB104	SB101
2000-05	Front Strut Mount, Upper Springseat, & Insulator								SM5199			
2000-05	Upper Springseat w/ bearing and Insulator								SM5344			
2000-05	Lower Springseat Insulator								SM5417			
1995-99	ALL (Exc. Competition Model)		234902	234901					SM5136	SM5135	SB101	SB103
			235616 (37)	235615 (36)								
1995-99	Front Strut Upper Springseat								SM5158			

DODGE Omni, Omni America, Charger, Shelby Charger, GLH, GLHS												
1990	ALL			341037					SM5001	SM5018	SB103	(2)
1981-89	ALL 4-door(Exc.GLH)		234001	341037					SM5001	SM5018	SB101	(2)
1981-87	ALL 2-door(Exc.Shelby Charger)		234001	341036					SM5001	SM5018	SB101	(2)
1983-87	Shelby Charger,Charger GLHS (2 DR)		234001	341035					SM5001	SM5018	SB101	(2)
1985-87	GLH,Shelby GLHS (4 DR)		234001	341035					SM5001	SM5018	SB101	(2)
1978-80	ALL 2-door		234001						SM5001	SM5018	SB101	
1978-80	ALL 4-door		234001	341035					SM5001	SM5018	SB101	(2)

DODGE Pickup, Rampage, and Van > See Truck Section

DODGE St.Regis												
1979-81	ALL		343158	343139		KG5546						

DODGE Shadow,Shelby Shadow CSX & CSXT												
1987-94	ALL		235902	343164		KG5563			SM5003		SB104	
			235045 (16)									
1987-94	Front Strut Upper Springseat								SM5130			
	Front Strut Upper Springseat Spacer								SM5219			
	Front Strut Lower Springseat Insulator								SM5131			

DODGE Spirit												
1989-95	ALL		235902	343164		KG5563			SM5003		SB103	
			235045 (16)									
1989-95	Front Strut Upper Springseat								SM5130			
	Front Strut Upper Springseat Spacer								SM5219			
	Front Strut Lower Springseat Insulator								SM5131			

Applications for Passenger Cars

VEHICLE MAKE, MODEL & YEAR	MARQUE, MODÉLÉ ET ANNÉE DU VÉHICULE	La MARCA el MODELO & AÑO	GR-2		Gas-a-Just		AGX		STRUT & SHOCK MOUNTS / KITS		BOOT KITS	
			FRONT	REAR	FRONT	REAR	FRONT	REAR	FRONT	REAR	FRONT	REAR
DODGE Stealth												
1995-97	2 Wheel Drive		335013	341183 (22)					SM5096	SM5091	SB101	SB108
1995-97	4 Wheel Drive		335013						SM5096		SB101	
1991-94	ALL (Exc. Adjustable Susp.) (22)		335013	341183 (22)					SM5096	SM5091	SB101	SB108
DODGE Stratus												
2001-05	Stratus Coupe	Right Hand	235630	341293					SM5388	SM5091	SB103	SB103
		Left Hand	235631	341293					SM5388	SM5091	SB103	SB103
2003-05	Stratus Sedan		341604	344610							SB108	SB107
2003-11/14/04	Stratus Convertible		341604	344610							SB108	SB108
2001-02	Stratus Sedan & Convertible		344609	344610							SB108	SB108
2001-04	Front Strut Mounting Kit (Sedan)								SM5264			
2001-05	Upper Springseat Insulator (Coupe)									SM5433		
1999-00	Front Strut Mounting Kit								SM5263			
1995-00	ALL		344609	344610						SM5137	SB108	SB108
			235610 (38)	235611 (39)								
1995-98	Front Strut Mounting Kit								SM5262	SM5137		
DODGE Vista (Canadian Vehicle)												
1989-92	ALL w/ Power Steering (Exc.S/W)		233025	342014		KG3200A			SM5061		SB104	
1989-92	ALL w/o Power Steering (Exc.S/W)		233025	342014		KG3200A			SM5062		SB104	
1989-92	2 W/D Station Wagon		235006			KG4192					SB103	
1989-92	4 W/D Station Wagon		235050			KG4192					SB103	
EAGLE Medallion												
1988-90	Sedan			343220					SM5330		SB101	
EAGLE Premier												
1988-92	ALL			343220					SM5330		SB101	
EAGLE Summit												
1997	Sedan	Right Hand	333224	341140			734010	741033	SM5152	SM5091	SB101	SB107
		Left Hand	333225	341140			734011	741033	SM5152	SM5091	SB101	SB107
1993-96	Sedan	Right Hand	234061	341140			734005		SM5109	SM5091	SB101	SB107
		Left Hand	234062	341140					SM5109	SM5091	SB101	SB107
1992-96	Wagon - 2W/D		235032	343262					SM5195	SM5091	SB101	SB108
1989-92	ALL		235033	341084					SM5063	SM5091	SB101	SB107

Applications for Passenger Cars

VEHICLE MAKE, MODEL & YEAR	MARQUE, MODÉLÉ ET ANNÉE DU VÉHICULE	La MARCA el MODELO & AÑO	GR-2		Gas-a-Just		AGX		STRUT & SHOCK MOUNTS / KITS		BOOT KITS	
			FRONT	REAR	FRONT	REAR	FRONT	REAR	FRONT	REAR	FRONT	REAR
EAGLE Talon												
1995-97	2 W/D - ALL		341163	341165			741042	741019	SM5091	SM5091	SB108	SB108
1995-97	4 W/D - ALL		341163	341164			741042	741020	SM5091	SM5091	SB108	SB108
1990-94	2 W/D - ALL		235032	341114			734005	741013	SM5072	SM5091	SB101	SB108
1990-94	4 W/D - ALL		235032	341121			734005	741014	SM5072	SM5091	SB101	SB108
EAGLE Vision												
1993-97	ALL	Right Hand	234601	234603					SM5110	SM5111	SB101	SB101
		Left Hand	234602	234603					SM5110	SM5111	SB101	SB101
1993-97	Front Strut Upper Springseat								SM5231			
EAGLE Vista (Canadian Vehicle)												
1989-92	ALL w/ Power Steering (Exc.S/W)		233025	342014		KG3200A			SM5061		SB104	
1989-92	ALL w/o Power Steering (Exc.S/W)		233025	342014		KG3200A			SM5062		SB104	
1989-92	2 W/D Station Wagon		235006			KG4192			SM5095		SB103	
1989-92	4 W/D Station Wagon		235050			KG4192			SM5095		SB103	
EAGLE 2000 GTX (Canadian Vehicle)												
1991-93	ALL (Exc. 4 W/D) (Exc. Auto-Leveling)		235032	341114			734005	741013		SM5091	SB101	SB107
1991-93	ALL w/ 4 W/D		235032	341121			734005	741014		SM5091	SB101	SB107
EDSEL												
1960	ALL		343127	343136	KG4515							
1959	ALL (Exc. S/W)		343127		KG4515							
1959	S/W		343127	343136	KG4515							
1958	Pacer and Ranger		343127	343219	KG4515	KG5517						
1958	Citation and Corsair		343127	343219	KG4515	KG5517						
FIAT 124												
1968-78	ALL-From Chassis 066.059 (Exc.S/W)		343141	343142								
1966-68	ALL-Thru Chassis 066.058 (Exc.S/W)		343141									
1966-76	S/W		343141	344055		KG5538						
FIAT 131												
1979-82	Brava Sedan			343142								
1975-78	Sedan (Exc.Sealed Strut Equipped)			343142								
FIAT 2000 (Also See Pininfarina)												
1979-82	Spider Coupe		343141	343142								

Applications for Passenger Cars

VEHICLE MAKE, MODEL & YEAR	MARQUE, MODÉLÉ ET ANNÉE DU VÉHICULE	La MARCA el MODELO & AÑO	GR-2		Gas-a-Just		AGX		STRUT & SHOCK MOUNTS / KITS		BOOT KITS	
			FRONT	REAR	FRONT	REAR	FRONT	REAR	FRONT	REAR	FRONT	REAR
			FIAT X1/9 (Also See Bertone)									
1979-82	ALL		233003	233004								
1974-78	ALL		233003									

FORD Full Size - LTD, Crown Victoria, Galaxie (Also See LTD II)												
2003-05	ALL (Inc. Rear Air Spring Susp.)(Exc. Police Car & Taxi)				551600	551601 (53)				SM5392	SM5267	
2003-05	Police Car & Taxi				551602	551603 (54)					SM5267	
1995-02	ALL(Exc Police Car & Taxi)	344424	343135		KG5572	KG5521						
1983-94	Crown Victoria,Country Squire (Exc. Police Car & Taxi)	343128	343135		KG4515	KG5521						
1983-02	Police Car & Taxi (Req. C052 bushing kit for 2000-02 front shock)	344081	343135		KG5458 (32)	KG5521						
1983-86	LTD	235005	343163			KG5559			SM5036		SB103	
1979-82	ALL	343128	343135		KG4515	KG5521						
1965-78	ALL	343128	343149		KG4515	KG5522						
1960-64	ALL	343127	343136		KG4515							
1959	ALL (Exc.Reatr. H/Top & S/W)	343127	343219		KG4515	KG5517						
1959	Retractable H/Top & S/W	343127	343136		KG4515							
1957-58	ALL (Exc.Reatr. H/Top & S/W)	343127	343219		KG4515	KG5517						
1957-58	Retractable H/Top & S/W	343127	343131		KG4515	KG5526						
1952-56	ALL				KG4503	KG5517						

FORD Aspire												
1994-97	ALL Strut Mount w/ bearing			340009						SM5040 SM5273	SM5139	SB101

FORD Aerostar > See Truck Section

FORD Contour												
3/97-2000	ALL		235620	235621						SM5138	SM5140	SB105 SB102
1995-2/97	ALL		235910	235911						SM5138	SM5140	SB105 SB102

FORD Cougar (Canadian Vehicle)												
2001-02	ALL		235620	235621						SM5138	SM5140	SB105 SB102

FORD Escape, Explorer, & Expedition > See Truck Section

Applications for Passenger Cars

VEHICLE MAKE, MODEL & YEAR	MARQUE, MODÉLÉ ET ANNÉE DU VÉHICULE	La MARCA el MODELO & AÑO	GR-2		Gas-a-Just		AGX		STRUT & SHOCK MOUNTS / KITS		BOOT KITS	
			FRONT	REAR	FRONT	REAR	FRONT	REAR	FRONT	REAR	FRONT	REAR
FORD Escort, Escort GT, EXP, ZX2 (Exc. Street Racer)												
1997-03	ALL (Exc. ZX2 Coupe)	Right Hand	235914	234903					SM5044	SM5046	SB105	SB104
		Left Hand	235915	234904					SM5044	SM5046	SB105	SB104
1997-03	Strut Mount bearing (Including ZX2)								SM5170			
1997-03	Strut Mount with bearing (Including ZX2)								SM5170			
1998-02	ZX2 Coupe	Right Hand	235916	234903					SM5044	SM5046	SB105	SB104
		Left Hand	235917	234904					SM5044	SM5046	SB105	SB104
1991-96	ALL (Exc.ABS & 4W/D)	Right Hand	234037	234039					SM5044	SM5046	SB101	SB102
		Left Hand	234038	234040					SM5044	SM5046	SB101	SB102
1991-02	Lower Springseat Insulator									SM5430		
1991-03	Front Strut Upper Springseat								SM5155			
1991-96	Strut Mounting Kit								SM5305			
3/85-90	ALL (Built from 3/1/85)		333141	231002					SM5037		SB101	SB103
			234014 (28)									
3/85-90	Strut Mount Bearing for SM5037								SM5006			
1981-90	Rear Strut Mounting Kit									SM5269		
Late 85-90	Front Strut Mounting Kit								SM5270			
1981-Early 85	Strut mount								SM5268			
1983-85	ALL (Built 2/1/83 thru 3/1/85)		234018	231002							SB101	SB103
1981-83	ALL (Built thru 2/1/83)			231002							SB101	SB103
FORD Fairlane												
1966-70	ALL (Exc.S/W)		343156	343219	KG4505	KG5517						
1966-70	S/W		343156	343135	KG4505							
1962-65	ALL			343219		KG5517						
FORD Fairmont, Futura												
1983	ALL		235005	343163		KG5559			SM5036		SB103	
1982	ALL (Exc.TRX Suspension)			343163		KG5559			SM5036		SB103	
1978-81	ALL (Exc.TRX Suspension)			343161		KG5551					SB103	
1981-82	ALL w/TRX Suspension		235005	343163		KG5559			SM5036		SB103	
FORD Falcon												
1966-70	ALL (Exc.S/W)		343156	343219	KG4505	KG5517						
1966-70	S/W		343156	343135	KG4505							
1960-65	ALL		343156	343219	KG4505	KG5517						
FORD Festiva												
1988-93	ALL	Right Hand	232021	340009					SM5040	SM5139	SB103	SB107
		Left Hand	232022	340009					SM5040	SM5139	SB103	SB107
FORD Fiesta												
1977-81	ALL		233001								SB101	

Applications for Passenger Cars

VEHICLE MAKE, MODEL & YEAR	MARQUE, MODÉLÉ ET ANNÉE DU VÉHICULE	La MARCA el MODELO & AÑO	GR-2		Gas-a-Just		AGX		STRUT & SHOCK MOUNTS / KITS		BOOT KITS	
			FRONT	REAR	FRONT	REAR	FRONT	REAR	FRONT	REAR	FRONT	REAR
FORD Focus (Exc. SVT Model)												
2000-05	Sedan and Hatchback	Right Hand	333348	343290			733036	741067	SM5169	SM5206	SB101	
		Left Hand	333349	343290			733037	741067	SM5169	SM5206	SB101	
2000-05	Station Wagon	Right Hand	333348	343291			733036		SM5169		SB101	
		Left Hand	333349	343291			733037		SM5169		SB101	

FORD Granada												
1981-82	ALL		235005	343163		KG5559			SM5036		SB103	
1975-80	ALL		343133	343136								

FORD LTD II												
1977-79	ALL		343128	343135	KG4515	KG5521						

FORD Maverick												
1969-77	ALL		343146	343136	KG4517							

FORD Mustang, Mustang II, Shelby												
2005	ALL (Including GT)		235920	TBA								
1994-04	ALL (Exc. '99-'04 Cobra, Bullitt Model & Mach 1)		235060	344433		KG9023	734014	743021	SM5036		SB103	(2)
1984-04	AXLE DAMPER (Rear Quad Shock)					KG4521 (23)						
2003-04	Mustang Mach 1		235060			KG9090 (9)						
2003-04	Mustang Cobra					TBA						
1987-93	ALL (Exc. GT and LX 5.0L & Cobra)		235005	343163		KG5559			SM5036		SB103	
1987-93	GT and LX 5.0L & Cobra		235009	343161		KG5551	734013	743020	SM5036		SB103	
1987-89	Saleen Mustang		235009	343161		KG5551	734013	743020	SM5036		SB103	
1983-86	ALL (Exc. SVO, GT, and Special Handling)		235005	343163		KG5559			SM5036		SB103	
1983-86	GT and Special Handling (Exc. SVO)		235005	343161		KG5551		743020	SM5036		SB103	
1984-86	SVO Model			343161		KG5551		743020	SM5036			
1982	ALL (Exc. GT)			343163		KG5559					SB103	
1982	GT Model			343161		KG5551		743020			SB103	
1979-81	ALL			343161		KG5551		743020			SB103	
1974-78	ALL (Built From 11/5/73)		343134	343148	KG4511							
1974	ALL (Built Thru 11/5/73)		343134	343137	KG4511							
1971-73	ALL (Includes Shelby)		343156	343219	KG4504	KG5517						
1964-70	ALL (Includes Shelby)		343146	343219	KG4517	KG5517						

FORD Pickup, Mini-Van, and Van > See Truck Section

FORD Pinto												
1975-80	ALL (Exc. S/W)		343134	343137	KG4511	KG5514						
1975-80	S/W		343134		KG4511							

Applications for Passenger Cars

VEHICLE MAKE, MODEL & YEAR	MARQUE, MODÉLÉ ET ANNÉE DU VÉHICULE	La MARCA el MODELO & AÑO	GR-2		Gas-a-Just		AGX		STRUT & SHOCK MOUNTS / KITS		BOOT KITS	
			FRONT	REAR	FRONT	REAR	FRONT	REAR	FRONT	REAR	FRONT	REAR
			FORD Pinto CONTINUED									
1972-74	ALL (Exc. S/W)		343134	343137	KG4511	KG5514						
1972-74	S/W		343134		KG4511							
1971	ALL		343134	343137	KG4511	KG5514						

FORD Probe (Exc. Electronically-Adjustable Suspension) (Footnote # 22)													
1993-7/97	All	Right Hand	235601	235603						SM5076	SM5094	SB101	SB101
		Left Hand	235602	235603						SM5076	SM5093	SB101	SB101
1993-97	Strut Mounting Kit									SM5308			
1993-97	Strut Mount Bearing for SM5076									SM5129			
1993-97	Springseat									SM5346			
1990-92	Springseat (GT w/ auto trans., Exc. V6 w/ auto trans.)									SM5341			
1989-92	All	Right Hand	235046	235048							SM5035	SB101	SB101
		Left Hand	235047	235048							SM5035	SB101	SB101
1989-92	Front Strut Mount - Manual Trans. Only									SM5041			
1989-92	Strut Mounting Kit (Auto trans exc. 3.0L)									SM5300			
1989-92	Strut Mount Bearing for SM5041									SM5127			
1989-92	Springseat (All 3.0L exc. GT)									SM5343			
1989	Springseat (GT only)									SM5341			

FORD Ranchero > See Truck Section

FORD Taurus													
2000-06	Sedan (Exc. SHO)	Right Hand	334292	334294						SM5113	SM5055	SB103	SB101
		Left Hand	334293	334294						SM5113	SM5055	SB103	SB101
2000-05	Station Wagon	Right Hand	334292	344434		KG5575				SM5113	SM5267	SB103	
		Left Hand	334293	344434		KG5575				SM5113	SM5267	SB103	
1996-99	Sedan (Exc. SHO)		334168	334169						SM5113	SM5055	SB103	SB103
1996-99	Station Wagon		334168	344432		KG5574				SM5113		SB103	
1996-05	Front Strut Upper Springseat									SM5227			
1991-95	Sedan (Includes Police & SHO)		235054	334325 235011 (27)						SM5038	SM5055	SB103	SB103
1991-95	Rear Lower Springseat Insulator (Exc. S/W)										SM5414		
1988-95	Front Lower Springseat Insulator									SM5415			
1986-95	Station Wagon		235054	344271		KG5567				SM5038		SB103	
1986-95	Strut Mount Bearing for SM5038									SM5005			
1986-95	Front Strut Upper Springseat									SM5156			
1986-95	Front Strut Mounting Kit									SM5271			

Applications for Passenger Cars

VEHICLE MAKE, MODEL & YEAR	MARQUE, MODÉLÉ ET ANNÉE DU VÉHICULE	La MARCA el MODELO & AÑO	GR-2		Gas-a-Just		AGX		STRUT & SHOCK MOUNTS / KITS		BOOT KITS	
			FRONT	REAR	FRONT	REAR	FRONT	REAR	FRONT	REAR	FRONT	REAR
FORD Taurus CONTINUED												
1986-90	Sedan (Includes Police & SHO)		235054	334325 235011 (27)					SM5038	SM5015	SB103	SB103
1986-90	Front Strut Mount								SM5272			
1986-90	Rear Strut Upper Springseat Insulator									SM5235		
FORD Tempo												
1985-94	ALL (Built from 3/1/85)(Exc.4 W/D)		333141 234014 (28)	234016					SM5037	SM5014	SB103	SB103
1984-94	Front Strut Mounting Kit								SM5270			
1984-94	Strut Mount Bearing for SM5037								SM5006			
1984-94	Springseat									SM5347		
1987-91	4 W/D		333141 234014 (28)						SM5037	SM5014	SB103	SB103
1984-85	ALL (Built thru 3/1/85)		234015	234016					SM5037	SM5014	SB101	SB103
FORD Thunderbird												
1989-97	ALL (Exc.Adjustable Suspension) (Footnote # 22)		231015	344110					SM5187			
1987-88	ALL (Exc.Turbo Coupe) (Footnote # 22)		235005	343162		KG5556			SM5054		SB103	
12/80-86	ALL		235002	343162		KG5556			SM5054		SB103	
1984-88	AXLE DAMPER (Rear Quad Shock)					KG4521 (23)						
1977-79	ALL		343128	343135	KG4515	KG5521						
1973-76	ALL		343128		KG4515	KG5519						
1972	ALL		343128	343135	KG4515	KG5521						
1967-71	ALL		343128	343135	KG4515	KG5522						
1959-60	ALL		343127									
1955-57	ALL		343137	343219	KG5514	KG5517						
FORD Torino, Elite, Cobra												
1972-76	ALL		343128	343135	KG4515	KG5521						
1968-71	ALL(Exc. S/W)		343156	343219	KG4505	KG5517						
1968-71	S/W		343156	343135	KG4505	KG5520						
GEO Metro (Also See Chevrolet)												
1996-97	ALL	Right Hand	232025						SM5188	SM5189	SB103	SB101
		Left Hand	232026						SM5188	SM5189	SB103	SB101
1989-95	ALL	Right Hand	232025	232027					SM5188	SM5189	SB103	SB101
		Left Hand	232026	232027					SM5188	SM5189	SB103	SB101

Applications for Passenger Cars

VEHICLE MAKE, MODEL & YEAR	MARQUE, MODÉLÉ ET ANNÉE DU VÉHICULE	La MARCA el MODELO & AÑO	GR-2		Gas-a-Just		AGX		STRUT & SHOCK MOUNTS / KITS		BOOT KITS	
			FRONT	REAR	FRONT	REAR	FRONT	REAR	FRONT	REAR	FRONT	REAR
GEO Prizm (Also See Chevrolet)												
1993-97	ALL	Right Hand	234057	234059					SM5049	SM5075	SB103	SB102
		Left Hand	234058	234060					SM5049	SM5074	SB103	SB102
1989-92	ALL	Right Hand	234035	234031					SM5049	SM5075	SB103	SB105
		Left Hand	234036	234032					SM5049	SM5074	SB103	SB105

GEO Spectrum (Also See Chevrolet)												
1989	ALL	Right Hand	232015			KG4542			SM5297		SB102	
		Left Hand	232016			KG4542			SM5297		SB102	

GEO Storm												
1990-93	ALL From: VIN # L7513806	Right Hand	234041	232033					SM5081	SM5105	SB102	SB101
		Left Hand	234042	232034					SM5081	SM5105	SB102	SB101
1989-90	ALL Thru: VIN # L7513805	Right Hand	234041	232023					SM5081	SM5105	SB102	SB101
		Left Hand	234042	232024					SM5081	SM5105	SB102	SB101

GEO Tracker (Also see Chevrolet)> See Truck Section												
GMC Canyon (Also see Chevrolet Colorado)> See Truck Section												

HONDA Accord												
2005	ALL (Exc. Hybrid)			341331					SM5058	SM5058		
	Front lower control arm shock bushing								SM5207			
	Rear lower control arm shock bushing									SM5166		
2003-04	ALL		341330	341331					SM5207		SB108	SB108
	Front lower control arm shock bushing									SM5166		
	Rear lower control arm shock bushing											
1998-02	ALL		341257	341258			741049 (9)	741050 (9)	SM5058	SM5058	SB108	SB107
	Front lower control arm shock bushing								SM5207			
	Rear lower control arm shock bushing									SM5166		
1990-97	ALL(Including S/W)	Right Hand	341117	341119			741010	741012	SM5058	SM5059	SB108	SB107
		Left Hand	341118	341119			741011	741012	SM5058	SM5059	SB108	SB107
	Front lower control arm shock bushing								SM5207			
	Rear lower control arm shock bushing									SM5051		
1986-89	ALL	Right Hand	341072	341074					SM5058	SM5059	SB108	SB108
		Left Hand	341073	341074					SM5058	SM5059	SB108	SB108
	Front lower control arm shock bushing								SM5209			
	Rear lower control arm shock bushing									SM5051		
1984-85	ALL	Right Hand	233019	233021					SM5292	SM5059	SB103	SB103
		Left Hand	233020	233021					SM5292	SM5059	SB103	SB103

Applications for Passenger Cars

VEHICLE MAKE, MODEL & YEAR	MARQUE, MODÉLÉ ET ANNÉE DU VÉHICULE	La MARCA el MODELO & AÑO	GR-2		Gas-a-Just		AGX		STRUT & SHOCK MOUNTS / KITS		BOOT KITS	
			FRONT	REAR	FRONT	REAR	FRONT	REAR	FRONT	REAR	FRONT	REAR
			HONDA Accord CONTINUED									
1982-83	ALL	Right Hand	233017	233021					SM5292	SM5059	SB103	SB103
		Left Hand	233018	233021					SM5292	SM5059	SB103	SB103
1979-81	ALL	Right Hand	233009	233011						SM5059	SB103	SB103
		Left Hand	233010	233012						SM5059	SB103	SB103
1976-78	ALL	Right Hand	233009							SM5059	SB103	SB103
		Left Hand	233010							SM5059	SB103	SB103

HONDA Civic												
2003-05	Honda Civic Sedan & Coupe (Incl. Si Model)	Right Hand	331010	341362					SM5402	SM5400	SB103	SB108
		Left Hand	331011	341362					SM5402	SM5400	SB103	SB108
	Rear lower control arm bushing									SM5404		
2003-05	Honda Civic Hybrid	Right Hand	331008						SM5402	SM5400	SB103	SB108
		Left Hand	331009						SM5402	SM5400	SB103	SB108
	Rear lower control arm bushing									SM5404		
2002-05	Strut Mount - Hatchback only								SM5403	SM5401		
2002	Honda Civic Si	Right Hand	331010	341311			731003	741060	SM5403	SM5400	SB103	SB108
		Left Hand	331011	341311			731004	741060	SM5403	SM5400	SB103	SB108
	Rear lower control arm bushing									SM5404		
2001-02	ALL (Exc. Si Model)	Right Hand	331008	341311			731003	741060	SM5403		SB103	SB108
		Left Hand	331009	341311			731004	741060	SM5403		SB103	SB108
	Rear lower control arm bushing									SM5404		
1996-00	ALL		341203	341198			741023	741024	SM5058	SM5058	SB108	SB108
	Lower control arm shock bushing								SM5210	SM5208		
1992-95	ALL	Right Hand	341138	341094			741005	741007	SM5058	SM5058	SB108	SB108
		Left Hand	341139	341094			741006	741007	SM5058	SM5058	SB108	SB108
	Lower control arm shock bushing								SM5210	SM5166		
1989-91	ALL (Exc.S/W)	Right Hand	341135	341094			741008	741007	SM5058	SM5058	SB108	SB108
		Left Hand	341136	341094			741009	741007	SM5058	SM5058	SB108	SB108
	Rear lower control arm shock bushing									SM5166		
1988	ALL (Exc.S/W)	Right Hand	341135	340008			741008		SM5058	SM5058	SB108	(2)
		Left Hand	341136	340008			741009		SM5058	SM5058	SB108	(2)
	Rear lower control arm shock bushing									SM5051		
1984-87	ALL (Exc.S/W)	Right Hand	234010	341050					SM5293	SM5059	SB103	(2)
		Left Hand	234011	341050					SM5293	SM5059	SB103	(2)
	Rear lower control arm shock bushing									SM5051		
1984-87	S/W - 2 W/D (Inc.Wagovan)	Right Hand	234020	340001					SM5293	SM5059	SB103	(2)
		Left Hand	234021	340001					SM5293	SM5059	SB103	(2)
	Rear lower control arm shock bushing									SM5051		
1980-83	1300,1500 CVCC (Exc.S/W)	Right Hand	231010	231011						SM5059	SB103	SB103
		Left Hand	231010	231012						SM5059	SB103	SB103

Applications for Passenger Cars

VEHICLE MAKE, MODEL & YEAR	MARQUE, MODÉLÉ ET ANNÉE DU VÉHICULE	La MARCA el MODELO & AÑO	GR-2		Gas-a-Just		AGX		STRUT & SHOCK MOUNTS / KITS		BOOT KITS	
			FRONT	REAR	FRONT	REAR	FRONT	REAR	FRONT	REAR	FRONT	REAR
			HONDA Civic CONTINUED									
1980-83	1500 CVCC S/W		231010	343030								SB103
1976-79	1500 CVCC S/W			343030								SB103
1975	1500 CVCC S/W	Right Hand		343030								SB103
	w/Sealed Strut	Left Hand		343030								SB103
1975	1200 S/W	Right Hand		343030								SB103
	w/Sealed Strut	Left Hand		343030								SB103

HONDA CRV > See Truck Section

HONDA CRX and DEL SOL

1992-97	ALL	Right Hand	341138	341094			741005	741007	SM5058	SM5058	SB108	SB108
		Left Hand	341139	341094			741006	741007	SM5058	SM5058	SB108	SB108
		Lower control arm shock bushing							SM5210	SM5166		
1989-91	ALL	Right Hand	341135	341094			741008	741007	SM5058	SM5058	SB108	SB108
		Left Hand	341136	341094			741009	741007	SM5058	SM5058	SB108	SB108
		Rear lower control arm shock bushing								SM5166		
1988	ALL	Right Hand	341135	340008			741008		SM5058	SM5058	SB108	(2)
		Left Hand	341136	340008			741009		SM5058	SM5058	SB108	(2)
		Rear lower control arm shock bushing								SM5051		
1984-87	ALL	Right Hand	234010	341050					SM5293	SM5058	SB103	(2)
		Left Hand	234011	341050					SM5293	SM5058	SB103	(2)
		Rear lower control arm shock bushing								SM5051		

HONDA Insight

2000-06	ALL		NA	NA								SB102
---------	-----	--	----	----	--	--	--	--	--	--	--	-------

HONDA Passport, Pilot & Odyssey > See Truck Section

HONDA Prelude (Exc.1997-2001 Type SH)

1992-01	ALL	Right Hand	341177	341179			741030	741032	SM5058	SM5059	SB108	SB108
		Left Hand	341178	341179			741031	741032	SM5058	SM5059	SB108	SB108
		Front lower control arm shock bushing							SM5207			
		Rear lower control arm shock bushing								SM5209		
		Springseat								SM5360		
1988-91	ALL	Right Hand	341072						SM5058	SM5291	SB108	
		Left Hand	341073						SM5058	SM5291	SB108	
		Front lower control arm shock bushing							SM5209			
		Rear lower control arm shock bushing								SM5209		
1984-87	ALL	Right Hand	340002	234022					SM5058	SM5059	(2)	SB103
		Left Hand	340002	234023					SM5058	SM5059	(2)	SB103
1983	ALL		340002	233021					SM5058	SM5059	(2)	SB103
1979-82	ALL		363058							SM5059	SB103	

Applications for Passenger Cars

VEHICLE MAKE, MODEL & YEAR	MARQUE, MODÉLÉ ET ANNÉE DU VÉHICULE	La MARCA el MODELO & AÑO	GR-2		Gas-a-Just		AGX		STRUT & SHOCK MOUNTS / KITS		BOOT KITS		
			FRONT	REAR	FRONT	REAR	FRONT	REAR	FRONT	REAR	FRONT	REAR	
HONDA S2000													
2000-06	ALL		NA	NA							SB108	SB108	
HYUNDAI Accent													
2000-02	ALL	Right Hand	333304	332108					SM5201		SB103	SB110	
		Left Hand	333305	332109					SM5201		SB103	SB110	
5/97-99	ALL	Right Hand	333211						SM5149	SM5148	SB101	SB103	
		Left Hand	333212						SM5149	SM5148	SB101	SB103	
1995-4/97	ALL	Right Hand	333211	332080					SM5149	SM5148	SB101	SB103	
		Left Hand	333212	332081					SM5149	SM5148	SB101	SB103	
HYUNDAI Elantra													
7/00-2005	ALL	Right Hand	333205	333500				733020 (9)	733022 (9)	SM5193	SM5240	SB101	SB103
		Left Hand	333206	333501				733021 (9)	733023 (9)	SM5193	SM5239	SB101	SB103
1996-6/00	ALL	Right Hand	333205	333207				733020	733022	SM5193	SM5240	SB101	SB103
		Left Hand	333206	333208				733021	733023	SM5193	SM5239	SB101	SB103
1992-95	ALL		235033	341084						SM5063	SM5091	SB101	SB103
HYUNDAI Excel													
1990-94	ALL		234043				KG4192			SM5060		SB116	
1989	ALL		365074				KG4192			SM5032		SB103	
1986-88	ALL		365027				KG4192			SM5032		SB103	
HYUNDAI Pony (Canadian Vehicle)													
1984-87	ALL			343030			KG4006					SB103	
HYUNDAI Santa Fe > See Truck Section													
HYUNDAI Scoupe													
1991-95	ALL		234043				KG4192			SM5060		SB116	
HYUNDAI Sonata													
4/00-10/04	ALL		341280	341281						SM5091	SM5091	SB101	SB101
1999-3/00	ALL		341245	341246						SM5091	SM5200	SB101	SB101
1995-98	ALL		334141	341192						SM5194		SB101	SB101
1989-94	ALL (Exc.ABS)		235027				KG9011			SM5195		SB101	
1989-98	Rear Shock mount bushings										SM5294		

Applications for Passenger Cars

VEHICLE MAKE, MODEL & YEAR	MARQUE, MODÉLÉ ET ANNÉE DU VÉHICULE	La MARCA el MODELO & AÑO	GR-2		Gas-a-Just		AGX		STRUT & SHOCK MOUNTS / KITS		BOOT KITS	
			FRONT	REAR	FRONT	REAR	FRONT	REAR	FRONT	REAR	FRONT	REAR
HYUNDAI Tiburon												
2003-05	ALL	Right Hand	333508	333510								
		Left Hand	333509	333511								
1996-02	ALL	Right Hand	333205	333207			733020	733022	SM5193	SM5240	SB103	SB101
		Left Hand	333206	333208			733021	733023	SM5193	SM5239	SB103	SB101
2002-06	Strut boot										SB103	SB101
HYUNDAI XG300, XG350												
2001-05	ALL		341280	341281					SM5091		SB101	SB101
INFINITI QX4 > See Truck Section												
INFINITI G20												
1999-02	G20		341120	341194			741029	741021	SM5123	SM5123	SB101	SB108
1991-96	G20	Right Hand	341120	235061			741029	734008	SM5123	SM5204	SB101	SB101
		Left Hand	341120	235062			741029	734009	SM5123	SM5204	SB101	SB101
INFINITI I35												
2002-04	I35 (With Non-Sport Susp.)	Right Hand	334366	341341					SM5409	SM5217	SB104	SB108
		Left Hand	334367	341341					SM5409	SM5217	SB104	SB108
INFINITI I30												
2000-01	I30	Right Hand	334265	341271					SM5409	SM5217	SB104	SB108
		Left Hand	334266	341271					SM5409	SM5217	SB104	SB108
1996-99	I30	Right Hand	334150	341202			734017	741039	SM5324	SM5123	SB104	SB108
		Left Hand	334151	341202			734018	741039	SM5324	SM5123	SB104	SB108
1996-00	Strut Mount Bearing (I30)								SM5323		SB104	SB108
1996-99	Strut Mount and Bearing (I30)								SM5122		SB104	SB108
INFINITI Q45												
1997-01	Strut Mounting Kit (Exc. Touring)								SM5328	SM5123	SB101	SB101
1990-96	Strut Mount								SM5324	SM5123	SB101	
ISUZU I-MARK (Prior to 1981; See Opel Listings)												
1985-91	ALL (Exc. Lotus Susp.)	Right Hand	232015				KG4542		SM5297		SB102	
		Left Hand	232016				KG4542		SM5297		SB102	
1985-91	ALL w/ Lotus Susp.	Right Hand	232015						SM5297		SB102	
		Left Hand	232016						SM5297		SB102	
1981-84	ALL					KG4773A	KG4772A					

Applications for Passenger Cars

VEHICLE MAKE, MODEL & YEAR	MARQUE, MODÉLÉ ET ANNÉE DU VÉHICULE	La MARCA el MODELO & AÑO	GR-2		Gas-a-Just		AGX		STRUT & SHOCK MOUNTS / KITS		BOOT KITS	
			FRONT	REAR	FRONT	REAR	FRONT	REAR	FRONT	REAR	FRONT	REAR
ISUZU Impulse												
1990-92	ALL (Exc.Lotus Susp. & Exc. 4W/D)	Right Hand	234041	232033					SM5081	SM5105	SB102	SB105
		Left Hand	234042	232034					SM5081	SM5105	SB102	SB105
1990-92	2 W/D w/ Lotus Susp.	Right Hand	234041	332076					SM5081	SM5105	SB102	SB101
		Left Hand	234042	332077					SM5081	SM5105	SB102	SB101
1990-92	4 W/D	Right Hand	234041						SM5081	SM5105	SB102	SB101
		Left Hand	234042						SM5081	SM5105	SB102	SB101
1983-89	ALL (Exc.RS Model)			343039	KG4773A	KG5552						

ISUZU Stylus												
1990-93	ALL (Exc.Lotus Susp.)	Right Hand	234041	232033					SM5081	SM5105	SB102	SB105
		Left Hand	234042	232034					SM5081	SM5105	SB102	SB105
1990-93	ALL w/ Lotus Susp.	Right Hand	234041	332076					SM5081	SM5105	SB102	SB105
		Left Hand	234042	332077					SM5081	SM5105	SB102	SB105

ISUZU Pickup & Van > See Truck Section

JEEP Liberty and U.S.POSTAL SERVICE Vehicles > See Truck Section

JAGUAR XJ6, XJ12, XJS, Sovereign, S-Type, Vandenplas, MK II, XK												
1997-04	XJ8				KG5783	KG6796						
1998-03	Springseat w/ isolator (XJ8, XJ8L, XJR, VandenPlas)									SM5358		
1995-97	Springseat w/ isolator (XJ6, XJ12, XJR, VandenPlas)									SM5358		
2000-04	Upper Springseat w/ isolator (S-Type)								SM5359	SM5359		
1997-02	XK8, XKR					KG6798						
1997-04	Springseat w/ isolator (XK Coupe & Convertible)									SM5358		
12/94-97	XJ6, XJ12				KG4730	KG6797						
10/86-9/94	XJ6, Sovereign, VandenPlas (Exc.Self-Leveling Rear Susp.)				KG9135	KG9309						
10/86-9/94	XJ6, Sovereign, VandenPlas w/Self-Leveling Rear Susp.				KG9135	(26)						
1987-95	XJ-S Model (4 units required on rear)				KG4540	KG9122						(2)
1968-87	XJ6, XJ12, XJS (4 units required on rear)				KG4540	KG9122						(2)
1962-66	MK II Series Pass.Car			343219		KG5517						

KIA Amanti												
2004-05	ALL		NA	NA							SB101	SB101

KIA Magentis (Canadian Vehicle)												
2001-04	Sedan		341280	341281								

KIA Optima												
2001-05	ALL		341280	341281					SM5091	SM5091	SB101	SB101

Applications for Passenger Cars

VEHICLE MAKE, MODEL & YEAR	MARQUE, MODÉLÉ ET ANNÉE DU VÉHICULE	La MARCA el MODELO & AÑO	GR-2		Gas-a-Just		AGX		STRUT & SHOCK MOUNTS / KITS		BOOT KITS	
			FRONT	REAR	FRONT	REAR	FRONT	REAR	FRONT	REAR	FRONT	REAR
KIA Rio												
7/2/02-05	ALL	Right Hand	333512	343424 (9)								
		Left Hand	333513	343424 (9)								
2001-7/1/02	ALL	Right Hand	333502	343353							SB102	
		Left Hand	333503	343353							SB102	

KIA Sephia												
1998-5/00	ALL	Right Hand	333262	333264					SM5076	SM5232	SB101	
		Left Hand	333263	333265					SM5076	SM5233	SB101	
1998-5/00	Strut Mount Bearing for SM5076								SM5129		SB101	
1994-97	ALL (Exc. ABS)	Right Hand	333109	333111					SM5234	SM5232		
		Left Hand	333110	333111					SM5234	SM5233		
1998-01	Strut Mounting Kit								SM5308			

KIA Spectra												
2000-02	Strut Mounting Kit								SM5308		SB101	SB108

KIA TRUCK Sportage > See Truck Section

LEXUS TRUCK LX450, LX470, RX300, RX330 > See Truck Section

LEXUS ES250, ES300 & ES330												
2004-06	ES330 (Exc. Adj. Susp.)	Right Hand	334386	334388					SM5423	SM5175	SB102	SB101
		Left Hand	334387	334389					SM5423	SM5175	SB102	SB101
2002-03	ES300 (Exc. Adj.Susp.)	Right Hand	334338	334340					SM5423	SM5175	SB102	SB101
		Left Hand	334339	334341					SM5423	SM5175	SB102	SB101
1997-01	ES300 (Exc. Adj.Susp.)	Right Hand	334245	334133					SM5179	SM5175	SB101	SB101
			235710 (45)	235708 (43)								
		Left Hand	334246	334134					SM5180	SM5175	SB101	SB101
			235711 (46)	235709 (44)								
1997-03	Lower Springseat Insulator								SM5441			
1995-96	ES300	Right Hand	334170	334133					SM5174	SM5185	SB101	SB101
				235708 (43)								
		Left Hand	334171	334134					SM5174	SM5185	SB101	SB101
				235709 (44)								
1992-94	ES300 w/Sealed Struts	Right Hand	334131	334133					SM5385	SM5185	SB101	SB101
				235708 (43)								
		Left Hand	334132	334134					SM5385	SM5185	SB101	SB101
				235709 (44)								

Applications for Passenger Cars

VEHICLE MAKE, MODEL & YEAR	MARQUE, MODÉLÉ ET ANNÉE DU VÉHICULE	La MARCA el MODELO & AÑO	GR-2		Gas-a-Just		AGX		STRUT & SHOCK MOUNTS / KITS		BOOT KITS	
			FRONT	REAR	FRONT	REAR	FRONT	REAR	FRONT	REAR	FRONT	REAR
LEXUS ES250, ES300 & ES330 CONTINUED												
1992-94	ES300 w/Serviceable Struts		365085	365062					SM5385	SM5185	SB101	SB101
1992-94	Front Strut Mount w/ bearing								SM5126			
1992-94	Front Strut Lower Springseat Bearing (Only)								SM5125			
1992-94	Front Strut Lower Springseat assembly								SM5173			
1990-92	ES250 (cartridges)		365061	365062					SM5049	SM5375	SB105	SB105
	ES250 (struts)	Right Hand	235041	235042					SM5049	SM5375	SB105	SB105
			235707 (42)									
		Left Hand	235041	235043					SM5049	SM5375	SB101	SB101
			235707 (42)									

LEXUS GS300, GS400 & GS430												
2001-05	GS430		341266	341267					SM5205		SB103	
1998-00	GS400		341266	341267					SM5205		SB103	
1998-04	GS300		341266	341267					SM5205		SB103	SB103
1996-97	GS300		341196	341197					SM5205		SB103	SB103
1993-95	GS300		341196	341197								

LEXUS IS300												
2001-04	IS300		341262	341263							SB101	SB103

LEXUS LS400												
1995-00	LS400 (Exc.Elec.Pneumatic Susp.)		341159	341269						SM5177	SB101	SB104
1990-94	LS400 (Exc.Elec.Pneumatic Susp.)		341159	341160 (49)					SM5176	SM5178		

LEXUS SC300 & SC400												
1992-00	SC400, SC300		341161	341162						SM5186	SB101	SB103

LINCOLN Continental, Town Car												
2003-05	Town Car								SM5392			
1982-87	Continental (Exc.Town Car)		235008	343162		KG5556					SB103	
1990-02	Town Car & Limousine				KG5572	KG5521						
1982-89	Town Car (Exc.Limousine)		343128	343149	KG4515	KG5522						
1982-89	Town Car Limousine				KG5458	KG5522						
1970-81	ALL		343128	343149	KG4515	KG5522						

LINCOLN Mark III, Mark IV, Mark V, Mark VI, Mark VII												
1984-93	ALL		235008	343162		KG5556			SM5054		SB103	
1980-83	ALL		343128	343135	KG4515	KG5521						
1973-79	ALL		343128		KG4515	KG5519						
1972	ALL		343128	343135	KG4515	KG5521						
1969-71	ALL		343128	343149	KG4515	KG5522						

Applications for Passenger Cars

VEHICLE MAKE, MODEL & YEAR	MARQUE, MODÉLÉ ET ANNÉE DU VÉHICULE	La MARCA el MODELO & AÑO	GR-2		Gas-a-Just		AGX		STRUT & SHOCK MOUNTS / KITS		BOOT KITS	
			FRONT	REAR	FRONT	REAR	FRONT	REAR	FRONT	REAR	FRONT	REAR
			LINCOLN Versailles									
1977-80	ALL		343133	343136								

MASERATI TC > See CHRYSLER

MAZDA 3

2004-05	ALL	Right Hand		343412								SB101
		Left Hand		343412								SB101

MAZDA 323 (Exc. Electronically- Adjustable Suspension) (Footnote # 22)

1990-94	ALL (Exc.4W/D)	Right Hand	234037	234039					SM5044	SM5046	SB101	SB118
		Left Hand	234038	234040					SM5044	SM5046	SB101	SB118
1990-94	Strut Mounting Kit								SM5305			
1990-94	Upper Springseat								SM5155			
1990-91	ALL w/4W/D	Right Hand	234037						SM5044	SM5046	SB101	SB118
		Left Hand	234038						SM5044	SM5046	SB101	SB118
1986-89	ALL (Exc.S/W & 4W/D)	Right Hand	234008	232011					SM5039	SM5045	SB102	SB118
		Left Hand	234009	232012					SM5039	SM5045	SB102	SB118
1986-89	S/W & 4 W/D	Right Hand	234008						SM5039	SM5045	SB102	SB102
		Left Hand	234009						SM5039	SM5045	SB102	SB102

MAZDA 6

2005	ALL (Exc. Roof mounted antenna)	Right Hand	341314 (51)	344363					SM5428			
		Left Hand	341315 (52)	344363					SM5428			
2003-04	ALL	Right Hand	341314 (51)	344363					SM5428		SB103	
		Left Hand	341315 (52)	344363					SM5428		SB103	

MAZDA 626 (Exc. Electronically-Adjustable Suspension) (Footnote #22)

8/97-02	ALL	Right Hand	334401	334449 (9)						SM5408	SB101	SB105
		Left Hand	334402	334449 (9)						SM5407	SB101	SB105
2000-02	Strut Mount Bearing only								SM5129			
1993-99	Strut Mount Bearing for SM5076								SM5129			
1993-97	Strut Mounting Kit								SM5308			
1993-97	Springseat								SM5346			
1993-7/97	ALL	Right Hand	235601	235603					SM5076	SM5094	SB101	SB101
		Left Hand	235602	235603					SM5076	SM5093	SB101	SB101
1988-92	Exc. 4WS & Adj. susp.	Right Hand	235046	235048					SM5300	SM5035	SB104	SB101
		Left Hand	235047	235048					SM5300	SM5035	SB104	SB101
1986-87	ALL	Right Hand	233007	233016					SM5307	SM5298	SB101	SB101
		Left Hand	233008	233016					SM5307	SM5299	SB101	SB101

Applications for Passenger Cars

VEHICLE MAKE, MODEL & YEAR	MARQUE, MODÉLÉ ET ANNÉE DU VÉHICULE	La MARCA el MODELO & AÑO	GR-2		Gas-a-Just		AGX		STRUT & SHOCK MOUNTS / KITS		BOOT KITS	
			FRONT	REAR	FRONT	REAR	FRONT	REAR	FRONT	REAR	FRONT	REAR
MAZDA 626 (Exc.Electronically-Adjustable Suspension) (Footnote #22) CONTINUED												
1983-85	ALL	Right Hand	233007	233016					SM5047	SM5298	SB101	SB101
		Left Hand	233008	233016					SM5047	SM5299	SB101	SB101
1988-92	Front Strut Mount - Manual Trans. Only								SM5041			
1988-92	Springseat (4 cyl. exc. Man. Trans. & 4WS)								SM5341			
1988-92	Springseat (3.0L V6 exc. GT)								SM5343			
1988-92	Strut Mount Bearing for SM5041								SM5127			
1979-82	ALL-From Chassis No.CB2MS-543880		363022	343149					SM5304		SB103	
1979	ALL-Thru Chassis No.CB2MS-543879			343149								

MAZDA 929 (Exc.Electronically-Adjustable Suspension)												
1990-91	ALL		NA	NA					SM5306			
1988-89	ALL		NA	NA					SM5301	SM5302		

MAZDA GLC												
1981-85	ALL FWD (Exc.S/W)	Right Hand	233005	232001					SM5039	SM5045	SB103	SB101
		Left Hand	233006	232002					SM5039	SM5045	SB103	SB101

MAZDA Miata (MX5)												
1999-05	ALL (Exc. Sports Package)		341253	341254			741035	741036	SM5139	SM5139	SB108	SB108
1989-97	ALL w/ ABS		341143 (9)	341127					SM5077	SM5077	SB108	SB108
1989-97	ALL (Exc. ABS)		341126 (50)	341127			741015	741016	SM5077	SM5077	SB108	SB108

MAZDA MPV > See Truck Section

MAZDA Millenia												
1997-00	ALL			341259 (9)								
1995-8/95	2.5L, 2.3L			341316								

MAZDA MX3												
1992-95	ALL (Exc.ABS)	Right Hand	234037	234039					SM5044	SM5046	SB105	SB118
		Left Hand	234038	234040					SM5044	SM5046	SB105	SB118
	Strut Mounting Kit								SM5305			

MAZDA MX6 (Exc.Electronically-Adjustable Suspension) (Footnote # 22)												
1993-02	Springseat								SM5346			
1993-97	Strut Mounting Kit								SM5308			
1993-97	Strut Mount Bearing for SM5076								SM5129			
1993-5/97	ALL	Right Hand	235601	235603					SM5076	SM5094	SB104	SB101
		Left Hand	235602	235603					SM5076	SM5093	SB104	SB101

Applications for Passenger Cars

VEHICLE MAKE, MODEL & YEAR	MARQUE, MODÉLÉ ET ANNÉE DU VÉHICULE	La MARCA el MODELO & AÑO	GR-2		Gas-a-Just		AGX		STRUT & SHOCK MOUNTS / KITS		BOOT KITS	
			FRONT	REAR	FRONT	REAR	FRONT	REAR	FRONT	REAR	FRONT	REAR
			MAZDA MX6 (Exc.Electronically-Adjustable Suspension) (Footnote # 22) CONTINUED									
1988-92	ALL (Exc.4 WS)	Right Hand	235046	235048					SM5300	SM5035	SB104	SB101
		Left Hand	235047	235048					SM5300	SM5035	SB104	SB101
1988-92	Front Strut Mount - Manual Trans. Only								SM5041			
1988-92	Springseat (All exc. Man. Trans. & 4WS)								SM5341			
1988-92	Strut Mount Bearing for SM5041								SM5127			

MAZDA PROTÉGÉ												
2001-03	ALL (Exc. MP3 & Mazdaspeed)	Right Hand	333350	333276							SB101	SB102
		Left Hand	333351	333277							SB101	SB102
2001-03	Strut Mount w/ bearing (Exc. 4 wheel disc)								SM5427		SB101	SB102
2003	Strut Mount w/ bearing (With 4 wheel disc)								SM5429		SB101	SB102
2001-02	Strut Mount w/ bearing (With 4 wheel disc)								SM5427		SB101	SB102
1999-00	ALL	Right Hand	333274	333276							SB101	SB102
		Left Hand	333275	333277							SB101	SB102
1995-98	ALL	Right Hand	333182	333184					SM5150	SM5406	SB101	SB118
		Left Hand	333183	333185					SM5150	SM5405	SB101	SB118
1990-94	2W/D	Right Hand	234037	234039					SM5044	SM5046	SB101	SB118
		Left Hand	234038	234040					SM5044	SM5046	SB101	SB118
1990-94	Strut Mounting Kit								SM5305			
1990-91	4W/D	Right Hand	234037						SM5044	SM5046	SB101	SB101
		Left Hand	234038						SM5044	SM5046	SB101	SB101

MAZDA PROTÉGÉ 5												
2002-03	Sedan	Right Hand	333350	333276							SB101	SB102
		Left Hand	333351	333277							SB101	SB102

MAZDA RX-4												
1974-78	ALL			344052								

MAZDA RX-7 (Exc.Electronically-Adjustable Susp.) (Footnote # 22)												
1993-96	ALL	Right Hand	341168	341170								
		Left Hand	341169	341170								
1986-92	ALL	Right Hand	235012		KG9132	733012	741025	SM5303			SB103	SB107
		Left Hand	235013		KG9132	733013	741025	SM5303			SB103	SB107
1981-85	ALL (Exc.GSL-SE)		363010	343140	KG4644A			SM5304			SB103	
1984-85	GSL-SE			343140	KG4644A						SB103	
1978-80	ALL		363003	343140	KG4644A							

MAZDA Pickup & Tribute > See Truck Section

Applications for Passenger Cars

VEHICLE MAKE, MODEL & YEAR	MARQUE, MODÉLÉ ET ANNÉE DU VÉHICULE	La MARCA el MODELO & AÑO	GR-2		Gas-a-Just		AGX		STRUT & SHOCK MOUNTS / KITS		BOOT KITS	
			FRONT	REAR	FRONT	REAR	FRONT	REAR	FRONT	REAR	FRONT	REAR
			MERCEDES BENZ - C Class									
2001-03	C Class (W203 Exc. Self-Leveling)		335920									
1993-00	C220 (W202)(Exc.Self-Leveling, Sport Susp.)				KG4739	KG4740						
1993-00	C220 (W202)(Exc.Self-Leveling, Including Sport Susp.)				KG4729	KG4728						
1993-3/01	C230 (W202)(Exc.Self-Leveling, Sport Susp.)				KG4739	KG4740						
1993-3/01	C230 (W202)(Exc.Self-Leveling, Including Sport Susp.)				KG4729	KG4728						
1993-00	C280 (W202)(Exc.Self-Leveling)				KG4739	KG4740						
MERCEDES BENZ - CLK												
1998-02	CLK320 (Exc. Sport Sus.)				KG4731	KG4740						
MERCEDES BENZ - E Class												
1995-02	E320, E420, E430 (W210) 4 Door (Exc.Rear Level Control & 4-Matic)				KG4727	KG4726						
1996-02	E320 (T210) wagon, exc. Sport Susp.				KG4742							
1993-95	E300D, E320, E420 (W124) 4 Door (Exc.Rear Level Control)	235021				KG9801			SM5084		SB102	
1993-96	E320 (S124) Station Wagon	235021							SM5084		SB102	
1993-95	E320 (A124) Convertible					KG9801						
1993-95	E320c (C124) 2 Door	235021				KG9801			SM5084		SB102	
1993-95	E320, E420 (V124) with Rear Level Control	235021							SM5084		SB102	
1993-95	E500 (W124)	235021							SM5084		SB102	
MERCEDES BENZ - SL												
1990-02	All SL129 Chassis 300SL,500SL,600SL, SL320, SL600 w/ self level								SM5309			
1990-02	Strut Mount w/ bearing								SM5171			
MERCEDES BENZ - SLK												
1997-04	SLK230 & SLK320				KG4731	KG4732						
MERCEDES BENZ - 190 Series												
1989-93	190E, 190D, 190 (W201)	235021				KG4548			SM5084		SB102	
1984-88	190E, 190D, 190 (W201) (Exc. 2.3L 16 Valve)	235021				KG4548			SM5084		SB102	
1984-88	190E (W201) 2.3L 16 Valve	235021				KG9801			SM5084		SB102	(2)
1961-65	190c, 190Dc (W110)				KG4523	KG5534						
1961-65	190c, 190Dc Station Wagon				KG4523							

Applications for Passenger Cars

VEHICLE MAKE, MODEL & YEAR	MARQUE, MODÉLÉ ET ANNÉE DU VÉHICULE	La MARCA el MODELO & AÑO	GR-2		Gas-a-Just		AGX		STRUT & SHOCK MOUNTS / KITS		BOOT KITS	
			FRONT	REAR	FRONT	REAR	FRONT	REAR	FRONT	REAR	FRONT	REAR
MERCEDES BENZ - 200 Series												
1984-93	200, 200D (W124)		235021			KG9801			SM5084		SB119	(2)
1985-93	200T, 200TD (W124) Station Wagon		235021						SM5084		SB119	
1976-84	200, 200D (W123)				KG4530	KG5554						
1978-85	200T (W123) Station Wagon				KG4530							
1968-76	200, 200D (W115)(W114)				KG4522	KG5533						
1965-67	200, 200D (W111)				KG4523	KG5534						
1965-67	200, 200D Station Wagon				KG4523							

MERCEDES BENZ - 220 Series												
1976-84	220D (W123)				KG4530	KG5554						
1968-76	220, 220D (W115)(W114)				KG4522	KG5533						
1968-78	220, 220D (W115) Station Wagon				KG4522	KG5554						
1960-65	220b (W111)				KG4523	KG5534						
1961-65	220b, 220Sb Station Wagon				KG4523							
1960-65	220Sb, 220SE, 220SEb (W111) (Exc. Hydromat Suspension)				KG4523	KG5534						

MERCEDES BENZ - 230 Series												
1984-93	230E (W124)		235021			KG9801			SM5084		SB119	(2)
1985-93	230TE (W124) Station Wagon		235021						SM5084		SB119	
1987-93	230CE (C124)		235021			KG9801			SM5084		SB102	(2)
1976-84	230 (W123)				KG4530	KG5554						
1978-85	230T, 230TD (W123) Station Wagon				KG4530							
1976-84	230C, 230CE (C123)				KG4530	KG5554						
1968-76	230 (W115)(W114)				KG4522	KG5533						
1973-76	230-4 (W115) Station Wagon				KG4522							
1965-67	230, 230S (W111)				KG4523	KG5534						
1965-67	230, 230S Station Wagon				KG4523							
1963-66	230SL (W113)				KG4523	KG5534						

MERCEDES BENZ - 240 Series												
1976-84	240D (W123)				KG4530	KG5554						
1978-85	240TD (W123) Station Wagon				KG4530							
1973-76	240D (W115)				KG4522	KG5533						
1973-78	240D (W115) Station Wagon				KG4522	KG5554						

MERCEDES BENZ - 250 Series												
1984-93	250D (W124)		235021			KG9801			SM5084		SB119	(2)
1985-93	250TD (W124) Station Wagon		235021						SM5084		SB119	

Applications for Passenger Cars

VEHICLE MAKE, MODEL & YEAR	MARQUE, MODÉLÉ ET ANNÉE DU VÉHICULE	La MARCA el MODELO & AÑO	GR-2		Gas-a-Just		AGX		STRUT & SHOCK MOUNTS / KITS		BOOT KITS	
			FRONT	REAR	FRONT	REAR	FRONT	REAR	FRONT	REAR	FRONT	REAR
			MERCEDES BENZ - 250 Series CONTINUED									
1976-84	250 (W123)				KG4530	KG5554						
1978-85	250T (W123) Station Wagon				KG4530							
1968-76	250 (W114)				KG4522	KG5533						
1973-76	250C, 250CE (W114)				KG4522	KG5533						
68-8/72	250S (Exc.Hydromat Susp.)				KG4523	KG5534						
1965-67	250S,250SE (Exc.Hydromat Susp.)				KG4523	KG5534						
1967-81	250SL (W113)				KG4523	KG5534						

MERCEDES BENZ - 260 Series												
1984-93	260E (W124)(Exc.4Matic)		235021			KG9801				SM5084		SB119 (2)
1986-93	260E 4Matic					KG9801						(2)
1985-91	260SE (W126)(Exc.Hydromat Susp.)				KG4530	KG5554						

MERCEDES BENZ - 280 Series												
1976-84	280, 280E (W123)				KG4530	KG5554						
1978-85	280TE (W123)Station Wagon				KG4530							
1973-76	280E (W115)				KG4522	KG5533						
1976-84	280C, 280CE (C123)				KG4530	KG5554						
1973-76	280C, 280CE (W115)				KG4522	KG5533						
1980-85	280S, 280SE, 280SEL (W126) (Exc.Hydromat Suspension)				KG4530	KG5554						
9/72-80	280S, 280SE, 280SEL (W116) (Exc.Hydromat Suspension)				KG4530	KG5554						
68-8/72	280S, 280SE, 280SEL (W108) (Exc.Hydromat Suspension)				KG4523	KG5534						
1974-85	280SL, 280SLC (W107)				KG4523	KG5554						
1968-71	280SL (W113)				KG4523	KG5534						

MERCEDES BENZ - 300 Series												
1987-93	300CE (C124)		235021			KG9801				SM5084		SB102 (2)
1984-93	300E, 300D (W124)(Exc.4Matic)		235021			KG9801				SM5084		SB119 (2)
1986-93	300E, 300D (W124) 4Matic					KG9801						SB119 (2)
1985-93	300TE, 300TD (W124) Station Wagon (Exc. 4Matic)		235021							SM5084		SB119
1976-85	300D, 300CD, 300CDT (W123)				KG4530	KG5554						
1978-85	300TD (W123) Station Wagon				KG4530							
1981-91	300SD,300SDL,300SE,300SEL (W126) (Exc. Hydromat Suspension)				KG4530	KG5554						
1968-76	300D (W115)				KG4522	KG5533						

Applications for Passenger Cars

VEHICLE MAKE, MODEL & YEAR	MARQUE, MODÉLÉ ET ANNÉE DU VÉHICULE	La MARCA el MODELO & AÑO	GR-2		Gas-a-Just		AGX		STRUT & SHOCK MOUNTS / KITS		BOOT KITS	
			FRONT	REAR	FRONT	REAR	FRONT	REAR	FRONT	REAR	FRONT	REAR
			MERCEDES BENZ - 300 Series CONTINUED									
9/72-80	300SD (W116)				KG4530	KG5554						
65-8/72	300SE, 300SEL, 300SEb (W109) (Exc.Hydromat Suspension)					KG5534						
1985-89	300SL (W107)				KG4522	KG5554						
MERCEDES BENZ - 350 Series												
1991-93	350S (W140)					KG5533						
1985-91	350S (W126) Sedan				KG4530	KG5533						
9/72-80	350SE (W126)(Exc.Hydromat Susp.)				KG4530	KG5554						
1971-81	350SL, 350SLC, 350SL-4.5, 350SLC-4.5 (W107)				KG4522	KG5554						
MERCEDES BENZ - 380 Series												
1980-85	380SE, 380SEL (W126) (Exc.Hydromat Suspension)				KG4530	KG5554						
1981-85	380SEC (W126) (Exc.Hydromat Suspension)				KG4530	KG5554						
1981-85	380SL, 380SLC (W107)				KG4522	KG5554						
MERCEDES BENZ - 400 Series												
1992-93	400E (W124) Sedan					KG9801				SM5084		SB119
1992-93	400SE, 400SEL (W140) Sedan					KG9801						
MERCEDES BENZ - 420 Series												
1985-91	420SE, 420SEL (W126) (Exc.Hydromat Suspension)				KG4530	KG5554						
1985-92	420SEC (C126) (Exc.Hydromat Suspension)				KG4530	KG5554						
1985-89	420SL (W107)				KG4522	KG5554						
MERCEDES BENZ - 450 Series												
3/73-80	450SE,450SEL,450SEL-6.9 (W116) (Exc.Hydromat Suspension)				KG4530	KG5554						
1974-81	450SL, 450SLC, 450SLC-4.5(W107)				KG4522	KG5554						
MERCEDES BENZ - 500 Series												
1991-93	500SE, 500SEL (W140)					KG9801						
1980-91	500SE, 500SEL (W126) (Exc.Hydromat Suspension)				KG4530	KG5554						
1980-92	500SEC (W126)(C126) (Exc.Hydromat Suspension)				KG4530	KG5554						
1980-89	500SL (W107)				KG4522	KG5554						

Applications for Passenger Cars

VEHICLE MAKE, MODEL & YEAR	MARQUE, MODÉLÉ ET ANNÉE DU VÉHICULE	La MARCA el MODELO & AÑO	GR-2		Gas-a-Just		AGX		STRUT & SHOCK MOUNTS / KITS		BOOT KITS	
			FRONT	REAR	FRONT	REAR	FRONT	REAR	FRONT	REAR	FRONT	REAR
			MERCEDES BENZ - 560 Series									
1985-92	560SEL (W126),560SEC (C126) (Exc.Hydromat Suspension)				KG4530	KG5554						
9/85-90	560SL (R107)					KG5554						
MERCURY Full Size Marquis, Grand Marquis, Monterey												
2003-05	ALL (Inc. Rear Air Spring Susp.)				551600	551601 (53)			SM5392	SM5267		
1995-02	ALL		343128	343135	KG5572	KG5521						
1983-94	Grand Marquis & Colony Park S/W (Exc.Police Car & Taxi)		343128	343135	KG4515	KG5521						
1983-02	Police Car & Taxi		344081	343135	KG5458	KG5521						
1983-86	Marquis		235005	343163		KG5559		SM5036			SB103	
1979-82	ALL		343128	343135	KG4515	KG5521						
1965-78	ALL		343128	343149	KG4515	KG5522						
1961-64	ALL		343127	343136	KG4515							
1957-60	ALL		343127	343219	KG4515	KG5517						
MERCURY Bobcat												
1975-80	ALL (Exc.S/W)		343134	343137	KG4511	KG5514						
1975-80	S/W		343134		KG4511							
MERCURY Capri, Capri II												
1991-94	All	Right Hand	234008						SM5141	SM5045	SB105	SB103
		Left Hand	234009						SM5141	SM5045	SB105	SB103
1984-86	AXLE DAMPER (Rear Quad Shock)					KG4521 (23)						
1983-86	ALL (Exc.Special Handling)		235005	343163		KG5559		SM5036			SB103	
1983-86	w/Special Handling Pkg.		235005	343161		KG5551		SM5036			SB103	
1982	ALL			343163		KG5559					SB103	
1979-81	ALL			343161		KG5551					SB103	
1971-78	ALL			343135 (7)							SB101	
MERCURY Comet												
1971-77	ALL		343146	343136	KG4517							
1966-70	ALL (Exc.S/W)		343156	343219	KG4505	KG5517						
1966-70	S/W		343156	343135	KG4505							
1960-65	ALL		343156	343219	KG4505	KG5517						
MERCURY Cougar, XR7												
1998-02	Cougar		235620	235621					SM5138	SM5140	SB105	SB102
1989-97	ALL (Exc.Adjustable Suspension) (Footnote # 22)		231015	344110					SM5187			

Applications for Passenger Cars

VEHICLE MAKE, MODEL & YEAR	MARQUE, MODÉLÉ ET ANNÉE DU VÉHICULE	La MARCA el MODELO & AÑO	GR-2		Gas-a-Just		AGX		STRUT & SHOCK MOUNTS / KITS		BOOT KITS	
			FRONT	REAR	FRONT	REAR	FRONT	REAR	FRONT	REAR	FRONT	REAR
MERCURY Cougar, XR7 CONTINUED												
1987-88	ALL (Exc.Turbo) (Footnote # 22)		235005	343162		KG5556			SM5054		SB103	
1984-88	AXLE DAMPER (Rear Quad Shock)					KG4521 (23)						
1983-86	ALL		235002	343162		KG5556			SM5054		SB103	
1981-82	ALL (Exc.XR-7)		235005	343163		KG5559			SM5036		SB103	
12/80-82	XR-7		235002	343162		KG5556			SM5054		SB103	
1974-79	ALL		343128	343135	KG4515	KG5521						
1971-73	ALL		343156	343219	KG4504	KG5517						
1967-70	ALL		343146	343219	KG4517	KG5517						
MERCURY Lynx, LN7, XR3												
1985-88	ALL (Built from 3/1/85)		333141 234014 (28)	231002					SM5037	SM5269	SB101	SB103
1985-88	Strut Mount Bearing for SM5037								SM5006			
1983-85	ALL (Built 2/1/83 thru 3/1/85)		234018	231002					SM5268	SM5269	SB101	SB103
1981-83	ALL (Built thru 2/1/83)			231002					SM5268	SM5269	SB101	SB103
MERCURY Marauder												
2003-04	ALL				551602	551603			SM5392			
MERCURY Monterey > See Truck Section												
MERCURY Mountaineer > See Truck Section												
MERCURY Monarch												
1975-80	ALL		343133	343136								
MERCURY Montego, Cyclone												
1972-76	ALL		343128	343135	KG4515	KG5521						
1968-71	ALL (Exc.S/W)		343156	343219	KG4505	KG5517						
1968-71	S/W		343156	343135	KG4505							
MERCURY Mystique												
3/97-2000	ALL		235620	235621					SM5138	SM5140	SB105	
1995-2/97	ALL		235910	235911					SM5138	SM5140	SB105	
MERCURY Sable												
2000-06	Sedan	Right Hand	334292	334294					SM5113		SB103	SB101
		Left Hand	334293	334294					SM5113		SB103	SB101
2000-05	Station Wagon	Right Hand	334292	344434		KG5575				SM5267		
		Left Hand	334293	344434		KG5575				SM5267		

Applications for Passenger Cars

VEHICLE MAKE, MODEL & YEAR	MARQUE, MODÉLÉ ET ANNÉE DU VÉHICULE	La MARCA el MODELO & AÑO	GR-2		Gas-a-Just		AGX		STRUT & SHOCK MOUNTS / KITS		BOOT KITS	
			FRONT	REAR	FRONT	REAR	FRONT	REAR	FRONT	REAR	FRONT	REAR
MERCURY Sable CONTINUED												
1996-99	Sedan		334168	334169					SM5113	SM5055	SB103	SB103
1996-99	Station Wagon		334168	344432		KG5574			SM5113	SM5267	SB103	
1996-05	Front Strut Upper Springseat								SM5227			
1991-95	Sedan		235054	334325 235011 (27)					SM5038	SM5055	SB103	SB103
1991-95	Lower Springseat Insulator (Exc. S/W)									SM5414		
1988-95	Lower Springseat Insulator								SM5415			
1986-95	Station Wagon		235054	344271		KG5567			SM5038	SM5267	SB103	
1986-95	Strut Mount Bearing for SM5038								SM5005			
1986-95	Front Strut Upper Springseat								SM5156			
1986-95	Front Strut Mounting Kit								SM5271			
1986-90	Sedan		235054	334325 235011 (27)					SM5038	SM5015	SB103	SB103
1986-90	Front Strut Mount								SM5272			
1986-90	Rear Strut Upper Springseat Insulator									SM5235		

MERCURY Topaz												
1985-94	ALL (Built from 3/1/85)(Exc.4 W/D)		333141 234014 (28)	234016					SM5037	SM5014	SB103	SB103
1984-94	Front Strut Mounting Kit								SM5270			
1984-94	Strut Mount Bearing for SM5037								SM5006			
1984-94	Upper Springseat									SM5347		
1987-91	4 W/D		333141						SM5037	SM5014	SB103	SB103
1984-85	ALL (Built thru 3/1/85)		234015	234016					SM5037	SM5014	SB101	SB103

MERCURY Tracer												
1997-99	ALL(Exc.ABS)	Right Hand	234037	234039					SM5044	SM5046	SB105	SB104
		Left Hand	234038	234040					SM5044	SM5046	SB105	SB104
1991-96	ALL(Exc.ABS & 4 W/D)	Right Hand	234037	234039					SM5044	SM5046	SB101	SB102
		Left Hand	234038	234040					SM5044	SM5046	SB101	SB102
1991-99	Strut Mount w/ bearing								SM5170			
1991-99	Rear Springseat Insulator									SM5430		
1991-99	Front Strut Upper Springseat								SM5155			
1987-90	ALL (Exc.S/W)	Right Hand	234008	232011					SM5039	SM5045	SB102	SB102
		Left Hand	234009	232012					SM5039	SM5045	SB102	SB102
1987-90	S/W	Right Hand	234008						SM5039	SM5045	SB102	SB102
		Left Hand	234009						SM5039	SM5045	SB102	SB102

MERCURY Villager > See Truck Section

Applications for Passenger Cars

VEHICLE MAKE, MODEL & YEAR	MARQUE, MODÉLÉ ET ANNÉE DU VÉHICULE	La MARCA el MODELO & AÑO	GR-2		Gas-a-Just		AGX		STRUT & SHOCK MOUNTS / KITS		BOOT KITS	
			FRONT	REAR	FRONT	REAR	FRONT	REAR	FRONT	REAR	FRONT	REAR
MERCURY Zephyr												
1983	ALL		235005	343163		KG5559			SM5036		SB103	
1982	ALL (Exc.TRX Suspension)		235001	343163		KG5559			SM5036		SB103	
1978-81	ALL (Exc.TRX Suspension)		235001	343161		KG5551					SB103	
1981-82	ALL w/TRX Suspension		235005	343163		KG5559			SM5036		SB103	
MERKUR XR4Ti, Scorpio												
1987-89	Scorpio		235022			KG4546					SB101	
1985-89	XR4Ti		234026			KG4545					SB101	
MITSUBISHI 3000GT												
1991-99	ALL (Exc. Adjustable Susp.& VR4) (Footnote # 22)		335013	341183					SM5096	SM5091	SB101	SB108
1991-99	VR4 Model w/o Adjustable Suspension		335013						SM5096	SM5091	SB101	SB108
MITSUBISHI Cordia												
1983-88	ALL		235006			KG4192					SB103	
MITSUBISHI Diamante												
2001-03	Sedan	Right Hand	334271	341274					SM5295		SB101	SB101
		Left Hand	334272	341274					SM5295		SB101	SB101
1997-00	Sedan	Right Hand	334271	341274					SM5194		SB101	SB101
		Left Hand	334272	341274					SM5194		SB101	SB101
1992-96	Sedan (Exc. Adj.Damping/Air Height System)		236008	341134					SM5194		SB101	SB108
1993-96	Station Wagon (Exc. Adj.Damping/Air Height System)		236008						SM5194		SB101	SB108
MITSUBISHI Eclipse												
2000-05	ALL	Right Hand	334267	341164			734019	741020	SM5388	SM5091	SB103	SB103
		Left Hand	334268	341164			734020	741020	SM5388	SM5091	SB103	SB103
2001-05	Upper Springseat Insulator									SM5433		
1995-99	2 W/D - All		341163	341165			741042	741019	SM5091	SM5091	SB103	SB103
1995-99	4 W/D - All		341163	341164			741042	741020	SM5091	SM5091	SB103	SB103
1990-94	2 W/D - All		235032	341114			734005	741013	SM5072	SM5091	SB101	SB108
1990-94	4 W/D - All		235032	341121			734005	741014	SM5072	SM5091	SB101	SB108
MITSUBISHI Expo & Expo LRV												
1992-96	Wagon - 2W/D		235032	343262			734005		SM5195	SM5091	SB101	SB108
MITSUBISHI Galant, Galant Sigma, Sigma (Exc.Adj.Suspensions)												
2005	Galant			341373 (9)								
2004-05	Galant	Right Hand	334432 (9)	341373 (9)								
		Left Hand	334433 (9)	341373 (9)								

Applications for Passenger Cars

VEHICLE MAKE, MODEL & YEAR	MARQUE, MODÉLÉ ET ANNÉE DU VÉHICULE	La MARCA el MODELO & AÑO	GR-2		Gas-a-Just		AGX		STRUT & SHOCK MOUNTS / KITS		BOOT KITS	
			FRONT	REAR	FRONT	REAR	FRONT	REAR	FRONT	REAR	FRONT	REAR
MITSUBISHI Galant, Galant Sigma, Sigma (Exc.Adj.Suspensions) CONTINUED												
1999-03	Galant	Right Hand	235630	341293					SM5388	SM5091	SB103	SB107
		Left Hand	235631	341293					SM5388	SM5091	SB103	SB107
2001-05	Upper Springseat Insulator									SM5433		
1994-98	Galant - 2W/D		341141	341142			741018	741022	SM5091	SM5091	SB101	SB101
1989-93	Galant - 2W/D		235032	341054			734005	741013	SM5242	SM5091	SB101	SB108
1989-92	Galant - 4W/D		235032	341121			734005	741014	SM5242	SM5091	SB101	SB107
1989-90	Galant Sigma, Sigma (Exc.Adj.Susp &ABS Brakes)		235007	341054						SM5091	SB101	SB107
1985-88	ALL Exc.Adj.Susp &ABS Brakes		235007	341054					SM5316	SM5091	SB104	SB107
1985-88	ALL w/ ECS								SM5321			

MITSUBISHI Lancer												
2002-06	ES Model		333382	341342					SM5320	SM5091	SB101	SB108
2002-06	Evolution			341349							SB104	
2002-06	LS Model		334420 (9)	341368 (9)					SM5320	SM5091	SB101	SB108
2002-06	OZ Rally		334420 (9)	341368 (9)					SM5320	SM5091	SB101	SB108
2004-06	Ralliart (Exc. Sportback)		334369						SM5320	SM5091	SB101	SB108
2004	Sportback LS (Wagon)		334420 (9)	341368 (9)					SM5320	SM5091	SB101	SB108
2004	Sportback Ralliart Wagon		334369	341368 (9)					SM5320	SM5091	SB101	SB108
2002-04	Strut mount w/ bearing (Exc. Evolution)								SM5152			
2002-04	Strut mount bearing only (Exc. Evolution)								SM5128			

MITSUBISHI Mirage												
4/97-02	ALL w/ 1.5L engine	Right Hand	332112 (9)	341140				741033	SM5320	SM5091	SB103	SB108
		Left Hand	332113 (9)	341140				741033	SM5320	SM5091	SB103	SB108
4/97-02	1.8L w/ 6" Spring O.D.	Right Hand	333318 (9)	341140				741033	SM5320	SM5091	SB103	SB108
		Left Hand	333319 (9)	341140				741033	SM5320	SM5091	SB103	SB108
4/97-01	Strut mount w/ bearing								SM5152			
1997-3/97	ALL	Right Hand	333224	341140				741033	SM5311	SM5091	SB103	SB108
		Left Hand	333225	341140				741033	SM5311	SM5091	SB103	SB108
1993-96	1.5L, 1.8L w/ 6" Spring O.D.	Right Hand	234061	341140					SM5109	SM5091	SB101	SB108
		Left Hand	234062	341140					SM5109	SM5091	SB101	SB108
1989-92	ALL		235033	341084					SM5063	SM5091	SB101	SB108
1987-88	ALL w/ Power Steering		233025	342014			KG3200A		SM5061		SB104	
1987-88	ALL w/o Power Steering		233025	342014			KG3200A		SM5062		SB104	
1985-86	ALL		233013	342014			KG3200A		SM5316		SB104	

MITSUBISHI Pickup and Van > See Truck Section

Applications for Passenger Cars

VEHICLE MAKE, MODEL & YEAR	MARQUE, MODÉLÉ ET ANNÉE DU VÉHICULE	La MARCA el MODELO & AÑO	GR-2		Gas-a-Just		AGX		STRUT & SHOCK MOUNTS / KITS		BOOT KITS	
			FRONT	REAR	FRONT	REAR	FRONT	REAR	FRONT	REAR	FRONT	REAR
MITSUBISHI Precis												
1990-94	ALL		234043			KG4192			SM5060		SB116	
1989	ALL		365074			KG4192			SM5032		SB116	
1987-88	ALL		365027			KG4192			SM5032		SB103	

MITSUBISHI Starion												
9/86-89	ALL(Exc.Adj.Susp.)	Right Hand	365060	235003					SM5313	SM5310	SB102	SB101
		Left Hand	365060	235004					SM5313	SM5310	SB102	SB101
83-8/86	ALL(Exc.Adj.Susp.)	Right Hand	365029	235003					SM5313	SM5310	SB102	SB102
		Left Hand	365029	235004					SM5313	SM5310	SB102	SB102

MITSUBISHI Tredia												
1983-88	ALL		235006			KG4192			SM5095		SB103	

NISSAN Altima												
2005	Strut Mount with Bearing								SM5409		SB104	SB108
2004	ALL	Right Hand	334336	344395					SM5409	SM5381	SB104	SB108
		Left Hand	334337	344395					SM5409	SM5381	SB104	SB108
2002-03	ALL	Right Hand	334336	344395					SM5409	SM5381	SB104	SB108
		Left Hand	334337	344395					SM5409	SM5381	SB104	SB108
1998-01	ALL	Right Hand	235607	334135					SM5218	SM5107	SB101	SB103
		Left Hand	235608	334136					SM5218	SM5107	SB101	SB103
1993-97	ALL	Right Hand	235607	334135					SM5106	SM5107	SB101	SB103
		Left Hand	235608	334136					SM5106	SM5107	SB101	SB103

NISSAN Axxess												
1990-94	2 W/D	Right Hand	235051						SM5102	SM5100	SB103	SB103
		Left Hand	235052						SM5102	SM5099	SB103	SB103
	AWD	Right Hand	235051						SM5102			
		Left Hand	235052						SM5102			
1990-94	Front Strut Mount Bearing (only)								SM5064			

NISSAN 110 & 210												
1979-82	210-ALL		364003	343140		KG4764A					SB103	
1973-78	B-210 Sedan		364003	343140							SB103	
1973-78	B-210 Hatchback		364003	343143 (5)							SB103	
1970-73	110-Sedan 1200			343140							SB103	
1970-73	110-Coupe 1200			343143 (5)							SB103	

Applications for Passenger Cars

VEHICLE MAKE, MODEL & YEAR	MARQUE, MODÉLÉ ET ANNÉE DU VÉHICULE	La MARCA el MODELO & AÑO	GR-2		Gas-a-Just		AGX		STRUT & SHOCK MOUNTS / KITS		BOOT KITS	
			FRONT	REAR	FRONT	REAR	FRONT	REAR	FRONT	REAR	FRONT	REAR
NISSAN 200SX												
1995-99	ALL	Right Hand	333219	341194			733008	741021	SM5066	SM5154	SB101	
		Left Hand	333220	341194			733009	741021	SM5066	SM5154	SB101	
1995-99	Strut mount w/ bearing								SM5153			
1995-99	Strut mount bearing								SM5128			
1985-88	ALL		365031	343210		KG4754A			SM5064		SB103	
1984	ALL (Exc.1.8L Turbo)		365031						SM5064		SB103	
1984	1.8L Turbo		365031	343210		KG4754A			SM5064		SB103	
1980-83	ALL		364003	343140		KG4764A					SB103	
1976-79	ALL			343140							SB103	
1984-88	Strut Mounting Kit								SM5322			

NISSAN 240SX												
1995-98	ALL	Right Hand	334184	341222			734023	741045	SM5101	SM5154	SB104	SB108
		Left Hand	334185	341222			734024	741045	SM5101	SM5154	SB104	SB108
1989-94	ALL (Exc. Hicas Susp)	Right Hand	234051	341099			733006	741017	SM5101	SM5154	SB103	SB108
		Left Hand	234052	341099			733007	741017	SM5101	SM5154	SB103	SB108
1989-94	ALL w/ Hicas Susp.	Right Hand	234051				733006		SM5101		SB103	
		Left Hand	234052				733007		SM5101		SB103	

NISSAN 240Z, 260Z, 280Z, 280ZX, 300ZX, and Datsun Roadster > See Nissan Z-Car Listing

NISSAN 410,411 Bluebird												
1964-69	ALL		343127	343135	KG4515							

NISSAN 510												
1978-81	ALL (Exc.S/W)		364003	343140							SB103	
1978-81	S/W		364003								SB103	
8/71-73	ALL (Exc.S/W)			343149							SB103	
8/71-72	S/W			343135							SB103	
9/69-7/71	ALL (Exc.S/W)			343149							SB103	
9/69-7/71	S/W			343135							SB103	
1968-8/69	ALL (Exc.S/W)			343149							SB103	
1968-8/69	S/W			343135							SB103	

NISSAN 610												
1972-76	ALL (Exc.S/W)			343149							SB103	
1972-76	S/W			343157							SB103	

NISSAN 710												
1973-77	ALL (Exc.S/W)			343149							SB103	
1973-77	S/W			343157							SB103	

Applications for Passenger Cars

VEHICLE MAKE, MODEL & YEAR	MARQUE, MODÉLÉ ET ANNÉE DU VÉHICULE	La MARCA el MODELO & AÑO	GR-2		Gas-a-Just		AGX		STRUT & SHOCK MOUNTS / KITS		BOOT KITS	
			FRONT	REAR	FRONT	REAR	FRONT	REAR	FRONT	REAR	FRONT	REAR
NISSAN 810 & Maxima (Exc.Electronically Adj. Susp.) (Footnote # 22)												
2004-06	ALL	Right Hand	334336	344450					SM5409	SM5381	SB104	SB108
		Left Hand	334337	344450					SM5409	SM5381	SB104	SB108
2002-03	ALL	Right Hand	334366	341341					SM5409	SM5217	SB104	SB108
		Left Hand	334367	341341					SM5409	SM5217	SB104	SB108
2000-01	ALL	Right Hand	334265	341271					SM5409	SM5217	SB104	SB108
		Left Hand	334266	341271					SM5409	SM5217	SB104	SB108
1995-99	ALL	Right Hand	334150	341202			734017	741039	SM5324	SM5123	SB104	SB108
		Left Hand	334151	341202			734018	741039	SM5324	SM5123	SB104	SB108
1989-94	ALL	Right Hand	235051	365079					SM5102	SM5100	SB103	SB101
		Left Hand	235052	365079					SM5102	SM5099	SB103	SB101
1995-99	Strut Mount Bearing for SM5122								SM5323			
1995-99	Strut Mount and Bearing								SM5122			
1989-94	Strut Mount Bearing for SM5102								SM5064			
1986-88	ALL	Right Hand	235019	361008					SM5065	SM5100	SB104	SB103
		Left Hand	235020	361008					SM5065	SM5099	SB104	SB103
1985	ALL	Right Hand	235030	361008					SM5065	SM5100	SB104	SB103
		Left Hand	235031	361008					SM5065	SM5099	SB104	SB103
1981-84	ALL (Exc.S/W)		365013	341012			KG9101				SB103	(2)
2/82-84	S/W		365013						SM5064		SB103	
81-1/82	S/W		365013						SM5064		SB103	
1977-80	ALL (Exc.S/W)			341012			KG9101		SM5064		SB103	(2)
1977-80	S/W			343157					SM5064		SB103	

NISSAN Micra (Canadian Vehicle)												
1983-92	ALL	Right Hand	232017	341056								
		Left Hand	232018	341056								

NISSAN Multi (Canadian Vehicle)												
1986-89	2W/D			344055			KG5538			SM5048		
1982-85	2W/D		364004	344055			KG5538			SM5048		SB102
1986-88	Strut Mounting Kit									SM5327		

NISSAN NX													
1991-95	ALL	Right Hand	234048	232031				733014	732001		SM5085	SB103	SB103
		Left Hand	234049	232032				733015	732002		SM5085	SB103	SB103

NISSAN Pulsar													
1987-90	ALL	Right Hand	232009	232007						SM5048	SM5048	SB101	SB103
		Left Hand	232010	232008						SM5048	SM5048	SB101	SB103
1987-90	Strut Mounting Kit									SM5327			

Applications for Passenger Cars

VEHICLE MAKE, MODEL & YEAR	MARQUE, MODÉLÉ ET ANNÉE DU VÉHICULE	La MARCA el MODELO & AÑO	GR-2		Gas-a-Just		AGX		STRUT & SHOCK MOUNTS / KITS		BOOT KITS	
			FRONT	REAR	FRONT	REAR	FRONT	REAR	FRONT	REAR	FRONT	REAR
			NISSAN Pulsar CONTINUED									
1983-86	ALL (Exc.Turbo)	Right Hand	232003	342008					SM5048	SM5048	SB101	
		Left Hand	232004	342008					SM5048	SM5048	SB101	
1983-90	Strut Mount Bearing for SM5048								SM5128			

NISSAN Pickup & Van > See Truck Section

NISSAN Quest > See Truck Section

NISSAN Sentra

2002-05	Sedan & SE-R Spec-V	Right Hand	333310	341279					SM5216	SM5213	SB101	SB108
		Left Hand	333311	341279					SM5216	SM5213	SB101	SB108
2002-05	SE-R	Right Hand	333394	341279					SM5216	SM5213	SB101	SB108
		Left Hand	333395	341279					SM5216	SM5213	SB101	SB108
2000-01	ALL	Right Hand	333344	341279					SM5216	SM5213	SB101	SB108
		Left Hand	333345	341279					SM5216	SM5213	SB101	SB108
1995-99	ALL (B14)	Right Hand	333219	341194			733008	741021	SM5066	SM5154	SB101	SB108
		Left Hand	333220	341194			733009	741021	SM5066	SM5154	SB101	SB108
1991-95	ALL (B13)	Right Hand	234048	232031			733014	732001	SM5066	SM5154	SB101	SB101
		Left Hand	234049	232032			733015	732002	SM5066	SM5154	SB101	SB101
1991-99	Strut Mount Bearing for SM5066								SM5128			
1987-90	ALL (Exc.4W/D S/W)	Right Hand	232009	232007					SM5048	SM5048	SB101	SB101
		Left Hand	232010	232008					SM5048	SM5048	SB101	SB101
1987-90	4 W/D Station Wagon	Right Hand	232009						SM5048	SM5048	SB103	
		Left Hand	232010						SM5048	SM5048	SB103	
1982-86	ALL	Right Hand	232003	342008					SM5048		SB117	
		Left Hand	232004	342008					SM5048		SB117	
1982-90	Strut Mounting Kit								SM5327			
1987-90	Strut Mount Bearing for SM5048								SM5128			
1982-86	Strut Mount Bearing for SM5048								SM5064			

NISSAN Sentra Classic (Canadian Vehicle)

1991-92	ALL	Right Hand	232009	232007					SM5048	SM5048	SB101	SB101
		Left Hand	232010	232008					SM5048	SM5048	SB101	SB101
1991-92	Strut Mounting Kit								SM5327			
1991-92	Strut Mount Bearing for SM5048								SM5128			

NISSAN Stanza

1990-92	Sedan	Right Hand		365079						SM5100	SB103	SB104
		Left Hand		365079						SM5099	SB103	SB104
1987-89	ALL (Exc. S/W)	Right Hand	235019	361008					SM5065	SM5099	SB104	SB103
		Left Hand	235020	361008					SM5065	SM5100	SB104	SB103

Applications for Passenger Cars

VEHICLE MAKE, MODEL & YEAR	MARQUE, MODÉLÉ ET ANNÉE DU VÉHICULE	La MARCA el MODELO & AÑO	GR-2		Gas-a-Just		AGX		STRUT & SHOCK MOUNTS / KITS		BOOT KITS		
			FRONT	REAR	FRONT	REAR	FRONT	REAR	FRONT	REAR	FRONT	REAR	
			NISSAN Stanza CONTINUED										
1982-86	ALL (Exc. S/W)		364004	364005							SM5325	SB102	SB102
1986-89	2W/D Station Wagon			344055		KG5538				SM5048			
1982-85	2W/D Station Wagon		364004	344055		KG5538						SB102	
1986-90	Strut Mounting Kit (2W/D Station Wagon)									SM5327			

NISSAN Titan > See Truck Section

NISSAN Z-Car and DATSUN 1600/1800/2000 Roadsters (310,311 SPL)

2004-05	350Z Convertible	Right Hand	341366 (9)	344455 (9)									
		Left Hand	341367 (9)	344455 (9)									
2003	350Z Convertible			344455 (9)									
1990-96	300ZX (Exc.Adj.) (See Footnote # 22)	Right Hand	341149	341151			741026	741028	SM5196	SM5154	SB101	SB108	
		Left Hand	341150	341151			741027	741028	SM5196	SM5154	SB101	SB108	
1984-89	300ZX, 300ZX Turbo (Exc.Adj.) (Footnote # 22)		365056			KG5787A			SM5097	SM5325	SB104	SB107	
1984-89	Strut Mount Bearing for SM5097								SM5064				
1979-8/81	280ZX (Exc. Turbo)		365013	341012		KG9101					SB103	(2)	
12/80-8/81	280ZX Turbo		365013			KG9113					SB103	(2)	
9/81-83	280ZX ALL and 260Z 2+2		365013			KG9113					SB103	(2)	
1975-78	280Z ALL		361002	361003							SB103	SB103	
1974	260Z ALL (Exc.2+2)-Thru Chassis No. RLS30-060000		361002	361001							SB103	SB103	
1974-75	260Z ALL (Exc.2+2)-From Chassis No. RLS30-060001		361002	361003							SB103	SB103	
1970-74	240Z ALL		361002	361001							SB103	SB103	
1962-70	Datsun 1600/1800/2000 Roadsters		343138	343136		KG4528							
1970-83	Z - CAR Front Strut Mount Bearing (only)								SM5064				

OLDSMOBILE Full Size - Ninety Eight, Eighty Eight, Regency, LSS (Exc.Electronically Adjustable Susp.)

1991-99	Ninety-Eight, Regency, LSS w/ FWD		236007	(21)					SM5057	SM5017	SB104	SB128	
1990-99	Lower Springseat Insulator fits the 2nd Design Springseat without bracket (Eighty-Eight)								SM5412				
1987-90	Ninety-Eight w/ FWD		236002	(21)					SM5026	SM5017	SB105		
1985-86	Ninety-Eight w/ FWD		236002	(21)					SM5026	SM5017	SB105		
1991-99	Delta 88 w/o Self-leveling Rear		236007	235025					SM5057	SM5017	SB104	SB128	
1991-99	Delta 88 with Self-leveling Rear		236007	(21)					SM5057	SM5017	SB104		
1990-99	Front Strut Upper Springseat w/ Insulator								SM5230				
1991-96	Lower Springseat Insulator (Ninety-Eight)								SM5412				
1987-96	Strut Mount Bearing only (98 Regency)								SM5284				
1987-96	Strut Mount Bearing only (Delta 88)								SM5284				

Applications for Passenger Cars

VEHICLE MAKE, MODEL & YEAR	MARQUE, MODÉLÉ ET ANNÉE DU VÉHICULE	La MARCA el MODELO & AÑO	GR-2		Gas-a-Just		AGX		STRUT & SHOCK MOUNTS / KITS		BOOT KITS	
			FRONT	REAR	FRONT	REAR	FRONT	REAR	FRONT	REAR	FRONT	REAR
			OLDSMOBILE Full Size - Ninety Eight, Eighty Eight, Regency, LSS (Exc. Electronically Adjustable Susp.) CONTINUED									
1986-90	Upper Springseat w/ Insulator									SM5350		
1985-90	Strut Mounting Kit (98 Regency)									SM5281		
1985-90	Lower Springseat Insulator (Regency 98)									SM5411		
1986-Early 90	Strut Mounting Kit (Delta 88)									SM5281		
1986-Early 90	Lower Springseat Insulator fits the 1st Design Springseat with bracket (Delta 88)									SM5411		
1990	Delta 88 Early Design Front Struts with Spring Guard											
	- with Self-leveling Rear	236002	(21)							SM5026	SM5017	SB105
	- w/o Self-leveling Rear	236002	235025							SM5026	SM5017	SB105 SB104
1990	Delta 88 Late Design Front Struts without Spring Guard											
	- with Self-leveling Rear	236007	(21)							SM5057	SM5017	SB104
	- w/o Self-leveling Rear	236007	235025							SM5057	SM5017	SB104 SB104
1987-89	Delta 88 w/o Self-leveling Rear	236002	235025							SM5026	SM5017	SB105 SB104
1987-89	Delta 88 with Self-leveling Rear	236002	(21)							SM5026	SM5017	SB105
1986	Delta 88 w/o Self-leveling Rear	236002	235025								SM5017	SB105 SB104
1986	Delta 88 with Self-leveling Rear	236002	(21)								SM5017	SB105
1977-85	All RWD Models (Exc.S/W)	343127	343130	KG4515	KG5507							
1977-96	S/W	343127	343157	KG4515	KG5504							
1971-76	All (Exc.S/W)	343127	343130	KG4515	KG5507							
1971-76	S/W	343127	343157	KG4515								
1969-70	ALL	343128	343130	KG4515								
1965-68	ALL	343128		KG4515	KG5508							

OLDSMOBILE Achieva												
1995-98	ALL (w/o swaybar brkt.)	Right Hand	235604	343402		KG4552				SM5142	SM5010	SB103
		Left Hand	235605	343402		KG4552				SM5142	SM5010	SB103
1995-98	ALL (w/ swaybar brkt.)	Right Hand		343402		KG5576				SM5142	SM5010	SB103
		Left Hand		343402		KG5576				SM5142	SM5010	SB103
1992-98	Lower Springseat Insulator									SM5431		
1992-94	ALL (w/o swaybar brkt.)	Right Hand	235604	343177		KG4536				SM5073	SM5010	SB103
		Left Hand	235605	343177		KG4536				SM5073	SM5010	SB103
1992-94	ALL (w/ swaybar brkt.)	Right Hand		343177		KG4536				SM5073	SM5010	SB103
	(Exc. Adj. Susp.)	Left Hand		343177		KG4536				SM5073	SM5010	SB103
1995-98	Strut Mount Bearing only									SM5284		
1995-98	Front Strut Upper Springseat w/ Insulator									SM5228		
1992-94	Strut Mount Bearing only									SM5284		
1992-94	Upper Springseat w/ Insulator									SM5349		

Applications for Passenger Cars

VEHICLE MAKE, MODEL & YEAR	MARQUE, MODÉLÉ ET ANNÉE DU VÉHICULE	La MARCA el MODELO & AÑO	GR-2		Gas-a-Just		AGX		STRUT & SHOCK MOUNTS / KITS		BOOT KITS	
			FRONT	REAR	FRONT	REAR	FRONT	REAR	FRONT	REAR	FRONT	REAR
OLDSMOBILE Alero												
1999-04	ALL		334229	334295			734056	734057	SM5146	SM5145	SB104	SB101
1999-04	Upper Springseat Insulator								SM5438			
1999-04	Lower Springseat Insulator								SM5420			

OLDSMOBILE Aurora												
2001-03	ALL w/ Self-Leveling Rear		335037						SM5276	SM5334	SB103	
2001-03	ALL w/o Self-Leveling Rear		335037						SM5276	SM5334	SB103	
1998-03	Strut Mounting Kit								SM5276			
1995-03	Strut Mount									SM5334		
2002-03	Front Strut Upper Springseat w/ Insulator								SM5435			
2001-03	Front Strut Lower Springseat Insulator								SM5437			
1998-01	Front Strut Upper Springseat w/ Insulator								SM5436			
1997-99	Front Strut Lower Springseat Insulator								SM5437			
1995-97	Front Strut Upper Springseat w/ Insulator								SM5230			
1995-96	ALL		236007								SB101	
1995-96	Strut Mounting Kit								SM5286			
1995-96	Strut Mount Bearing only								SM5284			
1995-96	Lower Springseat Insulator								SM5412			

OLDSMOBILE Bravada > See Truck Section

OLDSMOBILE Calais, Cutlass Calais												
1987-91	ALL	Right Hand	231013	343177			KG4536			SM5007	SM5010	SB104
		Left Hand	231014	343177			KG4536			SM5007	SM5010	SB104
1985-86	ALL w/Sealed Struts	Right Hand	231013	343177			KG4536			SM5007	SM5010	SB104
		Left Hand	231014	343177			KG4536			SM5007	SM5010	SB104
1985-86	ALL w/Rebuildable Struts		366003 (18)	343177			KG4536			SM5007	SM5010	SB104
1985-91	Springseat									SM5348		

OLDSMOBILE Cutlass Ciera												
1990-96	ALL (Includes Cruiser)		234019	343160			KG5555			SM5043	SM5010	SB104
1984-96	Front Strut Upper Springseat w/ Insulator								SM5229			
1985-89	ALL		234019	343160			KG5555			SM5056	SM5010	SB104
1984	ALL w/H.D.Suspension		234019	343160			KG5555			SM5056	SM5010	SB104
1984	ALL w/Std.Suspension		234002	343160			KG5555			SM5056	SM5010	SB104
1982-83	ALL		234002	343160			KG5555			SM5056		SB104

Applications for Passenger Cars

VEHICLE MAKE, MODEL & YEAR	MARQUE, MODÉLÉ ET ANNÉE DU VÉHICULE	La MARCA el MODELO & AÑO	GR-2		Gas-a-Just		AGX		STRUT & SHOCK MOUNTS / KITS		BOOT KITS	
			FRONT	REAR	FRONT	REAR	FRONT	REAR	FRONT	REAR	FRONT	REAR
			OLDSMOBILE Cutlass, F-85, Cutlass Supreme									
1998 Late to 1999	Cutlass w/ 2.50" rear strut bolt hole spacing		334229	334295			734056	734057	SM5146	SM5145	SB104	SB101
1997-99	Upper Springseat Insulator								SM5438			
1997-99	Lower Springseat Insulator								SM5420			
1997-Early 98	Cutlass w/ 3.25" rear strut bolt hole spacing		334229	334230			734056		SM5146	SM5145	SB104	SB101
1990-97	Cutlass Supreme(FWD) w/ Std. Suspension		366004 (20)	236003					SM5029	SM5016	SB104	SB106
1990-97	Cutlass Supreme(FWD) w/ H.D. Suspension		366004 (20)	236003					SM5030	SM5016	SB104	SB106
1988-97	Strut Mounting Kit									SM5277		
1988-97	Front Strut Bearing								SM5083			
1988-97	Front Strut Lower Springseat (Left Hand)								SM5225			
1988-97	Springseat kit w/ bearing (Left Hand)								SM5383			
1988-97	Front Strut Lower Springseat (Right Hand)								SM5226			
1988-97	Springseat kit w/ bearing (Right Hand)								SM5384			
1988-89	Cutlass (FWD) w/ Std. Suspension		366004 (20)	236003					SM5025	SM5016	SB104	SB106
1988-89	Cutlass (FWD) w/ H.D. Suspension		366004 (20)	236003					SM5031	SM5016	SB104	SB106
1978-88	ALL (RWD)		343127	343157	KG4513	KG5548						
1973-77	ALL (Exc.Vista Cruiser)		343127	343157	KG4513	KG5504						
1973-77	Vista Cruiser		343127	343157	KG4513							
1968-72	ALL (Exc.Vista Cruiser)		343127	343157	KG4513	KG5504						
1968-72	Vista Cruiser		343127	343135	KG4513	KG5521						
1964-67	ALL (Exc.Vista Cruiser)		343128	343130	KG4515	KG5507						
1964-67	Vista Cruiser		343128	343135	KG4515	KG5521						

OLDSMOBILE Firenze												
1987-88	ALL	Right Hand	231013	343177		KG4536			SM5007	SM5010	SB104	
		Left Hand	231014	343177		KG4536			SM5007	SM5010	SB104	
1986	ALL w/ Sealed struts	Right Hand	231013	343177		KG4536			SM5007	SM5010	SB104	
		Left Hand	231014	343177		KG4536			SM5007	SM5010	SB104	
1986	ALL w/Rebuildable Struts		366003	343177		KG4536			SM5007	SM5010	SB104	
1984-85	ALL		366003	343177		KG4536			SM5007	SM5010	SB104	
1982-83	ALL		365038	343177		KG4536			SM5007		SB104	
1982-87	Springseat								SM5348			

OLDSMOBILE Intrigue												
1997-02	ALL	Right Hand	334227	334228			734058	734059	SM5144	SM5399	SB127	SB105
		Left Hand	334227	334228			734058	734059	SM5144	SM5398	SB127	SB105
1997-02	Strut Mount w/ Bearing								SM5143			
1998-02	Springseat Insulator									SM5440		
1997-02	Universal Rear Strut Mount Kit with boot									SM5394		

Applications for Passenger Cars

VEHICLE MAKE, MODEL & YEAR	MARQUE, MODÉLÉ ET ANNÉE DU VÉHICULE	La MARCA el MODELO & AÑO	GR-2		Gas-a-Just		AGX		STRUT & SHOCK MOUNTS / KITS		BOOT KITS	
			FRONT	REAR	FRONT	REAR	FRONT	REAR	FRONT	REAR	FRONT	REAR
OLDSMOBILE Omega												
1984	ALL		234002	343160		KG5555			SM5056	SM5010	SB104	
1982-83	ALL		234002	343160		KG5555			SM5056		SB104	
1980-81	ALL		234002	343160		KG5555					SB104	
1974-79	ALL		343127	343132	KG4515	KG5506						
1973	ALL		343127	343132	KG4515							

OLDSMOBILE Silhouette > See Truck Section

OLDSMOBILE Starfire

1975-80	ALL		343129	343132								
---------	-----	--	--------	--------	--	--	--	--	--	--	--	--

OLDSMOBILE Toronado

1990-92	Strut Mount Bearing only								SM5284			
1990-92	Strut Mounting Kit								SM5279	SM5275		
1986-89	ALL		236004						SM5114		SB105	
1979-85	ALL				KG4531	KG5573 (25)						
1971-78	ALL (Vertical)			343157	KG4501	KG5504						
1966-70	ALL (Vertical)				KG4501							

OPEL Isuzu

1976-79	ALL		343145									
---------	-----	--	--------	--	--	--	--	--	--	--	--	--

OPEL GT

1969-73	ALL		344098 (4)	343039	KG4613A (4)	KG5552						
---------	-----	--	------------	--------	-------------	--------	--	--	--	--	--	--

OPEL Kadett

1968-72	ALL		344098 (4)	343039	KG4613A (4)	KG5552						
1962-67	ALL		344098 (4)		KG4613A (4)							

OPEL Manta, Rallye & Sport Coupe

1973-75	ALL (Exc.S/W)		343141									
---------	---------------	--	--------	--	--	--	--	--	--	--	--	--

OPEL 1900 Sedan & S/W

1971-75	ALL		343141									
---------	-----	--	--------	--	--	--	--	--	--	--	--	--

PASSPORT I Mark (Canadian Vehicle)

1988-89	ALL (Exc.Lotus Susp.)	Right Hand	232015			KG4542			SM5297		SB102	
		Left Hand	232016			KG4542			SM5297		SB102	
1988-89	ALL w/ Lotus Susp.	Right Hand	232015						SM5297		SB102	
		Left Hand	232016						SM5297		SB102	

Applications for Passenger Cars

VEHICLE MAKE, MODEL & YEAR	MARQUE, MODÉLÉ ET ANNÉE DU VÉHICULE	La MARCA el MODELO & AÑO	GR-2		Gas-a-Just		AGX		STRUT & SHOCK MOUNTS / KITS		BOOT KITS	
			FRONT	REAR	FRONT	REAR	FRONT	REAR	FRONT	REAR	FRONT	REAR
			PASSPORT Impulse (Canadian Vehicle)									
1990-92	ALL (Exc.Lotus Susp. & Exc. 4W/D)	Right Hand	234041	232033					SM5081		SB102	SB105
		Left Hand	234042	232034					SM5081		SB102	SB105
1990-92	2 W/D w/ Lotus Susp.	Right Hand	234041	332076					SM5081		SB102	SB105
		Left Hand	234042	332077					SM5081		SB102	SB105
1990-92	4 W/D	Right Hand	234041						SM5081		SB102	SB105
		Left Hand	234042						SM5081		SB102	SB105

PASSPORT Optima (Canadian Vehicle)												
1988-91	ALL		365025			KG4543					SB101	
1988-93	Strut Mounting Kit								SM5278	SM5010		

PASSPORT Stylus (Canadian Vehicle)												
1991-93	ALL (Exc.Lotus Susp.)	Right Hand	234041	232033					SM5081		SB102	SB105
		Left Hand	234042	232034					SM5081		SB102	SB105
1991-93	ALL w/ Lotus Susp.	Right Hand	234041	332076					SM5081		SB102	SB105
		Left Hand	234042	332077					SM5081		SB102	SB105

PEUGEOT 405, 504, 505, 604												
1989-91	405		235026	341102							SB101	(2)
10/85-88	505 Sedan					KG5566					SB117	
80-9/85	505 Sedan(Exc. Turbo)		364002			KG5566					SB117	
80-9/85	505 Station Wagon(Exc.Turbo)		364002								SB105	
1980-83	504 Station Wagon		364002								SB105	
1976-79	504,505 Sedans		364002			KG5566					SB105	
1976-82	604SL, TI, STi		364002			KG5566					SB105	

PININFARINA Azzura (Spider)												
1983-85	All		343141	343142								

PLYMOUTH Full Size - Fury, Gran Fury, VIP												
1982-89	Gran Fury (Includes Police Pkg.)		343138	343139	KG4528	KG5546						
1980-81	Gran Fury		343158	343139		KG5546						
1975-77	Gran Fury		343138	343159	KG4528	KG5512						
1977-78	Fury (Exc.Police Pkg.)		343158	343139		KG5546						
1977-78	Fury w/Police Pkg.		343158	343159		KG5512						
1975-76	Fury		343158	343159		KG5512						
1974	Fury		343138	343159	KG4528	KG5512						
1965-73	ALL			343159	KG4507	KG5512						
1962-64	ALL			343159	KG4510	KG5512						
1957-	ALL			343159		KG5511						

Applications for Passenger Cars

VEHICLE MAKE, MODEL & YEAR	MARQUE, MODÉLÉ ET ANNÉE DU VÉHICULE	La MARCA el MODELO & AÑO	GR-2		Gas-a-Just		AGX		STRUT & SHOCK MOUNTS / KITS		BOOT KITS	
			FRONT	REAR	FRONT	REAR	FRONT	REAR	FRONT	REAR	FRONT	REAR
PLYMOUTH Acclaim												
1989-95	ALL		235902	343164		KG5563			SM5003		SB103	
1989-95	Front Strut Upper Springseat Front Strut Upper Springseat Spacer Front Strut Lower Springseat Insulator		235045 (16)						SM5130 SM5219 SM5131			
PLYMOUTH Arrow												
1976-81	ALL			343030		KG4006					SB103	
PLYMOUTH Barracuda												
1970-74	ALL				KG4510	KG5512						
1964-69	ALL				KG4509	KG5511						
PLYMOUTH Belvedere, GTX, Satellite, Sebring												
1977-	ALL		343158	343139		KG5546						
1973-76	ALL		343158	343159		KG5512						
1962-72	ALL			343159	KG4510	KG5512						
PLYMOUTH Breeze												
1996-00	ALL		344609	344610						SM5137	SB108	SB107
2000	Front Strut Mounting Kit		235610 (38)	235611 (39)					SM5263			
1996-99	Front Strut Mounting Kit								SM5262			
PLYMOUTH Caravelle												
1/86-88	ALL		235902	343164		KG5563			SM5002		SB104	
1/86-88	Front Strut Upper Springseat Front Strut Upper Springseat Spacer Front Strut Lower Springseat Insulator		235045 (16)						SM5130 SM5219 SM5131			
85-12/85	ALL		234003	343164		KG5563			SM5004		SB104	
PLYMOUTH Caravelle (Canadian Vehicle)												
1984	ALL w/Front Wheel Drive		234003	343164		KG5563			SM5004		SB104	
1983	ALL w/Front Wheel Drive		234001	343164		KG5563			SM5004		SB104	
1977-89	ALL w/Rear Wheel Drive		343138	343139	KG4528	KG5546						

Applications for Passenger Cars

VEHICLE MAKE, MODEL & YEAR	MARQUE, MODÉLÉ ET ANNÉE DU VÉHICULE	La MARCA el MODELO & AÑO	GR-2		Gas-a-Just		AGX		STRUT & SHOCK MOUNTS / KITS		BOOT KITS	
			FRONT	REAR	FRONT	REAR	FRONT	REAR	FRONT	REAR	FRONT	REAR
PLYMOUTH Champ												
1984	ALL (Exc.Turbo)		365027			KG4192			SM5032		SB103	
1984	w/Turbo		233013			KG4192			SM5032		SB103	
1983	ALL		365027						SM5032		SB103	
1982	ALL		365027						SM5032		SB103	
1979-81	ALL		365027			KG4192			SM5032		SB103	

PLYMOUTH Colt & Colt Vista > See DODGE Colt & Colt Vista

PLYMOUTH Conquest > See DODGE Conquest

PLYMOUTH Horizon, Horizon America, Turismo, Duster

1990	ALL			341037					SM5001	SM5018	SB103	
1981-87	ALL 2-door		234001	341036					SM5001	SM5018	SB101	
1981-89	ALL 4-door		234001	341037					SM5001	SM5018	SB101	
1978-80	ALL 2-door		234001						SM5001	SM5018	SB101	
1978-80	ALL 4-door		234001	341035					SM5001	SM5018	SB101	

PLYMOUTH Laser

1990-94	2 W/D - ALL		235032	341114			734005	741013	SM5072	SM5091	SB101	SB108
1992-94	4 W/D - ALL		235032	341121			734005	741014	SM5072	SM5091	SB101	SB108

PLYMOUTH Neon

2000-01	ALL	Right Hand	235627	235628					SM5265	SM5198	SB104	SB101
		Left Hand	235627	235629					SM5265	SM5198	SB104	SB101
2000-01	Strut Mounting Kit								SM5199			
	Upper Springseat w/ bearing								SM5344			
	Lower Springseat Insulator								SM5417			
1995-99	ALL (Exc.Competition Model)		234902	234901					SM5136	SM5135	SB101	SB103
1995-99	Front Strut Upper Springseat								SM5158			

PLYMOUTH Pickup, and Van > See Truck Section

PLYMOUTH Reliant, Reliant America, Reliant K

1/86-89	ALL		235902	343164			KG5563		SM5003		SB104	
1/86-89	Front Strut Upper Springseat								SM5130			
	Front Strut Upper Springseat Spacer								SM5219			
	Front Strut Lower Springseat Insulator								SM5131			
84-12/85	ALL		234003	343164			KG5563		SM5004		SB104	
1983	ALL		234001	343164			KG5563		SM5002		SB101	
1982	ALL		234001	343164			KG5563		SM5001		SB101	
1981	ALL		234001	343164			KG5563		SM5001		SB101	

Applications for Passenger Cars

VEHICLE MAKE, MODEL & YEAR	MARQUE, MODÉLÉ ET ANNÉE DU VÉHICULE	La MARCA el MODELO & AÑO	GR-2		Gas-a-Just		AGX		STRUT & SHOCK MOUNTS / KITS		BOOT KITS	
			FRONT	REAR	FRONT	REAR	FRONT	REAR	FRONT	REAR	FRONT	REAR
PLYMOUTH Roadrunner												
1976-79	ALL		343138	343139	KG4528	KG5546						
1973-75	ALL		343158	343159		KG5512						
1971-72	ALL				KG4510	KG5512						
1968-70	ALL			343159	KG4510	KG5512						
PLYMOUTH Sundance, Duster												
1987-94	ALL		235902	343164		KG5563			SM5003		SB104	
1987-94	Front Strut Upper Springseat Front Strut Upper Springseat Spacer Front Strut Lower Springseat Insulator								SM5130 SM5219 SM5131			
PLYMOUTH Valiant, Duster, Scamp												
1963-76	ALL				KG4509	KG5511						
PLYMOUTH Volare												
1976-80	ALL		343138	343139	KG4528	KG5546						
PLYMOUTH Voyager Mini-van > See Truck Section												
PONTIAC Full Size - Bonneville, SSE, Catalina, Grandville, Parisienne (Exc. Electronically Adjustable Susp.)												
2000-04	Bonneville		335037						SM5276	SM5334	SB101	
2002-05	Front Upper Springseat and Insulator								SM5435			
2000-05	Lower Springseat Insulator								SM5437			
2000-01	Front Upper Springseat and Insulator								SM5436			
1991-99	Bonneville w/o Self-leveling Rear		236007	235025					SM5057	SM5017	SB104	SB128
1991-99	Bonneville with Self-leveling Rear		236007	(21)					SM5057	SM5017	SB104	
1991-99	Front Strut Upper Springseat w/ Insulator								SM5230			
1990-99	Lower Springseat Insulator fits the 2nd Design Springseat without bracket (Bonneville)								SM5412			
Late 1990-96	Strut Mount Bearing only (Exc. FE2 or FW1 Susp.)								SM5284			
1990	Bonneville Early Design Front Struts w/ Spring Guard											
	- with Self-leveling Rear		236002	(21)					SM5026	SM5017	SB105	
	- w/o Self-leveling Rear		236002	235025					SM5026	SM5017	SB105	SB104
1990	Bonneville Late Design Front Struts w/o Spring Guard											
	- with Self-leveling Rear		236007	(21)					SM5057	SM5017	SB104	
	- w/o Self-leveling Rear		236007	235025					SM5057	SM5017	SB104	SB104

Applications for Passenger Cars

VEHICLE MAKE, MODEL & YEAR	MARQUE, MODÉLÉ ET ANNÉE DU VÉHICULE	La MARCA el MODELO & AÑO	GR-2		Gas-a-Just		AGX		STRUT & SHOCK MOUNTS / KITS		BOOT KITS	
			FRONT	REAR	FRONT	REAR	FRONT	REAR	FRONT	REAR	FRONT	REAR
			PONTIAC Full Size - Bonneville, SSE, Catalina, Grandville, Parisienne (Exc. Electronically Adjustable Susp.) CONTINUED									
1987-89	Bonneville w/o Self-leveling Rear		236002	235025					SM5026	SM5017	SB105	SB104
1987-89	Bonneville with Self-leveling Rear		236002	(21)					SM5026	SM5017	SB105	
1987-90	Safari Station Wagon		343127	343157	KG4515	KG5504						
1987-90	Upper Springseat w/ Insulator								SM5350			
1987- Early 90	Strut Mounting Kit								SM5281			
1987- Early 90	Strut Mount Bearing only								SM5284			
1987-90	Lower Springseat Insulator fits the 1st Design Springseat with bracket (Bonneville)								SM5411			
1983-86	Parisienne (Exc.S/W)		343127	343130	KG4515	KG5507						
1983-86	Parisienne Station Wagon		343127	343157	KG4515	KG5504						
1982-86	Bonneville Model G		343127	343157	KG4513	KG5548						
1977-81	ALL (Exc.S/W)		343127	343130	KG4515	KG5507						
1977-81	S/W		343127	343157	KG4515	KG5504						
1971-76	ALL (Exc.S/W & H.D.Suspension)		343127	343130	KG4515	KG5507						
1971-76	S/W & w/H.D.Suspension		343127	343157	KG4515	KG5504						
1969-70	ALL (Exc.S/W & H.D.Suspension)		343128	343130	KG4515	KG5507						
1969-70	S/W & w/H.D.Suspension		343128	343130	KG4515	KG5507						
1963-	ALL		343128	343130	KG4515	KG5507						
1958-62	ALL (Exc.Air Suspension)		343128		KG4550							

PONTIAC T1000, 1000												
1982-87	ALL		343145	343147								

PONTIAC J2000, 2000, Sunbird												
1992-94	ALL	Right Hand	231013	343177		KG4536			SM5033	SM5010	SB104	
		Left Hand	231014	343177		KG4536			SM5033	SM5010	SB104	
1982-94	Springseat								SM5348			
1987-91	ALL	Right Hand	231013	343177		KG4536			SM5007	SM5010	SB104	
		Left Hand	231014	343177		KG4536			SM5007	SM5010	SB104	
1985-86	ALL w/Sealed struts	Right Hand	231013	343177		KG4536			SM5007	SM5010	SB104	
		Left Hand	231014	343177		KG4536			SM5007	SM5010	SB104	
1985-86	ALL w/Rebuildable Struts		366003]	343177		KG4536			SM5007	SM5010	SB104	
1984	ALL		366003]	343177		KG4536			SM5007	SM5010	SB104	
1982-83	ALL		365038]	343177		KG4536			SM5007		SB104	
1976-80	ALL		343129	343132								

PONTIAC A6000, 6000												
1990-91	ALL (Exc.All Wheel Drive)		234019	343160		KG5555			SM5043	SM5010	SB104	
1984-91	Front Strut Upper Springseat w/ Insulator								SM5229			
1985-89	ALL (Exc.STE)		234019	343160		KG5555			SM5056	SM5010	SB104	

Applications for Passenger Cars

VEHICLE MAKE, MODEL & YEAR	MARQUE, MODÉLÉ ET ANNÉE DU VÉHICULE	La MARCA el MODELO & AÑO	GR-2		Gas-a-Just		AGX		STRUT & SHOCK MOUNTS / KITS		BOOT KITS	
			FRONT	REAR	FRONT	REAR	FRONT	REAR	FRONT	REAR	FRONT	REAR
PONTIAC A6000, 6000 CONTINUED												
1984-88	STE Model(Exc.All Wheel Drive)		234019	343160 (22)		KG5555 (22)			SM5056	SM5010	SB104	
1990	All Wheel Drive		234019						SM5043	SM5010	SB104	
1989	All Wheel Drive		234019						SM5056	SM5010	SB104	
1984	ALL w/H.D.Suspension(Exc.STE)		234019	343160		KG5555			SM5056	SM5010	SB104	
1984	ALL (Exc.H.D.Suspension & STE)		234002	343160		KG5555			SM5056	SM5010	SB104	
1982-83	ALL		234002	343160		KG5555			SM5056		SB104	
PONTIAC Acadian (Canadian Vehicle)												
1976-87	ALL		343145	343147								
PONTIAC Astre												
1975-77	ALL		343129	343132								
PONTIAC Fiero												
1988	ALL		343127		KG4513					SM5190		SB103
1984-87	ALL			234005	KG4538					SM5190		SB103
PONTIAC Firebird, Formula, Trans Am, Trans Am GTA												
1993-02	ALL	Right Hand	341356	343211	KG9310	KG5562	741034	743019	SM5119		SB103	
		Left Hand	341356	343211	KG9310	KG5562	741034	743019	SM5118		SB103	
1982-92	ALL	Right Hand	236001	343211		KG5562	735001	743019	SM5028			
		Left Hand	236001	343211		KG5562	735001	743019	SM5027			
1970-81	ALL		343128	343131	KG4515	KG5526						
1968-69	ALL		343127	343135	KG4515	KG5521						
1967	ALL		343127	343135 (7)	KG4515	KG5524						
PONTIAC Firefly (Canadian Vehicle)												
1989-92	ALL	Right Hand	232025	232027					SM5188	SM5189	SB103	SB101
		Left Hand	232026	232027					SM5188	SM5189	SB103	SB101
1987-88	ALL	Right Hand	232019	341075					SM5108			
		Left Hand	232020	341075					SM5108			
1985-86	ALL	Right Hand		342012					SM5108			
		Left Hand		342012					SM5108			
PONTIAC Grand Am (FWD) (Also See Lemans)												
1999-05	ALL		334229	334295			734056	734057	SM5146	SM5145	SB104	SB101
1999-05	Upper Springseat Insulator								SM5438			
1999-05	Lower Springseat Insulator								SM5420			
1995-98	ALL (w/o swaybar brkt.)	Right Hand	235604	343402		KG4552			SM5142	SM5010	SB103	
		Left Hand	235605	343402		KG4552			SM5142	SM5010	SB103	

Applications for Passenger Cars

VEHICLE MAKE, MODEL & YEAR	MARQUE, MODÉLÉ ET ANNÉE DU VÉHICULE	La MARCA el MODELO & AÑO	GR-2		Gas-a-Just		AGX		STRUT & SHOCK MOUNTS / KITS		BOOT KITS	
			FRONT	REAR	FRONT	REAR	FRONT	REAR	FRONT	REAR	FRONT	REAR
			PONTIAC Grand Am (FWD) (Also See Lemans) CONTINUED									
1995-98	ALL (w/ swaybar brkt.)	Right Hand		343402		KG5576			SM5142	SM5010	SB103	
		Left Hand		343402		KG5576			SM5142	SM5010	SB103	
1995-98	Front Strut Upper Springseat w/ Insulator								SM5228			
1992-98	Strut Mount Bearing only								SM5284			
1985-98	Lower Springseat Insulator								SM5431			
1992-94	ALL (w/o swaybar brkt.)	Right Hand	235604	343177		KG4536			SM5073	SM5010	SB104	
		Left Hand	235605	343177		KG4536			SM5073	SM5010	SB104	
1992-94	ALL (w/ swaybar brkt.) (Exc. Adj. Susp.)	Right Hand		343177		KG4536			SM5073	SM5010	SB104	
		Left Hand		343177		KG4536			SM5073	SM5010	SB104	
1992-94	Upper Springseat w/ Insulator								SM5349			
1987-91	ALL	Right Hand	231013	343177		KG4536			SM5007	SM5010	SB104	
		Left Hand	231014	343177		KG4536			SM5007	SM5010	SB104	
1985-91	Upper Springseat w/ Insulator								SM5348			
1985-86	ALL w/Sealed Struts	Right Hand	231013	343177		KG4536			SM5007	SM5010	SB104	
		Left Hand	231014	343177		KG4536			SM5007	SM5010	SB104	
1985-86	ALL w/Rebuildable Struts		366003]	343177		KG4536			SM5007	SM5010	SB104	

PONTIAC Grand Prix												
2004-05	Grand Prix	Right Hand							SM5143	SM5399	SB127	SB105
2004-05	Grand Prix	Left Hand							SM5143	SM5398	SB127	SB105
1997-03	Grand Prix	Right Hand	334227	334228			734058	734059	SM5143	SM5399	SB127	SB105
1997-03	Grand Prix	Left Hand	334227	334228			734058	734059	SM5143	SM5398	SB127	SB105
1997-06	Lower Springseat Insulator								SM5437	SM5440		
1997-05	Universal Rear Strut Mount									SM5144		
1997-05	Universal Rear Strut Mount Kit with boot									SM5394		
1990-96	GrandPrix (FWD) w/ Std. Suspension		366004 (20)	236003					SM5029	SM5016	SB104	SB106
1990-96	GrandPrix (FWD) w/ H.D. Suspension		366004 (20)	236003					SM5030	SM5016	SB104	SB106
1988-96	Front Strut Bearing								SM5083			
1988-96	Front Strut Lower Springseat (Left Hand)								SM5225			
1988-96	Springseat w/ bearing (Left Hand)								SM5383			
1988-96	Front Strut Lower Springseat (Right Hand)								SM5226			
1988-96	Springseat w/ bearing (Right Hand)								SM5384			
1988-96	Rear Mount / Boot Kit									SM5277		
1988-89	GrandPrix (FWD) w/ Std. Suspension		366004 (20)	236003					SM5025	SM5016	SB104	SB106
1988-89	GrandPrix (FWD) w/ H.D. Suspension		366004 (20)	236003					SM5031	SM5016	SB104	SB106
1978-87	ALL		343127	343157	KG4513	KG5548						
1969-77	ALL		343127	343157	KG4513	KG5504						
1963-68	ALL		343128	343130	KG4515							
1962	ALL		343128		KG4515							

Applications for Passenger Cars

VEHICLE MAKE, MODEL & YEAR	MARQUE, MODÉLÉ ET ANNÉE DU VÉHICULE	La MARCA el MODELO & AÑO	GR-2		Gas-a-Just		AGX		STRUT & SHOCK MOUNTS / KITS		BOOT KITS	
			FRONT	REAR	FRONT	REAR	FRONT	REAR	FRONT	REAR	FRONT	REAR
PONTIAC GTO												
1974	ALL		343127	343132	KG4515	KG5506						
1968-73	ALL		343127	343157	KG4513	KG5504						
1964-67	ALL (Exc.H.D.Suspension)		343128	343130	KG4515	KG5507						
1964-67	w/H.D.Suspension		343128	343130	KG4515	KG5504						

PONTIAC Lemans, Tempest, Can Am, Grand Am (RWD) and Bonneville Model G												
1988-93	Lemans (FWD)		365025			KG4543				SM5278		SB101
1982-86	Bonneville Model G		343127	343157	KG4513	KG5548						
1978-81	ALL		343127	343157	KG4513	KG5548						
1973-77	ALL(Exc.S/W)		343127	343157	KG4513	KG5504						
1973-77	S/W		343127	343157	KG4513	KG5503						
1968-72	ALL		343127	343157	KG4513	KG5504						
1964-67	ALL (Exc.H.D.Suspension)		343128	343130	KG4515	KG5507						
1964-67	w/H.D.Suspension		343128	343130	KG4515	KG5504						

PONTIAC Montana > See Truck Section

PONTIAC Sunbird > See Pontiac J2000

PONTIAC Sunburst (Canadian Vehicle)												
1985-88	ALL	Right Hand	232015			KG4542				SM5297		SB102
		Left Hand	232016			KG4542						SB102

PONTIAC Sunfire, Sunfire GT												
1999-05	ALL		334316	341244				734038	741061	SM5283	SM5147	SB101
1995-05	Lower Springseat Insulator									SM5418		
1995-98	Upper Springseat Insulator									SM5419		
1995-98	ALL (Exc. 16" Wheels)		334226 (8)	341244				734038	741061	SM5142	SM5147	SB101
1995-98	ALL		334316	341244				734038	741061	SM5142	SM5147	SB101
1995-98	Strut Mount Bearing only									SM5284		

PONTIAC Tempest (Canadian Vehicle)												
1992-94	ALL	Right Hand	235604	343177		KG4536				SM5073	SM5010	SB103
		Left Hand	235605	343177		KG4536				SM5073	SM5010	SB103
1987-91	ALL	Right Hand	231013	343177		KG4536				SM5280	SM5010	SB104
		Left Hand	231014	343177		KG4536				SM5280	SM5010	SB104

PONTIAC Trans Sport > See Truck Section

Applications for Passenger Cars

VEHICLE MAKE, MODEL & YEAR	MARQUE, MODÉLÉ ET ANNÉE DU VÉHICULE	La MARCA el MODELO & AÑO	GR-2		Gas-a-Just		AGX		STRUT & SHOCK MOUNTS / KITS		BOOT KITS	
			FRONT	REAR	FRONT	REAR	FRONT	REAR	FRONT	REAR	FRONT	REAR
PONTIAC Ventura II, Phoenix												
1980-84	ALL		234002	343160		KG5555			SM5056	SM5010	SB104	
1984	Front Strut Upper Springseat w/ Insulator								SM5229			
1974-79	ALL		343127	343132	KG4515	KG5506						
1973	ALL (Exc.H.D.Suspension)		343127	343132	KG4515							
1973	w/H.D.Suspension		343127	343157	KG4515	KG5504						
1971-72	w/Single Leaf Spring		343127	343132	KG4515							
1971-72	w/Multi Leaf Spring		343127	343157	KG4515	KG5504						

PONTIAC Vibe												
2003-04	FWD	Right Hand	235703	344612					SM5215	SM5382	SB105	SB108
		Left Hand	235704	344612					SM5215	SM5382	SB105	SB108
2003-04	AWD	Right Hand	235703	344613					SM5215	SM5382	SB105	SB108
		Left Hand	235704	344613					SM5215	SM5382	SB105	SB108

PORSCHE 911, 912, 930												
1985-7/88	ALL					KG5542						
1972-84	ALL(Exc.Bilstein Equipped)		361004			KG5542						
1972-84	Bilstein Equipped					KG5542						
1969-71	ALL (Exc.911E with self-leveling system)		361004			KG5543						
1965-68	ALL					KG5543						

PORSCHE 914												
1969-76	ALL		361004			KG9003						SB108

PORSCHE 924, 944, 924S												
1989-91	944					KG4544						SB102
1/85-88	944(Exc.Turbo & Sealed Strut)		363014			KG4544						SB102
1985-88	944 Turbo(Exc.M474 Sport Susp.&		363014			KG4544						SB102
83-12/84	944		363014			KG4529						SB102
1986-1988	924S		363014			KG4544						SB102
1976-83	924 (Exc.Sport Suspension)		363014			KG4529						SB102

RENAULT Alliance, Encore, GTA												
1983-87	ALL		234017	343152		KG4541			SM5331			

Applications for Passenger Cars

VEHICLE MAKE, MODEL & YEAR	MARQUE, MODÉLÉ ET ANNÉE DU VÉHICULE	La MARCA el MODELO & AÑO	GR-2		Gas-a-Just		AGX		STRUT & SHOCK MOUNTS / KITS		BOOT KITS		
			FRONT	REAR	FRONT	REAR	FRONT	REAR	FRONT	REAR	FRONT	REAR	
			RENAULT Fuego, 18i, Sportwagon, LeCar (R5), Medallion										
1987	Medallion Sedan			343220								SB101	
1982-85	Fuego		341047	343180									
1984-86	18i		341047	343180									
1981-83	18i			343180									
1984-86	Sportwagon		341047	343180									
1972-83	LeCar (R5)				KG4533	KG4534							

SAAB													
1999-03	ALL 9-3		366012	343270		KG4741				SM5339		SB101	
1999-04	Strut Mount w/ Bearing for 9-3									SM5340			
2004	Upper Springseat w/ bumper for 9-3 Convertible										SM5354		
2003-04	Upper Springseat w/ bumper for 9-3 Sedan										SM5354		
2001-03	Upper Springseat w/ bumper for 9-3 Conv.												
	w/o Viggen	Right Rear									SM5353		
	Upper Springseat w/ bumper for 9-3 Conv.												
	w/o Viggen	Left Rear									SM5352		
2001-02	Upper Springseat w/ bumper for 9-3 3 Dr, 5 Dr												
	w/o Viggen	Right Rear									SM5353		
	Upper Springseat w/ bumper for 9-3 3 Dr, 5 Dr												
	w/o Viggen	Left Rear									SM5352		
1999-02	Upper Springseat w/ bumper for 9-3 w/ Viggen -												
	Right Rear										SM5353		
	Left Rear										SM5352		
1999-02	ALL 9-5		335921			551917				SM5335		SB101	SB108
1999-04	Strut Mount w/ Bearing for 9-5									SM5336			
1999-04	Strut Mount Bearing for 900, 9-3 & 9-5									SM5338	SM5338		
1987-98	9000 (Exc.Self-Leveling Rear)		235034			KG4549				SM5103		SB105	
	From: VIN # H1015470-												
	VIN # H8000556-												
1987-93	9000 with Self-Leveling Rear		235034				(12)			SM5103		SB105	
	From: VIN # H1015470-												
	VIN # H8000556-												
1986-87	9000 (Exc.Rear Self-Leveling Model)		235053			KG4549				SM5103		SB102	
	Before: VIN # H1015470-												
	VIN # H8000556-												
1994-98	900 Series ALL		366010			KG4741				SM5337			
1979-93	900 Series ALL		343023	343024	KG4532	KG5558							
1979-80	99 Series ALL			343024	KG4524	KG5558							

Applications for Passenger Cars

VEHICLE MAKE, MODEL & YEAR	MARQUE, MODÉLÉ ET ANNÉE DU VÉHICULE	La MARCA el MODELO & AÑO	GR-2		Gas-a-Just		AGX		STRUT & SHOCK MOUNTS / KITS		BOOT KITS	
			FRONT	REAR	FRONT	REAR	FRONT	REAR	FRONT	REAR	FRONT	REAR
SAAB CONTINUED												
1969-78	99 Series ALL			343219	KG4524	KG5517						
1959-66	95 Series S/W				KG4524							
1960-66	96 Series, GT750, GT850, 896 Sport				KG4524	KG4616						
1956-59	93 Series, GT, GT750			343030	KG4524	KG4006						
1968-74	Sonnett (97)ALL				KG4524	KG4616						

SATURN												
2003-04	L- Series				341818					SM5333	SM5332	SB103 SB107
1997-02	L- Series	Right Hand	235701	341818						SM5333	SM5332	SB103 SB107
		Left Hand	235702	341818						SM5333	SM5332	SB103 SB107
1991-02	ALL - incl. Station Wagon (Exc. L-Series)		234055	234056						SM5078	SM5079	SB101 SB103
2003-04	Ion		NA	NA								
	Springseat (coupe & sedan w/o 16" wheels)										SM5355	
	Springseat (coupe & sedan w/ 16" wheels)										SM5356	

SATURN Vue> See Truck Section

SCION xA												
2003-06	ALL			343426								

SCION xB												
2003-06	ALL		333385	343426								

STERLING												
1987-89	825,827S ALL (Exc. Nivomat Susp.)	Right Hand		234044								
		Left Hand		234045								

SUBARU BRAT & Forester > See Truck Section

SUBARU DL , GL , Loyale Models												
1990-94	Strut Mounting Kit (All Loyale exc. w/ air susp.)										SM5362	
1985-93	2 W/D Sedan	Right Hand	233022	341063								SB105 SB108
		Left Hand	233023	341063								SB105 SB108
1985-93	2 W/D Wagon	Right Hand	233022	341216								SB105 SB108
		Left Hand	233023	341216								SB105 SB108
1985-90	Strut Mounting Kit (All DL/ GL 4-dr. exc. w/ air susp.)										SM5362	
1985-90	Strut Mounting Kit (All DL/ GL 3-dr. exc. w/ air susp.)										SM5363	
1985-89	2 W/D Hatchback Model (Rear shock w/o springseat)		233024	343056		KG4183A				SM5364		SB105

Applications for Passenger Cars

VEHICLE MAKE, MODEL & YEAR	MARQUE, MODÉLÉ ET ANNÉE DU VÉHICULE	La MARCA el MODELO & AÑO	GR-2		Gas-a-Just		AGX		STRUT & SHOCK MOUNTS / KITS		BOOT KITS	
			FRONT	REAR	FRONT	REAR	FRONT	REAR	FRONT	REAR	FRONT	REAR
SUBARU DL , GL , Loyale Models CONTINUED												
1982-84	2 W/D-ALL w/Sealed Strut		233024	343056		KG4183A					SB103	
1980-83	2 W/D-ALL w/Serviceable Strut		363027	343056		KG4183A					SB103	
1990-94	4 W/D Sedan - All			341065					SM5364			SB108
1987-89	4 W/D 2Dr. Sedan			341216					SM5364			SB108
1987-89	4 W/D 4Dr. Sedan (Exc.Turbo)			341065					SM5364			SB108
1987-89	4 W/D 4Dr. Sedan w/Turbo			341065					SM5364			SB108
1987-92	4 W/D Wagon (Exc.Air Susp.)			341065								SB108
1985-86	4 W/D Sedan (Exc.Hatchback Model& Air Susp.)	Right Hand	234046	341065							SB105	SB108
		Left Hand	234047	341065							SB105	SB108
1985-86	4 W/D Wagon (Exc.Air Susp.)	Right Hand	234046	341065					SM5364		SB105	SB108
		Left Hand	234047	341065					SM5364		SB105	SB108
1985-87	4 W/D Hatchback Model (Rear shock w/o springseat)		234028	343056		KG4183A			SM5364		SB105	
1980-84	4 W/D-ALL w/Sealed Strut		234028	343056		KG4183A			SM5365		SB103	

SUBARU Impreza 2WD, 4WD & AWD (Exc.Outback Model)												
2004-05	Sedan								SM5361			
2002-03	Sedan	Right Hand	334304	334306			734034	734036 (10)	SM5361		SB101	SB102
		Left Hand	334305	334307			734035	734037 (10)	SM5361		SB101	SB102
2002-03	Station Wagon	Right Hand	334300	334302					SM5361		SB101	SB102
		Left Hand	334301	334303					SM5361		SB101	SB102
1993-01	2 W/D ALL w/ ABS	Right Hand	334255 (9)	235073			734006		SM5361		SB101	SB102
		Left Hand	334256 (9)	235074			734007		SM5361		SB101	SB102
1993-01	2 W/D ALL exc. ABS	Right Hand	235065	235073			734006		SM5361		SB101	SB102
		Left Hand	235066	235074			734007		SM5361		SB101	SB102
1993-01	4 W/D ALL w/ ABS	Right Hand	334255 (9)	235073			734006		SM5361		SB101	SB102
		Left Hand	334256 (9)	235074			734007		SM5361		SB101	SB102
1993-01	4 W/D ALL exc. ABS	Right Hand	235065	235069			734006	733010	SM5361	SM5243	SB101	SB102
		Left Hand	235066	235070			734007	733011	SM5361	SM5243	SB101	SB102

SUBARU Impreza Outback												
2004	Strut mount								SM5361	SM5422	SB101	SB102
2002-03	ALL	Right Hand	334300	334302					SM5361	SM5245	SB101	SB102
		Left Hand	334301	334303					SM5361	SM5244	SB101	SB102
1993-01	Sport Utility Wagon w/ABS	Right Hand	334255 (9)	334109			734006	733010	SM5361	SM5243	SB101	SB102
		Left Hand	334256 (9)	334110			734007	733011	SM5361	SM5243	SB101	SB102
1993-01	Sport Utility Wagon Exc. ABS	Right Hand	235065	334109			734006	733010	SM5361	SM5243	SB101	SB102
		Left Hand	235066	334110			734007	733011	SM5361	SM5243	SB101	SB102

Applications for Passenger Cars

VEHICLE MAKE, MODEL & YEAR	MARQUE, MODÉLÉ ET ANNÉE DU VÉHICULE	La MARCA el MODELO & AÑO	GR-2		Gas-a-Just		AGX		STRUT & SHOCK MOUNTS / KITS		BOOT KITS		
			FRONT	REAR	FRONT	REAR	FRONT	REAR	FRONT	REAR	FRONT	REAR	
			SUBARU Impreza WRX										
2004	ALL Sedan (Exc. WRX-Sti)		TBA							SM5361	SM5422	SB101	SB102
2004	Station Wagon		TBA							SM5361	SM5422	SB101	SB102
2002-03	ALL Sedan (Exc. WRX-Sti)	Right Hand	334304	334306			734034	734036 (10)	SM5361	SM5245	SB101	SB102	
		Left Hand	334305	334307			734035	734037 (10)	SM5361	SM5244	SB101	SB102	
2002-03	Station Wagon	Right Hand	334300	334302					SM5361	SM5245	SB101	SB102	
		Left Hand	334301	334303					SM5361	SM5244	SB101	SB102	

SUBARU Legacy (Exc.Outback Model) (Exc.Air Susp.)												
2003-04	ALL	Right Hand	334445 (9)	341275								
		Left Hand	334446 (9)	341275								
2000-02	ALL	Right Hand	334273	341275					SM5361	SM5214	SB101	SB103
		Left Hand	334274	341275					SM5361	SM5214	SB101	SB103
1995-99	2W/D	Right Hand	334111	334164					SM5361	SM5246	SB101	SB102
		Left Hand	334112	334165					SM5361	SM5247	SB101	SB102
1995-99	4W/D (Exc. '99 GT, 30th Anniversary)	Right Hand	334111	334115					SM5361	SM5245	SB101	SB102
		Left Hand	334112	334116					SM5361	SM5244	SB101	SB102
1992-94	2W/D	Right Hand	235065	235073			734006		SM5361		SB101	SB102
		Left Hand	235066	235074			734007		SM5361		SB101	SB102
1992-94	4W/D	Right Hand	235065	235069			734006	733010	SM5361	SM5243	SB101	SB102
		Left Hand	235066	235070			734007	733011	SM5361	SM5243	SB101	SB102
1990-91	2 W/D ALL	Right Hand	235063	235071					SM5361		SB101	SB102
		Left Hand	235064	235072					SM5361		SB101	SB102
1990-91	4W/D	Right Hand	235063	235067					SM5361		SB101	SB102
		Left Hand	235064	235068					SM5361		SB101	SB102

SUBARU Legacy Outback, Outback												
6/02-04	ALL	Right Hand	334447 (9)	341276					SM5361		SB101	SB103
		Left Hand	334448 (9)	341276					SM5361		SB101	SB103
2000-5/02	ALL	Right Hand	334275	341276					SM5361		SB101	SB103
		Left Hand	334276	341276					SM5361		SB101	SB103
2000-04	Strut Mount (All inc. Outback, exc. Air susp.)							SM5361	SM5214			
1990-99	Strut Mount (All inc. Outback, exc. Air susp.)							SM5361				
1999	ALL	Right Hand		335020								
		Left Hand		335021								
1995-5/98	ALL	Right Hand	235632	335020					SM5361	SM5245	SB101	SB101
		Left Hand	235633	335021					SM5361	SM5244	SB101	SB101
1995-10/95	Legacy Outback & Brighton	Right Hand	334111	334115								
		Left Hand	334112	334116								

Applications for Passenger Cars

VEHICLE MAKE, MODEL & YEAR	MARQUE, MODÉLÉ ET ANNÉE DU VÉHICULE	La MARCA el MODELO & AÑO	GR-2		Gas-a-Just		AGX		STRUT & SHOCK MOUNTS / KITS		BOOT KITS	
			FRONT	REAR	FRONT	REAR	FRONT	REAR	FRONT	REAR	FRONT	REAR
SUBARU XT												
1985-	2W/D (Exc.XT6 & Air Susp.)	Right Hand	234029	341063					SM5364	SM5362	SB108	SB105
		Left Hand	234030	341063					SM5364	SM5362	SB108	SB105
1985-91	XT6 (Exc.Air Susp.)	Right Hand		341063					SM5364	SM5362	SB108	SB105
		Left Hand		341063					SM5364	SM5362	SB108	SB105
1985-91	Strut Mounting Kit (All 4WD, exc. Air susp.)									SM5363		
SUZUKI Aerio												
2004	ALL (Exc. SX- Wagon)	Right Hand		333356							SB101	SB101
		Left Hand		333357							SB101	SB101
2002-03	ALL (Exc. SX- Wagon)	Right Hand	333354	333356							SB101	SB101
		Left Hand	333355	333357							SB101	SB101
SUZUKI Esteem												
1995-02	ALL	Right Hand	333312	333215							SB101	SB101
		Left Hand	333313	333216							SB101	SB101
SUZUKI Forsa (Canadian Vehicle)												
1987-88	ALL	Right Hand	232019	341075					SM5108			
		Left Hand	232020	341075								
SUZUKI TRUCKS Samurai, Sidekick, Vitara, Grand Vitara, & X90 > See Truck Section												
SUZUKI Swift												
1992-94	ALL (Exc.GT Model & Canada 2DR Model)	Right Hand	232025	232027					SM5188	SM5189	SB112	SB101
		Left Hand	232026	232027					SM5188	SM5189	SB112	SB101
1992-94	GT Model (USA) & Canada 2DR Model	Right Hand		232027					SM5188	SM5189	SB112	SB101
		Left Hand		232027					SM5188	SM5189	SB112	SB101
1989-91	ALL	Right Hand	232025	232027					SM5188	SM5189	SB112	SB101
		Left Hand	232026	232027					SM5188	SM5189	SB112	SB101
TOYOTA Avalon												
1997-03	ALL	Right Hand	334245	334133					SM5179	SM5175	SB101	SB101
			235710 (45)	235708 (43)								
		Left Hand	334246	334134					SM5180	SM5175	SB101	SB101
			235711 (46)	235709 (44)								
1995-04	Lower Springseat Insulator								SM5441			
1995-96	ALL (Exc. ABS)	Right Hand	334245	334133					SM5174	SM5133	SB101	SB101
			235710 (45)	235708 (43)								
		Left Hand	334246	334134					SM5174	SM5133	SB101	SB101
			235711 (46)	235709 (44)								

Applications for Passenger Cars

VEHICLE MAKE, MODEL & YEAR	MARQUE, MODÉLÉ ET ANNÉE DU VÉHICULE	La MARCA el MODELO & AÑO	GR-2		Gas-a-Just		AGX		STRUT & SHOCK MOUNTS / KITS		BOOT KITS	
			FRONT	REAR	FRONT	REAR	FRONT	REAR	FRONT	REAR	FRONT	REAR
TOYOTA Camry												
2004-06	ALL	Right Hand	334386	334388					SM5423		SB102	SB101
		Left Hand	334387	334389					SM5423		SB102	SB101
2002-03	ALL	Right Hand	334338	334340					SM5423	SM5175	SB102	SB101
		Left Hand	334339	334341					SM5423	SM5175	SB102	SB101
1997-01	ALL	Right Hand	334245	334133					SM5179	SM5175	SB101	SB101
			235710 (45)	235708 (43)								
		Left Hand	334246	334134					SM5180	SM5175	SB101	SB101
			235711 (46)	235709 (44)								
1995-01	Lower Springseat Insulator								SM5441			
1995-96	ALL	Right Hand	334170	334133					SM5174	SM5133	SB101	SB101
				235708 (43)								
		Left Hand	334171	334134					SM5174	SM5133	SB101	SB101
				235709 (44)								
1992-94	All w/Sealed Struts	Right Hand	334131	334133					SM5385	SM5185	SB105	SB105
			235712 (47)	235708 (43)								
		Left Hand	334132	334134					SM5385	SM5185	SB105	SB105
			235713 (48)	235709 (44)								
1992-94	Sedan w/Serviceable Struts		365085	365016					SM5126	SM5133	SB117	SB117
1992-94	Front Strut Mount w/ bearing Mount only, bearing not inc.								SM5126			
1992-94	Front Strut Lower Springseat Bearing (Only)								SM5385			
1992-94	Front Strut Lower Springseat assembly								SM5125			
									SM5173			
1987-91	2 W/D Sedan w/Serviceable Struts		365061	365062					SM5090	SM5375	SB117	SB117
1987-91	2 W/D S/W w/Serviceable Struts		365061	365063					SM5090	SM5375	SB117	SB117
1987-91	2 W/D Sedan w/Sealed Struts	Right Hand	235041	235042					SM5090	SM5375	SB117	SB117
			235707 (42)									
		Left Hand	235041	235043					SM5090	SM5375	SB117	SB117
			235707 (42)									
1987-91	2 W/D S/W w/Sealed Struts	Right Hand	235041	235042					SM5090	SM5375	SB117	SB117
			235707 (42)									
		Left Hand	235041	235043					SM5090	SM5375	SB117	SB117
			235707 (42)									
1987-91	4W/D All-Trac	Right Hand	235041						SM5090	SM5069	SB117	SB117
			235707 (42)									
		Left Hand	235041						SM5090	SM5069	SB117	SB117
			235707 (42)									
1983-86	ALL	Right Hand	365037	233014					SM5019	SM5069	SB102	SB102
		Left Hand	365037	233015					SM5019	SM5069	SB102	SB102

TOYOTA Carina												
1971-73	ALL			343149							SB103	

Applications for Passenger Cars

VEHICLE MAKE, MODEL & YEAR	MARQUE, MODÉLÉ ET ANNÉE DU VÉHICULE	La MARCA el MODELO & AÑO	GR-2		Gas-a-Just		AGX		STRUT & SHOCK MOUNTS / KITS		BOOT KITS	
			FRONT	REAR	FRONT	REAR	FRONT	REAR	FRONT	REAR	FRONT	REAR
TOYOTA Celica												
2000-05	ALL	Right Hand	334277	341277			734021	741041	SM5215	SM5382	SB101	SB108
		Left Hand	334278	341277			734022	741041	SM5215	SM5382	SB101	SB108
1995-99	Celica w/ Sealed Struts	Right Hand	334378	334125					SM5372	SM5087	SB103	SB103
		Left Hand	334379	334126					SM5372	SM5087	SB103	SB103
1994-99	Celica(Exc. All-Trac)(w/ Rebuildable struts)	Right Hand	365092	334125					SM5372	SM5087	SB103	SB103
		Left Hand	365092	334126					SM5372	SM5087	SB103	SB103
1994-99	ALL - Strut mount w/ bearing								SM5164		SB101	
1990-93	Celica(Exc. All-Trac)	Right Hand	365075	235037					SM5086	SM5087	SB103	SB101
		Left Hand	365075	235038					SM5086	SM5087	SB103	SB101
1990-92	Celica All-Trac	Right Hand	365075						SM5086	SM5087	SB103	SB101
		Left Hand	365075						SM5086	SM5087	SB103	SB101
1988-89	Celica(Exc. All-Trac)	Right Hand	365064	235028			765015		SM5086	SM5069	SB103	SB117
		Left Hand	365064	235029			765015		SM5086	SM5069	SB103	SB117
1988-89	Celica All-Trac	Right Hand	365064				765015		SM5086	SM5069	SB103	SB117
		Left Hand	365064				765015		SM5086	SM5069	SB103	SB117
1986-87	Celica(Exc.GTS)	Right Hand	365058	235017					SM5086	SM5069	SB103	SB117
		Left Hand	365058	235018					SM5086	SM5069	SB103	SB117
1986-87	Celica GTS	Right Hand	365058	235028					SM5086	SM5069	SB103	SB117
		Left Hand	365058	235029					SM5086	SM5069	SB103	SB117
1982-85	Celica (Exc.GTS)		365005	343039		KG5552			SM5370		SB101	
1982-85	Celica GTS w/ I.R.S.		365005	343042		KG5561			SM5370		SB101	
1982-85	Celica GTS w/Solid Rear Axle		365005	343039		KG5552			SM5370		SB101	
1978-81	Celica,Supra		365005	343039		KG5552					SB103	
10/75-77	Celica		365005	343149					SM5370		SB101	
6/73-9/75	Celica			343149							SB103	
71-6/73	Celica			343149							SB103	

TOYOTA Corolla (Exc.FX Series & All-Trac)												
2003-04	ALL	Right Hand	334450	341816					SM5215	SM5382	SB102	SB108
		Left Hand	334451	341816					SM5215	SM5382	SB102	SB108
1993-02	ALL	Right Hand	234057	234059					SM5049	SM5075	SB103	SB117
		Left Hand	234058	234060					SM5049	SM5074	SB103	SB117
1988-92	ALL w/Front Wheel Drive (Exc.GTS)											
	(Serviceable Strut)	Frnt.Cartridges	363060						SM5104		SB103	
	(Sealed Strut)	Right Front Strut	234035						SM5104		SB103	
	(Sealed Strut)	Left Front Strut	234036						SM5104		SB103	
		Right Rear Strut		234031						SM5075		SB102
		Left Rear Strut		234032						SM5074		SB102

Applications for Passenger Cars

VEHICLE MAKE, MODEL & YEAR	MARQUE, MODÉLÉ ET ANNÉE DU VÉHICULE	La MARCA el MODELO & AÑO	GR-2		Gas-a-Just		AGX		STRUT & SHOCK MOUNTS / KITS		BOOT KITS	
			FRONT	REAR	FRONT	REAR	FRONT	REAR	FRONT	REAR	FRONT	REAR
			TOYOTA Corolla (Exc.FX Series & All-Trac) CONTINUED									
1988-92	GTS Model (Serviceable Strut)	Frnt.Cartridges	365064							SM5049		SB103
		Right Rear Strut		234031							SM5075	SB102
		Left Rear Strut		234032							SM5074	SB102
1984-87	ALL w/Front Wheel Drive(Exc.Diesel) (Serviceable Strut)	Frnt.Cartridges	363039							SM5019		SB101
	(Sealed Strut)	Right Front Strut	234024							SM5019		
	(Sealed Strut)	Left Front Strut	234025							SM5019		
		Right Rear Strut		232028							SM5069	SB101 SB102
		Left Rear Strut		232029							SM5069	SB101 SB102
1984-87	F.W.D. Diesel	Right Hand	365041	232028						SM5019	SM5069	SB101 SB102
		Left Hand	365041	232029						SM5019	SM5069	SB101 SB102
1986-87	RWD w/ Power Steering	Right Hand	365076	343149		KG4762				SM5020		SB101
		Left Hand	365076	343149		KG4762				SM5021		
1986-87	RWDw/o PowerSteering	Right Hand	365076	343149		KG4762				SM5022		SB101
		Left Hand	365076	343149		KG4762				SM5023		
1984-85	RWD w/ Power Steering	Right Hand	365015	343149		KG4762				SM5020		SB101
		Left Hand	365015	343149		KG4762				SM5021		
1984-85	RWDw/o PowerSteering	Right Hand	365015	343149		KG4762				SM5022		SB101
		Left Hand	365015	343149		KG4762				SM5023		
1982-83	Rear Wheel Drive	Right Hand	365015	343149		KG4762				SM5022		SB101
		Left Hand	365015	343149		KG4762				SM5023		
1980-81	Rear Wheel Drive		365015	343149		KG4762				SM5371		SB101
1980-83	1800 Model (Exc.S/W)		365015	343149		KG4762						SB101
1980-83	1800 Model S/W		365015									SB101
1975-79	1200 Model			343147						SM5369		SB101
1975-79	SR-5 Model		365015	343147						SM5369		SB101
1975-79	1600 Model (Exc.S/W)		365015	343147						SM5369		SB101
1975-79	1600 Model S/W		365015	343039						SM5369		SB101
5/70-74	ALL (Exc.S/W & SR-5)			343140						SM5371		SB103
5/70-74	S/W			343143 (5)						SM5371		SB103
1973-74	SR-5			343140								SB103
67-4/70	ALL (Exc.S/W)			343140								

TOYOTA Corolla FX Series (Exc.4W/D)												
1987-89	FX16,FX16 GTS		365041	232030						SM5019	SM5069	SB101 SB117
1987-88	FX	Right Hand	234024	232028						SM5019	SM5069	SB101 SB117
		Left Hand	234025	232029						SM5019	SM5069	SB101 SB117

Applications for Passenger Cars

VEHICLE MAKE, MODEL & YEAR	MARQUE, MODÉLÉ ET ANNÉE DU VÉHICULE	La MARCA el MODELO & AÑO	GR-2		Gas-a-Just		AGX		STRUT & SHOCK MOUNTS / KITS		BOOT KITS	
			FRONT	REAR	FRONT	REAR	FRONT	REAR	FRONT	REAR	FRONT	REAR
TOYOTA Corona												
1979-83	ALL		365016	343039		KG5552			SM5370		SB103	
8/73-78	ALL (Exc.S/W)		343127	343149	KG4611A							
8/73-78	S/W		343127	344044	KG4611A	KG4012						
2/70-7/73	ALL		343127	343147	KG4611A							
64-1/70	ALL (Exc.S/W)		343127	343147	KG4611A							
64-1/70	S/W		343127	344044	KG4611A	KG4012						

TOYOTA Corona Mark II												
1972-76	ALL (Exc.S/W)		343127	343147	KG4611A							
1972-76	S/W		343127	344044	KG4611A	KG4012						
2/70-71	ALL (Exc.S/W)		343127		KG4611A							
2/70-71	S/W		343127		KG4611A							
69-1/70	ALL (Exc.S/W)		343127		KG4611A							
69-1/70	S/W (w/A.T)		343127		KG4611A							
69-1/70	S/W (w/M.T.)		343127		KG4611A							

TOYOTA Cressida (Exc.Electronically-Adjustable Suspension) (Footnote # 22)												
1989-92	ALL		365076	341111					SM5374	SM5373	SB103	SB107
1983-88	ALL (Exc.S/W)		365076	343042		KG5561					SB103	
1985-88	Strut mount (All exc. TEMS)								SM5374			
1983-87	S/W		365076	343039		KG5552					SB103	
1981-82	ALL (Exc.S/W)		365017			KG4766			SM5065		SB103	
1981-82	S/W		365017	343039		KG5552			SM5065		SB103	
1978-80	ALL (Exc.S/W)		365016			KG4766			SM5065		SB103	
1978-80	S/W		365016	343039		KG5552			SM5065		SB103	

TOYOTA Echo												
2000-02	ALL		333258	343295							SB102	

TOYOTA Matrix												
2003-04	ALL 2WD & GT	Right Hand	235703	344612					SM5215	SM5382	SB105	SB108
		Left Hand	235704	344612					SM5215	SM5382	SB105	SB108
2003-04	AWD	Right Hand	235703	344613					SM5215	SM5382	SB105	SB108
		Left Hand	235704	344613					SM5215	SM5382	SB105	SB108

TOYOTA MR2												
2000-05	ALL	Right Hand	333320 (9)	334310 (9)								
		Left Hand	333321 (9)	334311 (9)								
1/90-95	ALL (Exc.Sealed Struts)		365064	365100			765015	765016	SM5161		SB103	SB103
1987-89	ALL (Exc.Sealed Struts)		363045	365061							SB103	SB103
1985-86	ALL (Exc.Sealed Struts)		363045	363046							SB103	SB103

Applications for Passenger Cars

VEHICLE MAKE, MODEL & YEAR	MARQUE, MODÉLÉ ET ANNÉE DU VÉHICULE	La MARCA el MODELO & AÑO	GR-2		Gas-a-Just		AGX		STRUT & SHOCK MOUNTS / KITS		BOOT KITS	
			FRONT	REAR	FRONT	REAR	FRONT	REAR	FRONT	REAR	FRONT	REAR
TOYOTA Paseo												
8/95-97	ALL	Right Hand	333209	341182					SM5089	SM5163	SB103	SB108
		Left Hand	333210	341182					SM5089	SM5163	SB103	SB108
1992-7/95	ALL	Right Hand	234053	341125					SM5089	SM5088	SB103	SB108
		Left Hand	234054	341125					SM5089	SM5088	SB103	SB108

TOYOTA Prius												
2005	ALL			341322						SM5382		SB108
2004	ALL	Right Hand	333388	341322						SM5382		SB108
		Left Hand	333389	341322						SM5382		SB108
2001-03	ALL	Right Hand	333360	341321						SM5382	SB101	SB108
		Left Hand	333361	341321						SM5382	SB101	SB108

TOYOTA TRUCKS Landcruiser, Pickup, Previa, RAV4, Sienna, Tacoma, Tundra, & Van > See Truck Section

TOYOTA Solara												
1999-03	ALL	Right Hand	334245	334133					SM5179	SM5175	SB101	SB101
			235710 (45)	235708 (43)								
		Left Hand	334246	334134					SM5180	SM5175	SB101	SB101
			235711 (46)	235709 (44)								
2004-05									SM5423	SM5175		
1999-06									SM5441			

TOYOTA Starlet												
1981-84	ALL		363038			KG3765					SB103	

TOYOTA Supra												
1994-98	Supra(Exc.Adjustable Susp.)				KG6800	KG6799	725001	725002		SM5186	SB101	SB104
3/86-93	Supra(Exc.Adjustable Susp.) (Footnote # 22)		341069	341070					SM5160	SM5159	SB101	SB107
82-2/86	Supra		365076	343042		KG5561			SM5374		SB101	

TOYOTA Tercel												
1995-99	ALL	Right Hand	333209	341191					SM5089	SM5163		
		Left Hand	333210	341191					SM5089	SM5163		
1991-94	ALL	Right Hand	234053	341125					SM5089	SM5088	SB103	SB108
		Left Hand	234054	341125					SM5089	SM5088	SB103	SB108
1987-90	ALL (Exc.S/W)		363047			KG9129			SM5068	SM5088	SB103	SB107
1983-86	ALL (Exc.S/W)	Right Hand	363030	232005					SM5067	SM5069	SB103	SB101
		Left Hand	363030	232006					SM5067	SM5069	SB103	SB101
1983-87	2W/D Station Wagon	Right Hand	363030	232005					SM5067	SM5069	SB103	SB101
		Left Hand	363030	232006					SM5067	SM5069	SB103	SB101
1983-88	4W/D Station Wagon		363037	343149		KG4762			SM5067		SB103	
1980-82	ALL		363063								SB103	

Applications for Passenger Cars

VEHICLE MAKE, MODEL & YEAR	MARQUE, MODÉLÉ ET ANNÉE DU VÉHICULE	La MARCA el MODELO & AÑO	GR-2		Gas-a-Just		AGX		STRUT & SHOCK MOUNTS / KITS		BOOT KITS	
			FRONT	REAR	FRONT	REAR	FRONT	REAR	FRONT	REAR	FRONT	REAR
TRIUMPH Spitfire, GT6, Herald, TR7, TR8												
1959-80	Spitfire,GT6(Exc.Plus), Herald				KG9125	KG3198						
1969-73	GT6-Plus				KG9125							
1976-83	TR7, TR8		363015			KG5550						

U.S.POSTAL VEHICLES > See Truck Section

UTILIMASTER > See Truck Section

VOLKSWAGEN Type 1 - Beetle (Original), SuperBeetle, Karmann Ghia

1973-80	Super Beetle-From Chassis No.1,333,003,657		363002	343144		KG5529						SB101
1971-73	Super Beetle-Thru Chassis No.1,333,003,656		363012	343144		KG5529						SB101
1967-77	ALL (Exc.Super Beetle)		343143	343144	KG4520	KG5529						
1966	ALL (Exc.1200 Model)		343143	343144	KG4520	KG5529						
1966	1200 Model		343144	343144	KG4521	KG5529						
1952-65	ALL		343144	343144	KG4521	KG5529						

VOLKSWAGEN Type 2 - Van, Vanagon > See Truck Section

VOLKSWAGEN Type 3 - Squareback, Fastback

1966-73	ALL		343144	343144	KG4521	KG5529						
---------	-----	--	--------	--------	--------	--------	--	--	--	--	--	--

VOLKSWAGEN Beetle (New)

1998-05	ALL		334812 334220 (47)	343280 (48) 343348			734033	743029	SM5181	SM5182	SB123	SB125
---------	-----	--	-----------------------	-----------------------	--	--	--------	--------	--------	--------	-------	-------

VOLKSWAGEN Corrado (Exc.V6)

1990-94	ALL (Exc.Sealed Strut Equipped)		364014 (15)	343191		KG9130			SM5132	SM5070	SB109	SB115
1990-94	ALL w/ Sealed Struts		235614	343191		KG9130			SM5132	SM5070	SB109	SB115
1990-94	Strut Mount w/ bearing								SM5012			
1992-95	Strut Mounting Kit (VR6)								SM5378	SM5070		

VOLKSWAGEN Cabrio & Cabriolet

1996-02	Cabrio		235614	343191		KG9130			SM5132	SM5070	SB109	SB115
1995-02	Strut Mount w/ bearing								SM5378			
1994-95	Cabrio		235614	343191		KG9130			SM5132	SM5070	SB109	SB115
1985-93	ALL (Exc.Sealed Strut Equipped)		361005 (15)	341007		KG9105			SM5011	SM5070	SB109	SB115
1990-93	ALL w/ Sealed Struts			341007		KG9105			SM5011	SM5070	SB109	SB115

Applications for Passenger Cars

VEHICLE MAKE, MODEL & YEAR	MARQUE, MODÉLÉ ET ANNÉE DU VÉHICULE	La MARCA el MODELO & AÑO	GR-2		Gas-a-Just		AGX		STRUT & SHOCK MOUNTS / KITS		BOOT KITS	
			FRONT	REAR	FRONT	REAR	FRONT	REAR	FRONT	REAR	FRONT	REAR
VOLKSWAGEN Dasher												
1974-81	ALL		364001			KG5532			SM5011		SB103	

VOLKSWAGEN Fox												
1987-93	Sedan		365008						SM5024	SM5376	SB101	
1987-93	Station Wagon		365008						SM5024	SM5376	SB101	

VOLKSWAGEN Golf, Golf GT, Golf GTI, Golf III, Golf IV												
1999-04	ALL		334812	343280 (48)			734033	743029	SM5181	SM5182	SB123	
			334220 (47)	343348								
1999-05	Strut Mount - Rear (Exc. R32 Performance package)									SM5182		
1999-05	Strut Boot - Rear (Exc. R32 Performance package)											SB125
1997-99	Strut Mounting Kit (4 cyl. gas)								SM5378			
1996-99	Strut Mounting Kit (4 cyl. diesel)								SM5378			
1995-99	Strut Mounting Kit (6 cyl. gas)								SM5378			
1993-98	ALL (Exc. VR6)		235614	343191		KG9130			SM5012	SM5070	SB109	SB115
1993-98	ALL w/ VR6		235614	343191		KG9130				SM5070	SB109	SB115
1985-99	Rear Shock Upper Springseat									SM5132		
1985-92	ALL (Exc. Sealed Strut Equipped)		364014 (15)	343191		KG9130			SM5012	SM5070	SB109	SB115
1990-92	ALL w/ Sealed Struts		235614	343191		KG9130			SM5012	SM5070	SB109	SB115

VOLKSWAGEN Jetta, Jetta 16V, Jetta III												
1999-04	ALL		334812	343280 (48)			734033	743029	SM5181	SM5182	SB123	SB125
			334220 (47)	343348								
1996-98	ALL		235614	343191		KG9130				SM5070	SB109	SB115
1997-99	Strut Mounting Kit (4 cyl. gas)								SM5378			
1993-99	Strut Mounting Kit (6 cyl. gas)								SM5378			
1990-95	ALL		235614	343191		KG9130			SM5012	SM5070	SB109	SB115
1985-99	Rear Shock Upper Springseat									SM5132		
1985-89	ALL		364014 (15)	343191		KG9130			SM5012	SM5070	SB109	SB115
1980-84	ALL		361005 (15)	341007		KG9105			SM5011	SM5070	SB109	SB113

VOLKSWAGEN Passat												
2001-05	ALL from VIN # 3B1300001 (Exc Quattro)		341273	343281					SM5380	SM5379	SB122	SB124
2001-05	Sedan & Wagon w/ AWD		341273									
1998-01	ALL to VIN # 3B1300000 (Exc. Quattro)		341207	343281					SM5236		SB122	SB124
1998-01	Strut Mount- Rear to VIN #3B1300000 (exc. AWD)									SM5237		
2001-05	Strut Mounting Kit from VIN #3B1300001								SM5380			
2001-05	Strut Mounting Kit from VIN #3B1300001 (exc. AWD)									SM5379		
1998-00	Sedan & Wagon (Exc. AWD)		341207	341281								
1993-97	Strut Mounting Kit (VR6)								SM5378	SM5197		
1990-97	ALL (Exc. V6 Models)(Exc. Sealed Strut)		365070	341124					SM5012	SM5197	SB109	SB115

Applications for Passenger Cars

VEHICLE MAKE, MODEL & YEAR	MARQUE, MODÉLÉ ET ANNÉE DU VÉHICULE	La MARCA el MODELO & AÑO	GR-2		Gas-a-Just		AGX		STRUT & SHOCK MOUNTS / KITS		BOOT KITS	
			FRONT	REAR	FRONT	REAR	FRONT	REAR	FRONT	REAR	FRONT	REAR
VOLKSWAGEN Quantum, Quantum Synchron												
4/83-88	ALL (Exc.Quantum Synchron)		365008	341123		KG9124			SM5034	SM5377	SB101	SB107
1986-88	Quantum Synchron		365008						SM5034	SM5377	SB101	
82-3/83	ALL		365008	341122		KG9111			SM5034	SM5377	SB101	SB107
VOLKSWAGEN Rabbit, Rabbit GTI												
1975-84	ALL		361005 (15)	341007		KG9105			SM5011	SM5070	SB109	SB113
VOLKSWAGEN Rabbit Pickup > See Truck Section												
VOLKSWAGEN Scirocco, Scirocco 16V												
1975-90	ALL		361005 (15)	341007		KG9105			SM5011	SM5070	SB109	SB113
VOLKSWAGEN Thing												
1973-75	ALL		343143 (3)	343144	KG4520 (3)	KG5529						
VOLVO C70												
1998-04	C70 Coupe & Convertible					KG5747					SB103	
2000-04	Strut Mount - C70 Coupe (Exc. Sport)								SM5165	SM5220		
1998-04	Springseat (C70)								SM5351			
1998-99	C70 Coupe (Exc.Sport)					KG5747			SM5165	SM5220	SB103	
VOLVO S40												
2000-04	Upper Mounting Kit (1st Generation)									SM5091		
2000-04	Upper Springseat Insulator (1st Generation)									SM5439		
2000	Strut Mount bearing (1st Generation)								SM5128			
VOLVO S60												
2001-04	S60 Sedan		334611			551918					SB103	
2001-05	Springseat (S60)								SM5351			
VOLVO S70												
1998-99	S70 Sedan (Exc.Sport)					KG5747			SM5165	SM5220	SB103	
1998-00	Springseat (S70)								SM5351			
VOLVO S80												
1998-03	S80 (Exc. Nivomat Rear susp.)		334611			551918					SB103	
1998-05	Springseat (S80)								SM5351			
1999-02	Strut Mount (To chassis # 153439)								SM5165			
VOLVO S90												
1997-98	Strut Mount w/ bearing								SM5092			

Applications for Passenger Cars

VEHICLE MAKE, MODEL & YEAR	MARQUE, MODÉLÉ ET ANNÉE DU VÉHICULE	La MARCA el MODELO & AÑO	GR-2		Gas-a-Just		AGX		STRUT & SHOCK MOUNTS / KITS		BOOT KITS	
			FRONT	REAR	FRONT	REAR	FRONT	REAR	FRONT	REAR	FRONT	REAR
VOLVO V40												
4/00-04	Wagon (Exc. Nivomat Rear susp.)			341217 (9)								
VOLVO V70												
3/00-04	V70 Station wagon 2WD		334611			551918						SB103
1998-2/00	V70 2W/D Station Wagon (Exc. Cross Country or Nivomat Rear susp.)					KG5747						SB103
1998-04	Springseat (V70)								SM5351			
VOLVO V90												
1997-98	Strut Mount w/ bearing								SM5092			
VOLVO 120, 130, 220 Series												
1961-70	ALL (Exc. 120 S/W)		343137	343219	KG5514	KG5517						
1961-70	120 Station Wagon		343137	343030	KG5514	KG4006						
VOLVO 140, 160 Series												
1975	164 Model		343127	343010	KG4550	KG5553						
1967-74	ALL		343127		KG4550	KG5535						
VOLVO 1800S , E , ES Series												
1961-73	ALL		343137	343219	KG5514	KG5517						
VOLVO 240, 260 Series												
1979-93	ALL(Exc.w/ High Pressure		365006	343010		KG5553			SM5050			SB101
1979-93	High Pressure Gas Strut Equipped		(13) 365006	343010		KG5553			SM5050			
1979-85	265 Model(Exc.Nivomat Rear Susp.)		365006	343010		KG5553			SM5050			SB101
1975-78	ALL		365006	343010		KG5553			SM5050			SB101
VOLVO PV-444, PV-544 Series												
1945-66	Sedans			343039		KG5552						
VOLVO 740, 760,780 Series												
1988-93	780 and 760 Sedans		365053						SM5092			SB111
1985-92	740 & 760 S/W (Exc.Nivomat Susp.) (Footnote # 14)		365053	344270		KG5565			SM5092			SB111
1985-87	760 Sedan (Exc.Nivomat Susp.) (Footnote # 14)		365053	344270		KG5565			SM5092			SB111
1983-84	740,760 Models (Exc.Nivomat Susp.) (Footnote # 14)			344270		KG5565			SM5092			SB111
VOLVO 850 Series												
1993-97	ALL (Exc.Rear Self-Leveling)					KG5747			SM5165	SM5220	SB103	
1993-97	Springseat								SM5351			

Applications for Passenger Cars

VEHICLE MAKE, MODEL & YEAR	MARQUE, MODÉLÉ ET ANNÉE DU VÉHICULE	La MARCA el MODELO & AÑO	GR-2		Gas-a-Just		AGX		STRUT & SHOCK MOUNTS / KITS		BOOT KITS	
			FRONT	REAR	FRONT	REAR	FRONT	REAR	FRONT	REAR	FRONT	REAR
VOLVO 940, 960 Series												
1995-96	940 (Exc. Nivomat Rear Susp.) (Footnote # 14)		365053	344270		KG5565			SM5092		SB111	
1991-94	ALL (Exc. Nivomat Rear Susp.)		365053	344270		KG5565			SM5092		SB111	
1991-94	ALL w/ Nivomat Rear Susp.		365053						SM5092		SB111	

VOLVO Coupe												
1991	ALL		365053						SM5092		SB102	

WILLYS > See JEEP, Truck Section												

2006 KYB CATALOG FOOTNOTES

- (1) The original High Pressure Gas Strut Cartridge can be replaced by 364021 with BootKit # SB101
- (2) The KYB replacement unit comes with a new dustcover/ bumper assembly.
- (3) Use Kit #103
- (4) Use Kit #104
- (5) Use Kit #105
- (6) GR-2 equivalent is 345030
- (7) Use Kit #107
- (8) When 334226 stock is depleted, use 334316
- (9) New Part Number; Available Fall 2006
- (10) To install and adjust the rear AGX struts on Subaru WRX, the rear seat cushions need to be removed and reinstalled. See the special instruction sheet packed with the AGX strut. It is important that these seat cushions be reinstalled and bolted per Factory specifications. If left unbolted, an unsafe condition will exist for the vehicle occupants.
- (11) When 235044 stock is depleted, use 235901
- (12) On models originally equipped with Nivomat self-leveling rear shocks, to install KG4549 replace the original rear coil spring with Saab P/N 8960940
- (13) If the Vehicle is originally equipped with High Pressure Gas Cartridges; The following parts are required to install 365006: 1) Adapter P/N 1229423-7 (from Volvo dealer) installed under the cartridge in the strut housing, 2) KYB Strut Boot Kit 1) Adapter P/N 1229423-7# SB101 installed on the cartridge piston rod.
- (14) On models originally equipped with Nivomat self-leveling rear shocks, to install KG5565 replace the original coil spring with Volvo spring P/N 1359710. Use the listed application strut cartridges on the front end.
- (15) Reuse original internal-threaded strut body nut on certain applications; or replace with VW P/N 823412047.
- (16) When 235045 stock is depleted, use 235902
- (17) When 235609 stock is depleted, use 235903
- (18) Strut must be cut to install cartridge. Check strut for a cut line groove (20mm from strut top). If no cut line groove is found, do not cut strut open as there are no threads inside. The complete strut must be replaced.
- (20) See Special Installation Instructions Appendix A.
- (21) To replace the Original Equipment self-leveling air strut: use KYB gas strut # 235025 with Strut Boot Kit # SB104. Deactivate the self-leveling system per Appendix B.
- (22) For vehicles with Electronic Suspensions, Leveling Control, and Air Suspensions refer to Appendix C.
- (23) Install KG4521 with the dustcover to the rear of the vehicle, the spacers (in KG4521 box) to the inboard side of the shock, and the axle mounting bracket spread slightly (1-2mm).
- (25) Eliminates OEM airshocks. See appendix B for special instructions.
- (26) The Jaguar Rear Self-Leveling Units can be eliminated by replacing them with P/N KG9309 (2 req) and KYB Conversion kit P/N KIT109 (1 req). Vehicles with totally worn-out self-leveling shocks may have fatigued rear springs. If necessary, Jaguar spring kit #JLM-11382 is required to restore proper ride height. Kit #JLM-11382 consists of (2) springs and spring shims and is available from a Jaguar dealer.
- (27) When 235011 stock is depleted, use 334325
- (28) When 234014 stock is depleted, use 333141
- (29) When 344604 stock is depleted, use 343290
- (30) When 344605 stock is depleted, use 343291

2006 KYB CATALOG FOOTNOTES

- (31) New Part Number; Available 1st Quarter 2004
- (32) 2000-02 require bushing kit C052 with KG5458 on Police / Taxi
- (33) When 344601 stock is depleted, use 343149
- (34) When 235622 stock is depleted, use 333348
- (35) When 235623 stock is depleted, use 333349
- (36) When 235615 stock is depleted use 234901
- (37) When 235616 stock is depleted use 234902
- (38) When 235610 stock is depleted use 344609
- (39) When 235611 stock is depleted use 344610
- (40) When 235705 stock is depleted use 235039
- (41) When 235706 stock is depleted use 235040
- (42) When 235707 stock is depleted use 235041
- (43) When 235708 stock is depleted use 334133
- (44) When 235709 stock is depleted use 334134
- (45) When 235710 stock is depleted use 334245
- (46) When 235711 stock is depleted use 334246
- (47) When 334220 stock is depleted use 334812
- (48) When 343280 stock is depleted use 343348
- (49) When 341160 stock is depleted use 341268
- (50) When 341126 stock is depleted use 341143
- (51) When 341314 stock is depleted use 341351
- (52) When 341315 stock is depleted use 341352
- (53) When 551601 stock is depleted use 555601
- (54) When 551603 stock is depleted use 555603

APPENDIX A

SUBJECT: MacPherson strut cartridge replacement on GM-10 series ("W"-car) vehicles. This includes 1988 and later Pontiac Grand Prix, Oldsmobile Cutlass and Buick Regal, 1989 and later Chevrolet Lumina.

PROBLEM: A MacPherson strut spring compressor is not required to replace the MacPherson struts on these vehicles. The strut cartridge is removed and replaced through the body shock tower. Special tools are required.

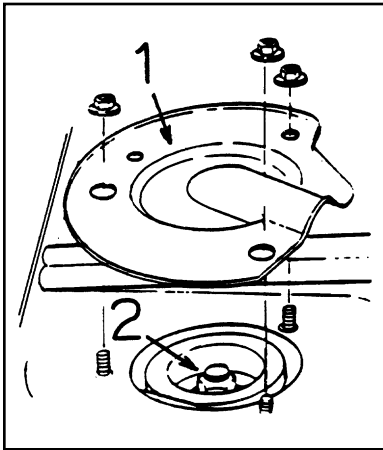
W-CAR TOOL SUPPLIERS

COMPANY	PHONE
Branick #GMW-594	1-800-437-4394
GP Tool # GP2013-8 w/ #GP2013-12	1-800-223-0555
Schley #88400	1-714-693-7666
Specialty #88802 w/ # 88805	1-800-525-6505

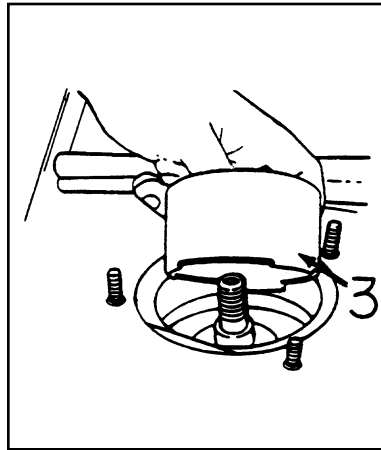


CAUTION:

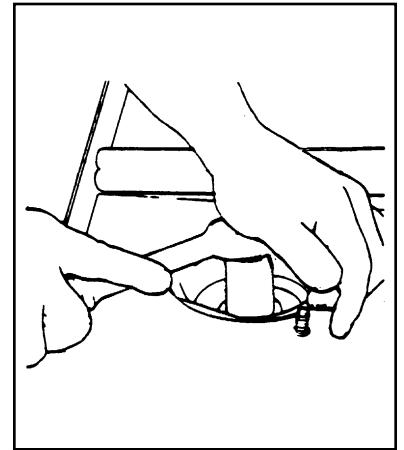
Do not service the strut unless the vehicle is on the floor. All 4 tires must be on the floor and facing straight ahead, otherwise the coil spring can fly free.



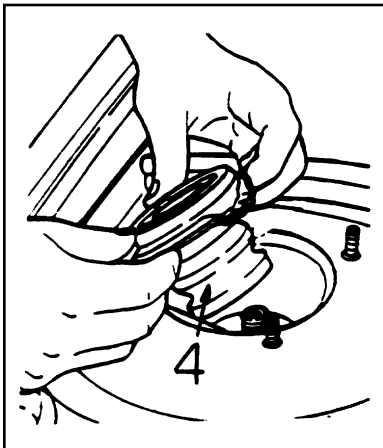
1. Remove the three nuts and the strut mount cover (Item 1). Remove the strut piston rod nut (Item 2).



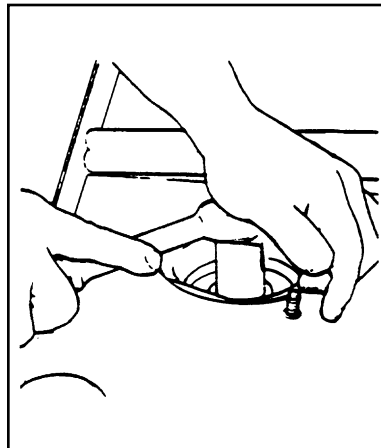
2. Remove the strut mount bushing (Item 3) by prying with a suitable tool.



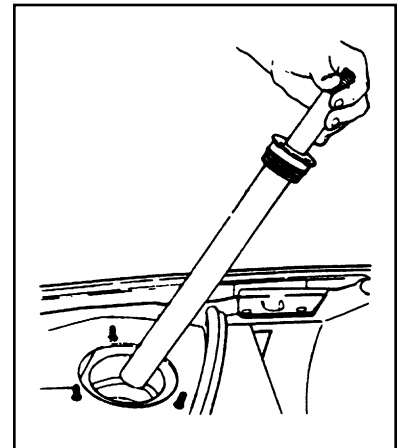
3. Remove the jounce bumper retaining plate using a special tool. Rotate tool counterclockwise to remove.



4. Remove the jounce bumper (Item 4).



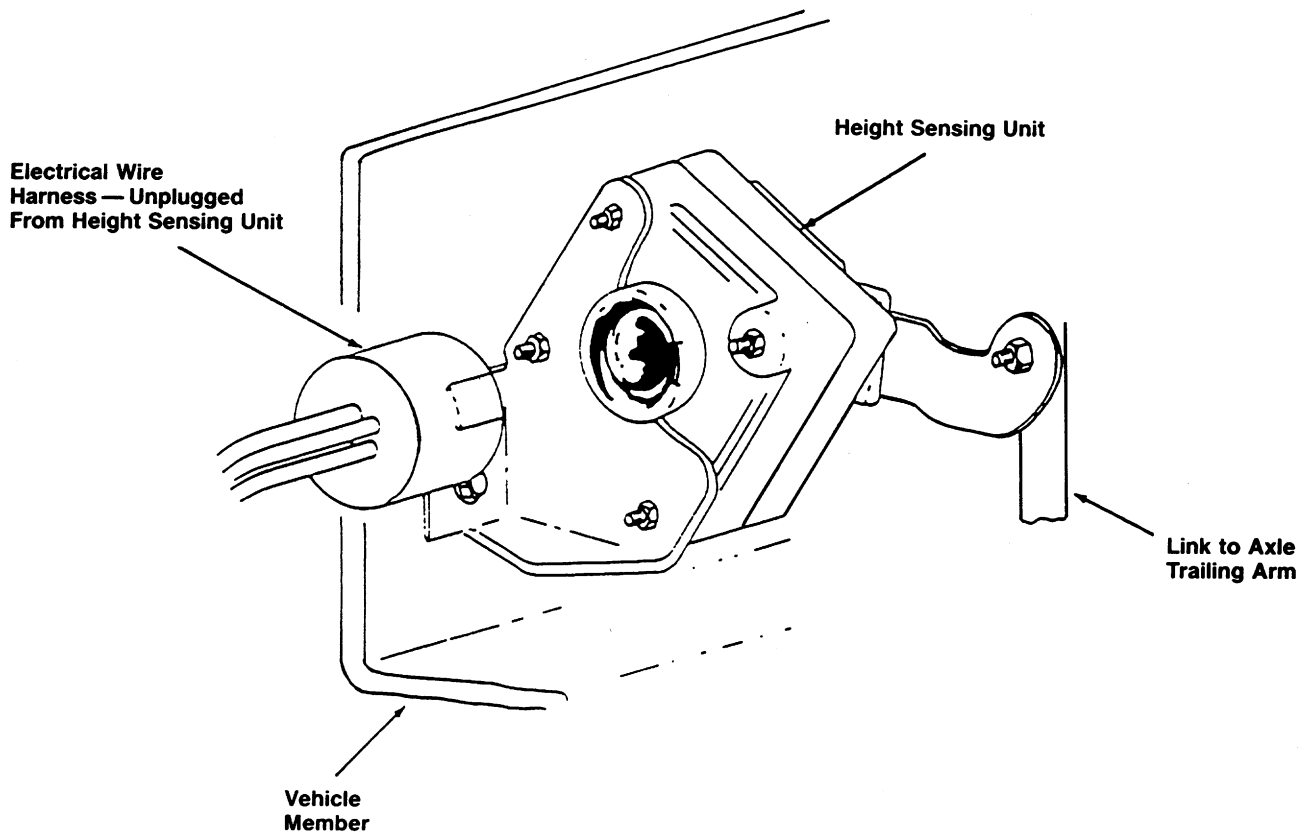
5. Remove the strut cartridge retaining nut using a special tool.



6. Remove the strut cartridge and replace with a new unit. Replace all components in reverse order of disassembly. Torque cartridge retaining nut and all nuts and bolts to manufacturer's specifications.

APPENDIX B

SELF LEVELING SYSTEM ELECTRONIC COMPRESSOR DEACTIVATION PROCEDURE FOR GM MODELS



When installing conventional shock absorbers on GM models equipped with self-leveling rear suspension that uses an electronic compressor, the following procedure should be used:

- 1) Locate height sensing unit on under body of vehicle approximately above the rear axle. Locate a small link connected to the rear axle trailing arm. The upper end of this link will be connected to the electronic height sensing unit.
- 2) Unplug electrical wire harness from the height sensing unit. System is now deactivated.
- 3) Cover exposed electrical connector with tape or other suitable material and secure to underside of vehicle.
- 4) It is Not necessary to disconnect link to axle trailing arm.

APPENDIX C

ELECTRONIC SUSPENSIONS AIR SUSPENSIONS AND ELECTRONIC LEVEL CONTROLS

Occasionally a customer will inquire if their vehicle's electronic suspension, air suspension or rear electronic level control can be replaced with standard components. The following chart will assist you in determining answers to these inquiries.

VEHICLE/SYSTEM

GM, FORD, CHRYSLER FULLSIZE AND INTERMEDIATES

Electronic level control ELC; known also as air shocks, air struts.

In most cases, standard shocks and struts can be installed if the ELC System is disarmed. Refer to Appendix B for one such disarming procedure.

LINCOLN CONTINENTAL, MITSUBISHI GALANT, SUBARU

Air suspension struts; i.e.,

These systems cannot be substituted for without extensive vehicle modification. KYB does not recommend removal.

DODGE STEALTH 1991-96 with ECS (Electronic Controlled Suspension)

1. Remove front struts and rear shock activators.
2. Unplug control module behind right rear trim panel.
3. Remove and install struts and shocks per instruction sheet supplied with units.
4. Use the following units: 335013 Front, 341184 Rear (2 W/D), 341185 Rear (4 W/D).

CHEVROLET CORVETTE 1990-94 — with ERC (Electronic Ride Control)

1. Remove shock actuators.
2. Unplug ERC module located in rear cargo area.
3. Remove & install shocks per instruction sheet supplied with units.
4. Use the following units: KG5570 Front, KG5571 Rear.

FORD PROBE GT 1989-92 — with PRC (Programmed Ride Control)

1. Remove strut actuators.
2. Unplug PRC module located under the passenger seat.
3. Remove & install struts per instruction sheet supplied with units.
4. Use the following units: 235046 Right Front, 235047 Left Front, 235606 Rear.

FORD THUNDERBIRD SUPER COUPE 1989-96 with PRC (Programmed Ride Control)

This system cannot be substituted without extensive vehicle modification. KYB Does Not Recommend Removal.

FORD THUNDERBIRD TURBO COUPE 1987-88 with PRC (Programmed Ride Control)

1. Remove strut and shock actuators.
2. Unplug PRC module located in the trunk behind rear seat.
3. Remove & install struts and shocks per instruction sheet supplied with units.
4. Use the following units: 235008 Front, KG5556 Rear.

MAZDA MX6 GT 1988-92 — with AAS (Auto Adjust Suspension)

1. Remove strut actuators.
2. Unplug AAS module located in the trunk.
3. Remove & install struts per instruction sheet supplied with units.
4. Use the following units: 235046 Right Front, 235047 Left Front, 235606 Rear.

MAZDA RX7 TURBO 1989-92 & MAZDA RX7 GXL 1986-88 with AAS (Auto Adjust Suspension)

1. Remove strut and shock actuators.
2. Unplug AAS module located in the trunk.
3. Remove and install struts & shocks per instruction sheet supplied with units.
4. Use the following units: 235012 Right Front, 235013 Left Front, KG9132 Rear.

MAZDA 323 1986-89 — with ASA (Adjustable Shock Absorber)

1. Remove strut actuators.
2. Unplug control switch connector behind the dash.
3. Remove & install struts per instruction sheet supplied with units.
4. Use the following units: 234008 Right Front, 234009 Left Front, 232011 Right Rear, 232012 Left Rear.
5. NOTE: The front upper mount must be replaced with a standard OE upper mount.

MAZDA 626 1988-92 with AAS (Auto Adjust Suspension)

1. Remove strut actuators.
2. Unplug AAS module located in the trunk.
3. Remove & install shocks per instruction sheet supplied with units.
4. Use the following units: 235046 Right Front, 235047 Left Front, 235606 Rear.

MAZDA 626 1983-87 — with AAS (Auto Adjust Suspension)

1. Remove strut actuators.
 2. Unplug AAS module located in the trunk.
 3. Remove & install struts per instruction sheet supplied with units.
 4. Use the following units: 233007 Right Front, 233008 Left Front, 234050 Rear.
-

MERCURY COUGAR XR7 1987-88 with PRC (Programmed Ride Control)

1. Remove strut and shock actuators.
 2. Unplug PRC module located in the trunk behind rear seat.
 3. Remove & install struts and shocks per instruction sheet supplied with units.
 4. Use the following units: 235008 Front, KG5556 Rear.
-

MERCURY COUGAR XR7 1989-96 with PRC (Programmed Ride Control)

This system cannot be substituted without extensive vehicle modification. KYB Does Not Recommend Removal.

MITSUBISHI 3000 GT 1991-99 with ECS (Electronic Controlled Suspension)

1. Remove front struts and rear shock activators.
 2. Unplug control module behind right rear trim panel.
 3. Remove and install struts and shocks per instruction sheet supplied with units.
 4. Use the following units: 335013 Front, 341184 Rear (2 W/D), 341185 Rear (4 W/D).
-

MITSUBISHI MONTERO 1992-96 with VSA (Variable Shock Absorbers)

1. Remove shock activators.
 2. Unplug control module behind left rear trim panel.
 3. Remove and install shocks per instruction sheet supplied with units.
 4. Use the following units: KG54302 Front, KG54303 Rear.
-

NISSAN 300ZX 1984-89 with ECVSA (Electronically Controlled Variable Shock Absorber)

1. Remove strut and shock actuators.
 2. Unplug ECVSA control module per Kit 108A instruction.
 3. Remove & install cartridges and shocks per instruction sheet supplied with units and Kit 108A.
 4. Use the following units: 365056 Front, KG5787A Rear.
 5. NOTE: Conversion Kit 108A (1 req.) necessary to convert entire vehicle. The original rear shock bumpers are not reusable.
-

NISSAN 300ZX 1990-95 with ECVSA (Electronically Controlled Variable Shock Absorber)

1. Remove shock actuators.
 2. Unplug the ECVSA control module.
 3. Remove & install shocks per instruction sheet supplied with units.
 4. Fire/drill open round hole ($\frac{1}{2}$ " i.d.) in front shock upper insulator.
 5. Fire/drill open ($\frac{7}{16}$ " i.d.) the rear shock upper mount spacer.
 6. Use the following units: 341149 Right Front 341150 Left Front, 341151 Rear.
-

NISSAN MAXIMA 1989-94 with Nissan Sonar Suspension II

1. Remove strut actuators.
 2. Unplug NSS module located in the console.
 3. Remove and install struts & shocks per instruction sheet supplied with units.
 4. Use the following units: 235051 Right Front, 235052 Left Front, 365079 Rear.
-

NISSAN MAXIMA 1985 with ECVSA (Electronically Controlled Variable Shock Absorber)

1. Remove the strut actuators.
 2. Unplug ECVSA module located in the trunk.
 3. Remove & install struts per instruction sheet supplied with units.
 4. Replace the front strut mounts with KYB #SM5065 and the front upper spring seats, thrust seats, and strut tower covers with Nissan P/N's: 54040-05E00, 54043-01E00, and 54380-05E00. Two each of these 4 P/N's are required.
 5. Use the following units: 235030 Right Front, 235031 Left Front, and 365080 Rear.
-

NISSAN MAXIMA 1986-88 with ECVSA (Electronically Controlled Variable Shock Absorber)

1. Remove the strut actuators.
 2. Unplug ECVSA module located in the trunk.
 3. Remove & install struts per instruction sheet supplied with the units.
 4. Replace the front strut mounts with KYB #SM5065 and the front upper spring seats, thrust seats, and strut tower covers with Nissan P/N's: 54040-05E00, 54043-01E00, and 54380-05E00. Two each of these 4 P/N's are required.
 5. Use the following units: 235019 Right Front, 235020 Left Front, and 365080 Rear.
-

NISSAN PATHFINDER 1987-95 with ASA (Adjustable Shock Absorber)

1. Remove shock actuators.
 2. Unplug control switch located in console.
 3. Remove & install shocks per instruction sheet supplied with units.
 4. Use the following units: KG5476 Front, KG5438 Rear.
-

TOYOTA CRESSIDA 1986-88 with TEMS (Toyota Electronic Modulated Suspension)

1. Remove shock actuators.
 2. Unplug TEMS module located behind the right rear trim panel.
 3. Remove & install shocks per instruction sheet supplied with units.
 4. Use the following units: N/A Front, 343042 Rear.
-

TOYOTA SUPRA MAR. 1986-91 with TEMS (Toyota Electronic Modulated Suspension)

1. Remove shock actuators.
 2. Unplug TEMS module located under the dash.
 3. Remove & install shocks per instruction sheet supplied with units.
 4. Use the following units: 341069 Front, 341070 Rear.
-

ANNEXE A

OBJET : Remplacement d'une cartouche de jambe de suspension MacPherson sur les véhicules de série GM-10 (plate-forme W-CAR). Cela comprend les modèles 1988 et suivants des Pontiac Grand Prix, Oldsmobile Cutlass et Buick Regal, ainsi que les modèles 1989 et suivants de la Chevrolet Lumina.

PROBLÈME : Il n'est pas nécessaire d'utiliser un compresseur de ressort de jambe de suspension MacPherson pour remplacer les amortisseurs MacPherson sur ces véhicules. On retire et remplace la cartouche par la tourelle de la jambe de suspension. Il faut donc utiliser des outils spéciaux.

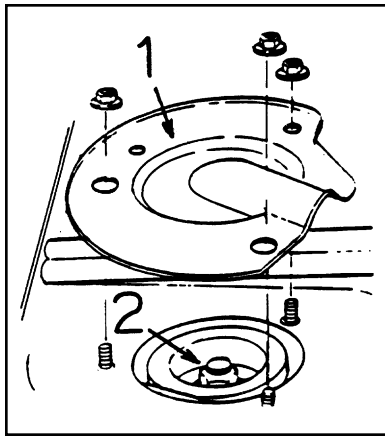
FOURNISSEURS D'OUTILS (PLATE-FORME W-CAR)

ENTREPRISE	TÉLÉPHONE
Branick GMW-594	1 800 437-4394
GP Tool GP2013-8 avec GP2013-12	1 800 223-0555
Schley 88400	(714) 693-7666
Specialty 88802 avec 88805	1 800 525-6505

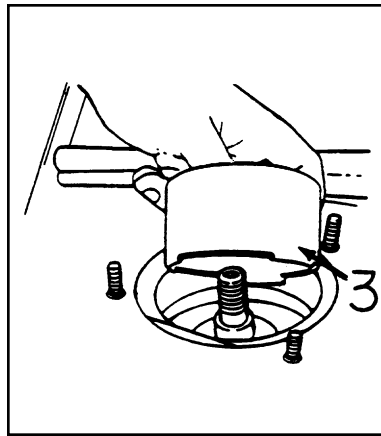


AVERTISSEMENT:

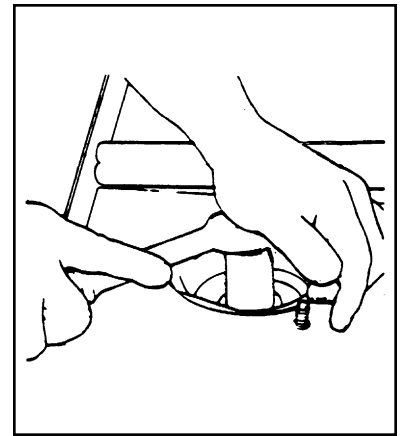
Pour travailler sans danger sur les jambes de suspension, le véhicule doit reposer sur ses quatre roues, orientées droit devant, sans quoi le ressort hélicoïdal ne sera pas retenu en place.



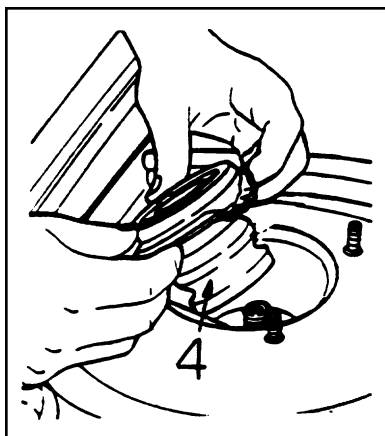
1. Enlever les trois écrous et le couvercle du support de la jambe de suspension (point 1). Enlever l'écrou de la tige du piston (point 2).



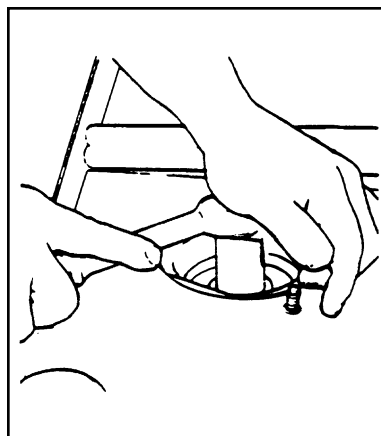
2. Enlever la bague du support (point 3) en utilisant un outil adéquat comme levier.



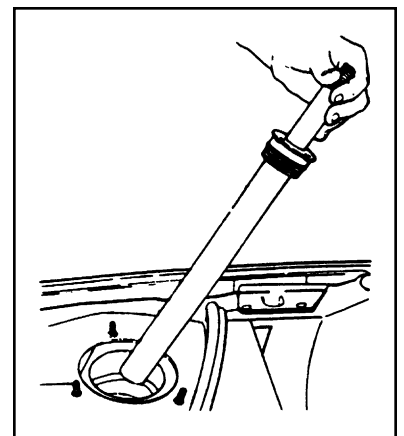
3. Enlever la plaque qui retient la butée de chocs à l'aide d'un outil spécial, en tournant dans le sens contraire des aiguilles d'une montre.



4. Enlever la butée de chocs (point 4).



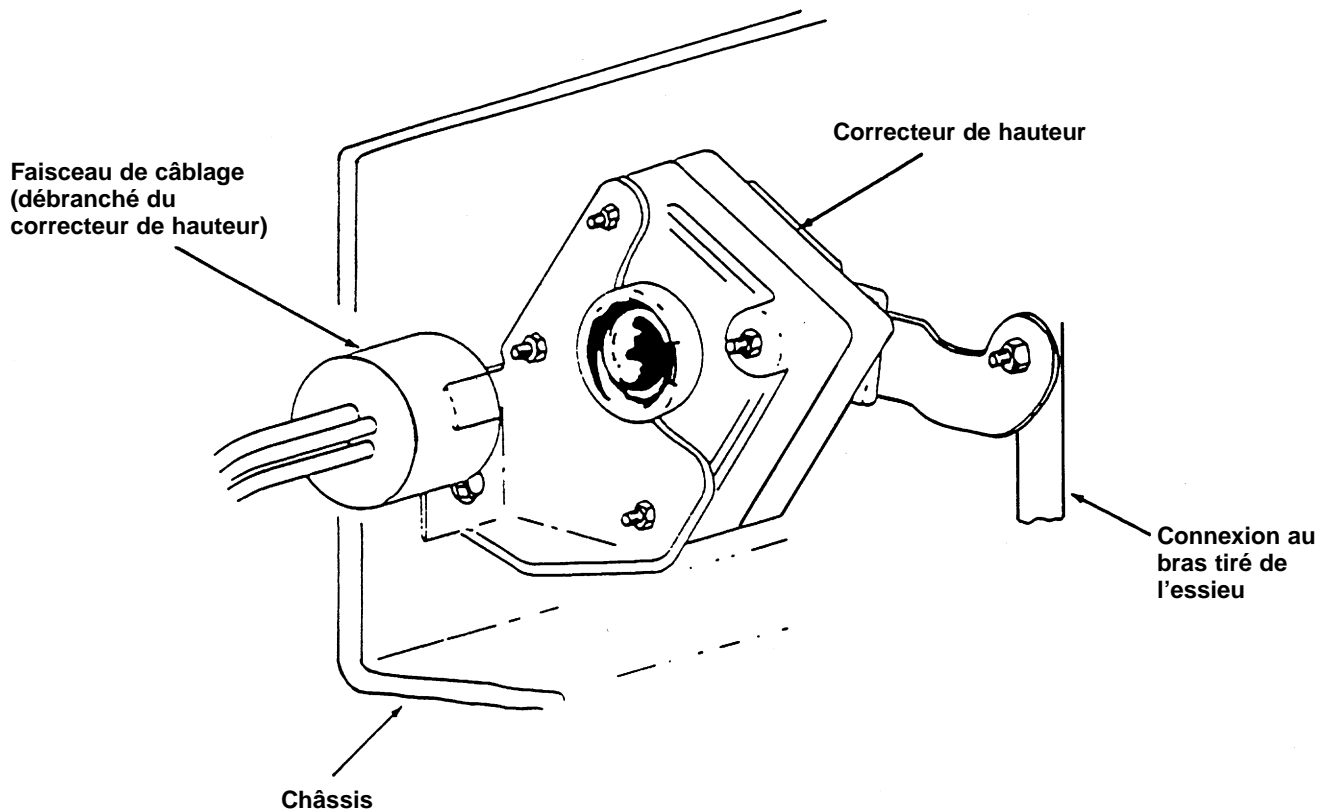
5. Enlever l'écrou qui retient en place la cartouche de la jambe de suspension à l'aide d'un outil spécial.



6. Enlever la cartouche et la remplacer par une neuve. Remonter la suspension en procédant dans l'ordre inverse. Serrer l'écrou qui retient la cartouche, de même que tous les autres écrous et boulons selon les directives du fabricant.

ANNEXE B

PROCÉDURE DE DÉSACTIVATION DU COMPRESSEUR ÉLECTRONIQUE DU SYSTÈME D'AUTORÉGLAGE DES MODÈLES GM



Quand on installe des amortisseurs traditionnels sur un modèle GM muni d'une suspension arrière autoréglable avec compresseur électronique, il faut suivre la procédure suivante :

1. Situer le correcteur de hauteur fixé sous le véhicule, généralement au-dessus de l'essieu arrière. Trouver la petite connexion au bras tiré de l'essieu arrière. L'extrémité supérieure de cette connexion est liée au correcteur de hauteur électronique.
2. Débrancher le faisceau de câblage du correcteur de hauteur. Le système est maintenant désactivé.
3. Couvrir le connecteur électrique ainsi exposé d'un bout de ruban isolant ou de tout autre matériel adéquat et le fixer sous le véhicule.
4. Il n'est pas nécessaire de débrancher la connexion au bras tiré de l'essieu.

ANNEXE C

SUSPENSIONS ÉLECTRONIQUES, SUSPENSIONS PNEUMATIQUES ET LES SYSTÈMES D'AUTORÉGLAGE ÉLECTRONIQUES

Il peut arriver qu'un client demande si l'on peut remplacer la suspension électronique, la suspension pneumatique ou le système d'autoréglage électronique arrière de son véhicule par des pièces standard. Le tableau ci-dessous vous aidera à répondre à ce genre de questions.

VÉHICULE ET SYSTÈME

GM, FORD ET CHRYSLER STANDARD et INTERMÉDIAIRES

Système d'autoréglage électronique; aussi appelé suspension ou amortisseurs pneumatiques.

Dans la majorité des cas, des amortisseurs et jambes de suspension standard peuvent être installés si le système est désactivé. Consulter l'annexe B pour plus de détails sur la procédure connexe.

LINCOLN CONTINENTAL, MITSUBISHI GALANT et SUBARU

Suspension pneumatique

Ces systèmes ne peuvent être remplacés sans apporter des modifications majeures au véhicule. KYB ne recommande donc pas ce changement.

DODGE STEALTH 1991-1996 avec suspension électronique

1. Retirer les activateurs des jambes de suspension avant et des amortisseurs arrière.
2. Débrancher le module électronique derrière le panneau de garnissage arrière droit.
3. Enlever et installer les jambes de suspension et les amortisseurs selon les directives fournies.
4. Utiliser les pièces suivantes : 335013 avant, 341184 arrière (2 roues motrices), 341185 arrière (4 roues motrices).

CHEVROLET CORVETTE 1990-1994 avec système de réglage de suspension électronique

1. Enlever les actionneurs des amortisseurs.
2. Débrancher le module électronique, dans le compartiment arrière.
3. Enlever et installer les amortisseurs selon les directives fournies.
4. Utiliser les pièces suivantes : KG5570 avant, KG5571 arrière.

FORD PROBE GT 1989-1992 avec système de réglage de suspension programmé

1. Enlever les actionneurs des jambes de suspension.
2. Débrancher le module de réglage, sous le siège du passager.
3. Enlever et installer les jambes de suspension selon les directives fournies.
4. Utiliser les pièces suivantes : 235046 avant droite, 235047 avant gauche, 235606 arrière.

FORD THUNDERBIRD COUPÉ SUPER 1989-1996 avec système de réglage de suspension programmé

Ce système ne peut être remplacé sans apporter des modifications majeures au véhicule. KYB ne recommande donc pas ce changement.

FORD THUNDERBIRD COUPÉ TURBO 1987-1988 avec système de réglage de suspension programmé

1. Enlever les actionneurs des jambes de suspension et des amortisseurs.
2. Débrancher le module électronique, dans le coffre, derrière le siège arrière.
3. Enlever et installer les jambes de suspension et les amortisseurs selon les directives fournies.
4. Utiliser les pièces suivantes : 235008 avant, KG5556 arrière.

MAZDA MX6 GT 1988-1992 avec suspension autoréglable

1. Enlever les actionneurs des jambes de suspension.
2. Débrancher le module d'autoréglage, dans le coffre.
3. Enlever et installer les jambes de suspension selon les directives fournies.
4. Utiliser les pièces suivantes : 235046 avant droite, 235047 avant gauche, 235606 arrière.

MAZDA RX7 TURBO 1989-1992 et MAZDA RX7 GXL 1986-1988 avec suspension autoréglable

1. Enlever les actionneurs des jambes de suspension et des amortisseurs.
2. Débrancher le module d'autoréglage, dans le coffre.
3. Enlever et installer les jambes de suspension et les amortisseurs selon les directives fournies.
4. Utiliser les pièces suivantes : 235012 avant droite, 235013 avant gauche, KG9132 arrière.

MAZDA 323 1986-1989 avec amortisseurs ajustables

1. Enlever les actionneurs des jambes de suspension.
2. Débrancher le connecteur de l'interrupteur de commande, derrière le tableau de bord.
3. Enlever et installer les jambes de suspension selon les directives fournies.
4. Utiliser les pièces suivantes : 234008 avant droite, 234009 avant gauche, 232011 arrière droite, 232012 arrière gauche.
5. *NOTA* : Le support supérieur avant doit être remplacé par un support supérieur d'origine standard.

MAZDA 626 1988-1992 avec suspension autoréglable

1. Enlever les actionneurs des jambes de suspension.
2. Débrancher le module d'autoréglage, dans le coffre.
3. Enlever et installer les amortisseurs selon les directives fournies.
4. Utiliser les pièces suivantes : 235046 avant droite, 235047 avant gauche, 235606 arrière.

MAZDA 626 1983-1987 avec suspension autoréglable

1. Enlever les actionneurs des jambes de suspension.
2. Débrancher le module d'autoréglage, dans le coffre.
3. Enlever et installer les jambes de suspension selon les directives fournies.
4. Utiliser les pièces suivantes : 233007 avant droite, 233008 avant gauche, 234050 arrière.

MERCURY COUGAR XR7 1987-1988 avec système de réglage de suspension programmé

1. Enlever les actionneurs des jambes de suspension et des amortisseurs.
2. Débrancher le module de réglage, dans le coffre, derrière le siège arrière.
3. Enlever et installer les jambes de suspension et les amortisseurs selon les directives fournies.
4. Utiliser les pièces suivantes : 235008 avant, KG5556 arrière.

MERCURY COUGAR XR7 1989-1996 avec système de réglage de suspension programmé

Ce système ne peut être remplacé sans apporter des modifications majeures au véhicule. KYB ne recommande donc pas ce changement.

MITSUBISHI 3000 GT 1991-1996 avec suspension électronique

1. Retirer les activateurs des jambes de suspension avant et des amortisseurs arrière.
2. Débrancher le module électronique derrière le panneau de garnissage arrière droit.
3. Enlever et installer les jambes de suspension et les amortisseurs selon les directives fournies.
4. Utiliser les pièces suivantes : 335013 avant, 341184 arrière (2 roues motrices), 341185 arrière (4 roues motrices).

MITSUBISHI MONTERO 1992-1996 avec amortisseurs variables

1. Retirer les activateurs des amortisseurs.
2. Débrancher le module de contrôle derrière le panneau de garnissage arrière gauche.
3. Enlever et installer les amortisseurs selon les directives fournies.
4. Utiliser les pièces suivantes : KG54302 avant, KG54303 arrière.

NISSAN 300ZX 1984-1989 avec amortisseurs variables électroniques

1. Enlever les actionneurs des jambes de suspension et des amortisseurs.
2. Débrancher le module électronique selon les directives de l'ensemble 108A.
3. Enlever et installer les cartouches et les amortisseurs selon les directives fournies avec l'ensemble 108A.
4. Utiliser les pièces suivantes : 365056 avant, KG5787A arrière.
5. *NOTA* : Il faut un ensemble de conversion 108A pour modifier le véhicule au complet. Il faut changer les butées en caoutchouc des amortisseurs arrière.

NISSAN 300ZX 1990-1995 avec amortisseurs variables électroniques

1. Enlever les actionneurs des amortisseurs.
2. Débrancher le module électronique.
3. Enlever et installer les amortisseurs selon les directives fournies.
4. Limer ou percer un trou de 1/2 po de diamètre dans l'isolant de la partie supérieure de l'amortisseur avant.
5. Limer ou percer un trou de 7/16 po de diamètre dans la rondelle du support supérieur de l'amortisseur arrière.

6. Utiliser les pièces suivantes : 341149 avant droite, 341150 avant gauche, 341151 arrière.

NISSAN MAXIMA 1989-1994 avec suspension Sonar II de Nissan

1. Enlever les actionneurs des jambes de suspension.
2. Débrancher le module Sonar II, dans la console.
3. Enlever et installer les jambes de suspension et les amortisseurs selon les directives fournies.
4. Utiliser les pièces suivantes : 235051 avant droite, 235052 avant gauche, 365079 arrière.

NISSAN MAXIMA 1985 avec amortisseurs variables électroniques

1. Enlever les actionneurs des jambes de suspension.
2. Débrancher le module électronique, dans le coffre.
3. Enlever et installer les jambes de suspension selon les directives fournies.
4. Remplacer les supports des jambes de suspension avant par des KYB SM5065, ainsi que les supports supérieurs des ressorts avant, les appuis de butée et les garnitures de tourelle d'amortisseur par les pièces Nissan suivantes : 54040-05E00, 54043-01E00 et 54380-05E00. Il en faut deux de chacune.
5. Utiliser les pièces suivantes : 235030 avant droite, 235031 avant gauche, 365080 arrière.

NISSAN MAXIMA 1986-1988 avec amortisseurs variables électroniques

1. Enlever les actionneurs des jambes de suspension.
2. Débrancher le module électronique, dans le coffre.
3. Enlever et installer les jambes de suspension selon les directives fournies.
4. Remplacer les supports des jambes de suspension avant par des KYB SM5065, ainsi que les supports supérieurs des ressorts avant, les appuis de butée et les garnitures de tourelle d'amortisseur par les pièces Nissan suivantes : 54040-05E00, 54043-01E00 et 54380-05E00. Il en faut deux de chacune.
5. Utiliser les pièces suivantes : 235019 avant droite, 235020 avant gauche, 365080 arrière.

NISSAN PATHFINDER 1987-1995 avec amortisseurs ajustables

1. Enlever les actionneurs des amortisseurs.
2. Débrancher l'interrupteur de commande dans la console.
3. Enlever et installer les amortisseurs selon les directives fournies.
4. Utiliser les pièces suivantes : KG5476 avant, KG5438 arrière.

TOYOTA CRESSIDA 1986-1988 avec suspension à modulation électronique de Toyota

1. Enlever les actionneurs des amortisseurs.
2. Débrancher le module électronique, derrière le panneau de garnissage arrière droit.
3. Enlever et installer les amortisseurs selon les directives fournies.
4. Utiliser les pièces suivantes : s.o. avant, 343042 arrière.

TOYOTA SUPRA MAR. 1986-1991 avec suspension à modulation électronique de Toyota

1. Enlever les actionneurs des amortisseurs.
2. Débrancher le module électronique, derrière le tableau de bord.
3. Enlever et installer les amortisseurs selon les directives fournies.
4. Utiliser les pièces suivantes : 341069 avant, 341070 arrière.

APÉNDICE A

Tema: Reemplazo del McPherson Strut en la serie de vehículos GM-10 ("W"-car). Esto incluye Pontiac Grand Prix, Oldsmobile Cutlass y Buick Regal hasta el 1988 y Chevrolet Lumina del 1989 en adelante.

Problemas: El resorte de compresión del McPherson strut no es requerido para reemplazar el McPherson Strut en estos vehículos. El cartucho del strut es removido y reemplazado por la torre del cuerpo del amortiguador. Se requieren herramientas especiales.

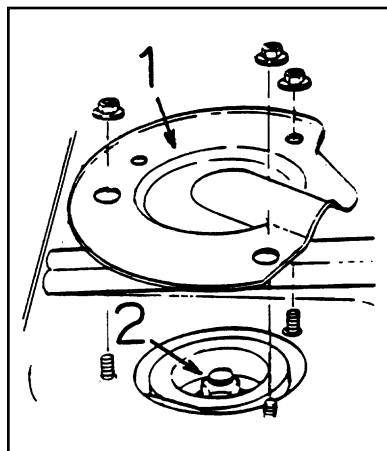
W-CAR TOOL SUPPLIERS

Suplidores de herramientas para W-Car:	Teléfonos:
Branick #GMW-594	1-800-437-4394
Herramienta GP # GP2013-8 con #GP2013-12	1-800-223-0555
Schley #88400	1-714-693-7666
Specialty #88802 con # 88805	1-800-525-6505

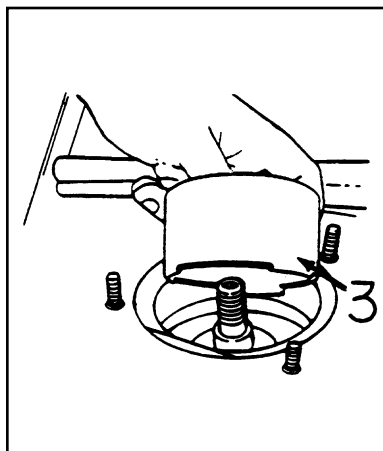


AVISO:

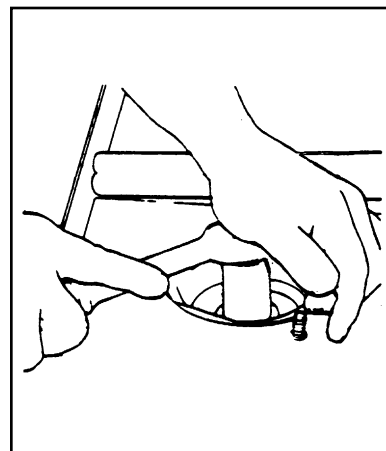
No trabaje en el strut a menos que el vehículo este en el suelo. Las cuatro gomas tienen que estar en el suelo y mirando hacia al frente, si no el resorte podría volar.



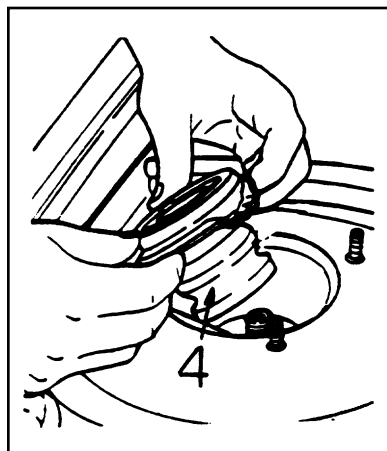
1. Remueva las tres tuercas y la cubierta de la base del strut (Item 1). Remueva la tuerca del pistón de la base del strut (Item 2).



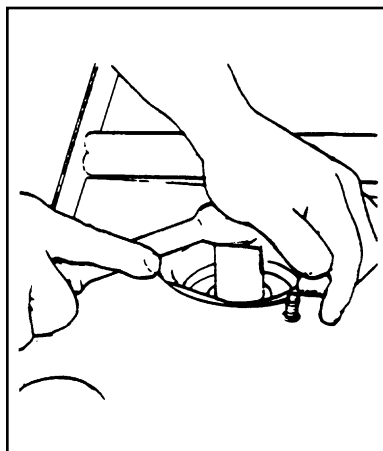
2. Remueva el bushing de la base del strut (item 3) levantándolo con la herramienta adecuada.



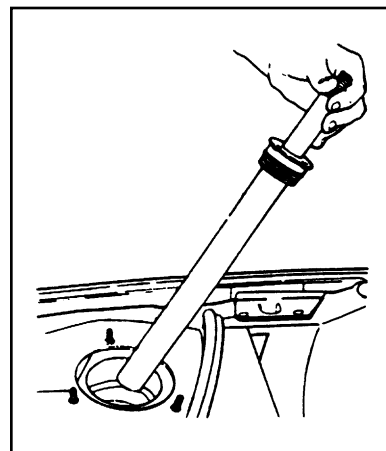
3. Remueva la placa de retención del Jounce bumper usando una herramienta especial. Rote la herramienta a la izquierda para remover.



4. Remueva el Jounce Bumper (item 4)



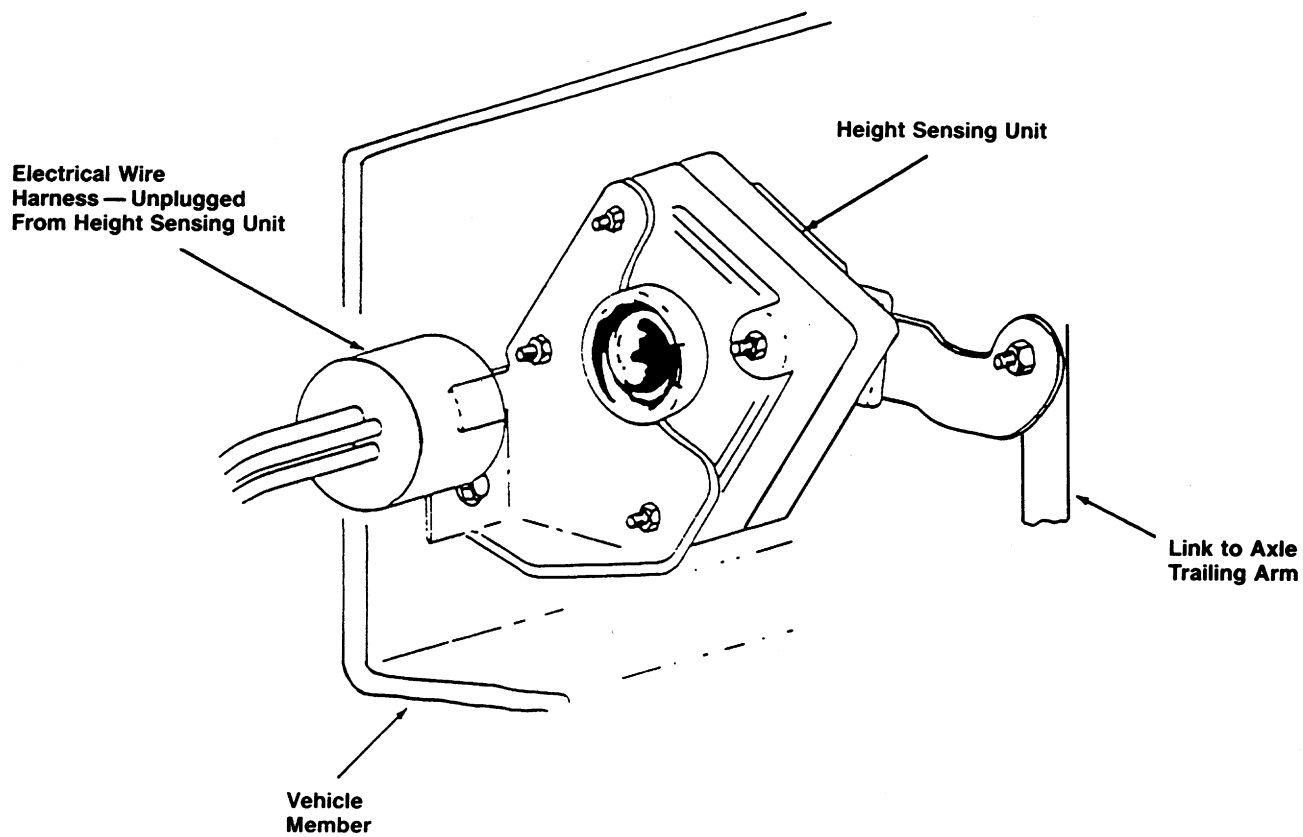
5. Remueva la tuerca de retención del cartucho del strut usando una herramienta especial.



6. Remueva el cartucho del strut y reemplace con una unidad nueva. Reemplace los componentes en orden contrario al que usó para desmontar. Ajuste la tuerca de retención y todas las otras tuercas y tornillos a las especificaciones del fabricante.

APÉNDICE B

SISTEMA DE AUTO NIVELACIÓN COMPRESOR ELECTRÓNICO PROCESO DE DESACTIVACIÓN PARA MODELOS GM



Al instalar amortiguadores convencionales en modelos GM equipados con suspensión trasera de auto-nivelación que usa un compresor eléctrico se debe hacer de la siguiente manera:

1. Localice el sensor de altura en la parte posterior del vehículo, aproximadamente encima del eje trasero. Localice un eslabón pequeño conectado al brazo del eje trasero. La parte superior de este eslabón estará conectada al sensor de altura.
2. Desconecte el arnés de los cables eléctricos de la unidad. El sistema está ahora desactivado.
3. Cubra la conexión eléctrica expuesta con cinta adhesiva u otro material adecuado y sujete a la parte posterior del vehículo.
4. No es necesario desconectar el eslabón del brazo del eje.

APÉNDICE C

SUSPENSIÓN ELECTRÓNICA SUSPENSIÓN DE AIRE Y CONTROLES DE NIVEL ELECTRÓNICOS

De vez en cuando un cliente preguntará si el sistema de suspensión electrónica, de aire o el sistema de control de nivel electrónico puede ser reemplazado con componentes estándar. La siguiente tabla lo ayudará a determinar la contestación a estas preguntas.

VEHÍCULO/SISTEMA

GM, FORD, CHRYSLER, FULLSIZE E INTERMEDIOS

Control de nivel electrónico ELC, también conocidos como amortiguadores de aire y struts de aire.

En la mayoría de los casos los amortiguadores estándar se pueden instalar si el sistema ELC está desactivado. Refiérase al Apéndice B para el procedimiento de desactivación.

LINCOLN, CONTINENTAL, MITSUBISHI, GALANT, SUBARU

Struts de Suspensión de Aire

Este sistema no puede ser sustituido sin hacer modificaciones extensas al vehículo. KYB recomienda que no se elimine.

DODGE STEALTH 1991-96 WITH ECS (Suspension Electronica)

1. Remueva los struts delanteros y los activadores del amortiguador traseros
2. Desconecte el módulo de control en la parte posterior del panel trasero derecho.
3. Remueva e instale los strut y amortiguadores según las instrucciones en la hoja incluida con la unidad.
4. Use las siguientes unidades: 335013 delantero, 341184 trasero (2 w/d), 341185 trasero (4 w/d)

CHEVROLET CORVETTE 1990-94 con ERC (Control Electrónico de Rodaje)

1. Remueva los "strut actuators"
2. Desconecte el módulo del ERC localizado en la parte trasera del área de carga.
3. Remueva e instale los amortiguadores según las instrucciones en la hoja incluida con la unidad.
4. Use las siguientes unidades: KG5570 delantero, KG5571 trasero.

FORD PROBE GT 1989-92 con PRC (Control Electrónico de Rodaje)

1. Remueva los "strut actuators".
2. Desconecte el módulo del PRC localizado debajo del asiento del pasajero.
3. Remueva e instale los struts según las instrucciones en la hoja incluida con la unidad.
4. Use las siguientes unidades: 235046 delantero derecho, 235047 delantero izquierdo, 235606 trasero.

FORD THUNDERBIRD SUPER COUPE 1989-96 con PRC (Control Electrónico de Rodaje)

Este sistema no puede ser sustituido sin antes hacerle modificaciones extensas al vehículo. KYB recomienda que no se remueva.

FORD THUNDERBIRD TURBO COUPE 1987-88 con PRC (Control Electrónico de Rodaje)

1. Remueva los struts delanteros y los activadores del amortiguador traseros
2. Desconecte el módulo del PRC localizado en el baúl detrás del asiento trasero
3. Remueva e instale los strut y amortiguadores según las instrucciones en la hoja incluida con la unidad.
4. Use las siguientes unidades: 235008 delanteros, KG5556 trasero.

MAZDA MX6 GT 1988-92 con AAS (Suspensión Autoajustable)

1. Remueva los "strut actuators".
2. Desconecte el módulo del AAS localizado en el baúl del vehículo.
3. Remueva e instale los struts según las instrucciones en la hoja incluida con la unidad.
4. Use las siguientes unidades: 235046 delantero derecho, 235047 delantero izquierdo, 235606 trasero.

MAZDA RX7 TURBO 1989-92 & MAZDA RX7 GXL 1986-88 con AAS (Suspensión Autoajustable)

1. Remueva los activadores de struts y del amortiguador trasero.
2. Desconecte el módulo del AAS localizado en el baúl del vehículo.
3. Remueva e instale los strut y amortiguadores según las instrucciones en la hoja incluida con la unidad.
4. Use las siguientes unidades: 235012 delantero derecho, 235013 delantero izquierdo, KG9132 trasero.

MAZDA 323 1986-89 con ASA (Amortiguadores Ajustables)

1. Remueva los "strut actuators".
2. Desconecte el interruptor de control detrás del clash.
3. Remueva e instale los struts según las instrucciones en la hoja incluida con la unidad.
4. Use las siguientes unidades: 234008 delantero derecho, 234009 delantero izquierdo, 232011 trasero derecho, 232012 trasero izquierdo
5. Nota: La base de los amortiguadores delanteros debe ser reemplazada con unidades originales.

MAZDA 626 1988-92 con AAS (Suspensión Autoajustable)

1. Remueva los "strut actuators".
2. Desconecte el módulo del AAS localizado en el baúl del vehículo.
3. Remueva e instale los struts según las instrucciones en la hoja incluida con la unidad.
4. Use las siguientes unidades: 235046 delantero derecho, 235047 delantero izquierdo, 235606 trasero.

MAZDA 626 1983-87 - with AAS (Suspensión Auto Ajustable)

1. Remueva activadores de Srut.
2. Desenchufe modulo AAS localizado dentro del vaul.
3. Remueva y instale struts de acuerdo a hoja de instrucciones con unidades.
4. Use las siguientes unidades: 233007 (RF), 233008 (LF) 234050 (Rear)

MERCURY COUGAR XR7 1987-88 with PRC (Control de Viaje Programado)

1. Remueva activadores de struts y amortiguadores.
2. Desenchufe modulo PRC localizado dentro del vaul detras de asiento trasero.
3. Remueva y instale struts segun instrucciones con unidades.
4. Use las siguientes unidades: 235008 (Delantera) KG5556 (Trasera)

MERCURY COUGAR XR7 1989-96 with PRC (Control de Viaje Programado)

Este systema no se puede reemplazar sin una modificacion muy extensa. KYB no recomienda removerlo.

MITSUBISHI 3000GT 1991-99 with ECS (Suspensión Controlada Electrónica)

1. Remueva activadores de struts delanteros y amortiguadores traseros.
2. Desenchufe modulo de control localizado en lado derecho de panel trasero.
3. Remueva y instale struts de acuerdo a hoja de instrucciones con unidades.
4. Use las siguientes unidades: 335013 Delantera, 341184 Trasera (2WD) o 341185 Trasera (4WD)

MITSUBISHI MONTERO 1992-96 with VSA (Amortiguadores Variables)

1. Remueva activadores de amortiguador.
2. Desenchufe modulo de control localizado en panel izquierdo trasero.
3. Remueva y instale struts de acuerdo a hoja de instrucciones con unidades.
4. Use las siguientes unidades: KG54302 Delantera, KG54303 Trasera.

NISSAN 300ZX 1984-89 with ECVSA (Amortiguador Variable Controlado Electrónicamente)

1. Remueva activadores de struts y amortiguadores.
2. Desenchufe control modulo ECVSA. Instrucciones en Kit 108A.
3. Remueva y instale cartuchos y amortiguadores segun instrucciones indicaciones dentro del Kit 108A.
4. Use las siguientes unidades: 365056 Delantera, KG 5787A Trasera.
5. NOTA: Conversion Kit de conversion 108A es necesario para convertir todo el vehiculo. Las gomas de proteccion de los amortiguadores traseros originales no son reuseables.

NISSAN 300ZX 1990-95 with ECVSA (Amortiguador Variable Controlado Electrónicamente)

1. Remueva activadores de amortiguadores.
2. Desenchufe modulo de control ECVSA.
3. Remueva y instale struts de acuerdo a hoja de instrucciones incluidas con unidades.
4. Lime / taladre un hueco redondo (1/2" e.d.) en el insulador superior del amortiguador delantero.
5. Lime / taladre avierto (7/16" e.d.) el separador del calso superior del amortiguador trasero.

6. Use las siguientes unidades: 341149 Delantera Der, 341150 Delantera Izquierda, 341151 Trasera.

NISSAN MAXIMA 1989-94 con Suspensión Nissan Sonar II

1. Remueva activadores de Srut.
2. Desenchufe modulo NSS localizado dentro de la consola.
3. Remueva y instale struts de acuerdo a hoja de instrucciones con unidades.
4. Use las siguientes unidades: 235051 Delantera Derecha, 235052 Delantera Izquierda, 365079 Trasera.

NISSAN MAXIMA 1985 with ECVSA (Amortiguador Variable Controlado Electrónicamente)

1. Remueva activadores de Srut.
2. Desenchufe modulo ECVSA localizado dentro del vaul.
3. Remueva y instale struts de acuerdo a hoja de instrucciones con unidades.
4. Reemplaze monturas de struts delanteras con KYB #SM 5065 y el plato de muelle superior, plato de movimiento, y el cubre torre del strut con el No. de pieza Nissan: 54040-05E00, 54043-01E00, 54380-05E00 dos de cada una de las cuatro piezas.
5. Use las siguientes unidades: 235030 Delantera Derecha, 235031 Delantera Izquierda, y 365080 Trasera.

NISSAN MAXIMA 1986-88 with ECVSA (Amortiguador Variable Controlado Electrónicamente)

1. Remueva activadores de Srut.
2. Desenchufe modulo ECVSA localizado dentro del vaul.
3. Remueva y instale struts segun instrucciones con unidades.
4. Reemplaze monturas de struts delanteras con KYB #SM 5065 y el plato de muelle superior, plato de movimiento, y el cubre torre del strut con el No. de pieza Nissan: 54040-05E00, 54043-01E00, 54380-05E00 dos de cada una de las cuatro piezas.
5. Use las siguientes unidades: 235019 Delantera Derecha, 235020 Delantera Izquierda, y 365080 Trasera.

NISSAN PATHFINDER 1987-95 with ASA (Amortiguador Ajustable)

1. Remueva activadores de Srut.
2. Desenchufe suiche de control localizado dentro de la consola.
3. Remueva y instale struts de acuerdo a hoja de instrucciones con unidades.
4. Use las siguientes unidades: KG5476 Delanteras, KG5438 Trasera

TOYOTA CRESSIDA 1986-88 with TEMS (Suspensión Electrónica Modulada Toyota)

1. Remueva activadores de Srut.
2. Desenchufe modulo TEMS localizado en lado derecho de panel trasero.
3. Remueva y instale struts de acuerdo a hoja de instrucciones con unidades.
4. Use las siguientes unidades: N/A Front, 343042 Rear.

TOYOTA SUPRA MAR. 1986-91 with TEMS (Suspensión Electrónica Modulada Toyota)

1. Remueva activadores de Srut.
2. Desenchufe modulo TEMS localizado debajo de dash.
3. Remueva y instale struts segun hoja de instrucciones con unidades.
4. Use las siguientes unidades: 341069 Delantera, 341070 Trasera.