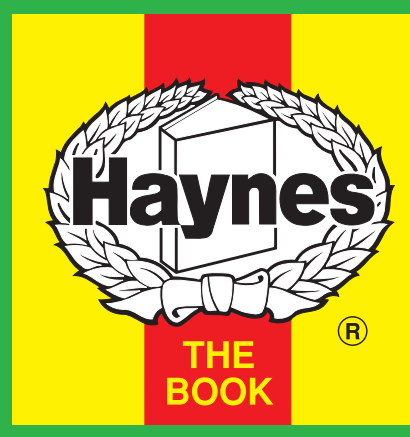


Engine & Cooling	Fuel	Ignition	Electrical	Running gear	Torque settings	Capacities	Notes & Illustrations
------------------	------	----------	------------	--------------	-----------------	------------	-----------------------



# Automotive Technical DATA BOOK

Click on one of the buttons above to view data for this car. To return to this screen and make another choice, click anywhere on the data screen.

**MENU**      **HELP**

### Engine and cooling system Polonez 1500    1984 to 1992

Type		AB OHV
Capacity (cm <sup>3</sup> ) / number of cylinders		1481 / 4
Compression ratio / pressure	bar	9.2 / ≥10.3
Oil pressure	bar	[3.5 to 4.9]
Oil temperature	°C	100
Valve clearance - inlet	mm	0.20
Valve clearance - exhaust	mm	0.25
Firing order		1-3-4-2
No 1 cylinder position		F
Thermostat opening temperature	°C	80 to 84
Radiator cap pressure	bar	0.8±0.1

### Fuel system Polonez 1500    1984 to 1992

Idle speed - manual [auto]	rpm	800 to 850
Fast idle speed - manual [auto]	rpm	—
CO @ idle speed [3000 rpm] - see page VI	%	1.0 to 2.0
HC @ idle speed [3000 rpm] - see page VI	ppm	≤1200
CO <sub>2</sub> @ idle speed [3000 rpm] - see page VI	%	—
O <sub>2</sub> @ idle speed [3000 rpm] - see page VI	%	—
Carburettor / fuel injection		Weber/FOS
Type / ref		W: 34 DCMP. FOS: 34S2C2 / C12
Main jet / needle		W: 120, 155. FOS: 117, 140 <sup>1</sup>
Injection pressure	bar	—
Pump pressure	bar	0.20 to 0.30
Octane rating	RON	98[L] <sup>2</sup>

### Ignition system Polonez 1500    1984 to 1992

Type		Electronic
Ignition coil		Zelmat
Primary resistance	ohms	0.75 to 0.81
Ballast resistor	ohms	—
Voltage - Tmnl 15(+) to earth	V	—
Distributor		Zelmat
Points gap (air gap)	mm	[0.30 to 0.40]
Dwell angle	° (%)	—
Condenser capacity	µF	—
Rotation		Clockwise
Ignition timing - basic [static	° Crankshaft @ rpm	5 BTDC @ 800
V = Vacuum    NV = No Vacuum		NV
Total ignition advance	° Crankshaft @ rpm	—
Centrifugal check.	° Crankshaft @ rpm	—
Vacuum range check	mbar	51 to 406
Maximum vacuum advance	° Crankshaft	10±2
Spark plugs		Nippon Denso/Champion
Type		W20EXU / N9YC
Electrode gap	mm	0.90 to 1.00

### Electrical system Polonez 1500    1984 to 1992

Battery	V / CC / RC	12 / 45Ah
Alternator voltage / full load current / engine rpm		13.9 to 14.5 / 44 / 3000
Starter motor current / voltage - cranking	A / V	—
- locked	A / V	540 / 6.7

### Running gear Polonez 1500    1984 to 1992

<b>Brakes -</b>		
Front (min. friction material thickness)	mm	1.5
Rear (min. friction material thickness)	mm	1.5

<b>Tyres</b>		
Saloon	Size	175x13
Estate / Van	Size	—
Pressure - front / rear - Saloon	bar	1.8 / 1.9
- Estate / Van	bar	—

### Front suspension / wheel alignment

Toe-in (+) / Toe-out (-)	mm [°]	+3.0±1.0
Camber		+30'±30'
Castor		+4°30'±30'
King pin inclination		+6°±20'

### Rear suspension / wheel alignment

Toe-in (+) / Toe-out (-)	mm [°]	—
Camber		—

### Torque wrench settings Polonez 1500    1984 to 1992

Cylinder head - stage 1	Nm	98
- stage 2	Nm	—
Cylinder head - stage 3	Nm	—
- stage 4	Nm	—
Big-end bearings	Nm	70
Main bearings	Nm	103
Clutch cover	Nm	30
Flywheel [driveplate]	Nm	79
Front hubs	Nm	WSM
Rear hubs	Nm	—
Wheel nuts / bolts	Nm	86
Spark plugs	Nm	25 to 30

### Capacities Polonez 1500    1984 to 1992

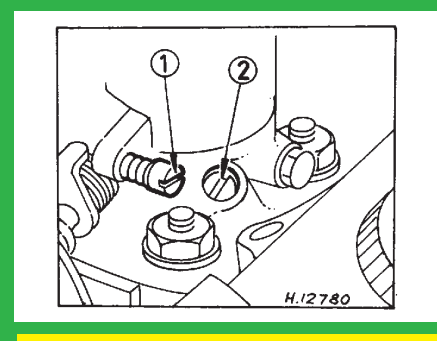
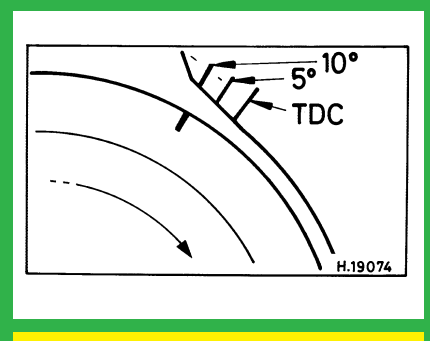
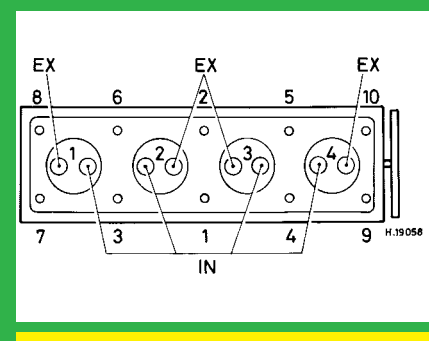
Engine oil & filter	litres	4.0
Gearbox - 4-speed [5-speed]	litres	1.6
Automatic transmission - refill	litres	—
Final drive	litres	1.2
Cooling system	litres	7.5
Fuel tank	litres	45

### Notes and Illustrations

<sup>1</sup>34S2C12: 115, 140

<sup>2</sup>1989 ▶: [E 95 RON]

1: Idle speed      2: CO / Mixture



1481 cm<sup>3</sup>

1481 cm<sup>3</sup>

Weber / FOS