

Engine & Cooling	Fuel	Ignition	Electrical	Running gear	Torque settings	Capacities	Notes & Illustrations
------------------	------	----------	------------	--------------	-----------------	------------	-----------------------



Automotive Technical DATA BOOK

Click on one of the buttons above to view data for this car. To return to this screen and make another choice, click anywhere on the data screen.

MENU

HELP

Engine and cooling system 90 & 110, 2.5 1985 to 1990

Type		OHV
Capacity (cm ³) / number of cylinders		2495 / 4
Compression ratio / pressure	bar	8.0 / 11.0
Oil pressure	bar	[2.4 to 4.5]
Oil temperature	°C	80
Valve clearance - inlet	mm	0.25 H
Valve clearance - exhaust	mm	0.25 H
Firing order		1-3-4-2
No 1 cylinder position		F
Thermostat opening temperature	°C	82
Radiator cap pressure	bar	0.62

Fuel system 90 & 110, 2.5 1985 to 1990

Idle speed - manual [auto]	rpm	600 to 700
Fast idle speed - manual [auto]	rpm	—
CO @ idle speed [3000 rpm] - see page VI	%	0.5 to 2.0
HC @ idle speed [3000 rpm] - see page VI	ppm	≤1200
CO ₂ @ idle speed [3000 rpm] - see page VI	%	—
O ₂ @ idle speed [3000 rpm] - see page VI	%	—
Carburettor / fuel injection		Weber
Type / ref		32-34 DMTL
Main jet / needle		112, 112
Injection pressure	bar	—
Pump pressure	bar	0.10 to 0.17
Octane rating	RON	92[L]

Ignition system 90 & 110, 2.5 1985 to 1990

Type		Contact breaker - CIS
Ignition coil		Bosch 0 221 119 368
Primary resistance	ohms	2.9
Ballast resistor	ohms	—
Voltage - Tmnl 15(+) to earth	V	—
Distributor		Lucas
Points gap (air gap)	mm	0.36 to 0.40
Dwell angle	° (%)	49 to 59
Condenser capacity	µF	0.2
Rotation		Anticlockwise
Ignition timing - basic [static	° Crankshaft @ rpm	[TDC]
V = Vacuum NV = No Vacuum		V
Total ignition advance	° Crankshaft @ rpm	16 BTDC @ 2000
	° Crankshaft @ rpm	—
	° Crankshaft @ rpm	—
Centrifugal check.	° Crankshaft @ rpm	0 @ 1000
	° Crankshaft @ rpm	—
	° Crankshaft @ rpm	36 to 42 @ 4500
Vacuum range check	mbar	119 to 846
Maximum vacuum advance	° Crankshaft	11 to 13
Spark plugs		Unipart/Champion
Type		GSP151 / RN9YCC
Electrode gap	mm	0.75 to 0.80

Electrical system 90 & 110, 2.5 1985 to 1990

Battery	V / CC / RC	12 / 60Ah
Alternator voltage / full load current / engine rpm		13.6 to 14.4 / _ / 3000
Starter motor current / voltage - cranking	A / V	—
- locked	A / V	—

Running gear 90 & 110, 2.5 1985 to 1990

Brakes -		
Front (min. friction material thickness)	mm	—
Rear (min. friction material thickness)	mm	—

Tyres		
Saloon	Size	—
Estate / Van	Size	6.00x16: 7.50x16: 205x16
Pressure - front / rear - Saloon	bar	—
- Estate / Van	bar	WSM

Front suspension / wheel alignment

Toe-in (+) / Toe-out (-)	mm [°]	+1.2 to 2.4 ¹
Camber		0
Castor		+3°
King pin inclination		+7°

Rear suspension / wheel alignment

Toe-in (+) / Toe-out (-)	mm [°]	—
Camber		—

Torque wrench settings 90 & 110, 2.5 1985 to 1990

Cylinder head - stage 1	Nm	91 to 113
- stage 2	Nm	—
Cylinder head - stage 3	Nm	—
- stage 4	Nm	—
Big-end bearings	Nm	34 to 46
Main bearings	Nm	130 to 136
Clutch cover	Nm	30 to 38
Flywheel [driveplate]	Nm	130 to 143
Front hubs	Nm	—
Rear hubs	Nm	—
Wheel nuts / bolts	Nm	108
Spark plugs	Nm	14 to 19

Capacities 90 & 110, 2.5 1985 to 1990

Engine oil & filter	litres	6.9
Gearbox - 4-speed [5-speed]	litres	2.2 ²
Automatic transmission - refill	litres	—
Final drive	litres	1.7 ³
Cooling system	litres	11.0
Fuel tank	litres	79.5 ⁴

Notes and Illustrations

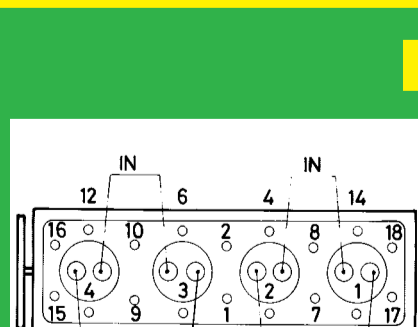
¹Permanent 4 wheel drive: -1.2 to -2.4

²Transfer box: 2.8

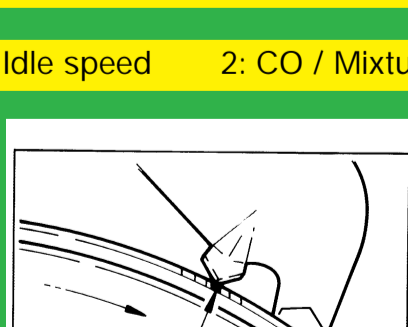
³Rear, 90: 1.7. 110: 2.3

⁴Rear tank only. Side tank: 68.2. Station Wagon side tank: 45.5. 90: 54.5

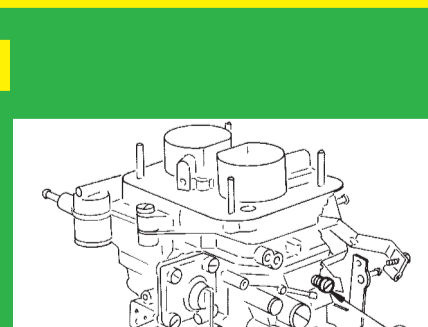
1: Idle speed 2: CO / Mixture



2495 cm³



2495 cm³



Weber 32-34 DMTL