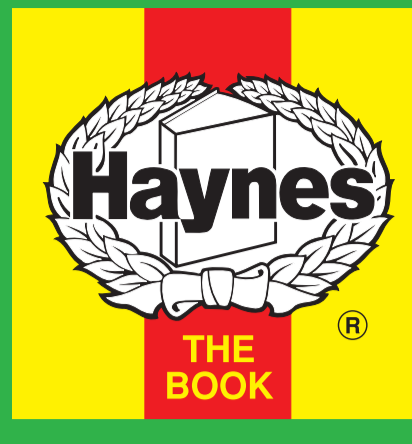


Engine & Cooling   Fuel   Ignition   Electrical   Running gear   Torque settings   Capacities   Notes & Illustrations



# Automotive Technical DATA BOOK

Click on one of the buttons above to view data for this car. To return to this screen and make another choice, click anywhere on the data screen.

MENU

HELP

## Engine and cooling system 90 & 110, V8 1985 to 1990

Type	V8 OHV
Capacity (cm <sup>3</sup> ) / number of cylinders	3528 / 8
Compression ratio / pressure	bar 8.13 / ≥9.3
Oil pressure	bar [2.1 to 2.8]
Oil temperature	°C 80
Valve clearance - inlet	mm 0: Hyd.
Valve clearance - exhaust	mm 0: Hyd.
Firing order	1-8-4-3-6-5-7-2
No 1 cylinder position	FL
Thermostat opening temperature	°C 82
Radiator cap pressure	bar 1.0

## Fuel system 90 & 110, V8 1985 to 1990

Idle speed - manual [auto]	rpm 700 to 750
Fast idle speed - manual [auto]	rpm 1050 to 1150
CO @ idle speed [3000 rpm] - see page VI	% 1.5 to 3.0
HC @ idle speed [3000 rpm] - see page VI	ppm ≤1200
CO <sub>2</sub> @ idle speed [3000 rpm] - see page VI	% -
O <sub>2</sub> @ idle speed [3000 rpm] - see page VI	% -
Carburettor / fuel injection	Zenith-Stromberg
Type / ref	2x 175 CDSE
Main jet / needle	_ / B1FK
Injection pressure	bar -
Pump pressure	bar 0.31
Octane rating	RON 90[E 91 RON]

## Ignition system 90 & 110, V8 1985 to 1990

Type	Electronic
Ignition coil	AC Delco.
Primary resistance	ohms 1.2 to 1.4
Ballast resistor	ohms -
Voltage - Tmnl 15(+) to earth	V 7.0
Distributor	Lucas
Points gap (air gap)	mm [0.20 to 0.35]
Dwell angle	° (%) -
Condenser capacity	µF -
Rotation	Clockwise
Ignition timing - basic [static	° Crankshaft @ rpm 6±1 BTDC @ 700
V = Vacuum NV = No Vacuum	V
Total ignition advance	° Crankshaft @ rpm -
	° Crankshaft @ rpm -
	° Crankshaft @ rpm -
Centrifugal check.	° Crankshaft @ rpm 2 to 4 @ 750
	° Crankshaft @ rpm -
	° Crankshaft @ rpm 12 to 14 @ 2300
Vacuum range check	mbar 339 to 677
Maximum vacuum advance	° Crankshaft 5 to 7
Spark plugs	Unipart/Champion
Type	GSP131 / RN9YCC
Electrode gap	mm 0.70 to 0.84

## Electrical system 90 & 110, V8 1985 to 1990

Battery	V / CC / RC	12 / 55Ah
Alternator voltage / full load current / engine rpm		13.6 to 14.4 / _ / 3000
Starter motor current / voltage - cranking	A / V	-
- locked	A / V	-

## Running gear 90 & 110, V8 1985 to 1990

Brakes -		
Front (min. friction material thickness)	mm	-
Rear (min. friction material thickness)	mm	-

Tyres		
Saloon	Size	-
Estate / Van	Size	600x16: 205x16: 750x16
Pressure - front / rear - Saloon	bar	-
- Estate / Van	bar	WSM

## Front suspension / wheel alignment

Toe-in (+) / Toe-out (-)	mm [°]	+1.2 to 2.4 <sup>1</sup>
Camber		0
Castor		+3°
King pin inclination		+7°

## Rear suspension / wheel alignment

Toe-in (+) / Toe-out (-)	mm [°]	-
Camber		-

## Torque wrench settings 90 & 110, V8 1985 to 1990

Cylinder head - stage 1	Nm	No 1 to 10: 88 to 95
- stage 2	Nm	No11 to 14: 54 to 61
Cylinder head - stage 3	Nm	-
- stage 4	Nm	-
Big-end bearings	Nm	47 to 54
Main bearings	Nm	68 to 75 <sup>2</sup>
Clutch cover	Nm	27
Flywheel [driveplate]	Nm	74 to 81
Front hubs	Nm	-
Rear hubs	Nm	-
Wheel nuts / bolts	Nm	108
Spark plugs	Nm	16

## Capacities 90 & 110, V8 1985 to 1990

Engine oil & filter	litres	5.7
Gearbox - 4-speed [5-speed]	litres	2.2 <sup>3</sup>
Automatic transmission - refill	litres	-
Final drive	litres	1.7 <sup>4</sup>
Cooling system	litres	12.8
Fuel tank	litres	79.5 <sup>5</sup>

## Notes and Illustrations

<sup>1</sup>Permanent 4 wheel drive: -1.2 to -2.4

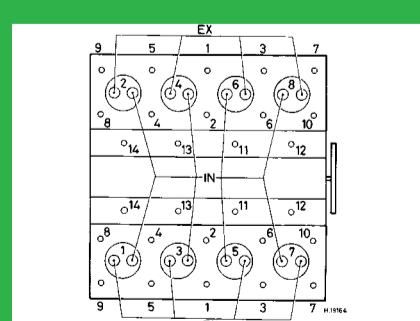
<sup>2</sup>Rear bearing: 88 to 95

<sup>3</sup>Transfer box: 2.8

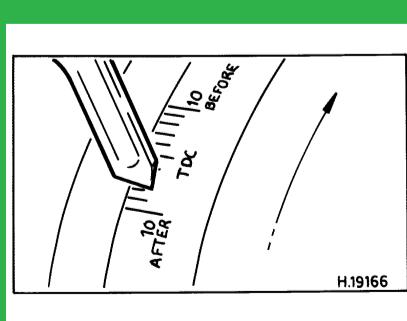
<sup>4</sup>Rear, 90: 1.7. 110: 2.3

<sup>5</sup>Rear tank only. Side tank: 68.2. Station Wagon side tank: 45.5. 90: 54.5

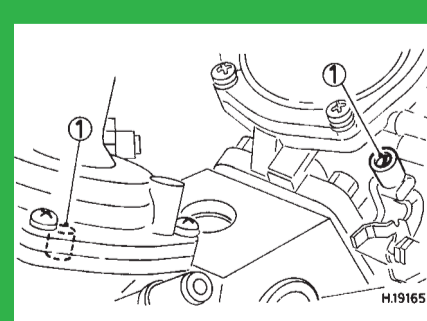
1: Idle speed    2: CO / Mixture



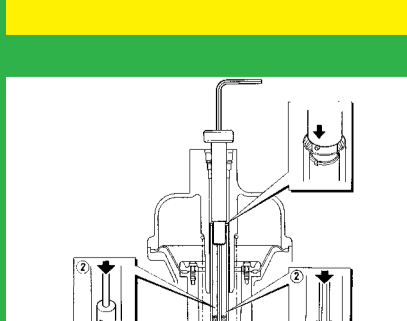
3528 cm<sup>3</sup>



3528 cm<sup>3</sup>



Zenith-Stromberg



Zenith-Stromberg