

Engine & Cooling	Fuel	Ignition	Electrical	Running gear	Torque settings	Capacities	Notes & Illustrations
------------------	------	----------	------------	--------------	-----------------	------------	-----------------------



Automotive Technical DATA BOOK

Click on one of the buttons above to view data for this car. To return to this screen and make another choice, click anywhere on the data screen.

MENU

HELP

Engine and cooling system Silvia Turbo ZX (S12) 1984 to 1990

Type		CA18ET SOHC
Capacity (cm ³) / number of cylinders		1809 / 4
Compression ratio / pressure	bar	8.0 / ≥8.8
Oil pressure	bar	[3.2 to 5.1]
Oil temperature	°C	-
Valve clearance - inlet	mm	0.30 H
Valve clearance - exhaust	mm	0.30 H
Firing order		1-3-4-2
No 1 cylinder position		TBE
Thermostat opening temperature	°C	82
Radiator cap pressure	bar	0.90

Fuel system Silvia Turbo ZX (S12) 1984 to 1990

Idle speed - manual [auto]	rpm	750±100 [850±100]
Fast idle speed - manual [auto]	rpm	-
CO @ idle speed [3000 rpm] - see page VI	%	≤2.0
HC @ idle speed [3000 rpm] - see page VI	ppm	≤1200
CO ₂ @ idle speed [3000 rpm] - see page VI	%	-
O ₂ @ idle speed [3000 rpm] - see page VI	%	-
Carburettor / fuel injection		Nissan
Type / ref		ECCS (EFI) + Turbo
Main jet / needle		-
Injection pressure	bar	2.6
Pump pressure	bar	2.9 to 4.4
Octane rating	RON	97[L]

Ignition system Silvia Turbo ZX (S12) 1984 to 1990

Type		Computerized
Ignition coil		Hitachi CM1T-201
Primary resistance	ohms	0.8 to 1.0
Ballast resistor	ohms	-
Voltage - Tmnl 15(+) to earth	V	-
Distributor		Hitachi
Points gap (air gap)	mm	-
Dwell angle	° (%)	Computer control
Condenser capacity	µF	-
Rotation		Anticlockwise
Ignition timing - basic [static	° Crankshaft @ rpm	15±1 BTDC @ idle
V = Vacuum NV = No Vacuum		NV
Total ignition advance	° Crankshaft @ rpm	-
	° Crankshaft @ rpm	-
	° Crankshaft @ rpm	-
Centrifugal check.	° Crankshaft @ rpm	Computer control
	° Crankshaft @ rpm	-
	° Crankshaft @ rpm	-
Vacuum range check	mbar	Computer control
Maximum vacuum advance	° Crankshaft	-
Spark plugs		NGK/Champion
Type		BCPR6ES-11 / RC7YC
Electrode gap	mm	1.00 to 1.10

Electrical system Silvia Turbo ZX (S12) 1984 to 1990

Battery	V / CC / RC	12 / 60Ah
Alternator voltage / full load current / engine rpm		14.4 to 15.0 / _ / 2500
Starter motor current / voltage - cranking	A / V	100 / 11 (no load)
- locked	A / V	-

Running gear Silvia Turbo ZX (S12) 1984 to 1990

Brakes -		
Front (min. friction material thickness)	mm	2.0
Rear (min. friction material thickness)	mm	2.0

Tyres		
Saloon	Size	195/60x15
Estate / Van	Size	-
Pressure - front / rear - Saloon	bar	1.9 / 1.9
- Estate / Van	bar	-

Front suspension / wheel alignment		
Toe-in (+) / Toe-out (-)	mm [°]	0 to +2.0
Camber		-25' to +1°5'
Castor		+2°45' to 4°15'
King pin inclination		+11°40' to 13°10'

Rear suspension / wheel alignment		
Toe-in (+) / Toe-out (-)	mm [°]	-2.0 to 0
Camber		-1°15' to +15'

Torque wrench settings Silvia Turbo ZX (S12) 1984 to 1990

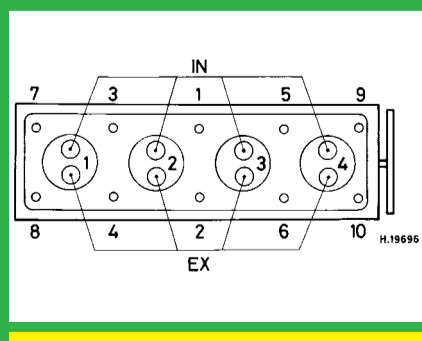
Cylinder head - stage 1	Nm	29
- stage 2	Nm	78, then loosen bolts
Cylinder head - stage 3	Nm	29
- stage 4	Nm	+ 90 to 95°
Big-end bearings	Nm	32 to 36
Main bearings	Nm	45 to 54
Clutch cover	Nm	18 to 22
Flywheel [driveplate]	Nm	98 to 108
Front hubs	Nm	WSM
Rear hubs	Nm	294 to 392
Wheel nuts / bolts	Nm	78 to 98
Spark plugs	Nm	20 to 29

Capacities Silvia Turbo ZX (S12) 1984 to 1990

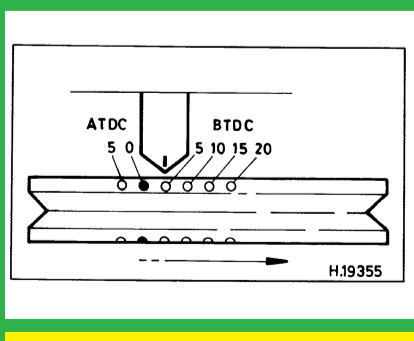
Engine oil & filter	litres	3.6
Gearbox - 4-speed [5-speed]	litres	2.0
Automatic transmission - refill	litres	7.0
Final drive	litres	1.3
Cooling system	litres	8.6
Fuel tank	litres	53

Notes and Illustrations

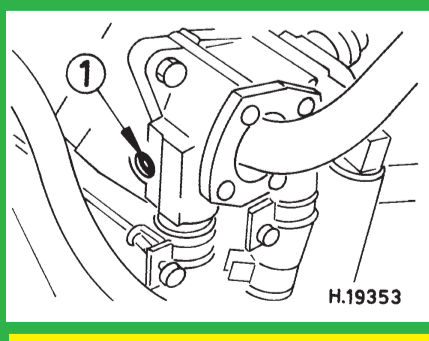
1: Idle speed 2: CO / Mixture



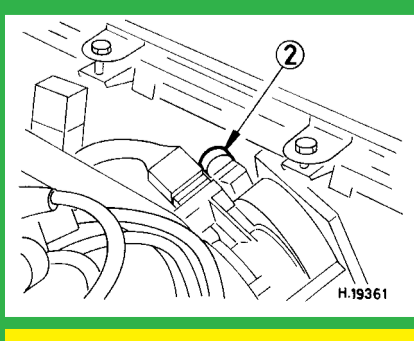
1809 cm³



1809 cm³



ECCS



ECCS