

Engine & Cooling	Fuel	Ignition	Electrical	Running gear	Torque settings	Capacities	Notes & Illustrations
------------------	------	----------	------------	--------------	-----------------	------------	-----------------------



# Automotive Technical DATA BOOK

Click on one of the buttons above to view data for this car. To return to this screen and make another choice, click anywhere on the data screen.

MENU

HELP

## Engine and cooling system 300 ZX (Z31) 1984 to 1990

Type		VG30E
Capacity (cm <sup>3</sup> ) / number of cylinders		2960 / 6
Compression ratio / pressure	bar	9.0 / ≥8.8
Oil pressure	bar	[2.9]
Oil temperature	°C	–
Valve clearance - inlet	mm	0: Hyd.
Valve clearance - exhaust	mm	0: Hyd.
Firing order		1-2-3-4-5-6
No 1 cylinder position		FR
Thermostat opening temperature	°C	82
Radiator cap pressure	bar	0.78 to 0.98

## Fuel system 300 ZX (Z31) 1984 to 1990

Idle speed - manual [auto]	rpm	900±50
Fast idle speed - manual [auto]	rpm	–
CO @ idle speed [3000 rpm] - see page VI	%	≤1.0
HC @ idle speed [3000 rpm] - see page VI	ppm	≤1200
CO <sub>2</sub> @ idle speed [3000 rpm] - see page VI	%	–
O <sub>2</sub> @ idle speed [3000 rpm] - see page VI	%	–
Carburettor / fuel injection		Nissan
Type / ref		ECCS (EFI)
Main jet / needle		–
Injection pressure	bar	2.1 @ idle
Pump pressure	bar	2.6
Octane rating	RON	97[R]

## Ignition system 300 ZX (Z31) 1984 to 1990

Type		Computerized
Ignition coil		Hitachi CM1T-201
Primary resistance	ohms	–
Ballast resistor	ohms	–
Voltage - Tmnl 15(+) to earth	V	–
Distributor		Hitachi
Points gap (air gap)	mm	[0.30 to 0.50]
Dwell angle	° (%)	–
Condenser capacity	µF	–
Rotation		Anticlockwise
Ignition timing - basic [static	° Crankshaft @ rpm	10±1 BTDC @ 900±50
V = Vacuum NV = No Vacuum		–
Total ignition advance	° Crankshaft @ rpm	–
	° Crankshaft @ rpm	–
	° Crankshaft @ rpm	–
Centrifugal check.	° Crankshaft @ rpm	Computer control
	° Crankshaft @ rpm	–
	° Crankshaft @ rpm	–
Vacuum range check	mbar	Computer control
Maximum vacuum advance	° Crankshaft	–
Spark plugs		NGK/Champion
Type		BCPR6ES-11 / RC7YC
Electrode gap	mm	1.00 to 1.10

## Electrical system 300 ZX (Z31) 1984 to 1990

Battery	V / CC / RC	12 / 55 or 60Ah
Alternator voltage / full load current / engine rpm		14.1 to 14.7 / _ / 2500
Starter motor current / voltage - cranking	A / V	100 / 11 (no load)
- locked	A / V	–

## Running gear 300 ZX (Z31) 1984 to 1990

<b>Brakes -</b>		
Front (min. friction material thickness)	mm	2.0
Rear (min. friction material thickness)	mm	2.0
<b>Tyres</b>		
Saloon	Size	210/60x390: 215/60x15
Estate / Van	Size	–
Pressure - front / rear - Saloon	bar	1.9 / 2.3
- Estate / Van	bar	–
<b>Front suspension / wheel alignment</b>		
Toe-in (+) / Toe-out (-)	mm [°]	+1.0 to 3.0
Camber		-35' to +55'
Castor		+5°50' to 7°20'
King pin inclination		+12°15' to 13°45'
<b>Rear suspension / wheel alignment</b>		
Toe-in (+) / Toe-out (-)	mm [°]	-1.5 to +2.5
Camber		-1°55' to -25'

## Torque wrench settings 300 ZX (Z31) 1984 to 1990

Cylinder head - stage 1	Nm	29
- stage 2	Nm	59, then loosen bolts
Cylinder head - stage 3	Nm	29
- stage 4	Nm	54 to 64 <sup>1</sup>
Big-end bearings	Nm	45 to 54
Main bearings	Nm	90 to 100
Clutch cover	Nm	22 to 29
Flywheel [driveplate]	Nm	98 to 108
Front hubs	Nm	25 to 34
Rear hubs	Nm	294 to 392
Wheel nuts / bolts	Nm	Steel: 78 to 98 <sup>2</sup>
Spark plugs	Nm	20 to 29

## Capacities 300 ZX (Z31) 1984 to 1990

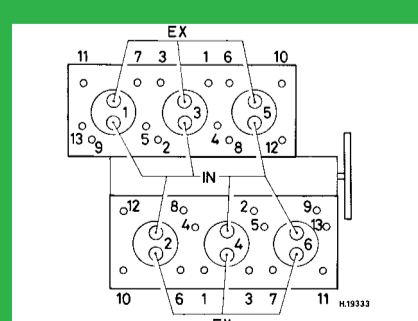
Engine oil & filter	litres	4.1
Gearbox - 4-speed [5-speed]	litres	2.0
Automatic transmission - refill	litres	7.0
Final drive	litres	2.1
Cooling system	litres	11.0
Fuel tank	litres	77

## Notes and Illustrations

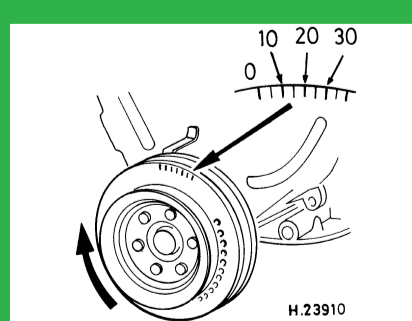
<sup>1</sup>OR + 60 to 65°

<sup>2</sup>Alloy: 98 to 118

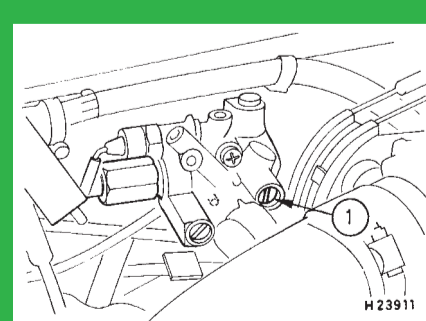
1: Idle speed 2: CO / Mixture



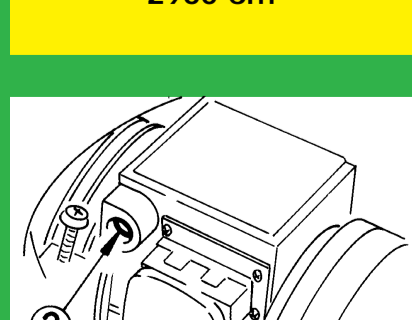
2960 cm<sup>3</sup>, 12V



2960 cm<sup>3</sup>



ECCS



ECCS