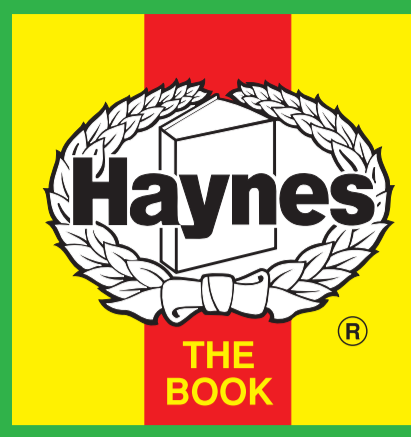


Engine & Cooling	Fuel	Ignition	Electrical	Running gear	Torque settings	Capacities	Notes & Illustrations
------------------	------	----------	------------	--------------	-----------------	------------	-----------------------



Automotive Technical DATA BOOK

Click on one of the buttons above to view data for this car. To return to this screen and make another choice, click anywhere on the data screen.

MENU

HELP

Engine and cooling system 740, 2.3i DOHC CAT 1989 to 1990

Type	B234F DOHC 16V. 114kW	
Capacity (cm ³) / number of cylinders	2316 / 4	
Compression ratio / pressure	bar	10.0 / ≥8.8
Oil pressure	bar	[2.5 to 6.0]
Oil temperature	°C	H
Valve clearance - inlet	mm	0: Hyd.
- exhaust	mm	0: Hyd.
Firing order	1-3-4-2	
No 1 cylinder position	TBE	
Thermostat opening temperature	°C	86 to 88 or 91 to 93
Radiator cap pressure	bar	1.5

Fuel system 740, 2.3i DOHC CAT 1989 to 1990

Idle speed - manual [auto]	rpm	850±50
Fast idle speed - manual [auto]	rpm	—
CO @ idle speed [3000 rpm] - see page VI	%	0.6±0.2 N/A
HC @ idle speed [3000 rpm] - see page VI	ppm	≤1200
CO ₂ @ idle speed [3000 rpm] - see page VI	%	—
O ₂ @ idle speed [3000 rpm] - see page VI	%	—
Carburettor / fuel injection	Bosch	
Type / ref	LH2.4-Jetronic	
Main jet / needle	—	
Injection pressure	bar	—
Pump pressure	bar	1.9 to 3.0
Octane rating	RON	95[U]

Ignition system 740, 2.3i DOHC CAT 1989 to 1990

Type	EZ 116K	
Ignition coil	Bosch	
Primary resistance	ohms	0.6 to 0.8
Ballast resistor	ohms	—
Voltage - Tmnl 15(+) to earth	V	—
Distributor	Bosch	
Points gap (air gap)	mm	—
Dwell angle	° (%)	—
Condenser capacity	µF	—
Rotation	Clockwise	
Ignition timing - basic [static	° Crankshaft @ rpm	15 BTDC @ 800 to 900
V = Vacuum NV = No Vacuum	NV	
Total ignition advance	° Crankshaft @ rpm	27 to 31 @ 2500
	° Crankshaft @ rpm	—
	° Crankshaft @ rpm	—
Centrifugal check.	° Crankshaft @ rpm	Computer control
	° Crankshaft @ rpm	—
	° Crankshaft @ rpm	—
Vacuum range check	mbar	Computer control
Maximum vacuum advance	° Crankshaft	—
Spark plugs	Bosch/Champion	
Type	WR6DC / RN7YC	
Electrode gap	mm	0.70 to 0.80

Electrical system 740, 2.3i DOHC CAT 1989 to 1990

Battery	V / CC / RC	12 / 450 / 90
Alternator voltage / full load current / engine rpm	13.8 to 14.6 / _ / 3000	
Starter motor current / voltage - cranking	A / V	1.1kW: 70 / 11.5 ¹
- locked	A / V	1.1kW: 480 to 560 / 7.4 ²

Running gear 740, 2.3i DOHC CAT 1989 to 1990

Brakes -		
Front (min. friction material thickness)	mm	3.0
Rear (min. friction material thickness)	mm	2.0

Tyres		
Saloon	Size	185/65x15
Estate / Van	Size	185/65x15
Pressure - front / rear - Saloon	bar	1.9 / 1.9
- Estate / Van	bar	1.9 / 2.1

Front suspension / wheel alignment

Toe-in (+) / Toe-out (-)	mm [°]	+3.5±1.0
Camber	-0.2° to +0.8°	
Castor	+4.5° to 5.5°	
King pin inclination	—	

Rear suspension / wheel alignment

Toe-in (+) / Toe-out (-)	mm [°]	+2.0±3.0
Camber	WSM	

Torque wrench settings 740, 2.3i DOHC CAT 1989 to 1990

Cylinder head - stage 1	Nm	20
- stage 2	Nm	40
- stage 3	Nm	+ 115°
- stage 4	Nm	—
Big-end bearings	Nm	20 + 90°
Main bearings	Nm	110
Clutch cover	Nm	—
Flywheel [driveplate]	Nm	70 N
Front hubs	Nm	100 + 45°
Rear hubs	Nm	WSM
Wheel nuts / bolts	Nm	85
Spark plugs	Nm	25

Capacities 740, 2.3i DOHC CAT 1989 to 1990

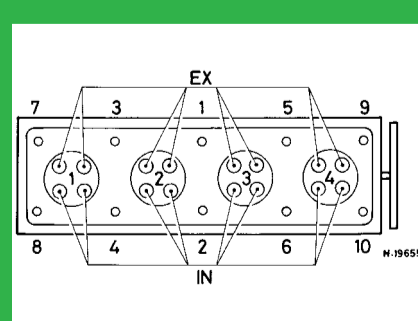
Engine oil & filter	litres	4.0
Gearbox - 4-speed [5-speed]	litres	1.6
Automatic transmission - refill	litres	3.9
Final drive	litres	1.6
Cooling system	litres	9.5
Fuel tank	litres	60

Notes and Illustrations

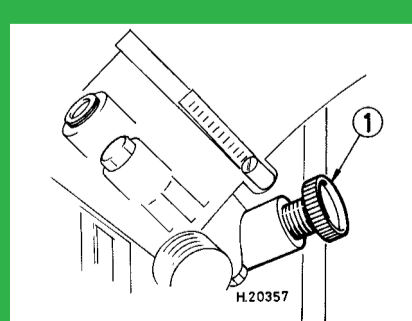
¹1.4kW: 75 / 11.5. 2kW: 65 to 95 / 11.5. Hitachi: 300 / 8.8

²1.4kW: 625 to 800 / 4.5. 2kW: 700 to 880 / 4.5. Hitachi: 880 / 3

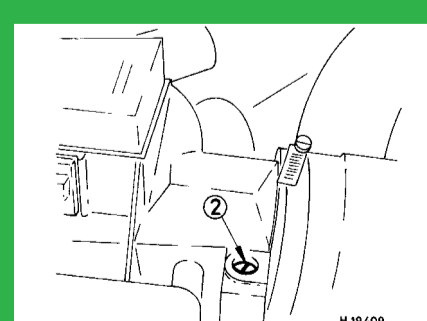
1: Idle speed 2: CO / Mixture



2316 cm³, 16V



LH2.4-Jetronic



LH2.4-Jetronic