

Engine & Cooling

Fuel

Ignition

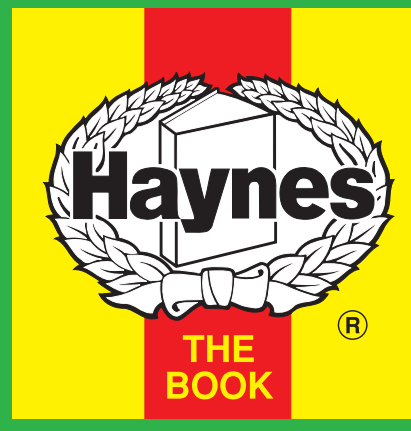
Electrical

Running gear

Torque settings

Capacities

Notes & Illustrations



Automotive Technical DATA BOOK

Click on one of the buttons above to view data for this car. To return to this screen and make another choice, click anywhere on the data screen.

MENU

HELP

Engine and cooling system 960 2.0 16V Turbo 1991 to 1994

Type		B204FT. DOHC 16V. 140kW
Capacity (cm ³) / number of cylinders		1986 / 4
Compression ratio / pressure	bar	8.2 / ≥8.8
Oil pressure	bar	[2.5 to 8.0]
Oil temperature	°C	80
Valve clearance - inlet	mm	0: Hyd.
- exhaust	mm	0: Hyd.
Firing order		1-3-4-2
No 1 cylinder position		TBE
Thermostat opening temperature	°C	87 to 97 or 92 to 102
Radiator cap pressure	bar	1.5

Fuel system 960 2.0 16V Turbo 1991 to 1994

Idle speed - manual [auto]	rpm	800±50 N/A
Fast idle speed - manual [auto]	rpm	—
CO @ idle speed [3000 rpm] - see page VI	%	0.4 to 0.8 N/A
HC @ idle speed [3000 rpm] - see page VI	ppm	≤200
CO ₂ @ idle speed [3000 rpm] - see page VI	%	—
O ₂ @ idle speed [3000 rpm] - see page VI	%	—
Carburettor / fuel injection		Bosch
Type / ref		LH2.4-Jetronic
Main jet / needle		—
Injection pressure	bar	2.9
Pump pressure	bar	1.9 to 3.0
Octane rating	RON	95[U]

Ignition system 960 2.0 16V Turbo 1991 to 1994

Type		EZ 116K
Ignition coil		Bosch
Primary resistance	ohms	0.6 to 0.9
Ballast resistor	ohms	—
Voltage - Tmnl 15(+) to earth	V	—
Distributor		Bosch
Points gap (air gap)	mm	—
Dwell angle	° (%)	—
Condenser capacity	µF	—
Rotation		Clockwise
Ignition timing - basic [static	° Crankshaft @ rpm	15 BTDC @ 800±50 N/A
V = Vacuum NV = No Vacuum		—
Total ignition advance	° Crankshaft @ rpm	Computer control
	° Crankshaft @ rpm	—
	° Crankshaft @ rpm	—
Centrifugal check.	° Crankshaft @ rpm	Computer control
	° Crankshaft @ rpm	—
	° Crankshaft @ rpm	—
Vacuum range check	mbar	Computer control
Maximum vacuum advance	° Crankshaft	—
Spark plugs		Bosch
Type		WR6DC
Electrode gap	mm	0.70 to 0.80

Electrical system 960 2.0 16V Turbo 1991 to 1994

Battery	V / CC / RC	12 / 450 / 90
Alternator voltage / full load current / engine rpm		13.8 to 14.6 / _ / 3000
Starter motor current / voltage - cranking	A / V	1.1kW: 70 / 11.5 ¹
- locked	A / V	1.1kW: 480 to 560 / 7.4 ²

Running gear 960 2.0 16V Turbo 1991 to 1994

Brakes -		
Front (min. friction material thickness)	mm	3.0
Rear (min. friction material thickness)	mm	2.0

Tyres		
Saloon	Size	195/60x15
Estate / Van	Size	195/60x15
Pressure - front / rear - Saloon	bar	1.9 / 1.9
- Estate / Van	bar	1.9 / 2.1

Front suspension / wheel alignment

Toe-in (+) / Toe-out (-)	mm [°]	[+18'±8']
Camber		0.1°±1°
Castor		+5°±1°
King pin inclination		—

Rear suspension / wheel alignment

Toe-in (+) / Toe-out (-)	mm [°]	—
Camber		—

Torque wrench settings 960 2.0 16V Turbo 1991 to 1994

Cylinder head - stage 1	Nm	20
- stage 2	Nm	40
- stage 3	Nm	+ 115°
- stage 4	Nm	—
Big-end bearings	Nm	20 + 90°
Main bearings	Nm	110
Clutch cover	Nm	—
Flywheel [driveplate]	Nm	70 N
Front hubs	Nm	100 + 45°
Rear hubs	Nm	WSM
Wheel nuts / bolts	Nm	85
Spark plugs	Nm	25

Capacities 960 2.0 16V Turbo 1991 to 1994

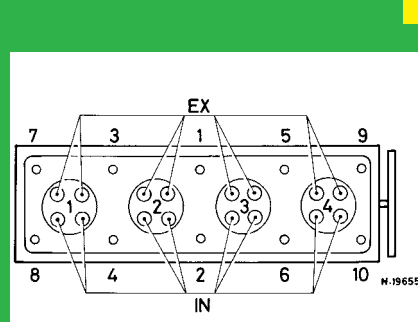
Engine oil & filter	litres	3.85. Oil cooler: +0.6
Gearbox - 4-speed [5-speed]	litres	2.3
Automatic transmission - refill	litres	—
Final drive	litres	1031: 1.75. 1041: 1.45
Cooling system	litres	9.5
Fuel tank	litres	80. 965: 60. 93 to 94: 75

Notes and Illustrations

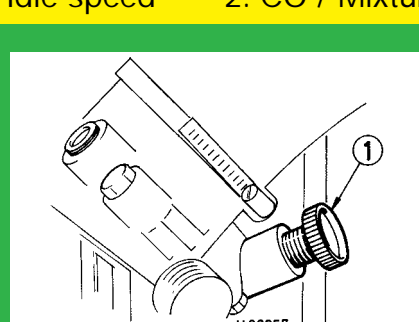
¹1.4kW: 75 / 11.5. 2kW: 65 to 95 / 11.5. Hitachi: 300 / 8.8

²1.4kW: 625 to 800 / 4.5. 2kW: 700 to 880 / 4.5. Hitachi: 880 / 3.0

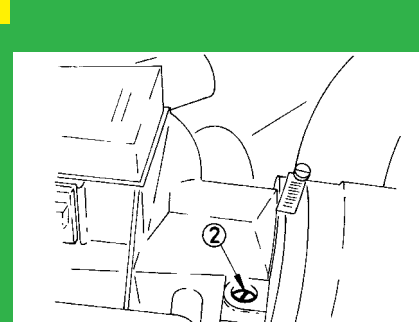
1: Idle speed 2: CO / Mixture



1986 cm³, 16V



LH2.4-Jetronic



LH2.4-Jetronic