

2007 Honda Element EX

2007-08 ACCESSORIES AND EQUIPMENT Horns - Element

2007-08 ACCESSORIES AND EQUIPMENT

Horns - Element

COMPONENT LOCATION INDEX

2007 Honda Element EX

2007-08 ACCESSORIES AND EQUIPMENT Horns - Element

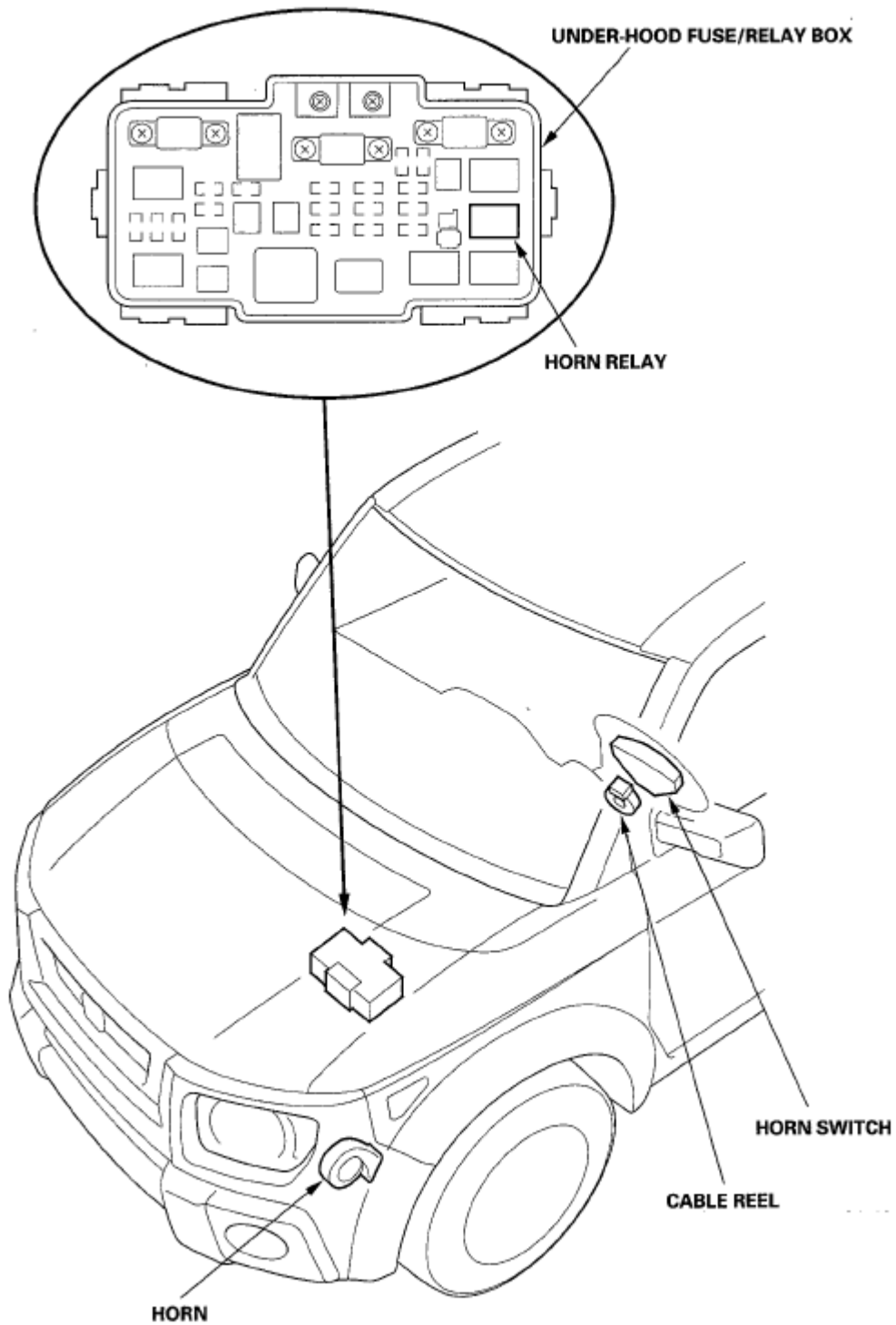


Fig. 1: Identifying Horn Components Location
Courtesy of AMERICAN HONDA MOTOR CO., INC.

CIRCUIT DIAGRAM

2007 Honda Element EX

2007-08 ACCESSORIES AND EQUIPMENT Horns - Element

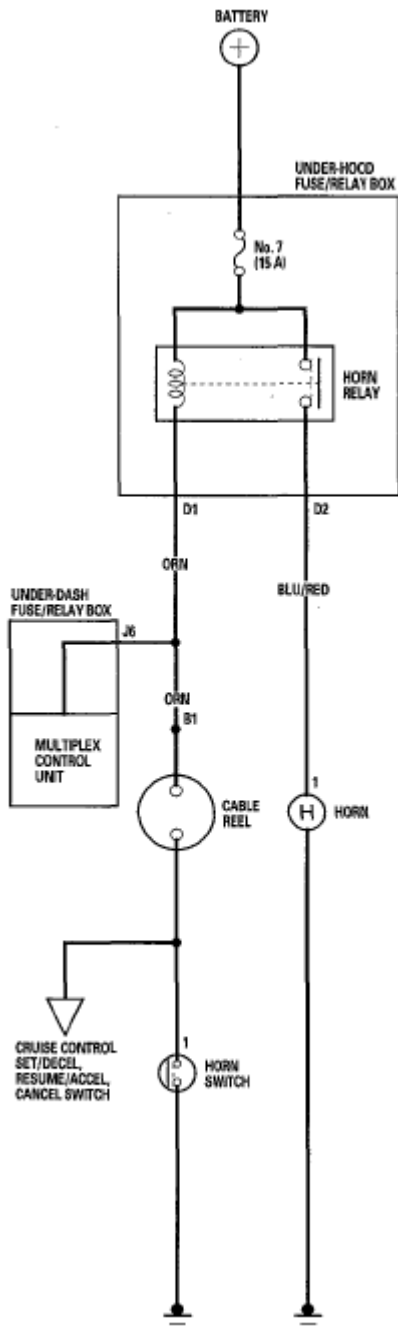


Fig. 2: Horn Circuit Diagram

Courtesy of AMERICAN HONDA MOTOR CO., INC.

HORN TEST/REPLACEMENT

1. Remove the left front inner fender (see **FRONT INNER FENDER REPLACEMENT**).
2. Disconnect the 1P connector (A), and remove the horn (B).

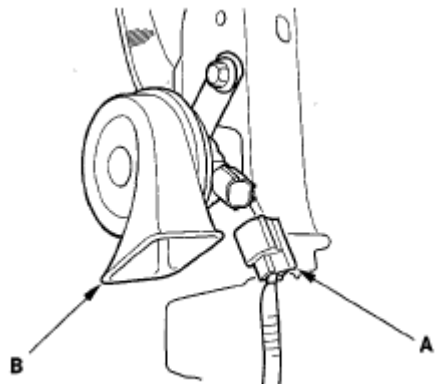


Fig. 3: Identifying Horn And Horn 1P Connector
Courtesy of AMERICAN HONDA MOTOR CO., INC.

3. Test the horn by connecting battery power to the terminal (A) and ground to the bracket (B). The horn should sound.

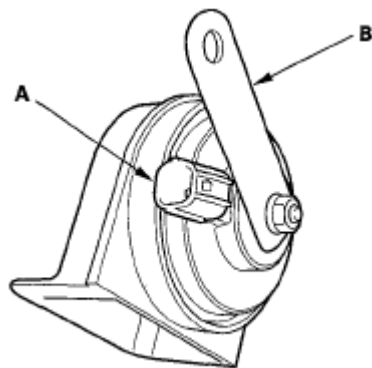


Fig. 4: Identifying Horn Terminal And Bracket
Courtesy of AMERICAN HONDA MOTOR CO., INC.

HORN SWITCH TEST

1. Remove the steering column covers (see **STEERING COLUMN REMOVAL AND INSTALLATION**).
2. Disconnect the dashboard wire harness B 5P connector (A) from the cable reel (B).

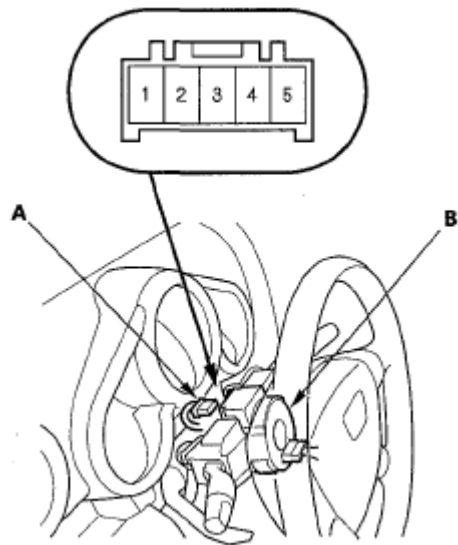


Fig. 5: Identifying Dashboard Wire Harness B 5P Connector Terminals
Courtesy of AMERICAN HONDA MOTOR CO., INC.

3. Using a jumper wire, connect the dashboard wire harness B 5P connector (A) No. 1 terminal to body ground.
 - If the horn sounds, go to step 4.
 - If the horn doesn't sound, check these items:
 - Horn relay.
 - No. 7 (15 A) fuse in the under-hood fuse/relay box.
 - Horn (see **HORN TEST/REPLACEMENT**).
 - An open in the wire.
4. Reconnect the dashboard wire harness B 5P connector (A), and disconnect the horn switch positive 1P connector (B).



Fig. 6: Identifying Dashboard Wire Harness B 5P Connector And Horn Switch Positive 1P Connector
Courtesy of AMERICAN HONDA MOTOR CO., INC.

2007 Honda Element EX

2007-08 ACCESSORIES AND EQUIPMENT Horns - Element

5. Using a jumper wire, connect the horn switch positive 1P connector to ground.
 - If the horn sounds, replace the horn switch plate.
 - If the horn does not sound, replace the cable reel.