

ELECTRICAL COMPONENT LOCATOR

1998 Mitsubishi Galant

1998 ELECTRICAL COMPONENT LOCATION
Mitsubishi - Electrical Components

Galant

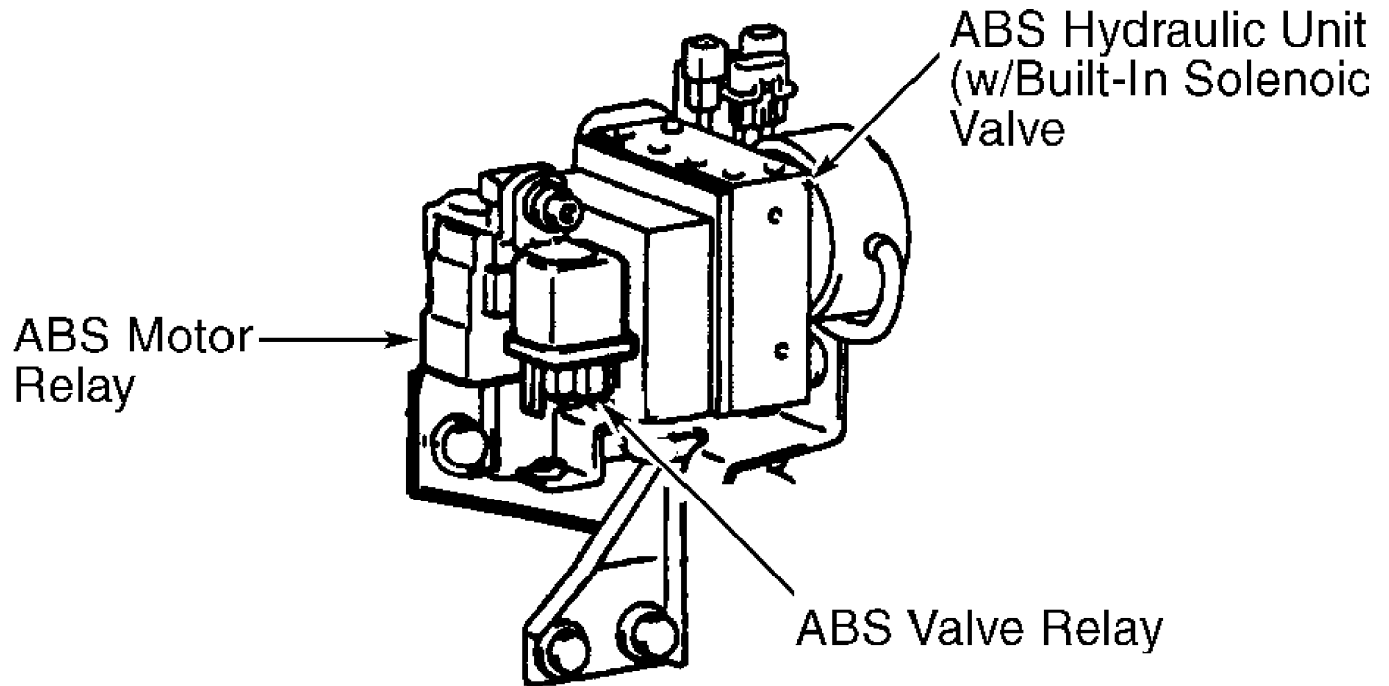
SAFETY PRECAUTION

WARNING: When working on vehicles equipped with Supplemental Restraint System (SRS), never apply electrical voltage to the system. This could cause the SRS (air bag) to be deployed.

BUZZERS, RELAYS & TIMERS

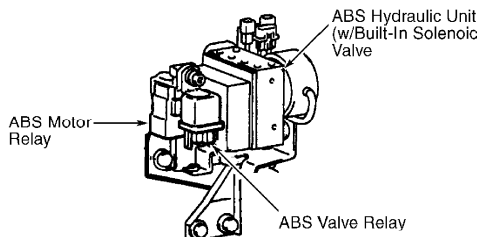
Component

Component Location



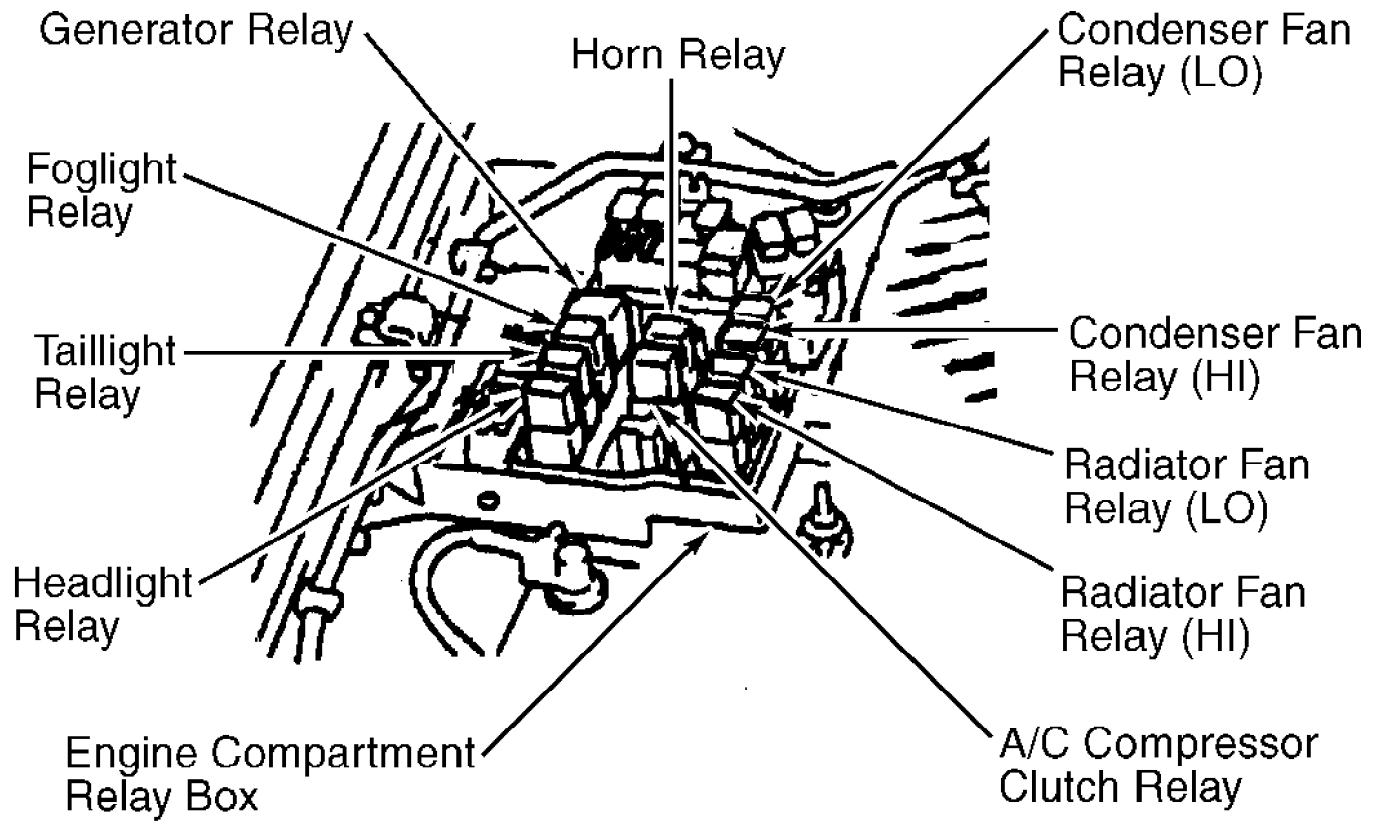
98B02325
ABS Motor Relay

On right rear corner of engine compartment, on ABS motor.



98B02325
ABS Valve Relay

On right rear corner of engine compartment, on ABS motor.



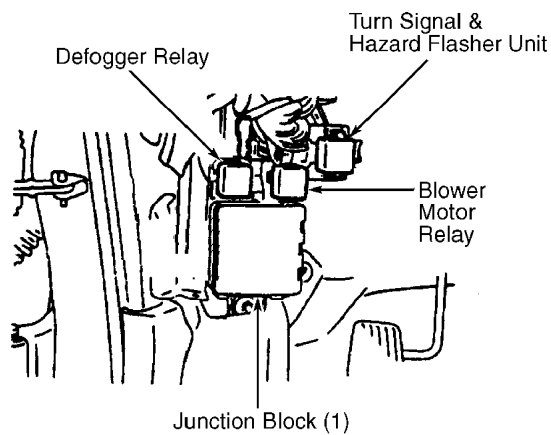
98G02323

A/C Compressor Clutch Relay

On engine compartment relay box, on right inner fender panel.

Blower Height Relay

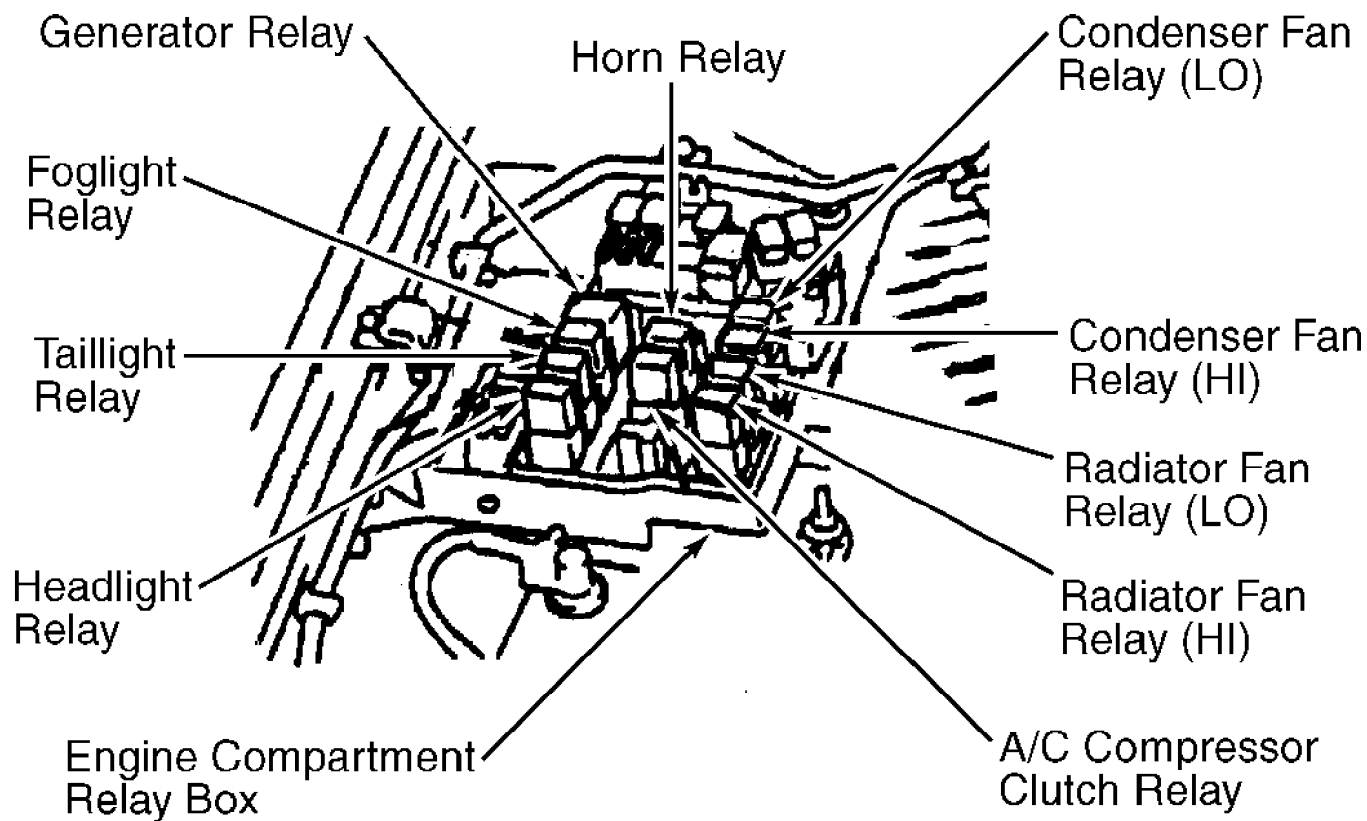
Behind right side of dash, near blower motor.



98F02327

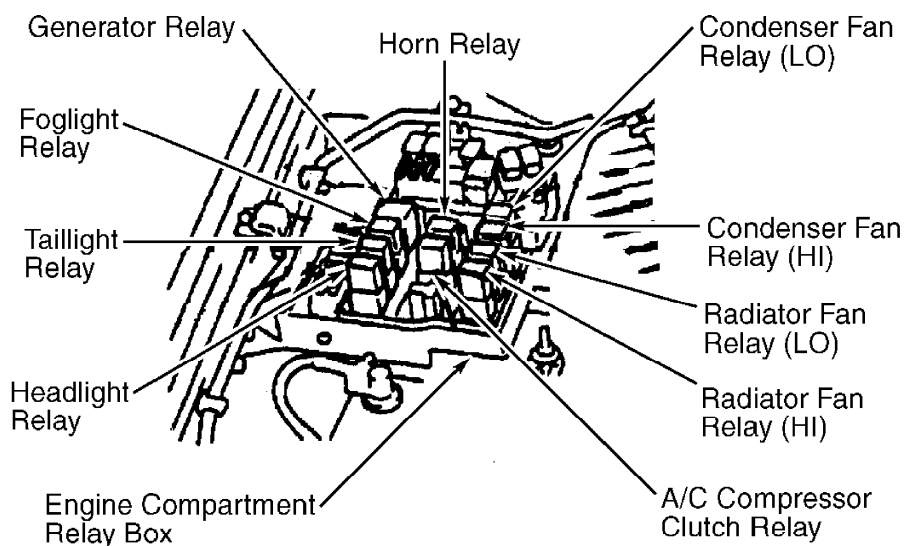
Blower Motor Relay

At left kick panel, on junction block (1).



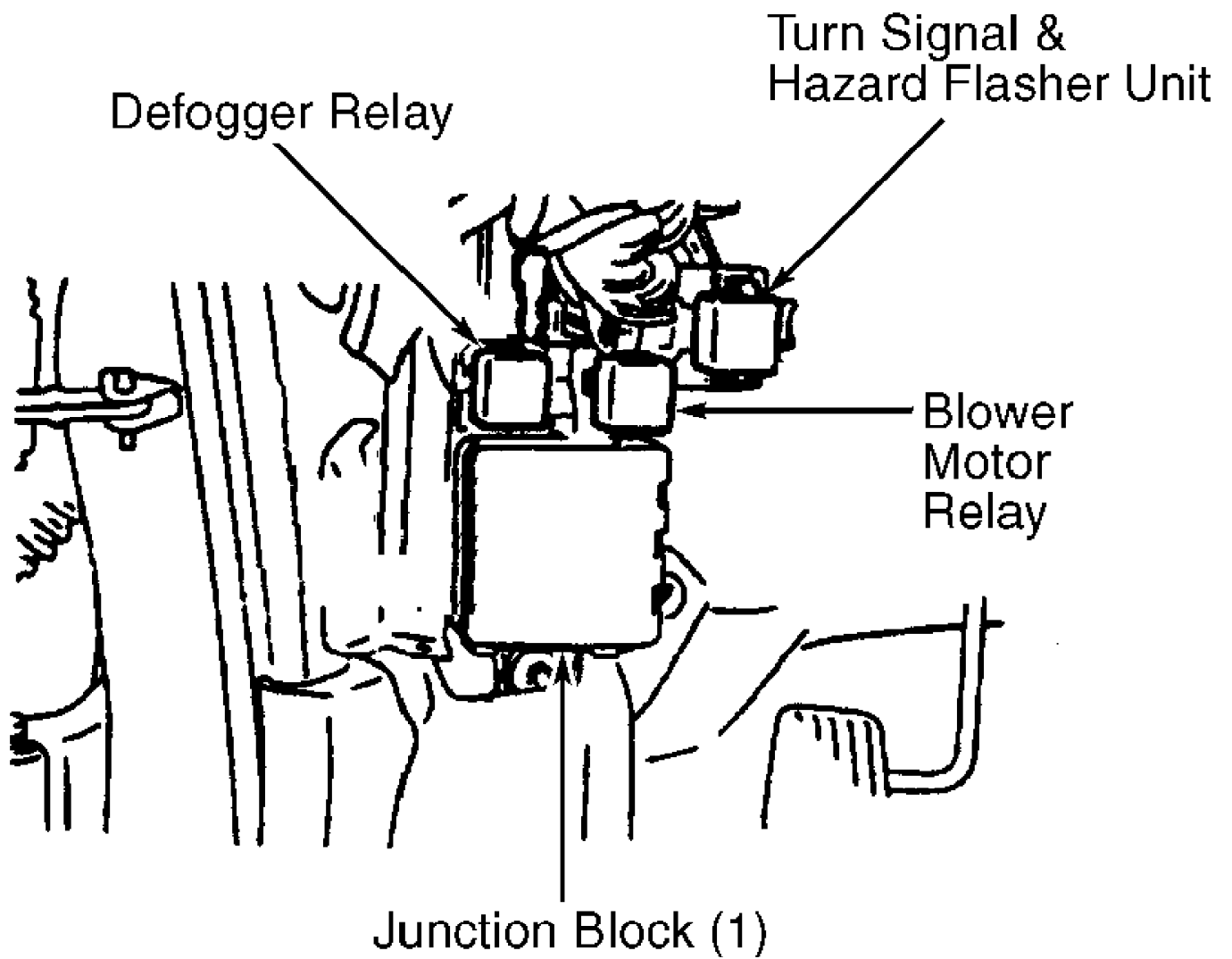
98G02323
Condenser Fan Relay (HI)

On engine compartment relay box, on right inner fender panel.



98G02323
Condenser Fan Relay (LO)

On engine compartment relay box, on right inner fender panel.



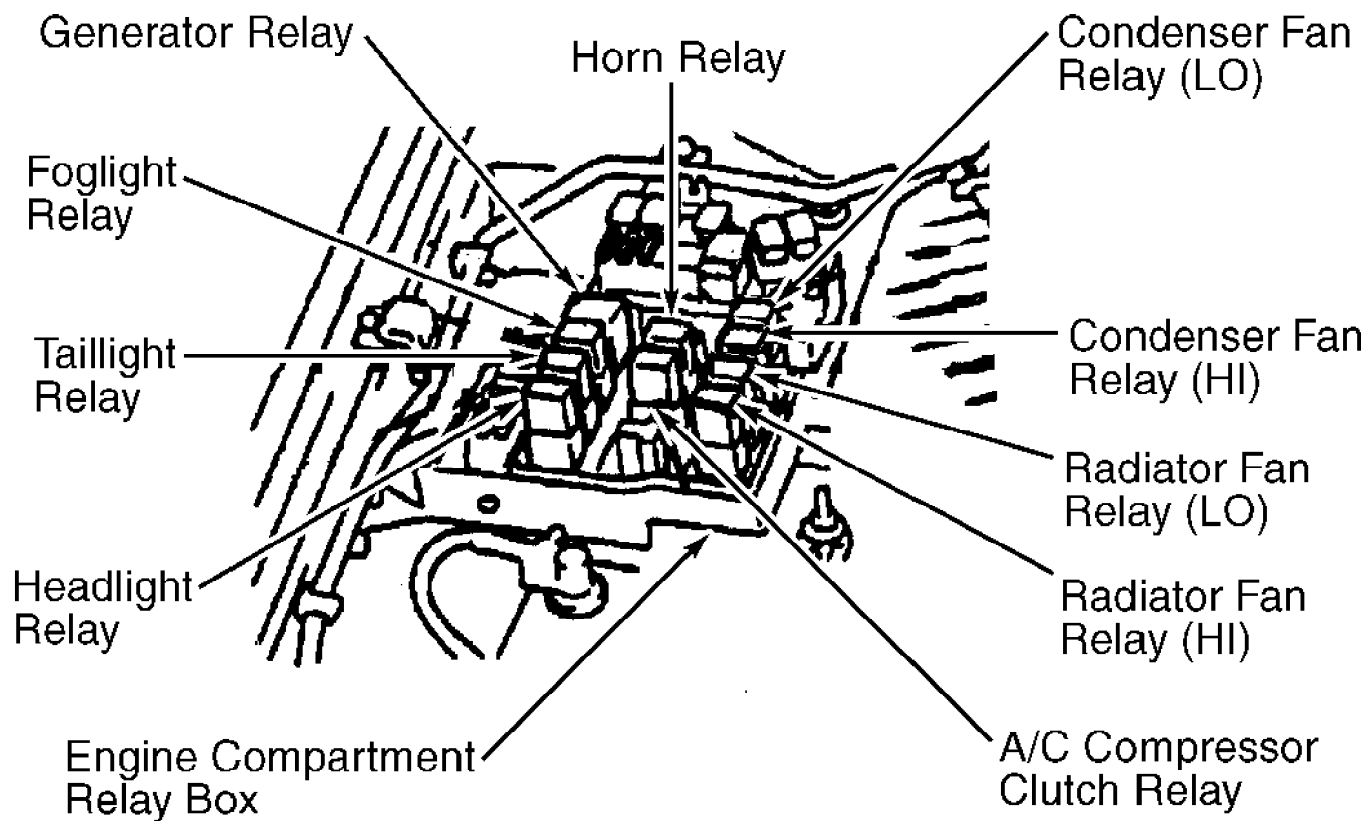
98F02327

Defogger Relay

At left kick panel, on junction block (1).

Door Lock Power Relay (Keyless Entry)

In front of trunk, underside center of rear shelf.

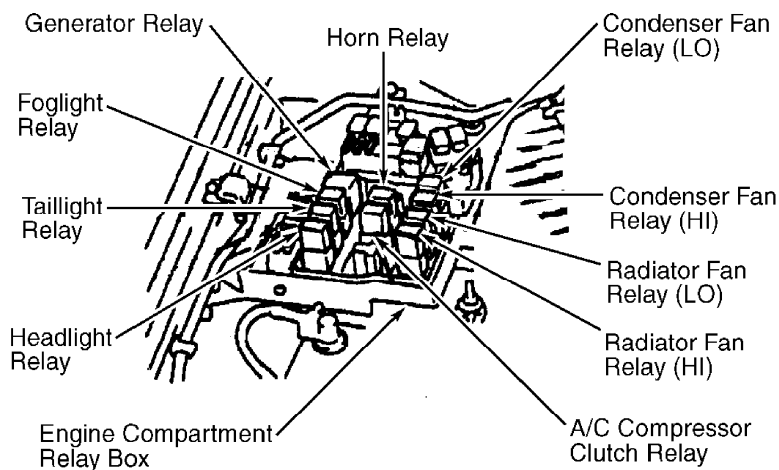


98G02323
Foglight Relay

On engine compartment relay box, on right inner fender panel.

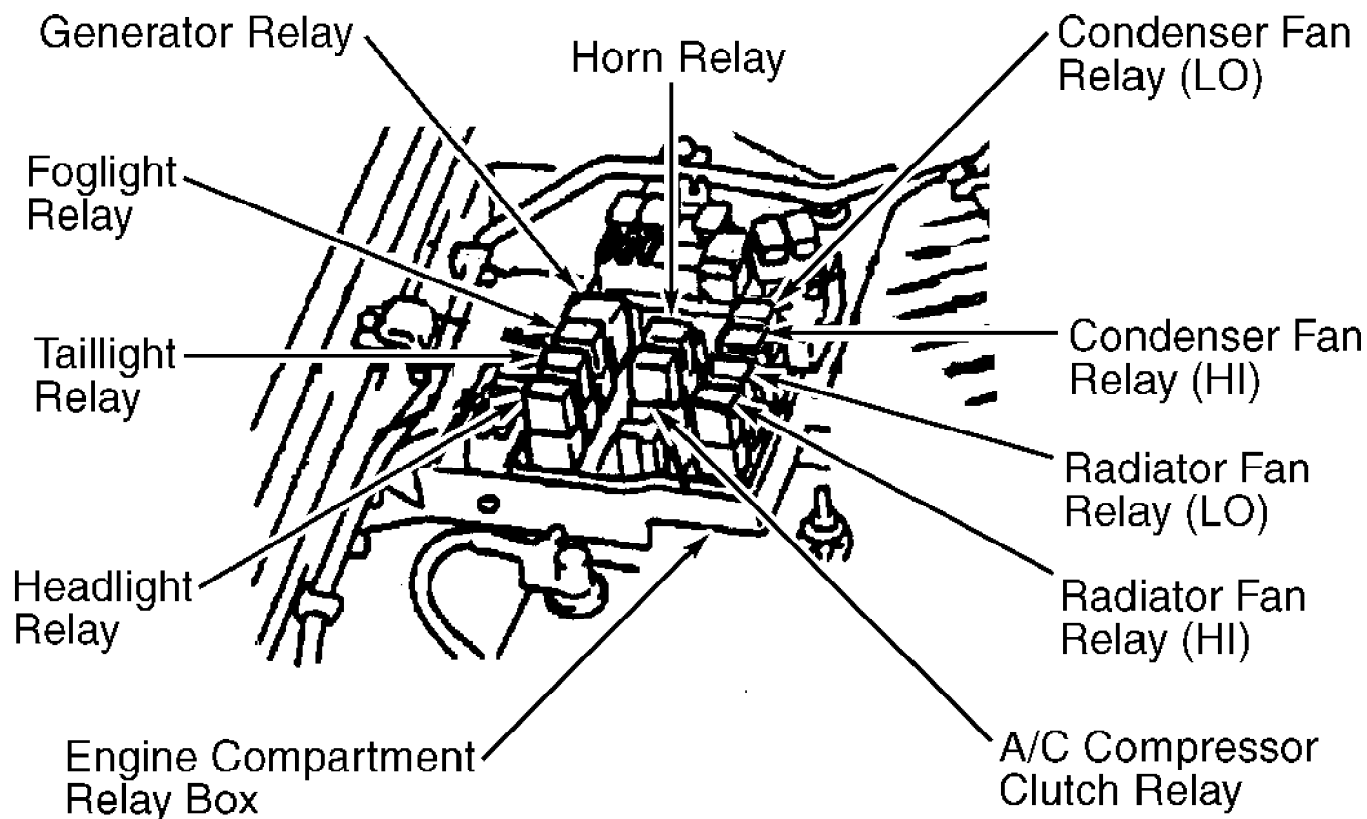
Fuel Pump Relay

Behind dash, right of driver's footwell.



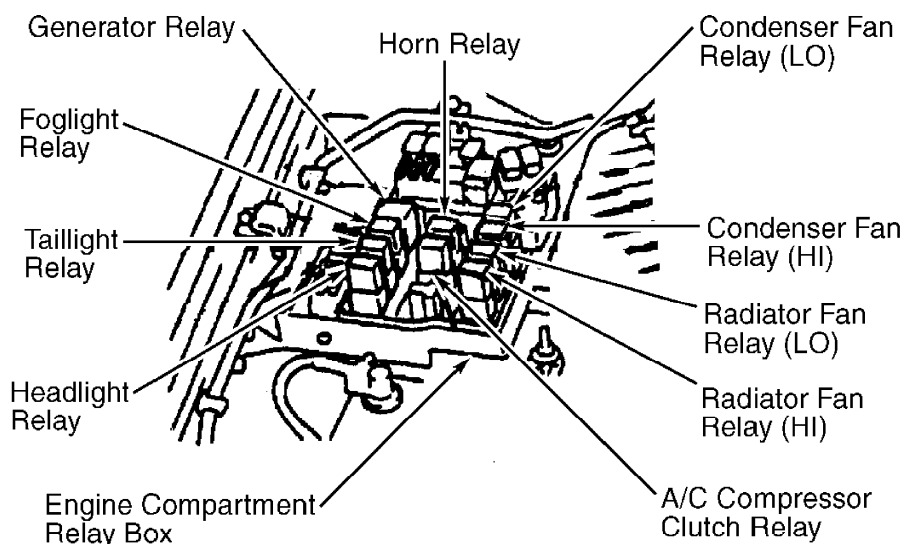
98G02323
Generator Relay

On engine compartment relay box, on right inner fender panel.



98G02323
Headlight Relay

On engine compartment relay box, on right inner fender panel.



98G02323
Horn Relay

On engine compartment relay box, on right inner fender panel.

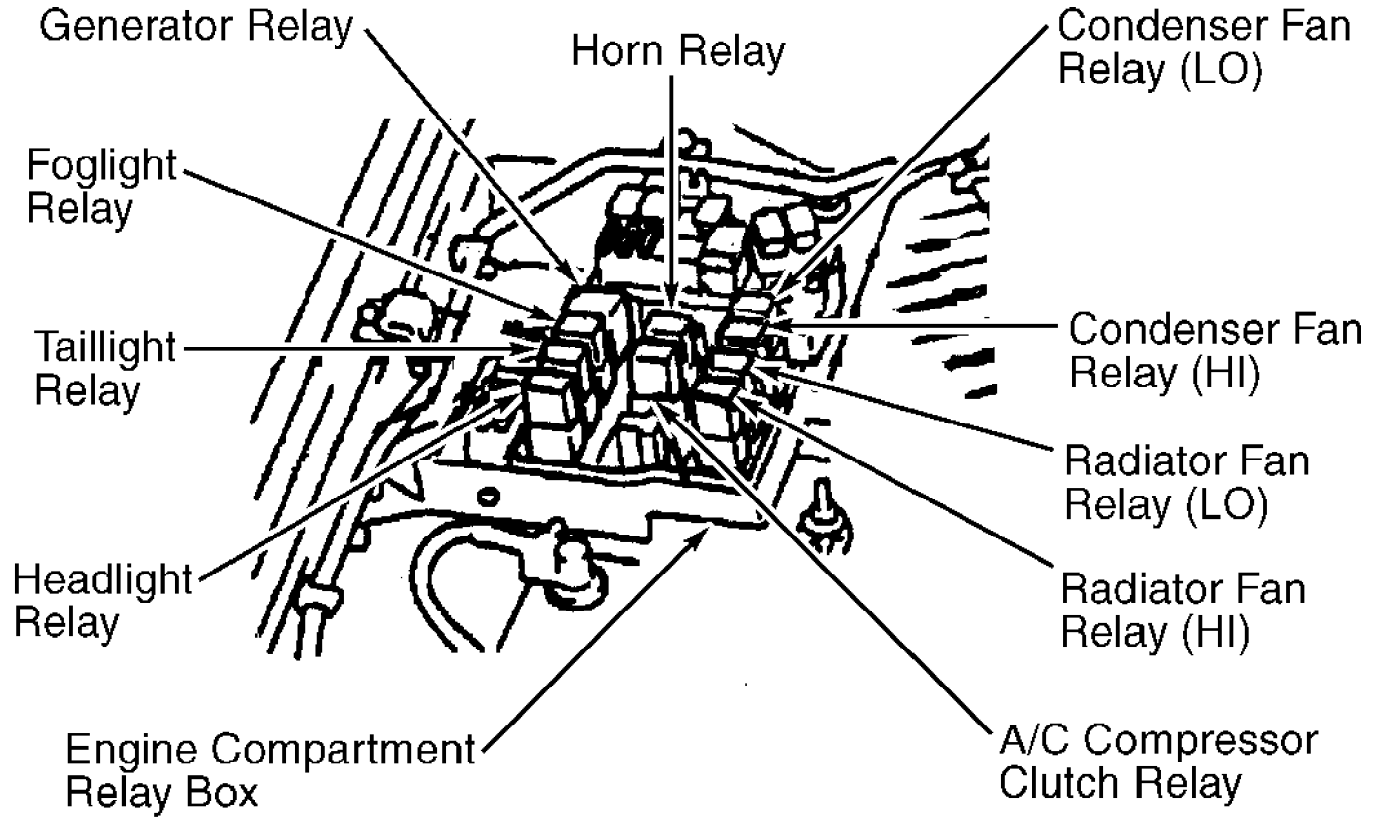
Intermittent Wiper Relay

Behind steering wheel, in

wiper column switch.

MFI Relay

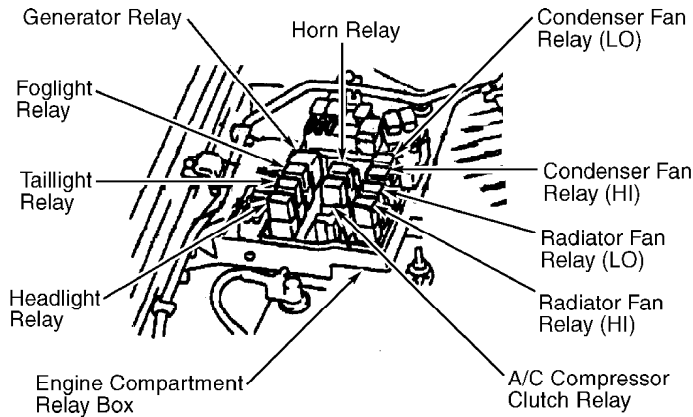
Behind dash, right of driver's footwell.



98G02323

Radiator Fan Relay (HI)

On engine compartment relay box, on right inner fender panel.



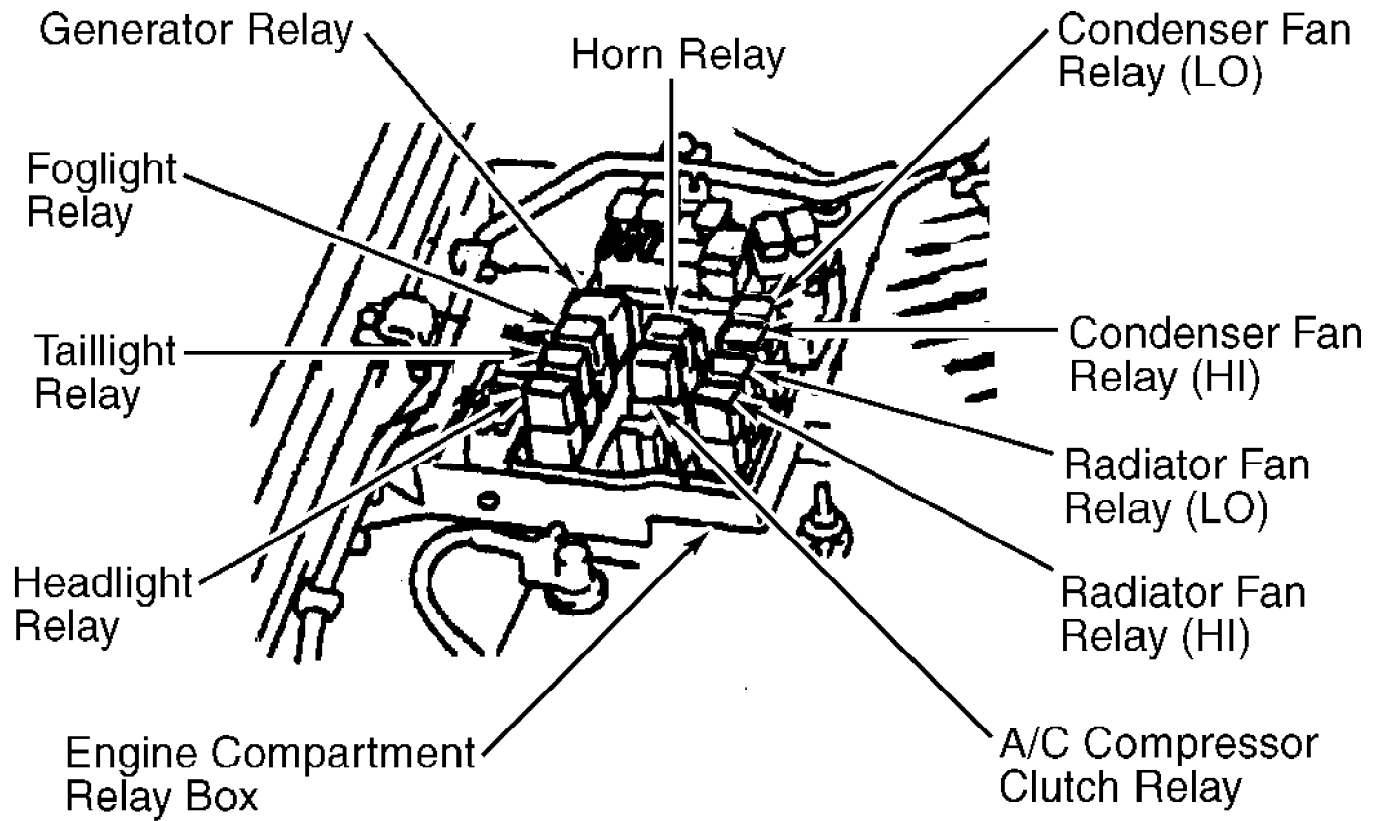
98G02323

Radiator Fan Relay (LO)

On engine compartment relay box, on right inner fender panel.

Starter Relay

On right inner fender panel.



98G02323
Taillight Relay

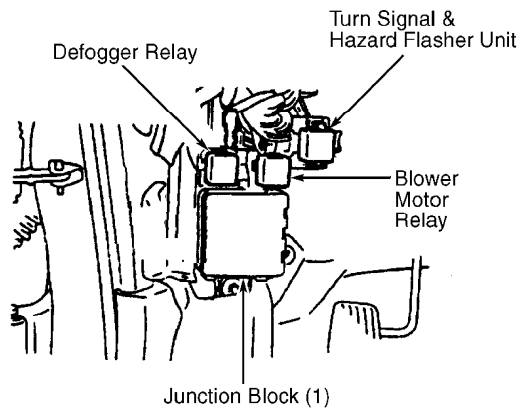
On engine compartment relay box, on right inner fender panel.

Theft-Alarm Horn Relay

On left inner fender panel.

Theft-Alarm Starter Relay

On right inner fender panel.



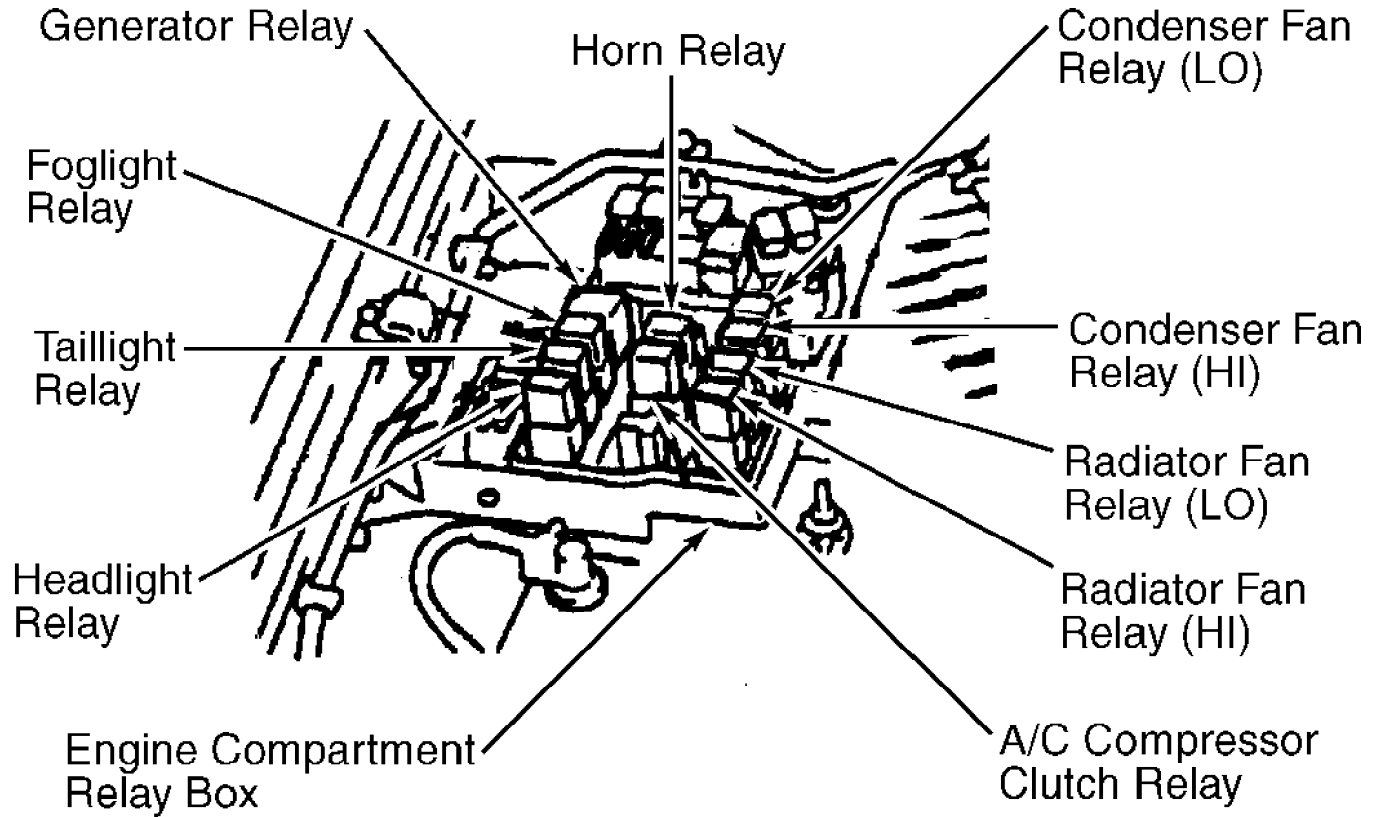
98F02327
Turn Signal & Hazard Flasher Unit

At left kick panel, on junction block (1).

CIRCUIT PROTECTION DEVICES

Component

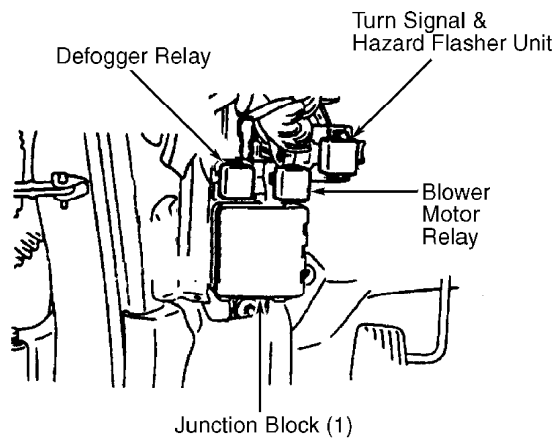
Component Location



98G02323

Engine Compartment Relay Box

On right inner fender panel.



98F02327

Junction Block (1)

At left side kick panel.

Junction Block (2)

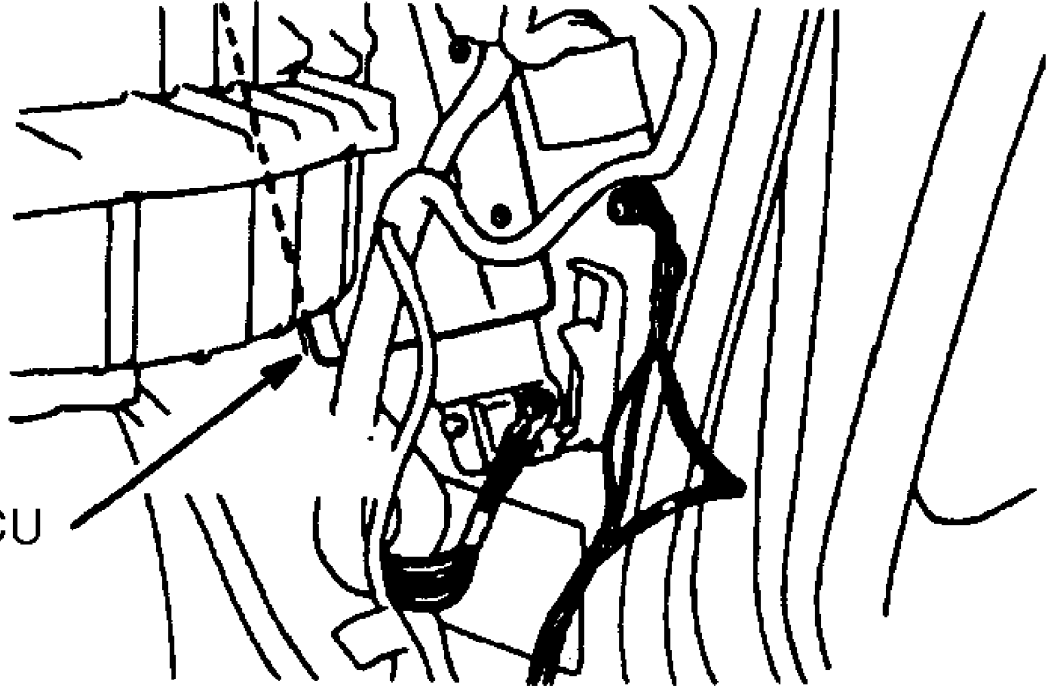
At left side kick panel.

CONTROL UNITS

Component

Component Location

ABS ECU



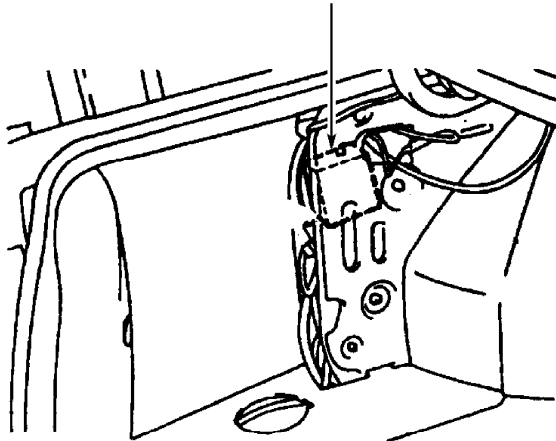
96J03263
ABS ECU

Under right side of dash.

A/C Control Panel & ECU Assembly
(Auto A/C)

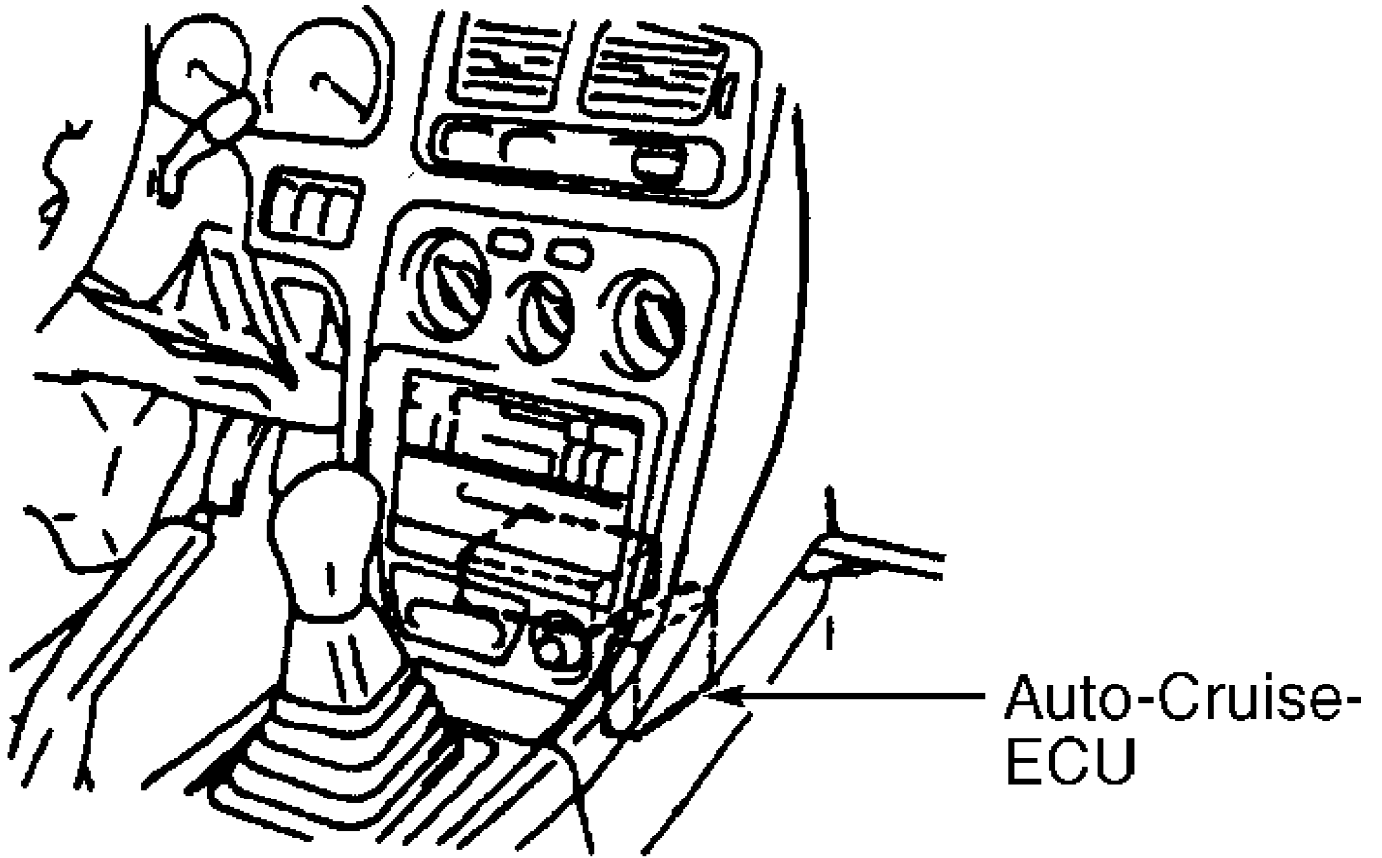
Behind center of dash.

Antenna Motor ECU



98H02333
Antenna Motor ECU

On left side of luggage
compartment.



98J02329

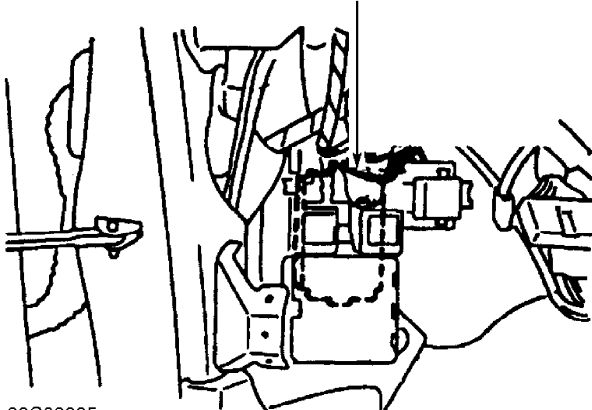
Auto-Cruise ECU

Behind center console.

Automatic Compressor ECU (Manual A/C)

Under right side of dash, on front evaporator case.

Buzzer ECU Or ETACS ECU



98C02335

Buzzer ECU

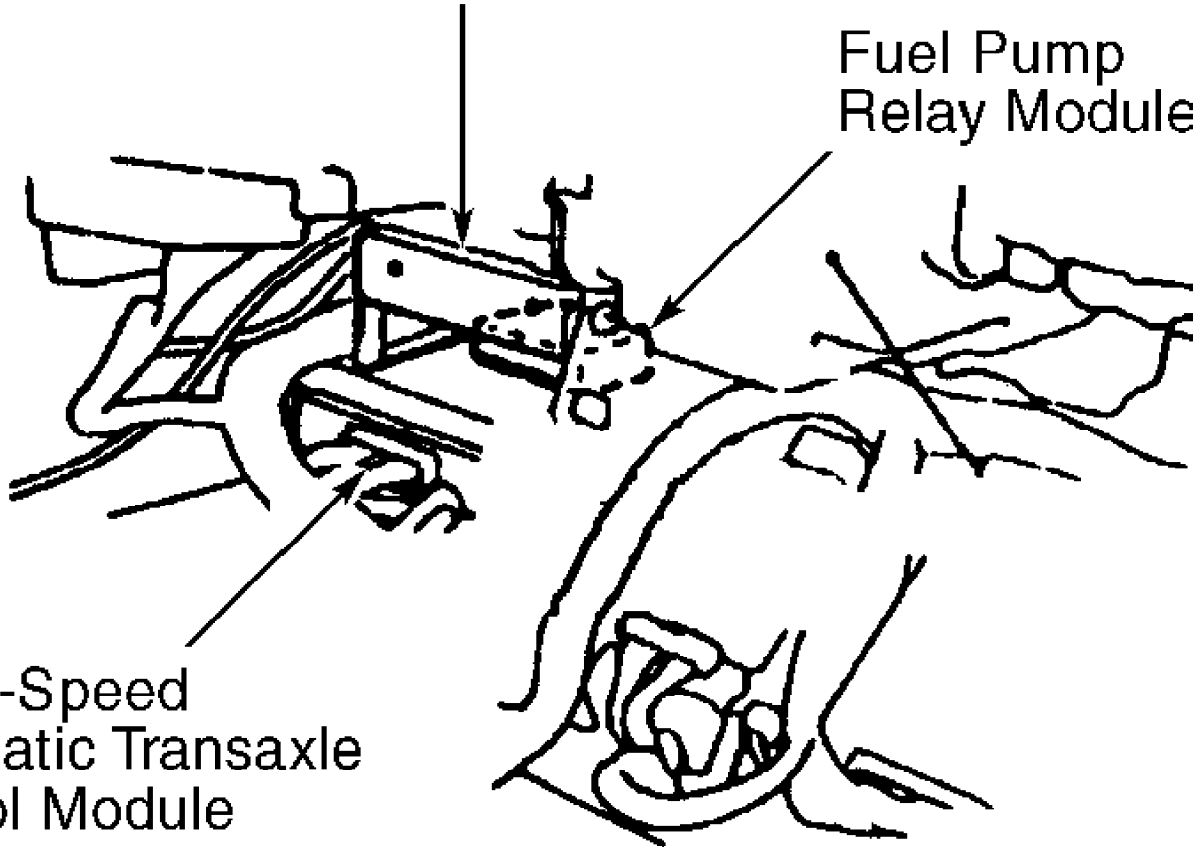
Behind left side of dash.

Door Lock ECU

In power window switch assembly, in driver's door.

Engine Control Module (ECM)

Fuel Pump
Relay Module



ELC 4-Speed
Automatic Transaxle
Control Module

98D02331

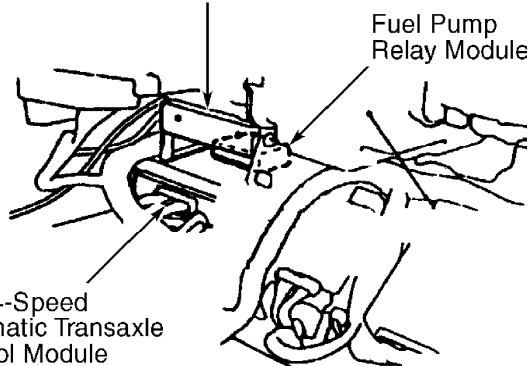
ELC 4-Speed Automatic Transaxle
Control Module

Behind center console.

Engine Control Module (ECM)

Fuel Pump
Relay Module

ELC 4-Speed
Automatic Transaxle
Control Module

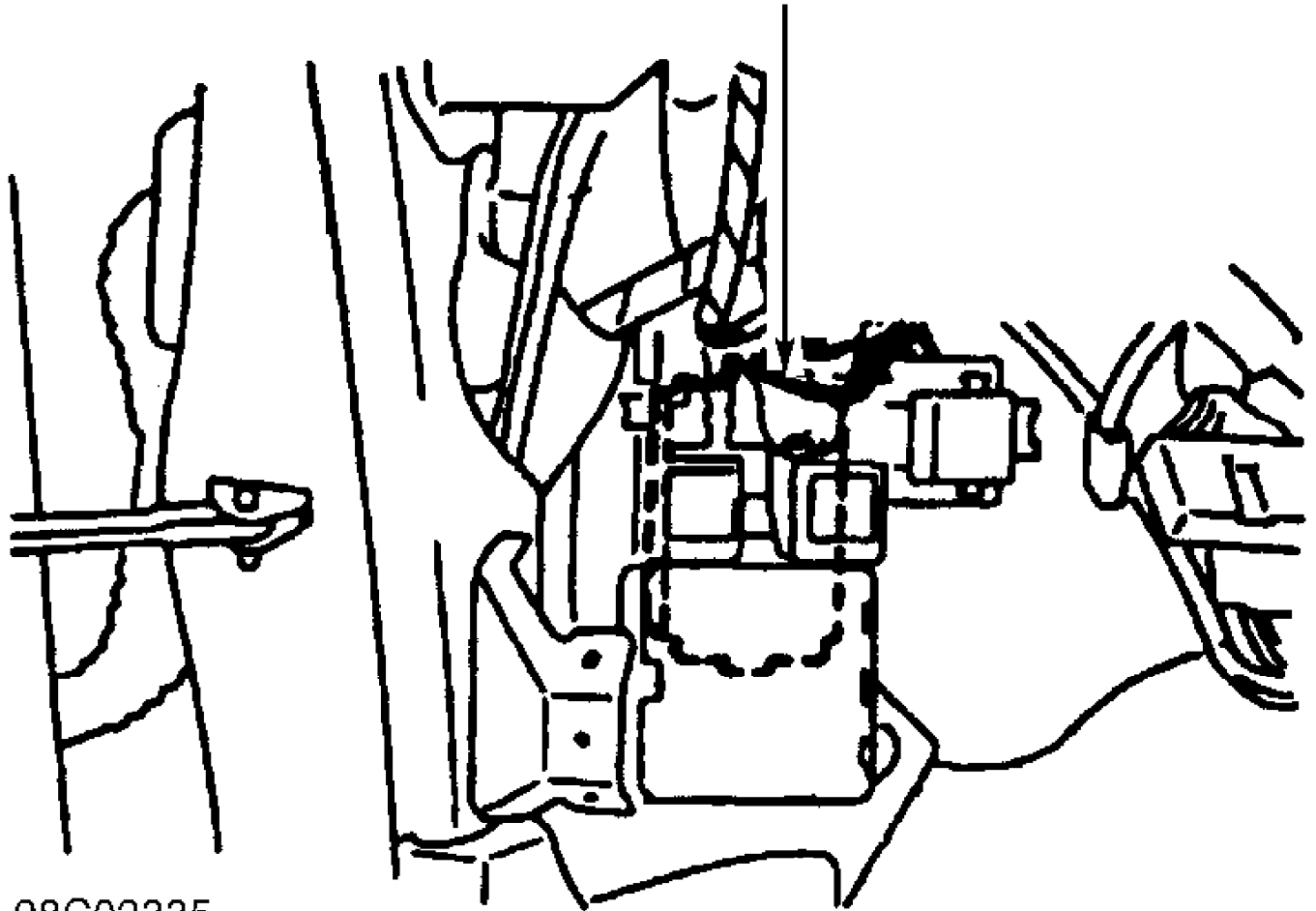


98D02331

Engine Control Module (ECM)

Behind center console.

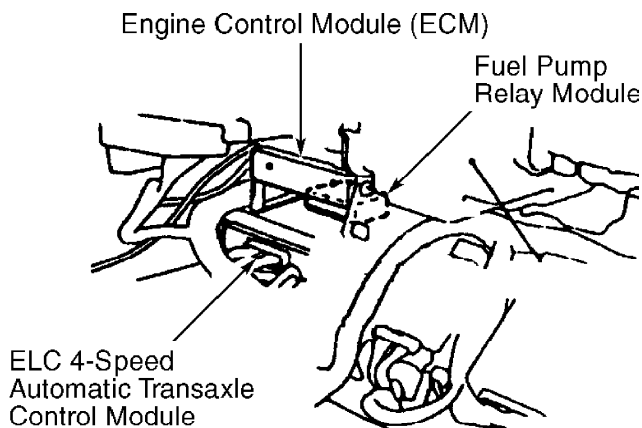
Buzzer ECU Or ETACS ECU



98C02335

ETACS ECU

Behind left side of dash.



Engine Control Module (ECM)

Fuel Pump
Relay Module

ELC 4-Speed
Automatic Transaxle
Control Module

98D02331

Fuel Pump Relay Module

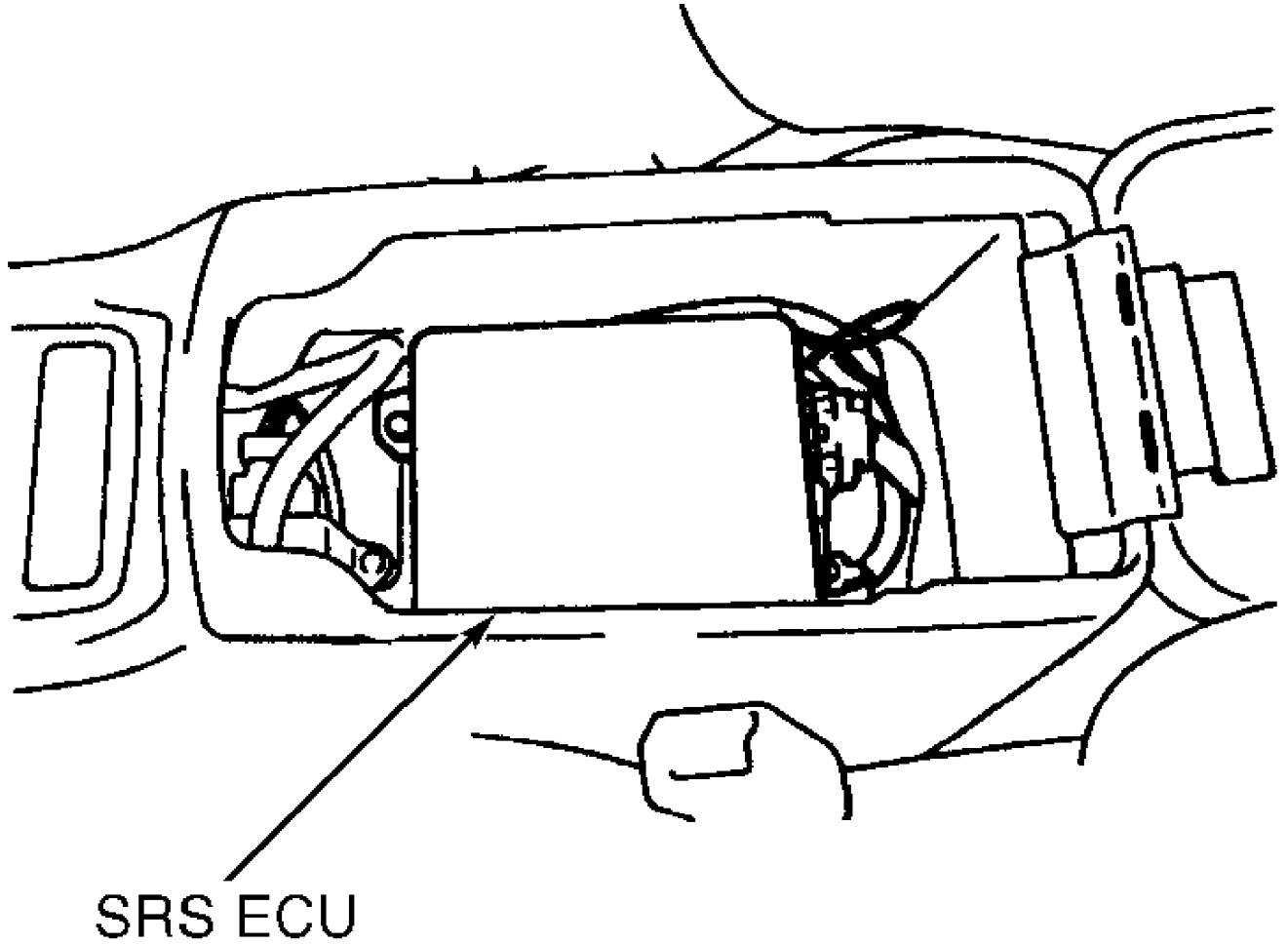
Behind center console.

Power Window ECU

In power window switch
assembly, in driver's door.

Receiver

Under center of rear shelf.



98G02337

SRS ECU

Inside floor console.

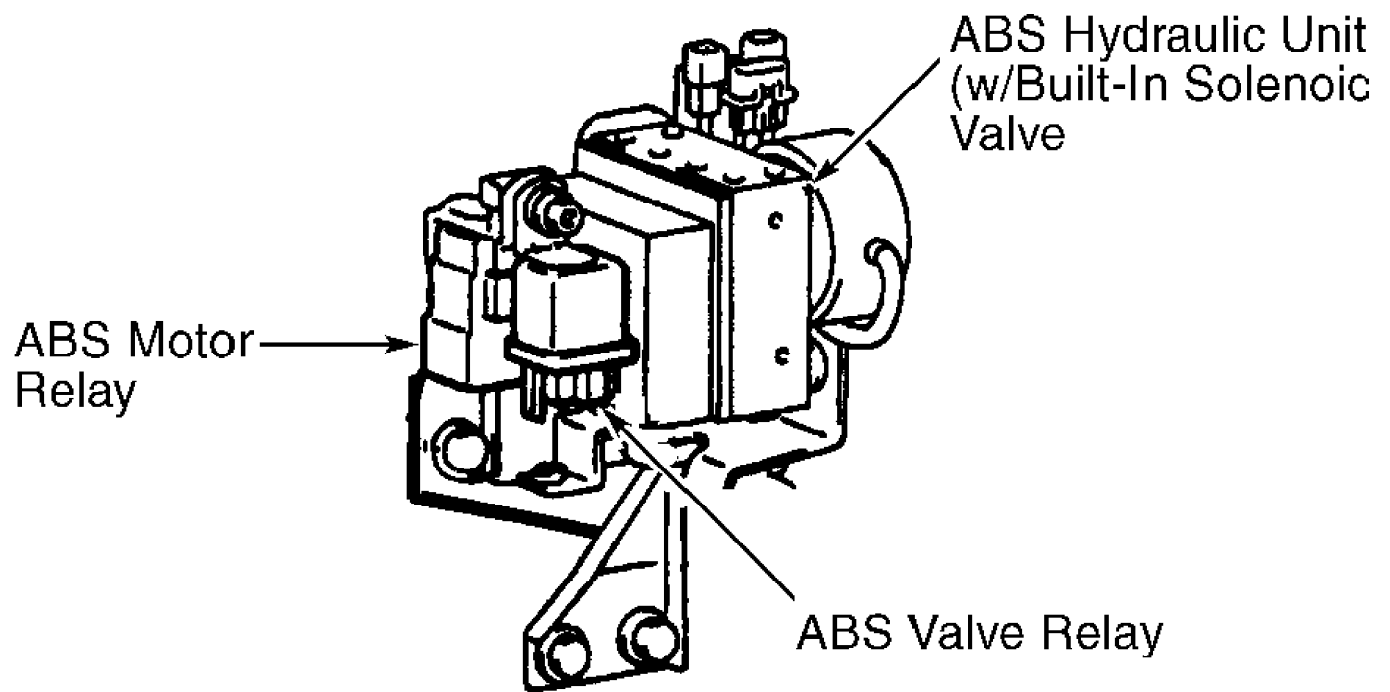
Sun Roof ECU

Center of windshield header.

MOTORS

Component

Component Location



98B02325

ABS Hydraulic Unit

On right rear of engine compartment.

Air Mixing Damper Control Motor

Behind right side of dash, on A/C-heater housing.

Air Selection Damper Control Motor

Behind right side of dash, on A/C-heater housing.

Antenna Motor Assembly

On left side of luggage compartment.

Auto-Cruise Control Vacuum Pump

On right rear of engine compartment.

Blower Motor

Under right side of dash.

Condenser Fan Motor

Behind condenser, left side of engine compartment.

Fuel Pump

In fuel tank.

Idle Air Control Motor

On side of fuel injection throttle body.

Mode Selection Damper Control Motor

Behind right side of dash, on A/C-heater housing.

Radiator Fan Motor

Behind radiator, right side of engine compartment.

Sun Roof Motor

In front center of roof, behind dome lamp.

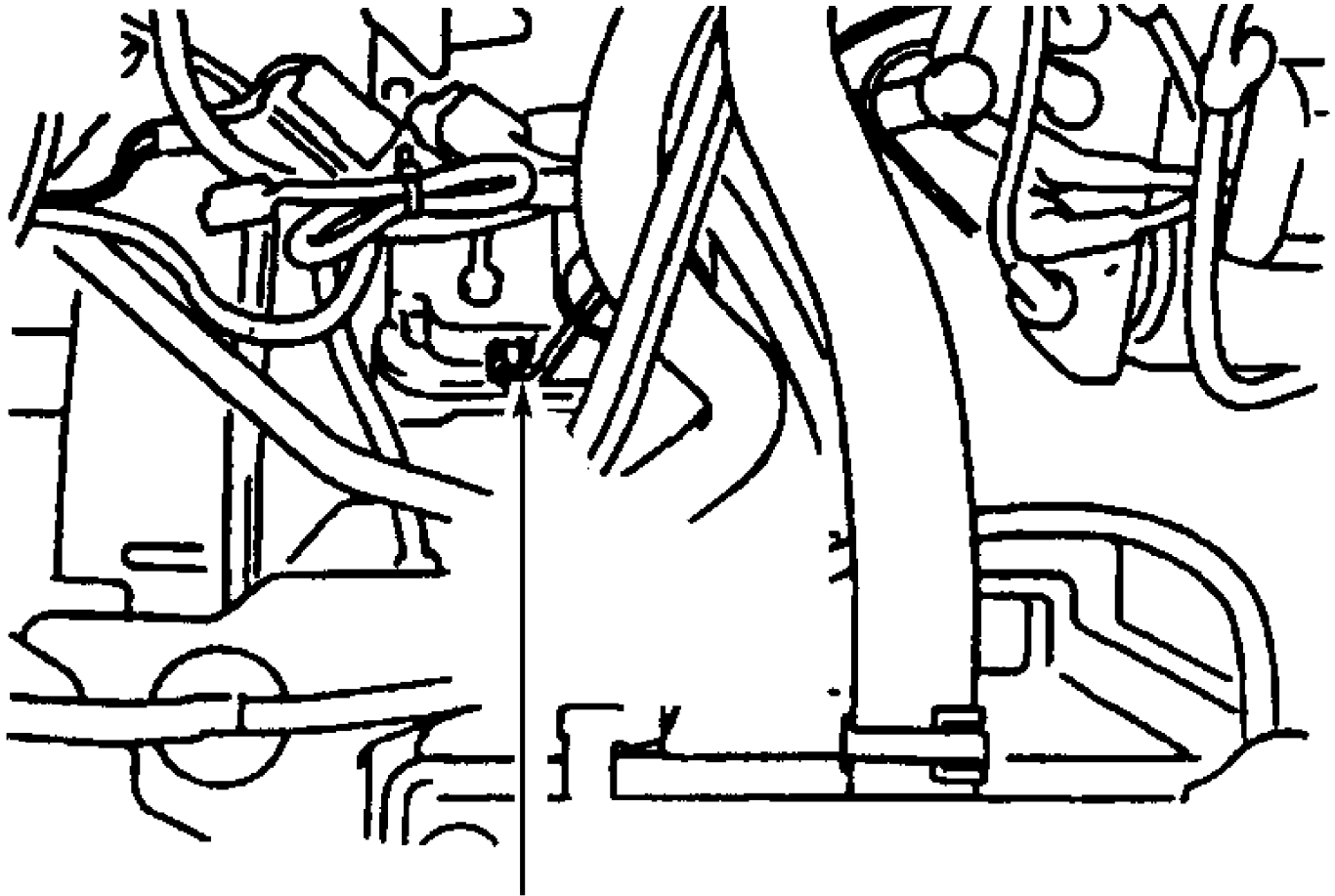
Windshield Washer Motor

Left side of engine

Windshield Wiper Motor	compartment, in washer fluid reservoir.
	Right rear of engine compartment.

SENDING UNITS & SENSORS

Component	Component Location
ABS Speed Sensors (Front) (2)	On steering knuckles.
ABS Speed Sensors (Rear) (2)	On brake caliper mounts.



A/T Fluid Temperature Sensor

95J24058
A/T Fluid Temperature Sensor

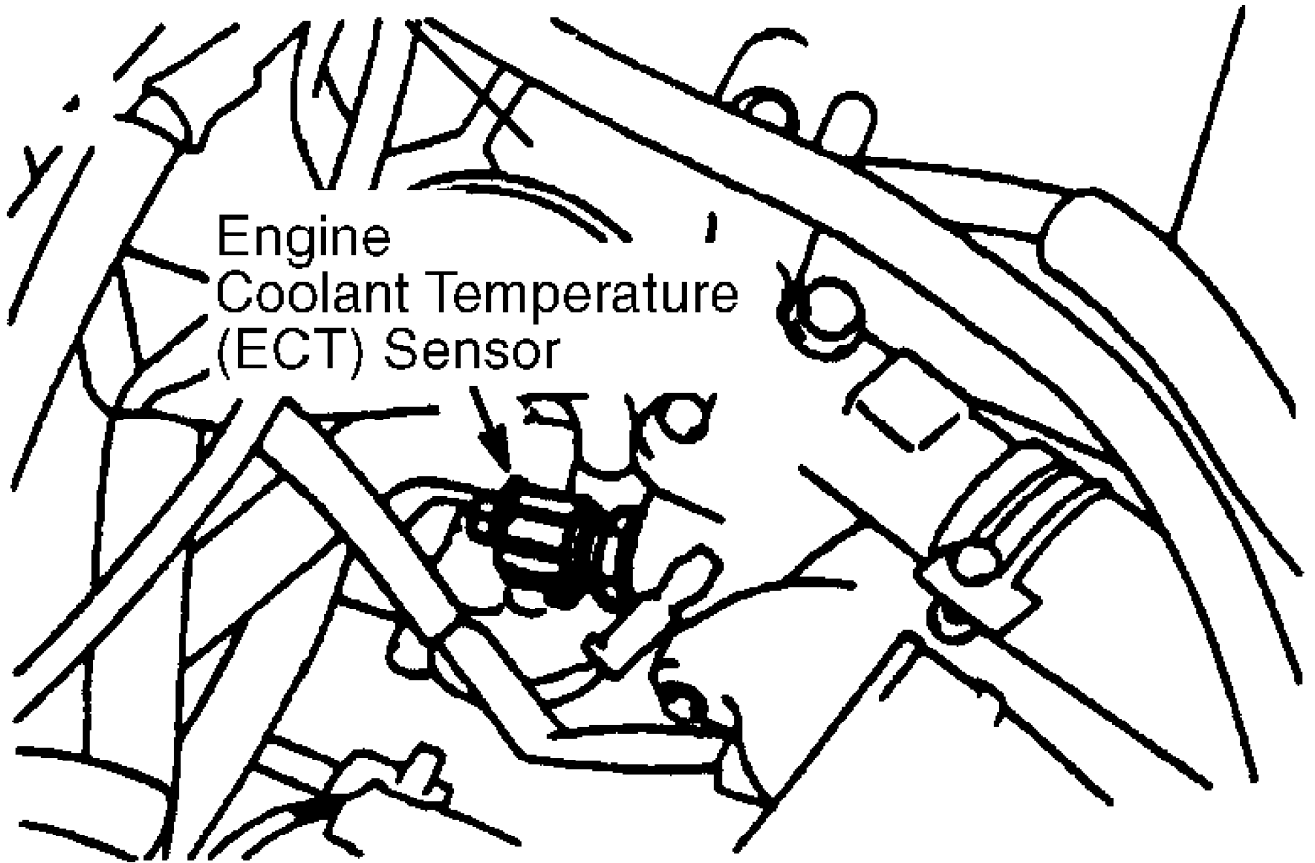
On lower transaxle case, near oil pan.

Camshaft Position (CMP) Sensor

Rear of cylinder head, in distributor.

Crankshaft Position (CKP) Sensor On front of engine.

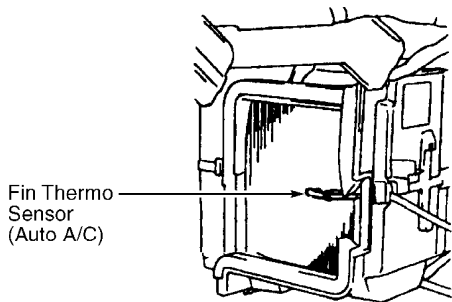
Engine Coolant Temperature (ECT) Gauge Unit On rear of engine near thermostat housing.



97A00372

Engine Coolant Temperature (ECT) Sensor

Near thermostat housing.



^{98E02341} Fin Thermo Sensor (Auto A/C)

In evaporator air outlet.

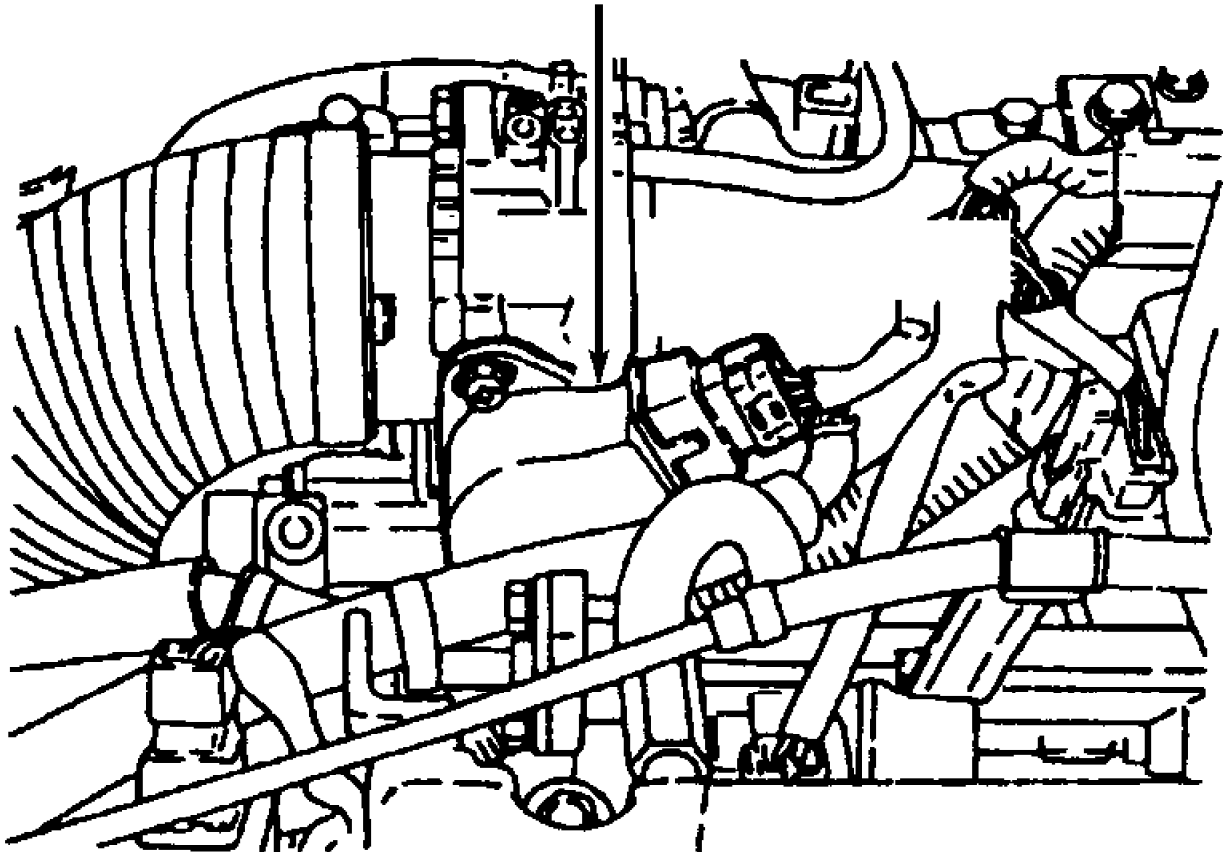
Fuel Gauge Unit

In fuel tank.

Fuel Tank Differential Pressure

Sensor	Top of fuel tank.
Heated Oxygen Sensor (HO2S) (Front) (Calif.)	Front of engine compartment, on exhaust manifold.
Heated Oxygen Sensor (HO2S) (Front) (Federal)	Below left side of engine, on exhaust system.
Heated Oxygen Sensor (HO2S) (Rear)	Underside of vehicle, rear of catalytic converter.
Heater Water Temperature Sensor (Auto A/C)	Behind right side of dash.
Manifold Differential Pressure Sensor	Top left rear of engine.
Outside Thermometer Sensor (Auto A/C)	Behind right front grille.
Photo Sensor	On top right side of dash.

Throttle Position (TP) Sensor

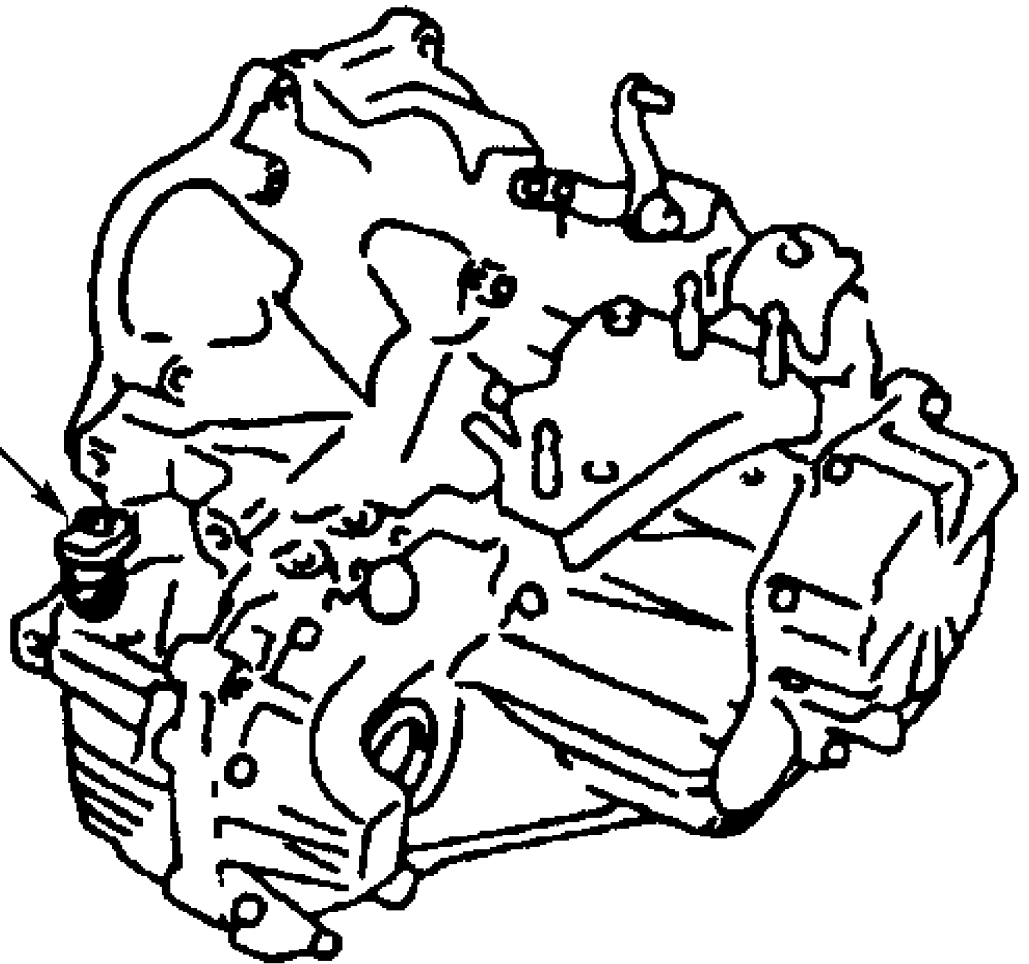


95F24054

Throttle Position (TP) Sensor

On right side of throttle body
(facing intake).

Vehicle
Speed
Sensor
(VSS)

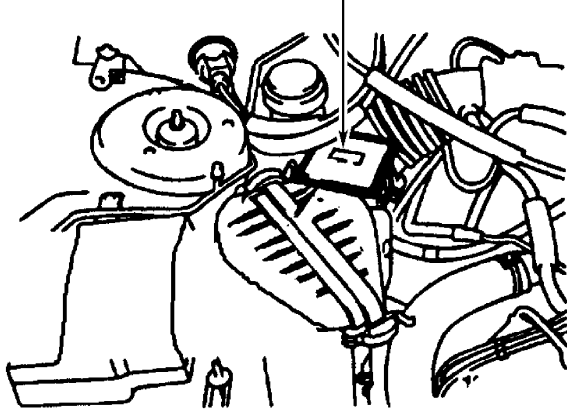


96C03269

Vehicle Speed Sensor (VSS)

Mounted on left side of
transaxle.

Volume Airflow Sensor



98A02339

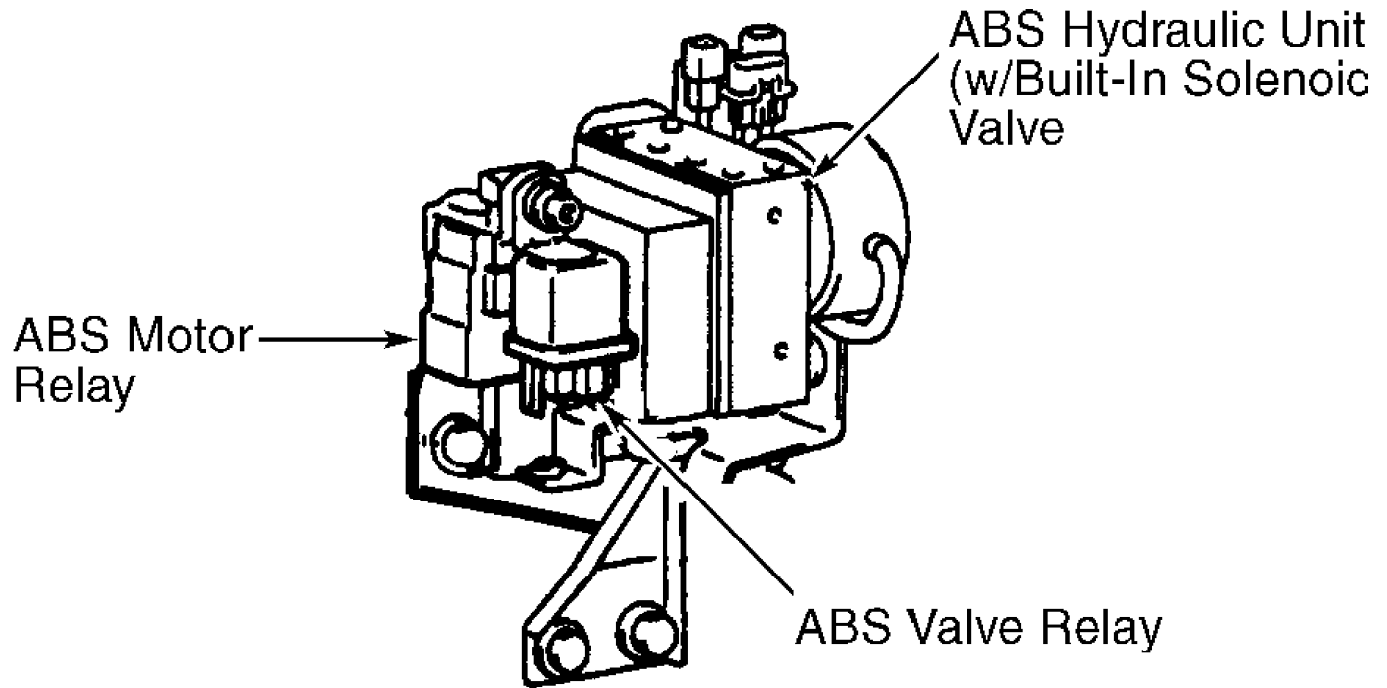
Volume Airflow Sensor

In air cleaner housing
(Includes intake air
temperature & barometric
pressure sensor).

SOLENOIDS & SOLENOID VALVES

Component

Component Location



98B02325

ABS Hydraulic Unit
(w/Built-In Solenoid Valve)

On right rear of engine compartment.

Auto-Cruise Control Vacuum Pump
(w/Built-In Control Valve & Release Valve)

On right rear corner of engine compartment.

ELC 4-Speed Automatic Transaxle Control Solenoid Valve

On valve body, in transaxle.

Evaporative Emission Purge Solenoid

Top front of engine.

Evaporative Emission Ventilation Solenoid

Lower right front of engine compartment.

Exhaust Gas Recirculation (EGR) Solenoid (Federal)

On center of firewall.

SWITCHES

Component

Component Location

A/C Refrigerant Temperature Switch	On A/C compressor.
Back-Up Light Switch	Top of transaxle.
Brake Fluid Level Switch	Left rear of engine compartment, in brake fluid reservoir.
Clutch Pedal Position Switch	On clutch pedal bracket.
Dual Pressure Switch	In receiver-drier, right front of engine compartment.
Hood Switch	On right front of engine compartment.
Inside/Outside Air Changeover Switch	Behind right side of dash, on A/C-heater housing.
Kickdown Servo Switch (A/T)	On kickdown servo piston cover.
Oil Pressure Switch	On right side front of engine.
Parking Brake Switch	Mounted below park brake lever.
Park/Neutral Position (PNP) Switch (A/T)	Top of transaxle.
Power Steering Pressure Switch	Lower left front of engine compartment, on P/S pump.
Seat Belt Switch (Left)	In driver seat belt buckle.
Stoplight Switch	On brake pedal bracket.

MISCELLANEOUS

Component	Component Location
Amplifier	Under center of rear shelf.
Blower Resistor	Behind right side of dash.
Data Link Connector (DLC)	Below dash, left of center console.
Diode (ABS Circuit)	Behind right side of glove box, taped to harness.
Diode (Theft-Alarm Circuit)	Behind left side of dash, taped to harness.
Diode (Theft-Alarm Circuit)	Left side of luggage compartment, taped to harness.
Fuel Pump Check Connector	On right side of firewall.
Noise Capacitor	On right rear of engine, near

distributor.

Power Transistor

Behind right side of dash.

Pulse Generators ("A" & "B")

In right side of engine
compartment, on transaxle.

Theft-Alarm Horn

On left rear of engine
compartment.
