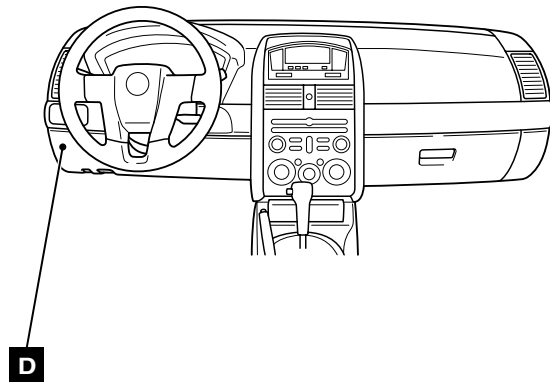
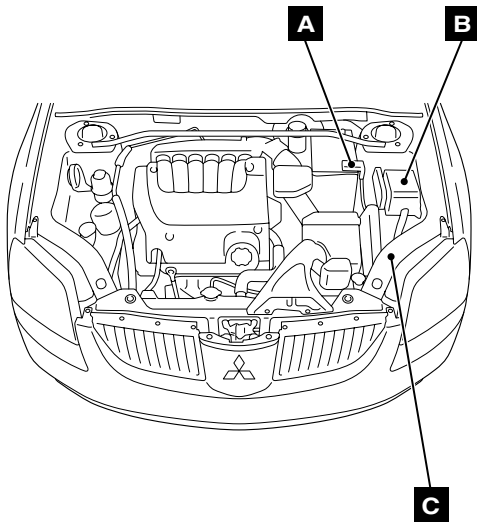

GROUP 70**COMPONENT
LOCATIONS****CONTENTS**

FUSIBLE LINK, FUSE AND IOD OR STORAGE CONNECTOR.....	70-2	INSPECTION TERMINAL.....	70-8
GROUNDING CABLE.....	70-3	SENSOR.....	70-8
GROUNDING.....	70-4	CONTROL UNIT.....	70-15
RELAY.....	70-6	OTHER DEVICES.....	70-18
		SOLENOID AND SOLENOID VALVE	70-19

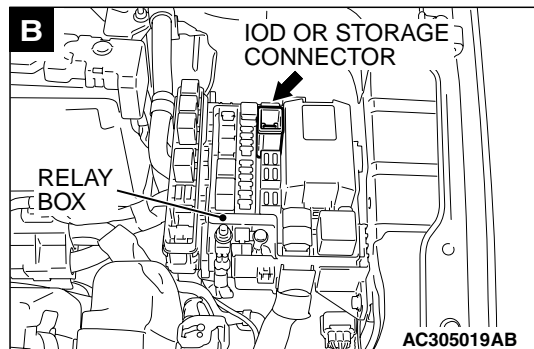
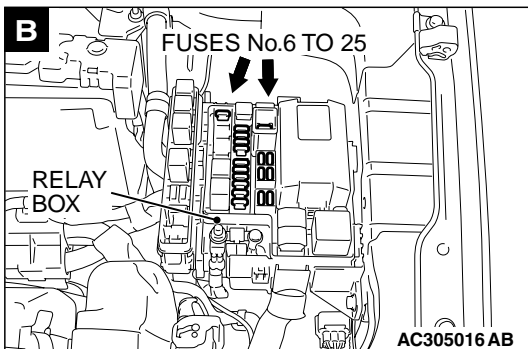
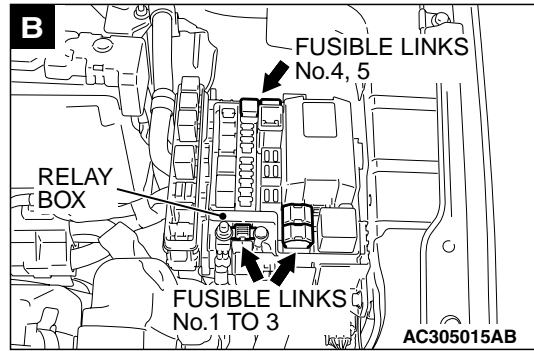
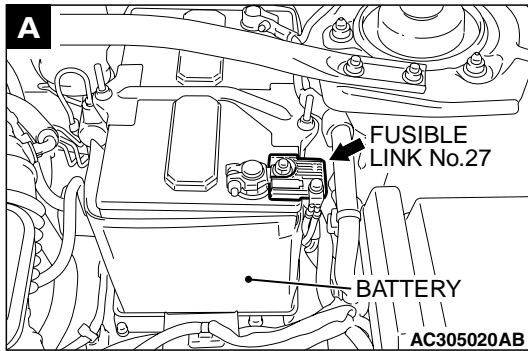
FUSIBLE LINK, FUSE AND IOD OR STORAGE CONNECTOR

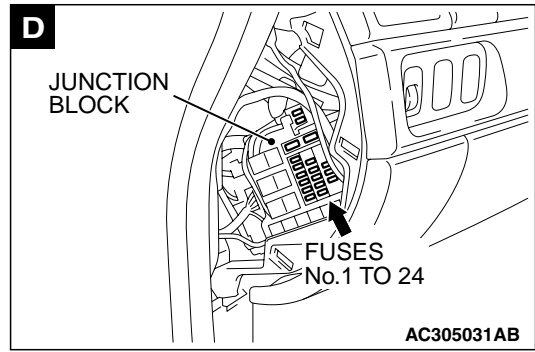
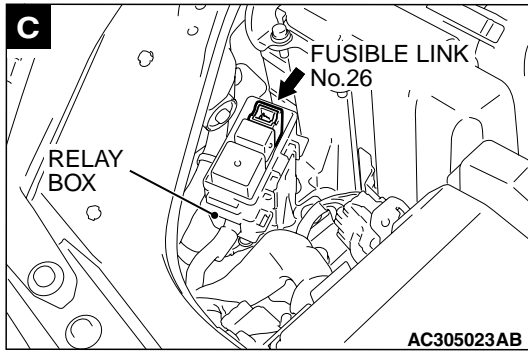
M1701000100380

NAME	SYMBOL	NAME	SYMBOL
Fuses No.1 to 24 (Passenger compartment)	D	Fusible link No.27 (Engine compartment)	A
Fuses No.6 to 25 (Engine compartment)	B	Fusible links No.1 to 5 (Engine compartment)	B
Fusible link No.26 (Engine compartment)	C	IOD or storage connector	B



AC305445AB

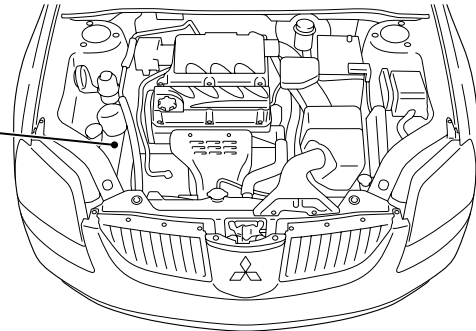
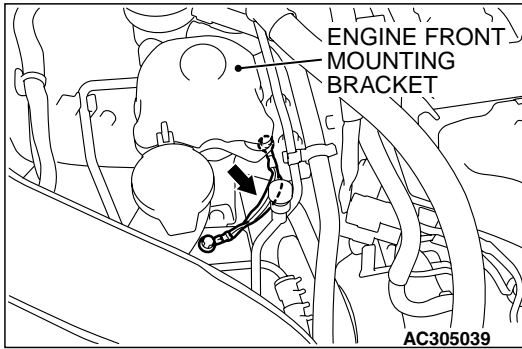




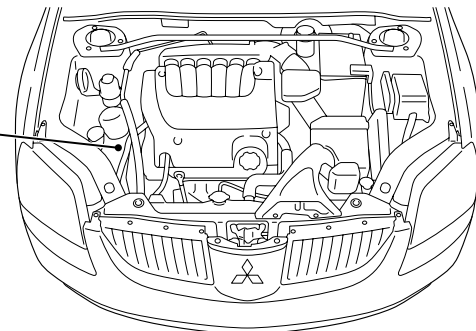
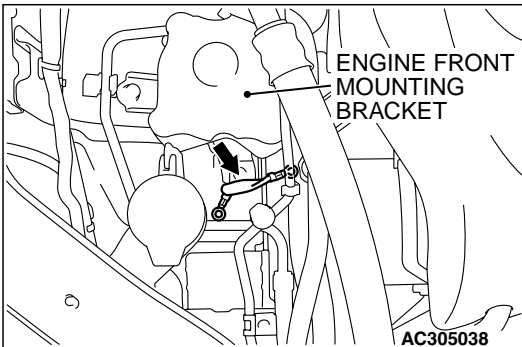
GROUNDING CABLE

M1701001000319

<2.4L ENGINE>



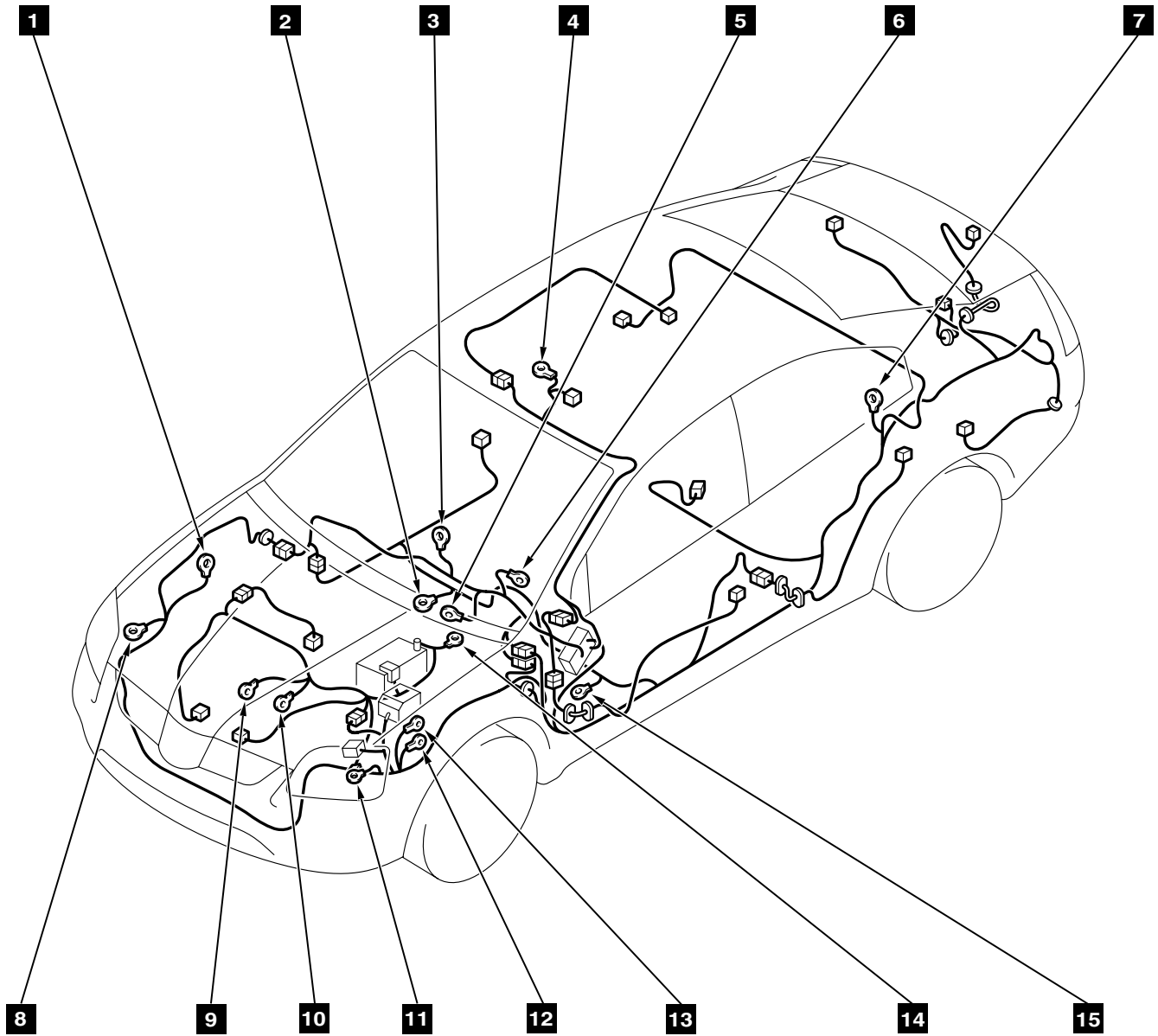
<3.8L ENGINE>



AC305447AB

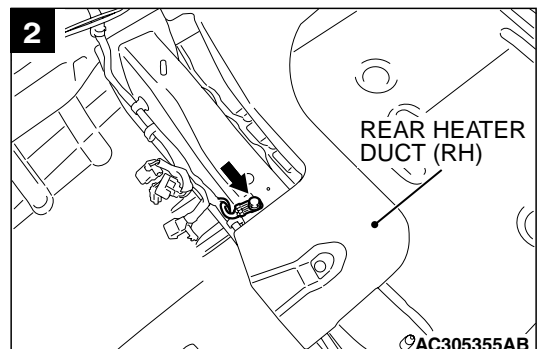
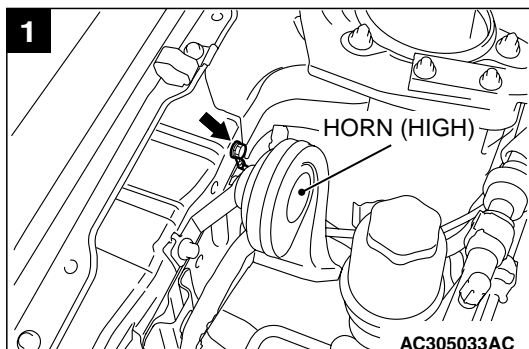
GROUNDING

M1701000300522

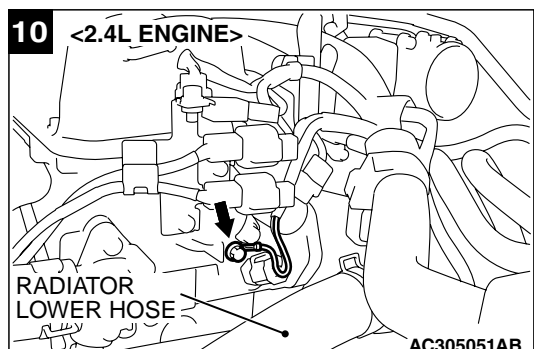
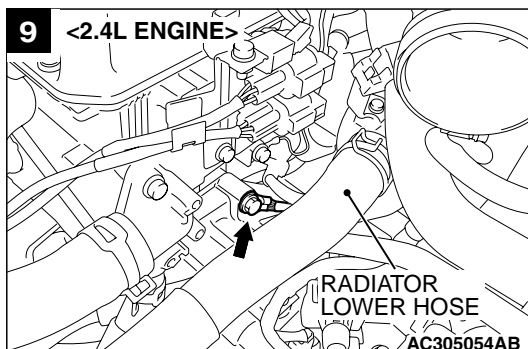
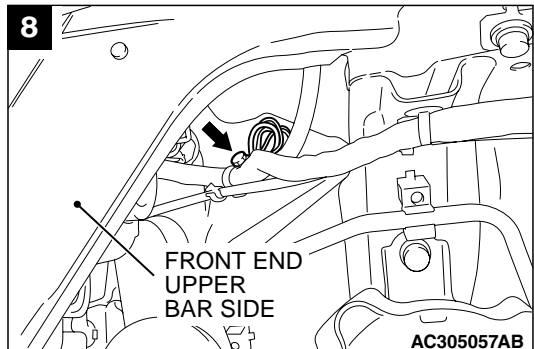
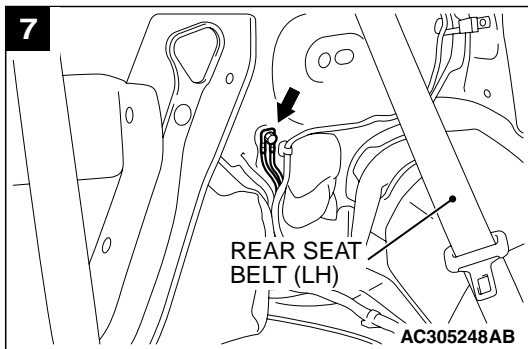
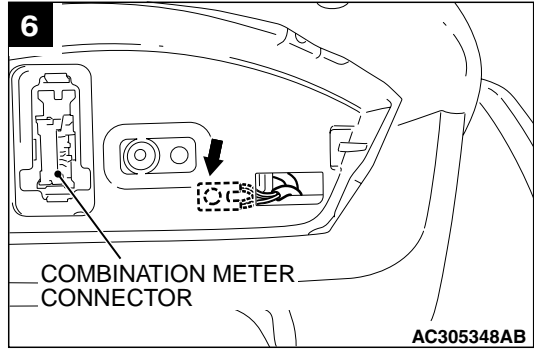
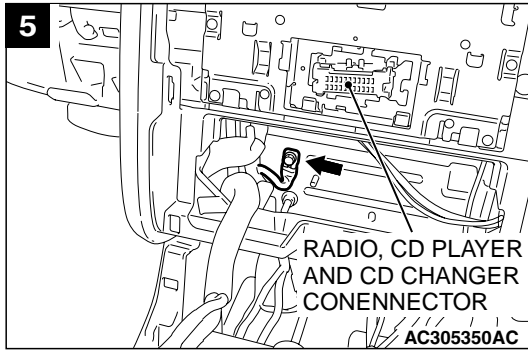
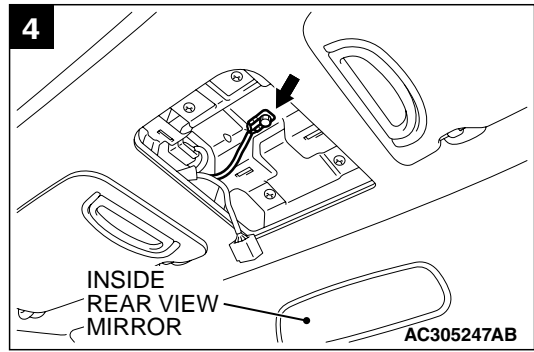
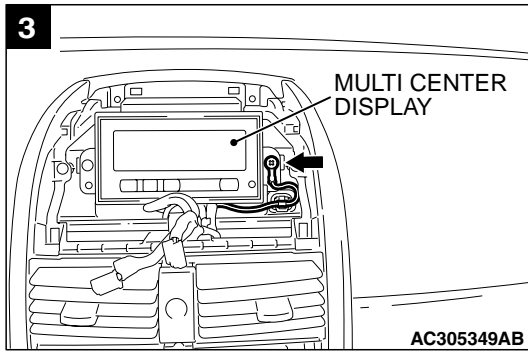


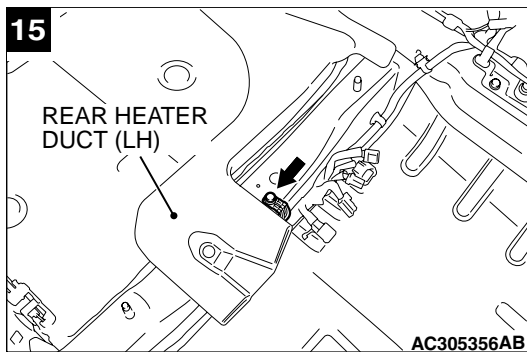
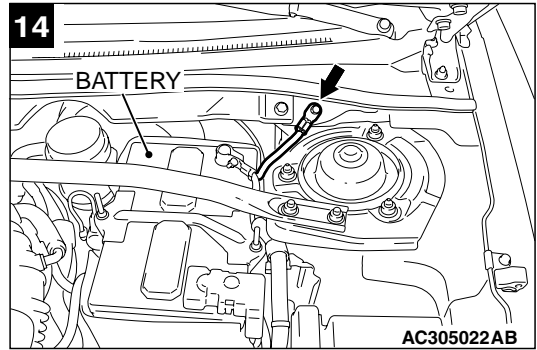
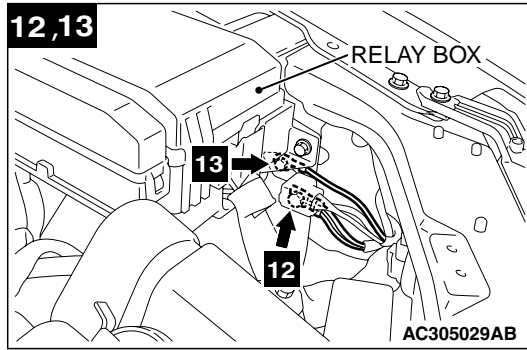
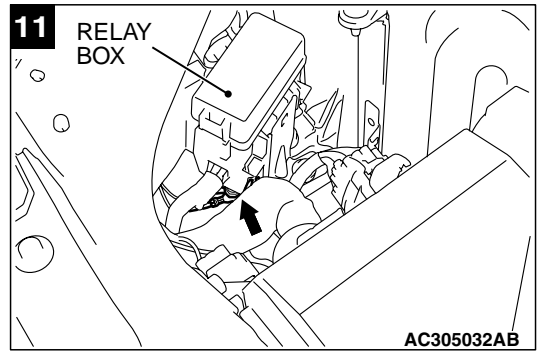
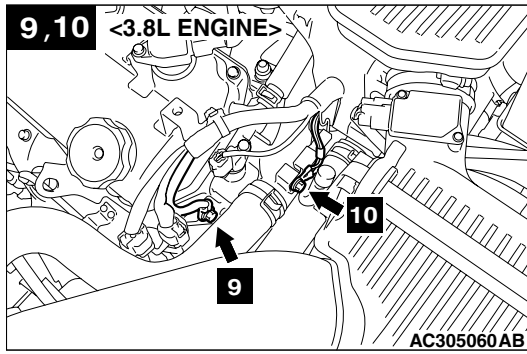
AC304369AC

NOTE: 1 to 15 numbers correspond to the body ground point numbers in CIRCUIT DIAGRAMS.



TSB Revision

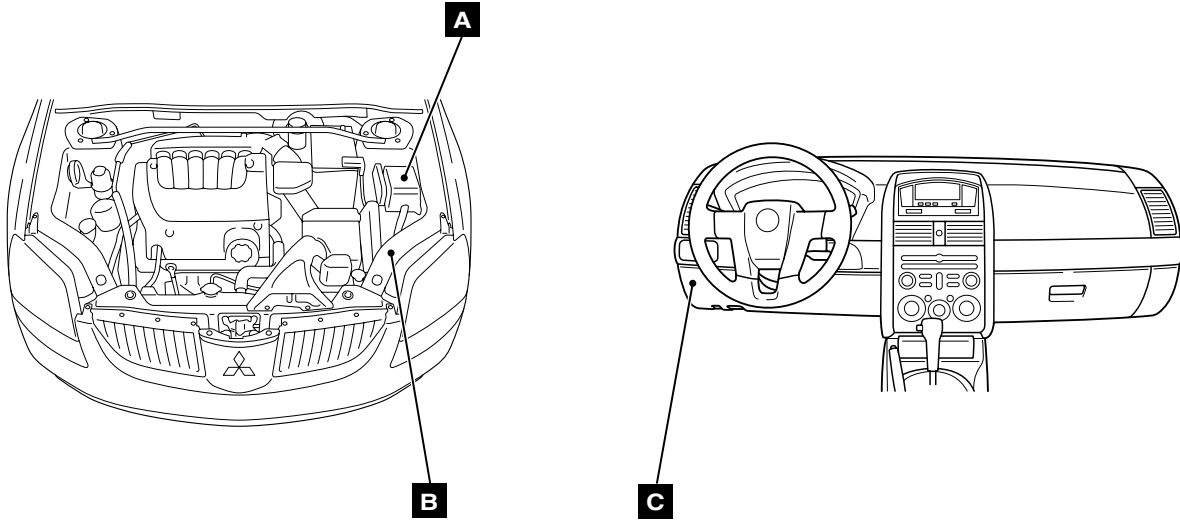




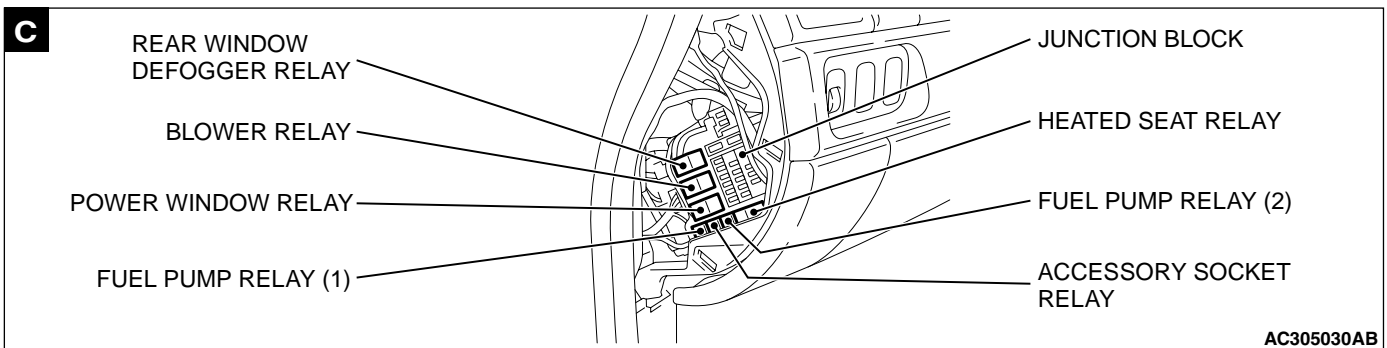
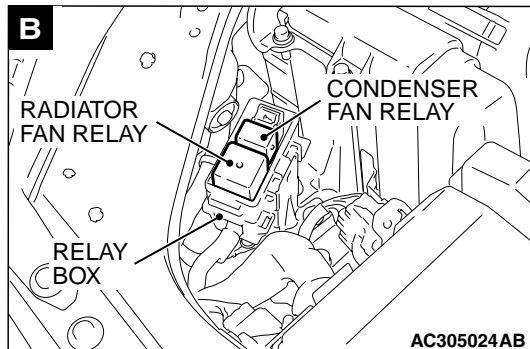
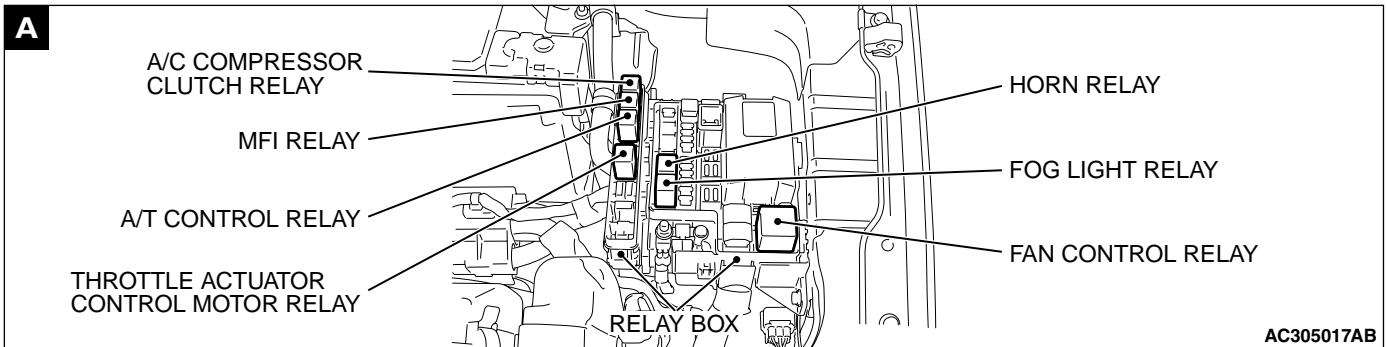
RELAY

M1701000400381

NAME	SYMBOL	NAME	SYMBOL
A/C compressor clutch relay	A	Fuel pump relay (2)	C
A/T control relay	A	Heated seat relay	C
Accessory socket relay	C	Horn relay	A
Blower relay	C	MFI relay	A
Condenser fan relay	B	Power window relay	C
Fan control relay	A	Radiator fan relay	B
Fog light relay	A	Rear window defogger relay	C
Fuel pump relay (1)	C	Throttle actuator control motor relay	A

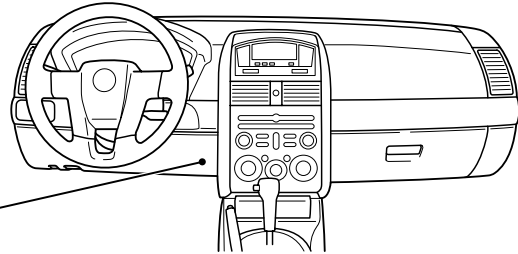
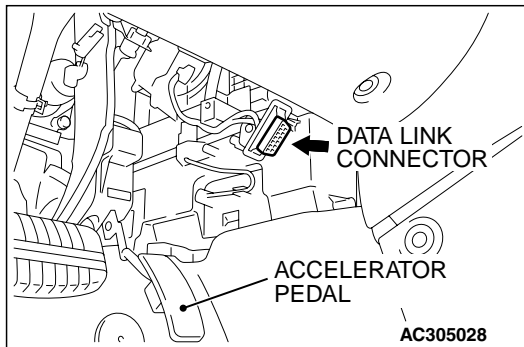


AC305445AC



INSPECTION TERMINAL

M1701000200354



AC305446AB

SENSOR

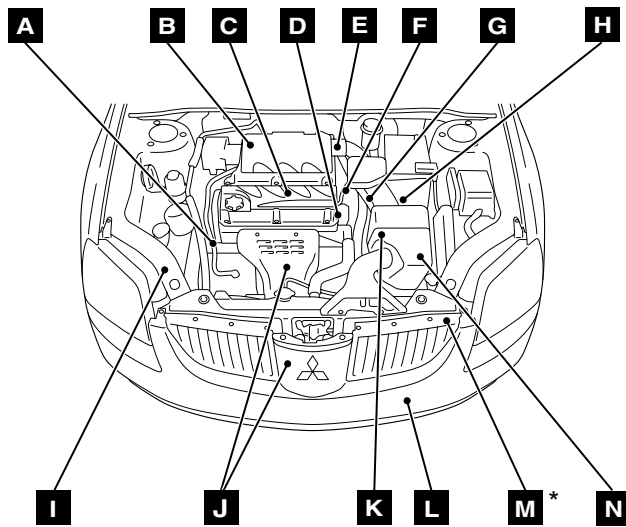
M1701000600415

NAME	SYMBOL	NAME	SYMBOL
A/C pressure sensor	I	Interior temperature sensor <Automatic A/C>	S
A/T control solenoid valve assembly (Incorporating transmission fluid temperature sensor)	N	Knock sensor	C
Accelerator pedal position sensor	R	Left bank heated oxygen sensor (front) <3.8L Engine>	P
Air thermo sensor	T	Left bank heated oxygen sensor (rear) <3.8L Engine>	P
Ambient temperature sensor	L	Manifold absolute pressure sensor	B
Camshaft position sensor	D	Mass airflow sensor	G
Crankshaft position sensor	A	Occupant classification sensor (LH), (RH)	X
Cylinder 1, 4 heated oxygen sensor (front) <2.4L Engine>	J	Output shaft speed sensor	H
Cylinder 1, 4 heated oxygen sensor (rear) <2.4L Engine>	J	Photo sensor <Automatic A/C>	Q
Cylinder 2, 3 heated oxygen sensor (front) <2.4L Engine>	J	Right bank heated oxygen sensor (front) <3.8L Engine>	O
Cylinder 2, 3 heated oxygen sensor (rear) <2.4L Engine>	J	Right bank heated oxygen sensor (rear) <3.8L Engine>	O
Engine coolant temperature sensor	F	Seat slide sensor	Z

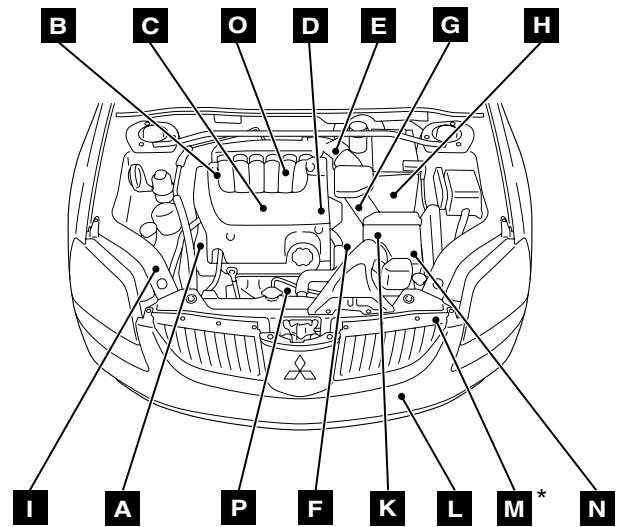
**COMPONENT LOCATIONS
SENSOR**

NAME	SYMBOL	NAME	SYMBOL
Front impact sensor	M	Side impact sensor <Side air bag>	a
Fuel level sensor (sub)	V	Sunroof assembly (Incorporating pulse sensor)	U
Fuel pump module (Incorporating fuel level sensor (main) and fuel tank temperature sensor)	W	Throttle body assembly (Incorporating throttle position sensor)	E
Fuel tank differential pressure sensor	V	Wheel speed sensor (front) <ABS>	Y
Input shaft speed sensor	K	Wheel speed sensor (rear) <ABS>	b

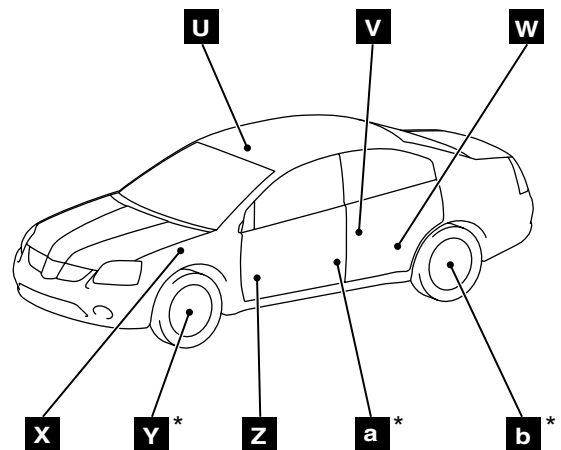
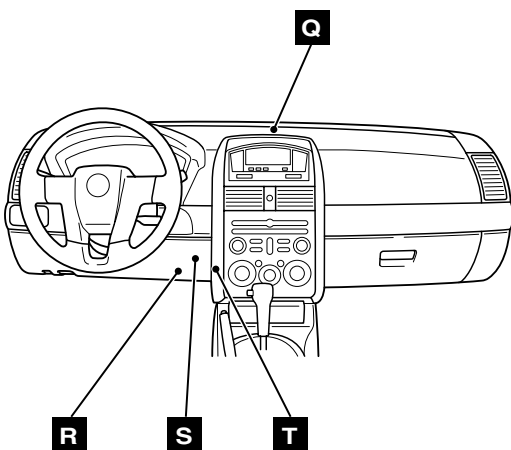
<2.4L ENGINE>



<3.8L ENGINE>

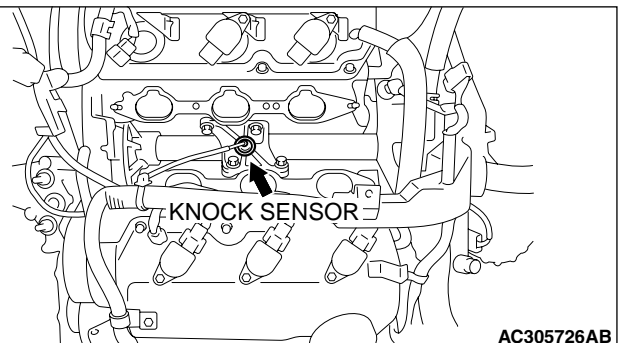
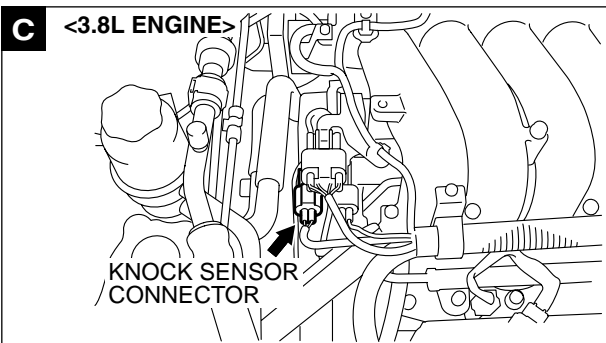
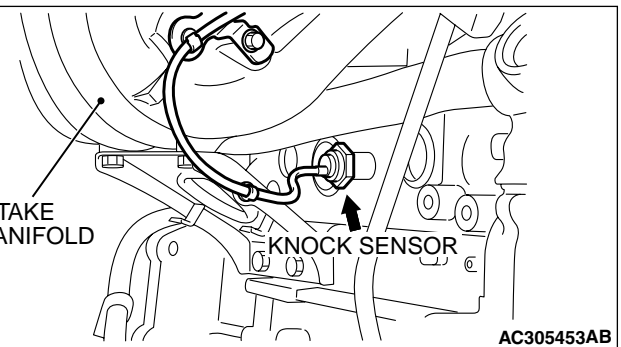
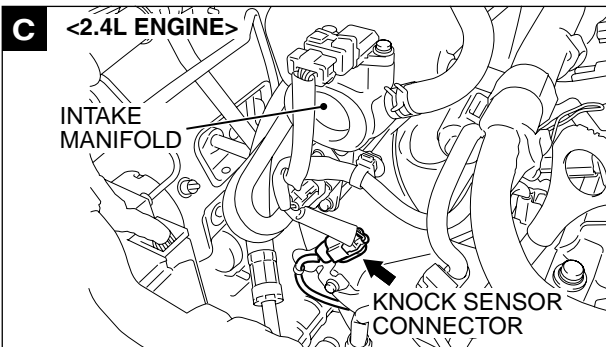
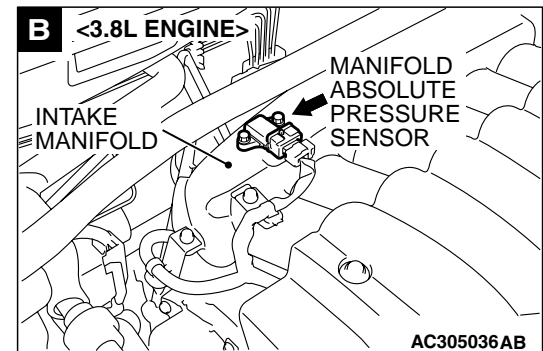
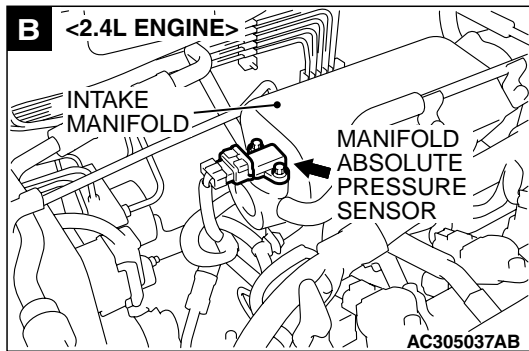
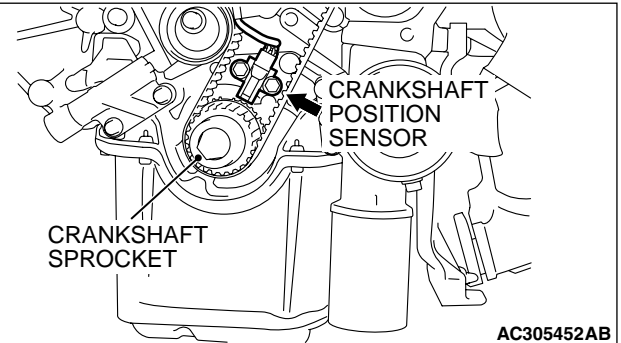
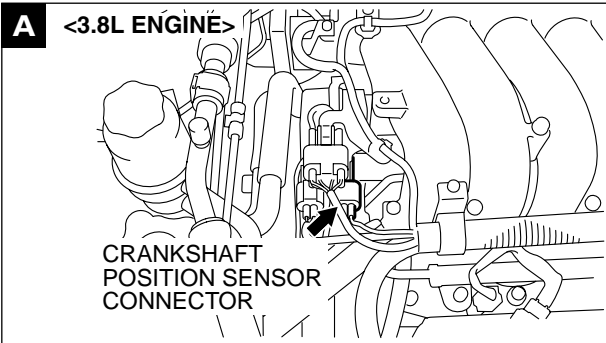
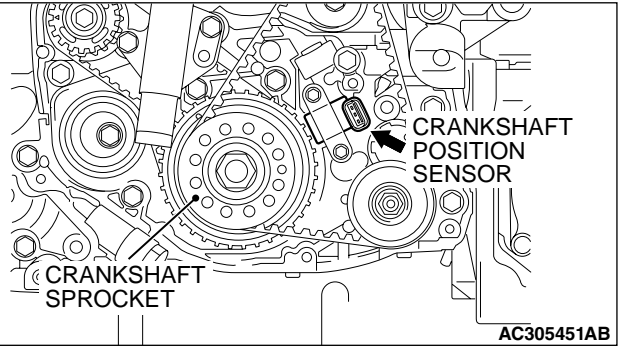
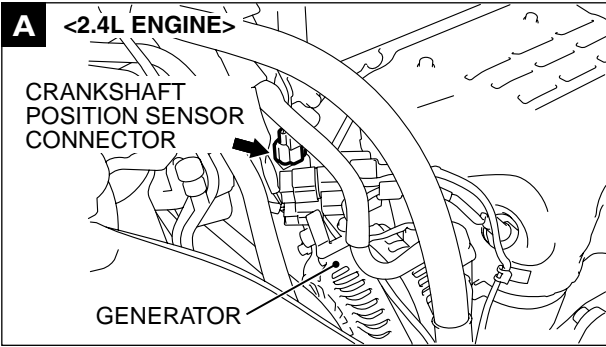


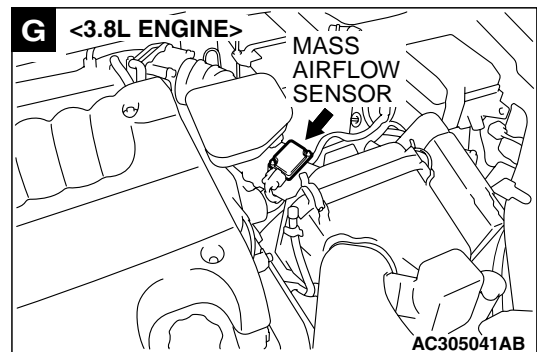
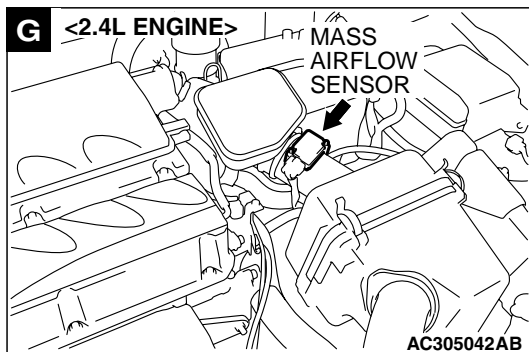
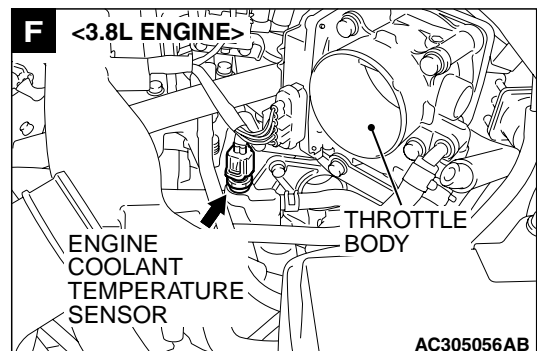
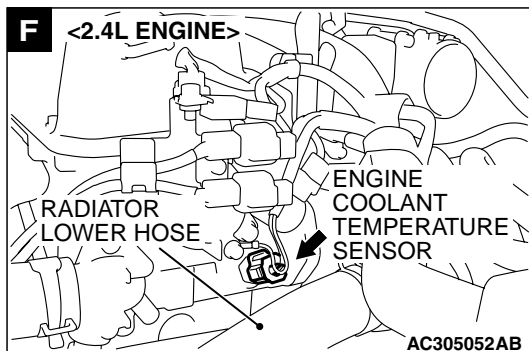
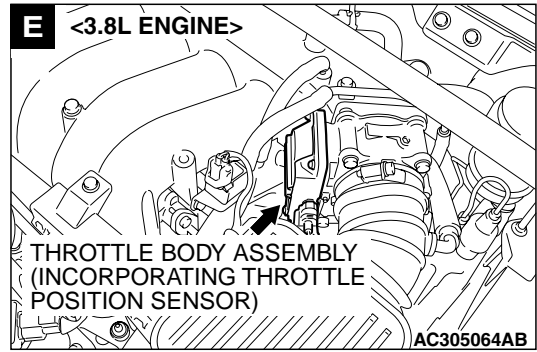
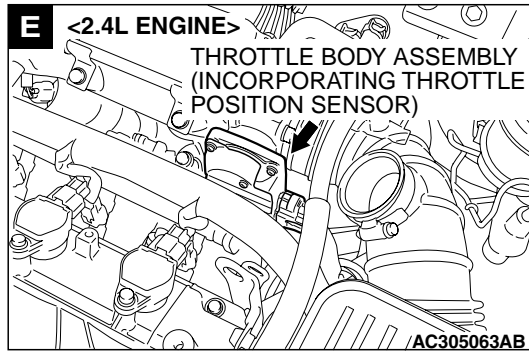
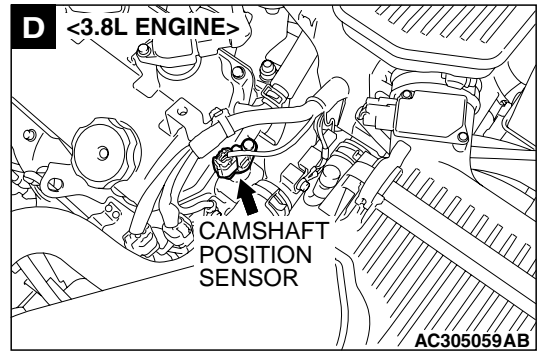
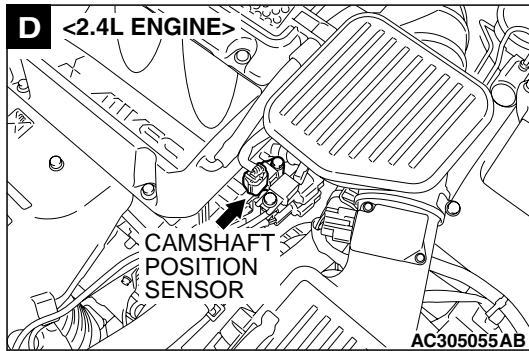
AC305448AB

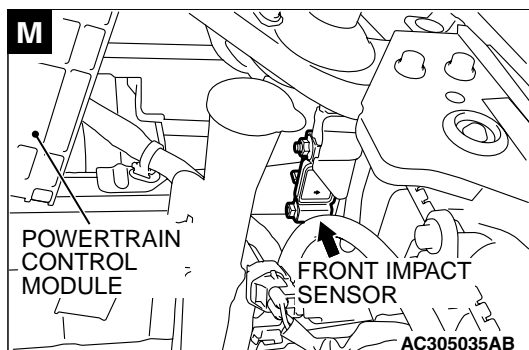
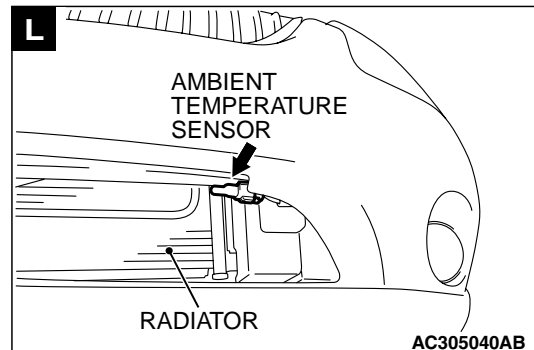
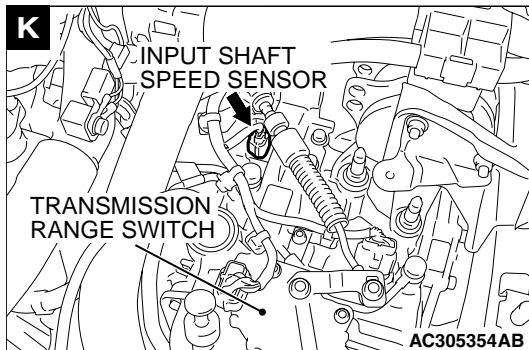
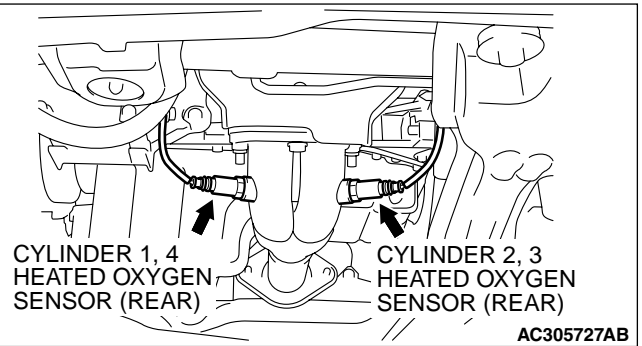
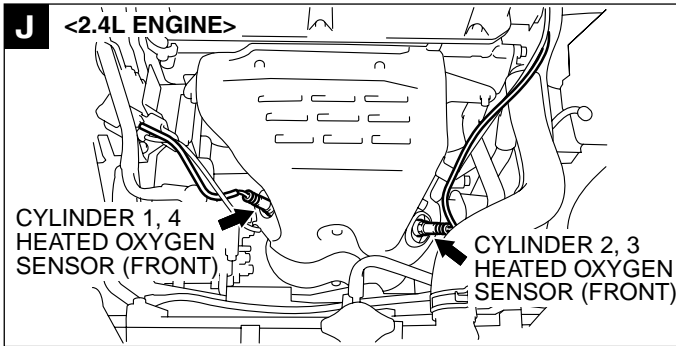
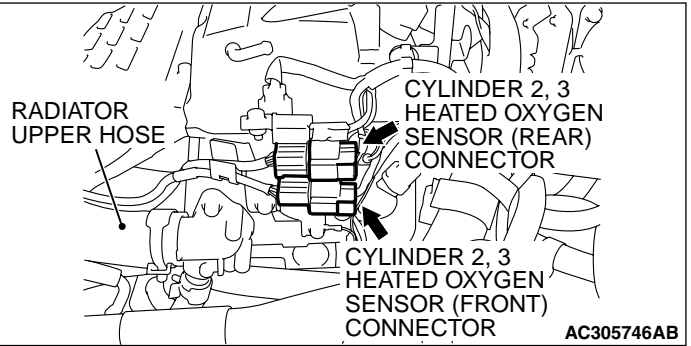
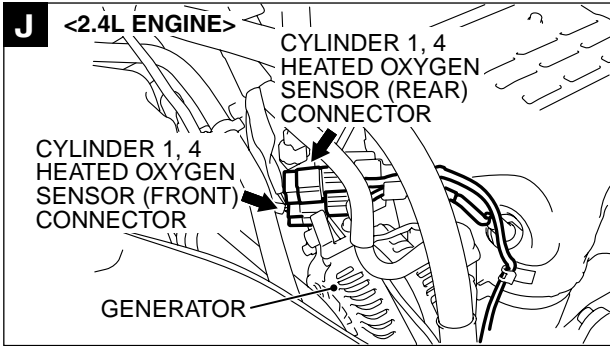
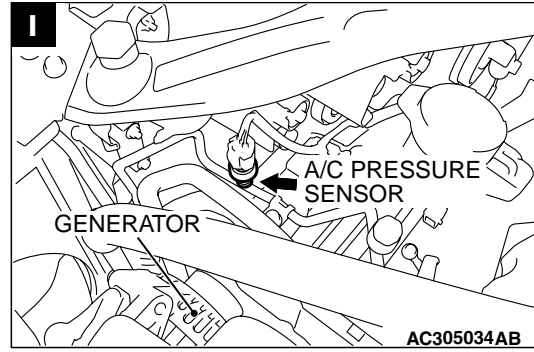
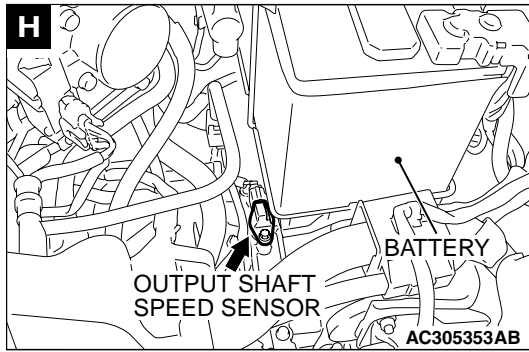


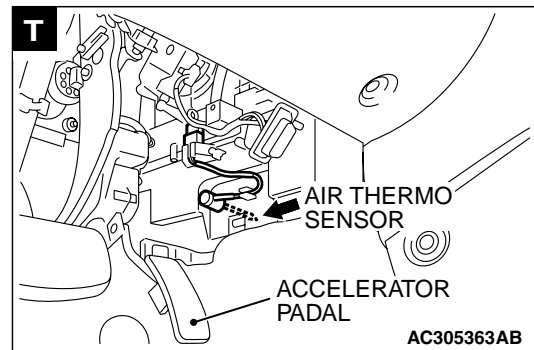
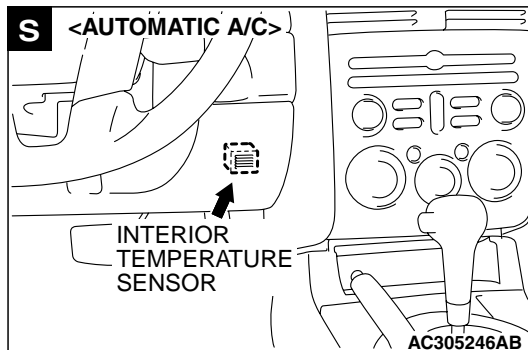
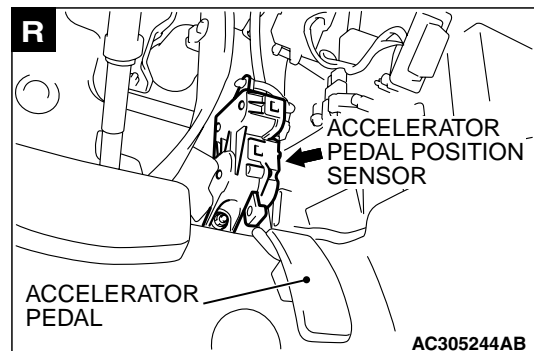
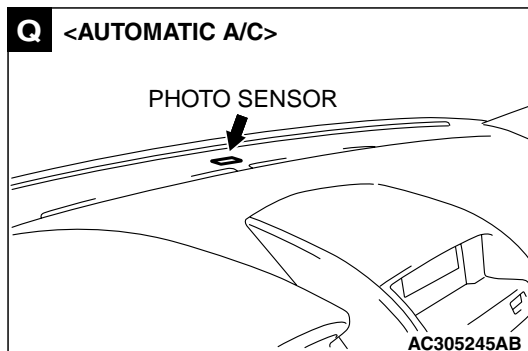
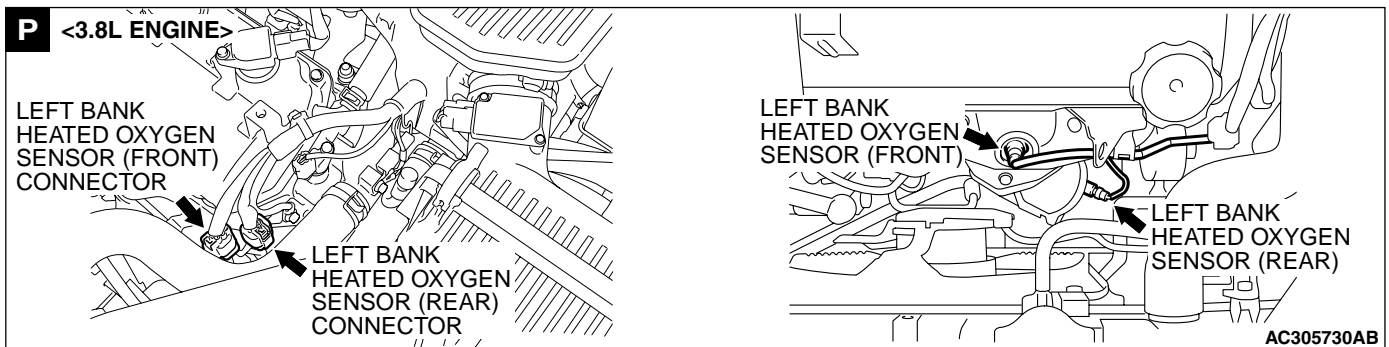
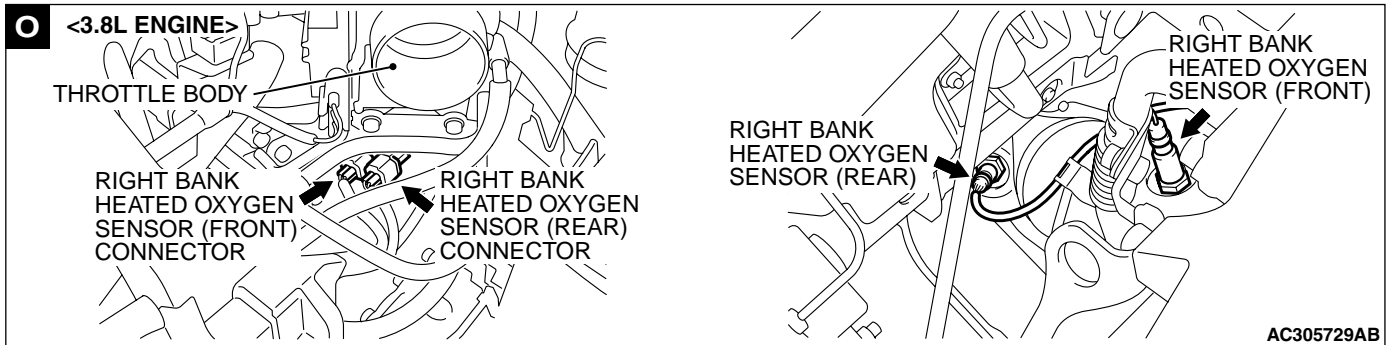
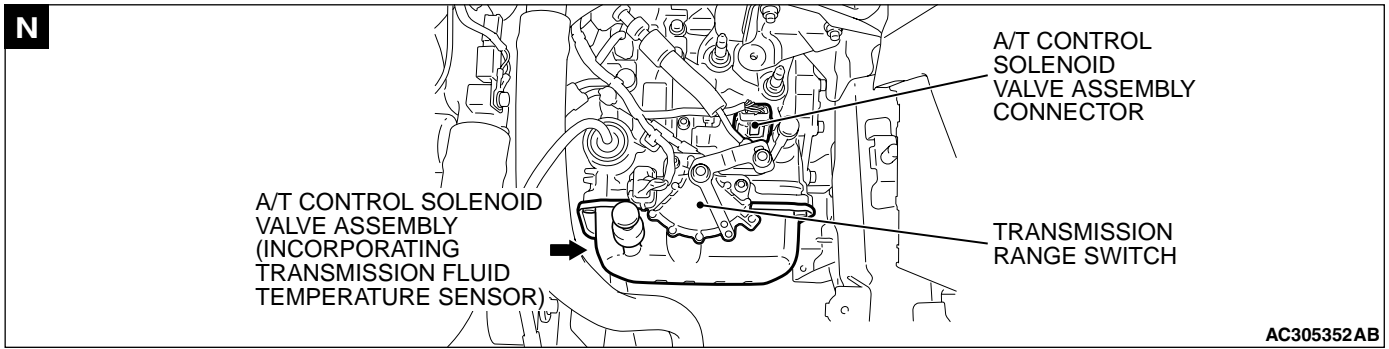
AC305449AB

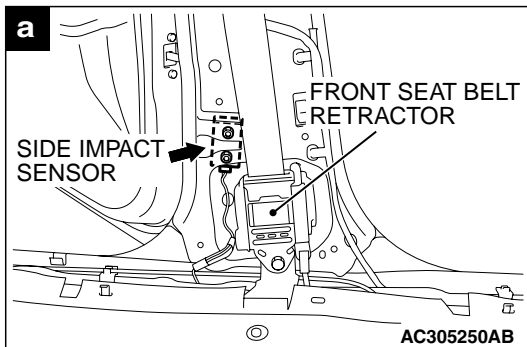
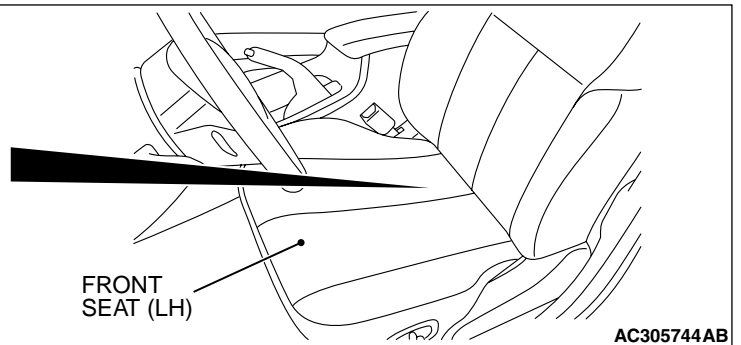
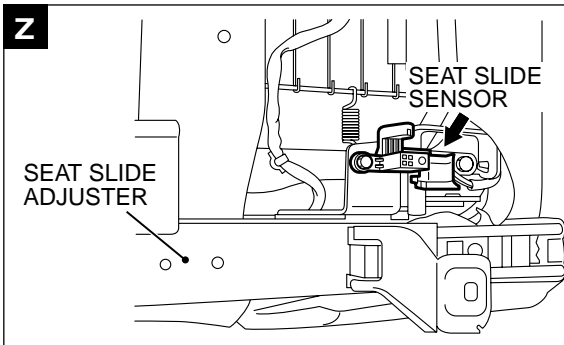
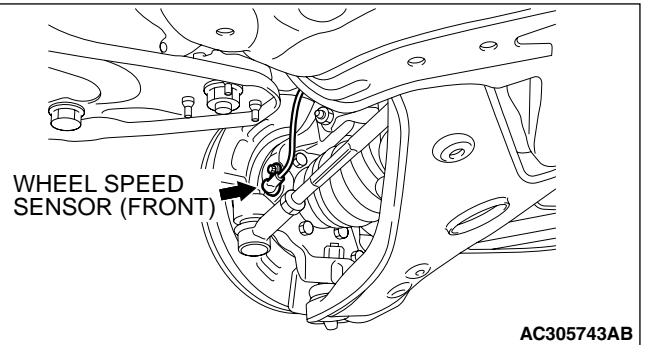
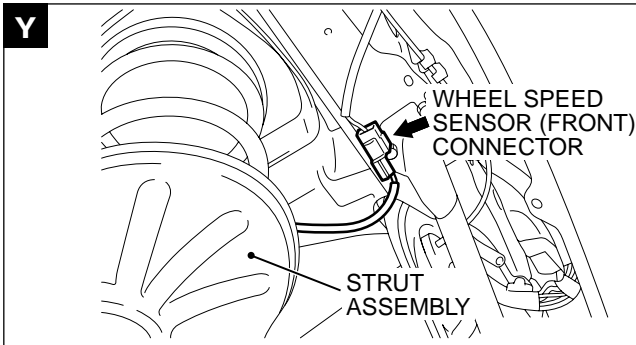
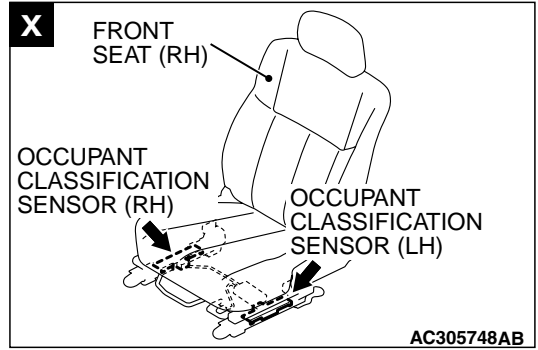
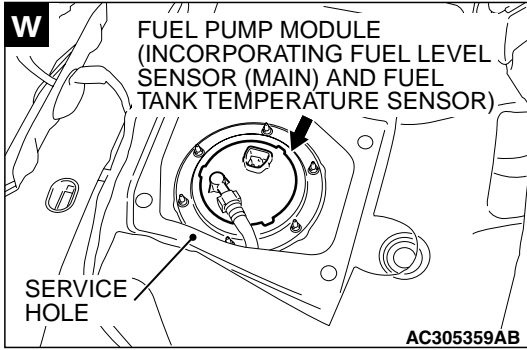
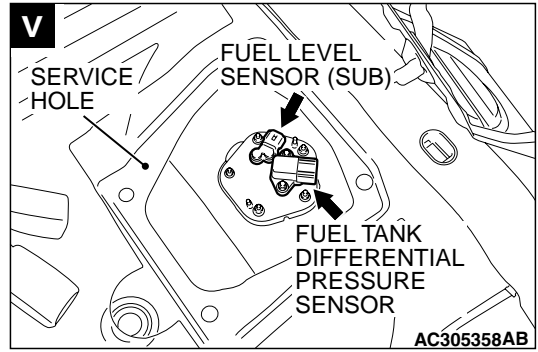
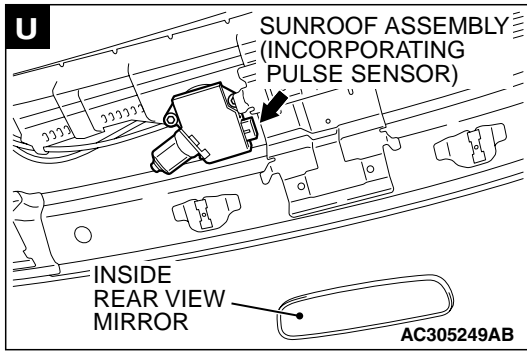
NOTE: The * symbols indicate equipped at both sides.

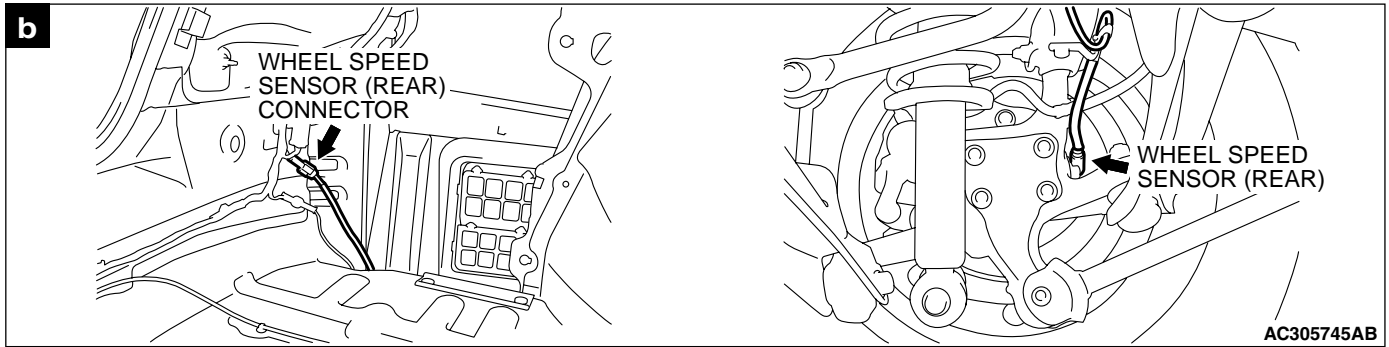








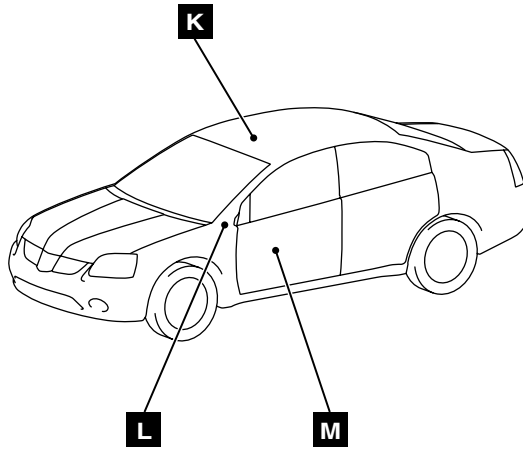
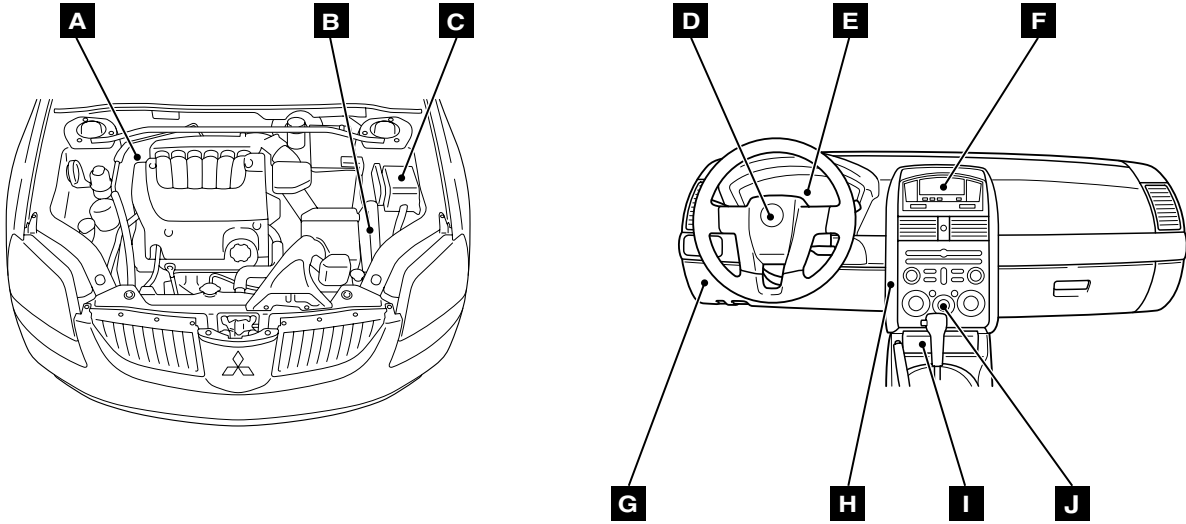




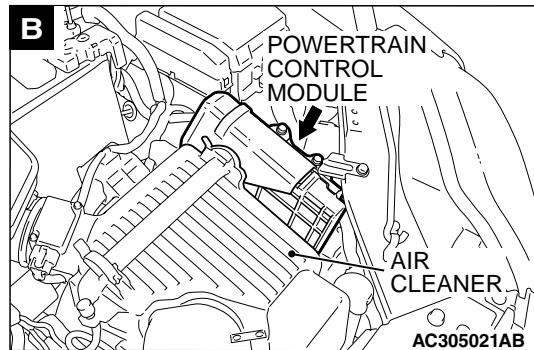
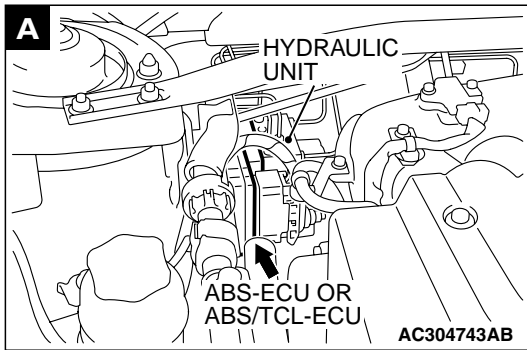
CONTROL UNIT

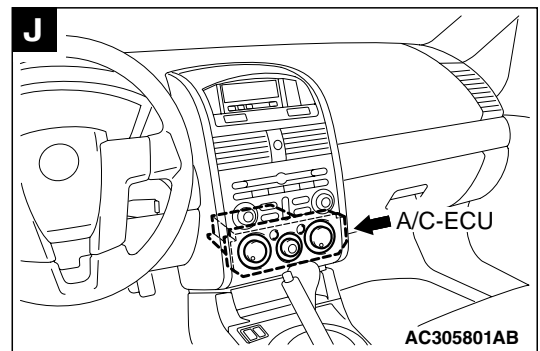
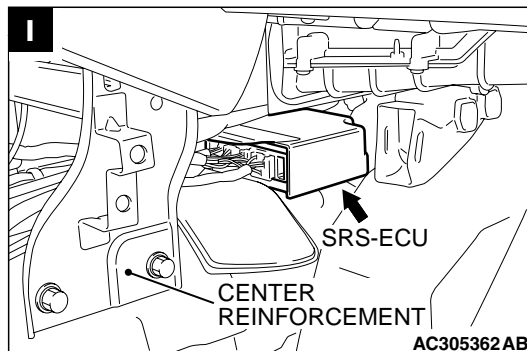
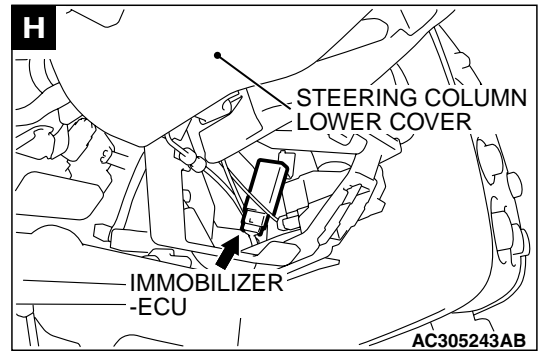
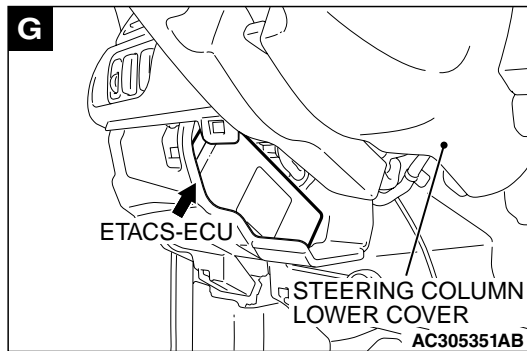
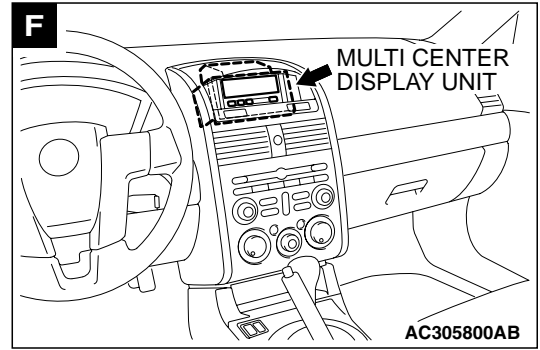
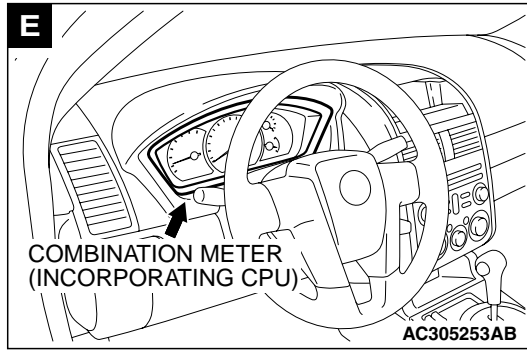
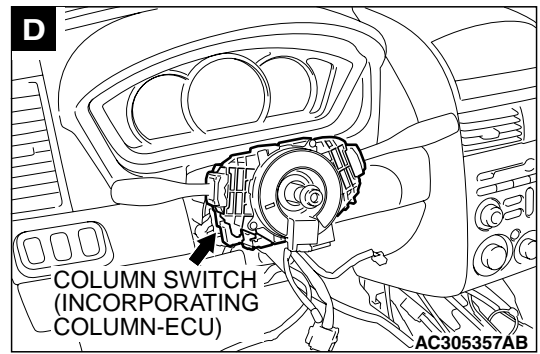
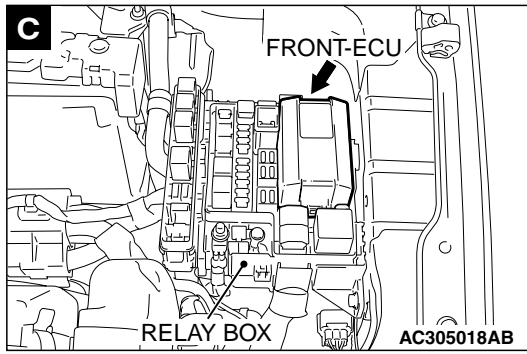
M1701000700360

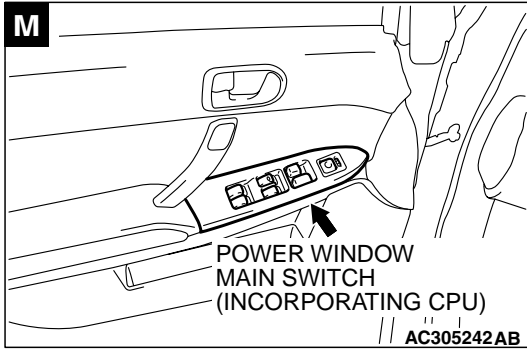
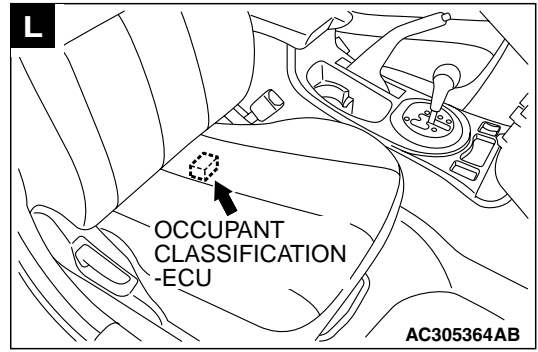
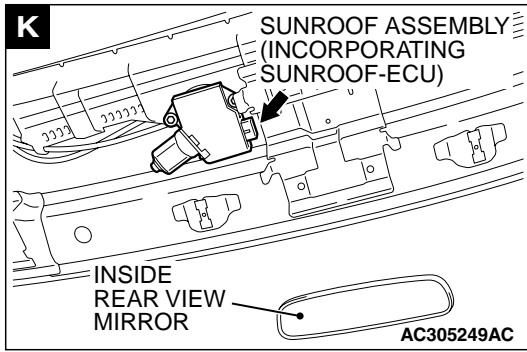
NAME	SYMBOL	NAME	SYMBOL
ABS-ECU or ABS/TCL-ECU	A	Multi center display unit	F
A/C-ECU	J	Occupant classification-ECU	L
Column switch (incorporating column-ECU)	D	Power window main switch (incorporating CPU)	M
Combination meter (incorporating CPU)	E	Powertrain control module	B
ETACS-ECU	G	SRS-ECU	I
Front-ECU	C	Sunroof assembly (incorporating sunroof-ECU)	K
Immobilizer-ECU	H		



AC305450AB





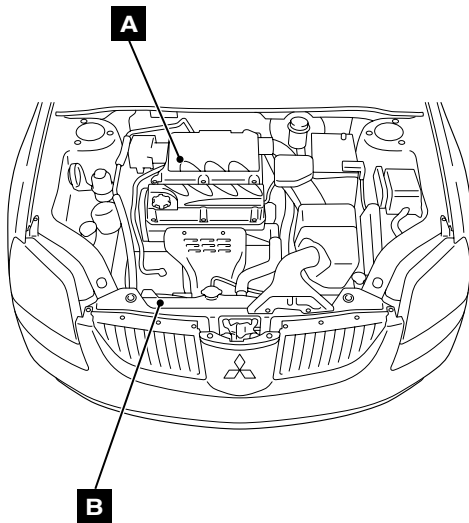


OTHER DEVICES

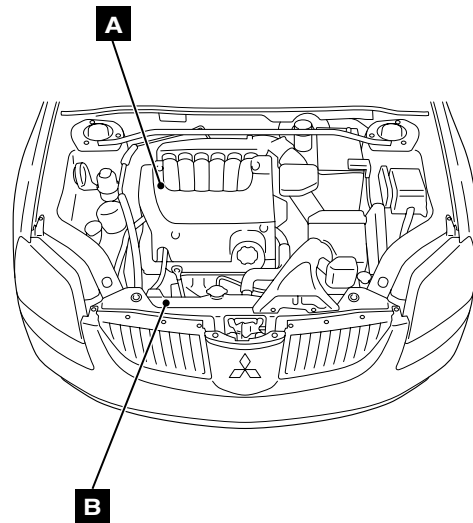
M1701005600302

NAME	SYMBOL	NAME	SYMBOL
A/C compressor assembly (incorporating A/C refrigerant temperature switch)	B	Power steering pressure switch	A

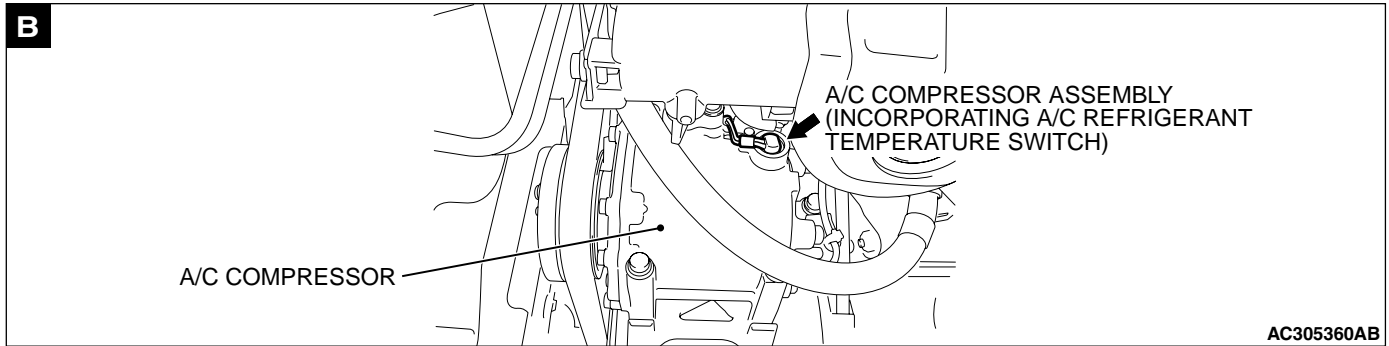
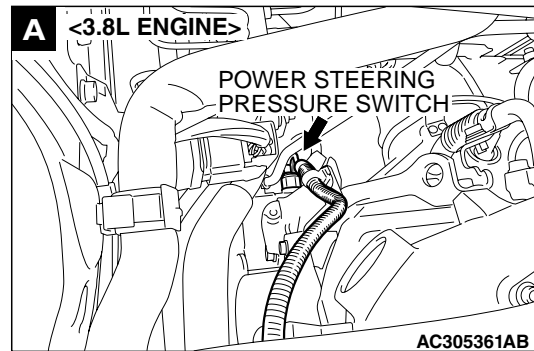
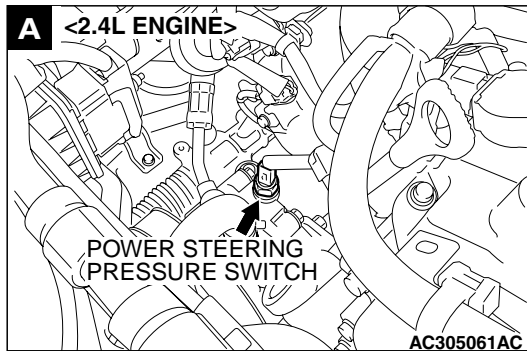
<2.4L ENGINE>



<3.8L ENGINE>



AC305448AC

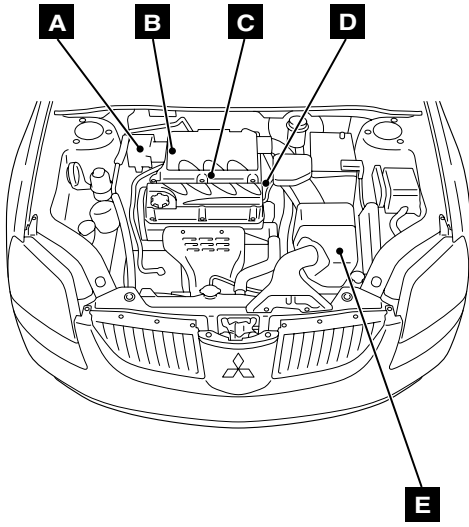


SOLENOID AND SOLENOID VALVE

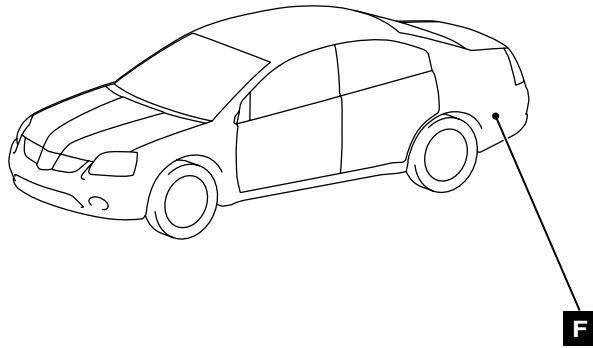
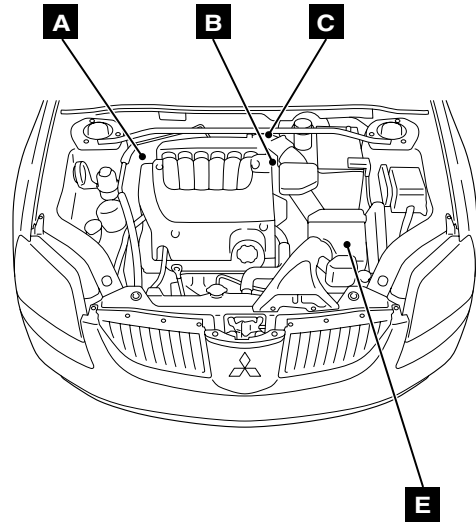
M170100800378

NAME	SYMBOL	NAME	SYMBOL
A/T control solenoid valve assembly	E	Evaporative emission ventilation solenoid	F
Engine oil control valve <2.4L Engine>	D	Exhaust gas recirculation valve	C
Evaporative emission purge solenoid	B	Hydraulic unit (incorporating ABS solenoid valve)	A

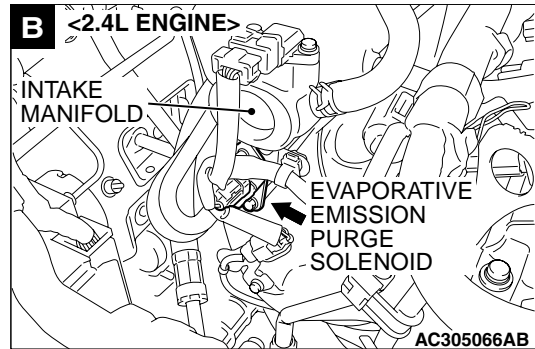
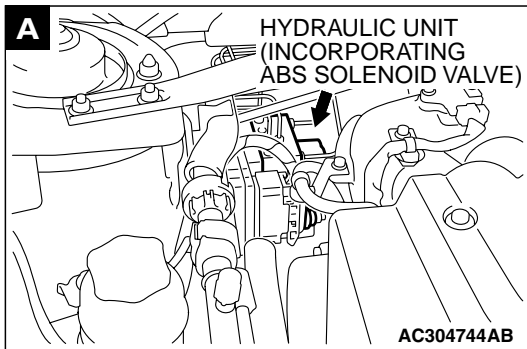
<2.4L ENGINE>

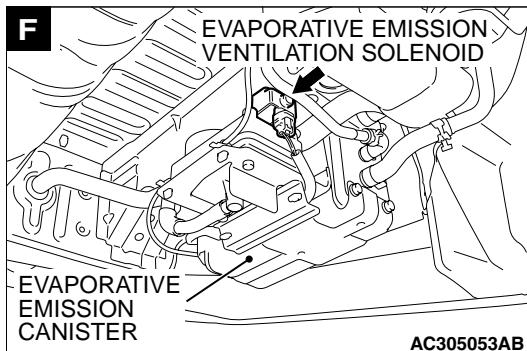
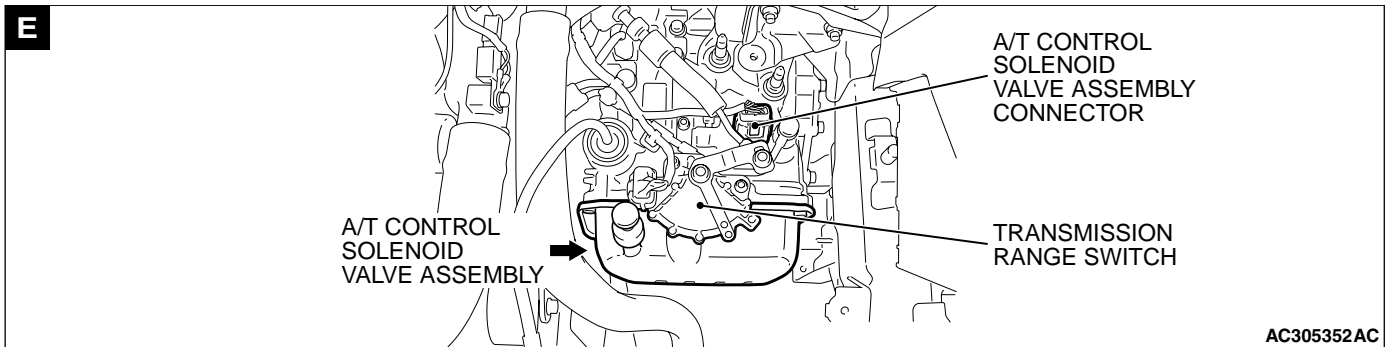
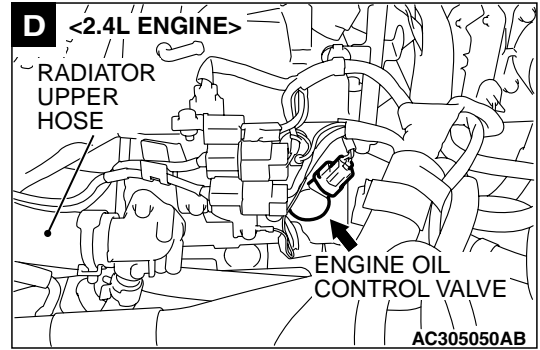
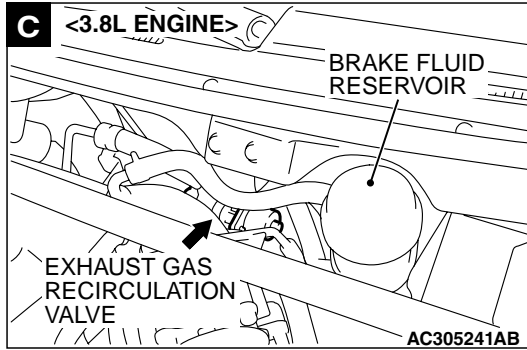
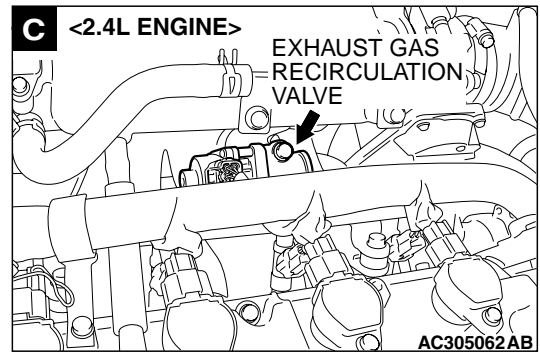
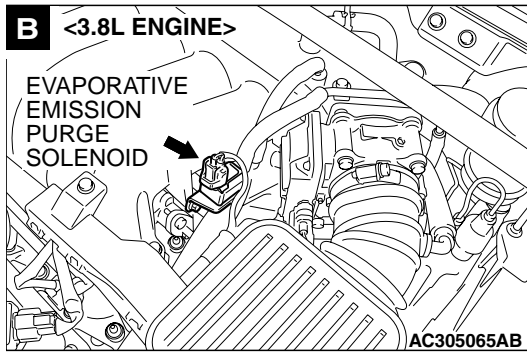


<3.8L ENGINE>



AC305853AB





NOTES