

GROUP 80

CONFIGURATION DIAGRAMS

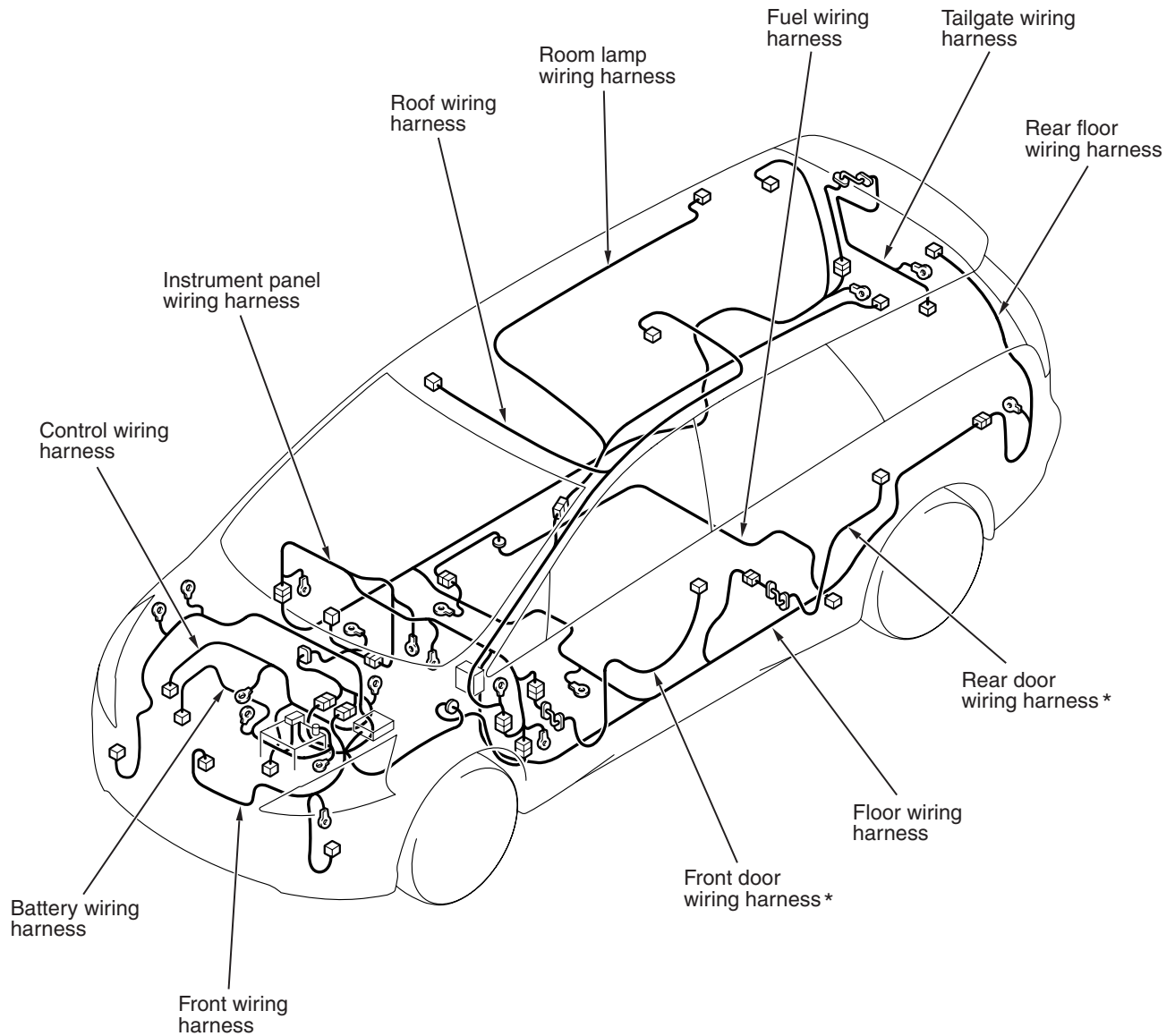
CONTENTS

OVERALL CONFIGURATION DIAGRAM		DASH PANEL <RHD>.....	80-13
.....	80-2		
OVERALL WIRING DIAGRAM <LHD>....	80-2	FLOOR	80-17
OVERALL WIRING DIAGRAM <RHD> ...	80-3	FLOOR <LHD>	80-17
		FLOOR <RHD>	80-18
ENGINE COMPARTMENT.....	80-4		
ENGINE COMPARTMENT <LHD>.....	80-4	ROOF	80-19
ENGINE COMPARTMENT <RHD>	80-5	ROOF <LHD>	80-19
		ROOF < RHD >	80-19
ENGINE AND TRANSMISSION.....	80-6		
ENGINE AND TRANSMISSION <LHD> ...	80-6	DOOR	80-20
ENGINE AND TRANSMISSION <RHD> ..	80-7	DOOR <LHD>	80-20
		DOOR <RHD>.....	80-21
DASH PANEL	80-9		
DASH PANEL <LHD>.....	80-9	TAILGATE	80-22

OVERALL CONFIGURATION DIAGRAM

OVERALL WIRING DIAGRAM <LHD>

M1801000100699



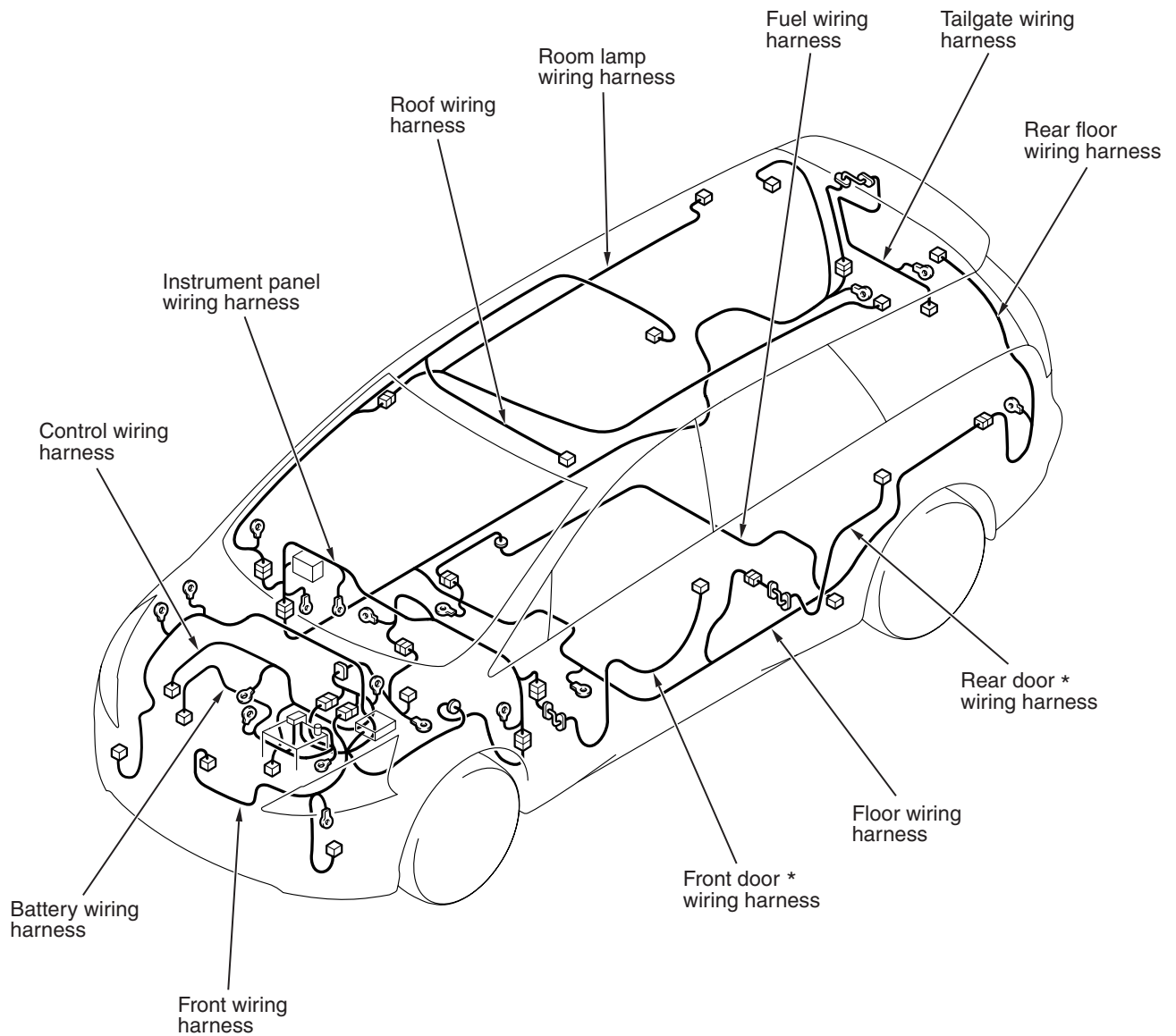
AC310351AB

NOTE:

1. This illustration shows only major wiring harnesses.
2. *: also equipped at the right side.

OVERALL WIRING DIAGRAM <RHD>

M1801000100707



AC310352AB

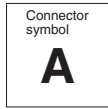
NOTE:

1. This illustration shows only major wiring harnesses.
2. *: also equipped at the right side.

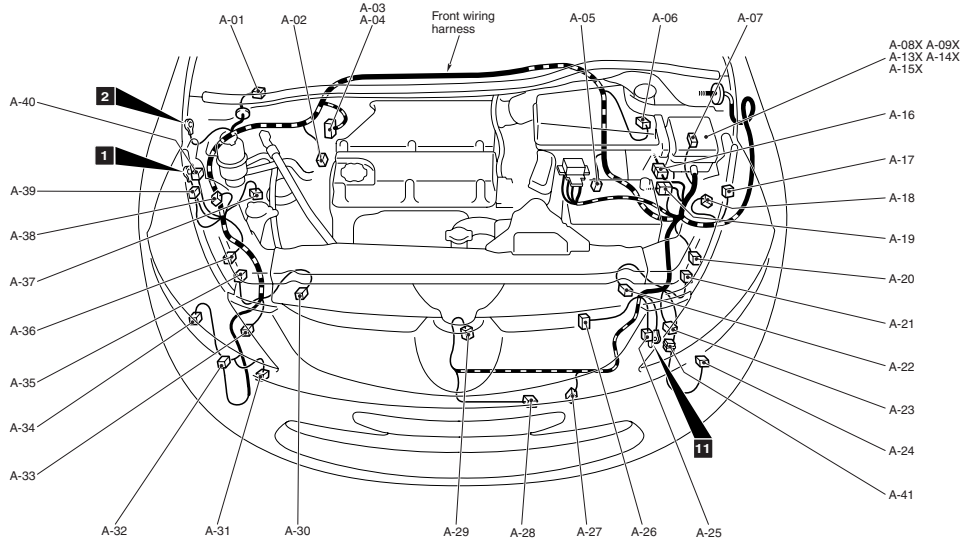
ENGINE COMPARTMENT

ENGINE COMPARTMENT <LHD>

M1801000301113



Connector colour code
 B : Black
 BR : Brown
 G : Green
 GR : Gray
 L : Blue
 None : Milk white
 O : Orange
 R : Red
 V : Violet
 Y : Yellow

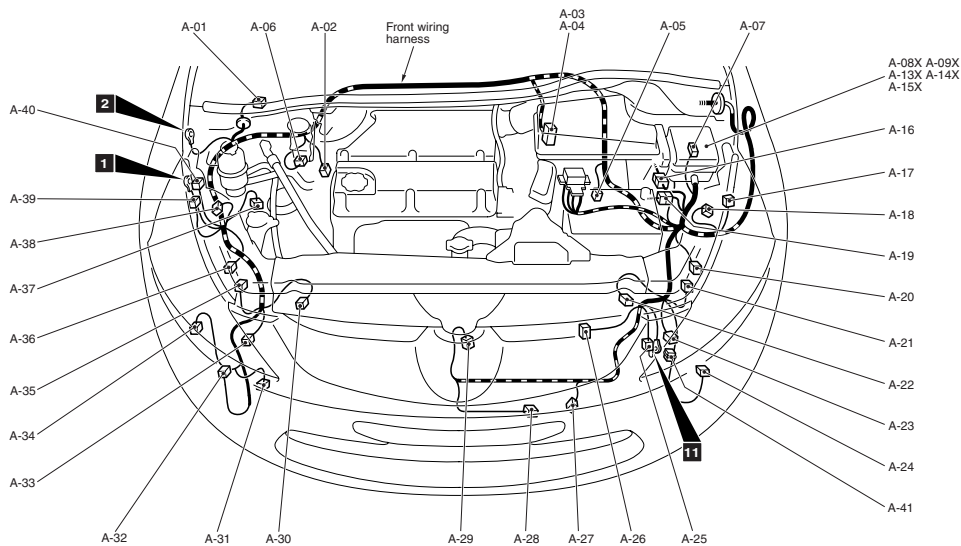
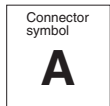


AC310245AB

A-01	(5-GR)	Windshield wiper motor	A-22	(2-Y)	Front impact sensor (LH)
A-02	(2-GR)	Wheel speed sensor (Front: RH)	A-23	(2-B)	Front turn-signal lamp (LH)
A-03	(26)	ABS-ECU <Vehicles without ASC>	A-24	(2-B)	Front fog lamp (LH)
A-04	(47)	ASC-ECU <Vehicles with ASC>	A-25	(6-GR)	Earth
A-05	(2-GR)	Wheel speed sensor (Front: LH)	A-26	(3-GR)	Fan controller
A-06	(2-GR)	Brake fluid level indicator switch	A-27	(1-B)	Horn (LO)
A-07	(6)	J/C (CAN 1)	A-28	(2-B)	Ambient temperature sensor
A-08X	(4)	Front fog lamp relay	A-29	(1-B)	Horn (HI)
A-09X	(4)	Horn relay	A-30	(2-Y)	Front impact sensor (RH)
A-13X	(4)	Fan control relay	A-31	(2-GR)	Headlamp washer motor
A-14X	(11)	Front-ECU	A-32	(2-B)	Front fog lamp (RH)
A-15X	(11)	Front-ECU	A-33	(2-B)	Front turn-signal lamp (RH)
A-16	(12-B)	Front wiring harness and control wiring harness combination	A-34	(2-GR)	Washer motor
A-17	(2-GR)	Position lamp (LH)	A-35	(2-GR)	Headlamp (HI: RH)
A-18	(2-B)	Headlamp (LO: LH)	A-36	(3-GR)	Headlamp leveling unit (RH)
A-19	(4-B)	Front wiring harness and battery wiring harness combination	A-37	(3-B)	A/C pressure sensor
A-20	(3-GR)	Headlamp leveling unit (LH)	A-38	(2-B)	Headlamp (LO: RH)
A-21	(2-GR)	Headlamp (HI: LH)	A-39	(2-GR)	Position lamp (RH)
			A-40	(6-GR)	Earth
			A-41	(4-B)	Spare connector (For trailer)

ENGINE COMPARTMENT <RHD>

M1801000301124



Connector colour code
 B : Black
 BR : Brown
 G : Green
 GR : Gray
 L : Blue
 None : Milk white
 O : Orange
 R : Red
 V : Violet
 Y : Yellow

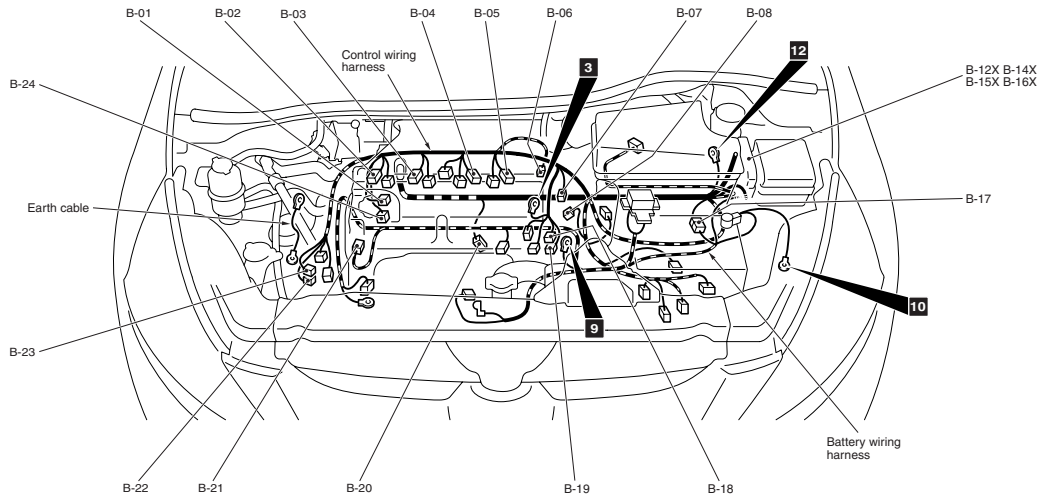
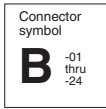
AC310248AB

A-01	(5-GR)	Windshield wiper motor	A-22	(2-Y)	Front impact sensor (LH)
A-02	(2-GR)	Wheel speed sensor (Front: RH)	A-23	(2-B)	Front turn-signal lamp (LH)
A-03	(26)	ABS-ECU <Vehicles without ASC>	A-24	(2-B)	Front fog lamp (LH)
A-04	(47)	ASC-ECU <Vehicles with ASC>	A-25	(6-GR)	Earth
A-05	(2-GR)	Wheel speed sensor (Front: LH)	A-26	(3-GR)	Fan controller
A-06	(2-GR)	Brake fluid level indicator switch	A-27	(1-B)	Horn (LO)
A-07	(6)	J/C (CAN 1)	A-28	(2-B)	Ambient temperature sensor
A-08X	(4)	Front fog lamp relay	A-29	(1-B)	Horn (HI)
A-09X	(4)	Horn relay	A-30	(2-Y)	Front impact sensor (RH)
A-13X	(4)	Fan control relay	A-31	(2-GR)	Headlamp washer motor
A-14X	(11)	Front-ECU	A-32	(2-B)	Front fog lamp (RH)
A-15X	(11)	Front-ECU	A-33	(2-B)	Front turn-signal lamp (RH)
A-16	(12-B)	Front wiring harness and control wiring harness combination	A-34	(2-GR)	Washer motor
A-17	(2-GR)	Position lamp (LH)	A-35	(2-GR)	Headlamp (HI: RH)
A-18	(2-B)	Headlamp (LO: LH)	A-36	(3-GR)	Headlamp leveling unit (RH)
A-19	(4-B)	Front wiring harness and battery wiring harness combination	A-37	(3-B)	A/C pressure sensor
A-20	(3-GR)	Headlamp leveling unit (LH)	A-38	(2-B)	Headlamp (LO: RH)
A-21	(2-GR)	Headlamp (HI: LH)	A-39	(2-GR)	Position lamp (RH)
			A-40	(6-GR)	Earth
			A-41	(4-B)	Spare connector (For trailer)

ENGINE AND TRANSMISSION

ENGINE AND TRANSMISSION <LHD>

M1801000400935



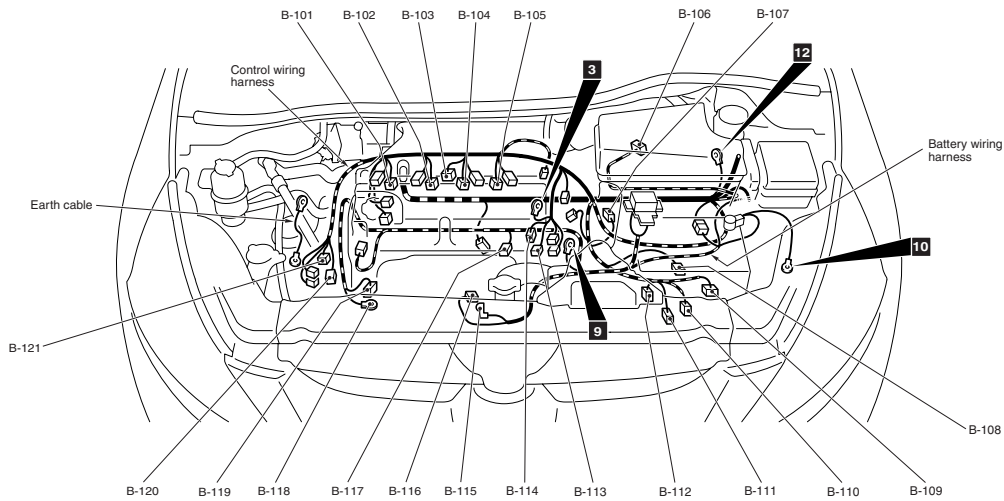
Connector colour code
 B : Black
 BR : Brown
 G : Green
 GR : Gray
 L : Blue
 None : Milk white
 O : Orange
 R : Red
 V : Violet
 Y : Yellow

AC310306AB

B-01	(2-B)	Purge control solenoid valve	B-18	(4-B)	Cylinder 2, 3 heated oxygen sensor (Rear)
B-02	(3-GR)	Ignition coil 1	B-19	(4-GR)	Cylinder 2, 3 heated oxygen sensor (Front)
B-03	(3-GR)	Ignition coil 2	B-20	(3-B)	Power steering fluid pressure sensor
B-04	(3-GR)	Ignition coil 3	B-21	(2-B)	Engine oil pan oil level sensor
B-05	(3-GR)	Ignition coil 4	B-22	(4-GR)	Cylinder 1, 4 heated oxygen sensor (Front)
B-06	(6-B)	Electronic-controlled throttle valve	B-23	(4-B)	Cylinder 1, 4 heated oxygen sensor (Rear)
B-07	(2-B)	Engine oil control valve	B-24	(2-GR)	Detonation sensor
B-08	(2-B)	Engine coolant temperature sensor			
B-12X	(4)	Throttle valve control servo relay			
B-14X	(4)	A/T control relay			
B-15X	(4)	Engine control relay			
B-16X	(4)	A/C compressor relay			
B-17	(8-B)	Control wiring harness and battery wiring harness combination			

ENGINE AND TRANSMISSION <LHD> (CONTINUED)

Connector symbol
B
-101
thru
-121



Connector colour code
B : Black
BR : Brown
G : Green
GR : Gray
L : Blue
None : Milk white
O : Orange
R : Red
V : Violet
Y : Yellow

AC310306AC

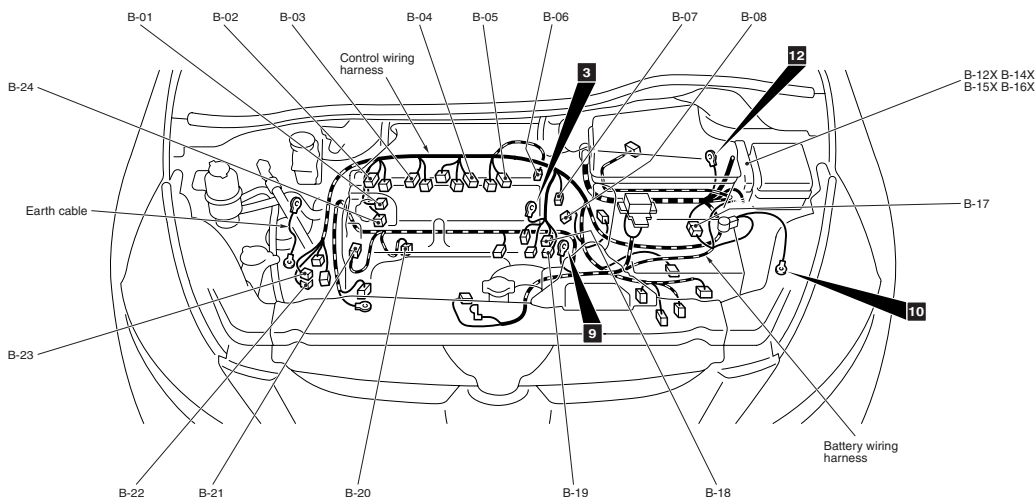
- B-101 (2-GR) Injector 1
- B-102 (2-GR) Injector 2
- B-103 (6-GR) Exhaust gas recirculation valve
- B-104 (2-GR) Injector 3
- B-105 (2-GR) Injector 4
- B-106 (4-GR) Air flow sensor
- B-107 (3-B) Vehicle speed sensor <M/T>
- B-108 (3-GR) Output shaft speed sensor <A/T>
- B-109 (10-GR) A/T control solenoid valve assembly
- B-110 (2-B) Back-up lamp switch <M/T>
- B-111 (10-B) Inhibitor switch <A/T>
- B-112 (3-B) Input shaft speed sensor <A/T>

- B-113 (1-B) Capacitor
- B-114 (3-B) Camshaft position sensor
- B-115 (1) Starter
- B-116 (1-B) Starter
- B-117 (1-B) Engine oil pressure switch
- B-118 (1) Alternator
- B-119 (4-GR) Alternator
- B-120 (1-B) A/C compressor assembly
- B-121 (3-GR) Crank angle sensor

ENGINE AND TRANSMISSION <RHD>

M1801000400946

Connector symbol
B
-01
thru
-24



Connector colour code
B : Black
BR : Brown
G : Green
GR : Gray
L : Blue
None : Milk white
O : Orange
R : Red
V : Violet
Y : Yellow

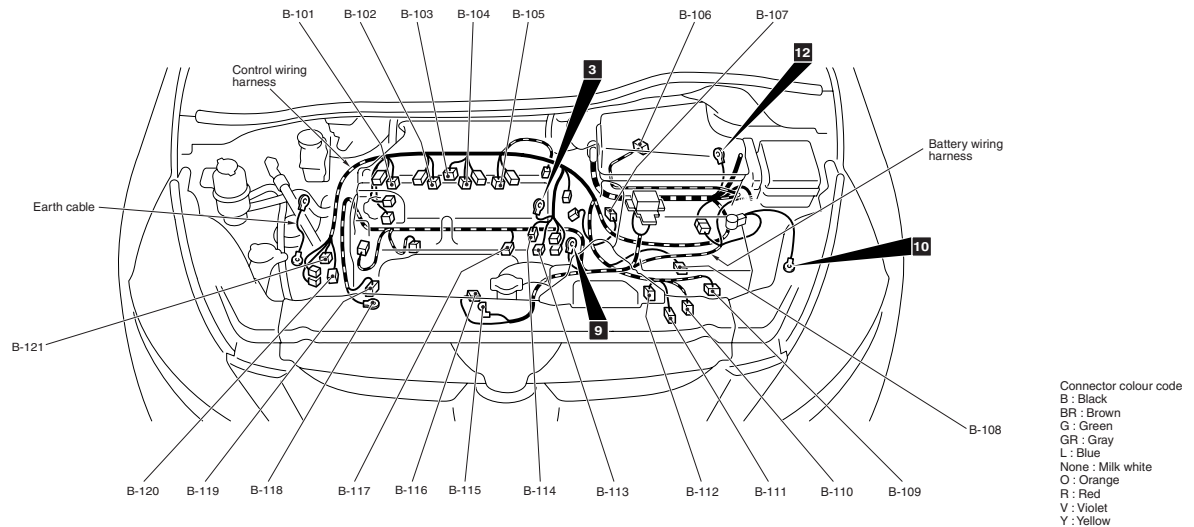
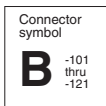
AC310309AB

- B-01 (2-B) Purge control solenoid valve
- B-02 (3-GR) Ignition coil 1
- B-03 (3-GR) Ignition coil 2
- B-04 (3-GR) Ignition coil 3

- B-05 (3-GR) Ignition coil 4
- B-06 (6-B) Electronic-controlled throttle valve
- B-07 (2-B) Engine oil control valve
- B-08 (2-B) Engine coolant temperature sensor
- B-12X (4) Throttle valve control servo relay

B-14X	(4)	A/T control relay
B-15X	(4)	Engine control relay
B-16X	(4)	A/C compressor relay
B-17	(8-B)	Control wiring harness and battery wiring harness combination
B-18	(4-B)	Cylinder 2, 3 heated oxygen sensor (Rear)
B-19	(4-GR)	Cylinder 2, 3 heated oxygen sensor (Front)
B-20	(3-B)	Power steering fluid pressure sensor
B-21	(2-B)	Engine oil pan oil level sensor
B-22	(4-GR)	Cylinder 1, 4 heated oxygen sensor (Front)
B-23	(4-B)	Cylinder 1, 4 heated oxygen sensor (Rear)
B-24	(2-GR)	Detonation sensor

ENGINE AND TRANSMISSION <RHD> (CONTINUED)



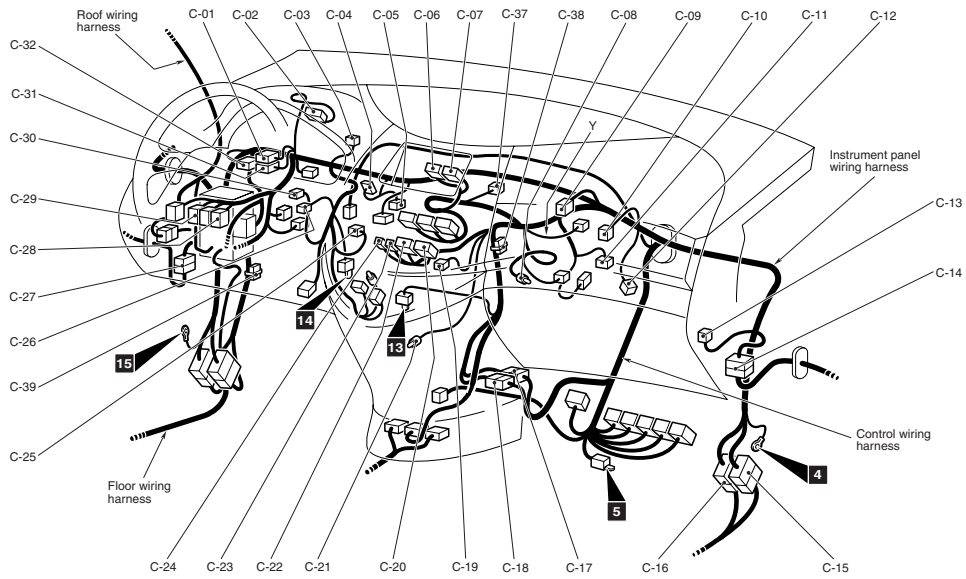
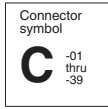
AC310309AC

B-101	(2-GR)	Injector 1	B-112	(3-B)	Input shaft speed sensor <A/T>
B-102	(2-GR)	Injector 2	B-113	(1-B)	Capacitor
B-103	(6-GR)	Exhaust gas recirculation valve	B-114	(3-B)	Camshaft position sensor
B-104	(2-GR)	Injector 3	B-115	(1)	Starter
B-105	(2-GR)	Injector 4	B-116	(1-B)	Starter
B-106	(4-GR)	Air flow sensor	B-117	(1-B)	Engine oil pressure switch
B-107	(3-B)	Vehicle speed sensor <M/T>	B-118	(1)	Alternator
B-108	(3-GR)	Output shaft speed sensor <A/T>	B-119	(4-GR)	Alternator
B-109	(10-GR)	A/T control solenoid valve assembly	B-120	(1-B)	A/C compressor assembly
B-110	(2-B)	Back-up lamp switch <M/T>	B-121	(3-GR)	Crank angle sensor
B-111	(10-B)	Inhibitor switch <A/T>			

DASH PANEL

DASH PANEL <LHD>

M1801000600887

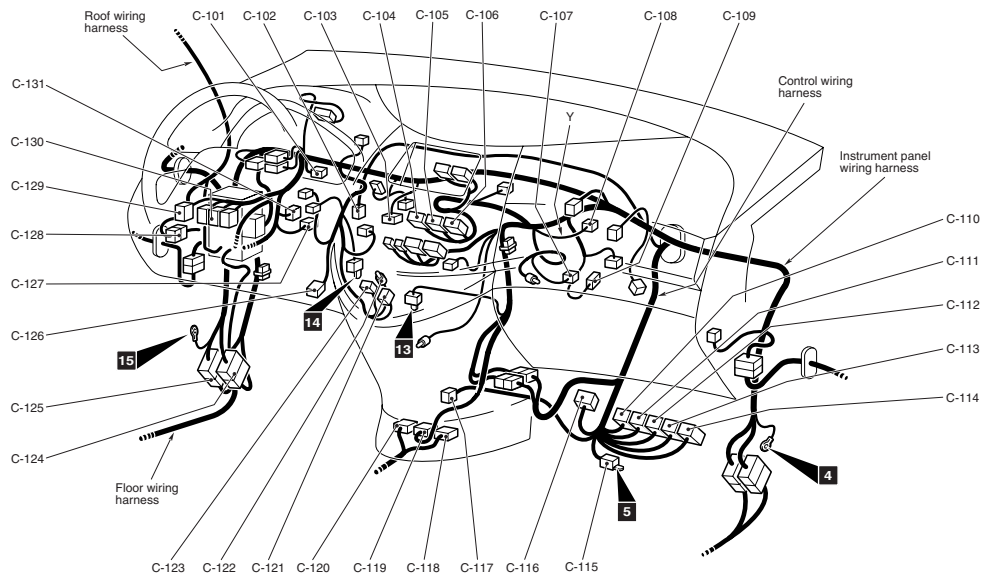
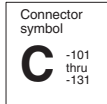


Connector colour code
 B : Black
 BR : Brown
 G : Green
 GR : Gray
 L : Blue
 None : Milk white
 O : Orange
 R : Red
 V : Violet
 Y : Yellow

AC310236AB

C-01	(33)	J/C (6)	C-18	(10)	Instrument panel wiring harness and control wiring harness combination
C-02	(40)	Combination meter	C-19	(6-GR)	Rear fan switch
C-03	(5)	Photo sensor	C-20	(14)	Radio and CD player
C-04	(7-GR)	Mode selection damper control motor and potentiometer	C-21	(2)	Ashtray illumination lamp
C-05	(2)	Air thermo sensor	C-22	(14)	Radio and CD player
C-06	(16-B)	Centre display	C-23	(1-B)	Radio and CD player
C-07	(20-B)	Centre display	C-24	(1)	Glass antenna amp
C-08	(2)	Glove box lamp	C-25	(3)	Passenger's air bag off indicator lamp
C-09	(22-GR)	J/C (CAN 2)	C-26	(2)	Interior temperature sensor
C-10	(3)	Outside/ inside air selection damper control motor	C-27	(32)	Instrument panel wiring harness and front door wiring harness (LH) combination
C-11	(7)	Front air mixing damper control motor and potentiometer	C-28	(6-B)	TCL off switch
C-12	(4)	Front power transistor	C-29	(6-GR)	Headlamp leveling switch
C-13	(2)	Front blower motor	C-30	(6)	PTC heater switch
C-14	(32)	Instrument panel wiring harness and front door wiring harness (RH) combination	C-31	(33)	J/C (5)
C-15	(38)	Instrument panel wiring harness and floor wiring harness combination	C-32	(33)	J/C (7)
C-16	(43)	Instrument panel wiring harness and floor wiring harness combination	C-37	(10)	Jumper connector
C-17	(18)	Instrument panel wiring harness and control wiring harness combination	C-38	(10)	Spare connector (For navigation system)
			C-39	(4)	Spare connector (For trailer)

DASH PANEL <LHD> (CONTINUED)

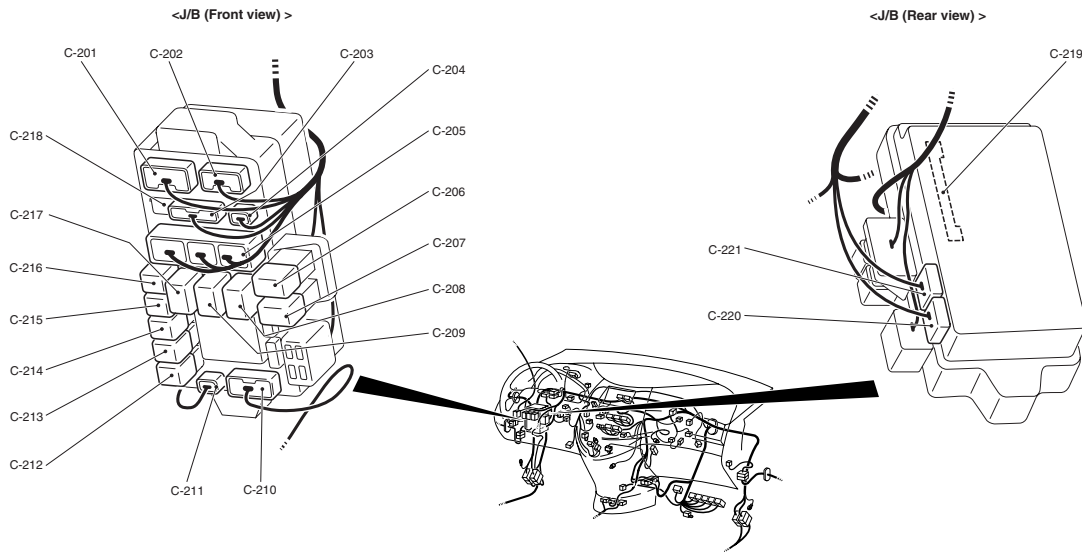
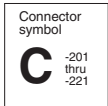


Connector colour code
 B : Black
 BR : Brown
 G : Green
 GR : Gray
 L : Blue
 None : Milk white
 O : Orange
 R : Red
 V : Violet
 Y : Yellow

AC310236AC

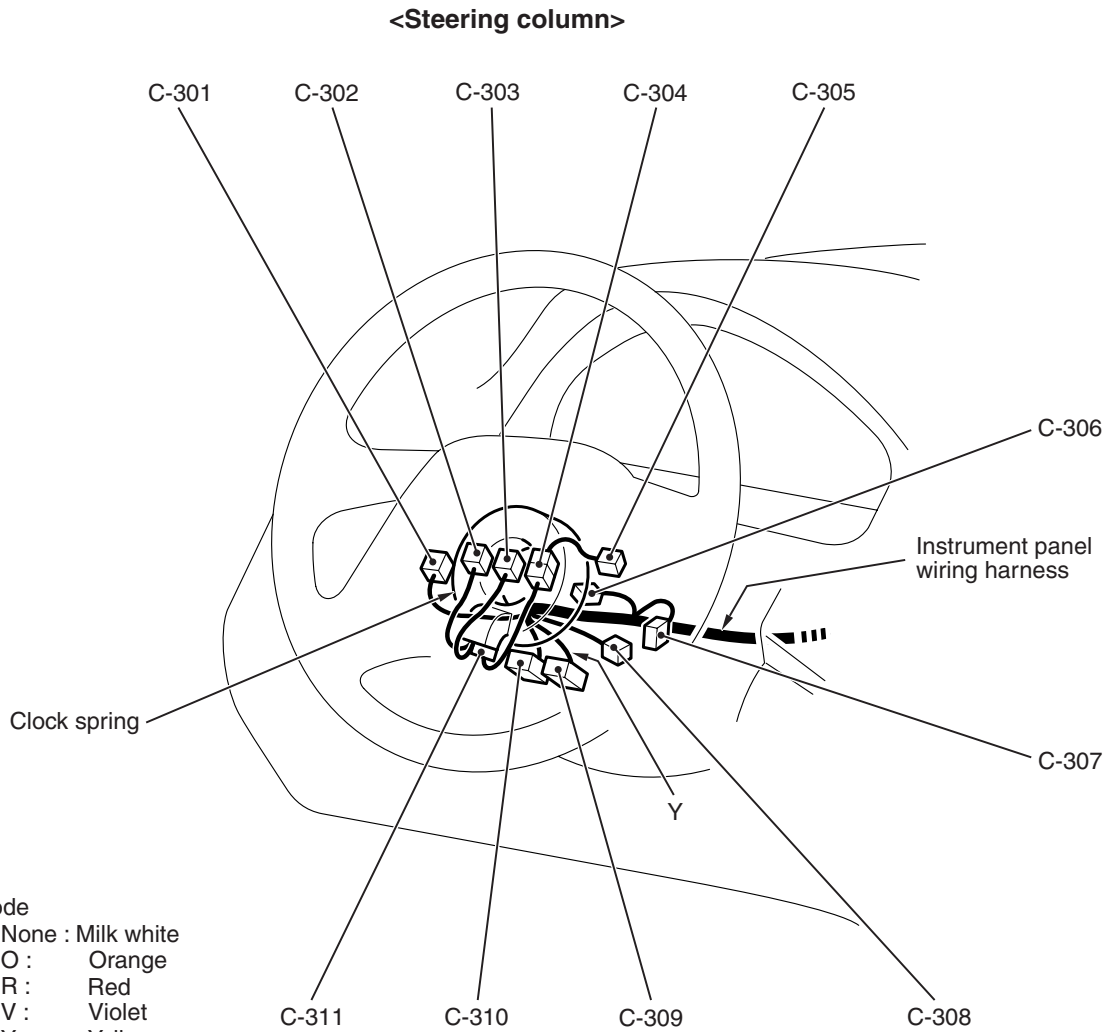
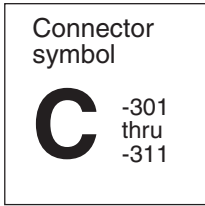
C-101 (2)	Jumper connector <Vehicles with DRL> or No connection <Vehicles without DRL>	C-115 (11)	Earth
C-102 (6-B)	Accelerator pedal position sensor	C-116 (33)	J/C (4)
C-103 (4)	PTC heater	C-117 (6)	G and yaw rate sensor
C-104 (22)	A/C-ECU	C-118 (20-Y)	SRS-ECU
C-105 (16)	A/C-ECU	C-119 (28-Y)	SRS-ECU
C-106 (26)	A/C-ECU	C-120 (20-Y)	SRS-ECU
C-107 (4)	Passenger's air bag cut off switch	C-121 (6)	Shift switch assembly
C-108 (4-Y)	Air bag module (squib) <Passenger's side>	C-122 (2)	A/T selector lever position illumination lamp
C-109 (6)	Engine oil level relay	C-123 (4)	Hazard warning lamp switch
C-110 (27-GR)	Engine-ECU <M/T> or Engine-A/T-ECU <A/T>	C-124 (43)	Instrument panel wiring harness and front wiring harness combination
C-111 (28-GR)	Engine-ECU <M/T> or Engine-A/T-ECU <A/T>	C-125 (38)	Instrument panel wiring harness and front wiring harness combination
C-112 (29-GR)	Engine-ECU <M/T> or Engine-A/T-ECU <A/T>	C-126 (16-B)	Diagnosis connector
C-113 (30-GR)	Engine-ECU <M/T> or Engine-A/T-ECU <A/T>	C-127 (4)	Stop lamp switch
C-114 (26-GR)	Engine-ECU <M/T> or Engine-A/T-ECU <A/T>	C-128 (25)	Instrument panel wiring harness and roof wiring harness combination
		C-129 (11)	Remote controlled mirror switch
		C-130 (6)	Fog lamp switch
		C-131 (2)	Clutch switch <Auto-cruise (M/T) >

DASH PANEL <LHD> (CONTINUED)



C-201 (13)	Instrument panel wiring harness and J/B combination	C-210 (15)	Floor wiring harness and J/B combination
C-202 (6)	Instrument panel wiring harness and J/B combination	C-211 (3)	Roof wiring harness and J/B combination
C-203 (14)	Instrument panel wiring harness and J/B combination	C-212 (4)	Heated seat relay
C-204 (1-B)	Instrument panel wiring harness and J/B combination	C-213 (4)	Rear fog lamp relay
C-205 (28)	Instrument panel wiring harness and J/B combination	C-214 (4)	Fuel pump relay 2
C-206 (5)	PTC heater relay 1	C-215 (4)	Rear blower relay
C-207 (5)	PTC heater relay 2	C-216 (4)	Fuel pump relay 1
C-208 (5)	Rear window defogger relay	C-217 (5)	Power window relay
C-209 (5)	Front blower relay	C-218 (2)	No connection
		C-219 (20)	ETACS-ECU
		C-220 (24)	ETACS-ECU
		C-221 (24-GR)	ETACS-ECU

DASH PANEL <LHD> (CONTINUED)



Connector colour code

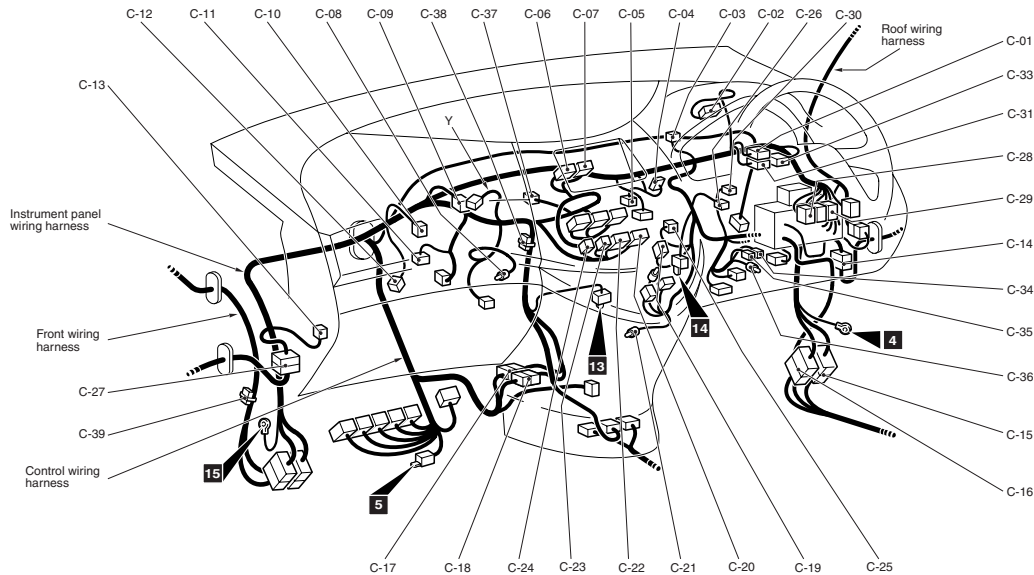
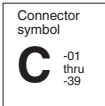
B : Black	None : Milk white
BR : Brown	O : Orange
G : Green	R : Red
GR : Gray	V : Violet
L : Blue	Y : Yellow

AC309925AB

C-301 (10)	Column switch	C-306 (5)	Steering wheel sensor
C-302 (1)	Horn switch	C-307 (6)	Ignition switch
C-303 (4-Y)	Air bag module (squib) <Driver's side>	C-308 (7)	Key reminder switch
C-304 (3-B)	Clock spring sub wiring harness and auto-cruise control switch sub wiring harness combination	C-309 (4-Y)	Clock spring
C-305 (3-Y)	Auto-cruise control switch	C-310 (6-B)	Clock spring
		C-311 (5)	Clock spring and clock spring sub wiring harness combination

DASH PANEL <RHD>

M1801000600898

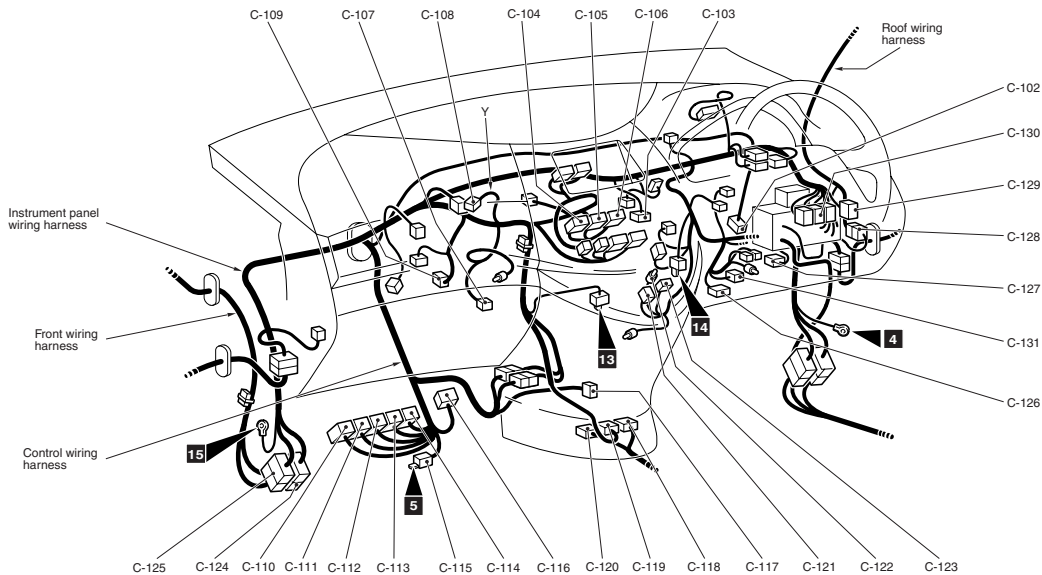
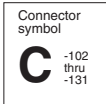


Connector colour code
 B : Black
 BR : Brown
 G : Green
 GR : Gray
 L : Blue
 None : Milk white
 O : Orange
 R : Red
 V : Violet
 Y : Yellow

AC310239AB

C-01 (33)	J/C (6)	C-18 (10)	Instrument panel wiring harness and control wiring harness combination
C-02 (40)	Combination meter	C-19 (6-GR)	Rear fan switch
C-03 (5)	Photo sensor	C-20 (14)	Radio and CD player
C-04 (7-GR)	Mode selection damper control motor and potentiometer	C-21 (2)	Ashtray illumination lamp
C-05 (2)	Air thermo sensor	C-22 (14)	Radio and CD player
C-06 (16-B)	Centre display	C-23 (1-B)	Radio and CD player
C-07 (20-B)	Centre display	C-24 (1)	Glass antenna amp
C-08 (2)	Glove box lamp	C-25 (3)	Passenger's air bag off indicator lamp
C-09 (22-GR)	J/C (CAN 2)	C-26 (2)	Interior temperature sensor
C-10 (3)	Outside/ inside air selection damper control motor	C-27 (32)	Instrument panel wiring harness and front door wiring harness (LH) combination
C-11 (7)	Front air mixing damper control motor and potentiometer	C-28 (6-B)	TCL off switch
C-12 (4)	Front power transistor	C-29 (6-GR)	Headlamp leveling switch
C-13 (2)	Front blower motor	C-30 (6)	PTC heater switch
C-14 (32)	Instrument panel wiring harness and front door wiring harness (RH) combination	C-31 (33)	J/C (5)
C-15 (38)	Instrument panel wiring harness and floor wiring harness combination	C-33 (22)	J/C (7)
C-16 (43)	Instrument panel wiring harness and floor wiring harness combination	C-34 (1-B)	Cigarette lighter
C-17 (18)	Instrument panel wiring harness and control wiring harness combination	C-35 (1)	Cigarette lighter
		C-36 (2)	Cigarette lighter illumination lamp
		C-37 (10)	Jumper connector
		C-38 (10)	Spare connector (For navigation system)
		C-39 (4)	Spare connector (For trailer)

DASH PANEL <RHD> (CONTINUED)

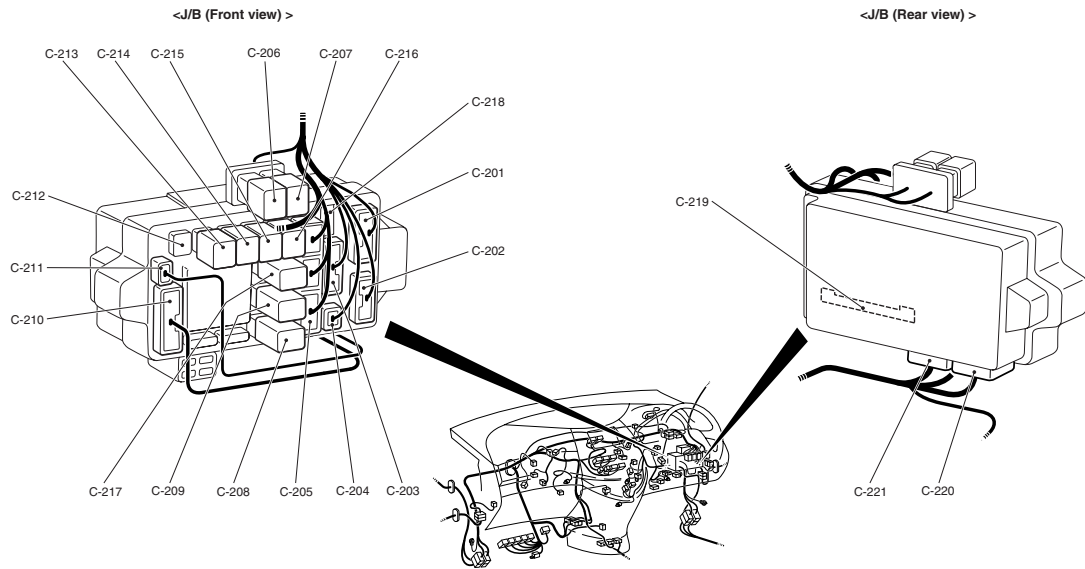
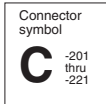


Connector colour code
B : Black
BR : Brown
G : Green
GR : Gray
L : Blue
None : Milk white
O : Orange
R : Red
V : Violet
Y : Yellow

AC310239AC

C-102 (6-B)	Accelerator pedal position sensor	C-116 (33)	J/C (4)
C-103 (4)	PTC heater	C-117 (6)	G and yaw rate sensor
C-104 (22)	A/C-ECU	C-118 (20-Y)	SRS-ECU
C-105 (16)	A/C-ECU	C-119 (28-Y)	SRS-ECU
C-106 (26)	A/C-ECU	C-120 (20-Y)	SRS-ECU
C-107 (4)	Passenger's air bag cut off switch	C-121 (6)	Shift switch assembly
C-108 (4-Y)	Air bag module (squib) <Passenger's side>	C-122 (2)	A/T selector lever position illumination lamp
C-109 (6)	Engine oil level relay	C-123 (4)	Hazard warning lamp switch
C-110 (27-GR)	Engine-ECU <M/T> or Engine-A/T-ECU <A/T>	C-124 (43)	Instrument panel wiring harness and front wiring harness combination
C-111 (28-GR)	Engine-ECU <M/T> or Engine-A/T-ECU <A/T>	C-125 (38)	Instrument panel wiring harness and front wiring harness combination
C-112 (29-GR)	Engine-ECU <M/T> or Engine-A/T-ECU <A/T>	C-126 (16-B)	Diagnosis connector
C-113 (30-GR)	Engine-ECU <M/T> or Engine-A/T-ECU <A/T>	C-127 (4)	Stop lamp switch
C-114 (26-GR)	Engine-ECU <M/T> or Engine-A/T-ECU <A/T>	C-128 (25)	Instrument panel wiring harness and roof wiring harness combination
C-115 (11)	Earth	C-129 (11)	Remote controlled mirror switch
		C-130 (6)	Fog lamp switch
		C-131 (2)	Clutch switch <Auto-cruise (M/T) >

DASH PANEL <RHD> (CONTINUED)

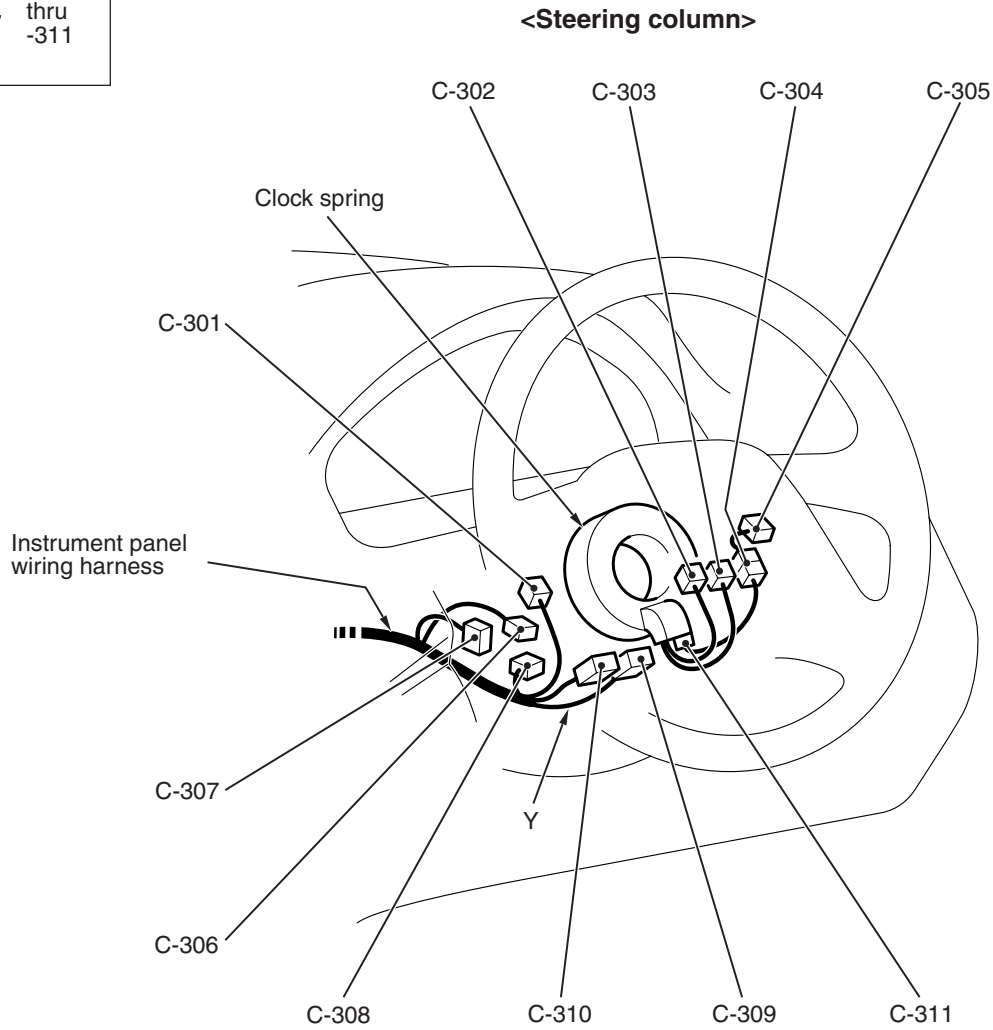
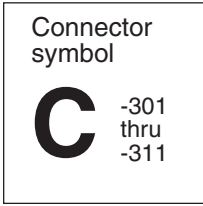


Connector colour code
 B : Black
 BR : Brown
 G : Green
 GR : Gray
 L : Blue
 None : Milk white
 O : Orange
 R : Red
 V : Violet
 Y : Yellow

AC310816AB

C-201 (13)	Instrument panel wiring harness and J/B combination	C-210 (15)	Floor wiring harness and J/B combination
C-202 (6)	Instrument panel wiring harness and J/B combination	C-211 (3)	Roof wiring harness and J/B combination
C-203 (14)	Instrument panel wiring harness and J/B combination	C-212 (4)	No connection
C-204 (1-B)	Instrument panel wiring harness and J/B combination	C-213 (4)	Rear fog lamp relay
C-205 (28)	Instrument panel wiring harness and J/B combination	C-214 (4)	Fuel pump relay 2
C-206 (5)	PTC heater relay 1	C-215 (4)	Rear blower relay
C-207 (5)	PTC heater relay 2	C-216 (4)	Fuel pump relay 1
C-208 (5)	Rear window defogger relay	C-217 (5)	Power window relay
C-209 (5)	Front blower relay	C-218 (2)	No connection
		C-219 (20)	ETACS-ECU
		C-220 (24)	ETACS-ECU
		C-221 (24-GR)	ETACS-ECU

DASH PANEL <RHD> (CONTINUED)



Connector colour code
 B : Black
 BR : Brown
 G : Green
 GR : Gray
 L : Blue
 None : Milk white
 O : Orange
 R : Red
 V : Violet
 Y : Yellow

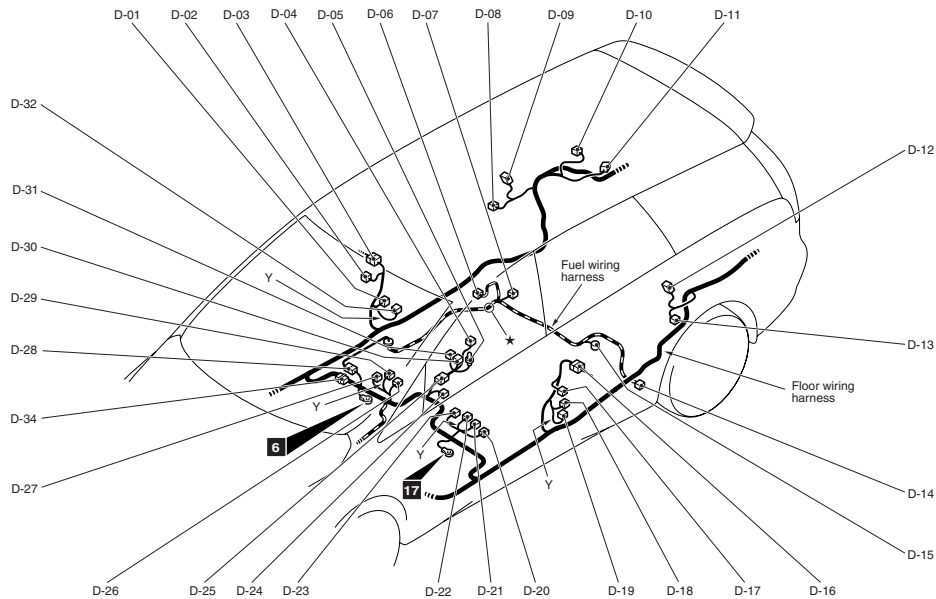
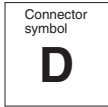
AC309928AB

C-301 (10)	Column switch	C-306 (5)	Steering wheel sensor
C-302 (1)	Horn switch	C-307 (6)	Ignition switch
C-303 (4-Y)	Air bag module (squib) <Driver's side>	C-308 (7)	Key reminder switch
C-304 (3-B)	Clock spring sub wiring harness and auto-cruise control switch sub wiring harness combination	C-309 (4-Y)	Clock spring
C-305 (3-Y)	Auto-cruise control switch	C-310 (6-B)	Clock spring
		C-311 (5)	Clock spring and clock spring sub wiring harness combination

FLOOR

FLOOR <LHD>

M1801003500016

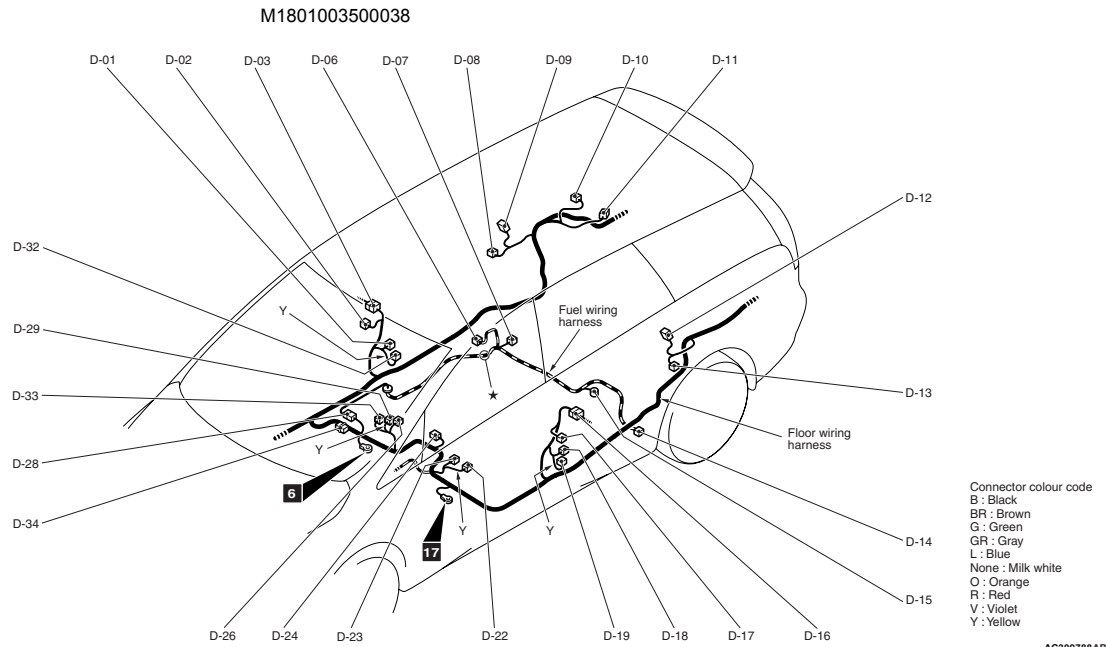
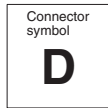


Connector colour code
B : Black
BR : Brown
G : Green
GR : Gray
L : Blue
None : Milk white
O : Orange
R : Red
V : Violet
Y : Yellow

AC309785AB

D-01	(2-Y)	Side impact sensor (Front: RH)	D-18	(2-Y)	Side impact sensor (Front: LH)
D-02	(3)	Door switch (Front: RH)	D-19	(2-B)	Seat belt pre-tensioner (LH)
D-03	(10-B)	Floor wiring harness and rear door wiring harness (RH) combination	D-20	(3-B)	Heated seat (LH)
D-04	(9)	Heated seat switch	D-21	(2-GR)	Seat slide sensor (LH)
D-05	(2)	Cigarette lighter illumination lamp	D-22	(2-R)	Side air bag module (squib) (LH)
D-06	(2-B)	Wheel speed sensor (Rear: RH)	D-23	(2)	Seat belt switch (LH)
D-07	(2)	Fuel tank gauge unit	D-24	(1-B)	Parking brake switch
D-08	(3)	Door switch (Rear: RH)	D-25	(10-GR)	Floor wiring harness and console wiring harness combination
D-09	(2-Y)	Side impact sensor (Rear: RH)	D-26	(2)	Seat belt switch (RH)
D-10	(2)	Rear blower motor	D-27	(3-B)	Heated seat (RH)
D-11	(4)	Rear power transistor	D-28	(13)	Floor wiring harness and fuel wiring harness combination
D-12	(2-Y)	Side impact sensor (Rear: LH)	D-29	(2-R)	Side air bag module (squib) (RH)
D-13	(3)	Door switch (Rear: LH)	D-30	(1)	Cigarette lighter
D-14	(2-B)	Wheel speed sensor (Rear: LH)	D-31	(1-B)	Cigarette lighter
D-15	(5-GR)	Fuel tank pump and gauge unit assembly	D-32	(2-B)	Seat belt pre-tensioner (RH)
D-16	(10)	Floor wiring harness and rear door wiring harness (LH) combination	D-34	(8-B)	Spare connector (For navigation system)
D-17	(3)	Door switch (Front: LH)			

FLOOR <RHD>

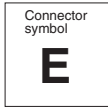


D-01	(2-Y)	Side impact sensor (Front: RH)	D-17	(3)	Door switch (Front: LH)
D-02	(3)	Door switch (Front: RH)	D-18	(2-Y)	Side impact sensor (Front: LH)
D-03	(10-B)	Floor wiring harness and rear door wiring harness (RH) combination	D-19	(2-B)	Seat belt pre-tensioner (LH)
D-06	(2-B)	Wheel speed sensor (Rear: RH)	D-22	(2-R)	Side air bag module (squib) (LH)
D-07	(2)	Fuel tank gauge unit	D-23	(2)	Seat belt switch (LH)
D-08	(3)	Door switch (Rear: RH)	D-24	(1-B)	Parking brake switch
D-09	(2-Y)	Side impact sensor (Rear: RH)	D-26	(2)	Seat belt switch (RH)
D-10	(2)	Rear blower motor	D-28	(13)	Floor wiring harness and fuel wiring harness combination
D-11	(4)	Rear power transistor	D-29	(2-R)	Side air bag module (squib) (RH)
D-12	(2-Y)	Side impact sensor (Rear: LH)	D-32	(2-B)	Seat belt pre-tensioner (RH)
D-13	(3)	Door switch (Rear: LH)	D-33	(2-GR)	Seat slide sensor (RH)
D-14	(2-B)	Wheel speed sensor (Rear: LH)	D-34	(8-B)	Spare connector (For navigation system)
D-15	(5-GR)	Fuel tank pump and gauge unit assembly			
D-16	(10)	Floor wiring harness and rear door wiring harness (LH) combination			

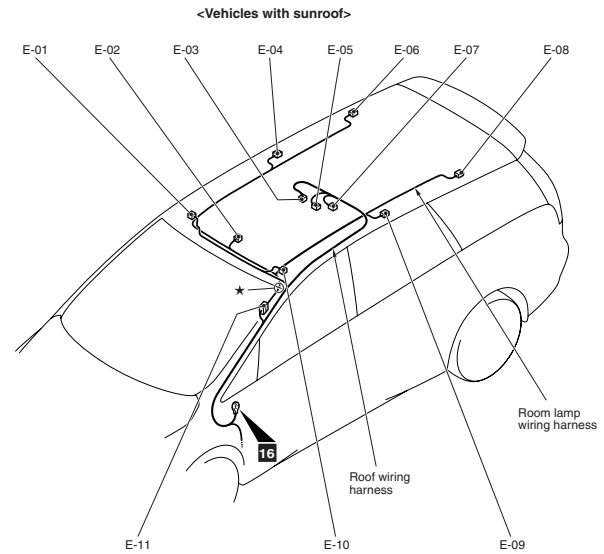
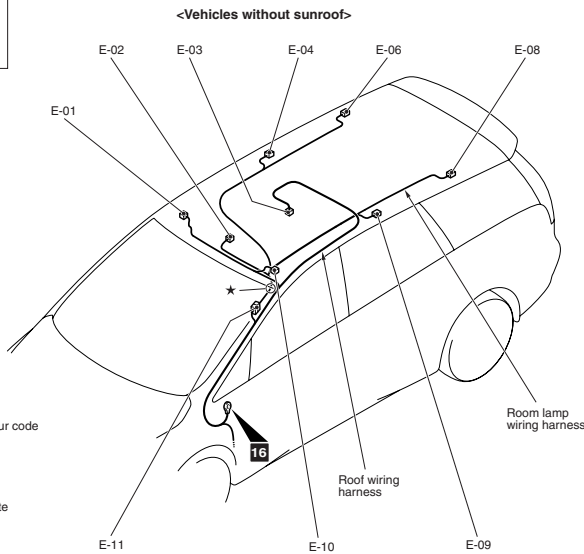
ROOF

ROOF <LHD>

M1801003600013



Connector colour code
B : Black
BR : Brown
G : Green
GR : Gray
L : Blue
None : Milk white
O : Orange
R : Red
V : Violet
Y : Yellow



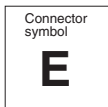
AC310817AB

- E-01 (2) Vanity mirror lamp (RH)
- E-02 (10) Room lamp
- E-03 (20) Rear heater controller
- E-04 (3) Rear personal lamp (for second seat: RH)
- E-05 (3) Sunroof switch
- E-06 (3) Rear personal lamp (for third seat: RH)
- E-07 (10) Sunroof motor assembly

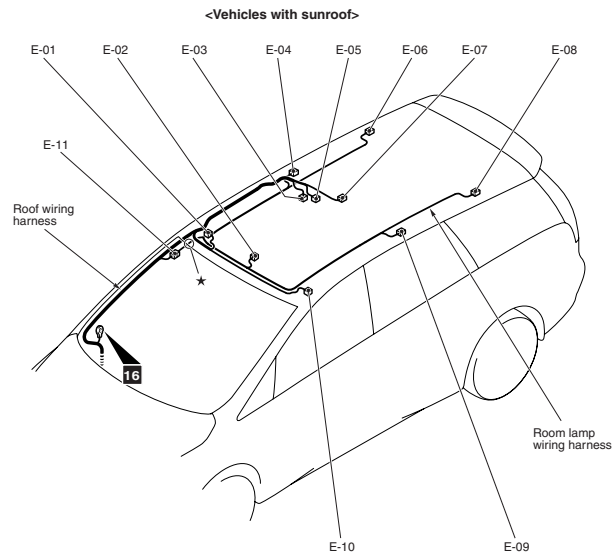
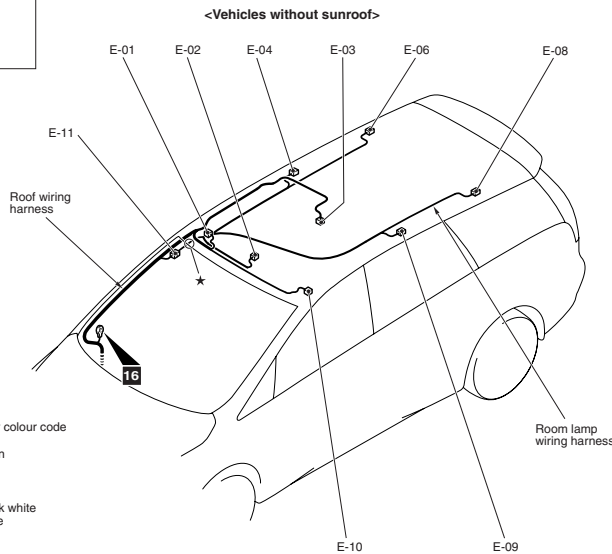
- E-08 (3) Rear personal lamp (for third seat: LH)
- E-09 (3) Rear personal lamp (for second seat: LH)
- E-10 (2) Vanity mirror lamp (LH)
- E-11 (6) Roof wiring harness and room lamp wiring harness combination

ROOF < RHD >

M1801003600035



Connector colour code
B : Black
BR : Brown
G : Green
GR : Gray
L : Blue
None : Milk white
O : Orange
R : Red
V : Violet
Y : Yellow



AC310818AB

- E-01 (2) Vanity mirror lamp (RH)
- E-02 (10) Room lamp
- E-03 (20) Rear heater controller
- E-04 (3) Rear personal lamp (for second seat: RH)

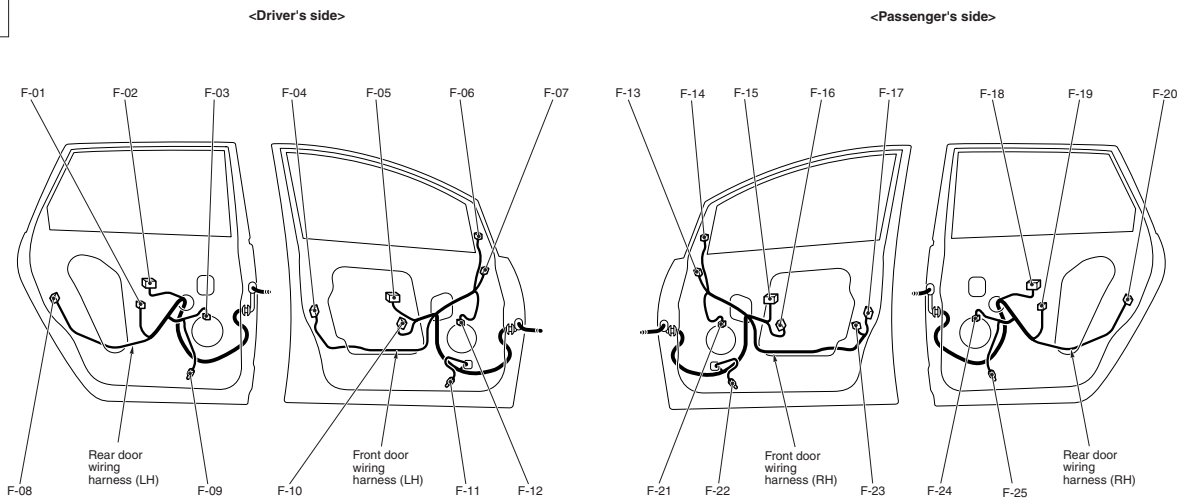
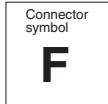
- E-05 (3) Sunroof switch
- E-06 (3) Rear personal lamp (for third seat: RH)
- E-07 (10) Sunroof motor assembly
- E-08 (3) Rear personal lamp (for third seat: LH)

- E-09 (3) Rear personal lamp (for second seat: LH)
 E-10 (2) Vanity mirror lamp (LH)
 E-11 (6) Roof wiring harness and room lamp wiring harness combination

DOOR

DOOR <LHD>

M1801001400693

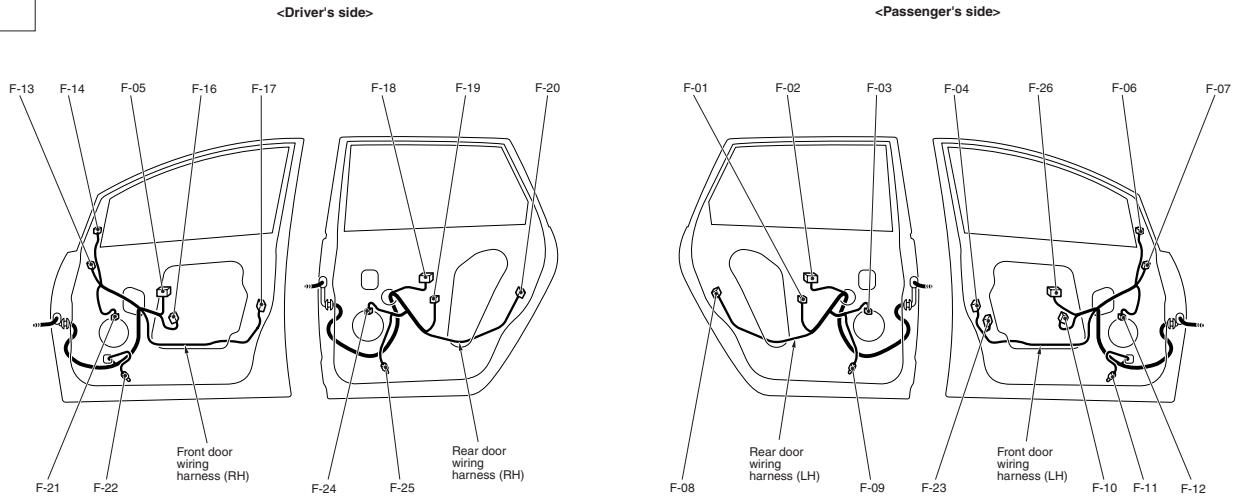
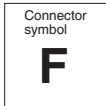


- | | | | | | |
|------|--------|------------------------------------|------|-------|-------------------------------------|
| F-01 | (6-B) | Power window motor (Rear: LH) | F-14 | (2) | Tweeter (RH) |
| F-02 | (8-B) | Power window sub switch (Rear: LH) | F-15 | (8-B) | Power window sub switch (Front: RH) |
| F-03 | (2) | Rear door speaker (LH) | F-16 | (6-B) | Power window motor (Front: RH) |
| F-04 | (6-B) | Door lock actuator (Front: LH) | F-17 | (6-B) | Door lock actuator (Front: RH) |
| F-05 | (14-B) | Power window main switch | F-18 | (8-B) | Power window sub switch (Rear: RH) |
| F-06 | (2) | Tweeter (LH) | F-19 | (6-B) | Power window motor (Rear: RH) |
| F-07 | (10) | Door mirror assembly (LH) | F-20 | (6-B) | Door lock actuator (Rear: RH) |
| F-08 | (6-B) | Door lock actuator (Rear: LH) | F-21 | (2) | Front door speaker (RH) |
| F-09 | (2) | Door lamp (Rear: LH) | F-22 | (2) | Door lamp (Front: RH) |
| F-10 | (6-B) | Power window motor (Front: LH) | F-23 | (3-B) | Door key switch |
| F-11 | (2) | Door lamp (Front: LH) | F-24 | (2) | Rear door speaker (RH) |
| F-12 | (2) | Front door speaker (LH) | F-25 | (2) | Door lamp (Rear: RH) |
| F-13 | (10) | Door mirror assembly (RH) | | | |

AC310819AB

DOOR <RHD>

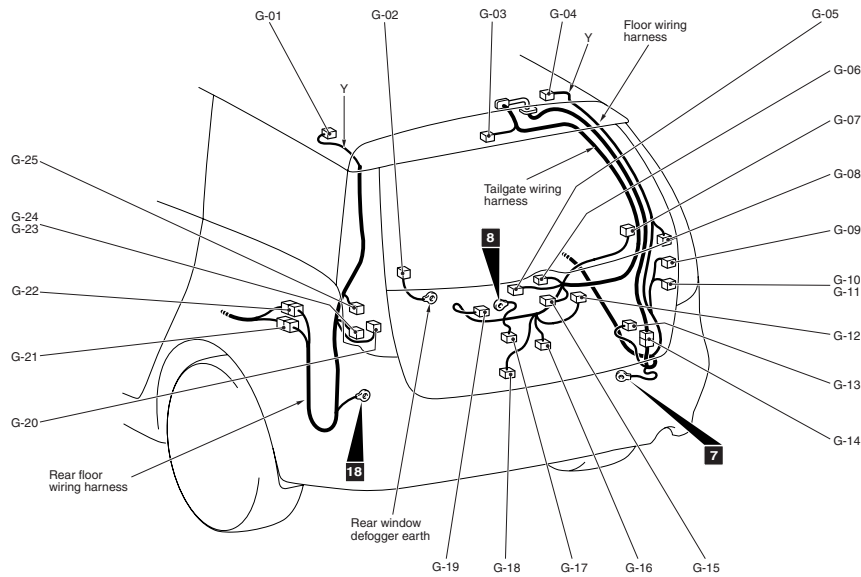
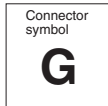
M1801001400701



AC310820AB

- | | | | | | |
|------|--------|------------------------------------|------|-------|-------------------------------------|
| F-01 | (6-B) | Power window motor (Rear: LH) | F-14 | (2) | Tweeter (RH) |
| F-02 | (8-B) | Power window sub switch (Rear: LH) | F-16 | (6-B) | Power window motor (Front: RH) |
| F-03 | (2) | Rear door speaker (LH) | F-17 | (6-B) | Door lock actuator (Front: RH) |
| F-04 | (6-B) | Door lock actuator (Front: LH) | F-18 | (8-B) | Power window sub switch (Rear: RH) |
| F-05 | (14-B) | Power window main switch | F-19 | (6-B) | Power window motor (Rear: RH) |
| F-06 | (2) | Tweeter (LH) | F-20 | (6-B) | Door lock actuator (Rear: RH) |
| F-07 | (10) | Door mirror assembly (LH) | F-21 | (2) | Front door speaker (RH) |
| F-08 | (6-B) | Door lock actuator (Rear: LH) | F-22 | (2) | Door lamp (Front: RH) |
| F-09 | (2) | Door lamp (Rear: LH) | F-23 | (3-B) | Door key switch |
| F-10 | (6-B) | Power window motor (Front: LH) | F-24 | (2) | Rear door speaker (RH) |
| F-11 | (2) | Door lamp (Front: LH) | F-25 | (2) | Door lamp (Rear: RH) |
| F-12 | (2) | Front door speaker (LH) | F-26 | (8-B) | Power window sub switch (Front: LH) |
| F-13 | (10) | Door mirror assembly (RH) | | | |

TAILGATE



Connector colour code

B : Black
 BR : Brown
 G : Green
 GR : Gray
 L : Blue
 None : Milk white
 O : Orange
 R : Red
 V : Violet
 Y : Yellow

G-01	(2-B)	Curtain air bag module (squib) (LH)	G-15	(2)	Licence plate lamp (RH)
G-02	(1-B)	Rear window defogger (-)	G-16	(3)	Tailgate key switch
G-03	(2)	High-mounted stop lamp	G-17	(2-B)	Tailgate lock actuator
G-04	(2-B)	Curtain air bag module (squib) (RH)	G-18	(1-B)	Tailgate switch
G-05	(4)	Rear wiper motor	G-19	(2)	Licence plate lamp (LH)
G-06	(2)	Tailgate lock release handle	G-20	(3)	Tail/ stop lamp (LH)
G-07	(1-B)	Rear window defogger (+)	G-21	(10)	Floor wiring harness and rear floor wiring harness (LH) combination
G-08	(3)	Tail/ stop lamp (RH)	G-22	(2-R)	Floor wiring harness and rear floor wiring harness (LH) combination
G-09	(2-B)	Rear turn-signal lamp (RH)	G-23	(2-GR)	Rear fog lamp <LHD>
G-10	(2-GR)	Back-up lamp <LHD>	G-24	(2-GR)	Back-up lamp <RHD>
G-11	(2-GR)	Rear fog lamp <RHD>	G-25	(2-B)	Rear turn-signal lamp (LH)
G-12	(2)	Luggage compartment lamp			
G-13	(5)	Rear air mixing damper control motor and potentiometer			
G-14	(14)	Floor wiring harness and tailgate wiring harness combination			