
GENERAL

CONTENTS

HOW TO USE THIS MANUAL	2	Chassis Number	4
Model Indications	2	Engine Model Number	5
VEHICLE IDENTIFICATION	3	New Vehicles	5
Models	3	MAJOR SPECIFICATIONS	6
Model Code	3		

HOW TO USE THIS MANUAL

MODEL INDICATIONS

The following abbreviations are used in this manual for classification of model types.

2000: Indicates models equipped with the 2,000 mL <4G63> petrol engine.

2400: Indicates models equipped with the 2,400 mL <4G64> petrol engine.

MPI: Indicates the multipoint injection, or engine equipped with the multipoint injection.

GDI: Indicates the gasoline direct injection, or engine equipped with the gasoline direct injection.

SOHC: Indicates an engine with the single overhead camshaft, or models equipped with such an engine.

DOHC: Indicates an engine with the double overhead camshaft, or models equipped with such an engine.

M/T: Indicates the manual transmission, or models equipped with the manual transmission.

A/T: Indicates the automatic transmission, or models equipped with the automatic transmission.

A/C: Indicates the air conditioner.

VEHICLE IDENTIFICATION

MODELS

Model code		Engine model	Transmission model	Fuel supply system
N63W	SNUEL6/R6	4G63-SOHC (1,997 mL)	F5M42 (2WD-5M/T)	MPI
	SNFEL6			
	SNUJL6			
	SRUEL6/R6		F4A42 (2WD-4A/T)	
	SRFEL6			
	SRUJL6			
N64W	SNHCL6	4G64-DOHC-GDI (2,351 mL)	F5M42 (2WD-5M/T)	GDI
	SNGCL6			
	SNHGL6			
	SRHCL6		F4A42 (2WD-4A/T)	
	SRGCL6			
	SRHGL6			



MODEL CODE

N	6	4	W	S	N	H	C	L	6
1	2	3	4	5	6	7	8	9	

X0046AE

No.	Items	Contents
1	Development	N6: SPACE RUNNER (2WD)
2	Engine type	3: 2,000 mL petrol engine 4: 2,400 mL petrol engine
3	Body type	W: Wagon
4	Body style	S: 3-door station wagon
5	Transmission type	N: 5-speed manual transmission R: 4-speed automatic transmission
6	Trim level	U,F,H,G: GLX
7	Specification engine feature	E,J: MPI-SOHC C,G: GDI-DOHC
8	Steering wheel location	L: Left hand R: Right hand
9	Destination	6: For Europe

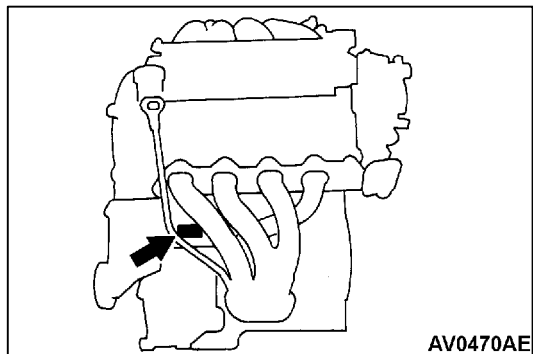
CHASSIS NUMBER


J **M** **B** **S** **N** **N6** **4** **W** **Y** **Z** **000001** 

1 2 3 4 5 6 7 8 9 10 11

X0047AE

No.	Items		Contents
1	Fixed figure	J	Asia
2	Distribution channel	M	Japan channel
3	Destination	A	For Europe, right hand drive
		B	For Europe, left hand drive
4	Body style	S	3-door station wagon
5	Transmission type	N	5-speed manual transmission
		R	4-speed automatic transmission
6	Development order	N6	SPACE RUNNER (2WD)
7	Engine	3	4G63: 1,997 mL petrol engine
		4	4G64: 2,351 mL petrol engine
8	Sort	W	Station wagon
9	Model year	Y	2000
10	Plant	Z	Okazaki Motor Vehicle Works
11	Serial number	-	-

**ENGINE MODEL NUMBER**

1. The engine model number is stamped at the cylinder block as shown in the following.

Engine model	Engine displacement mL
4G63	1,997
4G64	2,351

2. The engine serial number is stamped near the engine model number.

Engine serial number	AA0201 to YY9999

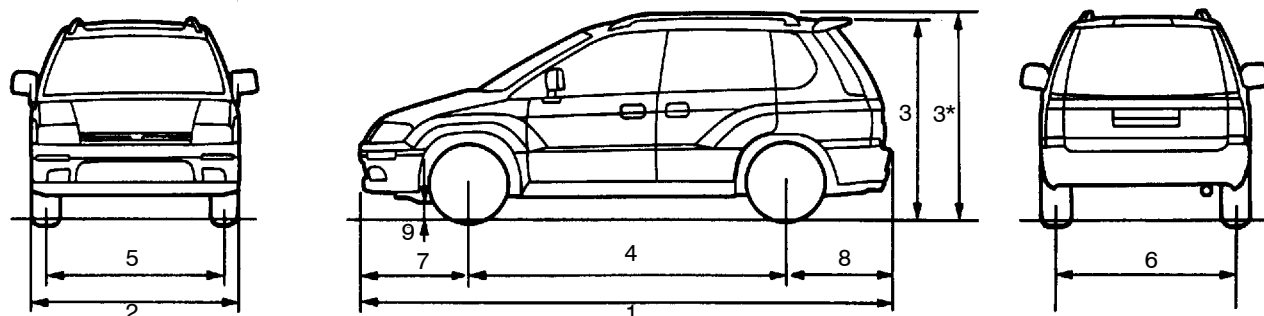
NEW VEHICLES

New vehicles has been added as shown below.

New vehicle has been developed from the respective basic vehicle. Specification show only a particular part of the new vehicle. For the remaining par, refer to specifications for basic vehicle.

New vehicle	Basic vehicle
N63W SNUEL6	N61W SNUCL6
N63W SNUER6	N61W SNUCR6
N63W SNFEL6	N61W SNFCL6
N63W SNUJL6	N61W SNUGL6
N63W SRUEL6	N61W SRUCL6
N63W SRUER6	N61W SRUCR6
N63W SRFEL6	N61W SRFCL6
N63W SRUJL6	N61W SRUGL6
N64W SNHCL6	N61W SNUCL6
N64W SNGCL6	N61W SNFCL6
N64W SNHGL6	N61W SNUGL6
N64W SRHCL6	N61W SRUCL6
N64W SRGCL6	N61W SRFCL6
N64W SRHGL6	N61W SRUGL6

MAJOR SPECIFICATIONS



Items		N63W SNUEL6, SNUER6, SNFEL6, SNUJL6	N63W SRUEL6, SRUER6, SRFEL6, SRUJL6	N64W SNHCL6, SNGCL6, SNHGL6	N64W SRHCL6, SRGCL6, SRHGL6	
Vehicle dimensions mm	Overall length	1	4,290			
	Overall width	2	1,695			
	Overall height (unladen)	3	1,650 1,680*			
	Wheelbase	4	2,550			
	Track-front	5	1,460			
	Track-rear	6	1,465			
	Overhang-front	7	890			
	Overhang-rear	8	850			
	Ground clearance (unladen)	9	155			
Vehicle weight kg	Kerb weight	1,360	1,380	1,400	1,420	
	Max. gross vehicle weight	1,880		1,920		
	Max. axle weight rating-front	1,000		1,050		
	Max. axle weight rating-rear	900				
Seating capacity		5				
Engine	Model No.	4G63		4G64		
	Total displacement mL	1,997		2,351		
Transmission	Model No.	F5M42	F4A42	F5M42	F4A42	
	Type	5-speed manual	4-speed automatic	5-speed manual	4-speed automatic	
Fuel system	Fuel supply system	Electronically controlled multipoint injection		Gasoline Direct Injection		

*: Vehicles with roof rails