

# SECTION RFD

## REAR FINAL DRIVE

A  
B  
C

RFD

### CONTENTS

#### WITHOUT ELECTRONIC LOCKING DIFFERENTIAL

<b>PRECAUTIONS</b> .....	<b>3</b>
Precautions for Servicing Rear Final Drive .....	3
<b>PREPARATION</b> .....	<b>4</b>
Special Service Tools .....	4
Commercial Service Tools .....	7
<b>NOISE, VIBRATION, AND HARSHNESS (NVH)</b>	
<b>TROUBLESHOOTING</b> .....	<b>8</b>
NVH Troubleshooting Chart .....	8
<b>DESCRIPTION</b> .....	<b>9</b>
Cross-Sectional View .....	9
<b>DIFFERENTIAL GEAR OIL</b> .....	<b>10</b>
Changing Differential Gear Oil .....	10
DRAINING .....	10
FILLING .....	10
Checking Differential Gear Oil .....	10
DIFFERENTIAL GEAR OIL LEAKAGE AND LEVEL .....	10
<b>FRONT OIL SEAL</b> .....	<b>11</b>
Removal and Installation .....	11
REMOVAL .....	11
INSTALLATION .....	12
<b>CARRIER COVER</b> .....	<b>13</b>
Removal and Installation .....	13
REMOVAL .....	13
INSTALLATION .....	13
<b>REAR FINAL DRIVE ASSEMBLY</b> .....	<b>14</b>
Removal and Installation .....	14
REMOVAL .....	14
INSTALLATION .....	14
Disassembly and Assembly .....	15
COMPONENTS .....	15
ASSEMBLY INSPECTION AND ADJUSTMENT..	16
DISASSEMBLY .....	19
INSPECTION AFTER DISASSEMBLY .....	22
SELECTION ADJUSTING WASHERS .....	23
ASSEMBLY .....	26

<b>SERVICE DATA AND SPECIFICATIONS (SDS)</b> .....	<b>32</b>
General Specifications .....	32
Inspection and Adjustment .....	32
DIFFERENTIAL SIDE GEAR CLEARANCE .....	32
PRELOAD TORQUE .....	32
BACKLASH .....	32
COMPANION FLANGE RUNOUT .....	32
SELECTIVE PARTS .....	32

E  
F  
G  
H

#### WITH ELECTRONIC LOCKING DIFFERENTIAL

<b>PRECAUTIONS</b> .....	<b>34</b>
Precautions for Supplemental Restraint System (SRS) "AIR BAG" and "SEAT BELT PRE-TENSIONER" .....	34
Precautions .....	34
Precautions for Servicing Rear Final Drive .....	35
<b>PREPARATION</b> .....	<b>36</b>
Special Service Tools .....	36
Commercial Service Tools .....	39
<b>NOISE, VIBRATION AND HARSHNESS (NVH)</b>	
<b>TROUBLESHOOTING</b> .....	<b>40</b>
NVH Troubleshooting Chart .....	40
<b>DIFFERENTIAL GEAR OIL</b> .....	<b>41</b>
Changing Differential Gear Oil .....	41
DRAINING .....	41
FILLING .....	41
Checking Differential Gear Oil .....	41
DIFFERENTIAL GEAR OIL LEAKAGE AND LEVEL .....	41
<b>DIFFERENTIAL LOCK SYSTEM</b> .....	<b>42</b>
Cross-sectional View .....	42
Differential Lock Operation .....	43
System Description .....	43
DIFFERENTIAL LOCK SOLENOID .....	43
DIFFERENTIAL LOCK POSITION SWITCH .....	43
DIFFERENTIAL LOCK CONTROL UNIT .....	43
DIFFERENTIAL LOCK MODE SWITCH .....	43
DIFF LOCK INDICATOR LAMP .....	43

I  
J  
K  
L  
M

System Diagram .....	44	DIFFERENTIAL LOCK CONTROL UNIT TER-	
COMPONENTS FUNCTION DESCRIPTION .....	44	MINALS AND REFERENCE VALUE .....	64
CAN COMMUNICATION SYSTEM DESCRIP-		DIAGNOSTIC PROCEDURE .....	65
TION .....	44	COMPONENT INSPECTION .....	68
<b>TROUBLE DIAGNOSIS .....</b>	<b>45</b>	ABS System .....	68
Fail-safe Function .....	45	DIAGNOSTIC PROCEDURE .....	68
How to Perform Trouble Diagnosis .....	45	CAN Communication Line .....	69
BASIC CONCEPT .....	45	DIAGNOSTIC PROCEDURE .....	69
Location of Electrical Parts .....	46	<b>TROUBLE DIAGNOSIS FOR SYMPTOMS .....</b>	<b>70</b>
Wiring Diagram — DIFLOC — .....	47	DIFF LOCK Indicator Lamp Does Not Turn ON .....	70
Trouble Diagnosis Chart for Symptoms .....	49	DIAGNOSTIC PROCEDURE .....	70
Differential Lock Control Unit Input/Output Signal		DIFF LOCK Indicator Lamp Does Not Change .....	73
Reference Values .....	49	DIAGNOSTIC PROCEDURE .....	73
DIFFERENTIAL LOCK CONTROL UNIT		DIFF LOCK Indicator Lamp Sometimes Flashes ...	74
INSPECTION TABLE .....	49	DIAGNOSTIC PROCEDURE .....	74
CONSULT-II Function (DIFF LOCK) .....	51	<b>DIFFERENTIAL LOCK CONTROL UNIT .....</b>	<b>76</b>
CONSULT-II START PROCEDURE .....	51	Removal and Installation .....	76
SELF-DIAG RESULTS MODE .....	51	REMOVAL .....	76
DATA MONITOR MODE .....	53	INSTALLATION .....	76
<b>TROUBLE DIAGNOSIS FOR SYSTEM .....</b>	<b>54</b>	<b>DIFFERENTIAL LOCK POSITION SWITCH .....</b>	<b>77</b>
Power Supply Circuit For Differential Lock Control		Removal and Installation .....	77
Unit .....	54	REMOVAL .....	77
CONSULT-II REFERENCE VALUE IN DATA		INSTALLATION .....	78
MONITOR MODE .....	54	<b>FRONT OIL SEAL .....</b>	<b>81</b>
DIFFERENTIAL LOCK CONTROL UNIT TER-		Removal and Installation .....	81
MINALS AND REFERENCE VALUE .....	54	REMOVAL .....	81
DIAGNOSTIC PROCEDURE .....	55	INSTALLATION .....	82
Differential Lock Control Unit .....	56	<b>CARRIER COVER .....</b>	<b>83</b>
DIAGNOSTIC PROCEDURE .....	56	Removal and Installation .....	83
Differential Lock Mode Switch .....	56	REMOVAL .....	83
CONSULT-II REFERENCE VALUE IN DATA		INSTALLATION .....	83
MONITOR MODE .....	56	<b>REAR FINAL DRIVE ASSEMBLY .....</b>	<b>84</b>
DIFFERENTIAL LOCK CONTROL UNIT TER-		Removal and Installation .....	84
MINALS AND REFERENCE VALUE .....	56	REMOVAL .....	84
DIAGNOSTIC PROCEDURE .....	57	INSTALLATION .....	85
COMPONENT INSPECTION .....	59	Disassembly and Assembly .....	85
Differential Lock Position Switch .....	60	COMPONENTS .....	85
CONSULT-II REFERENCE VALUE IN DATA		ASSEMBLY INSPECTION AND ADJUSTMENT...	86
MONITOR MODE .....	60	DISASSEMBLY .....	89
DIFFERENTIAL CONTROL UNIT TERMINALS		INSPECTION AFTER DISASSEMBLY .....	93
AND REFERENCE VALUE .....	60	SELECTION ADJUSTING WASHERS .....	93
DIAGNOSTIC PROCEDURE .....	61	ASSEMBLY .....	95
Differential Lock Solenoid Relay .....	63	<b>SERVICE DATA AND SPECIFICATIONS (SDS) ...</b>	<b>101</b>
CONSULT-II REFERENCE VALUE IN DATA		General Specifications .....	101
MONITOR MODE .....	63	Inspection and Adjustment .....	101
DIAGNOSTIC PROCEDURE .....	63	PRELOAD TORQUE .....	101
Differential Lock Solenoid .....	64	BACKLASH .....	101
CONSULT-II REFERENCE VALUE IN DATA		COMPANION FLANGE RUNOUT .....	101
MONITOR MODE .....	64	SELECTIVE PARTS .....	101

# PRECAUTIONS

## [WITHOUT ELECTRONIC LOCKING DIFFERENTIAL]

### PRECAUTIONS

PFP:00001

#### Precautions for Servicing Rear Final Drive

EDS0045P

- Before starting diagnosis of the vehicle, understand the symptoms well. Perform correct and systematic operations.
- Check for the correct installation status prior to removal or disassembly. When matching marks are required, be certain they do not interfere with the function of the parts they are applied to.
- Overhaul should be done in a clean work area, a dust proof area is recommended.
- Before disassembly, completely remove sand and mud from the exterior of the unit, preventing them from entering into the unit during disassembly or assembly.
- Always use shop paper for cleaning the inside of components.
- Avoid using cotton gloves or a shop cloth to prevent the entering of lint.
- Check appearance of the disassembled parts for damage, deformation, and abnormal wear. Replace them with new ones if necessary.
- Gaskets, seals and O-rings should be replaced any time the unit is disassembled.
- Clean and flush the parts sufficiently and blow them dry.
- Be careful not to damage sliding surfaces and mating surfaces.
- When applying sealant, remove the old sealant from the mating surface; then remove any moisture, oil, and foreign materials from the application and mating surfaces.
- In principle, tighten nuts or bolts gradually in several steps working diagonally from inside to outside. If a tightening sequence is specified, observe it.
- During assembly, observe the specified tightening torque.
- Add new differential gear oil, petroleum jelly, or multi-purpose grease, as specified.

A

B

C

RFD

E

F

G

H

I

J

K

L

M

# PREPARATION [WITHOUT ELECTRONIC LOCKING DIFFERENTIAL]

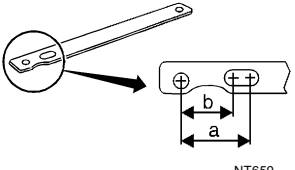
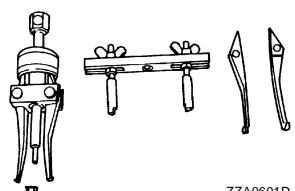
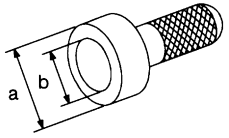
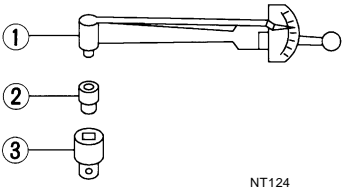
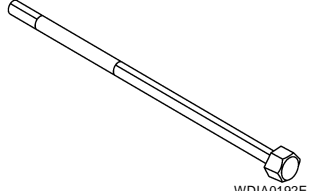
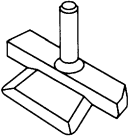
## PREPARATION

PFP:00002

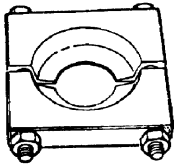
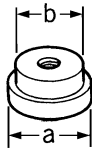
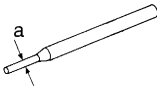
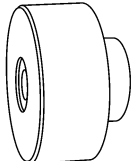
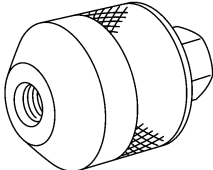

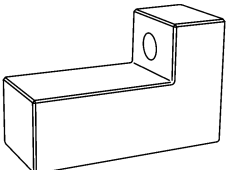
### Special Service Tools

EDS0010R

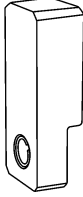
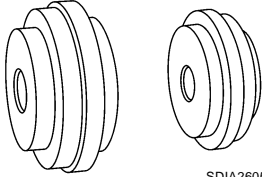
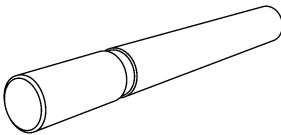
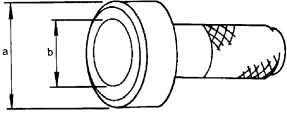
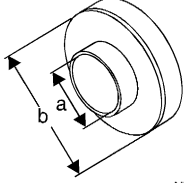
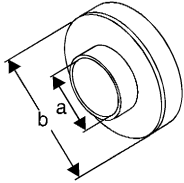
The actual shapes of Kent-Moore tools may differ from those of special service tools illustrated here.

Tool number (Kent-Moore No.) Tool name	Description
KV40104000 ( — ) Flange wrench <div style="text-align: center;">  <p>NT659</p> </div>	Removing and installing drive pinion lock nut <b>a: 85 mm (3.35 in) dia.</b> <b>b: 65 mm (2.56 in) dia.</b>
ST33290001 (J-34286) Puller <div style="text-align: center;">  <p>ZZA0601D</p> </div>	Removing front oil seal
ST15310000 ( — ) Drift <div style="text-align: center;">  <p>NT115</p> </div>	Installing front oil seal <b>a: 96mm (3.77 in) dia.</b> <b>b: 84 mm (3.30 in) dia.</b>
ST3127S000 (J-25765-A) Preload gauge set <ol style="list-style-type: none"> <li>1. GG91030000 (J-25765) Torque wrench</li> <li>2. HT62940000 (1/2") ( — ) Socket adapter</li> <li>3. HT62900000 (3/8") ( — ) Socket adapter</li> </ol> <div style="text-align: center;">  <p>NT124</p> </div>	Inspecting drive pinion bearing preload torque and total preload torque
— (C-4164) Adjuster tool <div style="text-align: center;">  <p>WDIA0192E</p> </div>	Removing and installing side bearing adjuster
KV10111100 (J-37228) Seal cutter <div style="text-align: center;">  <p>S-NT046</p> </div>	Removing carrier cover

# PREPARATION [WITHOUT ELECTRONIC LOCKING DIFFERENTIAL]

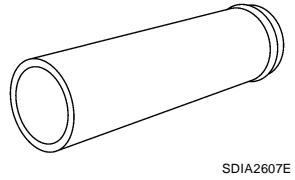
Tool number (Kent-Moore No.) Tool name	Description	A
ST30021000 (J-22912-01) Puller <div style="text-align: center;">  <p>ZZA0700D</p> </div>	Removing drive pinion rear bearing inner race	B
ST33081000 ( — ) Adapter <div style="text-align: center;">  <p>ZZA1000D</p> </div>	Removing and installing side bearing inner race <b>a: 43 mm (1.69 in) dia.</b> <b>b: 33.5 mm (1.32 in) dia.</b>	C
ST23550000 ( — ) Pin punch <div style="text-align: center;">  <p>NT410</p> </div>	Removing and installing lock pin <b>a: 4.5 mm (0.177 in) dia.</b>	RFD
— (8144) Drive pinion block <div style="text-align: center;">  <p>SDIA2599E</p> </div>	Adjusting drive pinion height	E
— (6740) Cone <div style="text-align: center;">  <p>SDIA2601E</p> </div>	Adjusting drive pinion height	F
— (6741) Screw <div style="text-align: center;">  <p>SDIA2602E</p> </div>	Adjusting drive pinion height	G
— (6739) Drive pinion height lock <div style="text-align: center;">  <p>SDIA2603E</p> </div>	Adjusting drive pinion height	H

# PREPARATION [WITHOUT ELECTRONIC LOCKING DIFFERENTIAL]

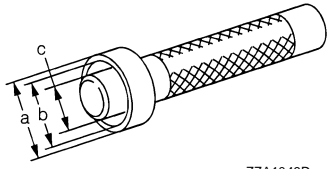
Tool number (Kent-Moore No.) Tool name	Description
— (D-115-2) Scooter block <div style="text-align: center;">  <p>SDIA2604E</p> </div>	Adjusting drive pinion height
— (8541A-1) Arbor disc <div style="text-align: center;">  <p>SDIA2605E</p> </div>	Adjusting drive pinion height
— (D-115-3) Arbor <div style="text-align: center;">  <p>SDIA2606E</p> </div>	Adjusting drive pinion height
ST01500001 ( — ) Drift <div style="text-align: center;">  <p>ZZA0811D</p> </div>	Installing drive pinion rear bearing outer race <b>a: 89mm (3.50 in) dia.</b> <b>b: 79 mm (3.11 in) dia.</b>
ST30022000 ( — ) Drift <div style="text-align: center;">  <p>NT660</p> </div>	Installing drive pinion rear bearing outer race <b>a: 46 mm (1.81 in) dia.</b> <b>b: 110 mm (4.33 in) dia.</b>
ST33022000 ( — ) Drift <div style="text-align: center;">  <p>NT660</p> </div>	Installing drive pinion front bearing outer race <b>a: 49 mm (1.92 in) dia.</b> <b>b: 67 mm (2.63 in) dia.</b>

# PREPARATION [WITHOUT ELECTRONIC LOCKING DIFFERENTIAL]

Tool number (Kent-Moore No.) Tool name	Description	A
— (C-4040) Installer	Installing drive pinion rear bearing inner race	B
KV38100300 (J-25523) Drift	Installing side bearing inner race <b>a: 54 mm (2.13 in) dia.</b> <b>b: 46 mm (1.81 in) dia.</b> <b>c: 32mm (1.26 in) dia.</b>	C



SDIA2607E



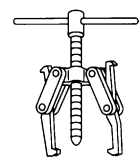
ZZA1046D

RFD

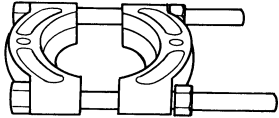
## Commercial Service Tools

EDS0010S

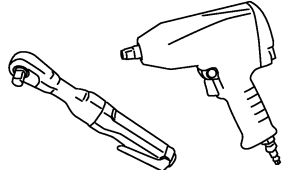
Tool name	Description	G
Puller	Removing companion flange and side bearing inner race	H
Puller	Removing side bearing inner race	I
Power tool	Loosening bolts and nuts	J
		K
		L
		M



NT077



ZZB0823D



PBIC0190E

# NOISE, VIBRATION, AND HARSHNESS (NVH) TROUBLESHOOTING [WITHOUT ELECTRONIC LOCKING DIFFERENTIAL]

## NOISE, VIBRATION, AND HARSHNESS (NVH) TROUBLESHOOTING

PF0:00003

### NVH Troubleshooting Chart

EDS0010T

Use the chart below to help you find the cause of the symptom. If necessary, repair or replace these parts.

Symptom		Possible cause and SUSPECTED PARTS														
	Noise	x	x	x	x	x	x	x	x	x	x	x	x	x	x	
Reference page			<a href="#">RFD-22</a>	<a href="#">RFD-22</a>	<a href="#">RFD-22</a>	<a href="#">RFD-17</a>	<a href="#">RFD-18</a>	<a href="#">RFD-10</a>	<a href="#">PR-3, "NVH Troubleshooting Chart"</a>	<a href="#">RAX-4, "NVH Troubleshooting Chart"</a>	<a href="#">RSU-4, "NVH Troubleshooting Chart"</a>	<a href="#">WT-4, "NVH Troubleshooting Chart"</a>	<a href="#">WT-4, "NVH Troubleshooting Chart"</a>	<a href="#">RAX-4, "NVH Troubleshooting Chart"</a>	<a href="#">BR-5, "NVH Troubleshooting Chart"</a>	<a href="#">PS-5, "NVH Troubleshooting Chart"</a>
			Gear tooth rough	Gear contact improper	Tooth surfaces worn	Backlash incorrect	Companion flange excessive runout	Gear oil improper	PROPELLER SHAFT	REAR AXLE	REAR SUSPENSION	TIRES	ROAD WHEEL	AXLE SHAFT	BRAKES	STEERING

x: Applicable



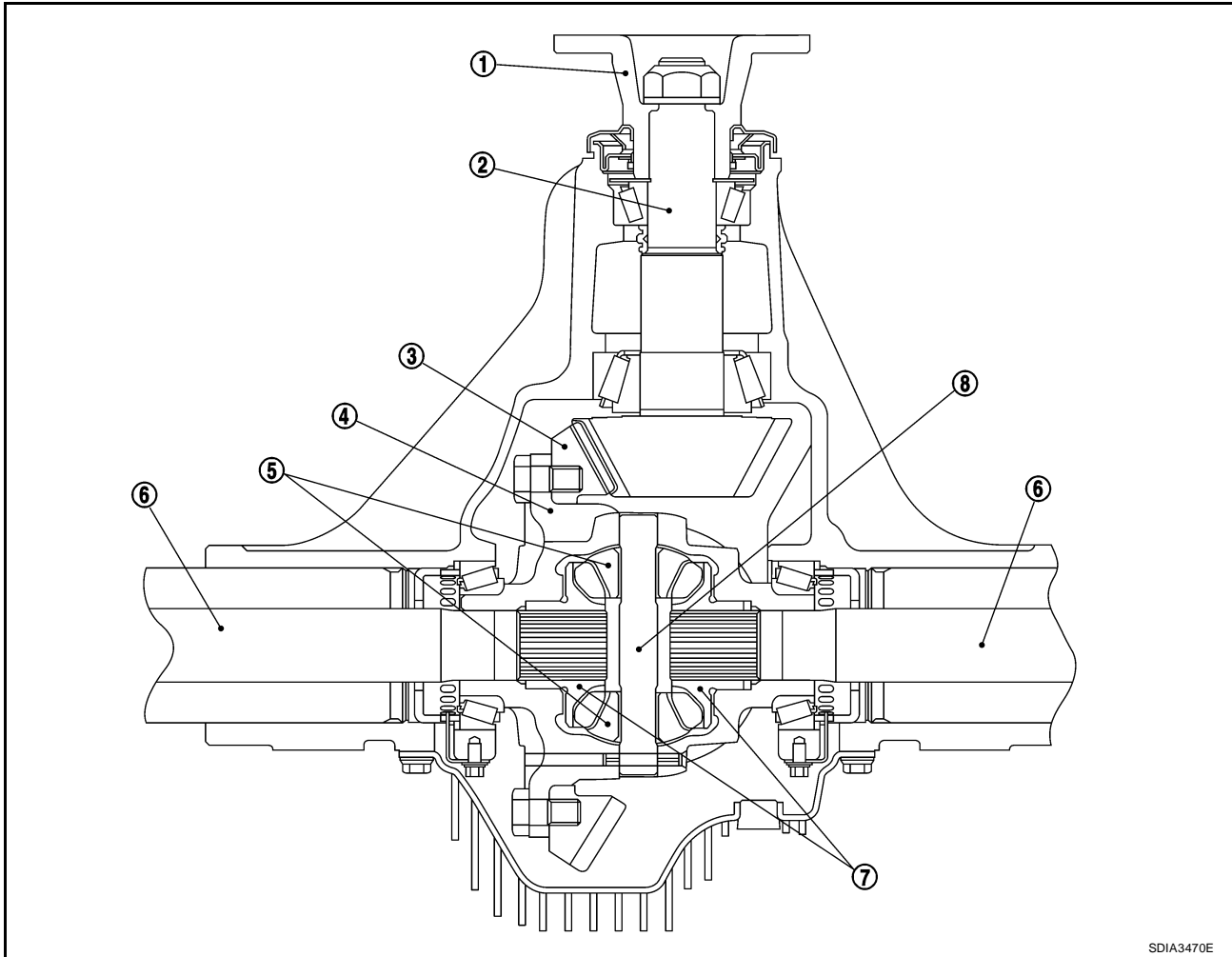
# DESCRIPTION [WITHOUT ELECTRONIC LOCKING DIFFERENTIAL]

PFP:00000

## DESCRIPTION

### Cross-Sectional View

EDS0010U



SDIA3470E

- |                      |                      |               |
|----------------------|----------------------|---------------|
| 1. Companion flange  | 2. Drive pinion      | 3. Drive gear |
| 4. Differential case | 5. Pinion mate gear  | 6. Axle shaft |
| 7. Side gear         | 8. Pinion mate shaft |               |

A

B

C

RFD

E

F

G

H

I

J

K

L

M

# DIFFERENTIAL GEAR OIL [WITHOUT ELECTRONIC LOCKING DIFFERENTIAL]

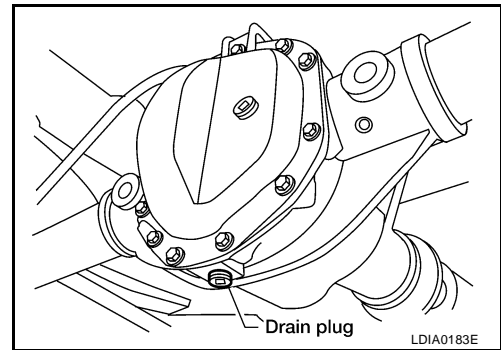
PF0:KLD30

## DIFFERENTIAL GEAR OIL

### Changing Differential Gear Oil DRAINING

EDS00450

1. Stop engine.
2. Remove the drain plug from the rear final drive assembly to drain the differential gear oil.
3. Install the drain plug with sealant applied on the threads to the rear final drive assembly. Tighten to the specified torque. Refer to [RFD-15, "COMPONENTS"](#).
  - Use High Performance Thread Sealant or equivalent. Refer to [GI-47, "Recommended Chemical Products and Sealants"](#).

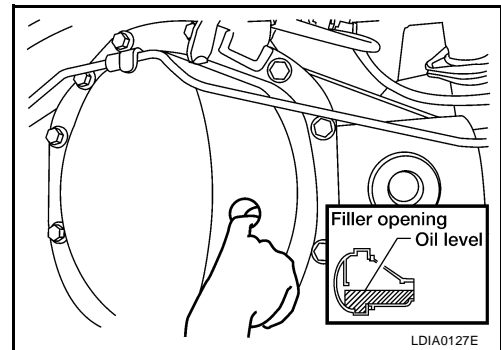


### FILLING

1. Remove the filler plug from the rear final drive assembly.
2. Fill the rear final drive assembly with new differential gear oil until the level reaches the specified level near the filler plug hole.

**Differential gear oil grade and capacity** : Refer to [MA-11, "Fluids and Lubricants"](#).

3. Install the filler plug with sealant applied on the threads to the rear final drive assembly. Tighten to the specified torque. Refer to [RFD-15, "COMPONENTS"](#).
  - Use High Performance Thread Sealant or equivalent. Refer to [GI-47, "Recommended Chemical Products and Sealants"](#).



### Checking Differential Gear Oil DIFFERENTIAL GEAR OIL LEAKAGE AND LEVEL

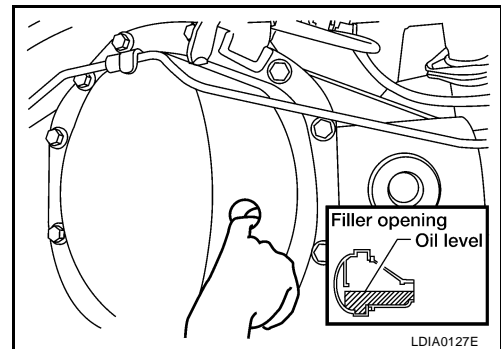
EDS0045R

1. Make sure that differential gear oil is not leaking from the rear final drive assembly or around it.
2. Check the differential gear oil level from the filler plug hole as shown.

#### **CAUTION:**

**Do not start engine while checking differential gear oil level.**

3. Install the filler plug with sealant applied on the threads to the rear final drive assembly. Tighten to the specified torque. Refer to [RFD-15, "COMPONENTS"](#).
  - Use High Performance Thread Sealant or equivalent. Refer to [GI-47, "Recommended Chemical Products and Sealants"](#).



# FRONT OIL SEAL [WITHOUT ELECTRONIC LOCKING DIFFERENTIAL]

PFP:38189

EDS0045S

## FRONT OIL SEAL

### Removal and Installation REMOVAL

1. Remove rear propeller shaft. Refer to [PR-8, "Removal and Installation"](#) .
2. Remove brake calipers and rotors. Refer to [BR-31, "Removal and Installation of Brake Caliper and Disc Rotor"](#) .
3. Measure the total preload torque. Refer to [RFD-16, "Total Preload Torque"](#) .

#### NOTE:

Record the total preload torque measurement.

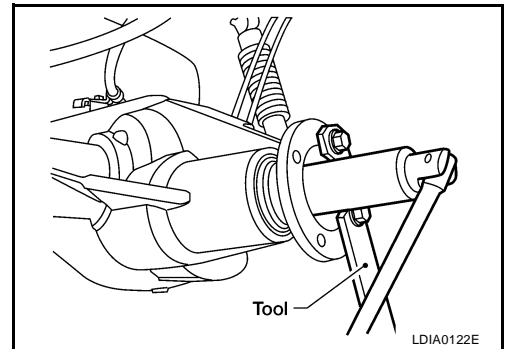
4. Remove the drive pinion nut using Tool.

**Tool number** : KV40104000 ( — )

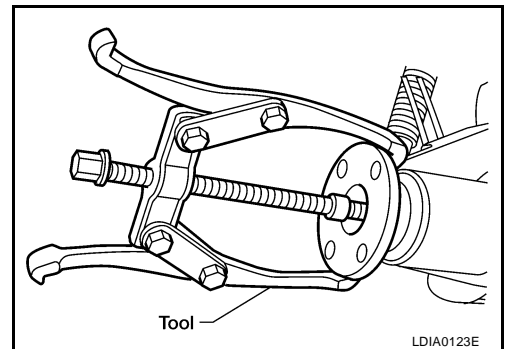
5. Put matching marks on the companion flange and drive pinion using paint.

#### CAUTION:

**Use paint to make the matching marks. Do not damage the companion flange or drive pinion.**

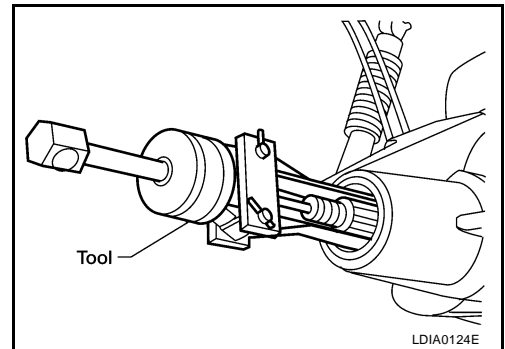


6. Remove the companion flange using suitable tool.



7. Remove the front oil seal using Tool.

**Tool number** : ST33290001 (J-34286)



A  
B  
C  
RFD  
E  
F  
G  
H  
I  
J  
K  
L  
M



# CARRIER COVER [WITHOUT ELECTRONIC LOCKING DIFFERENTIAL]

PF3:38351

## CARRIER COVER

### Removal and Installation REMOVAL

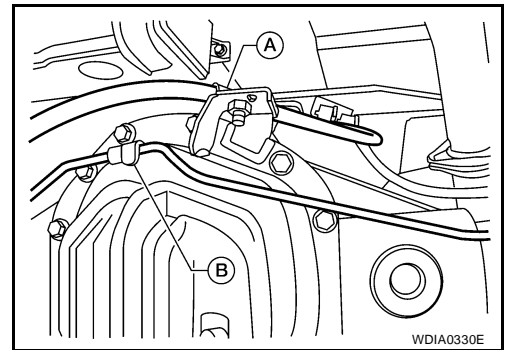
EDS0010Y

1. Drain the differential gear oil. Refer to [RFD-10, "DIFFERENTIAL GEAR OIL"](#).
2. Disconnect the parking brake cable (A) and brake tube (B) from the carrier cover.
3. Remove the carrier cover bolts and separate the carrier cover from the gear carrier using Tool.

**Tool number** : KV10111100 (J-37228)

#### CAUTION:

- Do not damage the mating surface.
- Do not insert flat-bladed screwdriver, this will damage the mating surface.

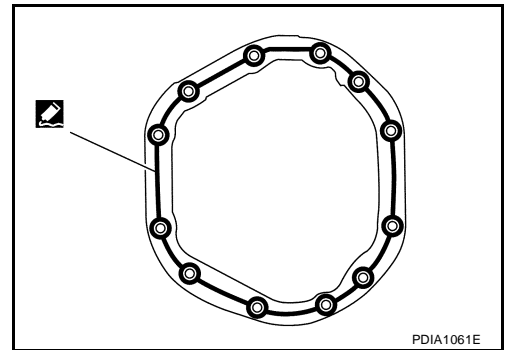


### INSTALLATION

1. Apply a bead of sealant to the mating surface of the carrier cover as shown.
  - Use Genuine Silicone RTV or equivalent. Refer to [GI-47, "Recommended Chemical Products and Sealants"](#).
2. Install the carrier cover to the gear carrier. Tighten the bolts to the specified torque. Refer to [RFD-15, "COMPONENTS"](#).
3. Connect the parking brake cable and brake tube to the carrier cover.
4. Fill the rear final drive assembly with recommended differential gear oil. Refer to [RFD-10, "DIFFERENTIAL GEAR OIL"](#).

#### CAUTION:

**Remove any old sealant adhering to the mating surfaces. Also remove any moisture, oil, or foreign material adhering to the application and mating surfaces.**



# REAR FINAL DRIVE ASSEMBLY [WITHOUT ELECTRONIC LOCKING DIFFERENTIAL]

## REAR FINAL DRIVE ASSEMBLY

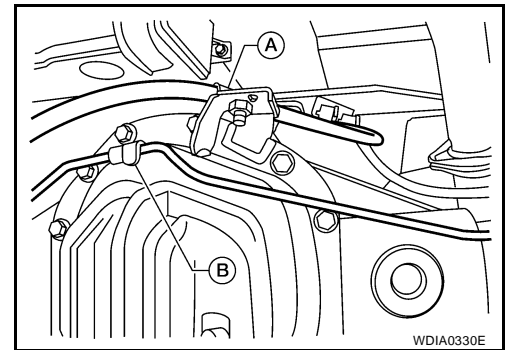
PF3:38300

### Removal and Installation REMOVAL

EDS0010Z

#### CAUTION:

- Do not damage spline, companion flange and front oil seal when removing propeller shaft.
  - Before removing final drive assembly or rear axle assembly, disconnect ABS sensor harness connector from the assembly and move it away from final drive/rear axle assembly area. Failure to do so may result in sensor wires being damaged and sensor becoming inoperative.
1. Drain the differential gear oil. Refer to [RFD-10, "DIFFERENTIAL GEAR OIL"](#) .
  2. Remove the rear propeller shaft. Refer to [PR-8, "Removal and Installation"](#) .
  3. Remove the axle shaft. Refer to [RAX-6, "Removal and Installation"](#) .
  4. Disconnect the following components from the rear final drive assembly.
    - Brake tube block connectors. Refer to [BR-14, "Removal and Installation of Rear Brake Piping and Brake Hose"](#) .
    - ABS sensor wire harness. Refer to [BRC-35, "Removal and Installation"](#) (without VDC), [BRC-139, "Removal and Installation"](#) (with VDC).
    - Parking brake cable (A).
    - Brake tube (A).



5. Disconnect brake hose from brake tube at the mounting clip on top of rear final drive assembly. Then remove the metal clip to disconnect brake line from the mounting clip on top of the rear final drive assembly.
6. Support rear final drive assembly using a suitable jack.
7. Remove rear shock absorber lower bolts. Refer to [RSU-7, "Removal and Installation"](#) .
8. Remove leaf spring U-bolt nuts. Refer to [RSU-8, "Removal and Installation"](#) .
9. Remove rear final drive assembly.

#### CAUTION:

Secure rear final drive assembly to the jack while removing it.

### INSTALLATION

Installation is in the reverse order of removal.

#### CAUTION:

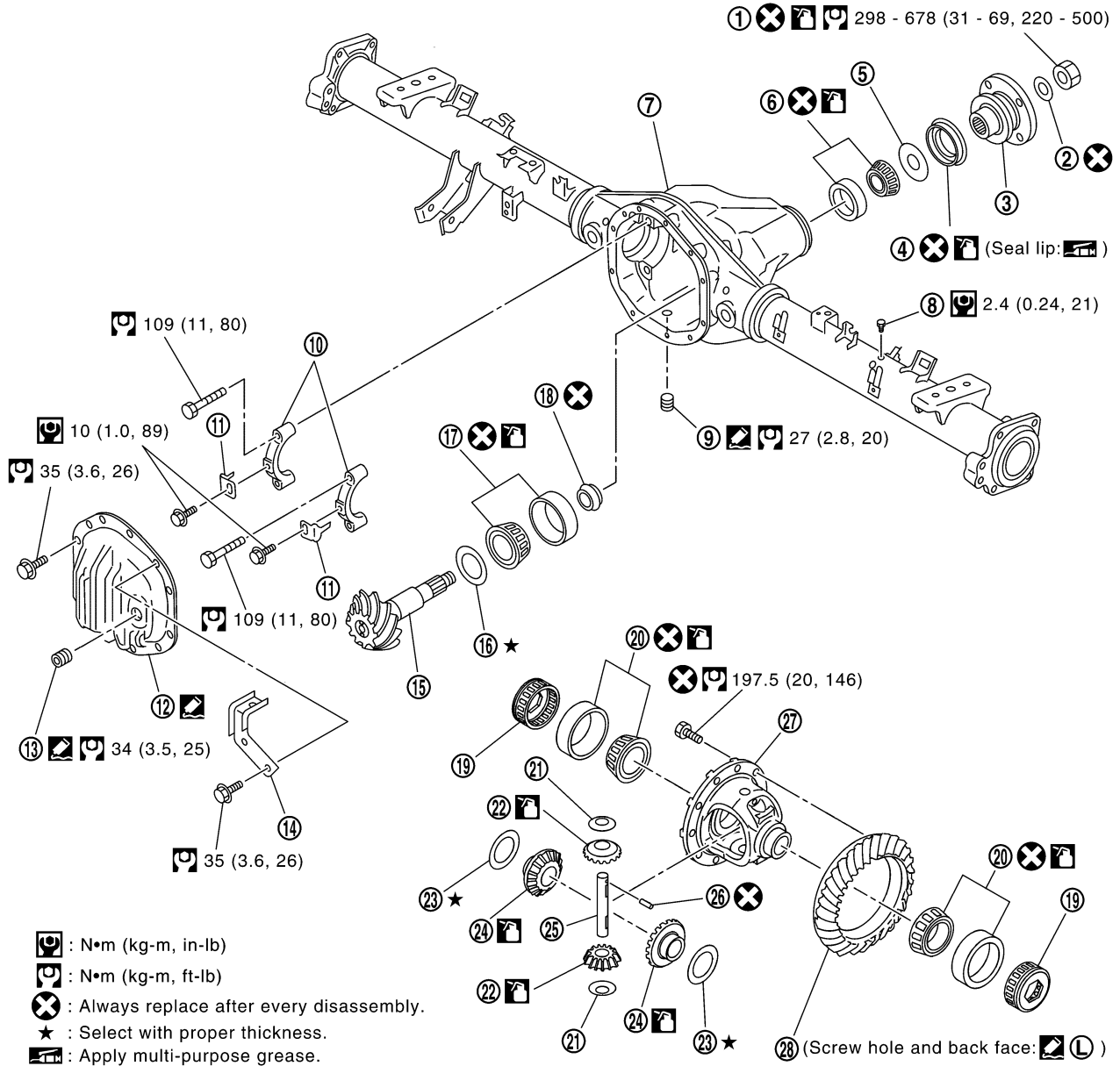
- Fill the rear final drive assembly with differential gear oil after installation. Refer to [RFD-10, "DIFFERENTIAL GEAR OIL"](#) .
- Bleed the air from brake system. Refer to [BR-12, "Bleeding Brake System"](#) .

# REAR FINAL DRIVE ASSEMBLY [WITHOUT ELECTRONIC LOCKING DIFFERENTIAL]

EDS001P0

## Disassembly and Assembly COMPONENTS

SEC. 380



- : N•m (kg-m, in-lb)
- : N•m (kg-m, ft-lb)
- : Always replace after every disassembly.
- : Select with proper thickness.
- : Apply multi-purpose grease.
- : Apply gear oil.
- : Apply Genuine Liquid Gasket, Three Bond TB1215 or equivalent.
- : Apply Genuine High Strength Thread Locking Sealant, Loctite 648 or equivalent.

- |                                          |                                             |                               |
|------------------------------------------|---------------------------------------------|-------------------------------|
| 1. Drive pinion lock nut                 | 2. Drive pinion lock nut washer             | 3. Companion flange           |
| 4. Front oil seal                        | 5. Drive pinion front bearing thrust washer | 6. Drive pinion front bearing |
| 7. Gear carrier                          | 8. Breather                                 | 9. Drain plug                 |
| 10. Side bearing cap                     | 11. Adjuster lock plate                     | 12. Carrier cover             |
| 13. Filler plug                          | 14. Bracket                                 | 15. Drive pinion              |
| 16. Drive pinion height adjusting washer | 17. Drive pinion rear bearing               | 18. Collapsible spacer        |
| 19. Side bearing adjuster                | 20. Side bearing                            | 21. Pinion mate thrust washer |
| 22. Pinion mate gear                     | 23. Side gear thrust washer                 | 24. Side gear                 |
| 25. Pinion mate shaft                    | 26. Lock pin                                | 27. Differential case         |
| 28. Drive gear                           |                                             |                               |

SDIA3471E

A  
B  
C  
RFD  
E  
F  
G  
H  
I  
J  
K  
L  
M

# REAR FINAL DRIVE ASSEMBLY [WITHOUT ELECTRONIC LOCKING DIFFERENTIAL]

## ASSEMBLY INSPECTION AND ADJUSTMENT

- Drain the differential gear oil before inspection and adjustment. Refer to [RFD-10, "DIFFERENTIAL GEAR OIL"](#).
- Remove and install the carrier cover as necessary for inspection and adjustment. Refer to [RFD-13, "CARRIER COVER"](#).

### Total Preload Torque

1. Rotate the drive pinion back and forth 2 to 3 times to check for unusual noise and rotation malfunction.
2. Rotate the drive pinion at least 20 times to check for smooth operation of the bearings.
3. Measure total preload torque using Tool.

**Tool number** : ST3127S000 (J-25765-A)

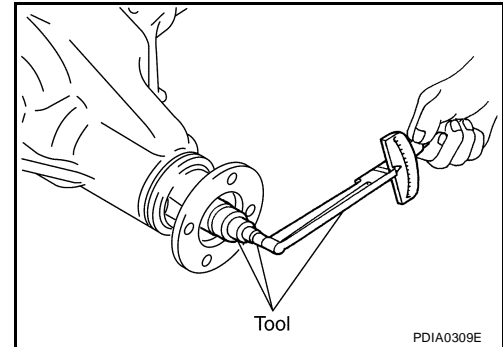
#### Total preload torque

**Gear ratio 2.937 Type:**

2.49 - 5.27 N·m (0.26 - 0.53 kg·m, 22 - 46 in·lb)

**Gear ratio 3.357 Type:**

2.38 - 5.16 N·m (0.25 - 0.52 kg·m, 21 - 45 in·lb)



### NOTE:

**Total preload torque = Drive pinion bearing preload torque + Side bearing preload torque**

- If the measured value is out of the specification, check and adjust each part. Adjust the drive pinion bearing preload torque first, then adjust the side bearing preload torque.

#### If the total preload torque is greater than specification

**On drive pinion bearings:** Replace collapsible spacer.

**On side bearings:** Loosen side bearing adjuster.

#### If the total preload torque is less than specification

**On drive pinion bearings:** Tighten drive pinion lock nut.

**On side bearings:** Tighten side bearing adjuster.

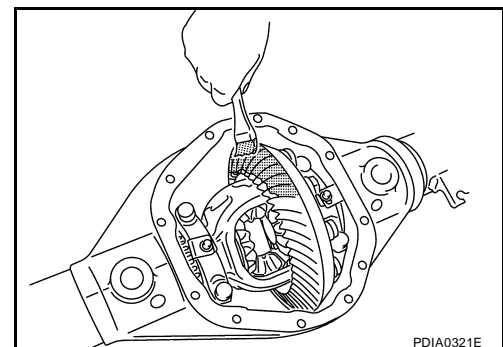
### Tooth Contact

Checking gear tooth contact pattern is necessary to verify correct relationship between drive gear and drive pinion. Gears which are not positioned in proper arrangement may be noisy and/or have a short life. Check gear tooth contact pattern to obtain the best contact for low noise and long life.

1. Thoroughly clean drive gear and drive pinion teeth.
2. Apply red lead to the drive gear.

### NOTE:

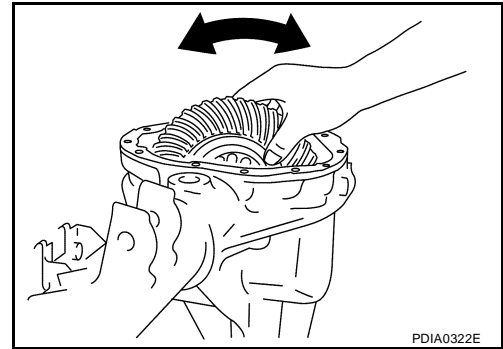
Apply red lead to both faces of three to four gears, at four locations evenly spaced on the drive gear.





# REAR FINAL DRIVE ASSEMBLY [WITHOUT ELECTRONIC LOCKING DIFFERENTIAL]

3. Hold companion flange steady by hand and rotate drive gear in both directions.



A  
B  
C  
RFD

Usually the pattern will be correct if washers are correctly calculated and the backlash is correct. However, in rare cases, trial and error processes may be employed to obtain a correct pattern. The tooth pattern is the best indication of how well a differential has been set up.

**Heel contact**

To correct, increase thickness of drive pinion height adjusting washer in order to bring drive pinion close to drive gear.

**Face contact**

To correct, reduce thickness of drive pinion height adjusting washer in order to make drive pinion go away from drive gear.

**Correct tooth contact**

When adjustment is completed, be sure to wipe off completely the red lead and oil or their equivalent.

SDIA2591E

E  
F  
G  
H  
I  
J

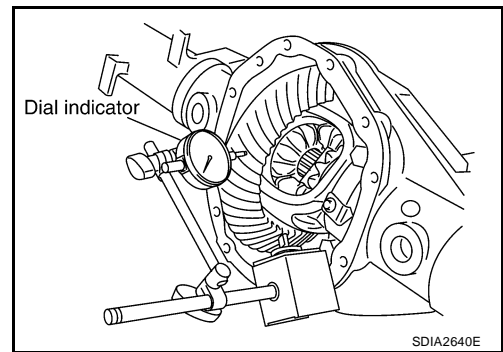
4. If outside the standard, adjust drive pinion height adjusting washer and backlash. Refer to [RFD-24, "Drive Pinion Height"](#) , [RFD-17, "Backlash"](#) .

### Backlash

1. Fit a dial indicator to the drive gear face to measure the backlash.

**Backlash:**            **0.08 - 0.13 mm (0.0031 - 0.0051 in)**

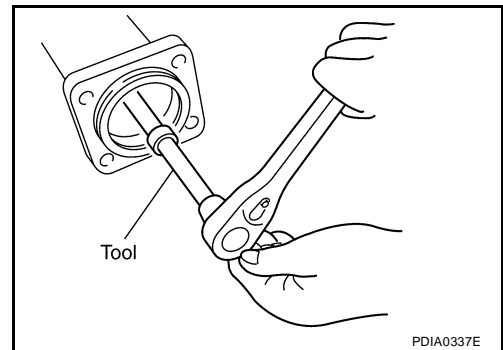
2. If the backlash is outside of the specification, adjust each side bearing side bearing adjuster.
  - a. Remove adjuster lock plate.
  - b. Loosen side bearing cap bolts.



K  
L  
M

- c. Tighten or loosen each side bearing adjusters using Tool.

**Tool number**        :        —        **(C - 4164)**



# REAR FINAL DRIVE ASSEMBLY [WITHOUT ELECTRONIC LOCKING DIFFERENTIAL]

If the backlash is greater than specification:

Loosen side bearing adjuster A and tighten side bearing adjuster B by the same amount.

If the backlash is less than specification:

Loosen side bearing adjuster B and tighten side bearing adjuster A by the same amount.

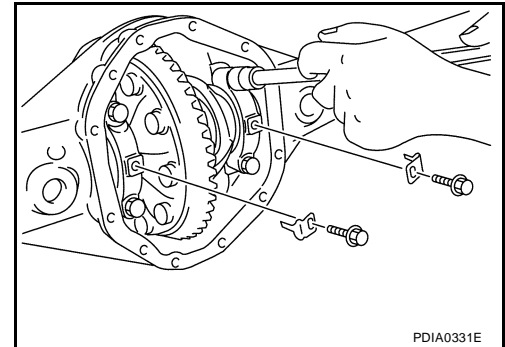
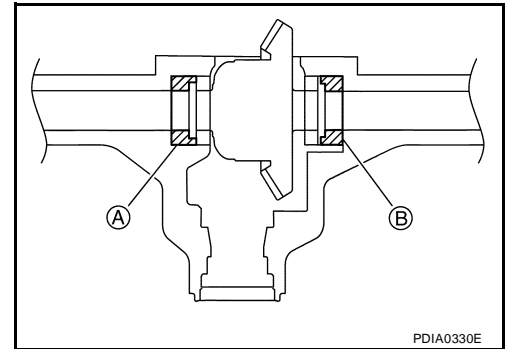
**CAUTION:**

Do not change the side bearing side bearing adjusters by different amounts as it will change the side bearing preload torque.

- d. Tighten side bearing cap bolts to the specified torque. Refer to [RFD-15, "COMPONENTS"](#).
- e. Install adjuster lock plate and tighten to the specified torque. Refer to [RFD-15, "COMPONENTS"](#).

**CAUTION:**

Check tooth contact and total preload torque after adjusting side bearing adjuster. Refer to [RFD-16, "Tooth Contact"](#) and [RFD-16, "Total Preload Torque"](#).



## Companion Flange Runout

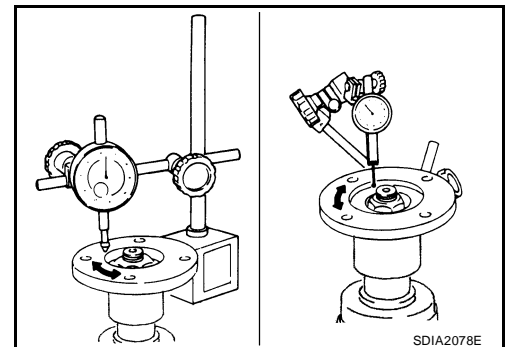
1. Rotate companion flange and check for runout on the companion flange face (inner side of the bolt holes) and companion flange inner side (socket diameter) using suitable tool.

**Runout limit**

**Companion flange face: 0.10 mm (0.0039 in)**

**Companion flange inner side: 0.13 mm (0.0051 in)**

2. If the runout is outside the runout limit, follow the procedure below to adjust.
  - a. Rotate the companion flange on the drive pinion by 90°, 180° and 270° while checking for the position where the runout is minimum.
  - b. If the runout is still outside of the runout limit after the companion flange has been rotated on the drive pinion, possible cause could be an assembly malfunction of drive pinion and drive pinion bearing or a malfunctioning drive pinion bearing.
  - c. If the runout is still outside of the runout limit after repair of the assembly of drive pinion and drive pinion bearing or drive pinion bearing, replace the companion flange.



# REAR FINAL DRIVE ASSEMBLY [WITHOUT ELECTRONIC LOCKING DIFFERENTIAL]

## DISASSEMBLY

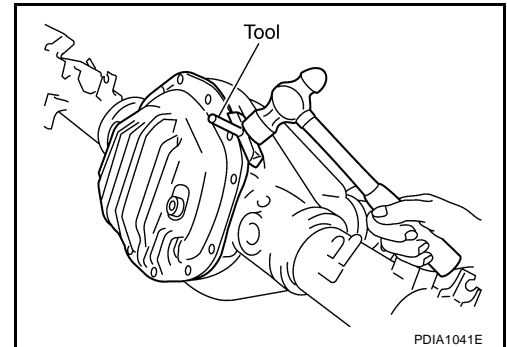
### Differential Assembly

1. Remove carrier cover bolts.
2. Remove carrier cover using Tool.

**Tool number** : KV10111100 (J-37228)

**CAUTION:**

- Do not damage the mating surface.
- Do not insert flat-bladed screwdriver, this will damage the mating surface.

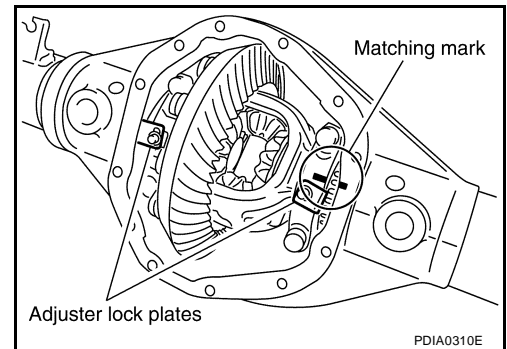


3. For proper reinstallation, paint matching mark on one side of side bearing cap.

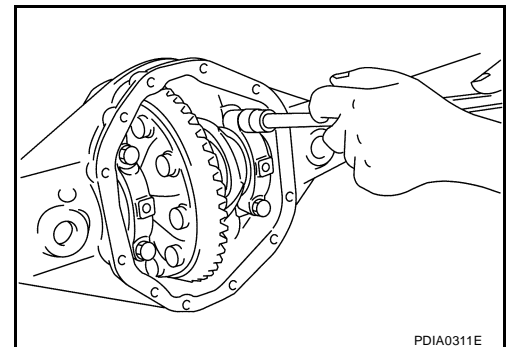
**CAUTION:**

- Side bearing caps are line-board for initial assembly. The matching marks are used to reinstall them in their original positions.
- For matching mark, use paint. Do not damage side bearing cap.

4. Remove adjuster lock plates.

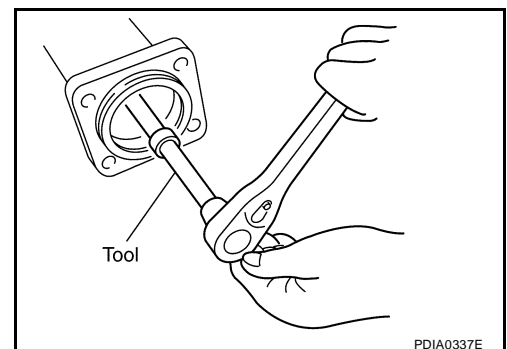


5. Remove side bearing caps.



6. Remove side bearing adjusters using Tool.

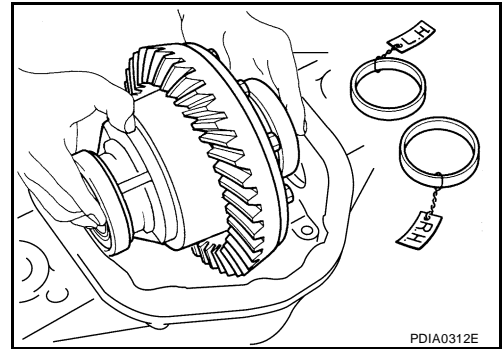
**Tool number** : — (C - 4164)



A  
B  
C  
RFD  
E  
F  
G  
H  
I  
J  
K  
L  
M

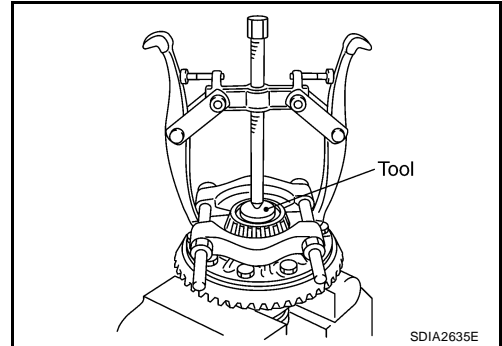
# REAR FINAL DRIVE ASSEMBLY [WITHOUT ELECTRONIC LOCKING DIFFERENTIAL]

7. Keep side bearing outer races together with inner races. Do not mix them up. Also, keep side bearing adjusters together with bearing.
8. Remove side bearing adjusters from gear carrier.



9. Remove side bearing inner races using suitable puller.

**CAUTION:**  
Do not damage differential case.

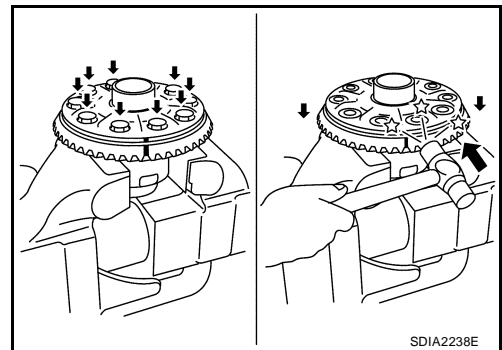


10. For proper reinstallation, paint matching mark on differential case and drive gear.

**CAUTION:**  
Use paint for matching marks. Do not damage differential case or drive gear.

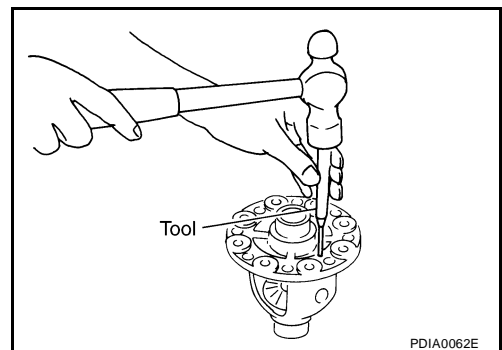
11. Remove drive gear bolts.
12. Tap the drive gear off the differential case using suitable tool.

**CAUTION:**  
Tap evenly all around to keep drive gear from binding.

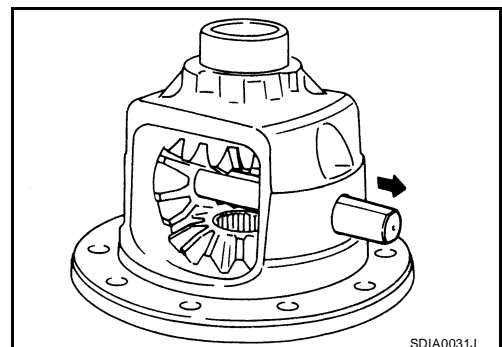


13. Remove the lock pin of the pinion mate shaft from the drive gear side using Tool.

**Tool number** : ST23550000 ( — )

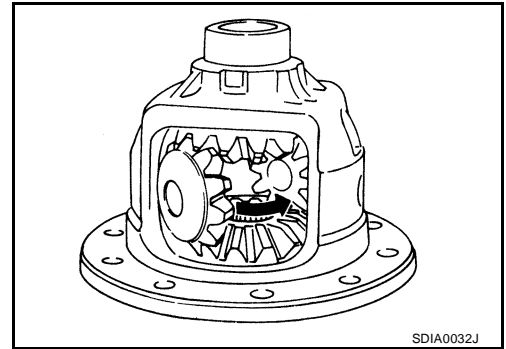


14. Remove the pinion mate shaft.



# REAR FINAL DRIVE ASSEMBLY [WITHOUT ELECTRONIC LOCKING DIFFERENTIAL]

15. Turn the pinion mate gear, then remove the pinion mate gear, pinion mate thrust washer, side gear and side gear thrust washer from differential case.



A  
B  
C

RFD

## Drive Pinion Assembly

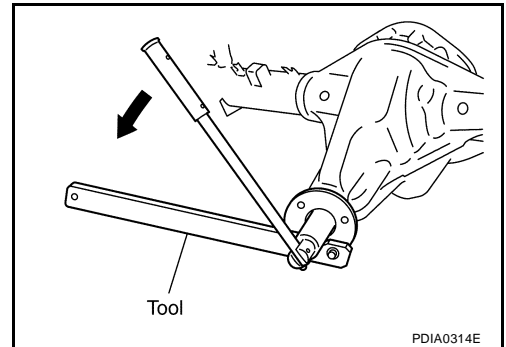
1. Remove differential case assembly. Refer to [RFD-19, "Differential Assembly"](#).
2. Remove drive pinion lock nut and washer using Tool.

**Tool number** : KV40104000 ( — )

3. Put matching marks on the companion flange and drive pinion using paint.

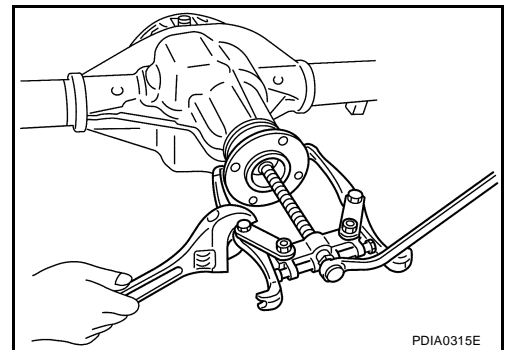
### CAUTION:

**Use paint to make the matching marks. Do not damage the companion flange or drive pinion.**



E  
F  
G

4. Remove companion flange using suitable Tool.



H  
I  
J  
K

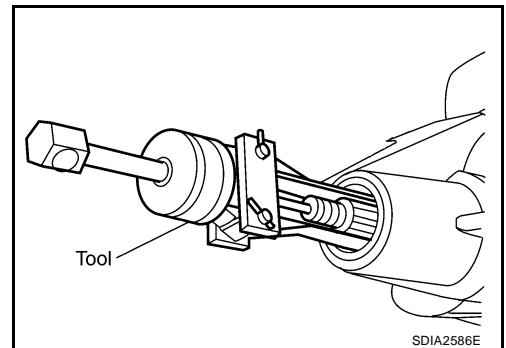
5. Remove front oil seal using Tool.

**Tool number** : ST33290001 (J-34286)

### CAUTION:

**Do not damage gear carrier.**

6. Remove drive pinion front bearing thrust washer.



L  
M

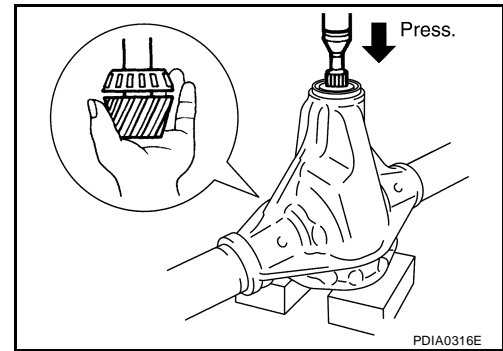
## REAR FINAL DRIVE ASSEMBLY [WITHOUT ELECTRONIC LOCKING DIFFERENTIAL]

7. Remove drive pinion assembly (with rear inner bearing race and collapsible spacer) out of gear carrier.

**CAUTION:**

**Do not drop drive pinion assembly.**

8. Remove drive pinion front bearing inner race from gear carrier.



9. Tap drive pinion front bearing outer race uniformly with a brass bar or equivalent to remove.

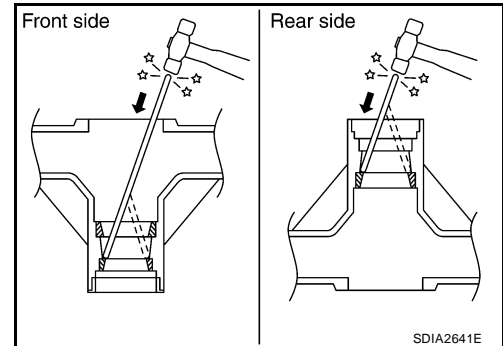
**CAUTION:**

**Do not damage gear carrier.**

10. Tap drive pinion rear bearing outer race uniformly with a brass bar or equivalent for removal.

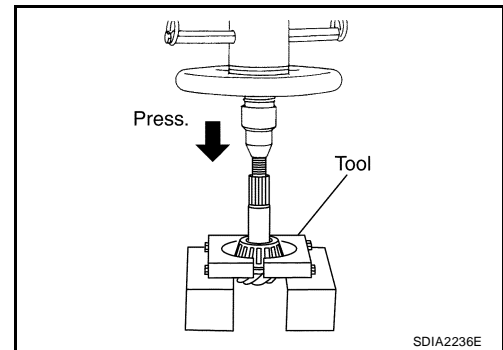
**CAUTION:**

**Do not damage gear carrier.**



11. Remove drive pinion rear bearing inner race and drive pinion height adjusting washer using Tool.

**Tool number : ST30021000 (J-22912-01)**



### INSPECTION AFTER DISASSEMBLY

Clean the disassembled parts. Then inspect the parts for wear or damage. If wear or damage are found, follow the measures below.

#### Drive Pinion and Drive Gear

- If the drive pinion and drive gear teeth do not mesh or line-up correctly, determine the cause and adjust, repair, or replace as necessary.
- If the drive pinion or drive gear are worn, cracked, damaged, pitted or chipped (by friction) noticeably, replace with new drive pinion and drive gear.
- Drive pinion and drive gear are supplied in matched sets only. Matching numbers on both drive pinion and drive gear are etched for verification. If a new drive pinion and drive gear set are being used, verify the numbers of each drive pinion and drive gear before proceeding with assembly.

#### Bearing

- If bearings are chipped (by friction), pitted, worn, rusted, scratched, or unusual noise is coming from bearing, replace with new bearing assembly (as a new set).
- Bearing must be replaced with a new one whenever disassembled.

#### Side Gear and Pinion Mate Gear

- If any cracks or damage are found on the surface of the teeth, replace with new one.
- If any worn or chipped marks are found on the side of the side gear and pinion mate gear which contact the thrust washer, replace with new one.
- Replace both side gear and pinion mate gear as a set when replacing side gear or pinion mate gear.

# REAR FINAL DRIVE ASSEMBLY

## [WITHOUT ELECTRONIC LOCKING DIFFERENTIAL]

### Side Gear Thrust Washer and Pinion Mate Thrust Washer

- If any chips (by friction), damage, or unusual wear are found, replace with new one.

### Gear Carrier

- If any wear or cracks are found on the contact sides of gear carrier, replace with new one.

### Companion Flange

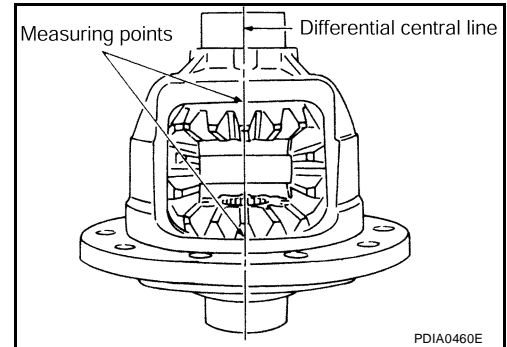
- If any chips (about 0.1mm, 0.004 in) or other damage on the companion flange surface which contacts the front oil seal lips are found, replace with new one.

## SELECTION ADJUSTING WASHERS

### Side Gear Back Clearance

- Assemble the differential parts if they are disassembled. Refer to [RFD-28, "Differential Assembly"](#) .

1. Place the differential case straight up so that the side gear to be measured is upward.



2. Using feeler gauges, measure the clearance between the side gear back and differential case at three different points, while rotating the side gear. Average the three readings to calculate the clearance. (Measure the clearance of the other side as well.)

**Side gear back clearance: 0.305 mm (0.0120 in) or less.**

- If the side gear back clearance is outside of the specification, use a thicker or thinner side gear thrust washer to adjust. Refer to [RFD-33, "Side Gear Thrust Washer"](#) .

**If the side gear back clearance is greater than specification:**

**Use a thicker side gear thrust washer.**

**If the side gear back clearance is less than specification:**

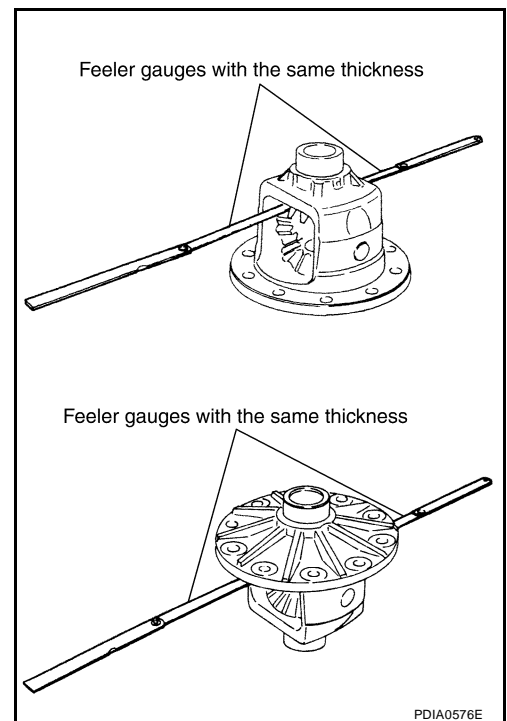
**Use a thinner side gear thrust washer.**

### CAUTION:

- Insert feeler gauges with the same thickness on both sides to prevent side gear from tilting.
- Each gear should rotate smoothly without excessive resistance during differential motion.
- Select a side gear thrust washer for right and left individually.

### NOTE:

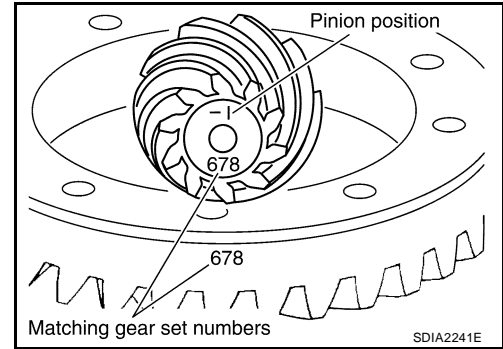
Side gear back clearance is clearance between side gear and differential case for adjusting side gear backlash.



# REAR FINAL DRIVE ASSEMBLY [WITHOUT ELECTRONIC LOCKING DIFFERENTIAL]

## Drive Pinion Height

- Drive gear and drive pinion are supplied in matched sets only. Matching numbers on both drive pinion and drive gear are etched for verification. If a new gear set is being used, verify the numbers of each drive pinion and drive gear before proceeding with assembly.



- The mounting distance from the center line of drive gear to the back face of drive pinion for the Model 226 final drive assembly is 109.5 mm (4.312 in). On the button end of each drive pinion, there is etched a plus (+) number, a minus (-) number, or a zero (0), which indicates the best running position for each particular gear set. This dimension is controlled by a selective drive pinion height adjusting washer between drive pinion inner bearing race and drive pinion. For example: If a drive pinion is etched m+8 (+3), it would require 0.08 mm (0.003 in) less drive pinion height adjusting washer than a drive pinion etched "0". This means decreasing drive pinion height adjusting washer thickness; increases the mounting distance of drive pinion to 109.6 mm (4.315 in). If a drive pinion is etched m-8 (-3), it would require adding 0.08 mm (0.003 in) more to drive pinion height adjusting washer than would be required if drive pinion were etched "0". By adding 0.08 mm (0.003 in), the mounting distance of drive pinion was decreased to 109.4 mm (4.309 in) which is just what m-8 (-3) etching indicated.
- To change drive pinion adjustment, use different drive pinion height adjusting washers which come in different thickness.
- Use the following tables as a guide for selecting the correct drive pinion height adjusting washer thickness to add or subtract from the old drive pinion height adjusting washer.

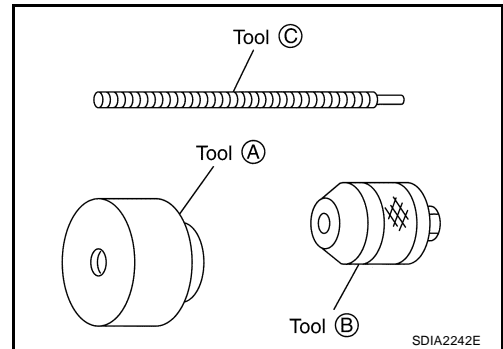
OLD DRIVE PINION MARKING	NEW DRIVE PINION MARKING mm (in)								
	-10 (-4)	-8 (-3)	-5 (-2)	-3 (-1)	0 (0)	+3 (+1)	+5 (+2)	+8 (+3)	+10 (+4)
+10 (+4)	+0.20 (+0.008)	+0.18 (+0.007)	+0.15 (+0.006)	+0.13 (+0.005)	+0.10 (+0.004)	+0.08 (+0.003)	+0.05 (+0.002)	+0.02 (+0.001)	0 (0)
+8 (+3)	+0.18 (+0.007)	+0.15 (+0.006)	+0.13 (+0.005)	+0.10 (+0.004)	+0.08 (+0.003)	+0.05 (+0.002)	+0.02 (+0.001)	0 (0)	-0.02 (-0.001)
+5 (+2)	+0.15 (+0.006)	+0.13 (+0.005)	+0.10 (+0.004)	+0.08 (+0.003)	+0.05 (+0.002)	+0.02 (+0.001)	0 (0)	-0.02 (-0.001)	-0.05 (-0.002)
+3 (+1)	+0.13 (+0.005)	+0.10 (+0.004)	+0.08 (+0.003)	+0.05 (+0.002)	+0.02 (+0.001)	0 (0)	-0.02 (-0.001)	-0.05 (-0.002)	-0.08 (-0.003)
0 (0)	+0.10 (+0.004)	+0.08 (+0.003)	+0.05 (+0.002)	+0.02 (+0.001)	0 (0)	-0.02 (-0.001)	-0.05 (-0.002)	-0.08 (-0.003)	-0.10 (-0.004)
-3 (-1)	+0.08 (+0.003)	+0.05 (+0.002)	+0.02 (+0.001)	0 (0)	-0.02 (-0.001)	-0.05 (-0.002)	-0.08 (-0.003)	-0.10 (-0.004)	-0.13 (-0.005)
-5 (-2)	+0.05 (+0.002)	+0.02 (+0.001)	0 (0)	-0.02 (-0.001)	-0.05 (-0.002)	-0.08 (-0.003)	-0.10 (-0.004)	-0.13 (-0.005)	-0.15 (-0.006)
-8 (-3)	+0.02 (+0.001)	0 (0)	-0.02 (-0.001)	-0.05 (-0.002)	-0.08 (-0.003)	-0.10 (-0.004)	-0.13 (-0.005)	-0.15 (-0.006)	-0.18 (-0.007)
-10 (-4)	0 (0)	-0.02 (-0.001)	-0.05 (-0.002)	-0.08 (-0.003)	-0.10 (-0.004)	-0.13 (-0.005)	-0.15 (-0.006)	-0.18 (-0.007)	-0.20 (-0.008)



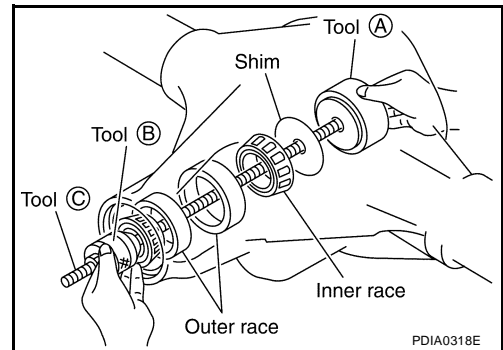
# REAR FINAL DRIVE ASSEMBLY [WITHOUT ELECTRONIC LOCKING DIFFERENTIAL]

1. Make sure all parts are clean and that drive pinion bearings are well lubricated.
2. Assemble drive pinion bearings into Tools.

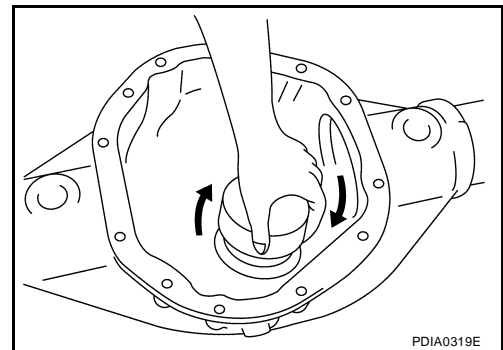
<b>Tool number</b>	<b>A:</b> —	<b>(8144)</b>
	<b>B:</b> —	<b>(6740)</b>
	<b>C:</b> —	<b>(6741)</b>



3. Install drive pinion bearing inner race and drive pinion height adjusting washer to gear carrier using tool as shown.



4. Turn the assembly several times to seat drive pinion bearings.

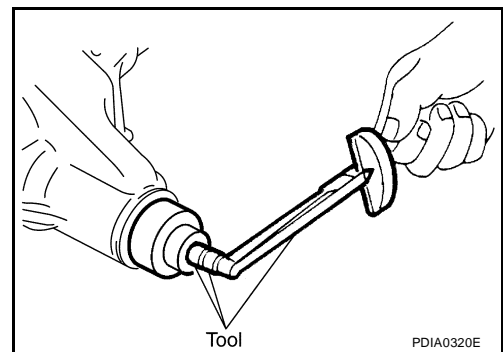


5. Measure the turning torque using Tool.

**Tool number : ST3127S000 (J-25765-A)**

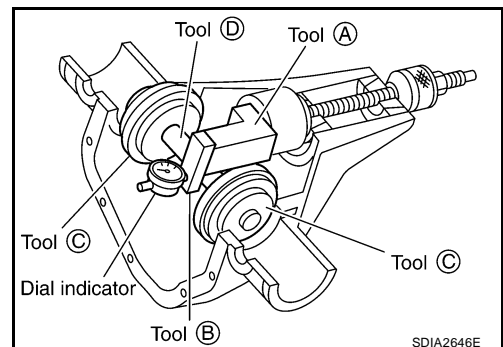
**Turning torque specification:**

**1.2 - 2.8 N-m (0.13 - 0.28 kg-m, 11 - 24 in-lb)**



6. Tighten side bearing caps to the specified torque installing Tools as shown.

<b>Tool number</b>	<b>A:</b> —	<b>(6739)</b>
	<b>B:</b> —	<b>(D-115-2)</b>
	<b>C:</b> —	<b>TBD</b>
	<b>D:</b> —	<b>(D-115-3)</b>

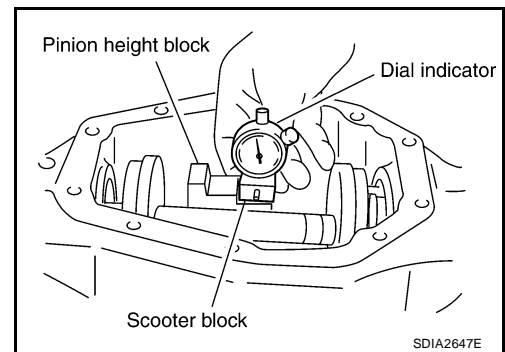


A  
B  
C  
RFD

E  
F  
G  
H  
I  
J  
K  
L  
M

## REAR FINAL DRIVE ASSEMBLY [WITHOUT ELECTRONIC LOCKING DIFFERENTIAL]

7. Put scooter block on pinion height block. Make sure that dial indicator is level adjusting pressure with a hand. Dial indicator indicates "0".
8. Slide dial indicator along arbor. Record the maximum.
9. Adjust drive pinion height adjusting washer so that the maximum will be "0".



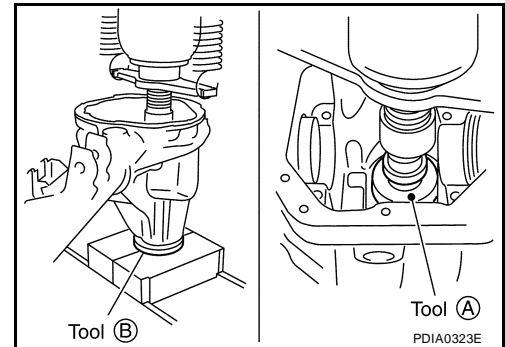
### ASSEMBLY

#### Drive Pinion Assembly

1. Press a drive pinion rear bearing outer race into gear carrier using Tools.

**Tool number**     **A: ST01500001 ( — )**  
                               **B: ST30022000 ( — )**

**CAUTION:**  
**Do not reuse drive pinion rear bearing.**

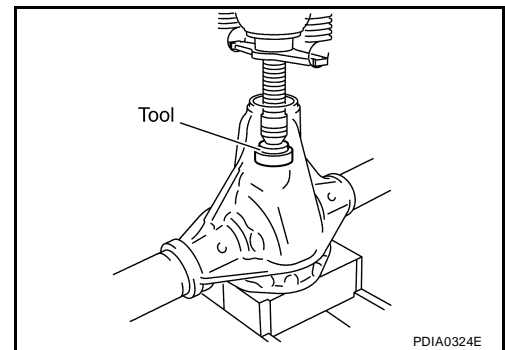


2. Press a drive pinion front bearing outer race into gear carrier using Tool.

**Tool number**     **: ST33022000 ( — )**

**CAUTION:**  
**Do not reuse drive pinion front bearing.**

3. Select drive pinion height adjusting washer. Refer to [RFD-24, "Drive Pinion Height"](#) .

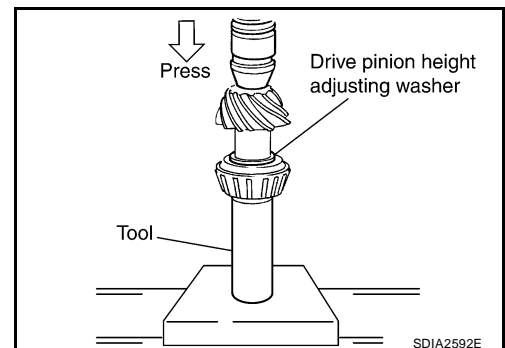


4. Press a new drive pinion rear bearing inner race and drive pinion height adjusting washer to drive pinion using Tool.

**Tool number**     **: — (C - 4040)**

**CAUTION:**  
**Do not reuse drive pinion rear bearing.**

5. Apply gear oil to drive pinion rear bearing and drive pinion front bearing.
6. Install drive pinion front bearing inner race in gear carrier.
7. Install drive pinion front bearing thrust washer to gear carrier.



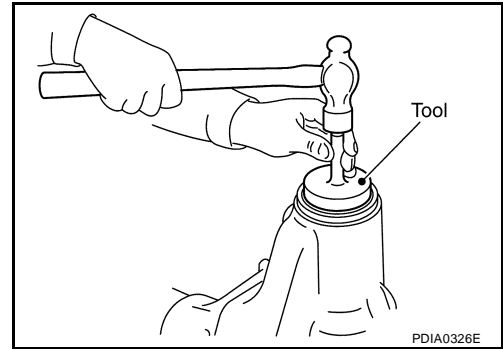
## REAR FINAL DRIVE ASSEMBLY [WITHOUT ELECTRONIC LOCKING DIFFERENTIAL]

8. Apply multi-purpose grease to new front oil seal lip. Install front oil seal into gear carrier using Tool.

**Tool number** : ST15310000 ( — )

**CAUTION:**

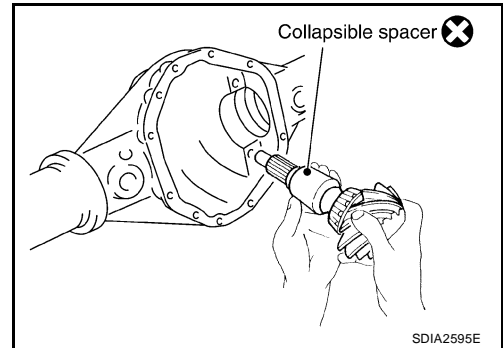
- Do not reuse front oil seal.
- Do not incline the new front oil seal when installing.
- Apply multi-purpose grease to the lips of the new front oil seal.



9. Install new collapsible spacer to drive pinion. And then install drive pinion assembly in gear carrier.

**CAUTION:**

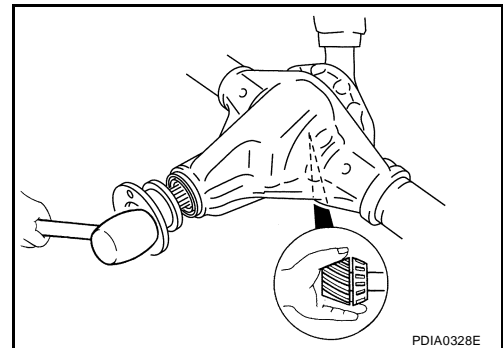
- Do not reuse collapsible spacer.
- Do not damage front oil seal.



10. Install the companion flange to the drive pinion.  
11. Install the companion flange onto the drive pinion while aligning the matching marks. Then tap the companion flange using suitable tool.

**CAUTION:**

**Do not damage companion flange or front oil seal.**



A

B

C

RFD

E

F

G

H

I

J

K

L

M

## REAR FINAL DRIVE ASSEMBLY [WITHOUT ELECTRONIC LOCKING DIFFERENTIAL]

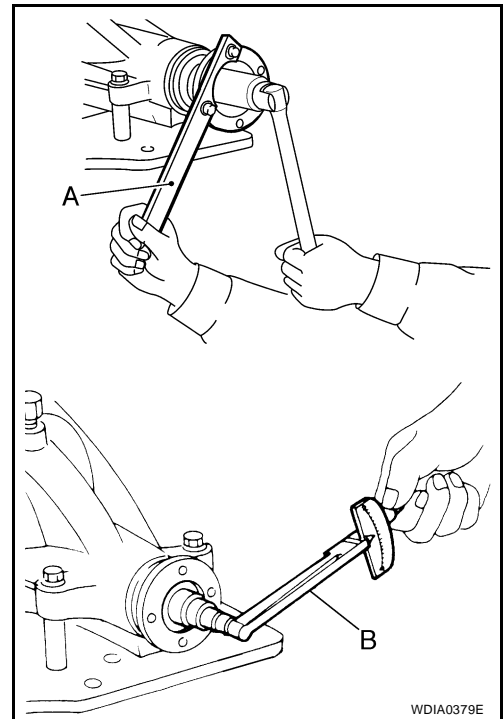
12. Apply anti-corrosive oil to the threads of the drive pinion and the seating surface of the new drive pinion lock nut and new drive pinion lock nut washer. Then adjust the drive pinion lock nut tightening torque using Tool A, and check the drive pinion bearing preload torque using Tool B.

**Tool number**    **A:** KV40104000 ( — )  
                          **B:** ST3127S000 (J-25765-A)

**Drive pinion bearing preload torque:**  
**1.7 - 3.8 N·m (0.18 - 0.38 kg·m, 15 - 33 in·lb)**

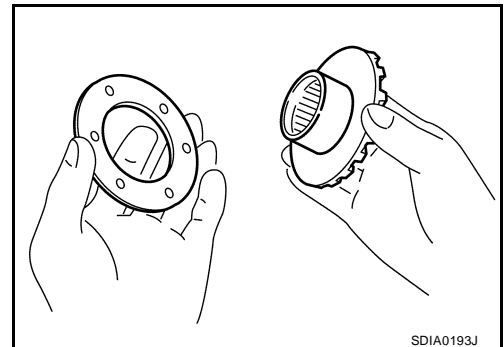
### CAUTION:

- Do not reuse drive pinion lock nut or drive pinion lock nut washer.
- Apply anti-corrosive oil to the threads of the drive pinion and the seating surface of the new drive pinion lock nut.
- Adjust the drive pinion lock nut tightening torque to the lower limit first. Do not exceed the drive pinion lock nut specified torque. Refer to [RFD-15, "COMPONENTS"](#).
- If the drive pinion bearing preload torque exceeds the specified value, replace collapsible spacer and tighten it again to adjust. Do not loosen drive pinion lock nut to adjust the drive pinion bearing preload torque.
- After adjustment, rotate drive pinion back and forth 2 to 3 times to check for unusual noise, rotation malfunction, and other malfunctions.

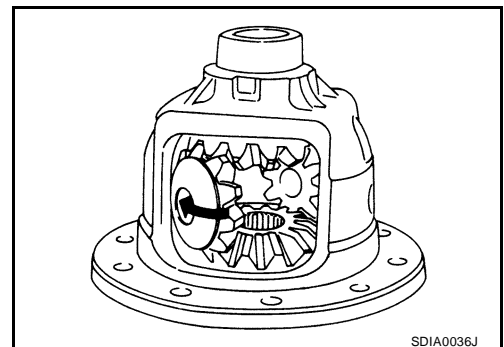


### Differential Assembly

1. Assemble side gear thrust washers with the same thickness as the ones installed prior to disassembly or reinstall the old ones on side gears.
2. Assemble side gear and side gear thrust washer into differential case.

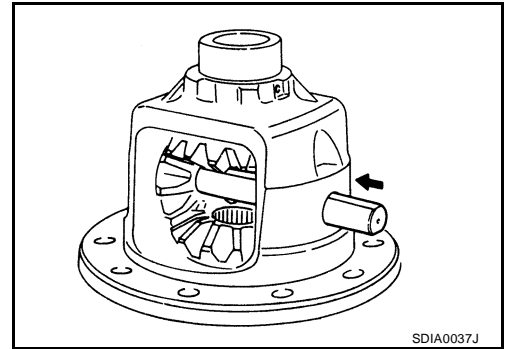


3. Align 2 pinion mate gears in diagonally opposite positions, then rotate and assemble them into differential case after assembling pinion mate thrust washer to pinion mate gear.



## REAR FINAL DRIVE ASSEMBLY [WITHOUT ELECTRONIC LOCKING DIFFERENTIAL]

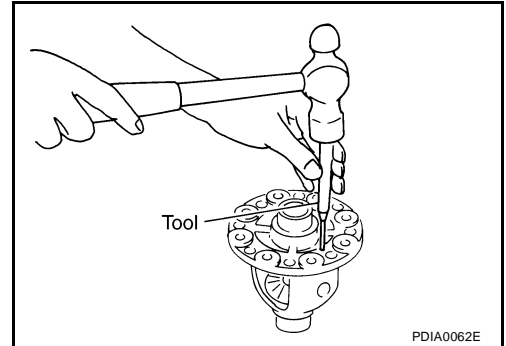
4. Align lock pin holes on differential case and shaft, and assemble pinion mate shaft.
5. Measure side gear end play. If necessary, select the appropriate side gear thrust washers. Refer to [RFD-33, "Side Gear Thrust Washer"](#).



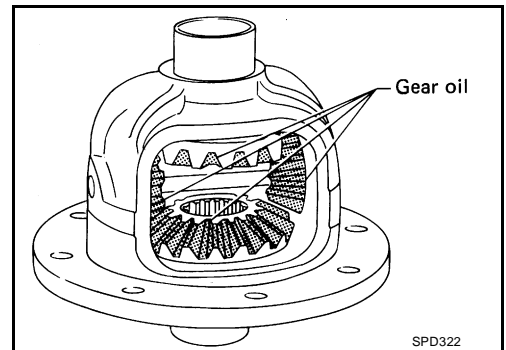
6. Drive a new lock pin into pinion mate shaft, using Tool.

**Tool number** : ST23550000 ( — )

**CAUTION:**  
Do not reuse lock pin.

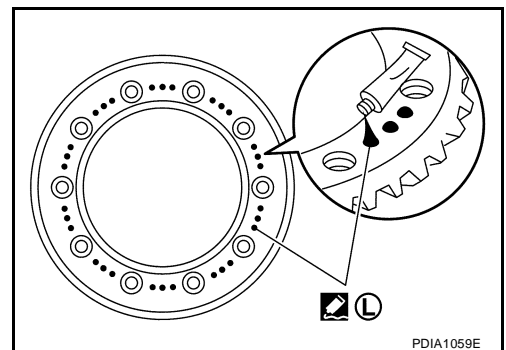


7. Apply gear oil to gear tooth surfaces and thrust surfaces and check to see they turn properly.

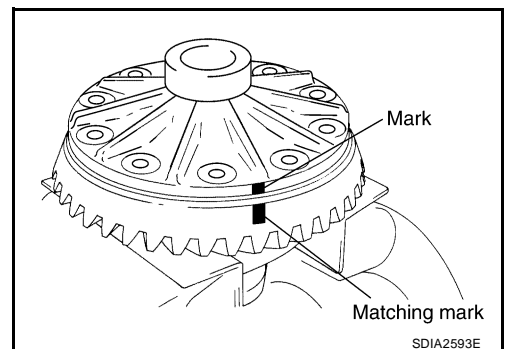


8. Apply thread locking sealant to the back face of drive gear as shown.

- Use Genuine High Strength Thread Locking Sealant Loctite 648 or equivalent. Refer to [GI-47, "Recommended Chemical Products and Sealants"](#).



9. Align the matching mark of differential case with the mark of drive gear, then install drive gear.



A  
B  
C  
RFD  
E  
F  
G  
H  
I  
J  
K  
L  
M

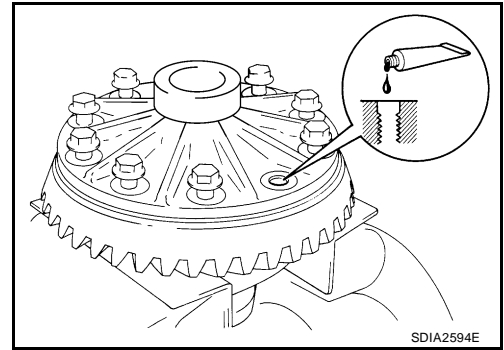
## REAR FINAL DRIVE ASSEMBLY [WITHOUT ELECTRONIC LOCKING DIFFERENTIAL]

10. Apply thread locking sealant into the threaded holes of the drive gear and install the bolts.

- Use Genuine Medium Strength Thread Locking Sealant or equivalent. Refer to [GI-47, "Recommended Chemical Products and Sealants"](#).

**CAUTION:**

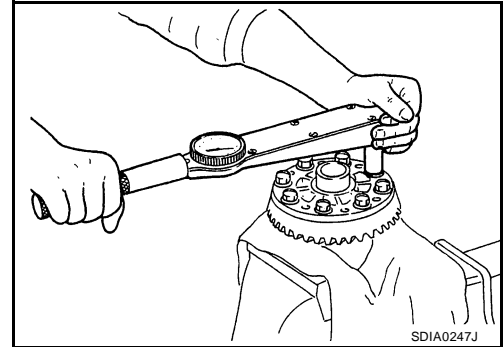
Make sure the drive gear back and threaded holes are clean.



11. Install new drive gear bolts, and then tighten to the specified torque. Refer to [RFD-15, "COMPONENTS"](#).

**CAUTION:**

- Do not reuse the bolts.
- Tighten bolts in a crisscross fashion.



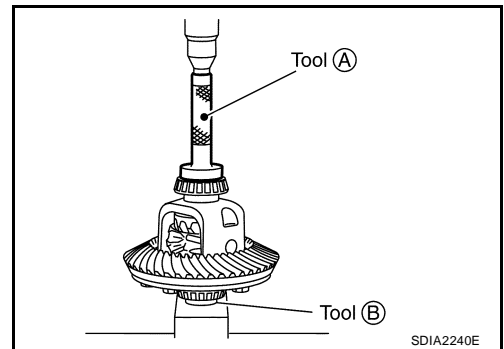
12. Press new side bearing inner races to differential case using Tools.

Tool number     **A: KV38100300 (J-25523)**

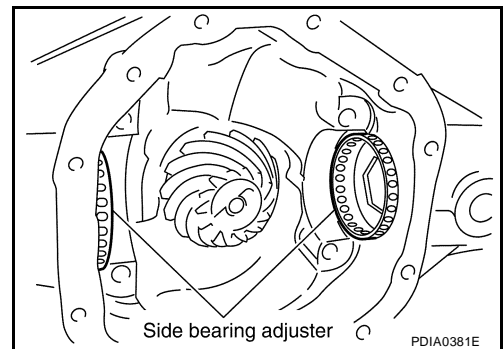
**B: ST33081000 ( — )**

**CAUTION:**

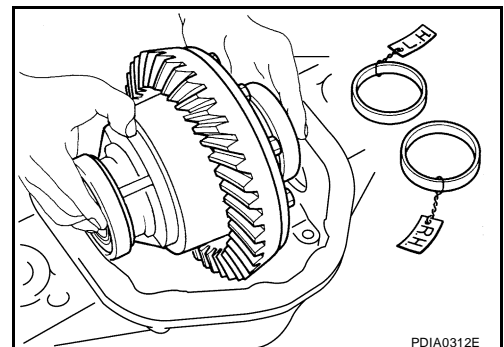
Do not reuse side bearing.



13. Install side bearing adjusters into gear carrier.



14. Apply gear oil to side bearings. Install differential case assembly with side bearing outer races into gear carrier.

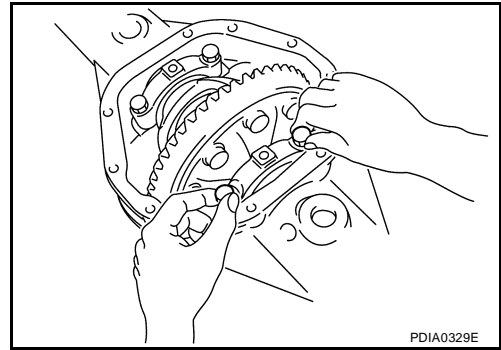


## REAR FINAL DRIVE ASSEMBLY [WITHOUT ELECTRONIC LOCKING DIFFERENTIAL]

15. Align paint matching mark on side bearing caps with that on gear carrier and install side bearing caps on gear carrier.

**CAUTION:**

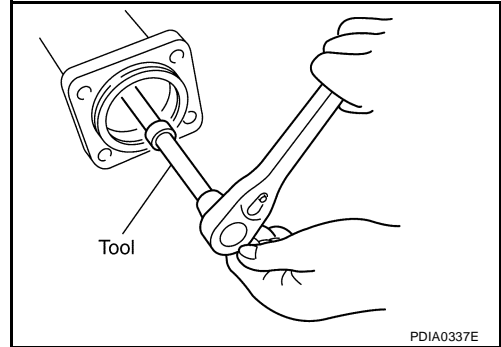
**Do not tighten at this point. This allows further tightening of side bearing adjusters.**



16. Tighten each side bearing adjusters using Tool.

**Tool number : — (C - 4164)**

17. Adjusting backlash of drive gear and drive pinion. Refer to [RFD-17, "Backlash"](#) .
18. Check total preload. Refer to [RFD-16, "Total Preload Torque"](#) .
19. Check tooth contact. Refer to [RFD-16, "Tooth Contact"](#) .



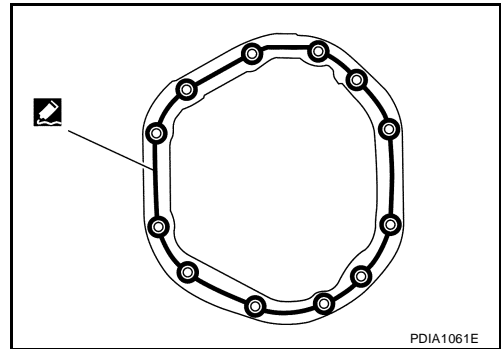
20. Apply a bead of sealant to the mating surface of the carrier cover as shown.

- Use Genuine Silicone RTV or equivalent. Refer to [GI-47, "Recommended Chemical Products and Sealants"](#) .

**CAUTION:**

**Remove any old sealant adhering to the mating surfaces. Also remove any moisture, oil, or foreign material adhering to the application and mating surfaces.**

21. Install the carrier cover to the gear carrier. Tighten the bolts to the specified torque. Refer to [RFD-15, "COMPONENTS"](#) .



A  
B  
C  
RFD  
E  
F  
G  
H  
I  
J  
K  
L  
M

**SERVICE DATA AND SPECIFICATIONS (SDS)**  
**[WITHOUT ELECTRONIC LOCKING DIFFERENTIAL]**

**SERVICE DATA AND SPECIFICATIONS (SDS)**

PF0:00030

**General Specifications**

EDS001P1

Engine	VK56DE	
Vehicle grade	Standard	Tow package or off road package
Transmission	5A/T	
Final drive model	M226	
Gear ratio	2.937	3.357
Number of pinion gears	2	
Number of teeth (Drive gear / drive pinion)	47/16	47/14
Oil capacity (Approx.)	2.01 ℓ (4-1/4 US pt, 3-1/2 Imp pt)	
Drive pinion adjustment spacer type	Collapsible	

**Inspection and Adjustment**  
**DIFFERENTIAL SIDE GEAR CLEARANCE**

EDS001P2

Unit: mm (in)

Item	Standard
Side gear back clearance (Clearance between side gear and differential case for adjusting side gear backlash)	0.305 (0.0120) or less. (Each gear should rotate smoothly without excessive resistance during differential motion.)

**PRELOAD TORQUE**

Unit: N-m (kg-m, in-lb)

Item	Specification	
	Gear ratio 2.937 Type	Gear ratio 3.357 type
Drive pinion bearing preload torque	1.7 - 3.8 (0.18 - 0.38, 15 - 33)	
Total preload (Total preload torque = drive pinion bearing preload torque + Side bearing preload torque)	2.49 - 5.27 (0.26 - 0.53, 22 - 46)	2.38 - 5.16 (0.25 - 0.52, 21 - 45)

**BACKLASH**

Unit: mm (in)

Item	Standard
Drive gear to drive pinion gear	0.08 - 0.13 (0.0031 - 0.0051)

**COMPANION FLANGE RUNOUT**

Unit: mm (in)

Item	Runout limit
Companion flange face	0.10 (0.0039) or less
Companion flange inner side	0.13 (0.0051) or less

**SELECTIVE PARTS**

**Drive Pinion Height Adjusting Washer**

Unit: mm (in)

Thickness	Package part number*
0.076 (0.030) 0.079 (0.031) 0.081 (0.032) 0.084 (0.033) 0.086 (0.034)	38151 8S101
0.089 (0.035) 0.091 (0.036) 0.094 (0.037) 0.097 (0.038) 0.099 (0.039)	38151 8S102



**SERVICE DATA AND SPECIFICATIONS (SDS)  
[WITHOUT ELECTRONIC LOCKING DIFFERENTIAL]**

Thickness	Package part number*	
0.102 (0.040) 0.104 (0.041) 0.107 (0.042) 0.109 (0.043) 0.112 (0.044)	38151 8S103	A B
0.114 (0.045) 0.117 (0.046) 0.119 (0.047) 0.122 (0.048) 0.124 (0.049)	38151 8S104	C
0.127 (0.050) 0.130 (0.051) 0.132 (0.052) 0.135 (0.053) 0.137 (0.054)	38151 8S105	RFD E

\*Always check with the Parts Department for the latest parts information.

**Side Gear Thrust Washer**

Unit: mm (in)

Thickness	Package part number*	
0.76 (0.030) 0.79 (0.031) 0.81 (0.032) 0.84 (0.033) 0.86 (0.034)	38424 8S101	F G H
0.89 (0.035) 0.91 (0.036) 0.94 (0.037) 0.97 (0.038) 0.99 (0.039)	38424 8S102	I

\*Always check with the parts department for the latest parts information.

# PRECAUTIONS

## [WITH ELECTRONIC LOCKING DIFFERENTIAL]

### PRECAUTIONS

PF0:00001

### Precautions for Supplemental Restraint System (SRS) "AIR BAG" and "SEAT BELT PRE-TENSIONER"

EDS001P3

The Supplemental Restraint System such as "AIR BAG" and "SEAT BELT PRE-TENSIONER", used along with a front seat belt, helps to reduce the risk or severity of injury to the driver and front passenger for certain types of collision. This system includes seat belt switch inputs and dual stage front air bag modules. The SRS system uses the seat belt switches to determine the front air bag deployment, and may only deploy one front air bag, depending on the severity of a collision and whether the front occupants are belted or unbelted. Information necessary to service the system safely is included in the SRS and SB section of this Service Manual.

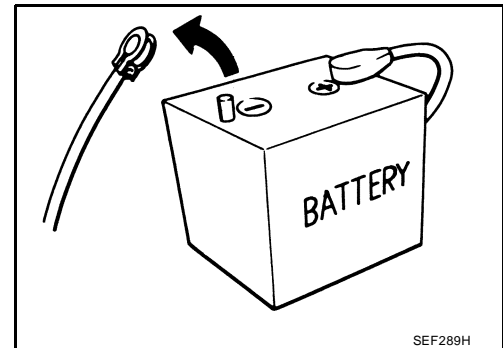
#### WARNING:

- To avoid rendering the SRS inoperative, which could increase the risk of personal injury or death in the event of a collision which would result in air bag inflation, all maintenance must be performed by an authorized NISSAN/INFINITI dealer.
- Improper maintenance, including incorrect removal and installation of the SRS, can lead to personal injury caused by unintentional activation of the system. For removal of Spiral Cable and Air Bag Module, see the SRS section.
- Do not use electrical test equipment on any circuit related to the SRS unless instructed to in this Service Manual. SRS wiring harnesses can be identified by yellow and/or orange harnesses or harness connectors.

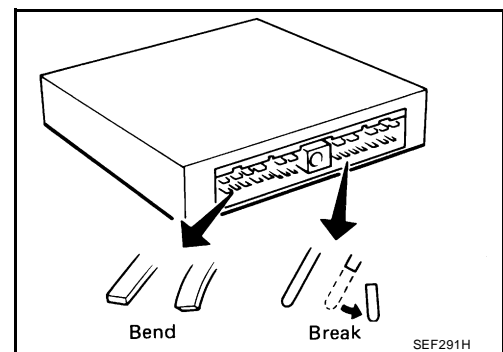
### Precautions

EDS001P4

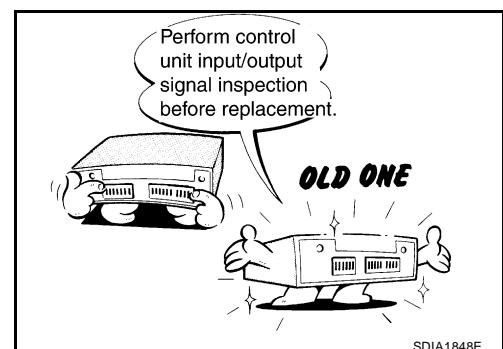
- Before connecting or disconnecting differential lock control unit harness connector, turn ignition switch "OFF" and disconnect the battery cable from the negative terminal. Because battery voltage is applied to differential lock control unit even if ignition switch is turned "OFF".



- When connecting or disconnecting pin connectors into or from differential lock control unit, take care not to damage pin terminals (bend or break). When connecting pin connectors make sure that there are not any bends or breaks on differential lock control unit pin terminal.



- Before replacing differential lock control unit, perform differential lock control unit input/output signal inspection and make sure whether differential lock control unit functions properly or not. Refer to [RFD-49, "Differential Lock Control Unit Input/Output Signal Reference Values"](#).



# PRECAUTIONS

## [WITH ELECTRONIC LOCKING DIFFERENTIAL]

### Precautions for Servicing Rear Final Drive

EDS0045T

- Before starting diagnosis of the vehicle, understand the symptoms well. Perform correct and systematic operations. A
- Check for the correct installation status prior to removal or disassembly. When matching marks are required, be certain they do not interfere with the function of the parts they are applied to. B
- Overhaul should be done in a clean work area, a dust proof area is recommended. C
- Before disassembly, completely remove sand and mud from the exterior of the unit, preventing them from entering into the unit during disassembly or assembly.
- Always use shop paper for cleaning the inside of components.
- Avoid using cotton gloves or a shop cloth to prevent the entering of lint. RFD
- Check appearance of the disassembled parts for damage, deformation, and abnormal wear. Replace them with new ones if necessary.
- Gaskets, seals and O-rings should be replaced any time the unit is disassembled. E
- Clean and flush the parts sufficiently and blow them dry.
- Be careful not to damage sliding surfaces and mating surfaces.
- When applying sealant, remove the old sealant from the mating surface; then remove any moisture, oil, and foreign materials from the application and mating surfaces. F
- In principle, tighten nuts or bolts gradually in several steps working diagonally from inside to outside. If a tightening sequence is specified, observe it. G
- During assembly, observe the specified tightening torque.
- Add new differential gear oil, petroleum jelly, or multi-purpose grease, as specified. H

A

B

C

RFD

E

F

G

H

I

J

K

L

M

# PREPARATION [WITH ELECTRONIC LOCKING DIFFERENTIAL]

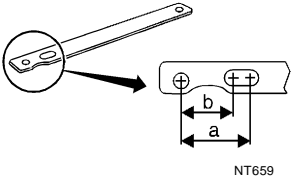
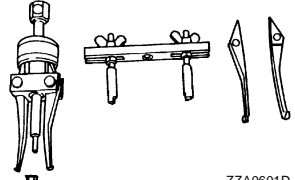
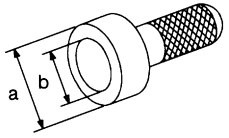
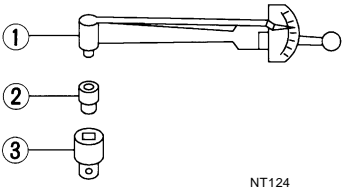
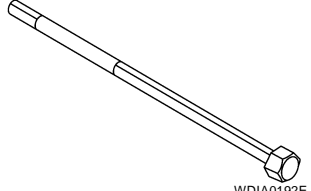
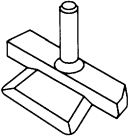
PFP:00002

## PREPARATION

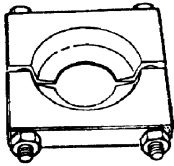
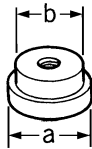
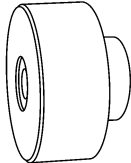
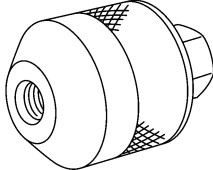

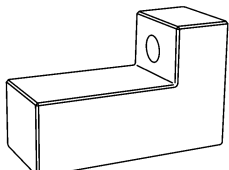
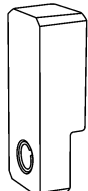
### Special Service Tools

EDS003DM

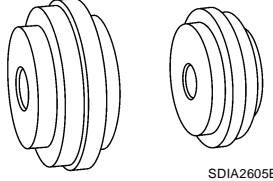
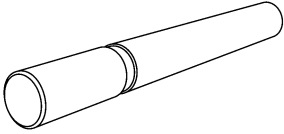
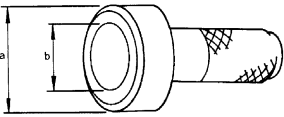
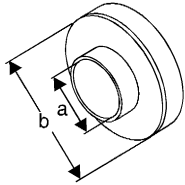
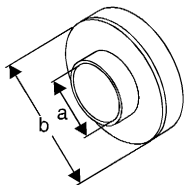
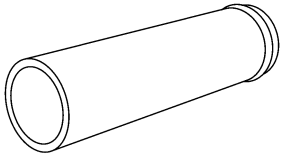
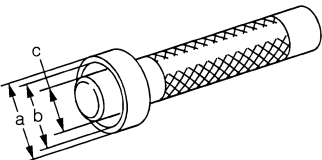
The actual shapes of Kent-Moore tools may differ from those of special service tools illustrated here.

Tool number (Kent-Moore No.) Tool name	Description
KV40104000 ( — ) Flange wrench <div style="text-align: center;">  <p>NT659</p> </div>	Removing and installing drive pinion lock nut <b>a: 85 mm (3.35 in) dia.</b> <b>b: 65 mm (2.56 in) dia.</b>
ST33290001 (J-34286) Puller <div style="text-align: center;">  <p>ZZA0601D</p> </div>	Removing front oil seal
ST15310000 ( — ) Drift <div style="text-align: center;">  <p>NT115</p> </div>	Installing front oil seal <b>a: 96mm (3.77 in) dia.</b> <b>b: 84 mm (3.30 in) dia.</b>
ST3127S000 (J-25765-A) Preload gauge set <ol style="list-style-type: none"> <li>1. GG91030000 (J-25765) Torque wrench</li> <li>2. HT62940000 (1/2") ( — ) Socket adapter</li> <li>3. HT62900000 (3/8") ( — ) Socket adapter</li> </ol> <div style="text-align: center;">  <p>NT124</p> </div>	Inspecting drive pinion bearing preload torque and total preload torque
— (C-4164) Adjuster tool <div style="text-align: center;">  <p>WDIA0192E</p> </div>	Removing and installing side bearing adjuster
KV10111100 (J-37228) Seal cutter <div style="text-align: center;">  <p>S-NT046</p> </div>	Removing carrier cover

# PREPARATION [WITH ELECTRONIC LOCKING DIFFERENTIAL]

Tool number (Kent-Moore No.) Tool name	Description	A
ST30021000 (J-22912-01) Puller <div style="text-align: center;">  <p style="text-align: center; font-size: small;">ZZA0700D</p> </div>	Removing drive pinion rear bearing inner race	B
ST33081000 ( — ) Adapter <div style="text-align: center;">  <p style="text-align: center; font-size: small;">ZZA1000D</p> </div>	Removing and installing side bearing inner race <b>a: 43 mm (1.69 in) dia.</b> <b>b: 33.5 mm (1.32 in) dia.</b>	C
— (8144) Drive pinion block <div style="text-align: center;">  <p style="text-align: center; font-size: small;">SDIA2599E</p> </div>	Adjusting drive pinion height	RFD
— (6740) Cone <div style="text-align: center;">  <p style="text-align: center; font-size: small;">SDIA2601E</p> </div>	Adjusting drive pinion height	E
— (6741) Screw <div style="text-align: center;">  <p style="text-align: center; font-size: small;">SDIA2602E</p> </div>	Adjusting drive pinion height	F
— (6739) Drive pinion height lock <div style="text-align: center;">  <p style="text-align: center; font-size: small;">SDIA2603E</p> </div>	Adjusting drive pinion height	G
— (D-115-2) Scooter block <div style="text-align: center;">  <p style="text-align: center; font-size: small;">SDIA2604E</p> </div>	Adjusting drive pinion height	H

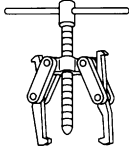
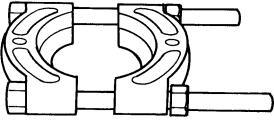
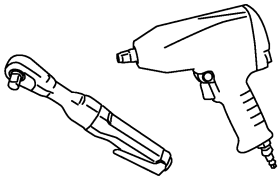
# PREPARATION [WITH ELECTRONIC LOCKING DIFFERENTIAL]

Tool number (Kent-Moore No.) Tool name	Description
<p>— (8541A-1) Arbor disc</p>  <p style="text-align: right; margin-right: 50px;">SDIA2605E</p>	Adjusting drive pinion height
<p>— (D-115-3) Arbor</p>  <p style="text-align: right; margin-right: 50px;">SDIA2606E</p>	Adjusting drive pinion height
<p>ST01500001 ( — ) Drift</p>  <p style="text-align: right; margin-right: 50px;">ZZA0811D</p>	Installing drive pinion rear bearing outer race <b>a: 89mm (3.50 in) dia.</b> <b>b: 79 mm (3.11 in) dia.</b>
<p>ST30022000 ( — ) Drift</p>  <p style="text-align: right; margin-right: 50px;">NT660</p>	Installing drive pinion rear bearing outer race <b>a: 46 mm (1.81 in) dia.</b> <b>b: 110 mm (4.33 in) dia.</b>
<p>ST33022000 ( — ) Drift</p>  <p style="text-align: right; margin-right: 50px;">NT660</p>	Installing drive pinion front bearing outer race <b>a: 49 mm (1.92 in) dia.</b> <b>b: 67 mm (2.63 in) dia.</b>
<p>— (C-4040) Installer</p>  <p style="text-align: right; margin-right: 50px;">SDIA2607E</p>	Installing drive pinion rear bearing inner race
<p>KV38100300 (J-25523) Drift</p>  <p style="text-align: right; margin-right: 50px;">ZZA1046D</p>	Installing side bearing inner race <b>a: 54 mm (2.13 in) dia.</b> <b>b: 46 mm (1.81 in) dia.</b> <b>c: 32mm (1.26 in) dia.</b>

# PREPARATION [WITH ELECTRONIC LOCKING DIFFERENTIAL]

## Commercial Service Tools

EDS001P8

Tool name	Description
Puller   NT077	Removing companion flange and side bearing inner race
Puller   ZZB0823D	Removing side bearing inner race
Power tool   PBIC0190E	Loosening bolts and nuts

A  
B  
C  
**RFD**  
E  
F  
G  
H  
I  
J  
K  
L  
M

# NOISE, VIBRATION AND HARSHNESS (NVH) TROUBLESHOOTING [WITH ELECTRONIC LOCKING DIFFERENTIAL]

## NOISE, VIBRATION AND HARSHNESS (NVH) TROUBLESHOOTING

PF0:00003

### NVH Troubleshooting Chart

EDS001P9

Use the chart below to help you find the cause of the symptom. If necessary, repair or replace these parts.

Symptom		Possible cause and SUSPECTED PARTS													Reference page		
	Noise	x	x	x	x	x	x	x	x	x	x	x	x	x	x	x	<a href="#">RFD-93</a> <a href="#">RFD-86</a> <a href="#">RFD-93</a> <a href="#">RFD-87</a> <a href="#">RFD-88</a> <a href="#">RFD-10</a> <a href="#">PR-3, "NVH Troubleshooting Chart"</a> <a href="#">RAX-4, "NVH Troubleshooting Chart"</a> <a href="#">RSU-4, "NVH Troubleshooting Chart"</a> <a href="#">WT-4, "NVH Troubleshooting Chart"</a> <a href="#">WT-4, "NVH Troubleshooting Chart"</a> <a href="#">RAX-4, "NVH Troubleshooting Chart"</a> <a href="#">BR-5, "NVH Troubleshooting Chart"</a> <a href="#">PS-5, "NVH Troubleshooting Chart"</a>
			Gear tooth rough	Gear contact improper	Tooth surfaces worn	Backlash incorrect	Companion flange excessive runout	Gear oil improper	PROPELLER SHAFT	REAR AXLE	REAR SUSPENSION	TIRES	ROAD WHEEL	AXLE SHAFT	BRAKES	STEERING	

x: Applicable



# DIFFERENTIAL GEAR OIL

## [WITH ELECTRONIC LOCKING DIFFERENTIAL]

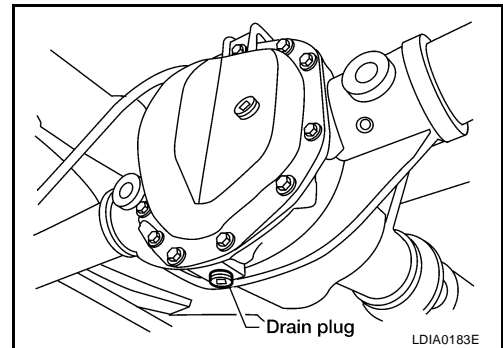
### DIFFERENTIAL GEAR OIL

PPF:KLD30

### Changing Differential Gear Oil DRAINING

EDS0045U

1. Stop engine.
2. Remove the drain plug from the rear final drive assembly to drain the differential gear oil.
3. Install the drain plug with sealant applied on the threads to the rear final drive assembly. Tighten to the specified torque. Refer to [RFD-85, "COMPONENTS"](#).
  - Use High Performance Thread Sealant or equivalent. Refer to [GI-47, "Recommended Chemical Products and Sealants"](#).

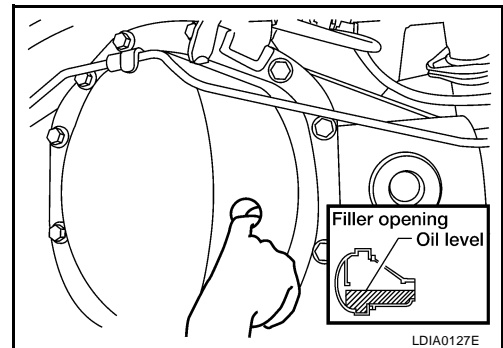


### FILLING

1. Remove the filler plug from the rear final drive assembly.
2. Fill the rear final drive assembly with new differential gear oil until the level reaches the specified level near the filler plug hole.

**Differential gear oil grade and capacity** : Refer to [MA-11, "Fluids and Lubricants"](#).

3. Install the filler plug with sealant applied on the threads to the rear final drive assembly. Tighten to the specified torque. Refer to [RFD-85, "COMPONENTS"](#).
  - Use High Performance Thread Sealant or equivalent. Refer to [GI-47, "Recommended Chemical Products and Sealants"](#).



### Checking Differential Gear Oil DIFFERENTIAL GEAR OIL LEAKAGE AND LEVEL

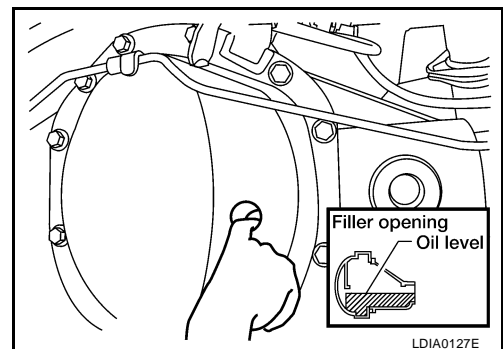
EDS0045V

1. Make sure that differential gear oil is not leaking from the rear final drive assembly or around it.
2. Check the differential gear oil level from the filler plug hole as shown.

#### **CAUTION:**

**Do not start engine while checking differential gear oil level.**

3. Install the filler plug with sealant applied on the threads to the rear final drive assembly. Tighten to the specified torque. Refer to [RFD-85, "COMPONENTS"](#).
  - Use High Performance Thread Sealant or equivalent. Refer to [GI-47, "Recommended Chemical Products and Sealants"](#).



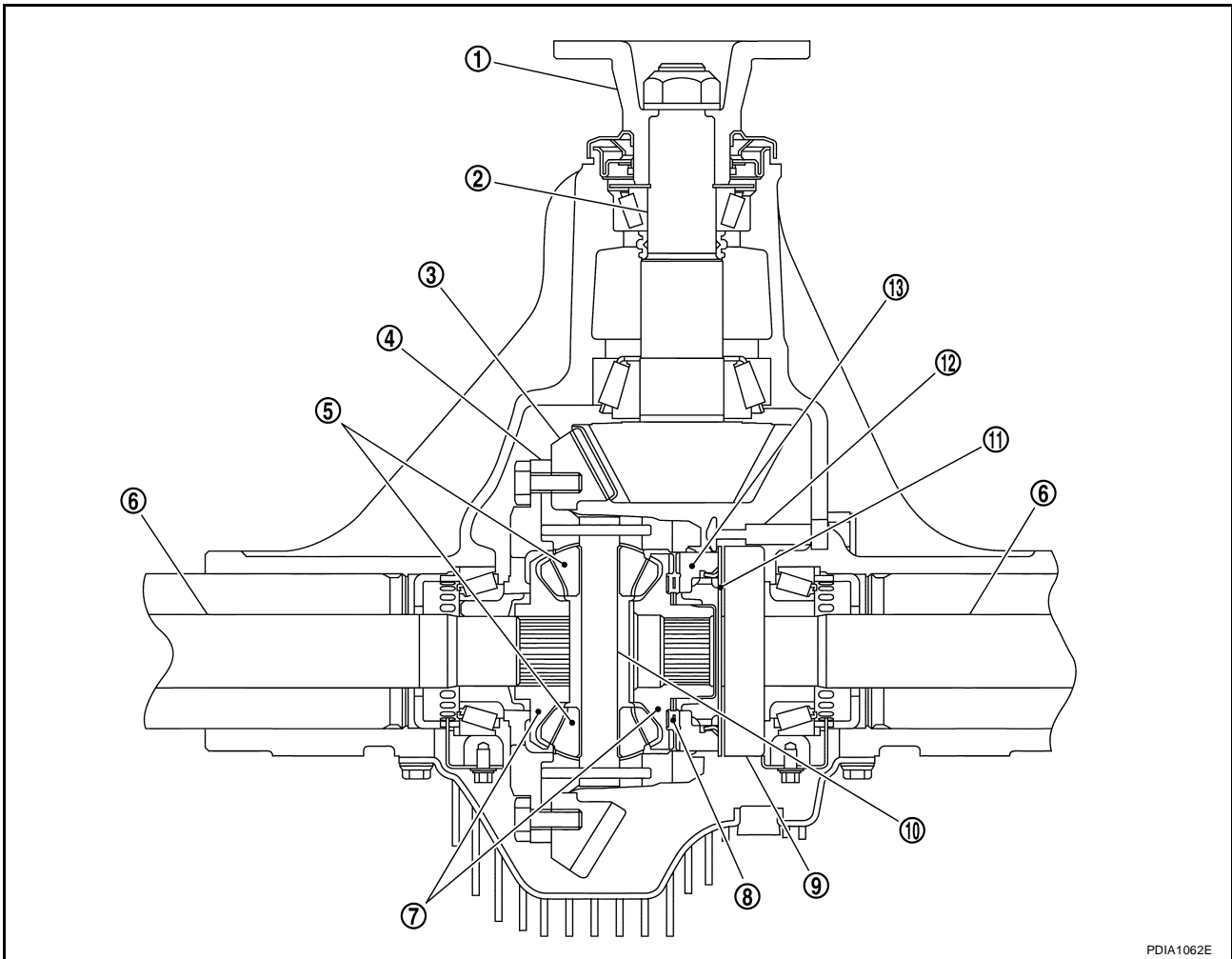
# DIFFERENTIAL LOCK SYSTEM [WITH ELECTRONIC LOCKING DIFFERENTIAL]

PF2:28496

## DIFFERENTIAL LOCK SYSTEM

### Cross-sectional View

EDS001PC



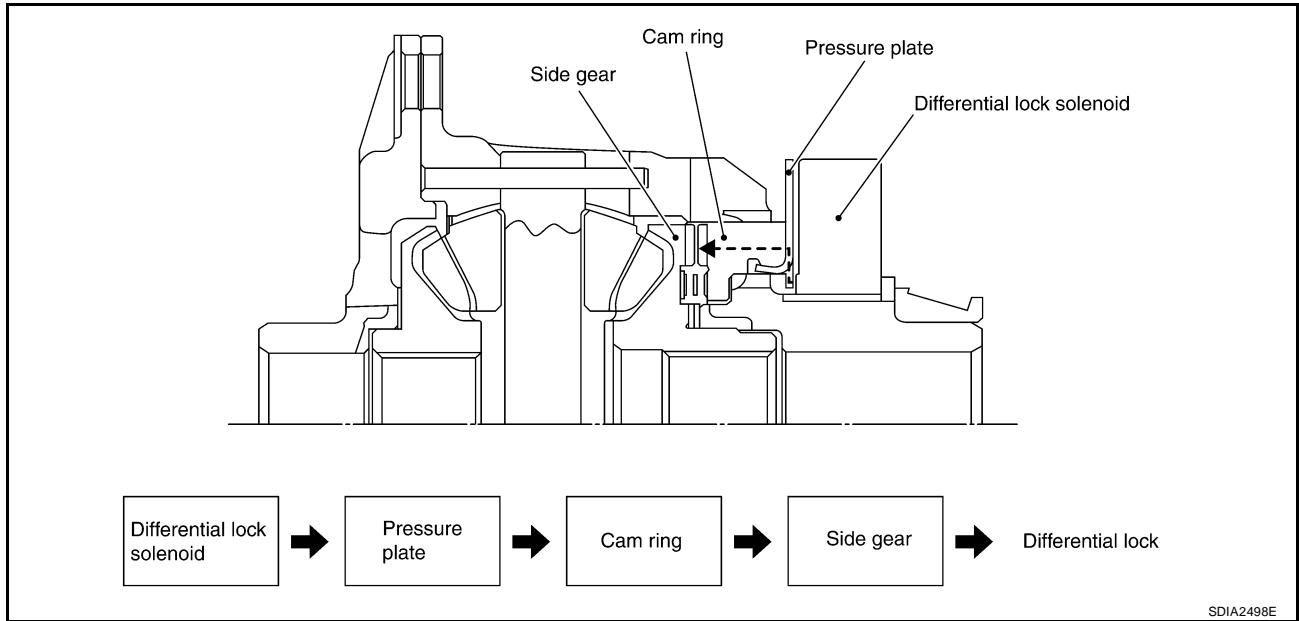
PDIA1062E

- |                       |                     |                                       |
|-----------------------|---------------------|---------------------------------------|
| 1. Companion flange   | 2. Drive pinion     | 3. Drive gear                         |
| 4. Differential case  | 5. Pinion mate gear | 6. Axle shaft                         |
| 7. Side gear          | 8. Spring           | 9. Differential lock solenoid         |
| 10. Pinion mate shaft | 11. Pressure plate  | 12. Differential lock position switch |
| 13. Cam ring          |                     |                                       |

# DIFFERENTIAL LOCK SYSTEM [WITH ELECTRONIC LOCKING DIFFERENTIAL]

## Differential Lock Operation

EDS001PD



SDIA2498E

1. Differential lock solenoid operates pressure plate.
2. Pressure plate presses cam ring.
3. Engage cam ring and side gear, and then differential is locked.

## System Description

EDS001PE

### DIFFERENTIAL LOCK SOLENOID

It is operated by signal from differential lock control unit, and it operates pressure plate so as to switch lock/unlock.

### DIFFERENTIAL LOCK POSITION SWITCH

It detects that differential is in lock or unlock by pressure plate position, and sends it to differential lock control unit.

### DIFFERENTIAL LOCK CONTROL UNIT

- Differential lock control unit controls differential lock solenoid by input signals of each sensor and each switch.
- As a fail-safe function, differential lock disengages, if malfunction is detected in differential lock system.
- Self-diagnosis can be done with CONSULT-II.

### DIFFERENTIAL LOCK MODE SWITCH

Able to select differential lock and unlock.

### DIFF LOCK INDICATOR LAMP

The following is the indications of indicator lamp.

Condition	DIFF LOCK indicator lamp
Differential lock/unlock	ON/OFF
Differential lock standby condition	Flashing: 1 time/2 seconds
Differential lock system malfunction	OFF (Even if differential lock mode switch is turned ON)
Lamp check	Turns ON when ignition switch is turned ON. Turns OFF after engine start.

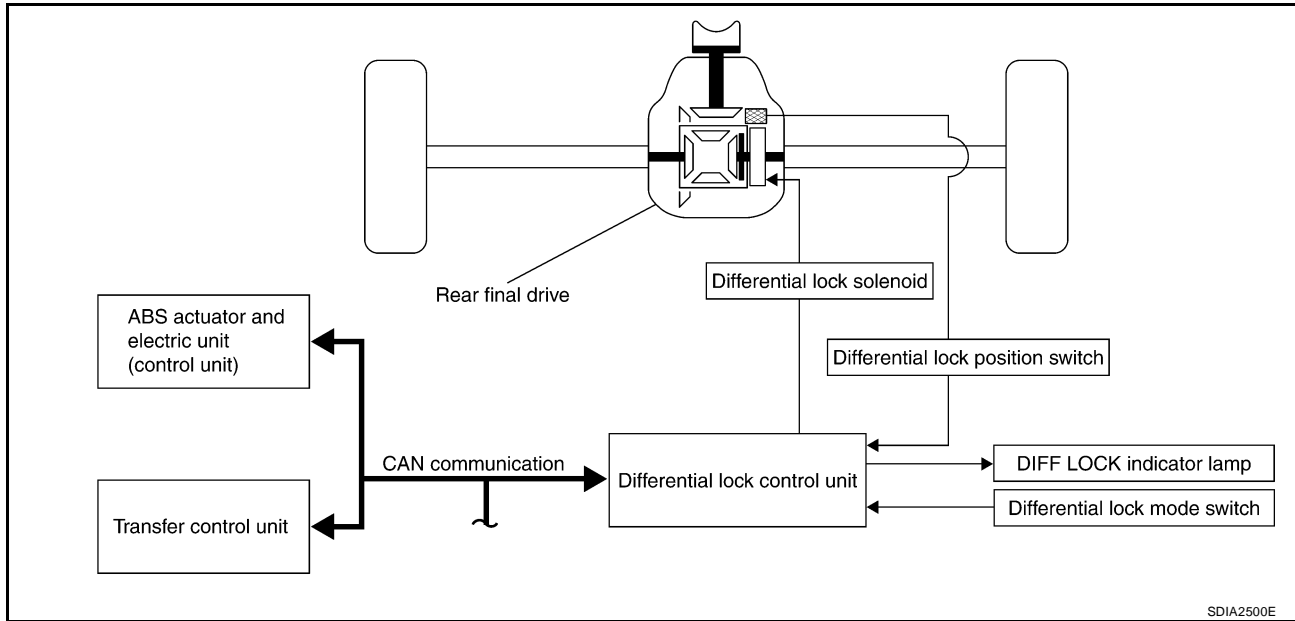
#### NOTE:

Differential lock standby condition is the condition that differential lock mode switch is ON and differential is unlocked.

# DIFFERENTIAL LOCK SYSTEM [WITH ELECTRONIC LOCKING DIFFERENTIAL]

## System Diagram

EDS001PF



## COMPONENTS FUNCTION DESCRIPTION

Component parts	Function
Differential lock control unit	<ul style="list-style-type: none"> <li>● Controls differential lock solenoid and switches differential lock/unlock.</li> <li>● As a fail-safe function, differential lock disengages, if malfunction is detected in differential lock system.</li> </ul>
Differential lock solenoid	Controls pressure plate by current from differential lock control unit.
Differential lock position switch	Detects that differential is lock or unlock condition.
Differential lock mode switch	Able to select differential lock or unlock.
DIFF LOCK indicator lamp	Illuminates that differential is in lock or lock standby condition.
ABS actuator and electric unit (control unit)	Transmits the following signals via CAN communication to differential lock control unit. <ul style="list-style-type: none"> <li>● Vehicle speed signal</li> <li>● VDC operation signal</li> </ul>
Transfer control unit	Transmits the following signal via CAN communication to differential lock control unit. <ul style="list-style-type: none"> <li>● 4WD shift switch signal</li> </ul>

## CAN COMMUNICATION SYSTEM DESCRIPTION

EDS001PG

Refer to [LAN-2, "CAN Communication System"](#) .

# TROUBLE DIAGNOSIS [WITH ELECTRONIC LOCKING DIFFERENTIAL]

## TROUBLE DIAGNOSIS

PFP:00004

### Fail-safe Function

EDS001PH

If any malfunction occurs in differential lock system, and control unit detects the malfunction, DIFF LOCK indicator lamp on combination meter does not turn ON to indicate system malfunction. Differential lock control unit turns differential lock solenoid OFF.

### How to Perform Trouble Diagnosis

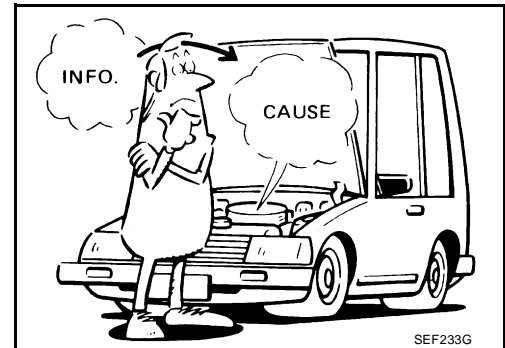
EDS001PI

#### BASIC CONCEPT

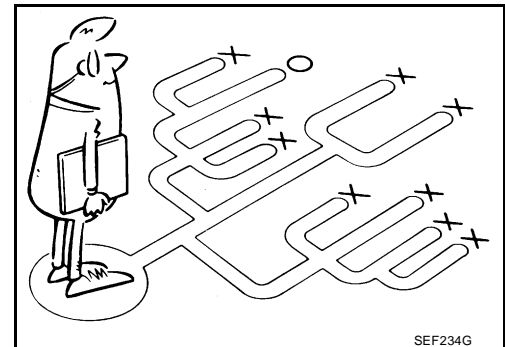
- To perform trouble diagnosis, it is the most important to have understanding about vehicle systems (control and mechanism) thoroughly.
- It is also important to clarify customer complaints before inspection.  
First of all, reproduce symptoms, and understand them fully. Ask customer about his/her complaints carefully. In some cases, it will be necessary to check symptoms by driving vehicle with customer.

#### CAUTION:

**Customers are not professional. It is dangerous to make an easy guess like "maybe the customer means that...," or "maybe the customer mentions this symptom".**



- It is essential to check symptoms right from the beginning in order to repair malfunctions completely. For intermittent malfunctions, reproduce symptoms based on interview with customer and past examples. Do not perform inspection on ad hoc basis. Most intermittent malfunctions are caused by poor contacts. In this case, it will be effective to shake suspected harness or connector by hand. When repairing without any symptom diagnosis, you cannot judge if malfunctions have actually been eliminated.
- After completing diagnosis, always erase diagnostic memory.
- For intermittent malfunctions, move harness or harness connector by hand. Then check for poor contact or reproduced open circuit.



A

B

C

RFD

E

F

G

H

I

J

K

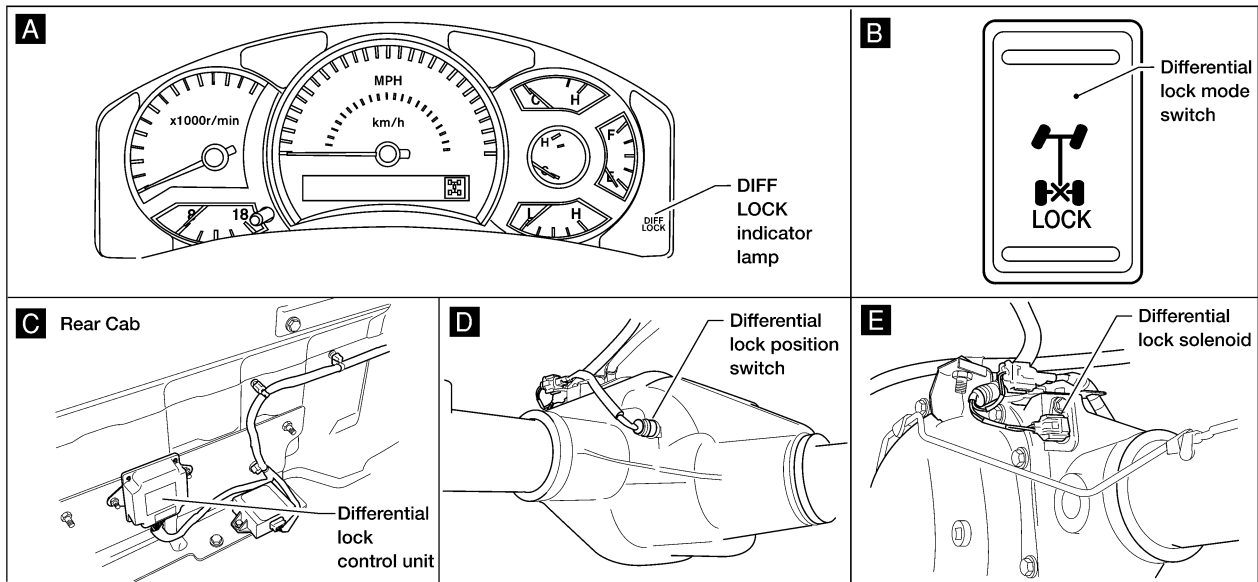
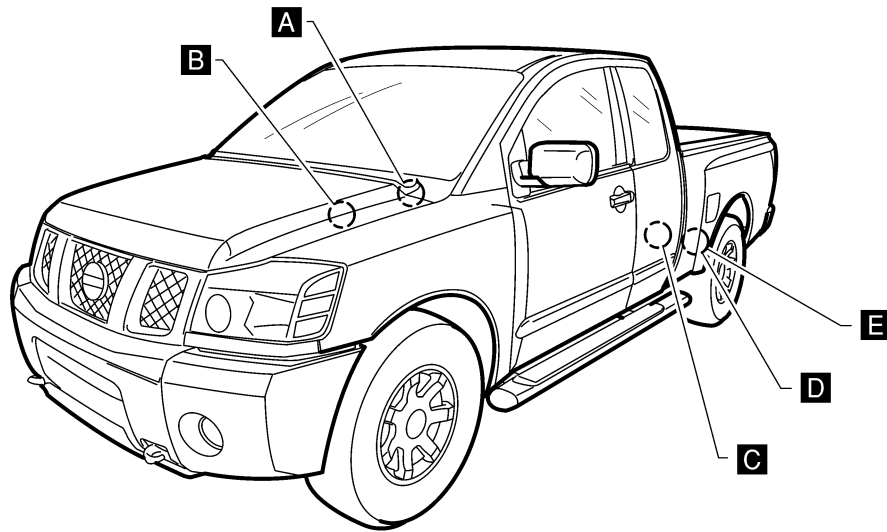
L

M

# TROUBLE DIAGNOSIS [WITH ELECTRONIC LOCKING DIFFERENTIAL]

## Location of Electrical Parts

EDS001PJ



BDIA0015E

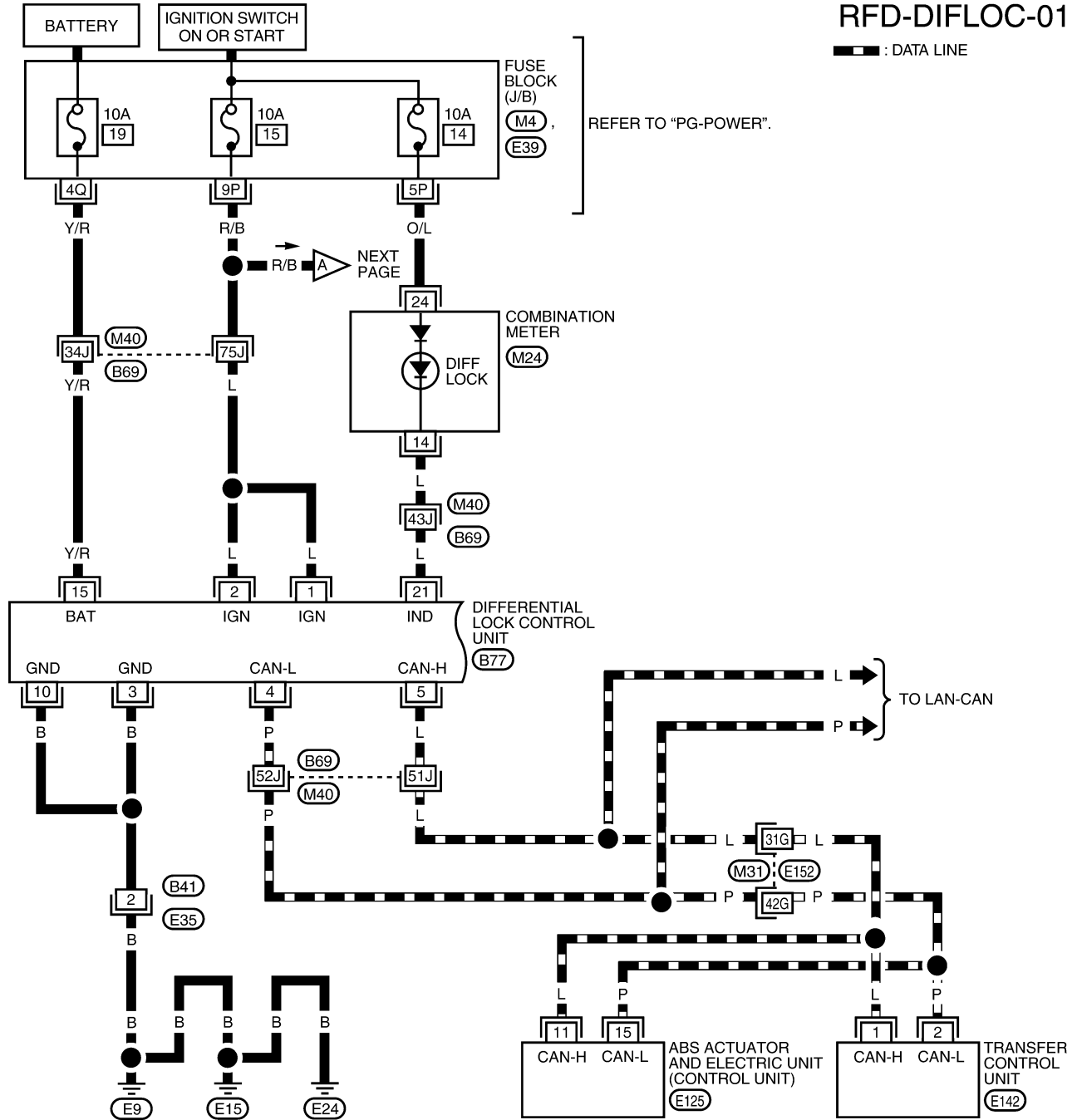
# TROUBLE DIAGNOSIS [WITH ELECTRONIC LOCKING DIFFERENTIAL]

## Wiring Diagram — DIFLOC —

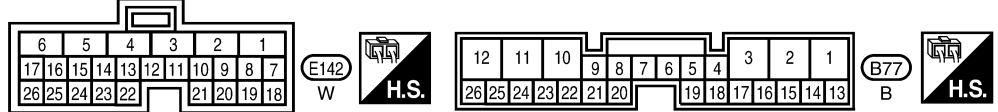
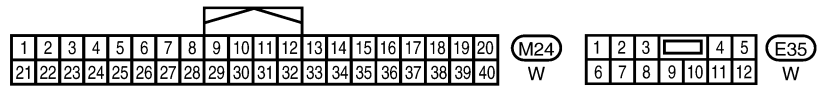
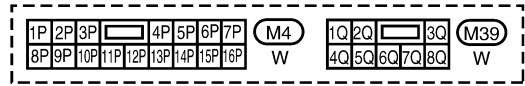
EDS001PK

RFD-DIFLOC-01

▬ : DATA LINE



A  
B  
C  
RFD  
E  
F  
G  
H  
I  
J  
K  
L  
M



REFER TO THE FOLLOWING.  
 (M31), (M40) - SUPER MULTIPLE JUNCTION (SMJ)  
 (E125) - ELECTRICAL UNITS





# TROUBLE DIAGNOSIS

## [WITH ELECTRONIC LOCKING DIFFERENTIAL]

### Trouble Diagnosis Chart for Symptoms

EDS001PL

If DIFF LOCK indicator lamp does not turn ON after engine start, perform self-diagnosis. Refer to [RFD-51, "SELF-DIAG RESULTS MODE"](#).

Symptom	Condition	Check item	Reference page
DIFF LOCK indicator lamp does not turn ON. (DIFF LOCK indicator lamp check)	Ignition switch: ON	CAN communication line	<a href="#">RFD-70</a>
		Power supply and ground for differential lock control unit	
		Combination meter	
DIFF LOCK indicator lamp does not change.	<ul style="list-style-type: none"> <li>● Engine running</li> <li>● Differential lock mode switch: ON</li> </ul>	Combination meter	<a href="#">RFD-73</a>
		Differential lock mode switch	
		CAN communication line	
DIFF LOCK indicator lamp sometimes flashes.	<ul style="list-style-type: none"> <li>● Engine running</li> <li>● Differential lock mode switch: ON</li> </ul>	Combination meter	<a href="#">RFD-74</a>
		Differential lock mode switch	
		Differential lock position switch	
		Differential inner parts	

### Differential Lock Control Unit Input/Output Signal Reference Values

EDS001PM

#### DIFFERENTIAL LOCK CONTROL UNIT INSPECTION TABLE

#### Specifications with CONSULT-II

Monitor item [Unit]	Content	Condition	Display value
BATTERY VOLT [V]	Power supply voltage for differential lock control unit	Ignition switch: ON	Battery voltage
4WD MODE [2H/4H/4Lo]	Condition of 4WD shift switch	4WD shift switch (Engine running)	2WD
			4H
			4Lo
VHCL S/SEN-R [km/h] or [mph]	Wheel speed (Rear wheel right)	Vehicle stopped	0 km/h (0 mph)
		Vehicle running <b>CAUTION:</b> <b>Check air pressure of tire under standard condition.</b>	Approximately equal to the indication on speedometer (Inside of ±10%)
VHCL S/SEN-L [km/h] or [mph]	Wheel speed (Rear wheel left)	Vehicle stopped	0 km/h (0 mph)
		Vehicle running <b>CAUTION:</b> <b>Check air pressure of tire under standard condition.</b>	Approximately equal to the indication on speedometer (Inside of ±10%)
VHCL S/SEN-RL [km/h] or [mph]	Wheel speed (Average value of rear wheel right and left)	Vehicle stopped	0 km/h (0 mph)
		Vehicle running <b>CAUTION:</b> <b>Check air pressure of tire under standard condition.</b>	Approximately equal to the indication on speedometer (Inside of ±10%)
D-LOCK SW SIG [ON/OFF]	Condition of differential lock mode switch	Differential lock mode switch: ON	ON
		Differential lock mode switch: OFF	OFF
D-LOCK SIG [ON/OFF]	Control status of differential lock	<ul style="list-style-type: none"> <li>● Vehicle stopped</li> <li>● Engine running</li> <li>● VDC OFF switch: ON</li> <li>● 4WD shift switch: 4Lo</li> </ul>	Differential lock mode switch: ON
		Differential lock mode switch: OFF	OFF

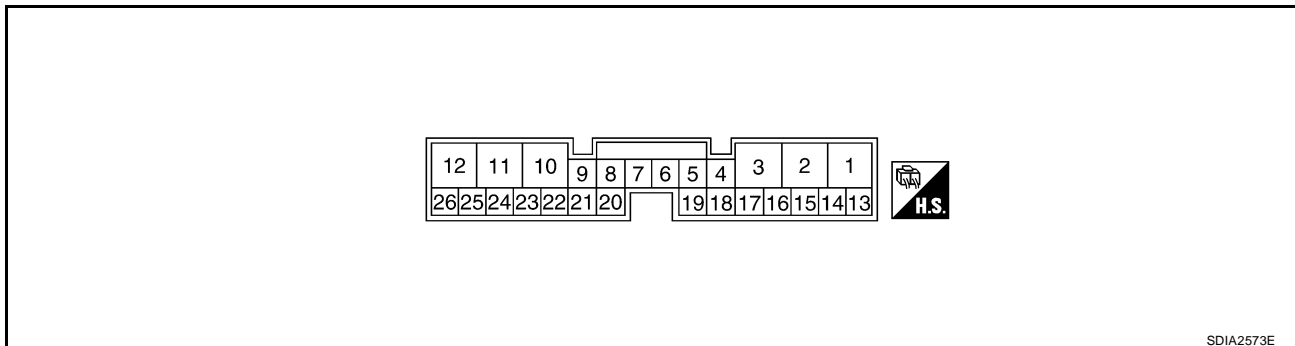
# TROUBLE DIAGNOSIS

## [WITH ELECTRONIC LOCKING DIFFERENTIAL]

Monitor item [Unit]	Content	Condition		Display value
RELAY ON [ON/OFF]	Operating condition of differential lock solenoid relay (integrated in differential lock control unit)	<ul style="list-style-type: none"> <li>● Vehicle stopped</li> <li>● Engine running</li> <li>● VDC OFF switch: ON</li> <li>● 4WD shift switch: 4LO</li> </ul>	Differential lock mode switch: ON	ON
			Differential lock mode switch: OFF	OFF
RELAY MTR [ON/OFF]	Control status of differential lock solenoid relay (integrated in differential lock control unit)	<ul style="list-style-type: none"> <li>● Vehicle stopped</li> <li>● Engine running</li> <li>● VDC OFF switch: ON</li> <li>● 4WD shift switch: 4LO</li> </ul>	Differential lock mode switch: ON	ON
			Differential lock mode switch: OFF	OFF
SOL MTR [ON/OFF]	Control status of differential lock solenoid	<ul style="list-style-type: none"> <li>● Vehicle stopped</li> <li>● Engine running</li> <li>● VDC OFF switch: ON</li> <li>● 4WD shift switch: 4LO</li> </ul>	Differential lock mode switch: ON	ON
			Differential lock mode switch: OFF	OFF
IND MTR [ON/OFF]	Control status of DIFF LOCK indicator lamp	DIFF LOCK indicator lamp: ON		ON
		DIFF LOCK indicator lamp: OFF		OFF
D-LOCK POS SW [ON/OFF]	Condition of differential lock position switch	<ul style="list-style-type: none"> <li>● Vehicle stopped</li> <li>● Engine running</li> <li>● VDC OFF switch: ON</li> <li>● 4WD shift switch: 4LO</li> </ul>	Differential lock mode switch: ON (DIFF LOCK indicator lamp: ON)	ON
			Differential lock mode switch: OFF (DIFF LOCK indicator lamp: OFF)	OFF

### Specifications Between Differential Lock Control Unit Terminals

#### DIFFERENTIAL LOCK CONTROL UNIT TERMINAL CONNECTOR LAYOUT



Data are reference value and are measured between each terminal and ground.

Terminal	Wire color	Item	Condition	Data (Approx.)	
1	L	Power supply	Ignition switch: ON	Battery voltage	
			Ignition switch: OFF	0V	
2	L	Power supply	Ignition switch: ON	Battery voltage	
			Ignition switch: OFF	0V	
3	B	Ground	Always	0V	
4	P	CAN-L	-	-	
5	L	CAN-H	-	-	
9	G	Differential lock mode switch (ON)	Ignition switch: ON	Differential lock mode switch: ON	Battery voltage
				Differential lock mode switch: OFF	0V
10	B	Ground	Always	0V	

# TROUBLE DIAGNOSIS

## [WITH ELECTRONIC LOCKING DIFFERENTIAL]

Terminal	Wire color	Item	Condition		Data (Approx.)
11	V	Differential lock solenoid (-)	<ul style="list-style-type: none"> <li>Vehicle stopped</li> <li>Engine running</li> <li>VDC OFF switch: ON</li> <li>4WD shift switch: 4LO</li> </ul>	Differential lock mode switch: ON	0V
				Differential lock mode switch: OFF	Battery voltage
12	Y	Differential lock solenoid (+)	<ul style="list-style-type: none"> <li>Vehicle stopped</li> <li>Engine running</li> <li>VDC OFF switch: ON</li> <li>4WD shift switch: 4LO</li> </ul>	Differential lock mode switch: ON	0V
				Differential lock mode switch: OFF	Battery voltage
13	G/W	K-LINE (CONSULT-II signal)	-		-
15	Y/R	Power supply (Memory back-up)	Ignition switch: ON		Battery voltage
			Ignition switch: OFF		Battery voltage
20	W/R	Differential lock position switch	<ul style="list-style-type: none"> <li>Vehicle stopped</li> <li>Engine running</li> <li>VDC OFF switch: ON</li> <li>4WD shift switch: 4LO</li> </ul>	Differential lock mode switch: ON (DIFF LOCK indicator lamp: ON)	0V
				Differential lock mode switch: OFF (DIFF LOCK indicator lamp: OFF)	Battery voltage
21	L	DIFF LOCK indicator lamp	Ignition switch: ON	DIFF LOCK indicator lamp: ON	0V
				DIFF LOCK indicator lamp: OFF	Battery voltage
22	O	Differential lock mode switch (OFF)	Ignition switch: ON	Differential lock mode switch: ON	0V
				Differential lock mode switch: OFF	Battery voltage

**CAUTION:**

When using a circuit tester to measure voltage for inspection, be sure not to extend forcibly any connector terminals.

### CONSULT-II Function (DIFF LOCK)

EDS001PN

CONSULT-II can display each diagnostic item using the diagnostic test modes shown following.

DIFF LOCK Diagnostic test mode	Function	Reference page
SELF-DIAGNOSTIC RESULTS	<ul style="list-style-type: none"> <li>Displays diff lock self-diagnostic results.</li> </ul>	<a href="#">RFD-51</a>
DATA MONITOR	<ul style="list-style-type: none"> <li>Displays diff lock input/output data in the time.</li> </ul>	<a href="#">RFD-53</a>
CAN DIAG SUPPORT MNTR	<ul style="list-style-type: none"> <li>The results of transmit/receive diagnosis of CAN communication can be read.</li> </ul>	—

### CONSULT-II START PROCEDURE

Refer to [GI-38, "CONSULT-II Start Procedure"](#).

### SELF-DIAG RESULTS MODE

#### Display Item List

Items (CONSULT-II screen terms)	Diagnostic item is detected when...	Check item
*INITIAL START* [P1833]	<ul style="list-style-type: none"> <li>Due to removal of battery which cuts off power supply to differential control unit, self-diagnosis memory function is suspended.</li> </ul>	<a href="#">RFD-54, "Power Supply Circuit For Differential Lock Control Unit"</a>
CONTROL UNIT 1 [P1834]	<ul style="list-style-type: none"> <li>Malfunction is detected in the memory (RAM) system of differential lock control unit.</li> </ul>	<a href="#">RFD-56, "Differential Lock Control Unit"</a>
CONTROL UNIT 2 [P1835]	<ul style="list-style-type: none"> <li>Malfunction is detected in the memory (ROM) system of differential lock control unit.</li> </ul>	<a href="#">RFD-56, "Differential Lock Control Unit"</a>
CONTROL UNIT 3 [P1836]	<ul style="list-style-type: none"> <li>Malfunction is detected in the memory (EEPROM) system of differential lock control unit.</li> </ul>	<a href="#">RFD-56, "Differential Lock Control Unit"</a>
CONTROL UNIT 4 [P1837]	<ul style="list-style-type: none"> <li>AD converter system of differential lock control unit is malfunctioning.</li> </ul>	<a href="#">RFD-56, "Differential Lock Control Unit"</a>
ON SW [P1838]	<ul style="list-style-type: none"> <li>More than two switch inputs are simultaneously detected due to short circuit of differential lock mode switch.</li> </ul>	<a href="#">RFD-56, "Differential Lock Mode Switch"</a>

## TROUBLE DIAGNOSIS [WITH ELECTRONIC LOCKING DIFFERENTIAL]

Items (CONSULT-II screen terms)	Diagnostic item is detected when...	Check item
POSI SW ON [P1839]	<ul style="list-style-type: none"> <li>When differential lock position switch is ON, rotation difference occurs in wheel speed (rear wheel right and left).</li> </ul>	<a href="#">RFD-60, "Differential Lock Position Switch"</a>
RELAY [P1844]	<ul style="list-style-type: none"> <li>Differential lock control unit detects as irregular by comparing target value with monitor value.</li> </ul>	<a href="#">RFD-63, "Differential Lock Solenoid Relay"</a> , <a href="#">RFD-64, "Differential Lock Solenoid"</a>
SOL CIRCUIT [P1847]	<ul style="list-style-type: none"> <li>Malfunction is detected in differential lock control unit internal circuit.</li> </ul>	<a href="#">RFD-64, "Differential Lock Solenoid"</a>
SOL DISCONNECT [P1848]	<ul style="list-style-type: none"> <li>Differential lock solenoid internal circuit or harness is open.</li> <li>Differential lock solenoid relay does not switch to ON position.</li> </ul>	<a href="#">RFD-64, "Differential Lock Solenoid"</a>
SOL SHORT [P1849]	<ul style="list-style-type: none"> <li>Differential lock solenoid internal circuit or harness is shorted.</li> </ul>	<a href="#">RFD-64, "Differential Lock Solenoid"</a>
SOL CURRENT [P1850]	<ul style="list-style-type: none"> <li>Differential lock solenoid relay does not switch to OFF position.</li> </ul>	<a href="#">RFD-64, "Differential Lock Solenoid"</a>
ABS SYSTEM [C1203]	<ul style="list-style-type: none"> <li>Malfunction related to wheel sensor has been detected by ABS actuator and electric unit (control unit).</li> </ul>	<a href="#">RFD-68, "ABS System"</a>
CAN COMM CIRCUIT [U1000]	<ul style="list-style-type: none"> <li>Malfunction has been detected from CAN communication line.</li> </ul>	<a href="#">RFD-69, "CAN Communication Line"</a>
NO DTC IS DETECTED. FURTHER TESTING MAY BE REQUIRED.	<ul style="list-style-type: none"> <li>No NG item has been detected.</li> </ul>	—

**CAUTION:**

If "CAN COMM CIRCUIT [U1000]" is displayed with other DTCs, first perform the trouble diagnosis for CAN communication line.

# TROUBLE DIAGNOSIS

## [WITH ELECTRONIC LOCKING DIFFERENTIAL]

### DATA MONITOR MODE

#### Display Item List

×: Standard    -: Not applicable

Monitor item (Unit)	SELECT MONITOR ITEM			Remarks
	ECU INPUT SIGNALS	MAIN SIGNALS	SELECTION FROM MENU	
BATTERY VOLT [V]	×	×	×	Power supply voltage for differential lock control unit.
4WD MODE [2H/4H/4Lo]	×	×	×	4WD shift switch signal status via CAN communication line is displayed.
VHCL S/SEN-R [km/h] or [mph]	×	-	×	Wheel speed calculated by rear wheel sensor right signal is displayed.
VHCL S/SEN-L [km/h] or [mph]	×	-	×	Wheel speed calculated by rear wheel sensor left signal is displayed.
VHCL S/SEN-RL [km/h] or [mph]	×	×	×	Average value between wheel speed calculated by rear wheel sensor right signal and rear wheel sensor left signal is displayed.
D-LOCK SW SIG [ON/OFF]	×	×	×	Condition of differential lock mode switch is displayed.
D-LOCK SIG [ON/OFF]	×	×	×	Control status of differential lock is displayed.
RELAY ON [ON/OFF]	×	×	×	Operating condition of differential lock solenoid relay is displayed (integrated in differential lock control unit).
RELAY MTR [ON/OFF]	×	×	×	Control status of differential lock solenoid relay is displayed (integrated in differential lock control unit).
SOL MTR [ON/OFF]	×	×	×	Control status of differential lock solenoid is displayed.
IND MTR [ON/OFF]	×	×	×	Control status of DIFF LOCK indicator lamp is displayed.
D-LOCK POS SW [ON/OFF]	×	×	×	Condition of differential lock position switch is displayed.
Voltage [V]	-	-	×	The value measured by the voltage probe is displayed.
Frequency [Hz]	-	-	×	The value measured by the pulse probe is displayed.
DUTY-HI (high) [%]	-	-	×	
DUTY-LOW (low) [%]	-	-	×	
PLS WIDTH-HI [msec]	-	-	×	
PLS WIDTH-LOW [msec]	-	-	×	

A

B

C

RFD

E

F

G

H

I

J

K

L

M

**TROUBLE DIAGNOSIS FOR SYSTEM**  
**[WITH ELECTRONIC LOCKING DIFFERENTIAL]**

**TROUBLE DIAGNOSIS FOR SYSTEM**

PF0:0000

**Power Supply Circuit For Differential Lock Control Unit**  
**CONSULT-II REFERENCE VALUE IN DATA MONITOR MODE**

EDS001P0

Data are reference value.

Monitor item [Unit]	Content	Condition	Display value
BATTERY VOLT [V]	Power supply voltage for differential lock control unit	Ignition switch: ON	Battery voltage

**DIFFERENTIAL LOCK CONTROL UNIT TERMINALS AND REFERENCE VALUE**

Data are reference value and are measured between each terminal and ground.

Terminal	Wire color	Item	Condition	Data (Approx.)
1	L	Power supply	Ignition switch: ON	Battery voltage
			Ignition switch: OFF	0V
2	L	Power supply	Ignition switch: ON	Battery voltage
			Ignition switch: OFF	0V
3	B	Ground	Always	0V
10	B	Ground	Always	0V
15	Y/R	Power supply (Memory back-up)	Ignition switch: ON	Battery voltage
			Ignition switch: OFF	Battery voltage

**CAUTION:**

When using a circuit tester to measure voltage for inspection, be sure not to extend forcibly any connector terminals.

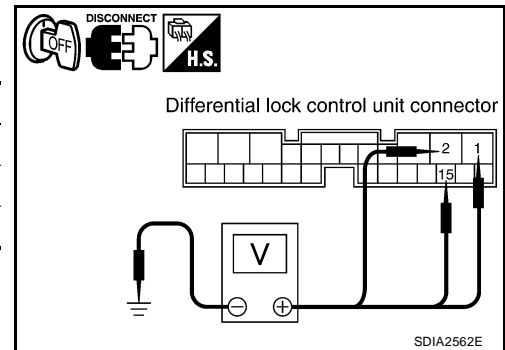
# TROUBLE DIAGNOSIS FOR SYSTEM [WITH ELECTRONIC LOCKING DIFFERENTIAL]

## DIAGNOSTIC PROCEDURE

### 1. CHECK POWER SUPPLY

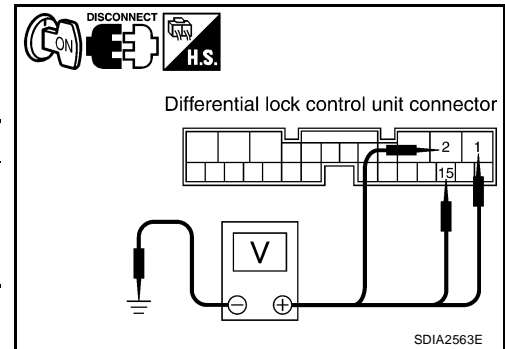
1. Turn ignition switch "OFF".
2. Disconnect differential lock control unit harness connector.
3. Check voltage between differential lock control unit harness connector terminals and ground.

Connector	Terminal	Voltage (Approx.)
B77	1 - Ground	0V
	2 - Ground	0V
	15 - Ground	Battery voltage



4. Turn ignition switch "ON". (Do not start engine.)
5. Check voltage between differential lock control unit harness connector terminals and ground.

Connector	Terminal	Voltage (Approx.)
B77	1 - Ground	Battery voltage
	2 - Ground	
	15 - Ground	



#### OK or NG

OK >> GO TO 2.

NG >> Check the following. If any items are damaged, repair or replace damaged parts.

- 10A fuse [No. 15 or 19, located in fuse block (J/B)]
- Harness for short or open between battery and differential lock control unit harness connector terminal 15
- Harness for short or open between ignition switch and differential lock control unit harness connector terminals 1 and 2
- Battery and ignition switch. Refer to [PG-4, "POWER SUPPLY ROUTING CIRCUIT"](#) .

### 2. CHECK GROUND CIRCUIT

1. Turn ignition switch "OFF".
2. Disconnect differential lock control unit harness connector.
3. Check continuity between differential lock control unit harness connector B77 terminals 3, 10 and ground.

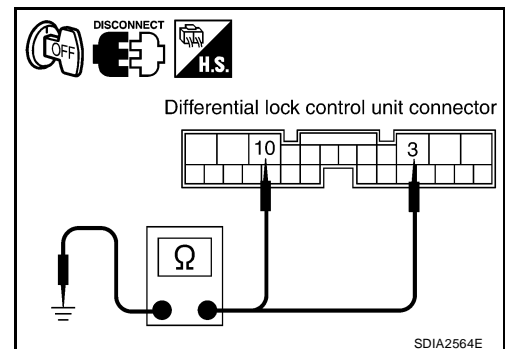
**Continuity should exist.**

Also check harness for short to ground and short to power.

#### OK or NG

OK >> GO TO 3.

NG >> Repair open circuit or short to ground or short to power in harness or connectors.



# TROUBLE DIAGNOSIS FOR SYSTEM [WITH ELECTRONIC LOCKING DIFFERENTIAL]

## 3. CHECK DIFFERENTIAL LOCK CONTROL UNIT

Check differential lock control unit input/output signal. Refer to [RFD-49, "Differential Lock Control Unit Input/Output Signal Reference Values"](#) .

OK or NG

- OK >> GO TO 4.
- NG >> Check differential lock control unit pin terminals for damage or loose connection with harness connector. If any items are damaged, repair or replace damaged parts.

## 4. CHECK DTC

Perform the self-diagnosis, after driving the vehicle for a while.

OK or NG

- OK >> **INSPECTION END**
- NG >> Replace differential lock control unit. Refer to [RFD-76, "DIFFERENTIAL LOCK CONTROL UNIT"](#)

## Differential Lock Control Unit DIAGNOSTIC PROCEDURE

EDS001PP

### 1. PERFORM SELF-DIAGNOSIS

Ⓟ With CONSULT-II

1. Turn ignition switch "ON". (Do not start engine.)
2. Select "SELF-DIAG RESULTS" mode for "DIFF LOCK" with CONSULT-II.
3. Touch "ERASE".
4. Turn ignition switch "OFF" and wait at least 10 seconds.
5. Perform the self-diagnosis again.

Is the "CONTROL UNIT 1 [P1834]", "CONTROL UNIT 2 [P1835]", "CONTROL UNIT 3 [P1836]" or "CONTROL UNIT 4 [P1837]" displayed?

- YES >> Replace differential lock control unit. Refer to [RFD-76, "DIFFERENTIAL LOCK CONTROL UNIT"](#)
- NO >> **INSPECTION END**

## Differential Lock Mode Switch CONSULT-II REFERENCE VALUE IN DATA MONITOR MODE

EDS001PO

Data are reference value.

Monitor item	Content	Condition	Display value
D-LOCK SW SIG [ON/OFF]	Condition of differential lock mode switch	Differential lock mode switch: ON	ON
		Differential lock mode switch: OFF	OFF

## DIFFERENTIAL LOCK CONTROL UNIT TERMINALS AND REFERENCE VALUE

Data are reference value and are measured between each terminal and ground.

Terminal	Wire color	Item	Condition	Data (Approx.)
9	G	Differential lock mode switch (ON)	Ignition switch: ON	Differential lock mode switch: ON Battery voltage
				Differential lock mode switch: OFF 0V
22	O	Differential lock mode switch (OFF)	Ignition switch: ON	Differential lock mode switch: ON 0V
				Differential lock mode switch: OFF Battery voltage

**CAUTION:**

When using a circuit tester to measure voltage for inspection, be sure not to extend forcibly any connector terminals.



# TROUBLE DIAGNOSIS FOR SYSTEM [WITH ELECTRONIC LOCKING DIFFERENTIAL]

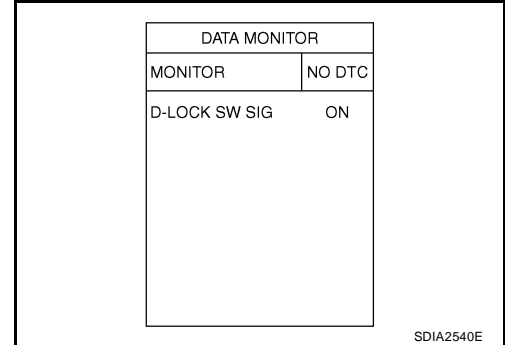
## DIAGNOSTIC PROCEDURE

### 1. CHECK DIFFERENTIAL LOCK MODE SWITCH SIGNAL

Ⓜ With CONSULT-II

1. Start engine.
2. Select "DATA MONITOR" mode for "DIFF LOCK" with CONSULT-II.
3. Read out ON/OFF switching action of "D-LOCK SW SIG".

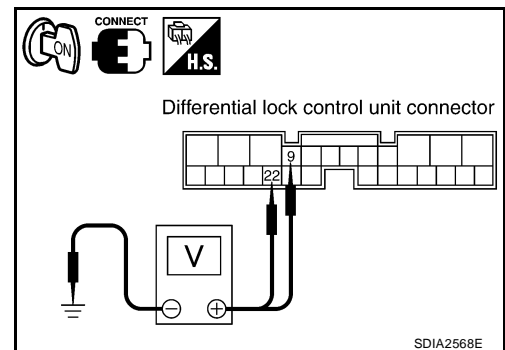
Monitor item	Condition		Display value
D-LOCK SW SIG	<ul style="list-style-type: none"> <li>● Vehicle stopped</li> <li>● Engine running</li> </ul>	Differential lock mode switch: ON	ON
		Differential lock mode switch: OFF	OFF



ⓧ Without CONSULT-II

1. Turn ignition switch "ON".
2. Check voltage between differential lock control unit harness connector terminals and ground.

Connector	Terminal	Condition	Voltage (Approx.)
B77	9 - Ground	Differential lock mode switch: ON	Battery voltage
		Differential lock mode switch: OFF	0V
	22 - Ground	Differential lock mode switch: ON	0V
		Differential lock mode switch: OFF	Battery voltage



**OK or NG**

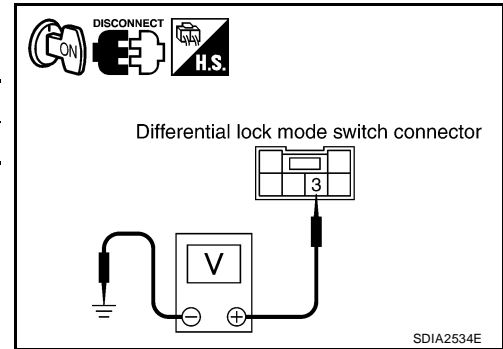
- OK >> GO TO 5.  
NG >> GO TO 2.

# TROUBLE DIAGNOSIS FOR SYSTEM [WITH ELECTRONIC LOCKING DIFFERENTIAL]

## 2. CHECK DIFFERENTIAL LOCK MODE SWITCH SUPPLY CIRCUIT

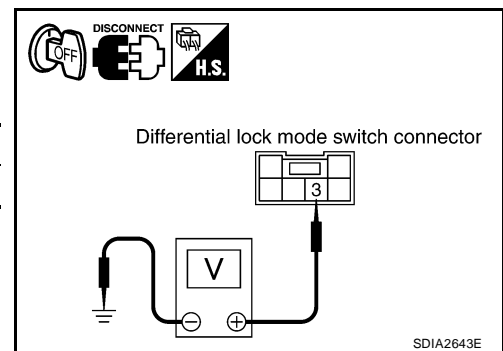
1. Turn ignition switch "ON".
2. Disconnect differential lock mode switch harness connector.
3. Check voltage between differential lock mode switch harness connector terminal 3 and ground.

Connector	Terminal	Voltage (Approx.)
M72	3 - Ground	Battery voltage



4. Turn ignition switch "OFF".
5. Check voltage between differential lock mode switch harness connector terminal 3 and ground.

Connector	Terminal	Voltage (Approx.)
M72	3 - Ground	0V



### OK or NG

OK >> GO TO 3.

NG >> Check the following. If any items are damaged, repair or replace damaged parts.

- 10A fuse [No. 15, located in fuse block (J/B)]
- Harness for short or open between ignition switch and differential lock mode switch harness connector terminals 3
- Ignition switch. Refer to [PG-4, "POWER SUPPLY ROUTING CIRCUIT"](#) .

## 3. CHECK DIFFERENTIAL LOCK MODE SWITCH

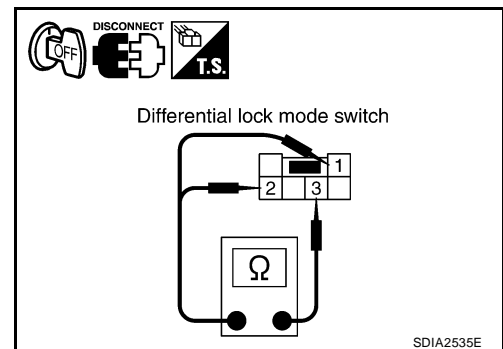
1. Turn ignition switch "OFF".
2. Disconnect differential lock mode switch harness connector.
3. Operate differential lock mode switch and check continuity between differential lock mode switch terminals.

Terminal	Condition	Continuity
1 - 3	Differential lock mode switch: ON	No
	Differential lock mode switch: OFF	Yes
2 - 3	Differential lock mode switch: ON	Yes
	Differential lock mode switch: OFF	No

### OK or NG

OK >> GO TO 4.

NG >> Replace differential lock mode switch.



# TROUBLE DIAGNOSIS FOR SYSTEM [WITH ELECTRONIC LOCKING DIFFERENTIAL]

## 4. CHECK HARNESS BETWEEN DIFFERENTIAL LOCK CONTROL UNIT AND DIFFERENTIAL LOCK MODE SWITCH

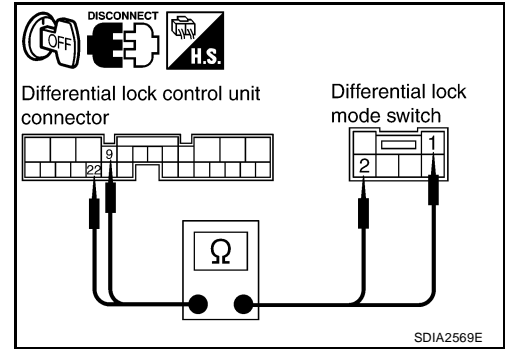
1. Turn ignition switch "OFF".
2. Disconnect differential lock control unit harness connector and differential lock mode switch harness connector.
3. Check continuity between the following terminals.
  - Differential lock control unit harness connector B77 terminal 9 and differential lock mode switch harness connector M72 terminal 2.
  - Differential lock control unit harness connector B77 terminal 22 and differential lock mode switch harness connector M72 terminal 1.

**Continuity should exist.**

Also check harness for short to ground and short to power.

OK or NG

- OK >> GO TO 5.
- NG >> Repair or replace damaged parts.



## 5. CHECK DIFFERENTIAL LOCK CONTROL UNIT

Check differential lock control unit input/output signal. Refer to [RFD-49, "Differential Lock Control Unit Input/Output Signal Reference Values"](#) .

OK or NG

- OK >> GO TO 6.
- NG >> Check differential lock control unit pin terminals for damage or loose connection with harness connector. If any items are damaged, repair or replace damaged parts.

## 6. CHECK DTC

Perform the self-diagnosis, after driving a vehicle for a while.

OK or NG

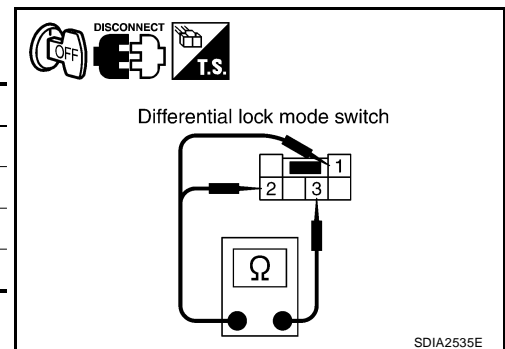
- OK >> **INSPECTION END**
- NG >> Replace differential lock control unit. Refer to [RFD-76, "DIFFERENTIAL LOCK CONTROL UNIT"](#)

## COMPONENT INSPECTION

1. Turn ignition switch "OFF".
2. Disconnect differential lock mode switch harness connector.
3. Operate differential lock mode switch and check continuity between differential lock mode switch terminals.

Terminal	Condition	Continuity
1 - 3	Differential lock mode switch: ON	No
	Differential lock mode switch: OFF	Yes
2 - 3	Differential lock mode switch: ON	Yes
	Differential lock mode switch: OFF	No

4. If NG, replace differential lock mode switch.



# TROUBLE DIAGNOSIS FOR SYSTEM [WITH ELECTRONIC LOCKING DIFFERENTIAL]

EDS001PR

## Differential Lock Position Switch CONSULT-II REFERENCE VALUE IN DATA MONITOR MODE

Data are reference value.

Monitor item	Content	Condition	Display value
D-LOCK POS SW [ON/OFF]	Condition of differential lock position switch	<ul style="list-style-type: none"> <li>● Vehicle stopped</li> <li>● Engine running</li> <li>● VDC OFF switch: ON</li> <li>● 4WD shift switch: 4LO</li> </ul>	Differential lock mode switch: ON (DIFF LOCK indicator lamp: ON)
			Differential lock mode switch: OFF (DIFF LOCK indicator lamp: OFF)

## DIFFERENTIAL CONTROL UNIT TERMINALS AND REFERENCE VALUE

Data are reference value and are measured between each terminal and ground.

Terminal	Wire color	Item	Condition	Data (Approx.)
20	W/R	Differential lock position switch	<ul style="list-style-type: none"> <li>● Vehicle stopped</li> <li>● Engine running</li> </ul>	Differential lock mode switch: ON (DIFF LOCK indicator lamp: ON)
			<ul style="list-style-type: none"> <li>● VDC OFF switch: ON</li> <li>● 4WD shift switch: 4LO</li> </ul>	Differential lock mode switch: OFF (DIFF LOCK indicator lamp: OFF)

**CAUTION:**

When using a circuit tester to measure voltage for inspection, be sure not to extend forcibly any connector terminals.

# TROUBLE DIAGNOSIS FOR SYSTEM [WITH ELECTRONIC LOCKING DIFFERENTIAL]

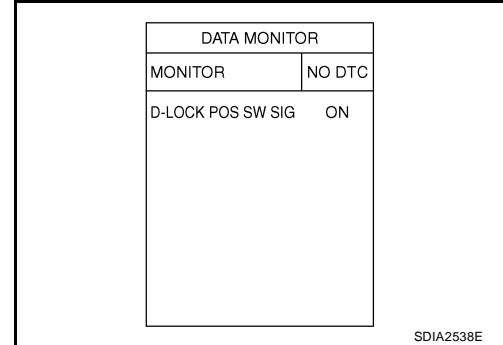
## DIAGNOSTIC PROCEDURE

### 1. CHECK DIFFERENTIAL LOCK POSITION SWITCH SIGNAL

④ With CONSULT-II

1. Start engine.
2. Select "DATA MONITOR" mode for "DIFF LOCK" with CONSULT-II.
3. Read out ON/OFF switching action of "D-LOCK POS SW SIG".

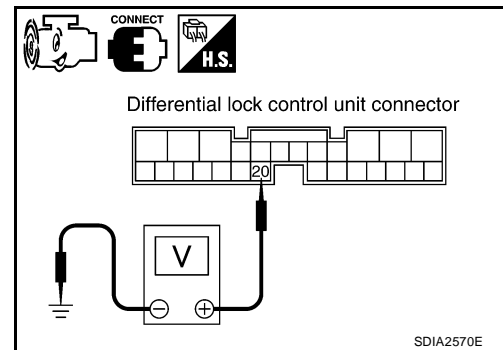
Monitor item	Condition		Display value
D-LOCK POS SW SIG	<ul style="list-style-type: none"> <li>● Vehicle stopped</li> <li>● Engine running</li> <li>● VDC OFF switch: ON</li> <li>● 4WD shift switch: 4LO</li> </ul>	Differential lock mode switch: ON (DIFF LOCK indicator lamp: ON)	ON
		Differential lock mode switch: OFF (DIFF LOCK indicator lamp: OFF)	OFF



⊗ Without CONSULT-II

1. Start engine.
2. Check voltage between differential lock control unit harness connector terminal and ground.

Connector	Terminal	Condition		Voltage (Approx.)
B77	20 - Ground	<ul style="list-style-type: none"> <li>● Vehicle stopped</li> <li>● Engine running</li> <li>● VDC OFF switch: ON</li> <li>● 4WD shift switch: 4LO</li> </ul>	Differential lock mode switch: ON (DIFF LOCK indicator lamp: ON)	0V
			Differential lock mode switch: OFF (DIFF LOCK indicator lamp: OFF)	Battery voltage



OK or NG

- OK >> GO TO 5.  
NG >> GO TO 2.

### 2. CHECK GROUND CIRCUIT

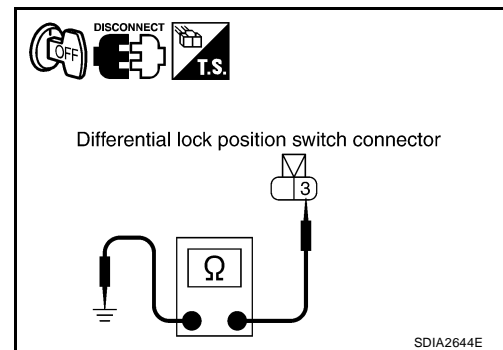
1. Turn ignition switch OFF.
2. Disconnect differential lock position switch harness connector.
3. Check continuity between differential lock position switch harness connector C16 terminal 3 and ground.

**Continuity should exist.**

Also check harness for short to power.

OK or NG

- OK >> GO TO 3.  
NG >> Repair open circuit or short to power in harness or connectors.



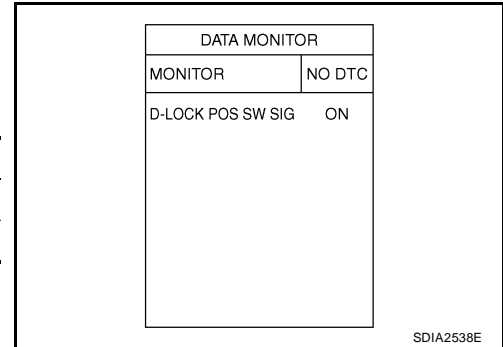
# TROUBLE DIAGNOSIS FOR SYSTEM [WITH ELECTRONIC LOCKING DIFFERENTIAL]

## 3. CHECK DIFFERENTIAL LOCK POSITION SWITCH

④ With CONSULT-II

1. Turn ignition switch ON.
2. Select "DATA MONITOR" mode for "DIFF LOCK" with CONSULT-II.
3. Read out ON/OFF switching action of "D-LOCK POS SW SIG" while connecting and disconnecting jumper wire between differential lock position switch harness connector C16 terminals 1 and 3.

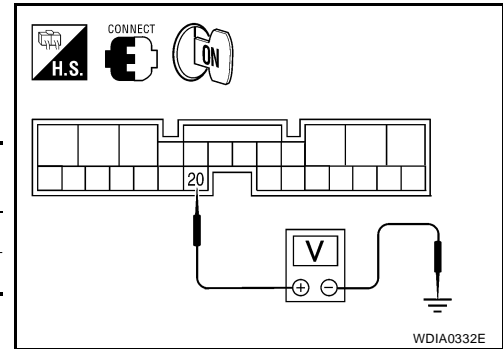
Monitor item	Condition	Display value
D-LOCK POS SW SIG	Jumper wire connected	ON
	Jumper wire disconnected	OFF



⊗ Without CONSULT-II

1. Turn ignition switch ON.
2. Check voltage between differential lock control unit harness connector B77 terminal 20 and ground while connecting and disconnecting jumper wire between differential lock position switch harness connector C16 terminals 1 and 3.

Connector	Terminal	Condition	Voltage (Approx.)
B77	20 - Ground	Jumper wire connected	0V
		Jumper wire disconnected	Battery voltage



OK or NG

- OK >> Replace differential lock position switch.
- NG >> GO TO 4.

## 4. CHECK HARNESS BETWEEN DIFFERENTIAL LOCK CONTROL UNIT AND DIFFERENTIAL LOCK POSITION SWITCH

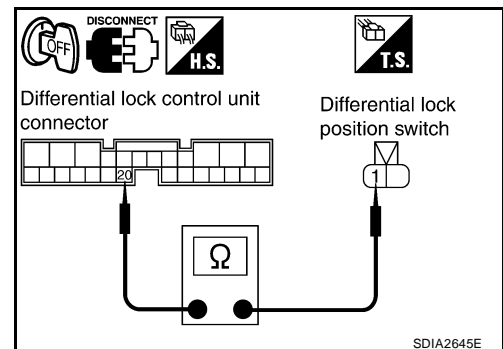
1. Turn ignition switch OFF.
2. Disconnect differential lock control unit harness connector.
3. Check continuity between differential lock control unit harness connector B77 terminal 20 and differential lock position switch harness connector C16 terminal 1.

**Continuity should exist.**

Also check harness for short to ground and short to power.

OK or NG

- OK >> GO TO 5.
- NG >> Repair or replace damaged parts.



# TROUBLE DIAGNOSIS FOR SYSTEM [WITH ELECTRONIC LOCKING DIFFERENTIAL]

## 5. CHECK DIFFERENTIAL LOCK CONTROL UNIT

Check differential lock control unit input/output signal. Refer to [RFD-49, "Differential Lock Control Unit Input/Output Signal Reference Values"](#) .

OK or NG

- OK >> GO TO 6.
- NG >> Check differential lock control unit pin terminals for damage or loose connection with harness connector. If any items are damaged, repair or replace damaged parts.

## 6. CHECK DTC

Perform the self-diagnosis, after driving a vehicle for a while.

OK or NG

- OK >> **INSPECTION END**
- NG >> Replace differential lock control unit. Refer to [RFD-76, "DIFFERENTIAL LOCK CONTROL UNIT"](#)

## Differential Lock Solenoid Relay CONSULT-II REFERENCE VALUE IN DATA MONITOR MODE

EDS001PS

Data are reference value.

Monitor item	Content	Condition	Display value
RELAY ON [ON/OFF]	Operating condition of differential lock solenoid relay (integrated in differential lock control unit)	<ul style="list-style-type: none"> <li>● Vehicle stopped</li> <li>● Engine running</li> <li>● VDC OFF switch: ON</li> <li>● 4WD shift switch: 4LO</li> </ul>	Differential lock mode switch: ON ON
			Differential lock mode switch: OFF OFF

## DIAGNOSTIC PROCEDURE

### 1. CHECK DIFFERENTIAL LOCK SOLENOID SYSTEM

Perform self-diagnosis. Refer to [RFD-51, "SELF-DIAG RESULTS MODE"](#) .

Is "RELAY [P1844]" displayed?

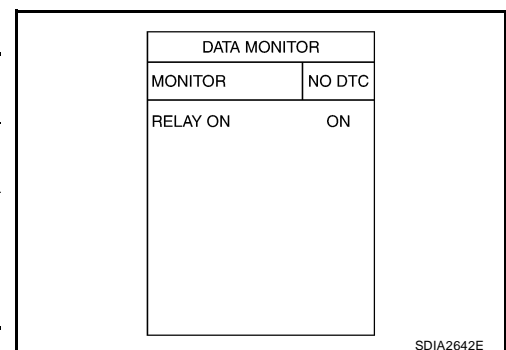
- YES >> Perform trouble diagnosis for differential lock solenoid. Refer to [RFD-64, "Differential Lock Solenoid"](#) .
- NO >> GO TO 2.

### 2. CHECK DIFFERENTIAL LOCK SOLENOID RELAY SIGNAL

 With CONSULT-II

1. Start engine.
2. Select "DATA MONITOR" mode for "DIFF LOCK" with CONSULT-II.
3. Read out ON/OFF switching action of "RELAY ON".

Monitor item	Condition	Display value
RELAY ON	<ul style="list-style-type: none"> <li>● Vehicle stopped</li> <li>● Engine running</li> <li>● VDC OFF switch: ON</li> <li>● 4WD shift switch: 4LO</li> </ul>	Differential lock mode switch: ON ON
		Differential lock mode switch: OFF OFF



OK or NG

- OK >> GO TO 4.
- NG >> GO TO 3.

# TROUBLE DIAGNOSIS FOR SYSTEM

## [WITH ELECTRONIC LOCKING DIFFERENTIAL]

### 3. CHECK DIFFERENTIAL LOCK CONTROL UNIT

Check differential lock control unit input/output signal. Refer to [RFD-49, "Differential Lock Control Unit Input/Output Signal Reference Values"](#) .

**OK or NG**

- OK >> GO TO 4.
- NG >> Check differential lock control unit pin terminals for damage or loose connection with harness connector. If any item is damaged, repair or replace damaged parts.

### 4. CHECK DTC

Perform the self-diagnosis, after driving a vehicle for a while.

**OK or NG**

- OK >> **INSPECTION END**
- NG >> Replace differential lock control unit. Refer to [RFD-76, "DIFFERENTIAL LOCK CONTROL UNIT"](#)

### Differential Lock Solenoid

#### CONSULT-II REFERENCE VALUE IN DATA MONITOR MODE

EDS001PT

Data are reference value.

Monitor item	Content	Condition	Display value
RELAY ON [ON/OFF]	Operating condition of differential lock solenoid relay (integrated in differential lock control unit)	<ul style="list-style-type: none"> <li>● Vehicle stopped</li> <li>● Engine running</li> <li>● VDC OFF switch: ON</li> <li>● 4WD shift switch: 4LO</li> </ul>	Differential lock mode switch: ON ON
			Differential lock mode switch: OFF OFF
RELAY MTR [ON/OFF]	Control status of differential lock solenoid relay (integrated in differential lock control unit)	<ul style="list-style-type: none"> <li>● Vehicle stopped</li> <li>● Engine running</li> <li>● VDC OFF switch: ON</li> <li>● 4WD shift switch: 4LO</li> </ul>	Differential lock mode switch: ON ON
			Differential lock mode switch: OFF OFF
SOL MTR [ON/OFF]	Control status of differential lock solenoid	<ul style="list-style-type: none"> <li>● Vehicle stopped</li> <li>● Engine running</li> <li>● VDC OFF switch: ON</li> <li>● 4WD shift switch: 4LO</li> </ul>	Differential lock mode switch: ON ON
			Differential lock mode switch: OFF OFF

### DIFFERENTIAL LOCK CONTROL UNIT TERMINALS AND REFERENCE VALUE

Data are reference value and are measured between each terminal and ground.

Terminal	Wire color	Item	Condition	Data (Approx.)
11	V	Differential lock solenoid (-)	<ul style="list-style-type: none"> <li>● Vehicle stopped</li> <li>● Engine running</li> <li>● VDC OFF switch: ON</li> <li>● 4WD shift switch: 4LO</li> </ul>	Differential lock mode switch: ON 0V
				Differential lock mode switch: OFF Battery voltage
12	Y	Differential lock solenoid (+)	<ul style="list-style-type: none"> <li>● Vehicle stopped</li> <li>● Engine running</li> <li>● VDC OFF switch: ON</li> <li>● 4WD shift switch: 4LO</li> </ul>	Differential lock mode switch: ON 0V
				Differential lock mode switch: OFF Battery voltage

**CAUTION:**

When using a circuit tester to measure voltage for inspection, be sure not to extend forcibly any connector terminals.



# TROUBLE DIAGNOSIS FOR SYSTEM [WITH ELECTRONIC LOCKING DIFFERENTIAL]

## DIAGNOSTIC PROCEDURE

### 1. CHECK DIFFERENTIAL SOLENOID SIGNAL

Ⓜ With CONSULT-II

1. Start engine.
2. Select "DATA MONITOR" mode for "DIFF LOCK" with CONSULT-II.
3. Read out ON/OFF switching action of "RELAY ON", "RELAY MTR", "SOL MTR".

Monitor item	Condition		Display value
RELAY ON	<ul style="list-style-type: none"> <li>● Vehicle stopped</li> <li>● Engine running</li> <li>● VDC OFF switch: ON</li> <li>● 4WD shift switch: 4LO</li> </ul>	Differential lock mode switch: ON	ON
		Differential lock mode switch: OFF	OFF
RELAY MTR		Differential lock mode switch: ON	ON
		Differential lock mode switch: OFF	OFF
SOL MTR		Differential lock mode switch: ON	ON
		Differential lock mode switch: OFF	OFF

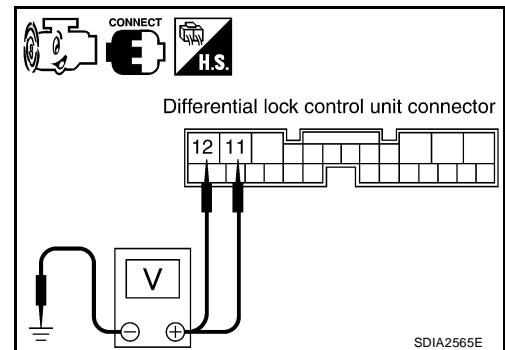
DATA MONITOR	
MONITOR	NO DTC
RELAY ON	OFF
RELAY MTR	OFF
SOL MTR	OFF

SDIA2539E

ⓧ Without CONSULT-II

1. Start engine.
2. Check voltage between differential lock control unit harness connector terminal and ground.

Connector	Terminal	Condition	Data (Approx.)
B77	11 - Ground	Differential lock mode switch: ON	0V
		Differential lock mode switch: OFF	Battery voltage
	12 - Ground	Differential lock mode switch: ON	0V
		Differential lock mode switch: OFF	Battery voltage



OK or NG

- OK    >> GO TO 6.  
 NG    >> GO TO 2.

# TROUBLE DIAGNOSIS FOR SYSTEM [WITH ELECTRONIC LOCKING DIFFERENTIAL]

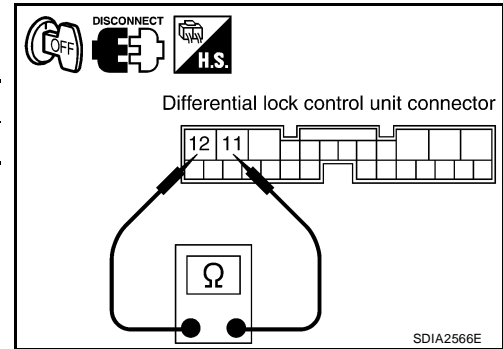
## 2. CHECK DIFFERENTIAL LOCK SOLENOID CIRCUIT

1. Turn ignition switch "OFF".
2. Disconnect differential lock control unit harness connector.
3. Check resistance between differential lock control unit harness connector terminals 11 and 12.

Connector	Terminal	Resistance (Approx.)
B77	11 - 12	3.4 Ω

OK or NG

- OK >> GO TO 6.
- NG >> GO TO 3.



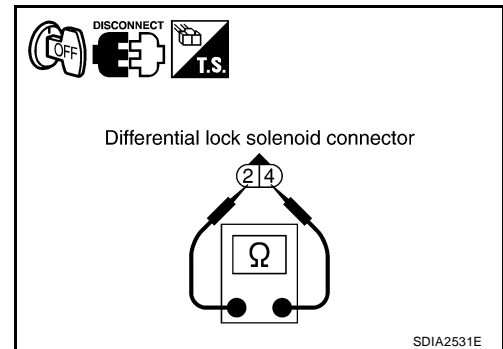
## 3. CHECK DIFFERENTIAL LOCK SOLENOID RESISTANCE

1. Turn ignition switch "OFF".
2. Disconnect differential lock solenoid harness connector.
3. Check resistance between differential lock solenoid terminals 2 and 4.

2 - 4 : Approx. 3.4Ω

OK or NG

- OK >> GO TO 4.
- NG >> Replace differential solenoid. Refer to [RFD-89, "Differential Assembly"](#) .



## 4. CHECK DIFFERENTIAL LOCK SOLENOID OPERATION

1. Turn ignition switch "OFF".
2. Disconnect differential lock solenoid harness connector.
3. Check operation by applying battery voltage to differential lock solenoid terminals.

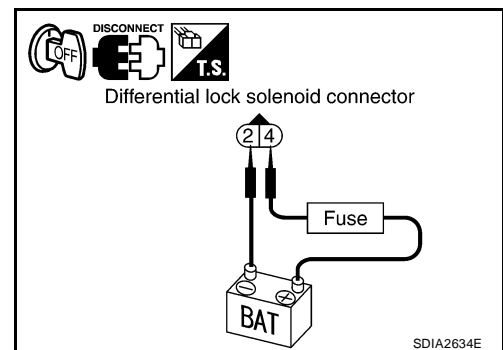
**CAUTION:**

**Be sure to apply the voltage of the correct polarity to the respective terminals. Otherwise, the part may be damaged.**

Terminal
4 (Battery voltage) - 2 (Ground)

Does solenoid operate?

- YES >> GO TO 5.
- NO >> Replace differential solenoid. Refer to [RFD-89, "Differential Assembly"](#) .



# TROUBLE DIAGNOSIS FOR SYSTEM [WITH ELECTRONIC LOCKING DIFFERENTIAL]

## 5. CHECK HARNESS BETWEEN DIFFERENTIAL LOCK CONTROL UNIT AND DIFFERENTIAL LOCK SOLENOID

1. Turn ignition switch "OFF".
2. Disconnect differential lock control unit harness connector and differential lock solenoid harness connector.
3. Check continuity between the following terminals.
  - Differential lock control unit harness connector B77 terminal 11 and differential lock solenoid harness connector C17 terminal 2.
  - Differential lock control unit harness connector B77 terminal 12 and differential lock solenoid harness connector C17 terminal 4.

**11 - 2 : Continuity should exist.**

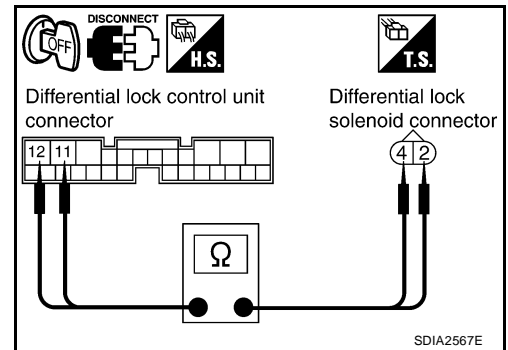
**12 - 4 : Continuity should exist.**

Also check harness for short to ground and short to power.

OK or NG

OK >> GO TO 6.

NG >> Repair or replace damaged parts.



## 6. CHECK DIFFERENTIAL LOCK CONTROL UNIT

Check differential lock control unit input/output signal. Refer to [RFD-49, "Differential Lock Control Unit Input/Output Signal Reference Values"](#) .

OK or NG

OK >> GO TO 7.

NG >> Check differential lock control unit pin terminals for damage or loose connection with harness connector. If any items are damaged, repair or replace damaged parts.

## 7. CHECK DTC

Perform the self-diagnosis, after driving a vehicle for a while.

OK or NG

OK >> **INSPECTION END**

NG >> Replace differential lock control unit. Refer to [RFD-76, "DIFFERENTIAL LOCK CONTROL UNIT"](#)

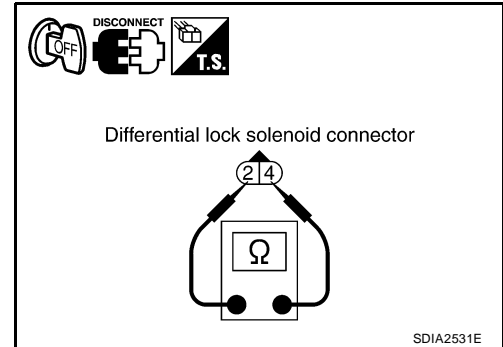
# TROUBLE DIAGNOSIS FOR SYSTEM [WITH ELECTRONIC LOCKING DIFFERENTIAL]

## COMPONENT INSPECTION

1. Turn ignition switch "OFF".
2. Disconnect differential lock solenoid harness connector.
3. Check resistance between differential lock solenoid terminals 2 and 4.

**2 - 4 : Approx. 3.4Ω**

4. If NG, replace differential lock solenoid. Refer to [RFD-89, "Differential Assembly"](#) .



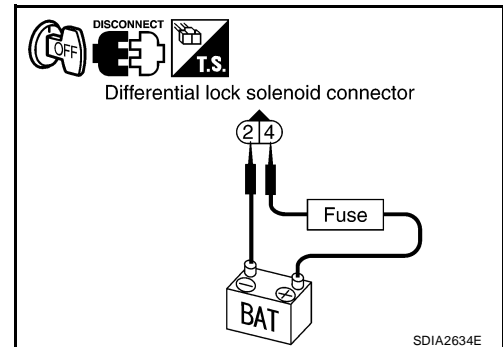
5. Check operation by applying battery voltage to differential lock solenoid terminals.

**CAUTION:**

**Be sure to apply the voltage of the correct polarity to the respective terminals. Otherwise, the part may be damaged.**

Terminal
4 (Battery voltage) - 2 (Ground)

6. If NG, replace differential lock solenoid.



EDS001PU

## ABS System DIAGNOSTIC PROCEDURE

### 1. CHECK DTC WITH ABS ACTUATOR AND ELECTRIC UNIT (CONTROL UNIT)

Perform self-diagnosis with ABS actuator and electric unit (control unit). Refer to [BRC-22, "SELF-DIAGNOSIS"](#) .

Is any malfunction detected by self-diagnosis?

- YES >> Check the malfunctioning system.
- NO >> GO TO 2.

### 2. CHECK DIFFERENTIAL LOCK CONTROL UNIT

Check differential lock control unit input/output signal. Refer to [RFD-49, "Differential Lock Control Unit Input/Output Signal Reference Values"](#) .

OK or NG

- OK >> GO TO 3.
- NG >> Check differential lock control unit pin terminals for damage or loose connection with harness connector. If any items are damaged, repair or replace damaged parts.

### 3. CHECK DTC

Perform the self-diagnosis, after driving a vehicle for a while.

OK or NG

- OK >> **INSPECTION END**
- NG >> Perform self-diagnosis with ABS actuator and electric unit (control unit) again. Refer to [BRC-22, "SELF-DIAGNOSIS"](#) .

# TROUBLE DIAGNOSIS FOR SYSTEM [WITH ELECTRONIC LOCKING DIFFERENTIAL]

EDS001PV

## CAN Communication Line DIAGNOSTIC PROCEDURE

### 1. CHECK CAN COMMUNICATION CIRCUIT

Ⓜ With CONSULT-II

1. Turn ignition switch "ON" and start engine.
2. Select "SELF-DIAG RESULTS" mode for "DIFF LOCK" with in CONSULT-II.
3. Perform the self-diagnosis.

Is the "CAN COMM CIRCUIT [U1000]" displayed?

- YES >> Go to [LAN-5, "TROUBLE DIAGNOSIS"](#) .  
NO >> **INSPECTION END**

SELF-DIAG RESULTS	
DTC RESULTS	TIME
CAN COMM CIRCUIT [U1000]	0
ERASE	PRINT

SDIA1850E

A  
B  
C  
RFD  
E  
F  
G  
H  
I  
J  
K  
L  
M

# TROUBLE DIAGNOSIS FOR SYMPTOMS [WITH ELECTRONIC LOCKING DIFFERENTIAL]

PFP:00007

## TROUBLE DIAGNOSIS FOR SYMPTOMS

### DIFF LOCK Indicator Lamp Does Not Turn ON

EDS001PW

#### SYMPTOM:

DIFF LOCK indicator lamp does not turn ON for approx. 1 second when turning ignition switch to "ON".

#### DIAGNOSTIC PROCEDURE

### 1. CHECK SYSTEM FOR CAN COMMUNICATION LINE

Perform self-diagnosis. Refer to [RFD-51, "SELF-DIAG RESULTS MODE"](#) .

Is "CAN COMM CIRCUIT" displayed?

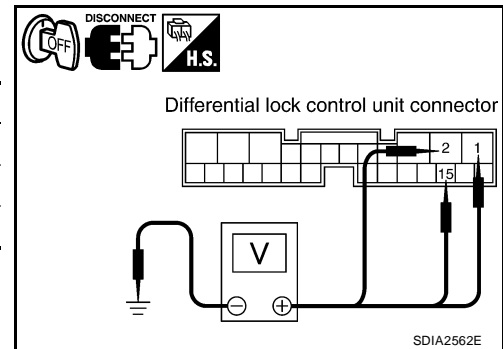
YES >> Perform trouble diagnosis for CAN communication line. Refer to [RFD-69, "CAN Communication Line"](#) .

NO >> GO TO 2.

### 2. CHECK DIFFERENTIAL LOCK CONTROL UNIT POWER SUPPLY

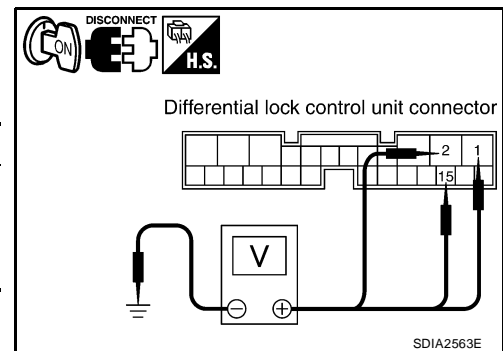
1. Turn ignition switch "OFF".
2. Disconnect differential lock control unit harness connector.
3. Check voltage between differential lock control unit harness connector terminals and ground.

Connector	Terminal	Voltage (Approx.)
B77	1 - Ground	0V
	2 - Ground	0V
	15 - Ground	Battery voltage



4. Turn ignition switch "ON". (Do not start engine.)
5. Check voltage between differential lock control unit harness connector terminals and ground.

Connector	Terminal	Voltage (Approx.)
B77	1 - Ground	Battery voltage
	2 - Ground	
	15 - Ground	



OK or NG

OK >> GO TO 3.

NG >> Check the following. If any items are damaged, repair or replace damaged parts.

- 10A fuse [No. 15 or 19, located in fuse block (J/B)]
- Harness for short or open between battery and differential lock control unit harness connector terminal 15
- Harness for short or open between ignition switch and differential lock control unit harness connector terminals 1 and 2
- Battery and ignition switch. Refer to [PG-4, "POWER SUPPLY ROUTING CIRCUIT"](#) .

# TROUBLE DIAGNOSIS FOR SYMPTOMS [WITH ELECTRONIC LOCKING DIFFERENTIAL]

## 3. CHECK DIFFERENTIAL LOCK CONTROL UNIT GROUND CIRCUIT

1. Turn ignition switch "OFF".
2. Disconnect differential lock control unit harness connector.
3. Check continuity between differential lock control unit harness connector B77 terminals 3, 10 and ground.

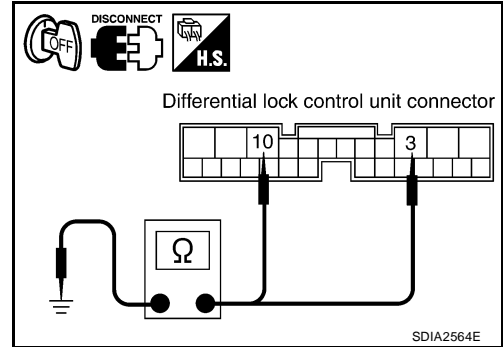
**Continuity should exist.**

Also check harness for short to ground and short to power.

OK or NG

OK >> GO TO 4.

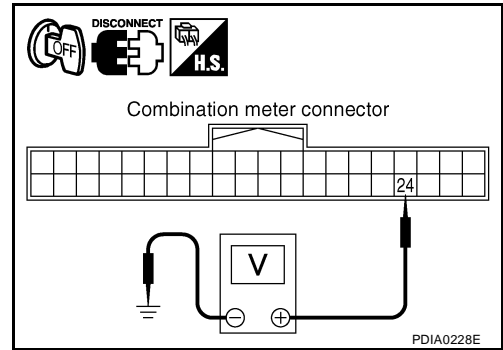
NG >> Repair open circuit or short to ground or short to power in harness or connectors.



## 4. CHECK COMBINATION METER POWER SUPPLY CIRCUIT

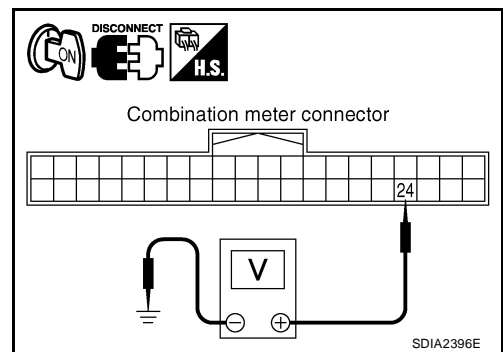
1. Turn ignition switch "OFF".
2. Disconnect combination meter harness connector.
3. Check voltage between combination meter harness connector terminal and ground

Connector	Terminal	Voltage (Approx.)
M24	24 - Ground	0V



4. Turn ignition switch "ON". (Do not start engine.)
5. Check voltage between combination meter harness connector terminal and ground.

Connector	Terminal	Voltage (Approx.)
M24	24 - Ground	Battery Voltage



OK or NG

OK >> GO TO 5.

NG >> Check the following. If any items are damaged, repair or replace damaged parts.

- 10A fuse [No.14, located in the fuse block (J/B)]
- Harness for short or open between ignition switch and combination meter harness connector terminal 24
- Ignition switch. Refer to [PG-4, "POWER SUPPLY ROUTING CIRCUIT"](#) .

## TROUBLE DIAGNOSIS FOR SYMPTOMS [WITH ELECTRONIC LOCKING DIFFERENTIAL]

### 5. CHECK HARNESS BETWEEN DIFFERENTIAL LOCK CONTROL UNIT AND COMBINATION METER

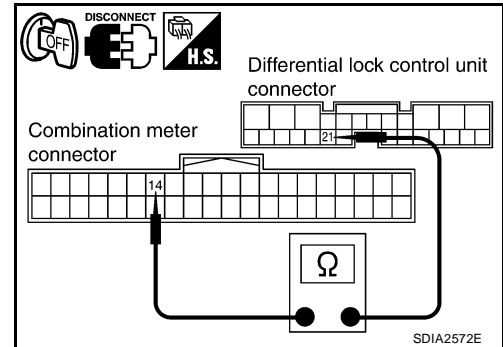
1. Turn ignition switch "OFF".
2. Disconnect differential lock control unit harness connector and combination meter harness connector.
3. Check continuity between differential lock control unit harness connector B77 terminal 21 and combination meter harness connector M24 terminal 14.

**Continuity should exist.**

Also check harness for short to ground and short to power.

OK or NG

- OK >> GO TO 6.  
NG >> Repair or replace damaged parts.



### 6. CHECK DIFF LOCK INDICATOR LAMP CIRCUIT

1. Turn ignition switch "OFF".
2. Check combination meter. Refer to [DI-7, "Arrangement of Combination Meter"](#) .

OK or NG

- OK >> GO TO 7.  
NG >> Replace combination meter. Refer to [IP-13, "COMBINATION METER"](#) .

### 7. CHECK SYMPTOM

Check again.

OK or NG

- OK >> **INSPECTION END**  
NG >> GO TO 8.

### 8. CHECK DIFFERENTIAL LOCK CONTROL UNIT

Check differential lock control unit input/output signal. Refer to [RFD-49, "Differential Lock Control Unit Input/Output Signal Reference Values"](#) .

OK or NG

- OK >> **INSPECTION END**  
NG >> Check differential lock control unit pin terminals for damage or loose connection with harness connector. If any items are damaged, repair or replace damaged parts.



# TROUBLE DIAGNOSIS FOR SYMPTOMS [WITH ELECTRONIC LOCKING DIFFERENTIAL]

EDS001PX

## DIFF LOCK Indicator Lamp Does Not Change

### SYMPTOM:

DIFF LOCK indicator lamp does not change when turning differential lock mode switch to "ON" after engine start.

### DIAGNOSTIC PROCEDURE

#### 1. CHECK DIFF LOCK INDICATOR LAMP

Confirm DIFF LOCK indicator lamp when ignition switch is turned to ON.

Does DIFF LOCK indicator lamp turn on?

YES >> GO TO 2.

NO >> Go to [RFD-70, "DIFF LOCK Indicator Lamp Does Not Turn ON"](#) .

#### 2. CHECK SELF-DIAGNOSTIC RESULTS

Perform self-diagnosis. Refer to [RFD-51, "SELF-DIAG RESULTS MODE"](#) .

Is any malfunction detected by self-diagnosis?

YES >> Check the malfunctioning system.

NO >> GO TO 3.

#### 3. CHECK SYSTEM FOR DIFFERENTIAL LOCK MODE SWITCH

Perform trouble diagnosis for differential lock mode switch system. Refer to [RFD-56, "Differential Lock Mode Switch"](#) .

OK or NG

OK >> GO TO 4.

NG >> Repair or replace damaged parts.

#### 4. CHECK DIFF LOCK INDICATOR LAMP CIRCUIT

1. Turn ignition switch "OFF".

2. Check combination meter. Refer to [DI-7, "Arrangement of Combination Meter"](#) .

OK or NG

OK >> GO TO 5.

NG >> Replace combination meter. Refer to [IP-13, "COMBINATION METER"](#) .

#### 5. CHECK SYMPTOM

Check again.

OK or NG

OK >> **INSPECTION END**

NG >> GO TO 6.

#### 6. CHECK DIFFERENTIAL LOCK CONTROL UNIT

Check differential lock control unit input/output signal. Refer to [RFD-49, "Differential Lock Control Unit Input/Output Signal Reference Values"](#) .

OK or NG

OK >> **INSPECTION END**

NG >> Check differential lock control unit pin terminals for damage or loose connection with harness connector. If any items are damaged, repair or replace damaged parts.

# TROUBLE DIAGNOSIS FOR SYMPTOMS [WITH ELECTRONIC LOCKING DIFFERENTIAL]

EDS001PY

## DIFF LOCK Indicator Lamp Sometimes Flashes

### SYMPTOM:

DIFF LOCK indicator lamp sometimes flashes when it turns ON or OFF during driving.

### DIAGNOSTIC PROCEDURE

#### 1. CHECK DIFF LOCK INDICATOR LAMP

---

Confirm DIFF LOCK indicator lamp when ignition switch is turned to ON.

Does DIFF LOCK indicator lamp turn on?

YES >> GO TO 2.

NO >> Go to [RFD-70, "DIFF LOCK Indicator Lamp Does Not Turn ON"](#) .

#### 2. CHECK SELF-DIAGNOSTIC RESULTS

---

Perform self-diagnosis. Refer to [RFD-51, "SELF-DIAG RESULTS MODE"](#) .

Is any malfunction detected by self-diagnosis?

YES >> Check the malfunctioning system.

NO >> GO TO 3.

#### 3. CHECK SYSTEM FOR DIFFERENTIAL LOCK MODE SWITCH

---

Perform trouble diagnosis for differential lock mode switch system. Refer to [RFD-56, "Differential Lock Mode Switch"](#) .

OK or NG

OK >> GO TO 4.

NG >> Repair or replace damaged parts.

#### 4. CHECK SYSTEM FOR DIFFERENTIAL POSITION SWITCH

---

Perform trouble diagnosis for differential lock position switch system. Refer to [RFD-60, "Differential Lock Position Switch"](#) .

OK or NG

OK >> GO TO 5.

NG >> Repair or replace damaged parts.

#### 5. CHECK SYMPTOM

---

Check again.

OK or NG

OK >> **INSPECTION END**

NG >> GO TO 6.

#### 6. CHECK DIFFERENTIAL LOCK CONTROL UNIT

---

Check differential lock control unit input/output signal. Refer to [RFD-49, "Differential Lock Control Unit Input/Output Signal Reference Values"](#) .

OK or NG

OK >> GO TO 7.

NG >> Check differential lock control unit pin terminals for damage or loose connection with harness connector. If any items are damaged, repair or replace damaged parts.

# TROUBLE DIAGNOSIS FOR SYMPTOMS

## [WITH ELECTRONIC LOCKING DIFFERENTIAL]

---

### 7. CHECK DIFFERENTIAL INNER PARTS

---

1. Disassemble rear final drive assembly. Refer to [RFD-85, "Disassembly and Assembly"](#) .
2. Check differential inner parts.

OK or NG

- OK >> **INSPECTION END**  
NG >> Repair or replace damaged parts.

A

B

C

RFD

E

F

G

H

I

J

K

L

M

# DIFFERENTIAL LOCK CONTROL UNIT [WITH ELECTRONIC LOCKING DIFFERENTIAL]

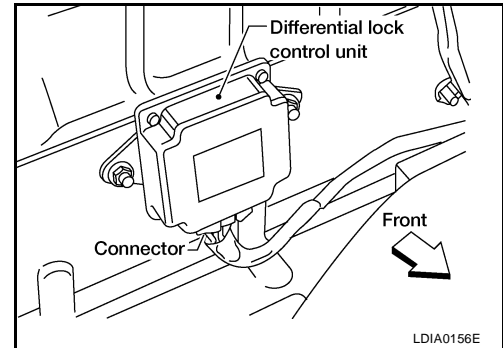
## DIFFERENTIAL LOCK CONTROL UNIT

PFP:28496

### Removal and Installation REMOVAL

EDS001PZ

1. Disconnect the battery cable from the negative terminal.
2. Remove jack and tools.
3. Remove upper bracket of center seat belt retractor and belt assembly. Refer to [SB-8, "Removal and Installation of Rear Seat Belt"](#) .
4. Remove the necessary push pins and reposition rear panel out of the way. Refer to [EI-39, "REAR"](#) .
5. Reposition the carpet to access differential lock control unit to disconnect connector.
6. Remove the two nuts and remove differential lock control unit.



### INSTALLATION

Note the following, and installation is in the reverse order of removal.

- When installing differential lock control unit, tighten nuts to the specified torque.

**Differential lock control unit nuts : 5.1 N·m (0.52 kg·m, 45 in·lb)**

# DIFFERENTIAL LOCK POSITION SWITCH [WITH ELECTRONIC LOCKING DIFFERENTIAL]

PFP:28496

EDS003DN

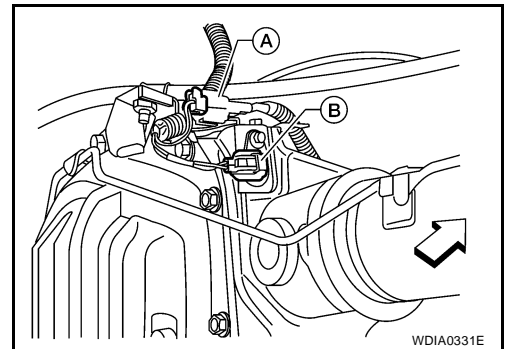
## DIFFERENTIAL LOCK POSITION SWITCH

### Removal and Installation REMOVAL

#### Differential Lock Position Switch

#### CAUTION:

- Be careful not to damage spline, companion flange and front oil seal when removing propeller shaft.
  - Before removing rear final drive assembly or rear axle assembly, disconnect ABS sensor harness connector from the assembly and move it away from rear final drive assembly/rear axle assembly area. Failure to do so may result in sensor wires being damaged and sensor becoming inoperative.
1. Drain rear final drive gear oil. Refer to [RFD-41, "DIFFERENTIAL GEAR OIL"](#) .
  2. Remove rear propeller shaft. Refer to [PR-8, "Removal and Installation"](#) .
  3. Remove both RH and LH axle shafts. Refer to [RAX-6, "Removal and Installation"](#) .
  4. Remove the carrier cover. Refer to [RFD-83, "Removal and Installation"](#) .
  5. Remove differential lock solenoid connector (B) bolt and disconnect differential lock position connector (A).

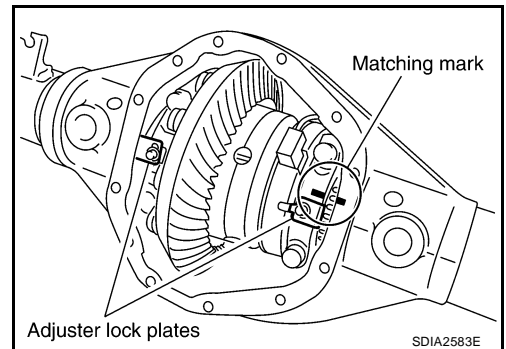


6. For installation, apply a paint matching mark on one side of side bearing cap.

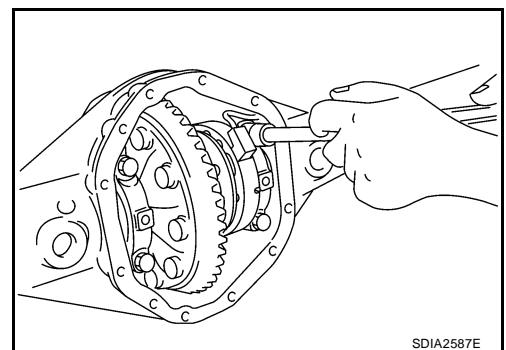
#### CAUTION:

- Side bearing caps are line-board for initial assembly. The matching marks are used to install them in their original positions.
- For matching mark, use paint. Do not damage side bearing cap.

7. Remove adjuster lock plates.



8. Remove side bearing caps.

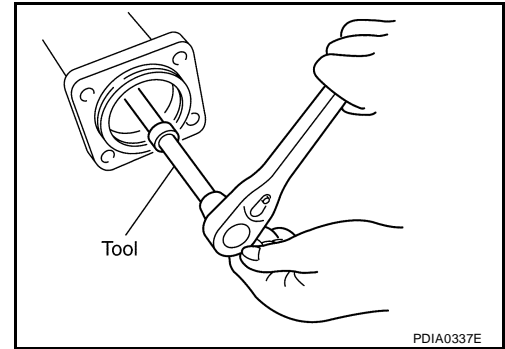


A  
B  
C  
RFD  
E  
F  
G  
H  
I  
J  
K  
L  
M

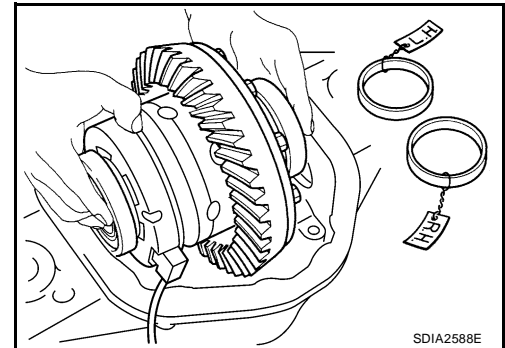
# DIFFERENTIAL LOCK POSITION SWITCH [WITH ELECTRONIC LOCKING DIFFERENTIAL]

9. Loosen the side bearing adjusters using Tool.

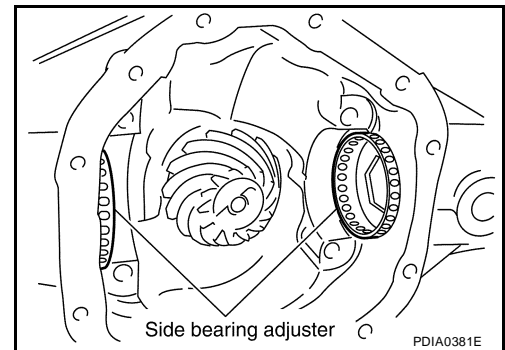
Tool number : — (C - 4164)



10. Keep side bearing outer races together with inner races. Do not mix them up. Also, keep side bearing adjusters together with bearing.



11. Remove side bearing adjusters from gear carrier.



12. Remove bracket for the differential lock position switch connector and bolts.

13. Remove differential lock position switch.

## INSTALLATION

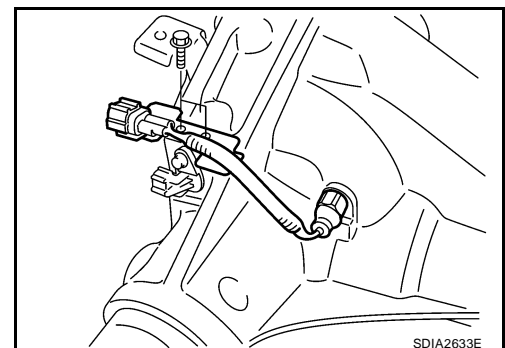
1. Apply sealant to threads of differential lock position switch.

- Use Genuine Silicone RTV or equivalent. Refer to [GI-47, "Recommended Chemical Products and Sealants"](#).

### CAUTION:

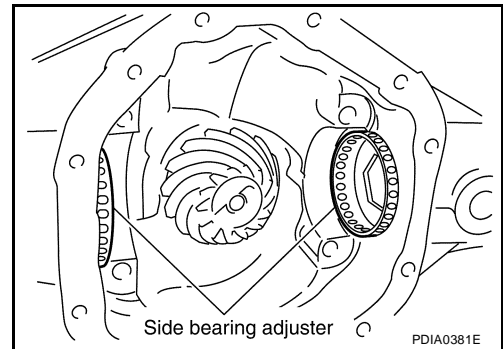
Remove old sealant adhering to gear carrier and differential lock position switch. Also remove any moisture, oil, or foreign material adhering to application and gear carrier and differential lock position switch.

2. Install differential lock position switch on gear carrier and tighten differential lock position switch bolts with the specified torque. Refer to [RFD-85, "COMPONENTS"](#).



## DIFFERENTIAL LOCK POSITION SWITCH [WITH ELECTRONIC LOCKING DIFFERENTIAL]

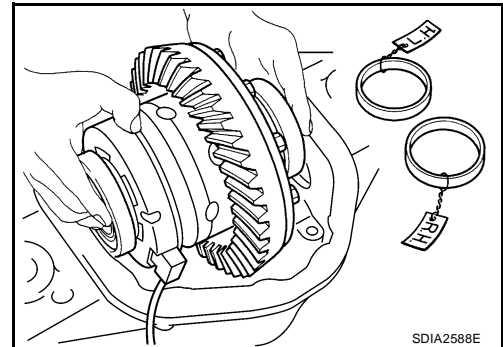
3. Install side bearing adjusters into gear carrier.



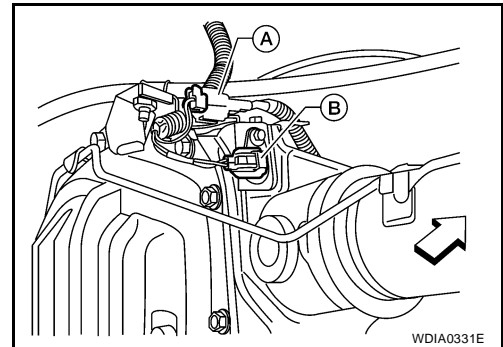
4. Apply gear oil to side bearings. Install differential case assembly with side bearing outer races into gear carrier.
5. Apply multi-purpose grease to differential lock position connector.

**CAUTION:**

**Do not reuse sensor connector.**



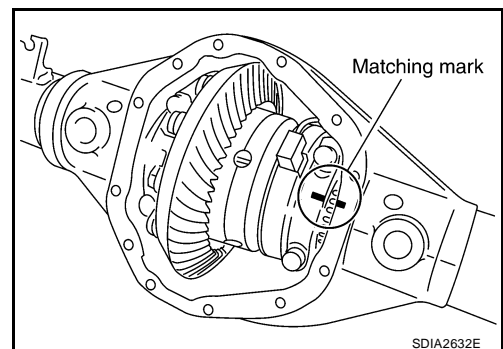
6. Connect differential lock solenoid harness (B) and differential lock position switch connector (A). Then install it to gear carrier, tighten to the specified torque. Refer to [RFD-85, "COMPONENTS"](#).



7. Align paint matching mark on side bearing caps with that on gear carrier and install side bearing caps on gear carrier without tightening to specification.

**CAUTION:**

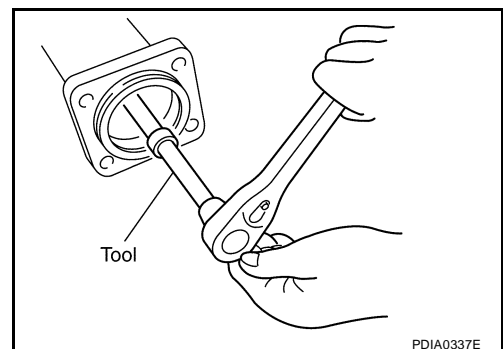
**Do not tighten at this point. This allows further tightening of side bearing adjusters.**



8. Tighten each side bearing adjusters using adjuster tool.

**Tool number** : — (C - 4164)

9. Adjusting backlash of drive gear and drive pinion. Refer to [RFD-87, "Backlash"](#).
10. Check total preload torque. Refer to [RFD-86, "Total Preload Torque"](#).
11. Check tooth contact. Refer to [RFD-86, "Tooth Contact"](#).



A  
B  
C  
RFD  
E  
F  
G  
H  
I  
J  
K  
L  
M

## DIFFERENTIAL LOCK POSITION SWITCH [WITH ELECTRONIC LOCKING DIFFERENTIAL]

12. Apply a bead of sealant to the mating surface of the carrier cover as shown.

- Use Genuine Silicone RTV or equivalent. Refer to [GI-47, "Recommended Chemical Products and Sealants"](#).

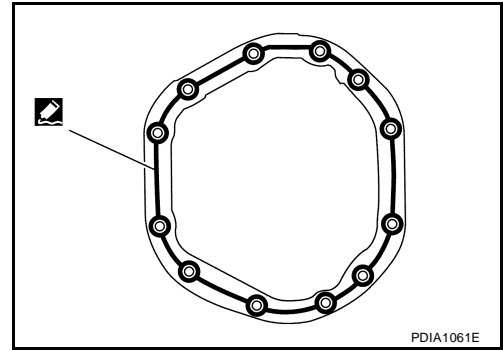
**CAUTION:**

**Remove any old sealant adhering to the mating surfaces. Also remove any moisture, oil, or foreign material adhering to the application and mating surfaces.**

13. Install the carrier cover to the gear carrier. Tighten the bolts to the specified torque. Refer to [RFD-15, "COMPONENTS"](#).
14. Installation of the remaining components is in the reverse order of removal.

**CAUTION:**

**Fill the front final drive assembly with recommended differential gear oil. Refer to [RFD-41, "DIFFERENTIAL GEAR OIL"](#).**





# FRONT OIL SEAL [WITH ELECTRONIC LOCKING DIFFERENTIAL]

PFP:38189

## FRONT OIL SEAL

### Removal and Installation REMOVAL

EDS001Q0

1. Remove rear propeller shaft. Refer to [PR-8, "Removal and Installation"](#) .
2. Remove brake calipers and rotors. Refer to [BR-31, "Removal and Installation of Brake Caliper and Disc Rotor"](#) .
3. Measure the total preload torque. Refer to [RFD-86, "Total Preload Torque"](#) .

#### NOTE:

Record the total preload torque measurement.

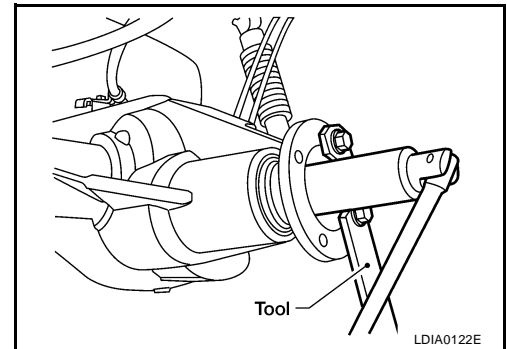
4. Remove the drive pinion nut using Tool.

**Tool number** : KV40104000 ( — )

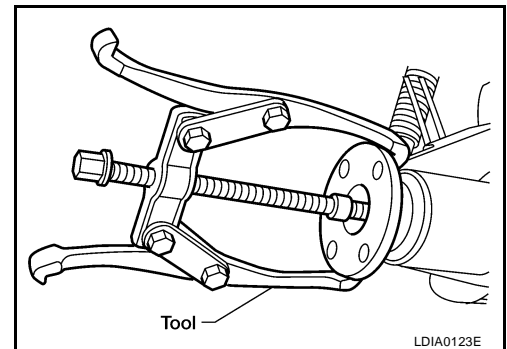
5. Put matching marks on the companion flange and drive pinion using paint.

#### CAUTION:

Use paint to make the matching marks. Do not damage the companion flange or drive pinion.

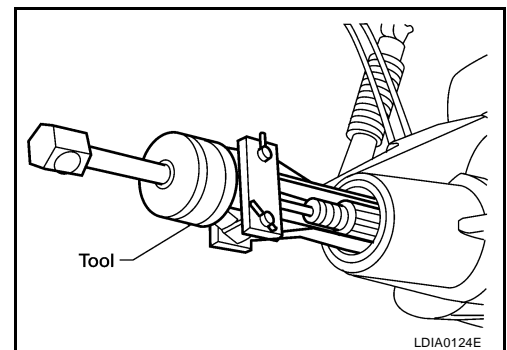


6. Remove the companion flange using suitable tool.



7. Remove the front oil seal using Tool.

**Tool number** : ST33290001 (J-34286)



A

B

C

RFD

E

F

G

H

I

J

K

L

M

# FRONT OIL SEAL

## [WITH ELECTRONIC LOCKING DIFFERENTIAL]

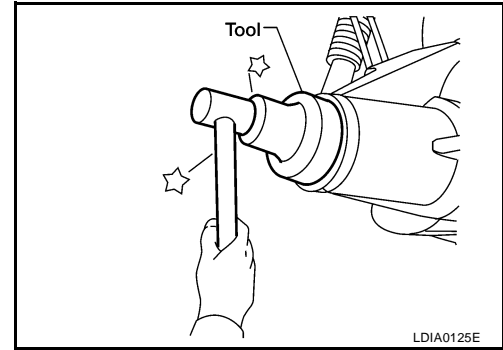
### INSTALLATION

1. Apply multi-purpose grease to the lips of the new front oil seal. Then drive the new front oil seal in evenly until it becomes flush with the gear carrier using Tool.

**Tool number** : ST15310000 ( — )

#### CAUTION:

- Do not reuse front oil seal.
- Do not incline the new front oil seal when installing.
- Apply multi-purpose grease to the lips and differential gear oil to the circumference of the new front oil seal.



2. Install the companion flange to the drive pinion while aligning the matching marks.
3. Apply anti-corrosive oil to the threads of the drive pinion and the seating surface of the new drive pinion lock nut and new drive pinion lock nut washer. Then adjust the drive pinion lock nut tightening torque using Tool A, and check the total preload torque using Tool B.

**Tool number** A: KV40104000 ( — )

B: ST3127S000 (J-25765-A)

**Total preload torque:** Refer to [RFD-86, "Total Preload Torque"](#) .

- The total preload torque should be within the total preload torque specification. When not replacing the collapsible spacer, it should also be equal to the measurement taken during removal plus an additional 0.56 N·m (0.06 Kg-m, 5 in-lb).
- If the total preload torque is low, tighten the drive pinion lock nut in 6.8 N·m (0.69 Kg-m, 5ft-lb) increments until the total preload torque is met.

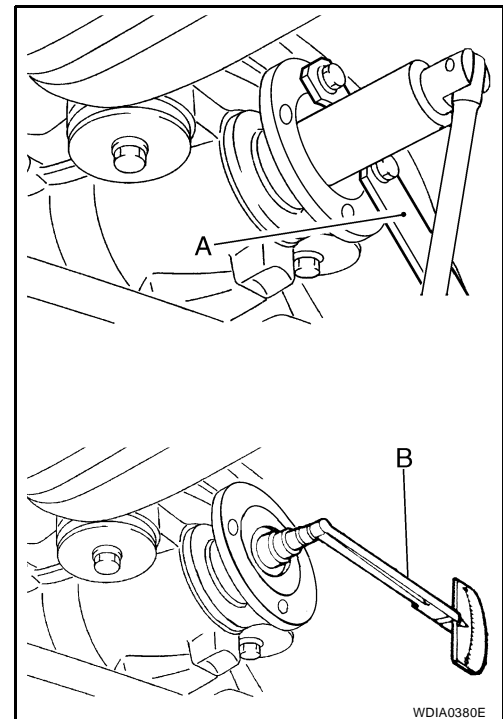
#### CAUTION:

- Do not reuse drive pinion lock nut or drive pinion lock nut washer.
- Apply anti-corrosive oil to the threads of the drive pinion and the seating surface of the new drive pinion lock nut.
- Adjust the drive pinion lock nut tightening torque to the lower limit first. Do not exceed the drive pinion lock nut specified torque. Refer to [RFD-85, "COMPONENTS"](#) .
- Do not loosen drive pinion lock nut to adjust the total preload torque. If the total preload torque exceeds the specifications, replace the collapsible spacer and tighten it again to adjust. Refer to [RFD-85, "Disassembly and Assembly"](#) .
- After adjustment, rotate drive pinion back and forth 2 to 3 times to check for unusual noise, rotation malfunction, and other malfunctions.

4. Installation of the remaining components is in the reverse order of removal.

#### CAUTION:

Check the differential gear oil level after installation. Refer to [RFD-41, "DIFFERENTIAL GEAR OIL"](#)



# CARRIER COVER [WITH ELECTRONIC LOCKING DIFFERENTIAL]

PF3:38351

## CARRIER COVER

### Removal and Installation REMOVAL

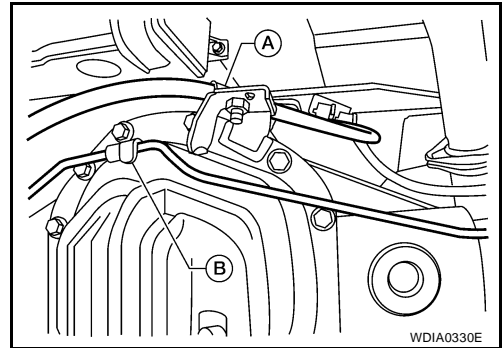
EDS0045W

1. Drain the differential gear oil. Refer to [RFD-41, "DIFFERENTIAL GEAR OIL"](#).
2. Disconnect the parking brake cable (A) and brake tube (B) from the carrier cover.
3. Remove the carrier cover bolts and separate the carrier cover from the gear carrier using Tool.

**Tool number** : KV10111100 (J-37228)

#### CAUTION:

- Do not damage the mating surface.
- Do not insert flat-bladed screwdriver, this will damage the mating surface.

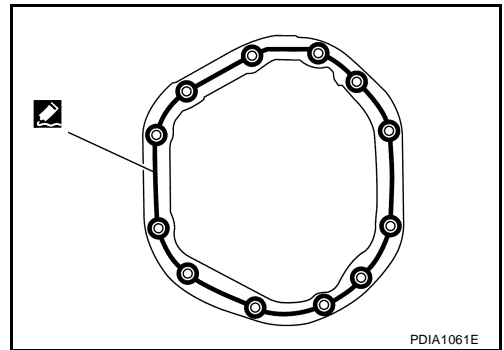


### INSTALLATION

1. Apply a bead of sealant to the mating surface of the carrier cover as shown.
  - Use Genuine Silicone RTV or equivalent. Refer to [GI-47, "Recommended Chemical Products and Sealants"](#).
2. Install the carrier cover to the gear carrier. Tighten the bolts to the specified torque. Refer to [RFD-15, "COMPONENTS"](#).
3. Connect the parking brake cable and brake tube to the carrier cover.
4. Fill the rear final drive assembly with recommended differential gear oil. Refer to [RFD-41, "DIFFERENTIAL GEAR OIL"](#).

#### CAUTION:

**Remove any old sealant adhering to the mating surfaces. Also remove any moisture, oil, or foreign material adhering to the application and mating surfaces.**



# REAR FINAL DRIVE ASSEMBLY [WITH ELECTRONIC LOCKING DIFFERENTIAL]

## REAR FINAL DRIVE ASSEMBLY

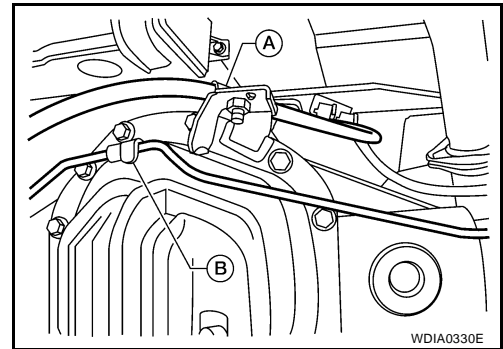
PFP:38300

### Removal and Installation REMOVAL

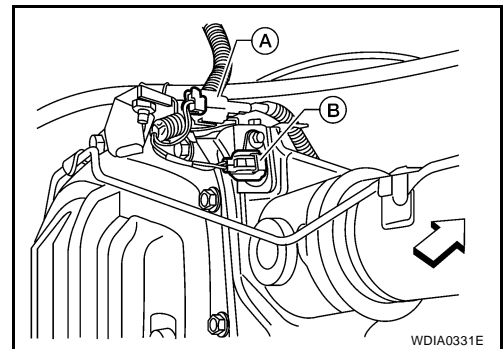
EDS001Q2

#### CAUTION:

- Do not damage spline, companion flange and front oil seal when removing propeller shaft.
  - Before removing final drive assembly or rear axle assembly, disconnect ABS sensor harness connector from the assembly and move it away from final drive/rear axle assembly area. Failure to do so may result in sensor wires being damaged and sensor becoming inoperative.
1. Drain the differential gear oil. Refer to [RFD-41, "DIFFERENTIAL GEAR OIL"](#) .
  2. Remove the rear propeller shaft. Refer to [PR-8, "Removal and Installation"](#) .
  3. Remove the axle shaft. Refer to [RAX-6, "Removal and Installation"](#) .
  4. Disconnect the following components from the rear final drive assembly.
    - Brake tube block connectors. Refer to [BR-14, "Removal and Installation of Rear Brake Piping and Brake Hose"](#) .
    - ABS sensor wire harness. Refer to [BRC-36, "Removal and Installation"](#) .
    - Parking brake cable (A).
    - Brake tube (B).



- Differential lock position switch harness connector (A).
- Differential lock solenoid harness connector (B).



5. Disconnect brake hose from brake tube at the mounting clip on top of rear final drive assembly. Then remove the metal clip to disconnect brake line from the mounting clip on top of the rear final drive assembly.
6. Support rear final drive using a suitable jack.
7. Remove rear shock absorber lower bolts. Refer to [RSU-7, "Removal and Installation"](#) .
8. Remove leaf spring U-bolt nuts. Refer to [RSU-8, "Removal and Installation"](#) .
9. Remove rear final drive assembly.

#### CAUTION:

Secure rear final drive assembly to the jack while removing it.

# REAR FINAL DRIVE ASSEMBLY [WITH ELECTRONIC LOCKING DIFFERENTIAL]

## INSTALLATION

Installation is in the reverse order of removal.

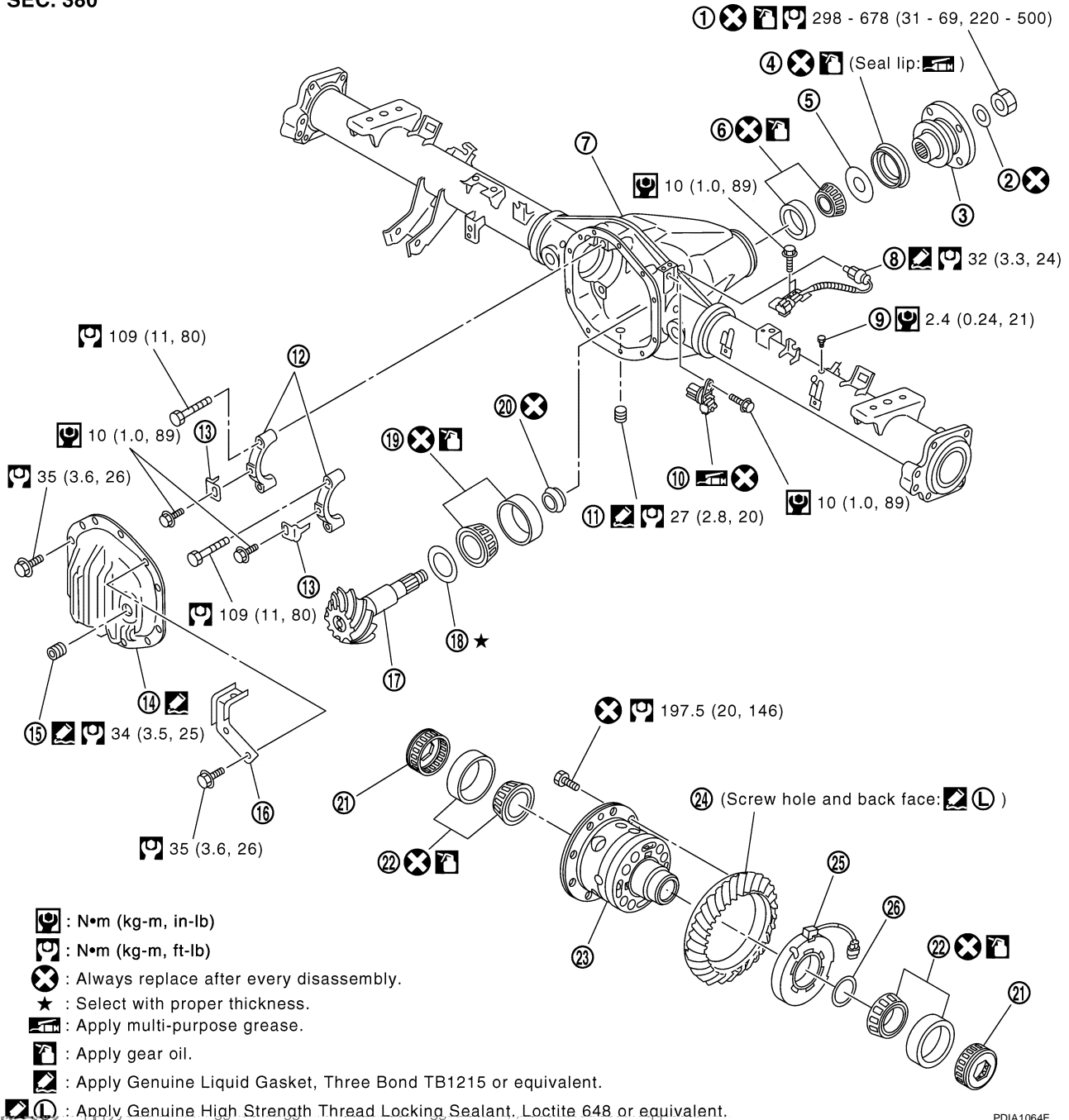
### CAUTION:

- Fill the front final drive assembly with differential gear oil after installation. Refer to [RFD-41, "DIFFERENTIAL GEAR OIL"](#).
- Bleed the air from brake system. Refer to [BR-12, "Bleeding Brake System"](#).

## Disassembly and Assembly COMPONENTS

EDS001Q3

SEC. 380



# REAR FINAL DRIVE ASSEMBLY [WITH ELECTRONIC LOCKING DIFFERENTIAL]

- |                                |                                |                                          |
|--------------------------------|--------------------------------|------------------------------------------|
| 13. Adjuster lock plate        | 14. Carrier cover              | 15. Filler plug                          |
| 16. Bracket                    | 17. Drive pinion               | 18. Drive pinion height adjusting washer |
| 19. Drive pinion rear bearing  | 20. Collapsible spacer         | 21. Side bearing adjuster                |
| 22. Side bearing               | 23. Differential case assembly | 24. Drive gear                           |
| 25. Differential lock solenoid | 26. Solenoid washer            |                                          |

## ASSEMBLY INSPECTION AND ADJUSTMENT

- Drain the differential gear oil before inspection and adjustment. Refer to [RFD-41, "DIFFERENTIAL GEAR OIL"](#).
- Remove and install the carrier cover as necessary for inspection and adjustment. Refer to [RFD-83, "CARRIER COVER"](#).

### Total Preload Torque

1. Rotate the drive pinion back and forth 2 to 3 times to check for unusual noise and rotation malfunction.
2. Rotate the drive pinion at least 20 times to check for smooth operation of the bearings.
3. Measure total preload torque using Tool.

**Tool number : ST3127S000 (J-25765-A)**

**Total preload torque:  
2.38 - 5.16 N·m (0.25 - 0.52 kg·m, 21 - 45 in·lb)**

#### NOTE:

**Total preload torque = Drive pinion bearing preload torque + Side bearing preload torque**

- If the measured value is out of the specification, check and adjust each part. Adjust the drive pinion bearing preload torque first, then adjust the side bearing preload torque.

#### If the total preload torque is greater than specification

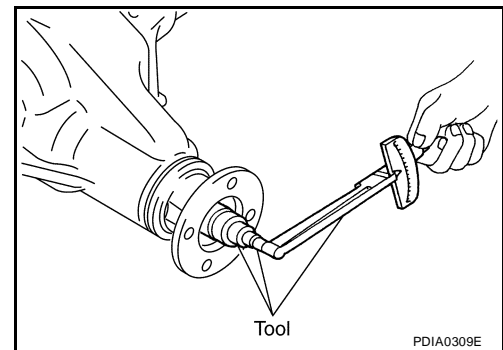
**On drive pinion bearings: Replace collapsible spacer.**

**On side bearings: Loosen side bearing adjuster.**

#### If the total preload torque is less than specification

**On drive pinion bearings: Tighten drive pinion lock nut.**

**On side bearings: Tighten side bearing adjuster.**



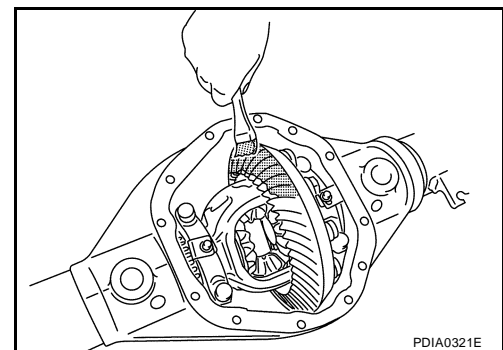
### Tooth Contact

Checking gear tooth contact pattern is necessary to verify correct relationship between drive gear and drive pinion. Gears which are not positioned in proper arrangement may be noisy and/or have a short life. Check gear tooth contact pattern to obtain the best contact for low noise and long life.

1. Thoroughly clean drive gear and drive pinion teeth.
2. Apply red lead to the drive gear.

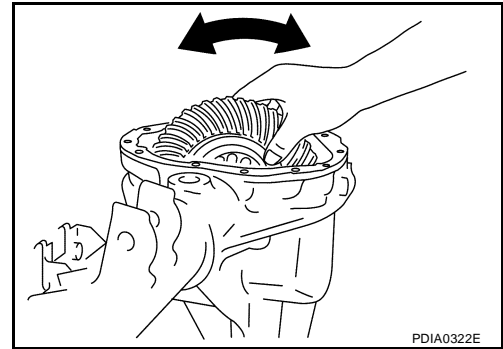
#### NOTE:

Apply red lead to both faces of three to four gears, at four locations evenly spaced on the drive gear.



# REAR FINAL DRIVE ASSEMBLY [WITH ELECTRONIC LOCKING DIFFERENTIAL]

3. Hold companion flange steady by hand and rotate drive gear in both directions.



A  
B  
C  
RFD

Usually the pattern will be correct if washers are correctly calculated and the backlash is correct. However, in rare cases, trial and error processes may be employed to obtain a correct pattern. The tooth pattern is the best indication of how well a differential has been set up.

**Heel contact**

**Face contact**

**Toe contact**

**Flank contact**

To correct, increase thickness of drive pinion height adjusting washer in order to bring drive pinion close to drive gear.

To correct, reduce thickness of drive pinion height adjusting washer in order to make drive pinion go away from drive gear.

**Correct tooth contact**

When adjustment is completed, be sure to wipe off completely the red lead and oil or their equivalent.

SDIA2591E

E  
F  
G  
H  
I  
J

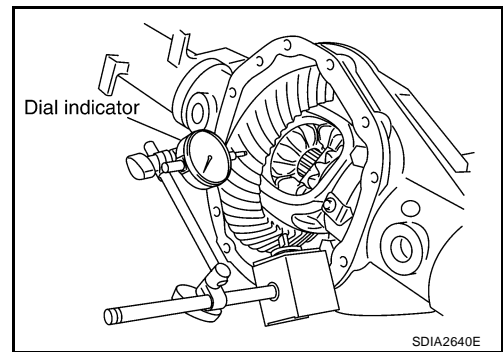
4. If outside the standard, adjust drive pinion height adjusting washer and backlash. Refer to [RFD-24, "Drive Pinion Height"](#) , [RFD-87, "Backlash"](#) .

### Backlash

1. Fit a dial indicator to the drive gear face to measure the backlash.

**Backlash:            0.08 - 0.13 mm (0.0031 - 0.0051 in)**

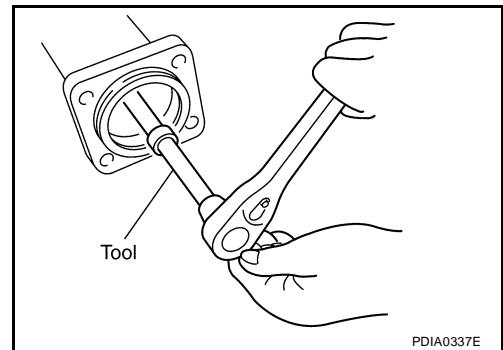
2. If the backlash is outside of the specification, adjust each side bearing side bearing adjuster.
  - a. Remove adjuster lock plate.
  - b. Loosen side bearing cap bolts.



K  
L  
M

- c. Tighten or loosen each side bearing adjusters using Tool.

**Tool number        :        —        (C - 4164)**





# REAR FINAL DRIVE ASSEMBLY [WITH ELECTRONIC LOCKING DIFFERENTIAL]

If the backlash is greater than specification:

Loosen side bearing adjuster A and tighten side bearing adjuster B by the same amount.

If the backlash is less than specification:

Loosen side bearing adjuster B and tighten side bearing adjuster A by the same amount.

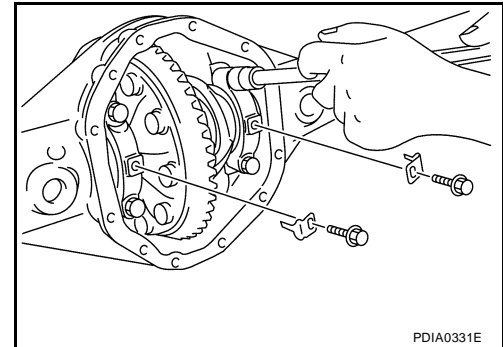
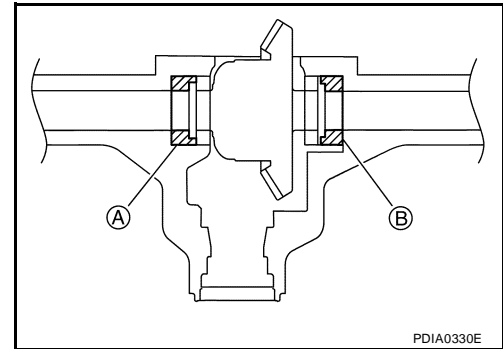
**CAUTION:**

Do not change the side bearing side bearing adjusters by different amounts as it will change the side bearing preload torque.

- d. Tighten side bearing cap bolts to the specified torque. Refer to [RFD-15, "COMPONENTS"](#).
- e. Install adjuster lock plate and tighten to the specified torque. Refer to [RFD-15, "COMPONENTS"](#).

**CAUTION:**

Check tooth contact and total preload torque after adjusting side bearing adjuster. Refer to [RFD-86, "Tooth Contact"](#) and [RFD-86, "Total Preload Torque"](#).



## Companion Flange Runout

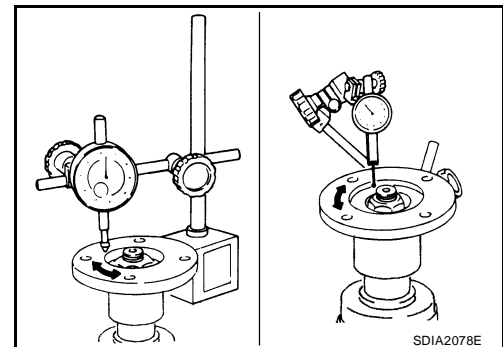
1. Rotate companion flange and check for runout on the companion flange face (inner side of the bolt holes) and companion flange inner side (socket diameter) using suitable tool.

**Runout limit**

**Companion flange face: 0.10 mm (0.0039 in)**

**Companion flange inner side: 0.13 mm (0.0051 in)**

2. If the runout is outside the runout limit, follow the procedure below to adjust.
  - a. Rotate the companion flange on the drive pinion by 90°, 180° and 270° while checking for the position where the runout is minimum.
  - b. If the runout is still outside of the runout limit after the companion flange has been rotated on the drive pinion, possible cause could be an assembly malfunction of drive pinion and drive pinion bearing or a malfunctioning drive pinion bearing.
  - c. If the runout is still outside of the runout limit after repair of the assembly of drive pinion and drive pinion bearing or drive pinion bearing, replace the companion flange.





# REAR FINAL DRIVE ASSEMBLY [WITH ELECTRONIC LOCKING DIFFERENTIAL]

## DISASSEMBLY

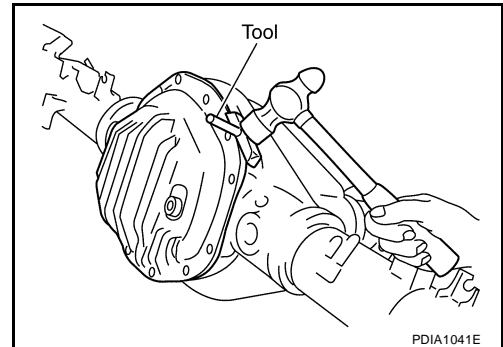
### Differential Assembly

1. Remove carrier cover bolts.
2. Remove carrier cover using Tool.

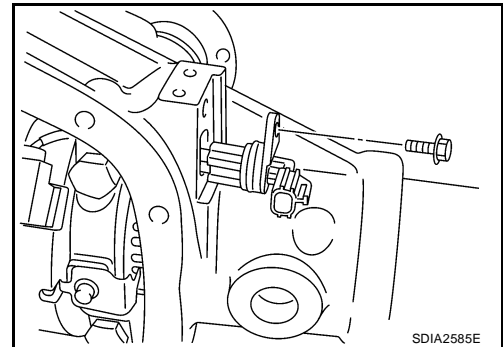
**Tool number** : KV10111100 (J-37228)

#### CAUTION:

- Do not damage the mating surface.
- Do not insert flat-bladed screwdriver, this will damage the mating surface.



3. Remove differential sensor connector bolts and differential lock solenoid connector.

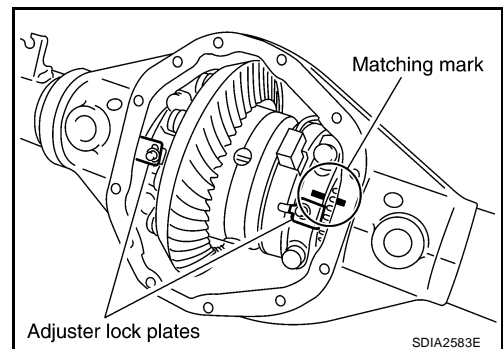


4. For proper reinstallation, paint matching mark on one side of side bearing cap.

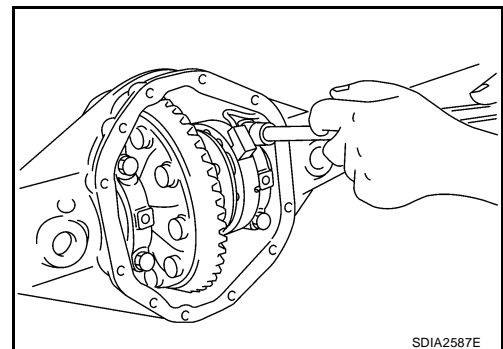
#### CAUTION:

- Side bearing caps are line-board for initial assembly. The matching marks are used to reinstall them in their original positions.
- For matching mark, use paint. Do not damage side bearing cap.

5. Remove adjuster lock plates.



6. Remove side bearing caps.

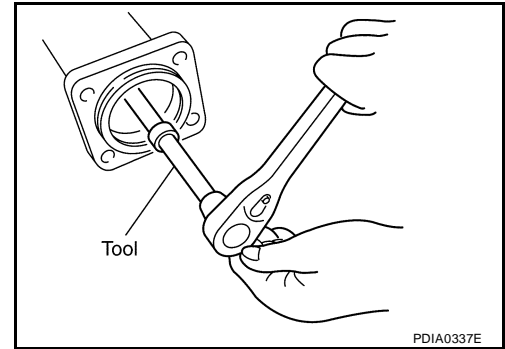


A  
B  
C  
RFD  
E  
F  
G  
H  
I  
J  
K  
L  
M

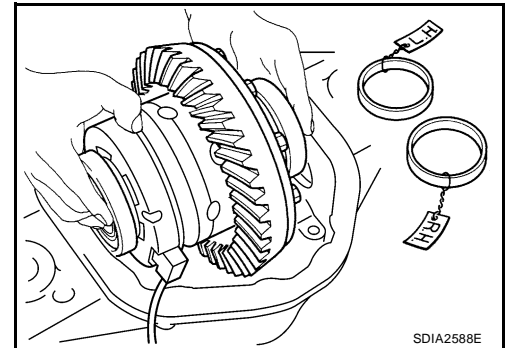
# REAR FINAL DRIVE ASSEMBLY [WITH ELECTRONIC LOCKING DIFFERENTIAL]

7. Remove side bearing adjusters using Tool.

Tool number : — (C - 4164)



8. Keep side bearing outer races together with inner races. Do not mix them up. Also, keep side bearing adjusters together with bearing.  
9. Remove side bearing adjusters from gear carrier.



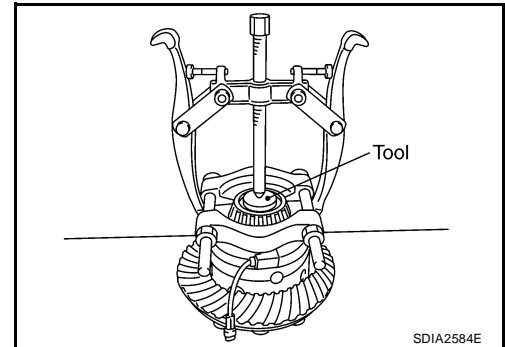
10. Remove bracket of differential lock position switch connector and bolts.  
11. Remove differential lock position switch.  
12. Remove side bearing inner race and washer using Tool.

Tool number : ST33081000 ( — )

**CAUTION:**

**Do not damage differential case assembly and differential lock solenoid.**

13. Remove differential lock solenoid and solenoid washer.

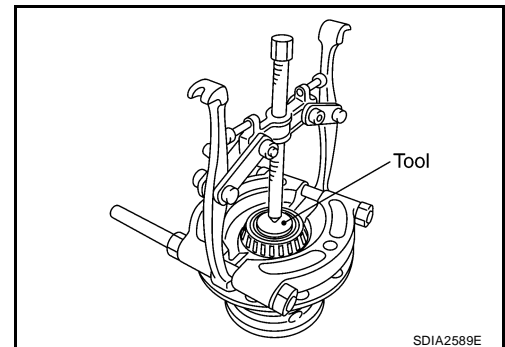


14. Remove side bearing inner race using Tool.

Tool number : ST33081000 ( — )

**CAUTION:**

**Do not damage differential case assembly.**



## REAR FINAL DRIVE ASSEMBLY [WITH ELECTRONIC LOCKING DIFFERENTIAL]

15. For proper reinstallation, paint matching mark on differential case and drive gear.

**CAUTION:**

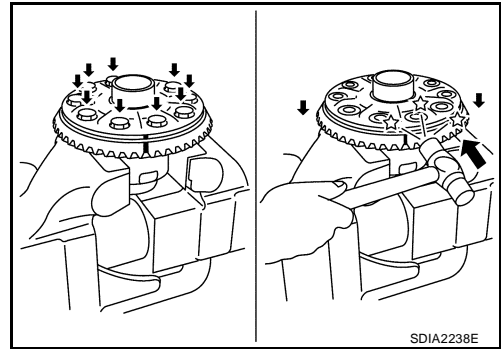
**Use paint for matching marks. Do not damage differential case or drive gear.**

16. Remove drive gear bolts.

17. Tap the drive gear off the differential case using suitable tool.

**CAUTION:**

**Tap evenly all around to keep drive gear from binding.**



### Drive Pinion Assembly

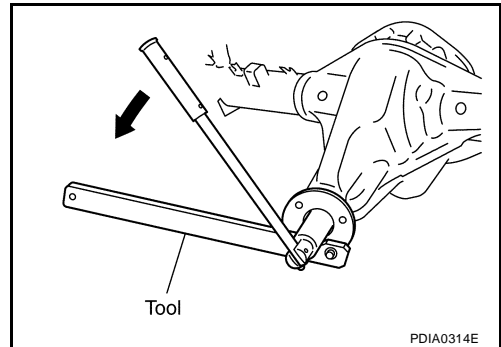
1. Remove differential case assembly. Refer to [RFD-89, "Differential Assembly"](#).
2. Remove drive pinion lock nut and washer using Tool.

**Tool number** : KV40104000 ( — )

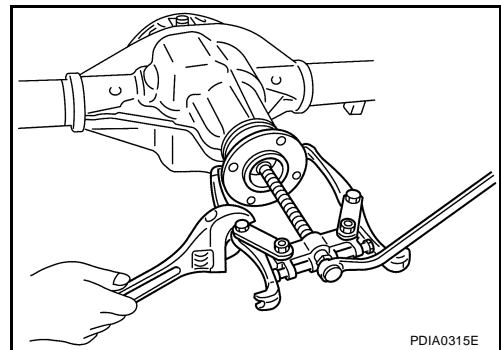
3. Put matching marks on the companion flange and drive pinion using paint.

**CAUTION:**

**Use paint to make the matching marks. Do not damage the companion flange or drive pinion.**



4. Remove companion flange using a suitable tool.



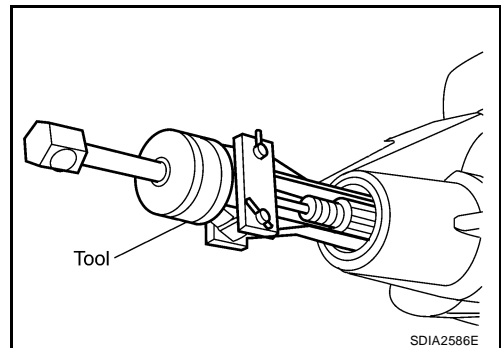
5. Remove front oil seal using Tool.

**Tool number** : ST33290001 (J-34286)

**CAUTION:**

**Do not damage gear carrier.**

6. Remove drive pinion front bearing thrust washer.



A  
B  
C  
RFD

E  
F  
G  
H  
I  
J  
K  
L  
M

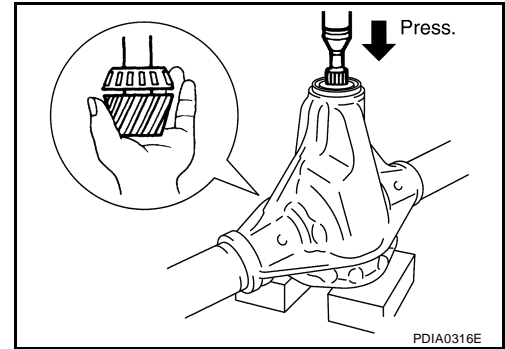
## REAR FINAL DRIVE ASSEMBLY [WITH ELECTRONIC LOCKING DIFFERENTIAL]

7. Remove drive pinion assembly (with rear inner bearing race and collapsible spacer) out of gear carrier.

**CAUTION:**

**Do not drop drive pinion assembly.**

8. Remove drive pinion front bearing inner race from gear carrier.



9. Tap drive pinion front bearing outer race uniformly with a brass bar or equivalent to remove.

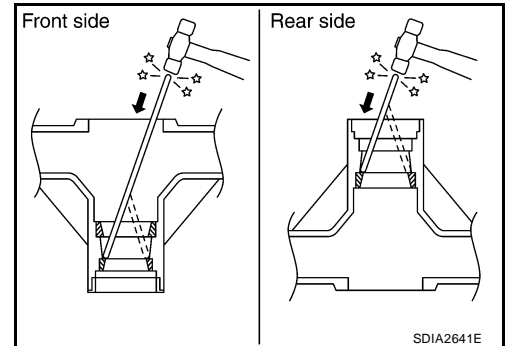
**CAUTION:**

**Do not damage gear carrier.**

10. Tap drive pinion rear bearing outer race uniformly with a brass bar or equivalent for removal.

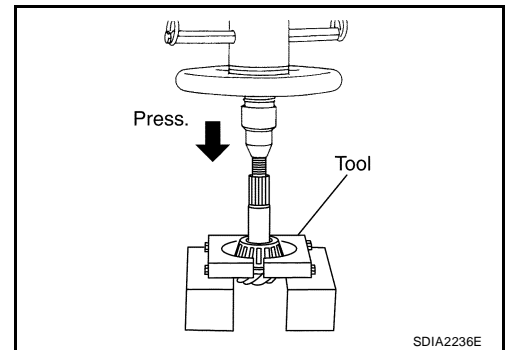
**CAUTION:**

**Do not damage gear carrier.**



11. Remove drive pinion rear bearing inner race and drive pinion height adjusting washer using Tool.

**Tool number : ST30021000 (J-22912-01)**



# REAR FINAL DRIVE ASSEMBLY

## [WITH ELECTRONIC LOCKING DIFFERENTIAL]

### INSPECTION AFTER DISASSEMBLY

#### Drive Pinion and Drive Gear

- If the gear teeth do not mesh or line-up correctly, determine the cause and adjust, repair, or replace as necessary.
- If the gears are worn, cracked, damaged, pitted or chipped (by friction) noticeably, replace with new gears.
- Drive gear and drive pinion are supplied in matched sets only. Matching numbers on both drive pinion and drive gear are etched for verification. If a new gear set is being used, verify the numbers of each pinion gear and drive gear before proceeding with assembly.

#### Bearing

- If found any chipped (by friction), pitted, worn, rusted, scratched mark, or unusual noise from the bearing, replace with new bearing assembly (as a new set).
- Bearing must be replaced with a new one whenever disassembled.

#### Differential Case Assembly

- If the gears are worn, cracked, damaged, pitted or chipped (by friction) noticeably, replace with new differential case assembly.
- If the movement is not smooth when pushing cam ring of differential case assembly with a hand.

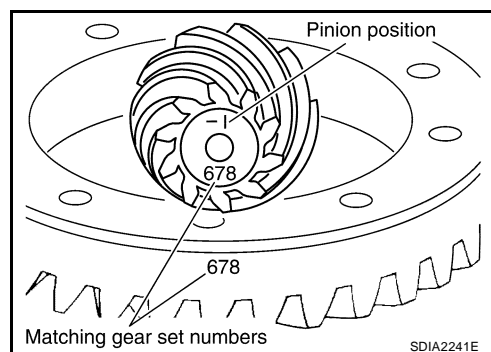
#### Differential Lock Solenoid

- If the operating part of differential lock solenoid is not smooth, perform component inspection. Refer to [RFD-68, "COMPONENT INSPECTION"](#).

### SELECTION ADJUSTING WASHERS

#### Drive Pinion Height

- Drive gear and drive pinion are supplied in matched sets only. Matching numbers on both drive pinion and drive gear are etched for verification. If a new gear set is being used, verify the numbers of each drive pinion and drive gear before proceeding with assembly.



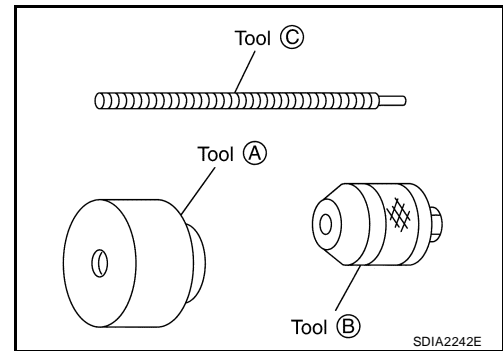
- The mounting distance from the center line of drive gear to the back face of drive pinion for the Model 226 final drive assembly is 109.5 mm (4.312 in). On the button end of each drive pinion, there is etched a plus (+) number, a minus (-) number, or a zero (0), which indicates the best running position for each particular gear set. This dimension is controlled by a selective drive pinion height adjusting washer between drive pinion inner bearing race and drive pinion. For example: If a drive pinion is etched m+8 (+3), it would require 0.08 mm (0.003 in) less drive pinion height adjusting washer than a drive pinion etched "0". This means decreasing drive pinion height adjusting washer thickness; increases the mounting distance of drive pinion to 109.6 mm (4.315 in). If a drive pinion is etched m-8 (-3), it would require adding 0.08 mm (0.003 in) more to drive pinion height adjusting washer than would be required if drive pinion were etched "0". By adding 0.08 mm (0.003 in), the mounting distance of drive pinion was decreased to 109.4 mm (4.309 in) which is just what m-8 (-3) etching indicated.
- To change drive pinion adjustment, use different drive pinion height adjusting washers which come in different thickness.
- Use the following tables as a guide for selecting the correct drive pinion height adjusting washer thickness to add or subtract from the old drive pinion height adjusting washer.

# REAR FINAL DRIVE ASSEMBLY [WITH ELECTRONIC LOCKING DIFFERENTIAL]

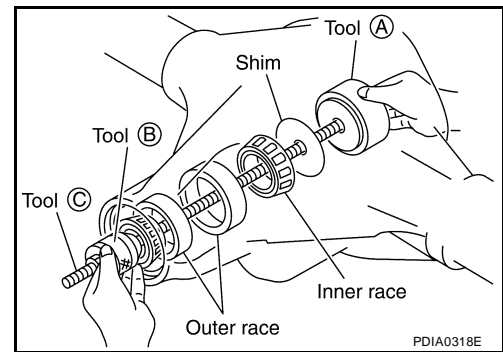
OLD DRIVE PINION MARKING	NEW DRIVE PINION MARKING mm (in)								
	-10 (-4)	-8 (-3)	-5 (-2)	-3 (-1)	0 (0)	+3 (+1)	+5 (+2)	+8 (+3)	+10 (+4)
+10 (+4)	+0.20 (+0.008)	+0.18 (+0.007)	+0.15 (+0.006)	+0.13 (+0.005)	+0.10 (+0.004)	+0.08 (+0.003)	+0.05 (+0.002)	+0.02 (+0.001)	0 (0)
+8 (+3)	+0.18 (+0.007)	+0.15 (+0.006)	+0.13 (+0.005)	+0.10 (+0.004)	+0.08 (+0.003)	+0.05 (+0.002)	+0.02 (+0.001)	0 (0)	-0.02 (-0.001)
+5 (+2)	+0.15 (+0.006)	+0.13 (+0.005)	+0.10 (+0.004)	+0.08 (+0.003)	+0.05 (+0.002)	+0.02 (+0.001)	0 (0)	-0.02 (-0.001)	-0.05 (-0.002)
+3 (+1)	+0.13 (+0.005)	+0.10 (+0.004)	+0.08 (+0.003)	+0.05 (+0.002)	+0.02 (+0.001)	0 (0)	-0.02 (-0.001)	-0.05 (-0.002)	-0.08 (-0.003)
0 (0)	+0.10 (+0.004)	+0.08 (+0.003)	+0.05 (+0.002)	+0.02 (+0.001)	0 (0)	-0.02 (-0.001)	-0.05 (-0.002)	-0.08 (-0.003)	-0.10 (-0.004)
-3 (-1)	+0.08 (+0.003)	+0.05 (+0.002)	+0.02 (+0.001)	0 (0)	-0.02 (-0.001)	-0.05 (-0.002)	-0.08 (-0.003)	-0.10 (-0.004)	-0.13 (-0.005)
-5 (-2)	+0.05 (+0.002)	+0.02 (+0.001)	0 (0)	-0.02 (-0.001)	-0.05 (-0.002)	-0.08 (-0.003)	-0.10 (-0.004)	-0.13 (-0.005)	-0.15 (-0.006)
-8 (-3)	+0.02 (+0.001)	0 (0)	-0.02 (-0.001)	-0.05 (-0.002)	-0.08 (-0.003)	-0.10 (-0.004)	-0.13 (-0.005)	-0.15 (-0.006)	-0.18 (-0.007)
-10 (-4)	0 (0)	-0.02 (-0.001)	-0.05 (-0.002)	-0.08 (-0.003)	-0.10 (-0.004)	-0.13 (-0.005)	-0.15 (-0.006)	-0.18 (-0.007)	-0.20 (-0.008)

1. Make sure all parts are clean and that drive pinion bearings are well lubricated.
2. Assemble drive pinion bearings into the tools.

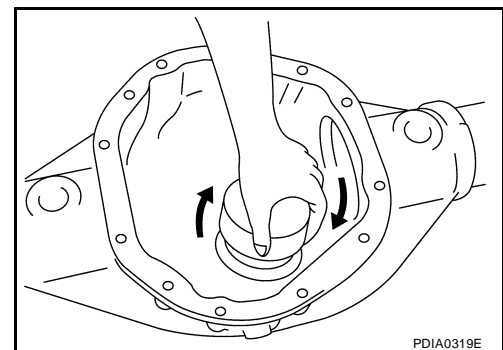
**Tool number**      **A:** —      **(8144)**  
                                 **B:** —      **(6740)**  
                                 **C:** —      **(6741)**



3. Install drive pinion bearing inner race and drive pinion height adjusting washer to gear carrier using tool as shown.



4. Turn the assembly several times to seat drive pinion bearings.



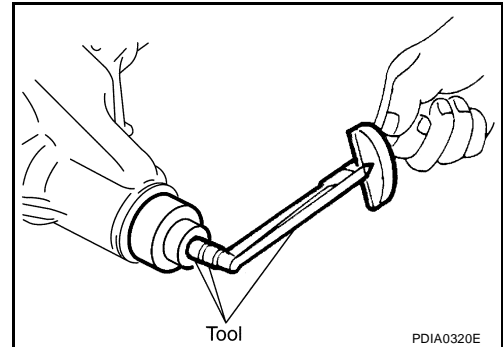
# REAR FINAL DRIVE ASSEMBLY [WITH ELECTRONIC LOCKING DIFFERENTIAL]

5. Measure the turning torque, using Tool.

**Tool number** : ST3127S000 (J-25765-A)

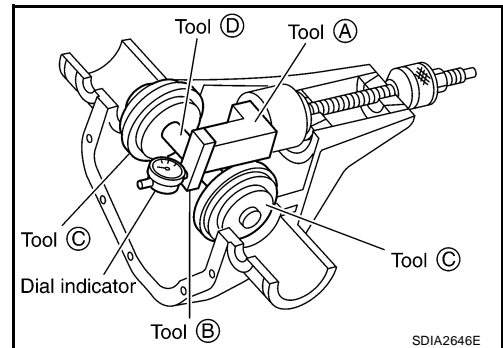
**Turning torque specification:**

1.2 - 2.8 N-m (0.13 - 0.28 kg-m, 11 - 24 in-lb)

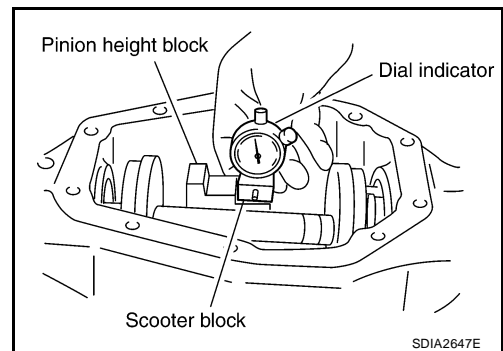


6. Tighten side bearing caps to the specified torque installing tools as shown.

**Tool number**      **A:** — (6739)  
                           **B:** — (D-115-2)  
                           **C:** — TBD  
                           **D:** — (D-115-3)



7. Put scooter block on pinion height block. Make sure that dial indicator is level adjusting pressure with a hand. Dial indicator indicates "0".
8. Slide dial indicator along arbor. Record the maximum.
9. Adjust drive pinion height adjusting washer so that the maximum will be "0".



## ASSEMBLY

### Drive Pinion Assembly

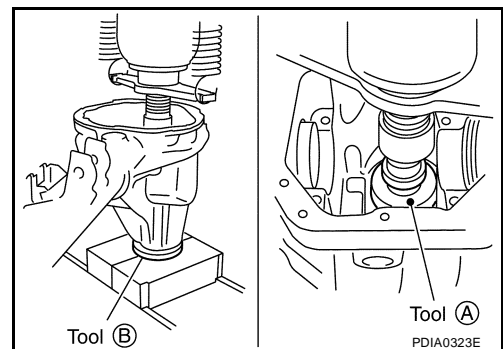
1. Press a drive pinion rear bearing outer race into gear carrier using Tool.

**Tool number**      **A:** ST01500001 ( — )

**B:** ST30022000 ( — )

**CAUTION:**

**Do not reuse drive pinion rear bearing.**



A  
B  
C  
RFD  
E  
F  
G  
H  
I  
J  
K  
L  
M

## REAR FINAL DRIVE ASSEMBLY [WITH ELECTRONIC LOCKING DIFFERENTIAL]

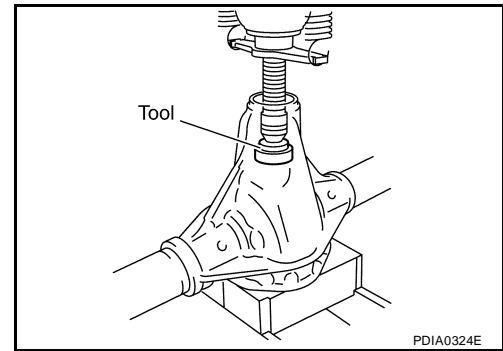
2. Press a drive pinion front bearing outer race into gear carrier using Tool.

**Tool number** : ST33022000 ( — )

**CAUTION:**

**Do not reuse drive pinion front bearing.**

3. Select drive pinion height adjusting washer. Refer to [RFD-93, "Drive Pinion Height"](#) .



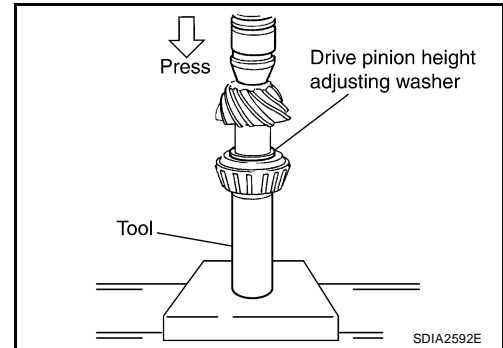
4. Press a drive pinion rear bearing inner race and drive pinion height adjusting washer to drive pinion, using Tool.

**Tool number** : — (C - 4040)

**CAUTION:**

**Do not reuse drive pinion rear bearing.**

5. Apply gear oil to drive pinion rear bearing and drive pinion front bearing.  
6. Install drive pinion front bearing inner race in gear carrier.  
7. Install drive pinion front bearing thrust washer to gear carrier.

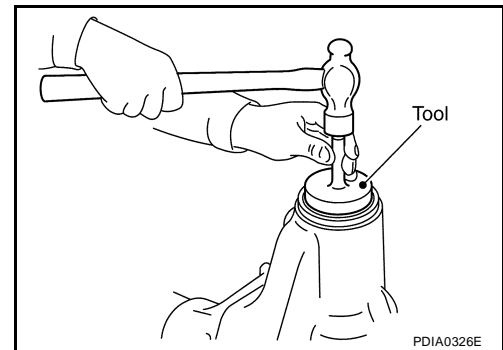


8. Apply multi-purpose grease to front oil seal lip. Install front oil seal into gear carrier using Tool.

**Tool number** : ST15310000 ( — )

**CAUTION:**

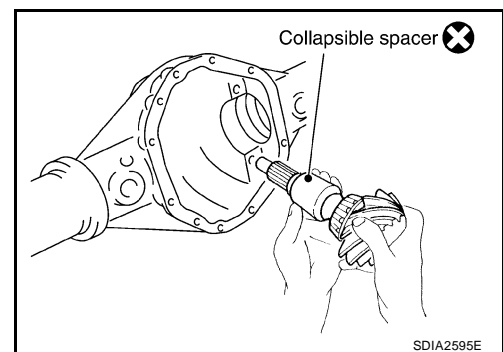
- Do not reuse front oil seal.
- Do not incline the new front oil seal when installing.
- Apply multi-purpose grease to the lips of the new front oil seal.



9. Install collapsible spacer to drive pinion. And then install drive pinion assembly in gear carrier.

**CAUTION:**

- Do not reuse collapsible spacer.
- Do not damage front oil seal.



10. Install the companion flange to the drive pinion while aligning the matching marks.

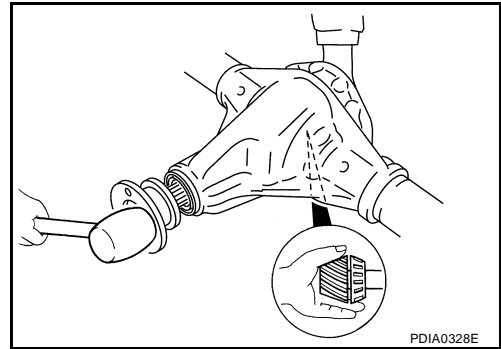


## REAR FINAL DRIVE ASSEMBLY [WITH ELECTRONIC LOCKING DIFFERENTIAL]

11. Install the companion flange onto the drive pinion while aligning the matching marks. Then tap the companion flange using suitable tool.

**CAUTION:**

**Do not damage companion flange or front oil seal.**



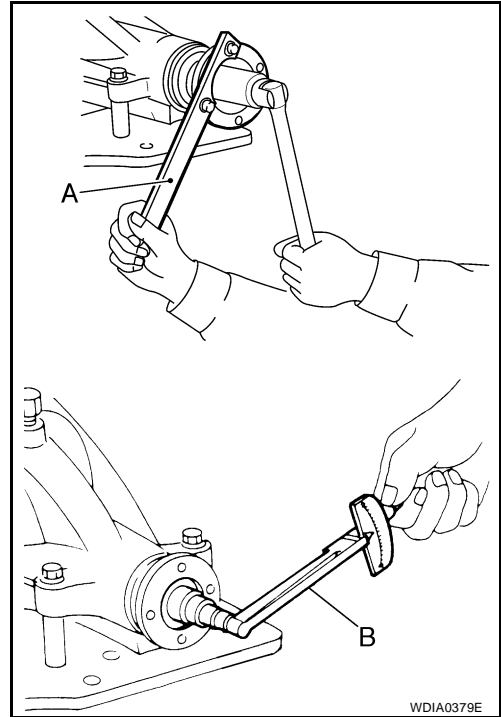
12. Apply anti-corrosive oil to the threads of the drive pinion and the seating surface of the new drive pinion lock nut and new drive pinion lock nut washer. Then adjust the drive pinion lock nut tightening torque using Tool A, and check the drive pinion bearing preload torque using Tool B.

**Tool number**    **A:** KV40104000 ( — )  
                           **B:** ST3127S000 (J-25765-A)

**Drive pinion bearing preload torque:**  
                           **1.7 - 3.8 N·m (0.18 - 0.38 kg·m, 15 - 33 in·lb)**

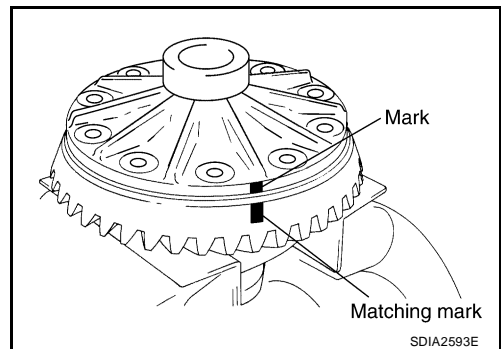
**CAUTION:**

- Do not reuse drive pinion lock nut or drive pinion lock nut washer.
- Apply anti-corrosive oil to the threads of the drive pinion and the seating surface of the new drive pinion lock nut.
- Adjust the drive pinion lock nut tightening torque to the lower limit first. Do not exceed the drive pinion lock nut specified torque. Refer to **RFD-85, "COMPONENTS"**.
- If the drive pinion bearing preload torque exceeds the specified value, replace collapsible spacer and tighten it again to adjust. Do not loosen drive pinion lock nut to adjust the drive pinion bearing preload torque.
- After adjustment, rotate drive pinion back and forth 2 to 3 times to check for unusual noise, rotation malfunction, and other malfunctions.



### Differential Assembly

1. Align the matching mark of differential case assembly with the mark of drive gear, then install drive gear.



A  
B  
C  
RFD  
E  
F  
G  
H  
I  
J  
K  
L  
M

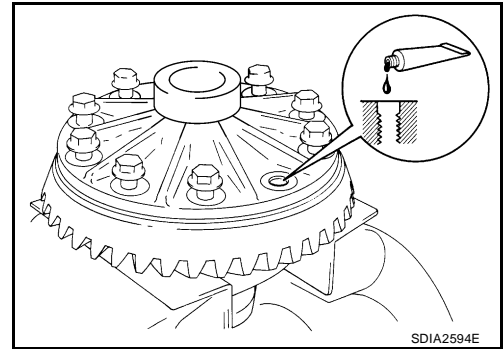
## REAR FINAL DRIVE ASSEMBLY [WITH ELECTRONIC LOCKING DIFFERENTIAL]

2. Apply thread locking sealant into the threaded holes of the drive gear and install the bolts.

- Use Genuine Medium Strength Thread Locking Sealant or equivalent. Refer to [GI-47, "Recommended Chemical Products and Sealants"](#).

**CAUTION:**

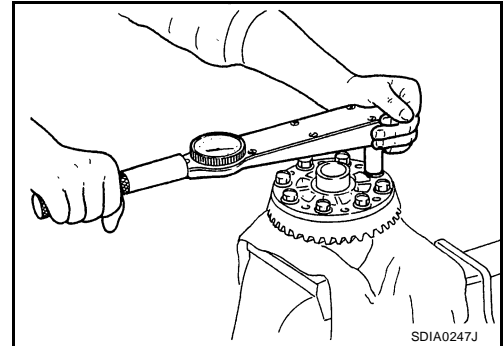
Make sure the drive gear back and threaded holes are clean.



3. Install new drive gear bolts, and then tighten to the specified torque. Refer to [RFD-85, "COMPONENTS"](#).

**CAUTION:**

- Do not reuse the bolts.
- Tighten bolts in a crisscross fashion.

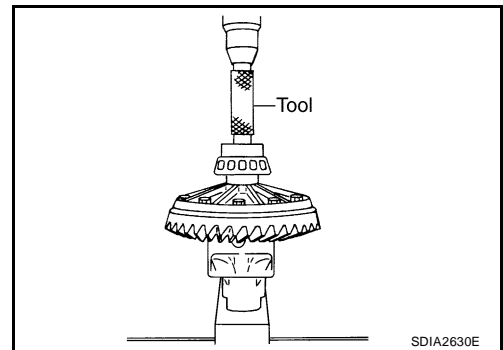


4. Press side bearing inner races to differential case assembly using Tool.

Tool number : ST33081000 ( — )

**CAUTION:**

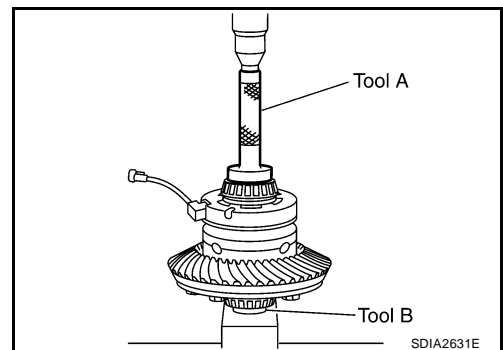
Do not reuse side bearing.



5. Install differential lock solenoid and washer.  
6. Press side bearing inner races to differential case assembly using Tool.

Tool number A: KV38100300 (J-25523)

B: ST33081000 ( — )



7. Apply sealant to threads of differential lock position switch.

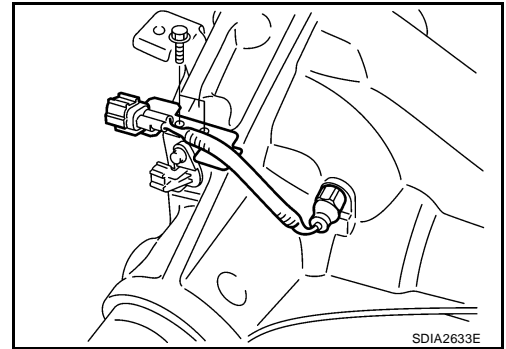
- Use Genuine Silicone RTV or equivalent. Refer to [GI-47, "Recommended Chemical Products and Sealants"](#).

**CAUTION:**

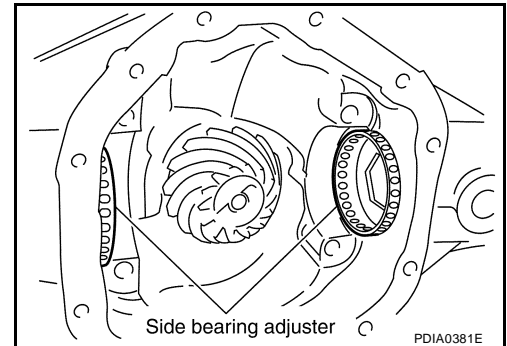
Remove old sealant adhering to gear carrier and differential lock position switch. Also remove any moisture, oil, or foreign material adhering to application and gear carrier and differential lock position switch.

## REAR FINAL DRIVE ASSEMBLY [WITH ELECTRONIC LOCKING DIFFERENTIAL]

8. Install differential lock position switch on gear carrier and tighten differential lock position switch bolts with the specified torque. Refer to [RFD-85, "COMPONENTS"](#).



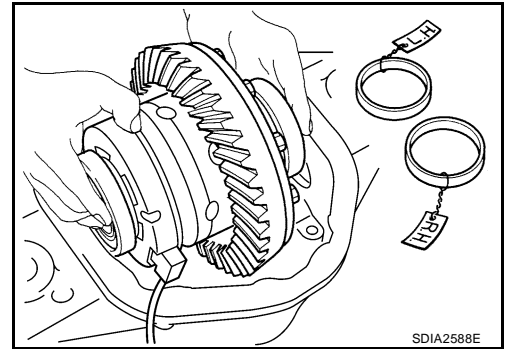
9. Install side bearing adjusters into gear carrier.



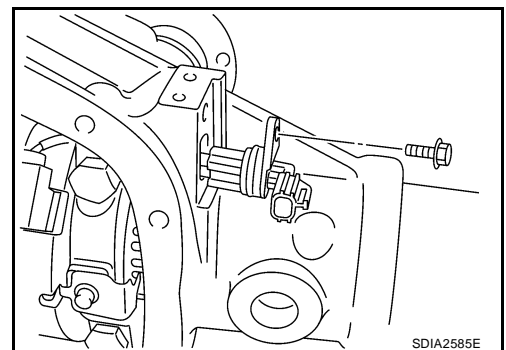
10. Apply gear oil to side bearings. Install differential case assembly with side bearing outer races into gear carrier.
11. Apply multi-purpose grease to sensor connector.

**CAUTION:**

**Do not reuse sensor connector.**



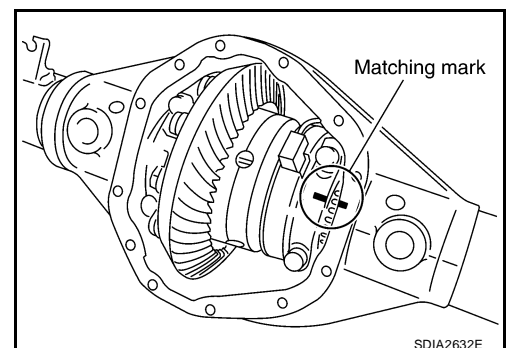
12. Connect differential lock solenoid harness and sensor connector. Then install it to gear carrier, tighten to the specified torque. Refer to [RFD-85, "COMPONENTS"](#).



13. Align paint matching mark on side bearing caps with that on gear carrier and install side bearing caps on gear carrier.

**CAUTION:**

**Do not tighten at this point. This allows further tightening of side bearing adjusters.**



## REAR FINAL DRIVE ASSEMBLY [WITH ELECTRONIC LOCKING DIFFERENTIAL]

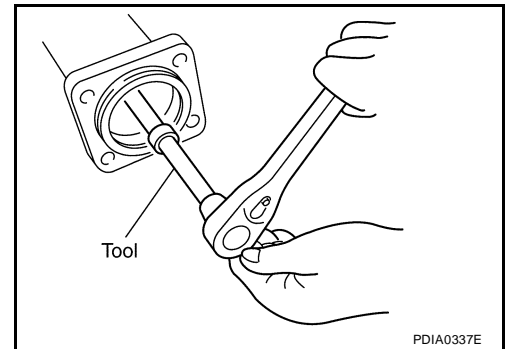
14. Tighten each side bearing adjusters using adjuster tool.

**Tool number** : — (C - 4164)

15. Adjusting backlash of drive gear and drive pinion. Refer to [RFD-87, "Backlash"](#) .

16. Check total preload. Refer to [RFD-86, "Total Preload Torque"](#) .

17. Check tooth contact. Refer to [RFD-86, "Tooth Contact"](#) .



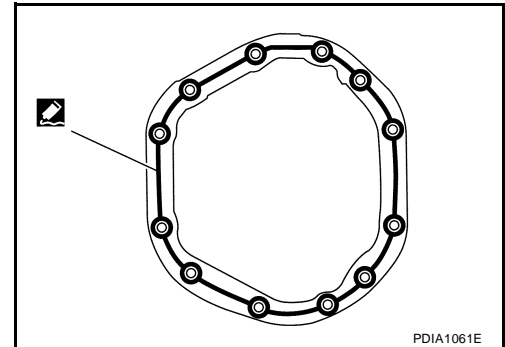
18. Apply a bead of sealant to the mating surface of the carrier cover as shown.

- Use Genuine Silicone RTV or equivalent. Refer to [GI-47, "Recommended Chemical Products and Sealants"](#) .

**CAUTION:**

**Remove any old sealant adhering to the mating surfaces. Also remove any moisture, oil, or foreign material adhering to the application and mating surfaces.**

19. Install the carrier cover to the gear carrier. Tighten the bolts to the specified torque. Refer to [RFD-15, "COMPONENTS"](#) .



**SERVICE DATA AND SPECIFICATIONS (SDS)  
[WITH ELECTRONIC LOCKING DIFFERENTIAL]**

**SERVICE DATA AND SPECIFICATIONS (SDS)**

PF0:00030

**General Specifications**

EDS001Q4

Engine	VK56DE
Transmission	5A/T
Final drive model	M226
Gear ratio	3.357
Number of pinion gears	2
Number of teeth (Drive gear / drive pinion)	47/14
Oil capacity (Approx.)	2.01 ℓ (4-1/4 US pt, 3-1/2 Imp pt)
Drive pinion adjustment spacer type	Collapsible

**Inspection and Adjustment  
PRELOAD TORQUE**

EDS001Q5

Unit: N·m (kg·m, in·lb)

Item	Specification
Drive pinion bearing preload torque	1.7 - 3.8 (0.18 - 0.38, 15 - 33)
Total preload torque (Total preload torque = drive pinion bearing preload torque + Side bearing preload torque)	2.38 - 5.16 (0.25 - 0.52, 21 - 45)

**BACKLASH**

Unit: mm (in)

Item	Standard
Drive gear to drive pinion gear	0.08 - 0.13 (0.0031 - 0.0051)

**COMPANION FLANGE RUNOUT**

Unit: mm (in)

Item	Runout limit
Companion flange face	0.10 (0.0039) or less
Companion flange inner side	0.13 (0.0051) or less

**SELECTIVE PARTS**

**Drive Pinion Height Adjusting Washer**

Unit: mm (in)

Thickness	Package part number*
0.076 (0.030) 0.079 (0.031) 0.081 (0.032) 0.084 (0.033) 0.086 (0.034)	38151 8S101
0.089 (0.035) 0.091 (0.036) 0.094 (0.037) 0.097 (0.038) 0.099 (0.039)	38151 8S102
0.102 (0.040) 0.104 (0.041) 0.107 (0.042) 0.109 (0.043) 0.112 (0.044)	38151 8S103

**SERVICE DATA AND SPECIFICATIONS (SDS)**  
**[WITH ELECTRONIC LOCKING DIFFERENTIAL]**

Thickness	Package part number*
0.114 (0.045) 0.117 (0.046) 0.119 (0.047) 0.122 (0.048) 0.124 (0.049)	38151 8S104
0.127 (0.050) 0.130 (0.051) 0.132 (0.052) 0.135 (0.053) 0.137 (0.054)	38151 8S105

\*Always check with the Parts Department for the latest parts information.