

FRONT AXLE & FRONT SUSPENSION

EF &
EC

AT

FA

BR

BF

HA

EL

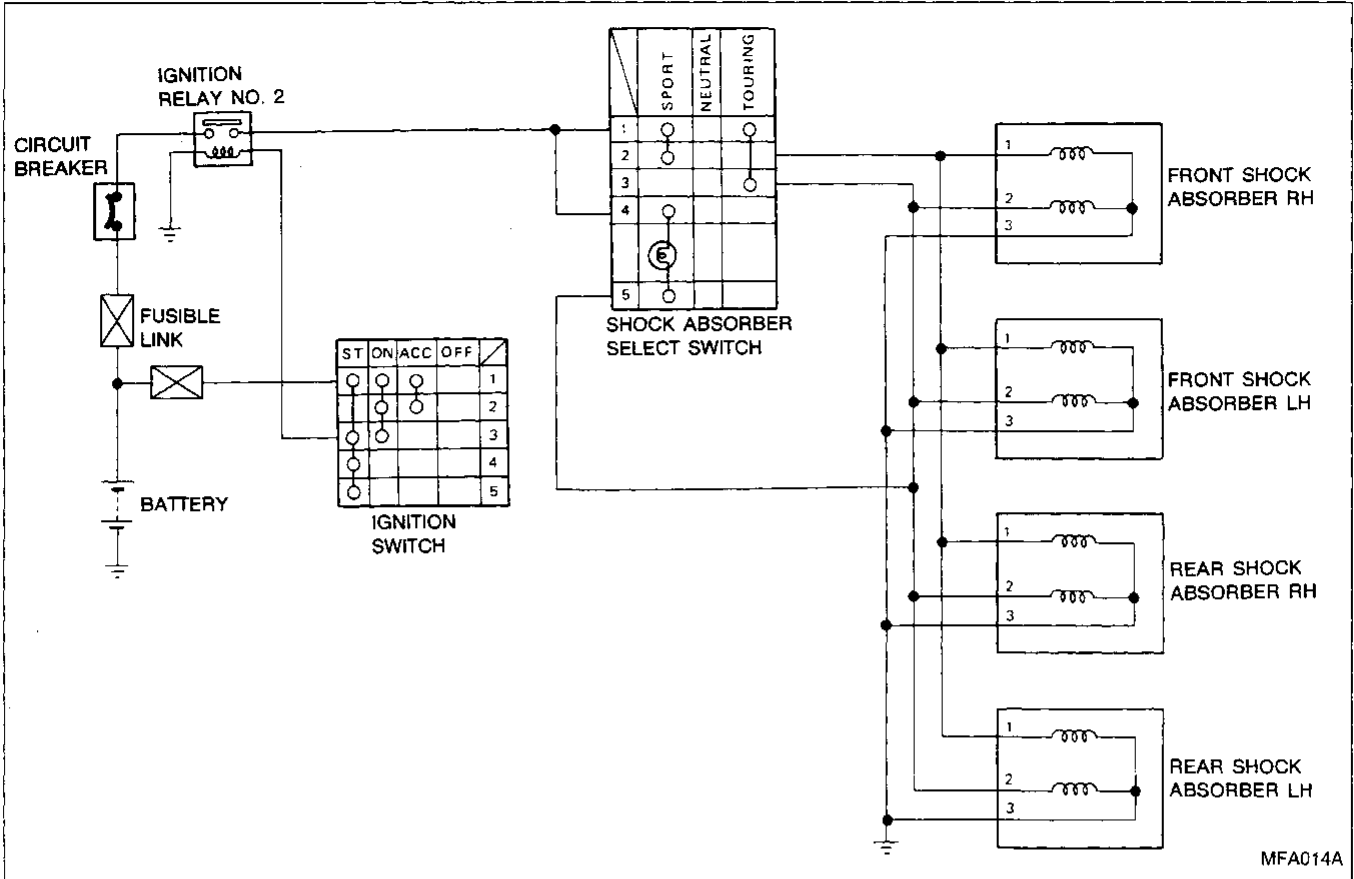
SECTION **FA**

CONTENTS

ADJUSTABLE SHOCK ABSORBER2	Wiring Diagram3
Schematic2	

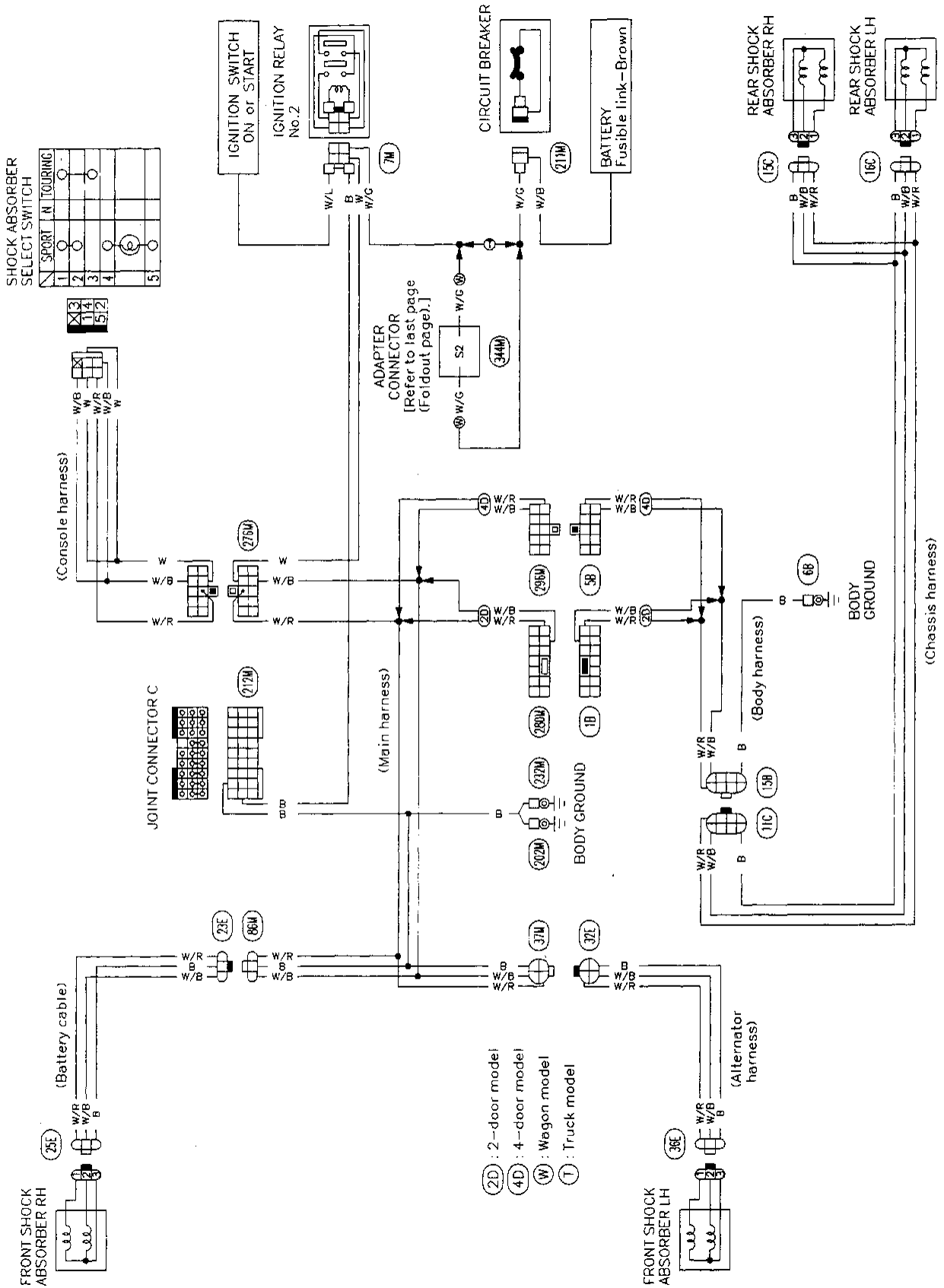
ADJUSTABLE SHOCK ABSORBER

Schematic



ADJUSTABLE SHOCK ABSORBER

Wiring Diagram



EF &
 EC
 AT
FA
 BR
 BF
 HA
 EL