

ACCELERATOR CONTROL, FUEL & EXHAUST SYSTEMS

GI

MA

EM

LC

EC

FE

CL

MT

AT

TF

PD

FA

RA

BR

ST

RS

BT

HA

EL

IDX

SECTION FE

MODIFICATION NOTICE:

- VG30E engine has been added.
- The fuel system has been changed on KA24DE engine models.

CONTENTS

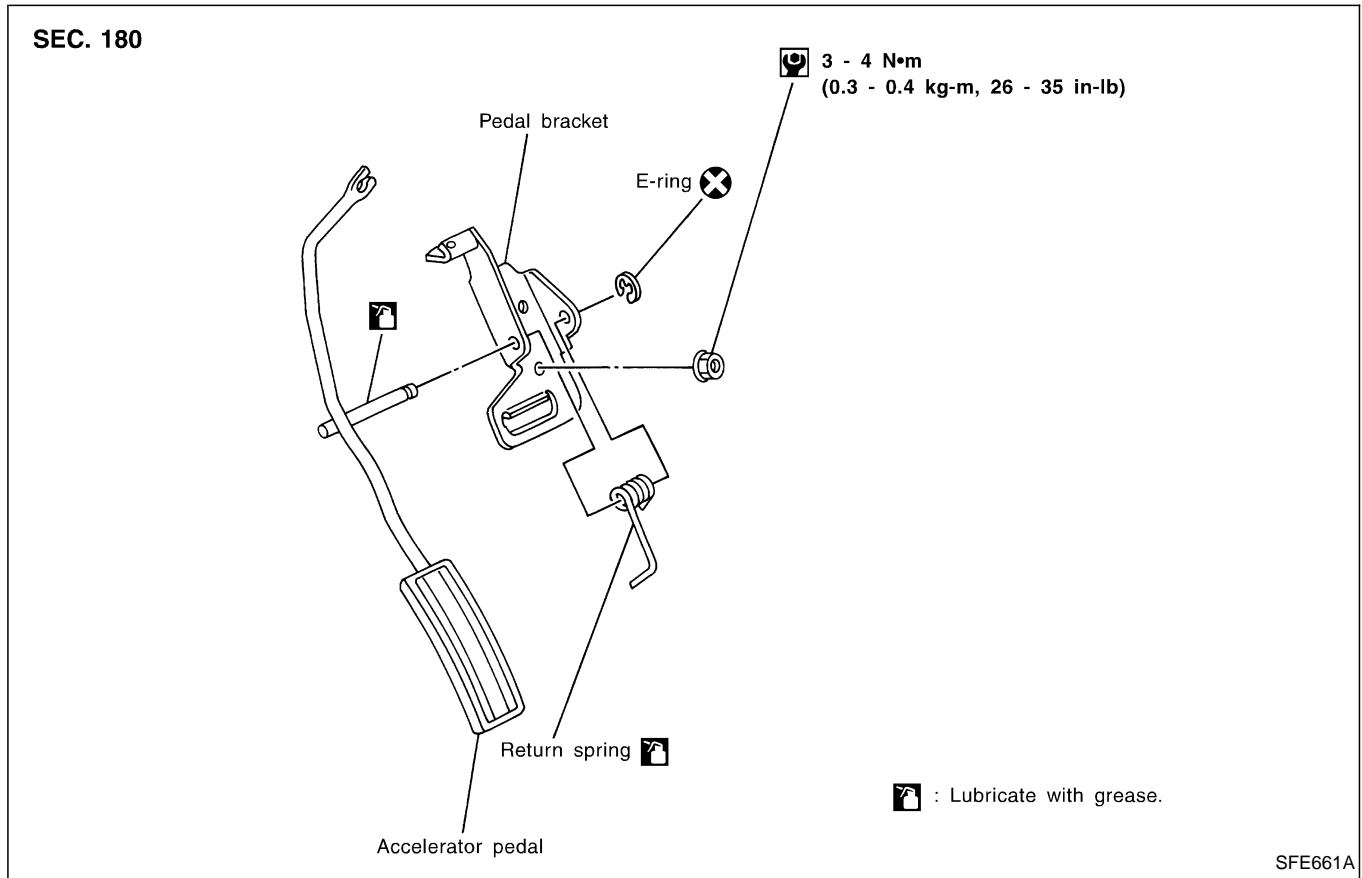
<input type="checkbox"/> VG <input type="checkbox"/>	
ACCELERATOR CONTROL SYSTEM	2
Accelerator Control System	2
Adjusting Accelerator Wire	3
FUEL SYSTEM	4

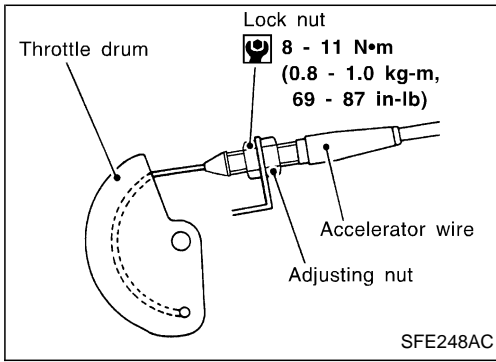
Fuel Tank	5
Fuel Pump and Fuel Level Sensor Unit	7
<input type="checkbox"/> VG <input type="checkbox"/>	
EXHAUST SYSTEM	8

Accelerator Control System

CAUTION:

- When removing accelerator wire, make a mark to indicate lock nut's initial position.
- Check that throttle valve opens fully when accelerator pedal is fully depressed. Also check that it returns to idle position when pedal is released.
- Check accelerator control parts for improper contact with any adjacent parts.
- When connecting accelerator wire, be careful not to twist or scratch wire.





Adjusting Accelerator Wire

1. Loosen lock nut, and tighten adjusting nut until throttle drum starts to move.
2. From that position turn back adjusting nut 1.5 to 2 turns, and fasten it with lock nut.

GI

MA

EM

LC

EC

FE

CL

MT

AT

TF

PD

FA

RA

BR

ST

RS

BT

HA

EL

IDX

FUEL SYSTEM

WARNING:

When replacing fuel line parts, be sure to observe the following:

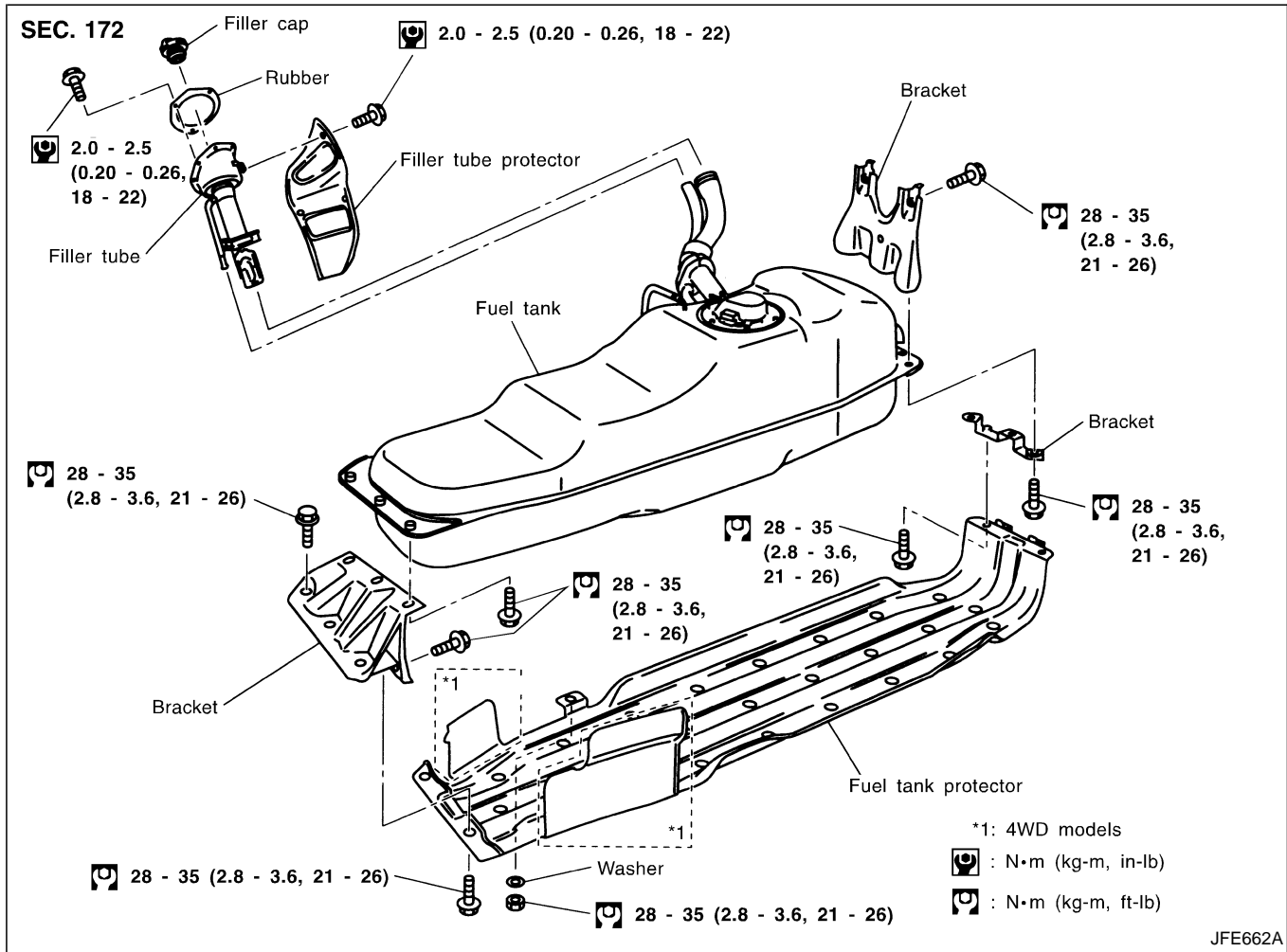
- Put a “CAUTION: INFLAMMABLE” sign in workshop.
- Do not smoke while servicing fuel system. Keep open flames and sparks away from work area.
- Be sure to disconnect battery ground cable before conducting operations.
- Be sure to furnish workshop with a CO₂ fire extinguisher.
- Drain fuel from fuel tank and put drained fuel in an explosion-proof container and put lid on securely.

CAUTION:

- Before disconnecting fuel hose, release fuel pressure from fuel line. Refer to EC section, “Fuel Pressure Release”.
- Do not disconnect any fuel line unless absolutely necessary.
- Plug hose and pipe openings to prevent entry of dust or dirt.
- Always replace O-ring and clamps with new ones.
- Do not kink or twist hose and tube when they are installed.
- Do not tighten hose clamps excessively to avoid damaging hoses.
- When installing fuel check valve, be careful of its designated direction. Refer to EC section, “EVAPORATIVE EMISSION SYSTEM”.
- Tighten bolts to specified torque.
- After installation, run engine and check for fuel leaks at connections.

FUEL SYSTEM

Fuel Tank



CAUTION:

Do this work in a well ventilated area away from flame and with a fire extinguisher nearby.

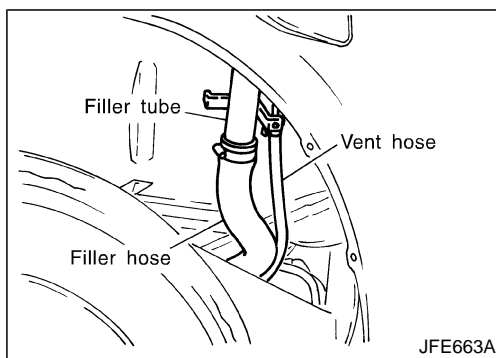
REMOVAL

1. Release the fuel pressure. Refer to EC section, "Fuel Pressure Release".
2. Open the fuel filler lid.
3. Open the filler cap to release the pressure in the fuel tank.
4. Verify the amount of remaining fuel and remove as necessary.

CAUTION:

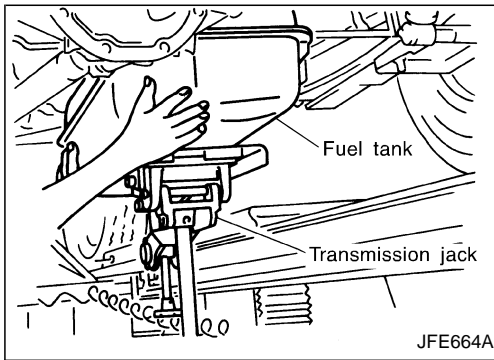
On 4WD models, the tank is removed under unstable conditions. Be especially careful to remove excessive fuel.

5. Remove the fuel tube protector. Remove the filler hose and vent hose from the filler tube.



FUEL SYSTEM

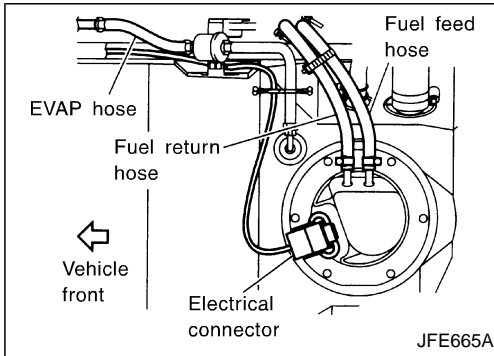
Fuel Tank (Cont'd)



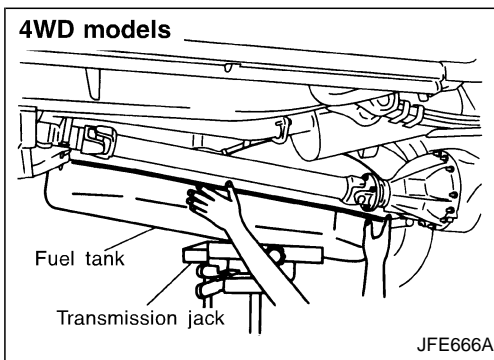
6. Remove the fuel tank protector.
7. Remove the fuel tank mounting bolt while supporting the bottom with a transmission jack.
8. Remove the forward and rearward mounting brackets.
9. While supporting the fuel tank, carefully lower the transmission jack to a level where the fuel feed and return hoses, evaporator hose, fuel gauge connector can be disconnected. Disconnect the parts.

CAUTION:

Install a blind valve on the fuel hose to prevent fuel from leaking.



- Make alignment marks on the fuel hose to prevent incorrect installation.
10. Remove the fuel tank.



- On 4WD models, the front-left flange of the fuel tank hits against the vehicle body. Lower the back end of the tank before removing it.

INSTALLATION

- Install in the reverse order of removal while paying attention to the following points.
- Insert hoses to the following levels and fasten securely with clamps.

Insertion level:

Filler hose 35 mm (1.38 in)

Other hoses 25 mm (0.98 in)

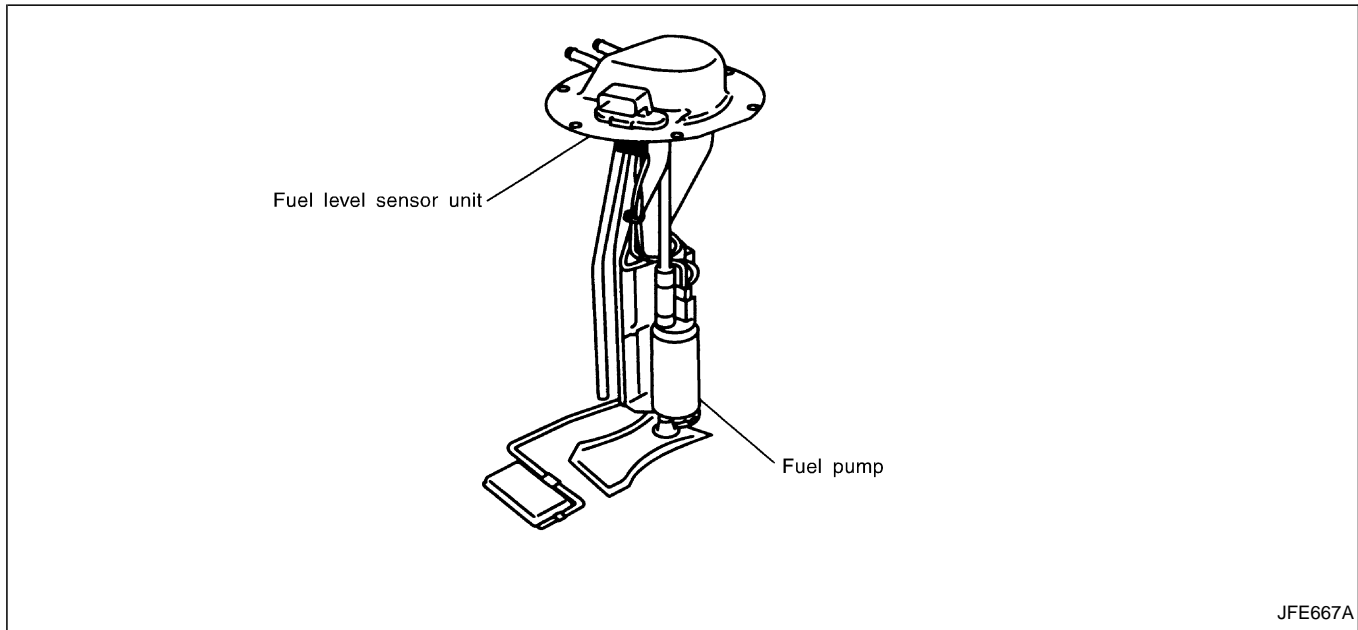
- Install clamps so they do not cover the tube bulges.

INSPECTION

Start the engine and increase engine speed. Make sure there are no fuel leaks.

FUEL SYSTEM

Fuel Pump and Fuel Level Sensor Unit



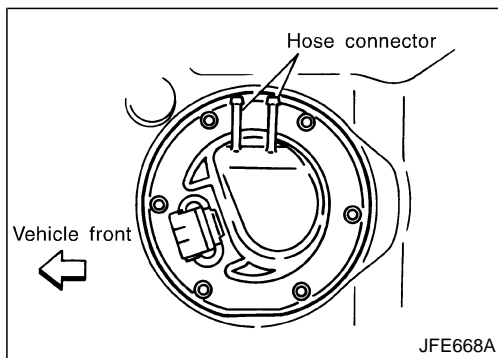
GI
MA
EM
LC
EC
FE
CL
MT
AT
TF
PD
FA
RA
BR
ST
RS
BT
HA
EL
IDX

CAUTION:

Do this work in a well ventilated area away from flame and with a fire extinguisher nearby.

REMOVAL

1. Remove the fuel tank. Refer to "Fuel Tank", FE-5.
2. Remove the fuel level sensor unit.
 - When removing, be careful not to bend the float arm.

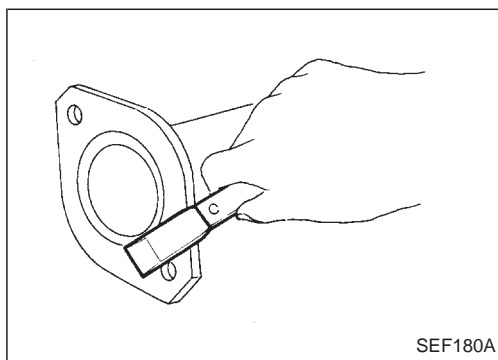


INSTALLATION

- Install in the reverse order of removal while paying attention to the following points.
- Install the fuel level sensor unit so the hose connector faces the right side of the vehicle.
- Tighten the bolts evenly.

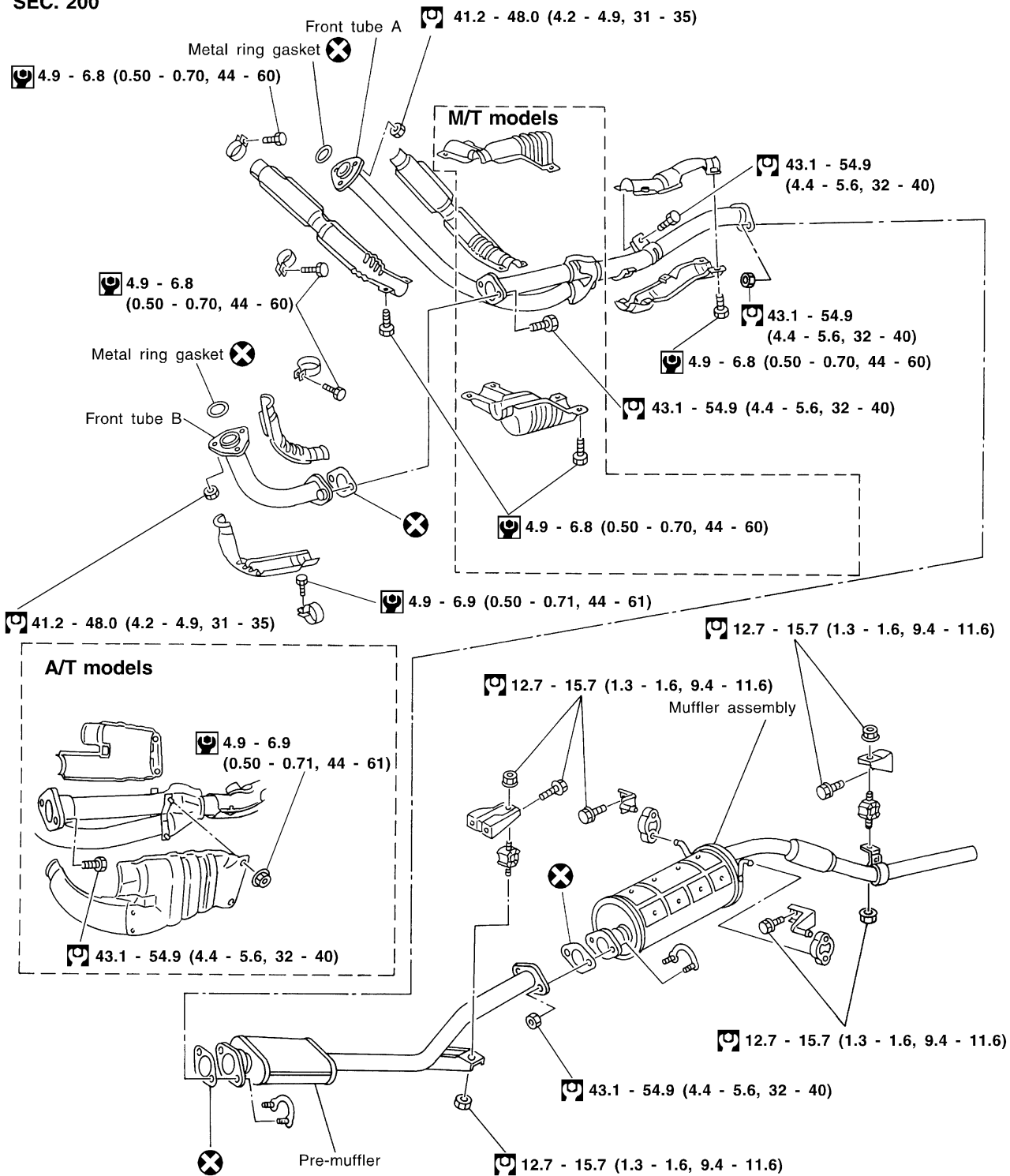
CAUTION:

Use Genuine Nissan bolts.

**CAUTION:**

- Always replace exhaust gaskets with new ones when reassembling. If gasket is left on flange surface, scrape off completely as shown at left.
- With engine running, check all tube connections for exhaust gas leaks, and entire system for unusual noises.
- Ensure that mounting brackets and mounting insulators are installed properly and free from undue stress. Improper installation could result in excessive noise or vibration.

2WD models
SEC. 200



: N·m (kg-m, in-lb)

: N·m (kg-m, ft-lb)

GI

MA

EM

LC

EC

FE

CL

MT

AT

TF

PD

FA

RA

BR

ST

RS

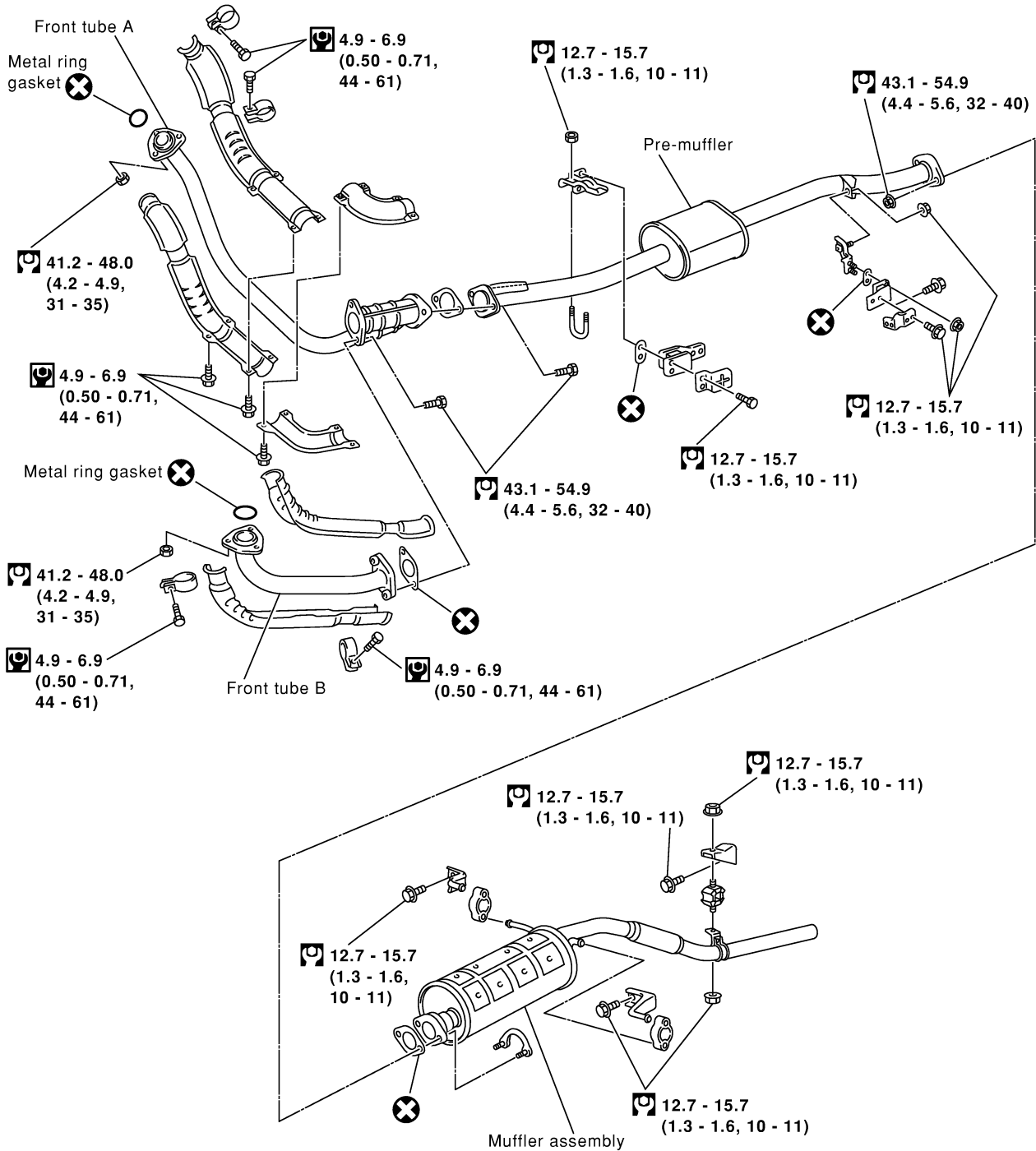
BT

HA

EL

IDX

4WD models
SEC. 200



: N•m (kg-m, in-lb)

: N•m (kg-m, ft-lb)