

SECTION GI

MA

EM

LC

EC

FE

CL

MT

AT

TF

PD

FA

RA

BR

ST

RS

BT

HA

EL

IDX

MODIFICATION NOTICE:

VG30E engine has been added for Australia.

CONTENTS

PRECAUTIONS	2	Checking Equipment.....	4
Supplemental Restraint System (SRS) "AIR BAG" and "SEAT BELT PRE-TENSIONER".....	2	CONSULT-II Data Link Connector (DLC) Circuit	4
CONSULT-II CHECKING SYSTEM	3	IDENTIFICATION INFORMATION	5
Function and System Application	3	Model Variation	5
Nickel Metal Hydride Battery Replacement.....	3	Wheels and Tires.....	13

This modification has been included in production starting with the following vehicle identification numbers (Chassis number):

For Australia

- JN1AFGD22A0000001 ●
- JN1CFGD22A0000001 ●
- JN1CFUD22A0000001 ●

For the Middle East

- JN6DD23S00X020001 ●

For Venezuela

- JN1CGUD220X410001 ●

PRECAUTIONS

Supplemental Restraint System (SRS) “AIR BAG” and “SEAT BELT PRE-TENSIONER”

The Supplemental Restraint System such as “AIR BAG” and “SEAT BELT PRE-TENSIONER” used along with a seat belt, helps to reduce the risk or severity of injury to the driver and front passenger in a frontal collision. The SRS system composition which is available to NISSAN MODEL D22 is as follows (The composition varies according to the destination and optional equipment.):

Driver air bag module (located in the center of the steering wheel), front passenger air bag module (located on the instrument panel on passenger side), seat belt pre-tensioner, a diagnosis sensor unit, warning lamp, wiring harness and spiral cable.

Information necessary to service the system safely is included in the **RS section** of this Service Manual.

WARNING:

- To avoid rendering the SRS inoperative, which could increase the risk of personal injury or death in the event of a collision which would result in air bag inflation, all maintenance must be performed by an authorized NISSAN dealer.
- Improper maintenance, including incorrect removal and installation of the SRS, can lead to personal injury caused by unintentional activation of the system. For removal of Spiral Cable and Air Bag Module, see the RS section.
- Do not use electrical test equipment on any circuit related to the SRS unless instructed to in this Service Manual. Spiral Cable and wiring harnesses (except “SEAT BELT PRE-TENSIONER”) covered with yellow insulation either just before the harness connectors or for the complete harness are related to the SRS.

Function and System Application

Diagnostic test mode	Function	ENGINE	A/T	ABS	AIR BAG
Work support	This mode enables a technician to adjust some devices faster and more accurate by following the indications on CONSULT-II.	x	x	—	—
Self-diagnostic results	Self-diagnostic results can be read and erased quickly.	x	x	x	x
Trouble diagnostic record	Current self-diagnostic results and all trouble diagnostic records previously stored can be read.	—	—	—	x
ECU discriminated No.	Classification number of a replacement ECU can be read to prevent an incorrect ECU from being installed.	—	—	—	x
Data monitor	Input/Output data in the ECU (ECM) can be read.	x	x	x	—
DTC work support	This mode enables a technician to set operating conditions to confirm self-diagnosis status/results.	—	x	—	—
Active test	Diagnostic Test Mode in which CONSULT-II drives some actuators apart from the ECMs and also shifts some parameters in a specified range.	x	—	x	—
ECU (ECM) part number	ECU (ECM) part number can be read.	x	x	x	—

x: Applicable

Nickel Metal Hydride Battery Replacement

CONSULT-II contains a nickel metal hydride battery. When replacing the battery obey the following:

WARNING:

Replace the nickel metal hydride battery with Genuine CONSULT-II battery only. Use of another battery may present a risk of fire or explosion. The battery may present a fire or chemical burn hazard if mistreated. Do not recharge, disassemble or dispose of in fire.

Keep the battery out of reach of children and discard used battery conforming to the local regulations.

GI

MA

EM

LC

EC

FE

CL

MT

AT

TF

PD

FA

RA

BR

ST

RS

BT

HA

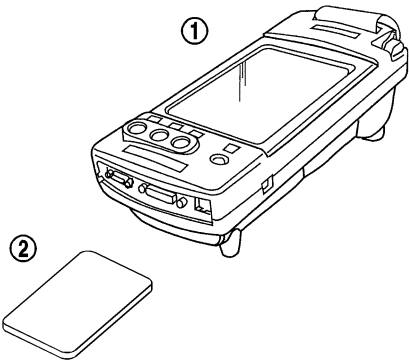
EL

IDX

CONSULT-II CHECKING SYSTEM

Checking Equipment

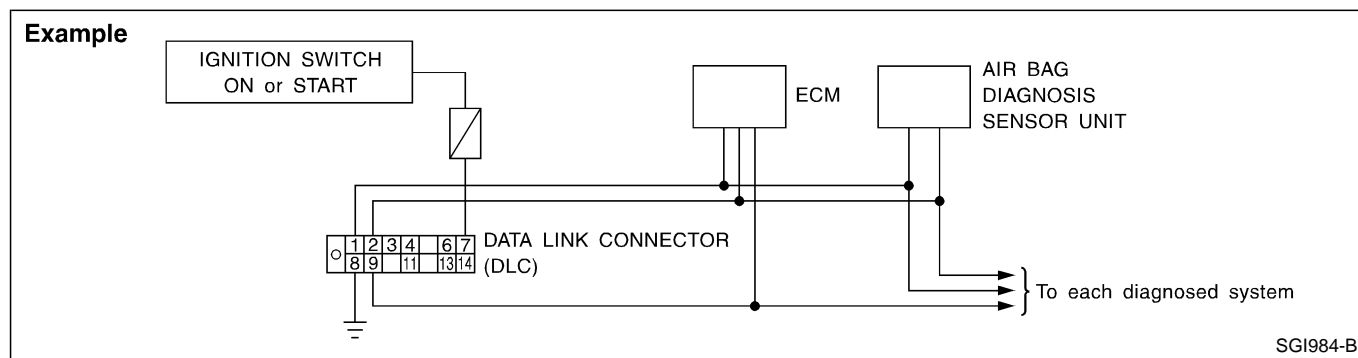
When ordering the below equipment, contact your NISSAN distributor.

Tool name	Description
NISSAN CONSULT-II ① CONSULT-II unit (Tester internal soft: Resident version 3.2.0) and accessories ② Program card AED00A (Version 4.10) To confirm the best combination of those softwares, refer to CONSULT-II Operation Manual.	 <p style="text-align: center;">SGI083A</p>

NOTE:

- The CONSULT-II must be used in conjunction with a program card. CONSULT-II does not require loading (Initialization) procedure.
- Be sure the CONSULT-II is turned off before installing or removing a program card.

CONSULT-II Data Link Connector (DLC) Circuit



INSPECTION PROCEDURE

If the CONSULT-II cannot diagnose the system properly, check the following items.

Symptom	Check item
CONSULT-II cannot access any system.	<ul style="list-style-type: none"> • CONSULT-II DLC power supply circuit (Terminal 7) and ground circuit (Terminal 8) (For detailed circuit, refer to "MIL & Data Link Connectors Wiring Diagram" in EC section.) • CONSULT-II DDL cable
CONSULT-II cannot access individual system. (Other systems can be accessed.)	<ul style="list-style-type: none"> • CONSULT-II program card (Check the appropriate CONSULT-II program card for the system. Refer to "Checking Equipment" above.) • Power supply and ground circuit for the control unite of the system (For detailed circuit, refer to wiring diagram for each system.) • Open or short circuit between the system and CONSULT-II DLC (For detailed circuit, refer to wiring diagram for each system.)

IDENTIFICATION INFORMATION

Model Variation

PICKUP (2WD)

Destination	Class		Grade	Model		Engine	Transmission	Differential carrier
	Wheelbase	Cab		LH drive	RH drive			
General areas (Except for the Middle East and Australia)	Long	Single Cab	STD	ABEALCF-SWL*1	ABEGRCF-SWL	Z24	FS5W71C	
				ABEGLCF-SWL	ABGRCF-EWL	KA24DE		
				AVNGLCF-NQL	AVPGRCF-NWL	TD27		
				AVPGLCF-NWL		Z24		
						TD25		
						TD27		
	Long	Double Cab	STD	CBEGLCF-SWL	CBEGRCF-SWL	Z24	FS5W71C	
				CBGGLCF-EWL	CVPGRCF-NWL	KA24DE		
				CVPGLCF-NWL		TD27		
				CVNGLDF-NQN		Z24		
				CBEGLEF-SWL		TD25		
				CBGGLCF-EWL		Z24		
Australia	Long	Single Cab	STD	CBGGLF-NWN		KA24DE	C200	
				CBGGLFF-EWN		RE4R01A		
				CBGGLFA-EWN		FS5W71C		
					ABGRCF-EML	TD27		
					AVPGRDF-NML	KA24DE		
					ABGGRDF-EML	RE4R01A		
	Long	Double Cab	ST		ABGGRDB-EML	VG30E	C200	
					ALBGRDF0EML	RE4R01A		
					ALBGRDA0EML	FS5R30A		
					CBGGREF-EML	RE4R01A		
					CBGGREB-EML	FS5W71C		
					CLBGREF0EML	RE4R01A		
Middle East	Long	Single Cab	STD	ABEALCF-SWL	ABGRCF-EML	Z24	FS5W71C	
				ABEGLCF-SWL	AVPGRDF-NML	KA24DE		
				ABGALEF-EKL	CBGGRDF-EML	RE4R01A		
				AVNGLCF-NQL	CBGGRDB-EML	FS5W71C		
				ABEALDF-SKL	CLBGRDF0EML	RE4R01A		
				AVPALDF-NKL	CLBGRDA0EML	FS5W71C		
	Long	Double Cab	DX		CBGGRDB-EML	VG30E	C200	
					CLBGRDA0EML	RE4R01A		
					CVPGRDF-NML	FS5W71C		
					CBGGRDF-EML	RE4R01A		
					CBGGRDB-EML	FS5W71C		
					CLBGRDF0EML	RE4R01A		

*1 2SHT

IDENTIFICATION INFORMATION
Model Variation (Cont'd)

PICKUP (2WD)

Destination	Class		Grade	Model		Engine	Transmission	Differential carrier
	Wheelbase	Cab		LH drive	RH drive			
Middle East	Long	Double Cab	SE	CBEGLFF-SKL	—	Z24	FS5W71C	C200
				CBGGLFF-EKN				
				CBGGLFF-EKL				
				CBGGLFA-EKN				
				CBGGLFA-EKL				
				RE4R01A				
	ST	CBGLEF-SKL	—	Z24	FS5W71C			
		CBGGLFF-EKL		KA24DE	RE4R01A			
		CBGGLFA-EKL		Z24	FS5W71C			
		CBGLDF-SKL		TD25	FS5W71C			
		CVNGLDF-NQN		TD27	FS5W71C			
		CVPGLDF-NKL		KA24DE	FS5W71C			
DX	Double Cab	SE	CBGGLDF-SKL	—	Z24	FS5W71C	C200	
			CBGGLDF-SKL					
			CBGGLDF-SKL					
			CBGGLDF-SKL					
			CBGGLDF-SKL					
			CBGGLDF-SKL					

IDENTIFICATION INFORMATION

Model Variation (Cont'd)

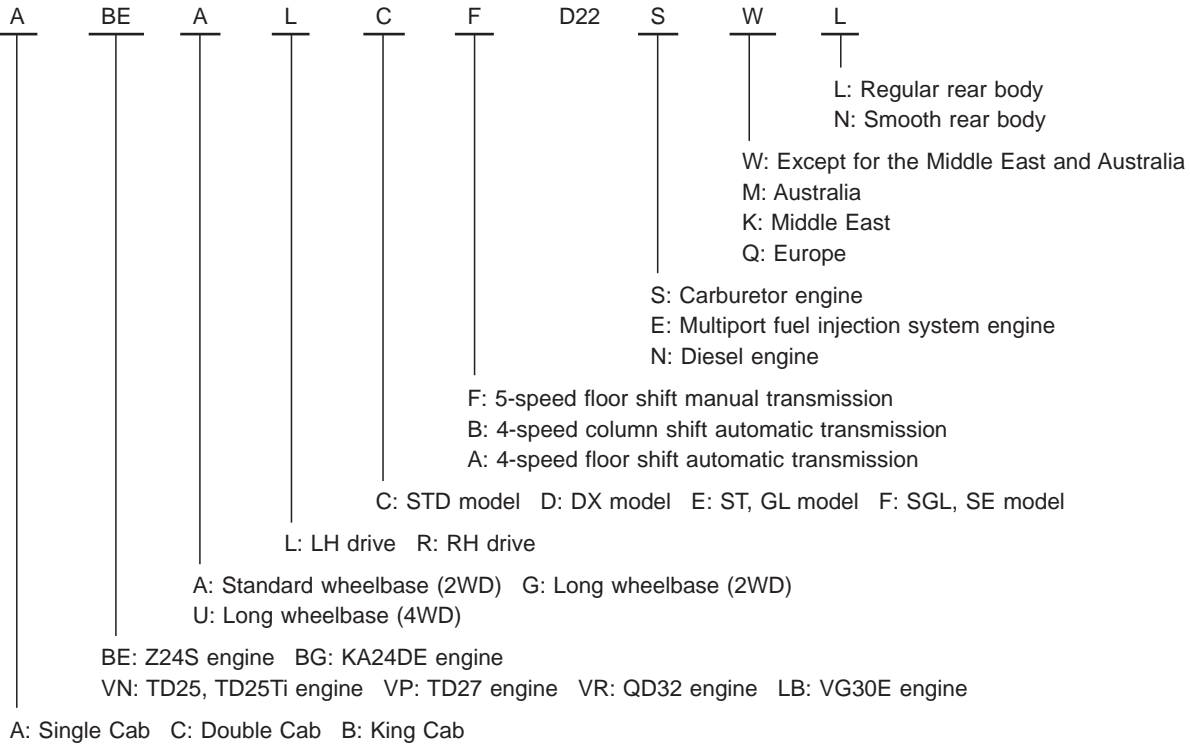
PICKUP (4WD)

Destination	Class		Grade	Model			Engine	Transmission	Differential carrier		Transfer
	Wheelbase	Cab		LH drive	RH drive	Front			Rear		
General area (Except for the Middle East and Aus- tralia)	Long	Single Cab	STD	—	ABGURCF-EWL	KA24DE	FS5W71C	R180			
					AVRURCF-NWL	QD32	FS5R30A				
				ABGULCF-EWL	KA24DE	FS5W71C	R180				
				AVNULCF-UQL	TD25	FS5R30A					
				AVRULCF-NWL	QD32	FS5W71C					
				AVNULDF-UQL	TD25	FS5R30A					
	Long	Double Cab	STD	—	CBGURCF-EWN	KA24DE	FS5W71C	R180			
					CVRURCF-NWN	QD32	FS5R30A				
				CBGULCF-EWN	KA24DE	FS5W71C	R180				
				CVRULCF-NWN	QD32	FS5R30A					
				CVNULCF-UQL	TD25	FS5W71C					
				CVRULCF-EWN	QD32	FS5R30A					
Long	Single Cab	STD	—	AVRURCF-NML	KA24DE	FS5W71C	R200				
				CLBUREF0EMN	VG30E	FS5R30A					
			—	QD32	FS5W71C	R180					
			AVRURDF-NML	KA24DE	FS5W71C						
			ABGURDF-EML	VG30E	FS5R30A						
			CLBURDF0EMN	QD32	FS5R30A						
Long	Double Cab	STD	—	AVRURDF-NML	KA24DE	FS5W71C	R180				
				ABGURDF-EML	VG30E	FS5R30A					
			—	QD32	FS5W71C	R180					
			CVRURDF-NMN	KA24DE	FS5W71C						
			CBGURDF-EMN	TD25	FS5R30A						
			AVNULCF-UQL	KA24DE	FS5W71C						
Long	Double Cab	DX	—	ABGULDF-EKL	KA24DE	FS5W71C	R180				
				CBGULDF-EKN	TD25	FS5R30A					
			—	KA24DE	FS5W71C	R180					
			AVNULDF-UQL	TD25	FS5R30A						

IDENTIFICATION INFORMATION

Model Variation (Cont'd)

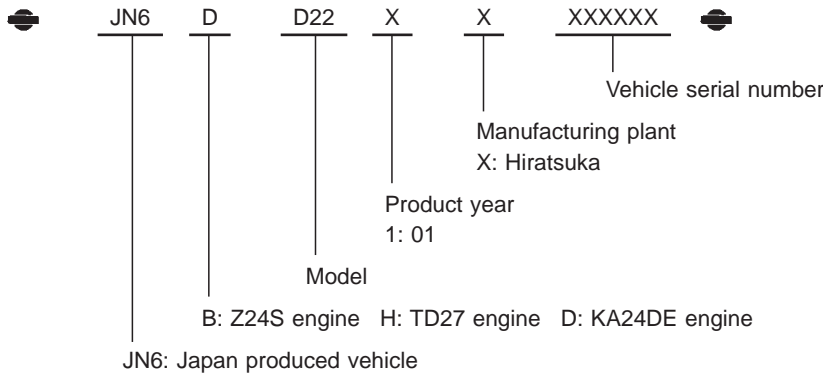
Prefix and suffix designations (Pickup)



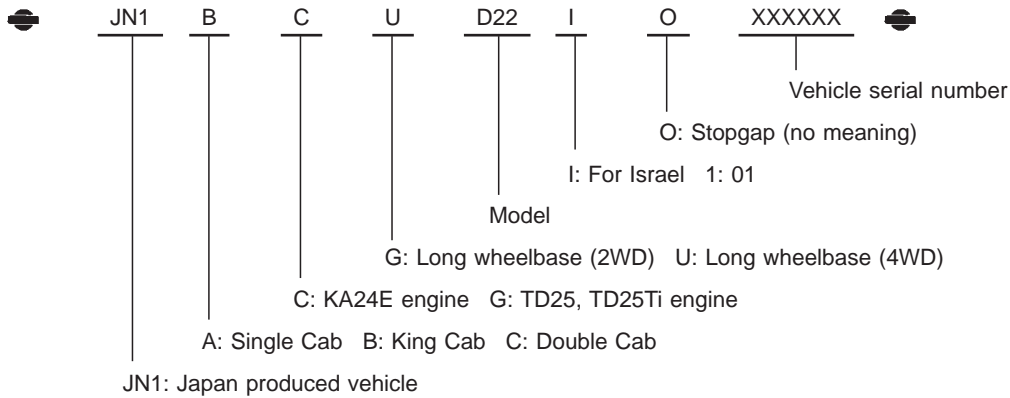
IDENTIFICATION INFORMATION

Model Variation (Cont'd)

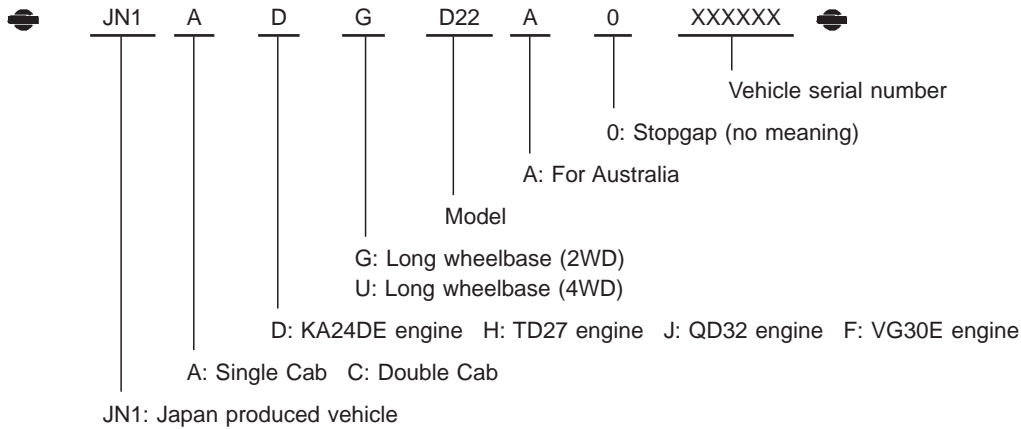
For the Middle East



For Israel



For Australia and New Zealand



GI

MA

EM

LC

EC

FE

CL

MT

AT

TF

PD

FA

RA

BR

ST

RS

BT

HA

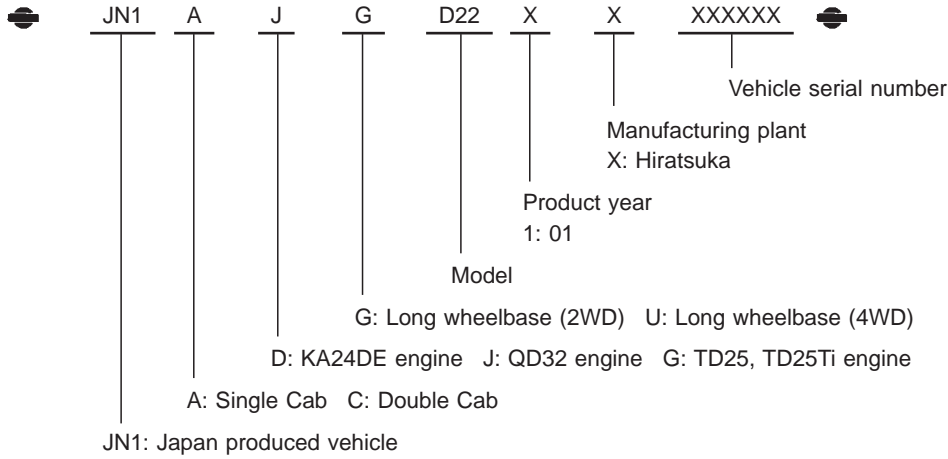
EL

IDX

IDENTIFICATION INFORMATION

Model Variation (Cont'd)

For Brazil and Venezuela



IDENTIFICATION PLATE

For China	Except for China	
<div style="border: 1px solid black; padding: 5px;"> <p style="text-align: center;">NISSAN MOTOR CO., LTD. JAPAN</p> <p style="text-align: center;">型式 TYPE TIPO 1</p> <p>CHASSIS NO. NO. DE CHASSIS 2</p> <p>MODEL MODELO 3</p> <p>○ カラー-COLOR TRIM トリム-COLOR GUARNICION 4 5 ○</p> <p>エンジン ENGINE 6 7 CC</p> <p>ミッション TRANS. AXLE 8 9</p> <p>アクスル TRANS. EJE 10 11</p> <p>G.V.W 12 kg 13 PLANT PLANTA</p> <p style="text-align: center;">日産自動車株式会社</p> </div>	<div style="border: 1px solid black; padding: 5px;"> <p style="text-align: center;">NISSAN MOTOR CO., LTD. JAPAN</p> <p style="text-align: center;">型式 TYPE TIPO 1</p> <p>CHASSIS NO. NO. DE CHASSIS 2</p> <p>MODEL MODELO 3</p> <p>○ カラー-COLOR TRIM トリム-COLOR GUARNICION 4 5 ○</p> <p>エンジン ENGINE 6 7 CC</p> <p>ミッション TRANS. AXLE 8 9</p> <p>アクスル TRANS. EJE 10 11</p> <p>工場 12 PLANT PLANTA</p> <p style="text-align: center;">日産自動車株式会社</p> </div>	<ol style="list-style-type: none"> 1 Type approval number 2 Vehicle identification number (Chassis number) 3 Model 4 Body color code 5 Trim color code 6 Engine model 7 Engine displacement 8 Transaxle model 9 Axle model 10 Gross vehicle weight 11 Manufacture month, year

SGI851

IDENTIFICATION INFORMATION

Model Variation (Cont'd)

ENGINE SERIAL NUMBER

TRANSFER SERIAL NUMBER

GI

MA

EM

LC

EC

FE

CL

MT

AT

TF

PD

FA

RA

BR

ST

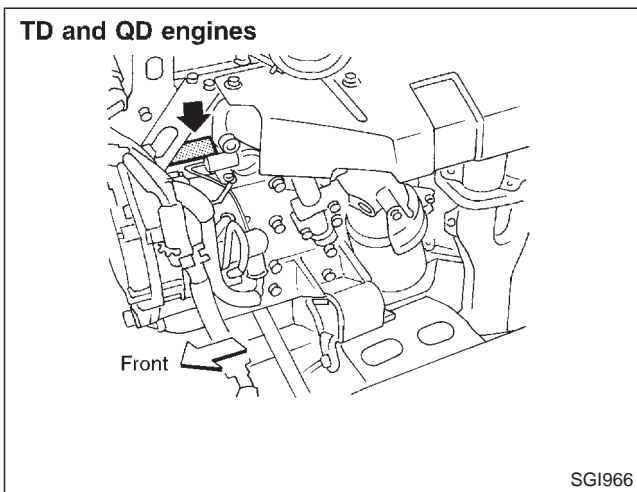
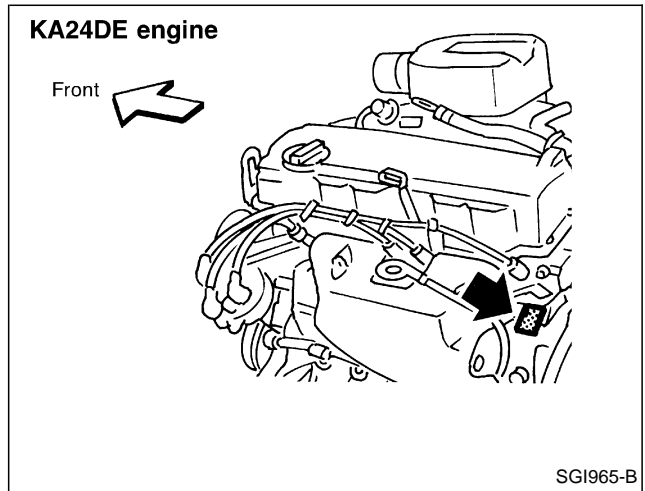
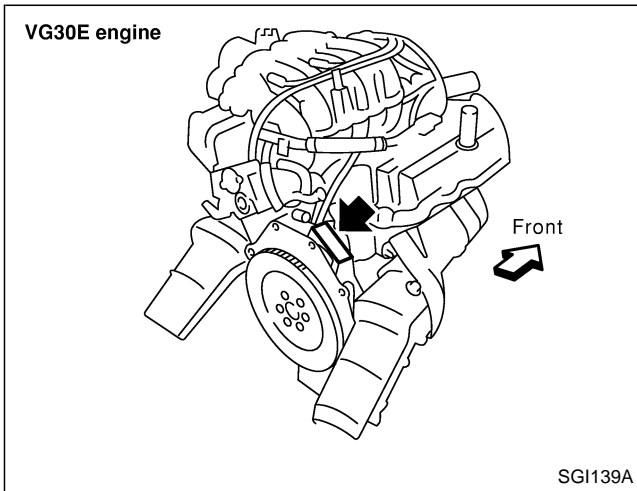
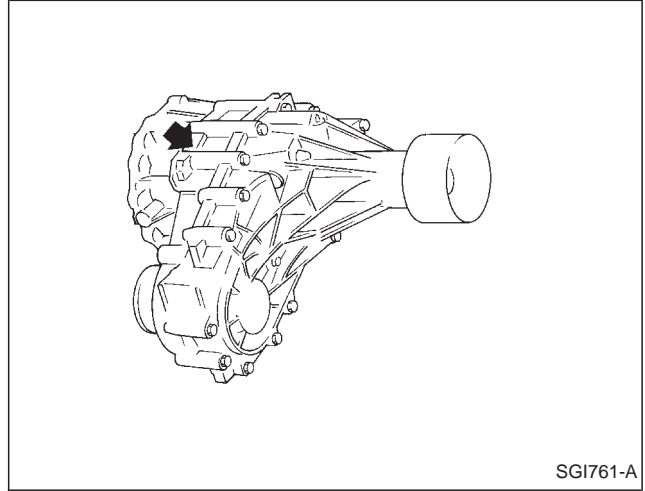
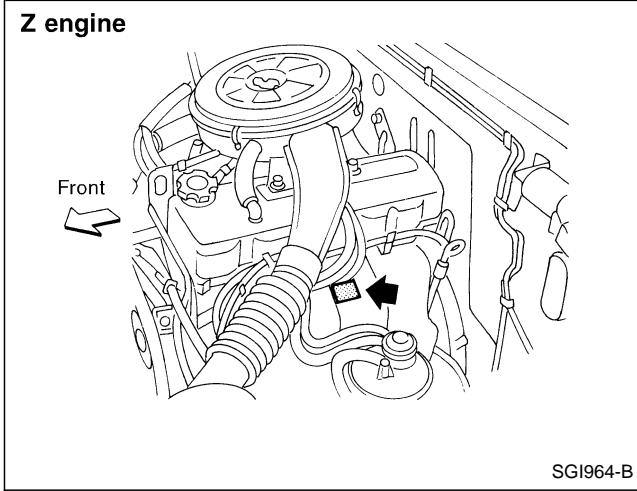
RS

BT

HA

EL

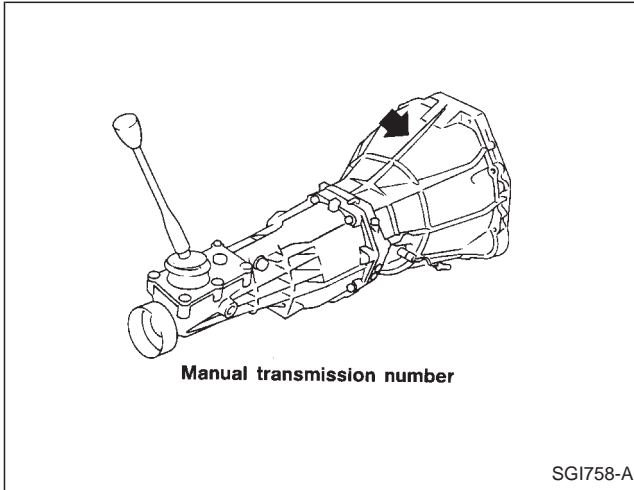
IDX



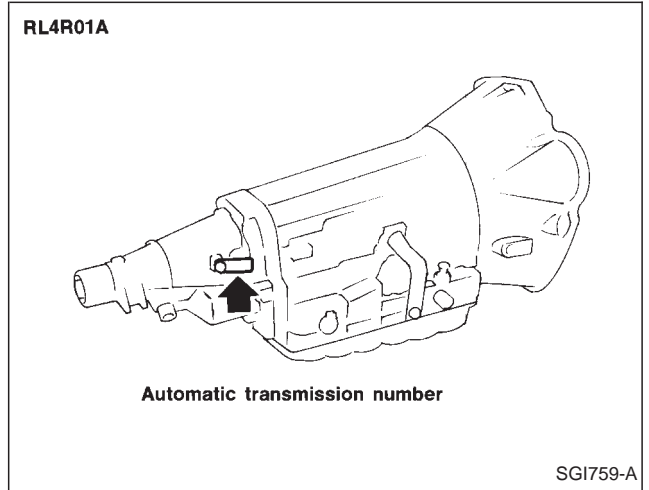
IDENTIFICATION INFORMATION

Model Variation (Cont'd)

TRANSMISSION SERIAL NUMBER



AUTOMATIC TRANSMISSION NUMBER



IDENTIFICATION INFORMATION

Wheels and Tires

PICKUP (2WD)

Tire	Wheel	Model						
		Except Australia and Europe		Australia		Europe		
		Single Cab	Double Cab	Single Cab	Double Cab	Single Cab	King Cab	Double Cab
6.00/6.50-14-6/8PR*1	5J-14	X	X	X	X	—	—	—
6.50-14-8/8PR	5J-14	X	X	—	—	—	—	—
185R14-8PR	5J-14	X	X	—	—	X	X	X
195R14-8PR	5J-14	X*2	X*2	—	—	X*2	X*2	X*2
195R14C-8PR	5K-14	—	—	X	X	—	—	—
195R15-8PR	5-1/2K-15	—	—	X	X	—	—	—
195R15-8PR	6JJ-15	X*2	X*2	—	—	—	—	—

X: Applicable

—: Not applicable

*1: 6.00-14-6 for front/6.50-14-8 for rear

6-ply rating for front/8-ply rating for rear

*2: Option

PICKUP (4WD)

Tire	Wheel	Model		
		Except Australia and Europe	Australia	Europe
6.50-15-6/8PR*1	5J-1/2K-15	X	—	—
215R15-8PR	5J-1/2K-15	X*2	—	—
205R16-8PR	6J-16	X	X	X
255/70R15	7JJ-15	X*2	—	X*2

X: Applicable

—: Not applicable

*1: 6-ply rating for front/8-ply rating for rear

*2: Option

GI

MA

EM

LC

EC

FE

CL

MT

AT

TF

PD

FA

RA

BR

ST

RS

BT

HA

EL

IDX