

AUTOMATIC TRANSMISSION

SECTION AT

MODIFICATION NOTICE:

Wiring diagrams have been changed.

CONTENTS

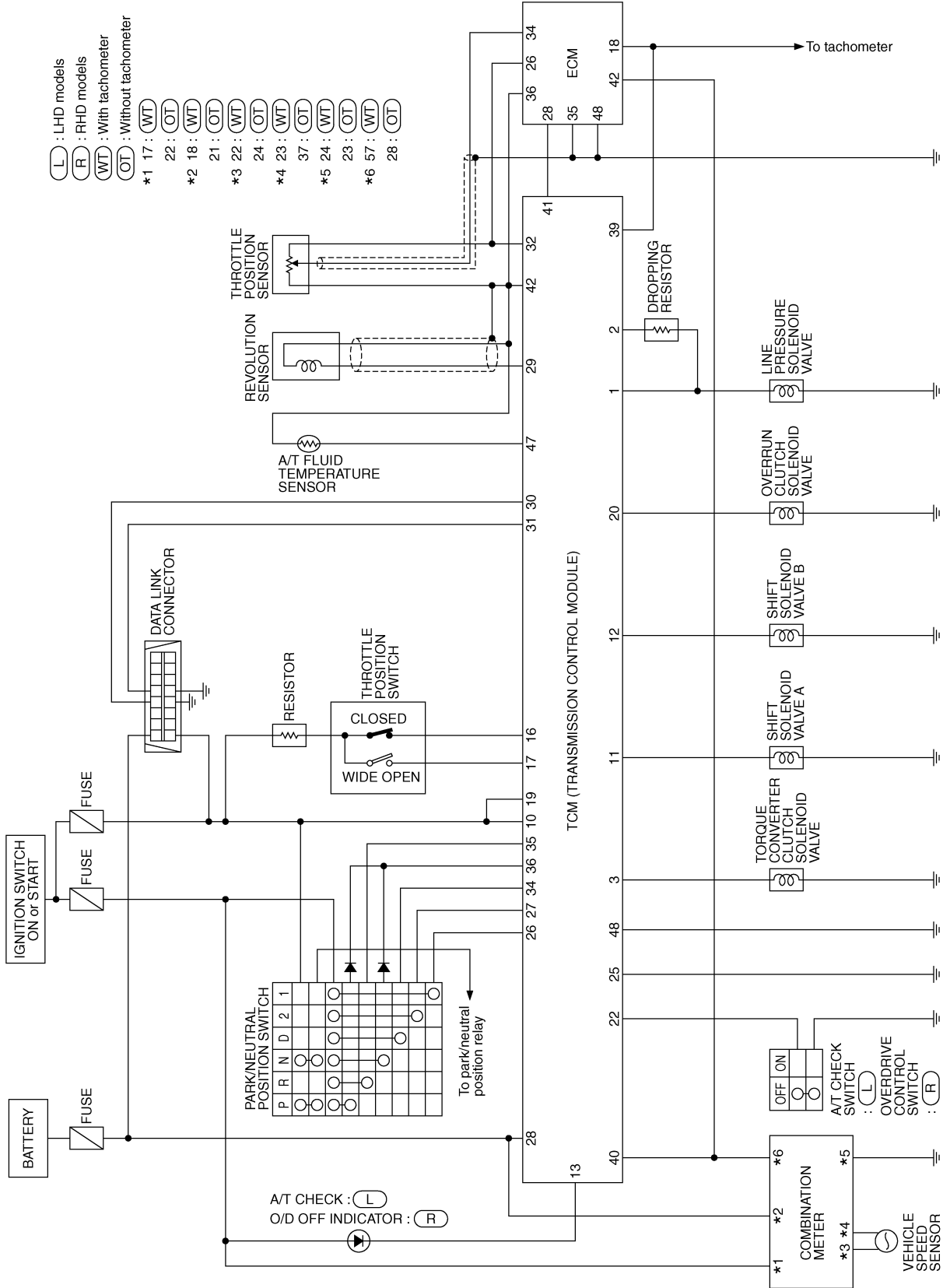
OVERALL SYSTEM	2	Wiring Diagram - AT - SSV/B	16
Circuit Diagram	2	TRouble DIAGNOSIS FOR OVERRUN CLUTCH	
TRouble DIAGNOSIS FOR POWER SUPPLY	4	S/V	18
Wiring Diagram - AT - MAIN	4	Wiring Diagram - AT - OVRCSV	18
TRouble DIAGNOSIS FOR VHCL SPEED		TRouble DIAGNOSIS FOR T/C CLUTCH SOL/V	20
SEN-A/T (REVOLUTION SENSOR)	6	Wiring Diagram - AT - TCV	20
Wiring Diagram - AT - VSSA/T	6	TRouble DIAGNOSIS FOR BATT/FLUID TEMP	
TRouble DIAGNOSIS FOR VHCL SPEED		SEN	22
SEN-MTR	9	Wiring Diagram - AT - BA/FTS	22
Wiring Diagram - AT - VSSMTR	9	TRouble DIAGNOSIS FOR ENGINE SPEED SIG	24
TRouble DIAGNOSIS FOR THROTTLE POSI		Wiring Diagram - AT - ENGSS	24
SEN	11	TRouble DIAGNOSIS FOR LINE PRESSURE	
Wiring Diagram - AT - TPS	11	S/V	26
TRouble DIAGNOSIS FOR SHIFT SOLENOID/V		Wiring Diagram - AT - LPSV	26
A	14	TRouble DIAGNOSES FOR SYMPTOMS	28
Wiring Diagram - AT - SSV/A	14	Wiring Diagram - AT - NONDTC	28
TRouble DIAGNOSIS FOR SHIFT SOLENOID/V		A/T SHIFT LOCK SYSTEM	34
B	16	Wiring Diagram - SHIFT -	34

GI
MA
EM
LC
EC
FE
CL
MT
AT
TF
PD
FA
RA
BR
ST
RS
BT
HA
EL
IDX

OVERALL SYSTEM

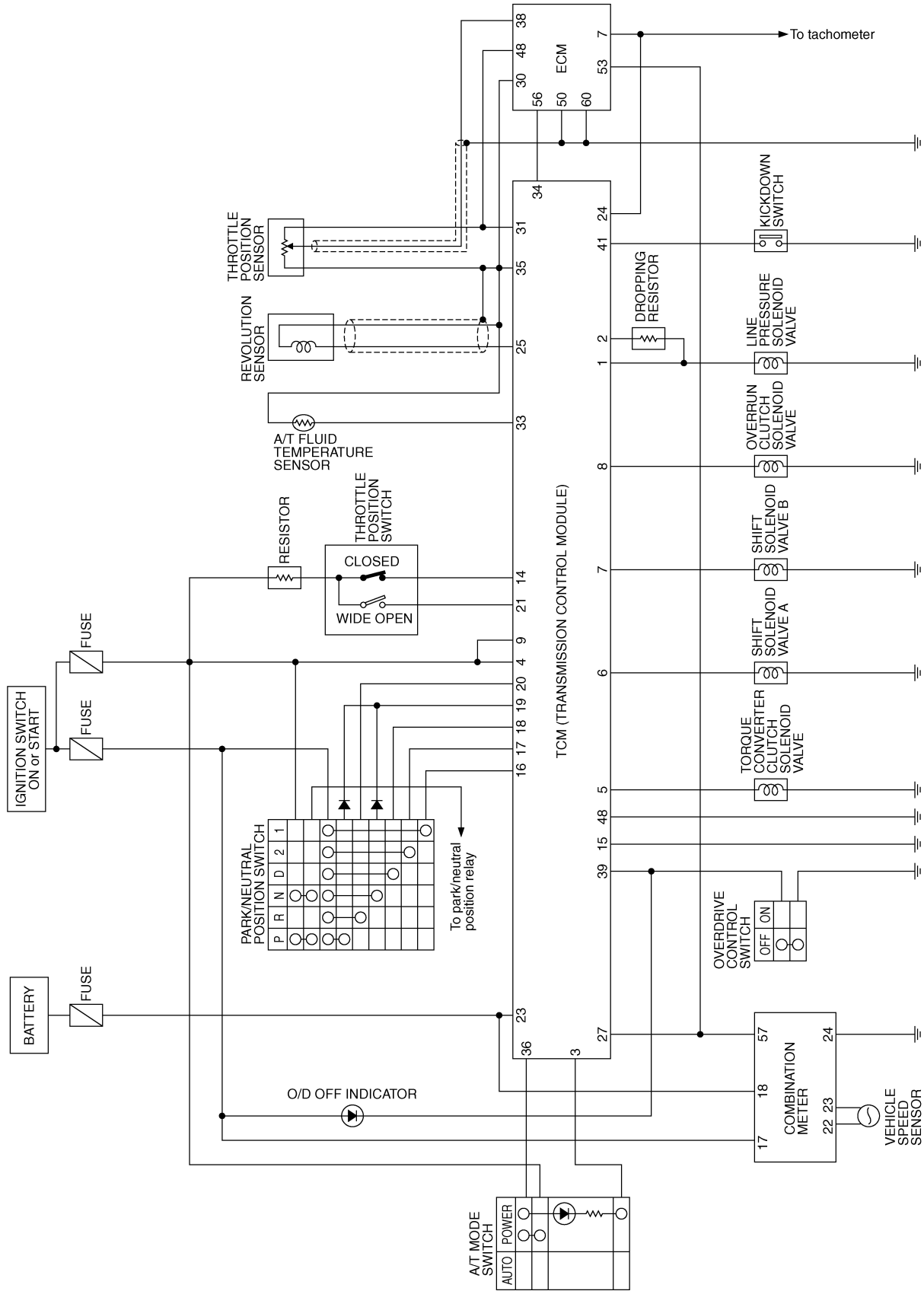
Circuit Diagram

KA24DE ENGINE MODEL



OVERALL SYSTEM Circuit Diagram (Cont'd)

VG30E ENGINE MODEL



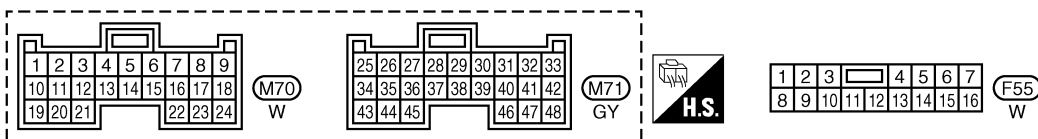
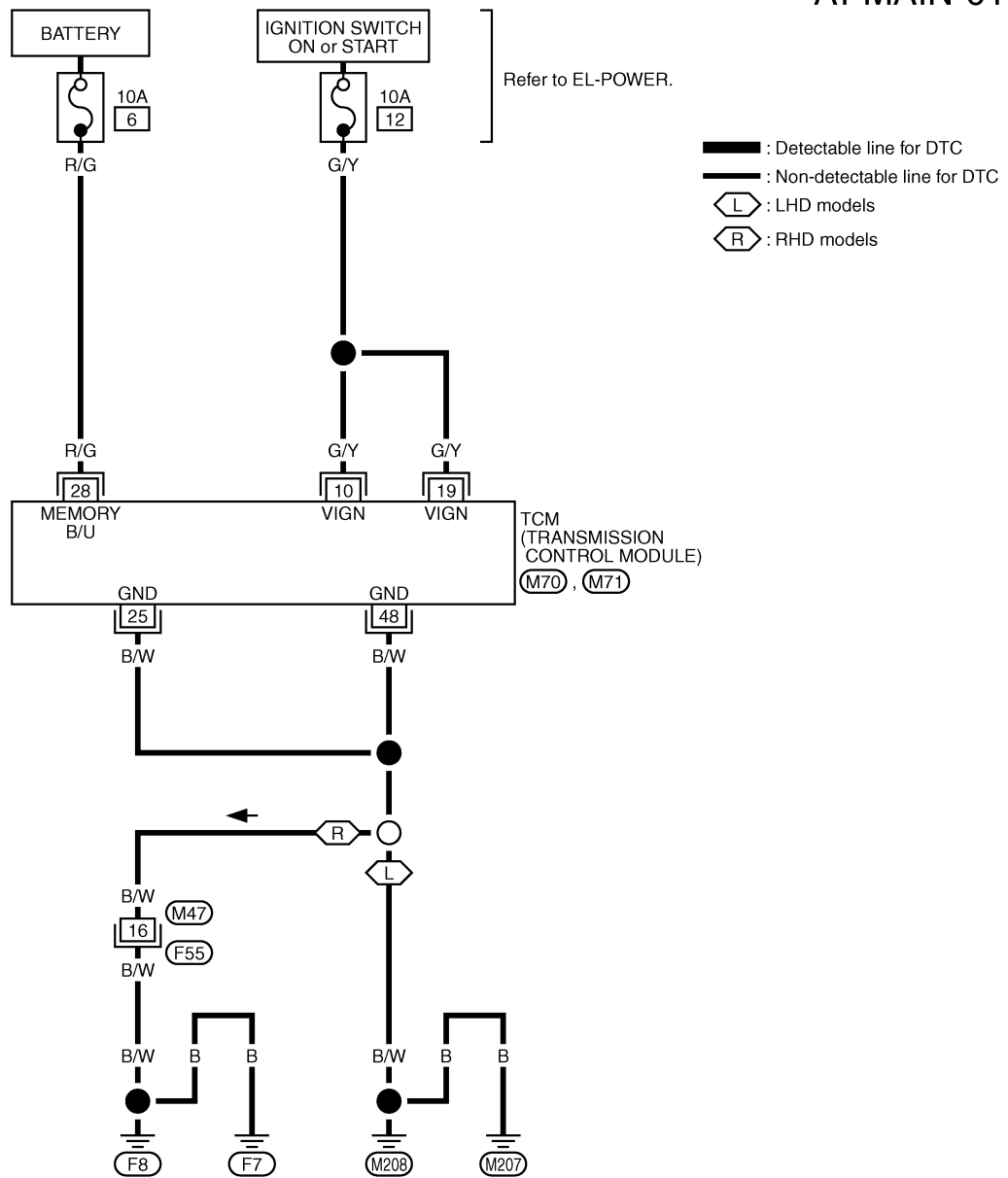
- GI
- MA
- EM
- LC
- EC
- FE
- CL
- MT
- AT
- TF
- PD
- FA
- RA
- BR
- ST
- RS
- BT
- HA
- EL
- IDX

TROUBLE DIAGNOSIS FOR POWER SUPPLY

Wiring Diagram — AT — MAIN

KA24DE ENGINE MODEL

AT-MAIN-01

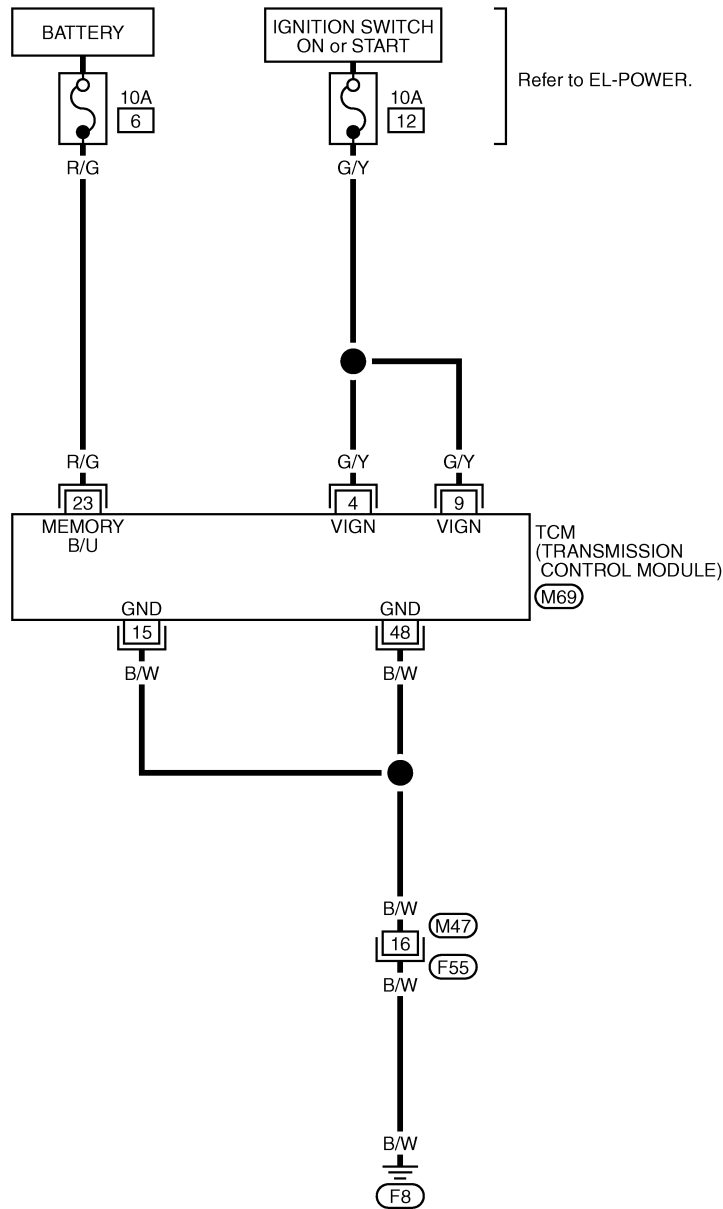


TROUBLE DIAGNOSIS FOR POWER SUPPLY

Wiring Diagram — AT — MAIN (Cont'd)

VG30E ENGINE MODEL

AT-MAIN-02



GI
MA
EM
LC
EC
FE
CL
MT
AT
TF
PD
FA
RA
BR
ST
RS
BT
HA
EL
IDX

1	2	3	4	9	10	11	12	13	14	15	23	24	25	26	27	28	29	30	31	32	33	34	35
5	6	7	8	16	17	18	19	20	21	22	36	37	38	39	40	41	42	43	44	45	46	47	48

(M69)
W



1	2	3	4	5	6	7	(F55)	
8	9	10	11	12	13	14	15	16

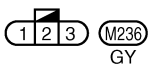
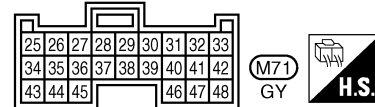
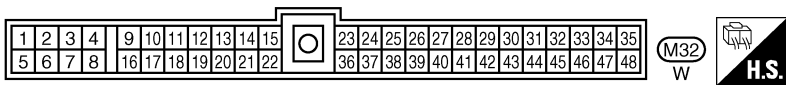
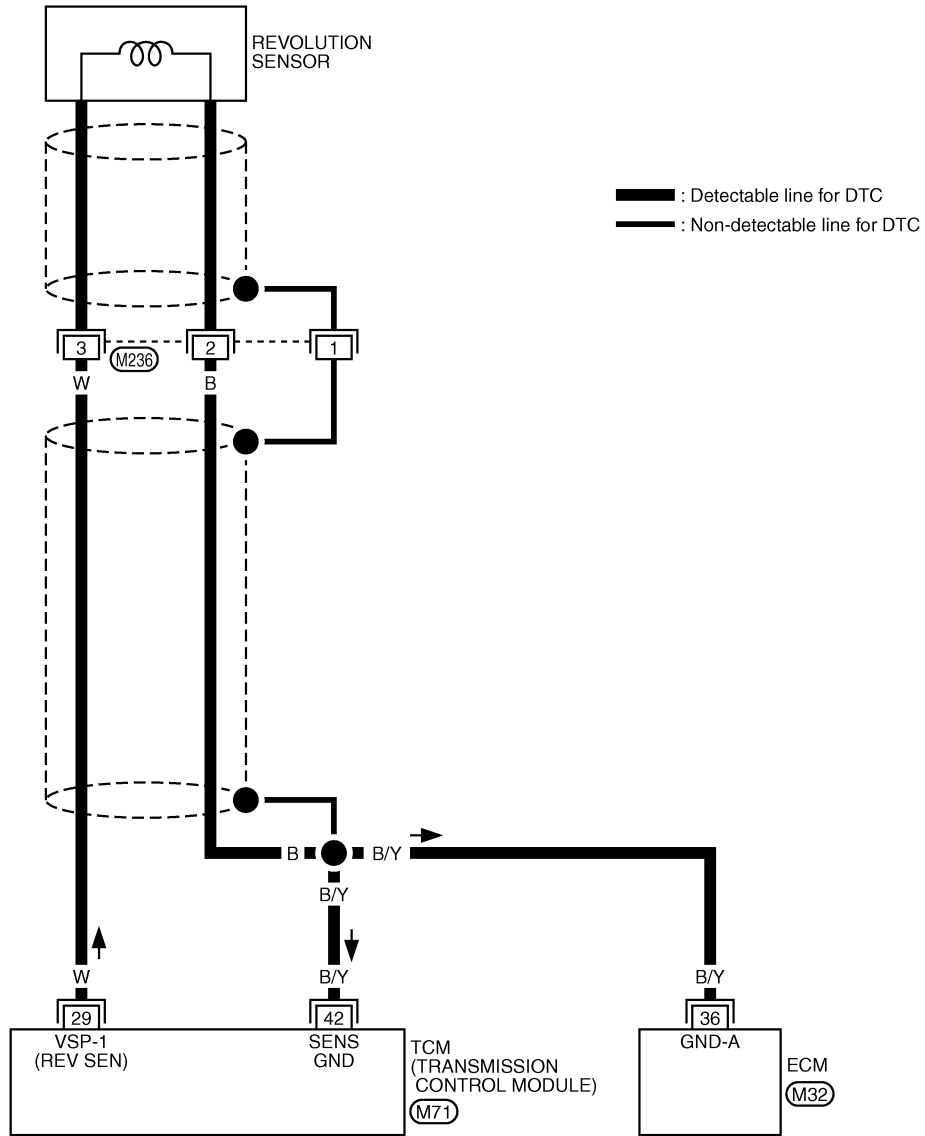
W

TROUBLE DIAGNOSIS FOR VHCL SPEED SEN·AT (REVOLUTION SENSOR)

Wiring Diagram — AT — VSSA/T

LHD MODEL WITH KA24DE ENGINE

AT-VSSA/T-01

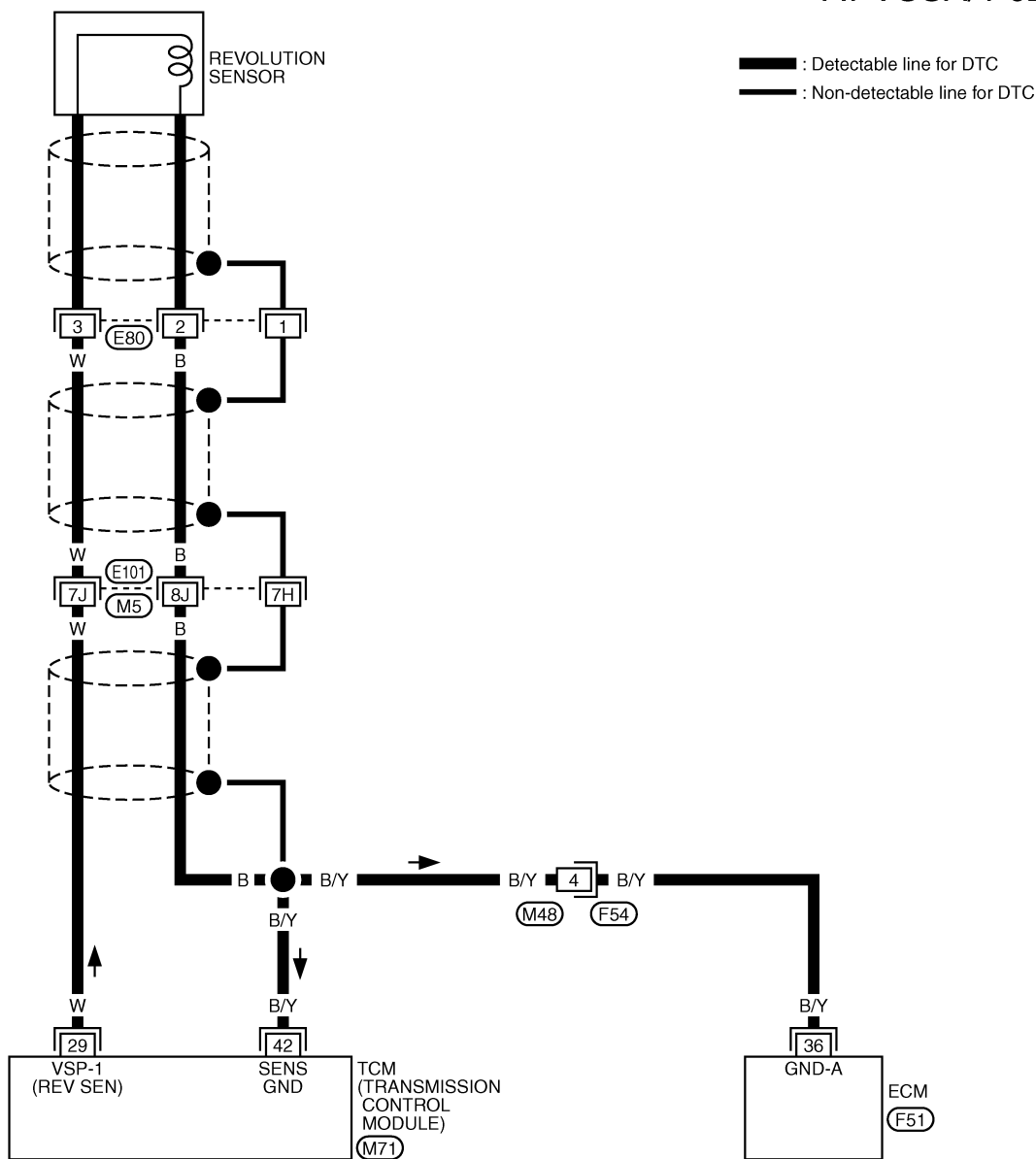


TROUBLE DIAGNOSIS FOR VHCL SPEED SEN·AT (REVOLUTION SENSOR)

Wiring Diagram — AT — VSSA/T (Cont'd)

RHD MODEL WITH KA24DE ENGINE

AT-VSSA/T-02



GI

MA

EM

LC

EC

FE

CL

MT

AT

TF

PD

FA

RA

BR

ST

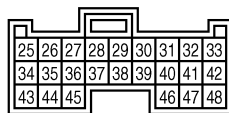
RS

BT

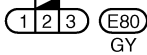
HA

EL

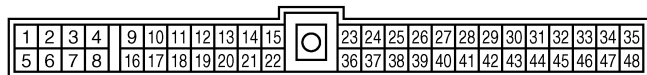
IDX



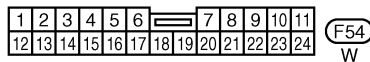
(M71)
GY



(E80)
GY



(F51)
W



(F54)
W

Refer to last page (Foldout page).

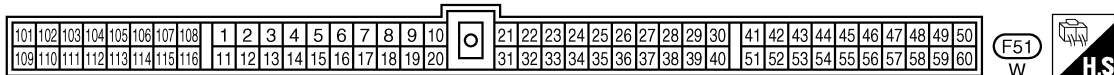
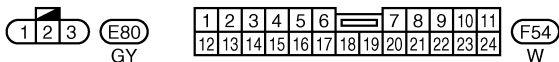
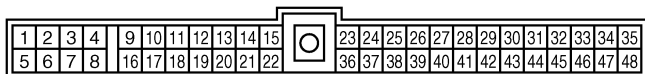
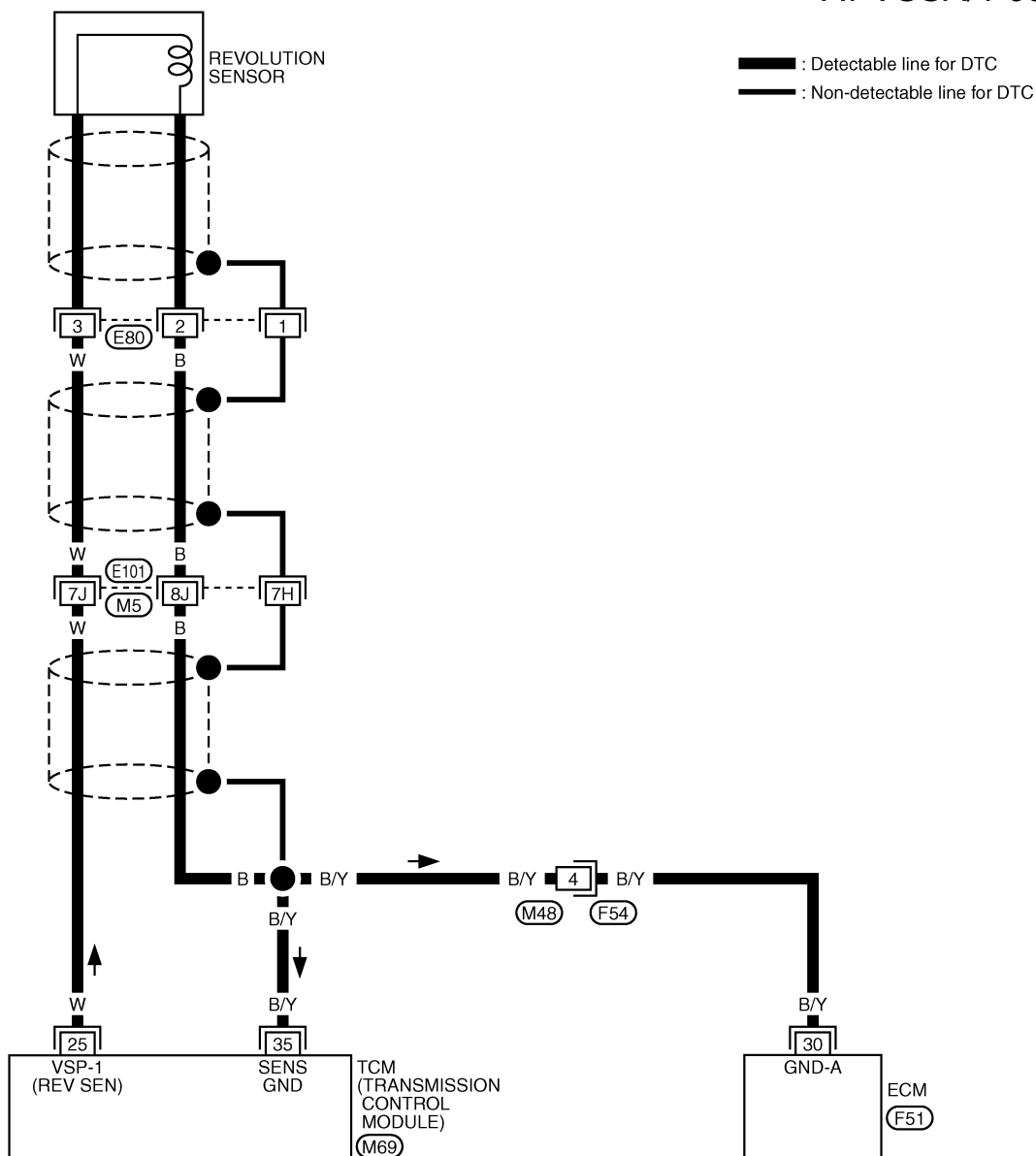
(M5), (E101)

TROUBLE DIAGNOSIS FOR VHCL SPEED SEN·AT (REVOLUTION SENSOR)

Wiring Diagram — AT — VSSA/T (Cont'd)

VG30E ENGINE MODEL

AT-VSSA/T-03



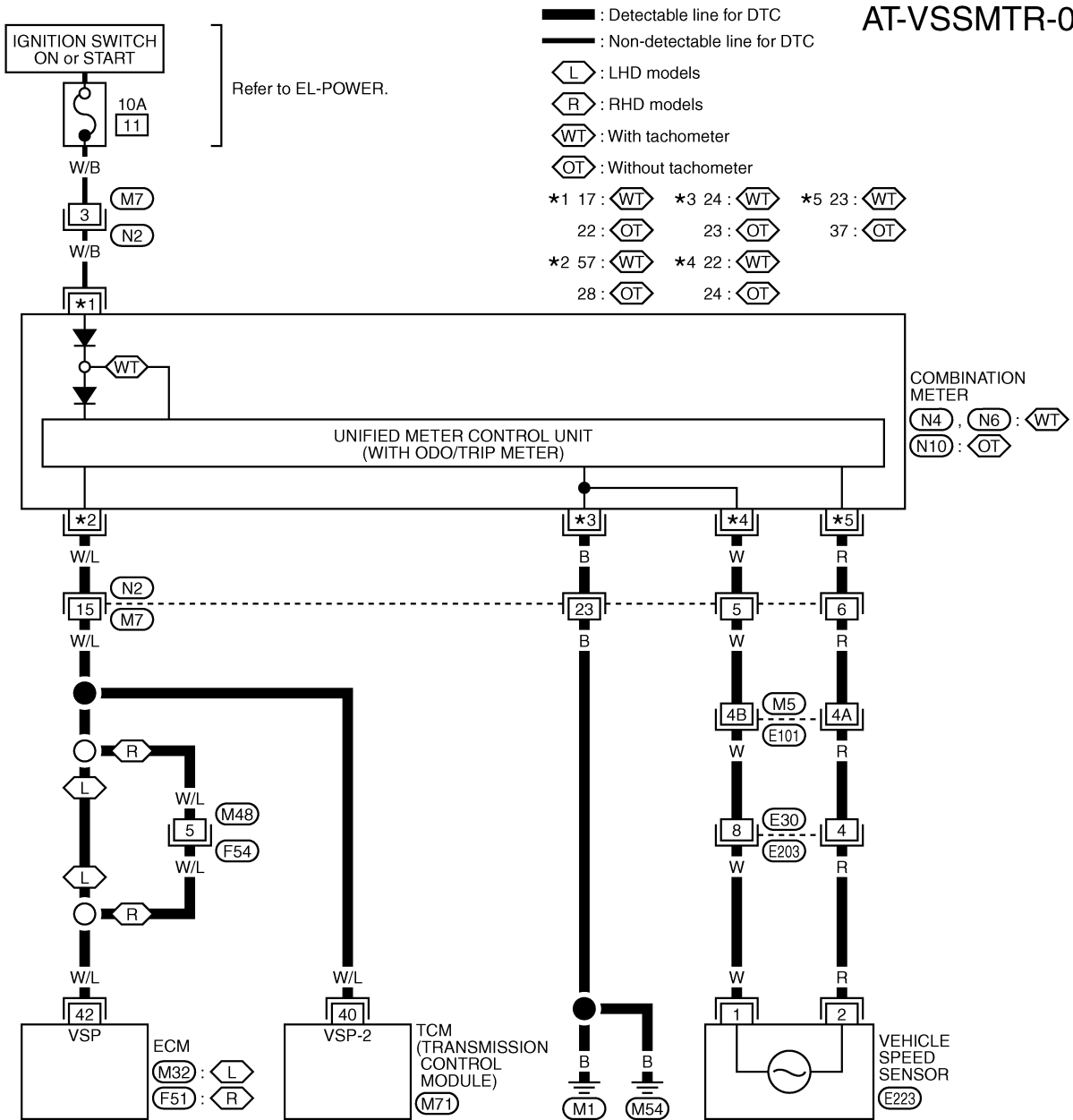
Refer to last page (Foldout page).

(M5), (E101)

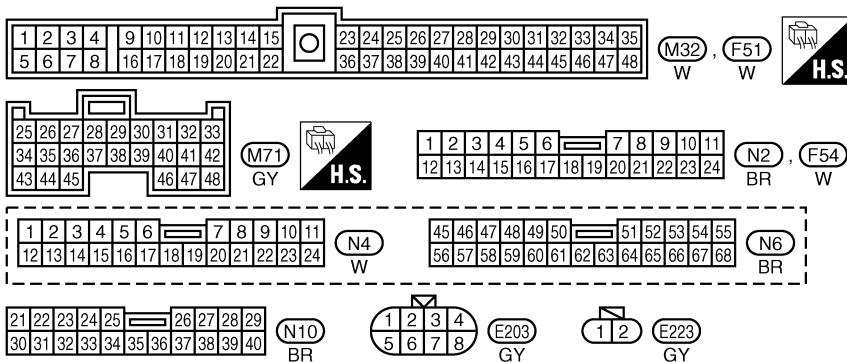
Wiring Diagram — AT — VSSMTR

KA24DE ENGINE MODEL

AT-VSSMTR-01



GI
MA
EM
LC
EC
FE
CL
MT
AT
TF
PD
FA
RA
BR
ST
RS
BT
HA
EL
IDX



Refer to last page (Foldout page).

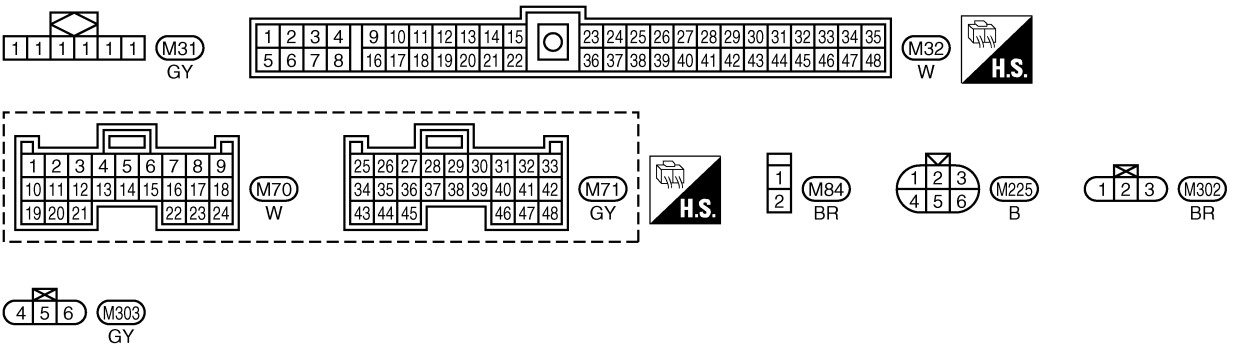
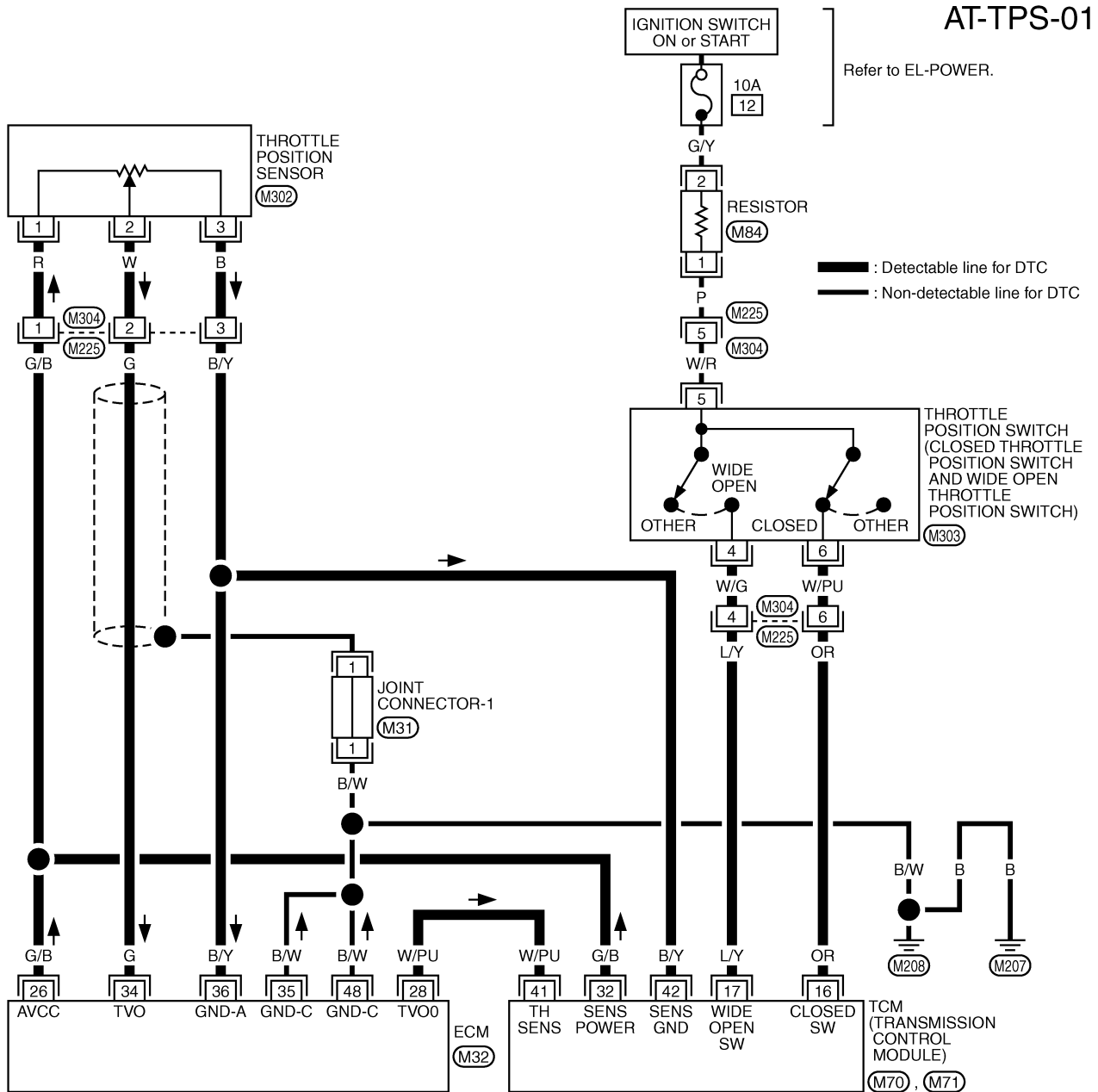
(M5), (E101)

TROUBLE DIAGNOSIS FOR THROTTLE POSI SEN

Wiring Diagram — AT — TPS

LHD MODEL WITH KA24DE ENGINE

GI
MA
EM
LC
EC
FE
CL
MT
AT
TF
PD
FA
RA
BR
ST
RS
BT
HA
EL
IDX

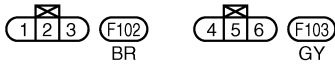
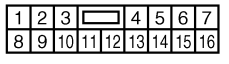
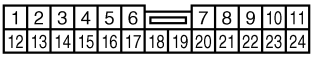
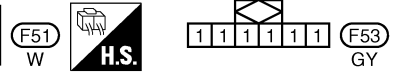
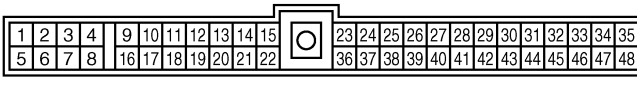
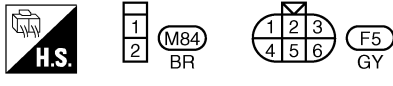
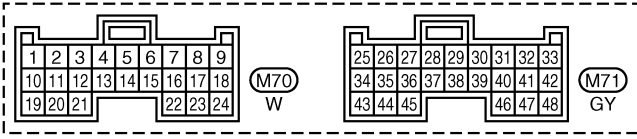
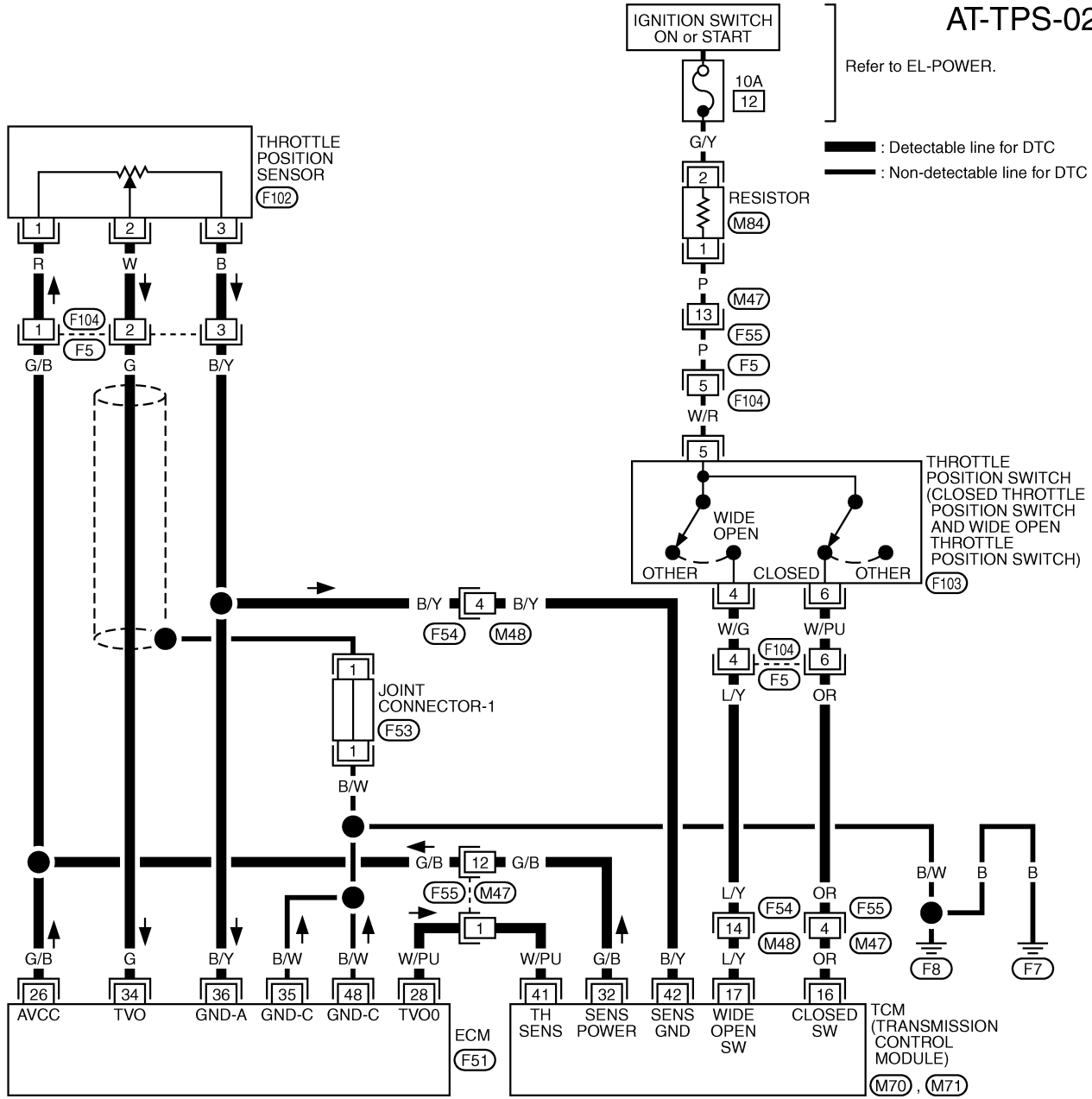


TROUBLE DIAGNOSIS FOR THROTTLE POSI SEN

Wiring Diagram — AT — TPS (Cont'd)

RHD MODEL WITH KA24DE ENGINE

AT-TPS-02



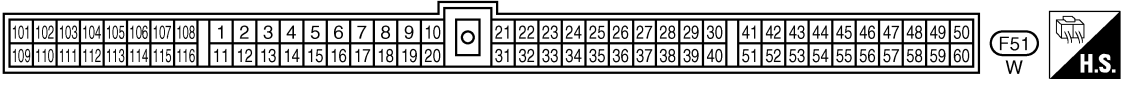
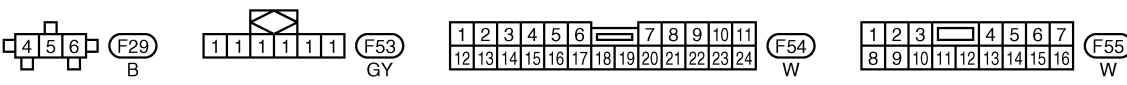
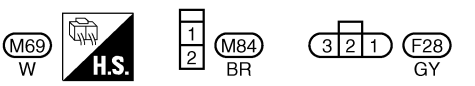
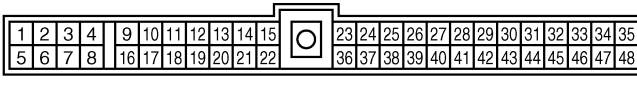
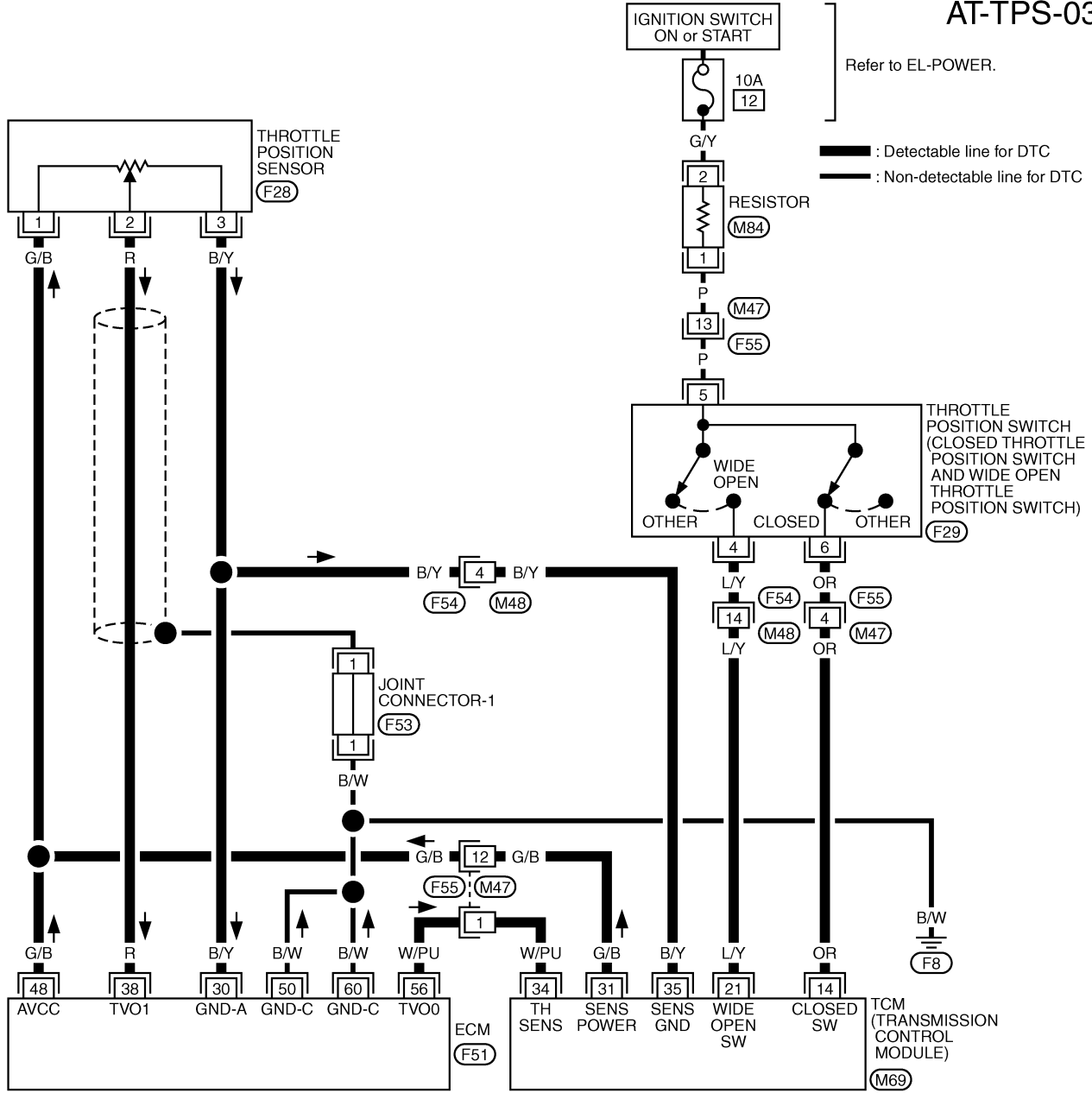
TROUBLE DIAGNOSIS FOR THROTTLE POSI SEN

Wiring Diagram — AT — TPS (Cont'd)

VG30E ENGINE MODEL

AT-TPS-03

GI
MA
EM
LC
EC
FE
CL
MT
AT
TF
PD
FA
RA
BR
ST
RS
BT
HA
EL
IDX

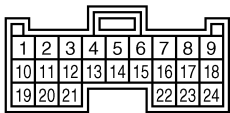
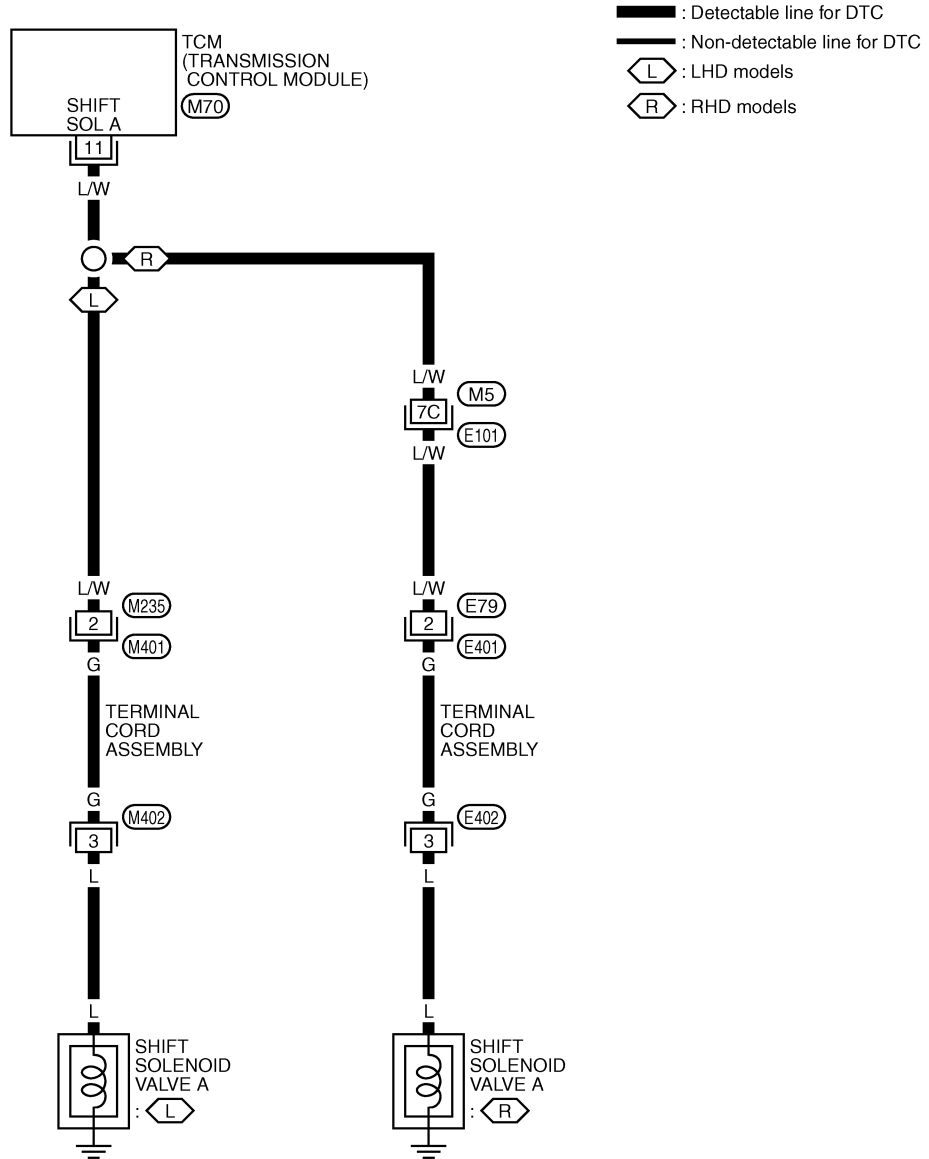


TROUBLE DIAGNOSIS FOR SHIFT SOLENOID/V A

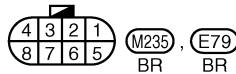
Wiring Diagram — AT — SSV/A

KA24DE ENGINE MODEL

AT-SSV/A-01



(M70)
W



Refer to last page (Foldout page).

(M5), (E101)

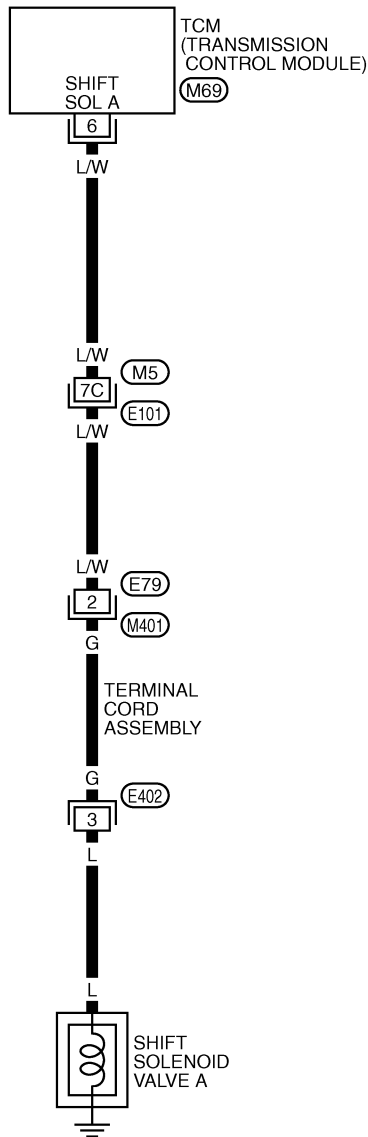
★: This connector is not shown in "HARNESS LAYOUT", EL section.

TROUBLE DIAGNOSIS FOR SHIFT SOLENOID/V A

Wiring Diagram — AT — SSV/A (Cont'd)

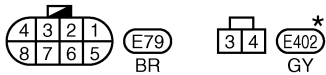
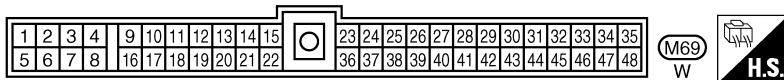
VG30E ENGINE MODEL

AT-SSV/A-02



: Detectable line for DTC
 : Non-detectable line for DTC

GI
MA
EM
LC
EC
FE
CL
MT
AT
TF
PD
FA
RA
BR
ST
RS
BT
HA
EL
IDX



*: This connector is not shown in "HARNESS LAYOUT", EL section.

Refer to last page (Foldout page).

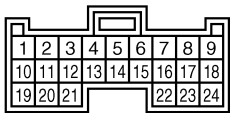
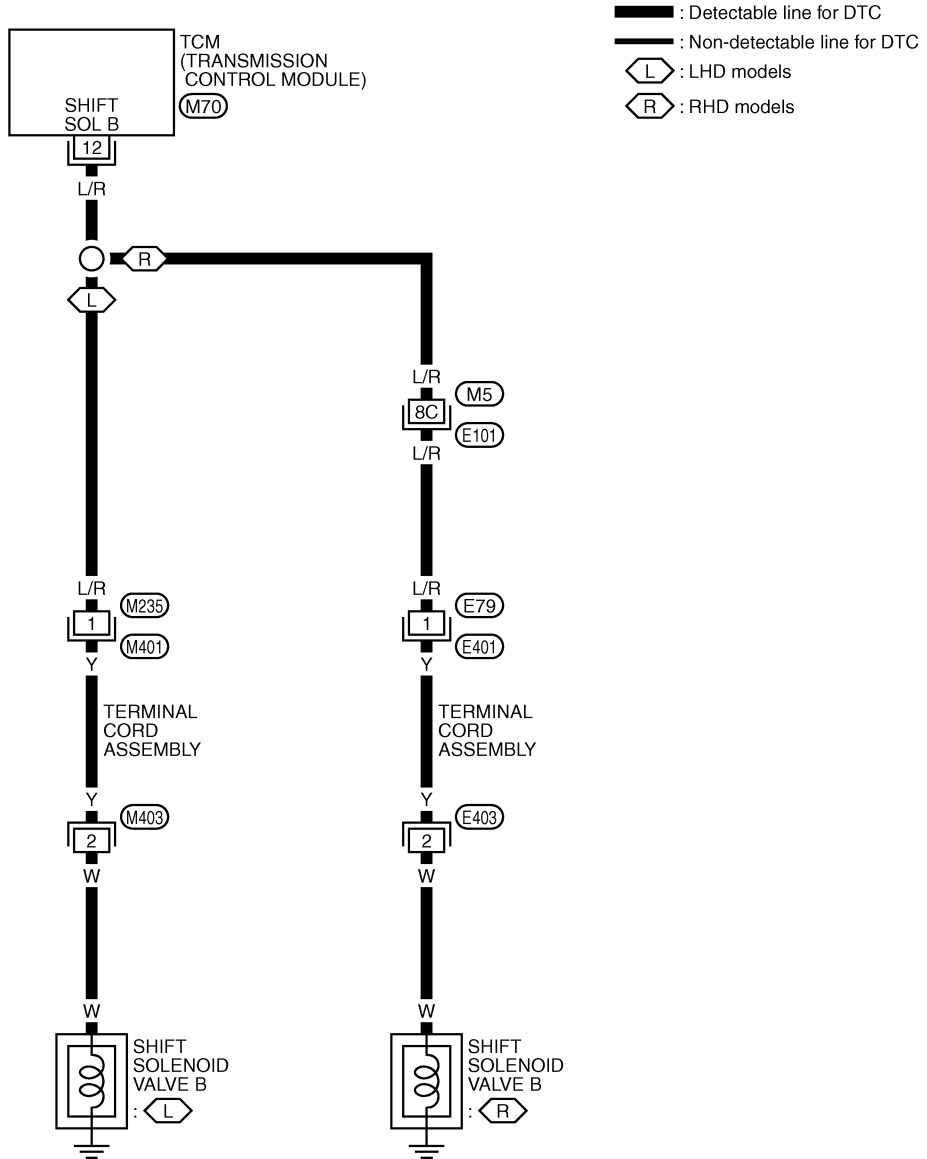
M5, E101

TROUBLE DIAGNOSIS FOR SHIFT SOLENOID/V B

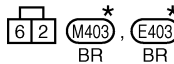
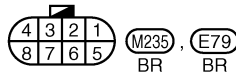
Wiring Diagram — AT — SSV/B

KA24DE ENGINE MODEL

AT-SSV/B-01



(M70)
W



Refer to last page (Foldout page).

(M5), (E101)

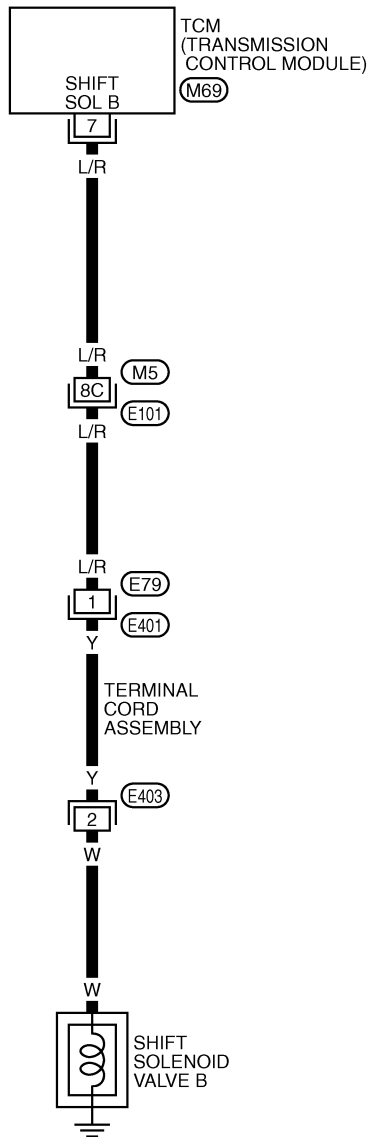
★: This connector is not shown in "HARNESS LAYOUT", EL section.

TROUBLE DIAGNOSIS FOR SHIFT SOLENOID/V B

Wiring Diagram — AT — SSV/B (Cont'd)

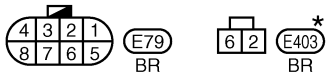
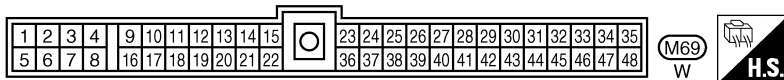
VG30E ENGINE MODEL

AT-SSV/B-02



: Detectable line for DTC
 : Non-detectable line for DTC

GI
MA
EM
LC
EC
FE
CL
MT
AT
TF
PD
FA
RA
BR
ST
RS
BT
HA
EL
IDX



*: This connector is not shown in "HARNES LAYOUT", EL section.

Refer to last page (Foldout page).

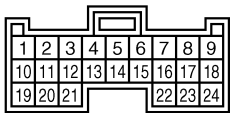
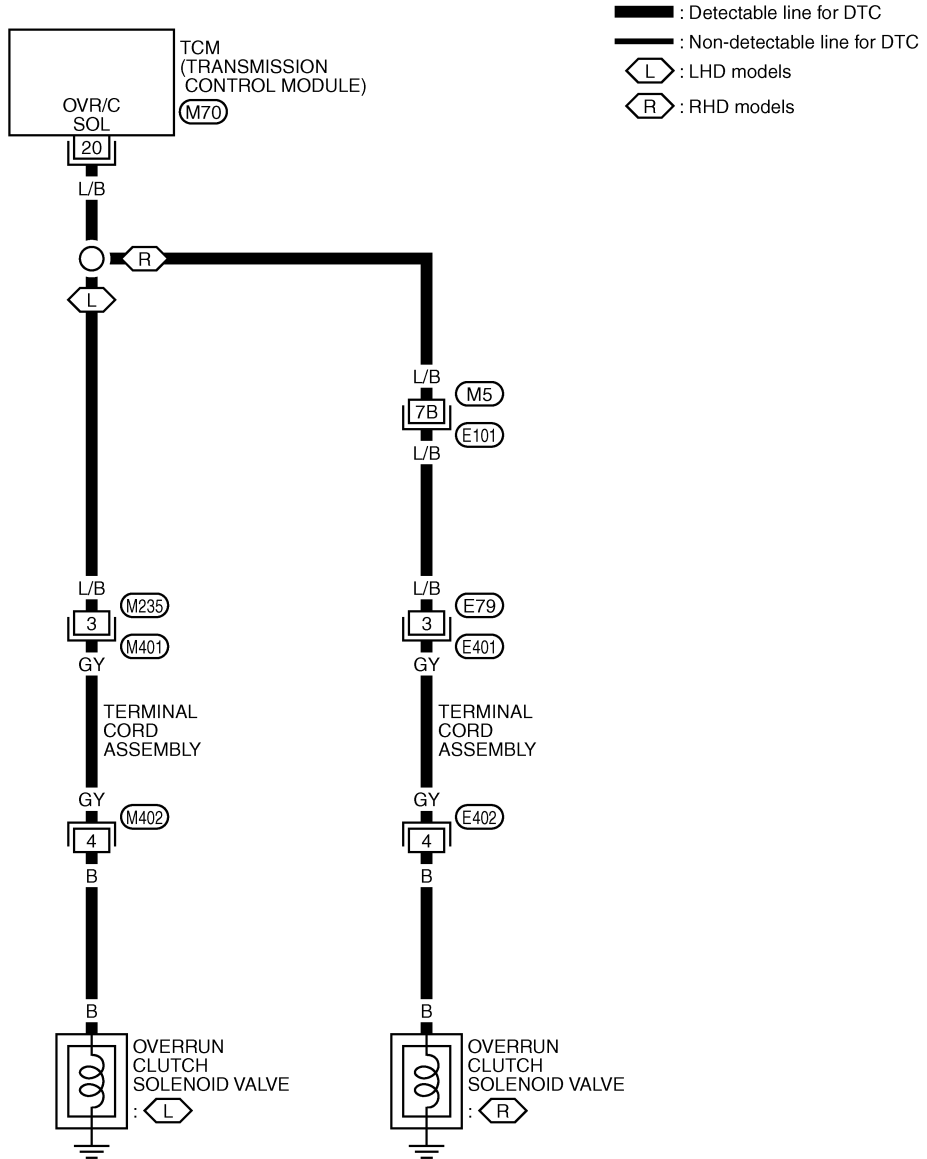
M5, E101

TROUBLE DIAGNOSIS FOR OVERRUN CLUTCH S/V

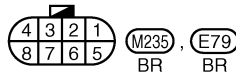
Wiring Diagram — AT — OVRCSV

KA24DE ENGINE MODEL

AT-OVRCSV-01



(M70)
W



Refer to last page (Foldout page).

(M5), (E101)



★: This connector is not shown in "HARNESS LAYOUT", EL section.

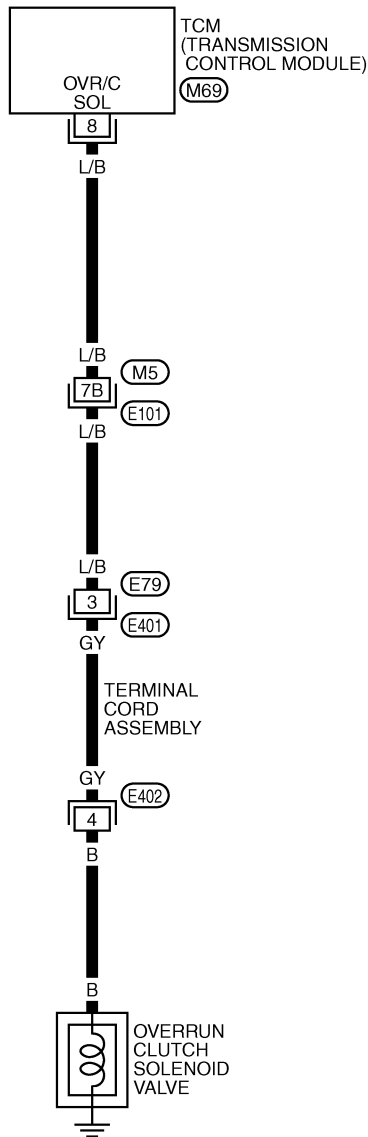
TROUBLE DIAGNOSIS FOR OVERRUN CLUTCH S/V

Wiring Diagram — AT — OVRCSV (Cont'd)

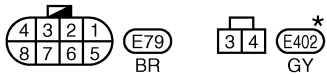
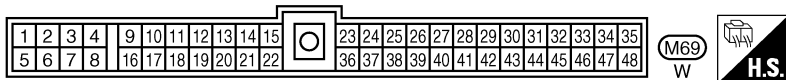
VG30E ENGINE MODEL

AT-OVRCSV-02

 : Detectable line for DTC
 : Non-detectable line for DTC



GI
MA
EM
LC
EC
FE
CL
MT
AT
TF
PD
FA
RA
BR
ST
RS
BT
HA
EL
IDX



*: This connector is not shown in "HARNESS LAYOUT", EL section.

Refer to last page (Foldout page).

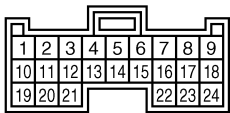
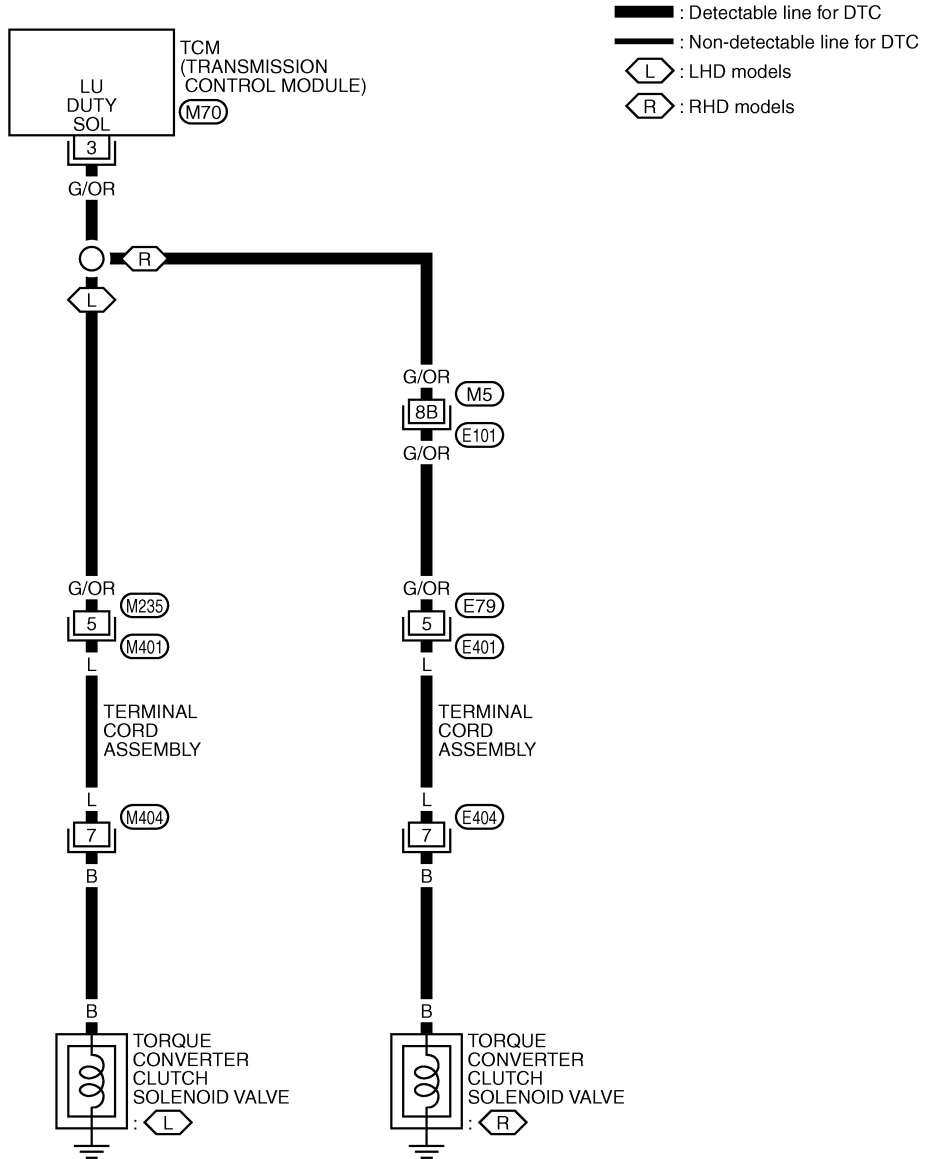
M5, E101

TROUBLE DIAGNOSIS FOR T/C CLUTCH SOL/V

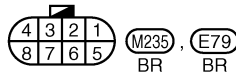
Wiring Diagram — AT — TCV

KA24DE ENGINE MODEL

AT-TCV-01



(M70)
W



Refer to last page (Foldout page).

(M5), (E101)

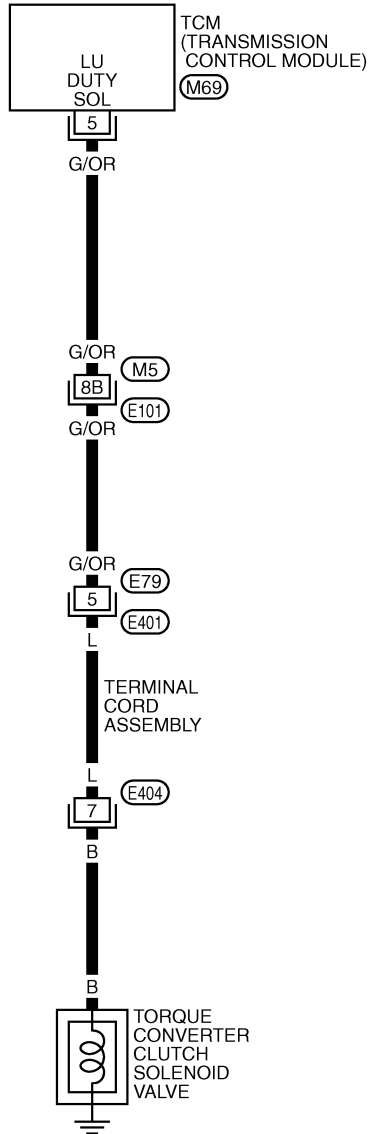
★: This connector is not shown in "HARNESS LAYOUT", EL section.

TROUBLE DIAGNOSIS FOR T/C CLUTCH SOL/V

Wiring Diagram — AT — TCV (Cont'd)

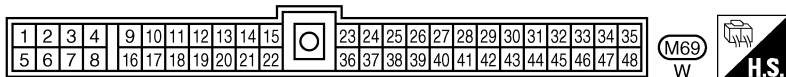
VG30E ENGINE MODEL

AT-TCV-02



— : Detectable line for DTC
 — : Non-detectable line for DTC

GI
 MA
 EM
 LC
 EC
 FE
 CL
 MT
AT
 TF
 PD
 FA
 RA
 BR
 ST
 RS
 BT
 HA
 EL
 IDX



Refer to last page (Foldout page).

(M5), (E101)

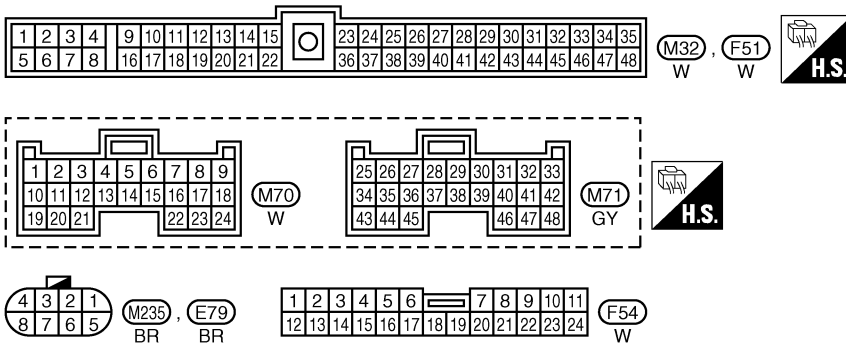
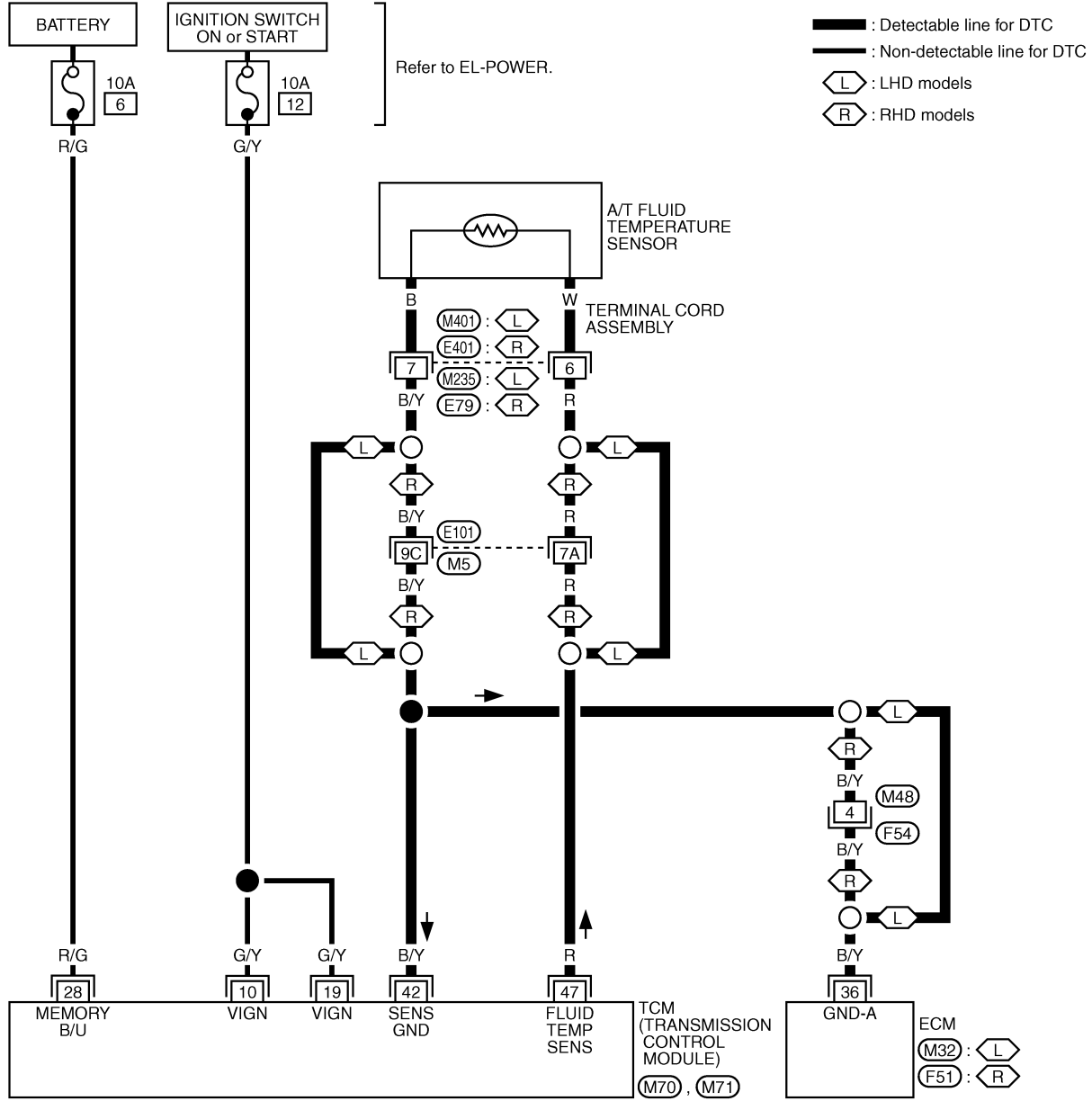
*: This connector is not shown in "HARNES LAYOUT", EL section.

TROUBLE DIAGNOSIS FOR BATT/FLUID TEMP SEN

Wiring Diagram — AT — BA/FTS

KA24DE ENGINE MODEL

AT-BA/FTS-01



Refer to last page (Foldout page).

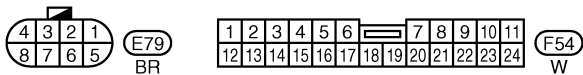
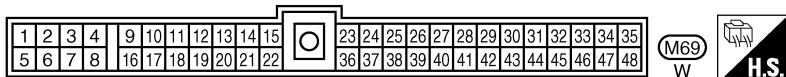
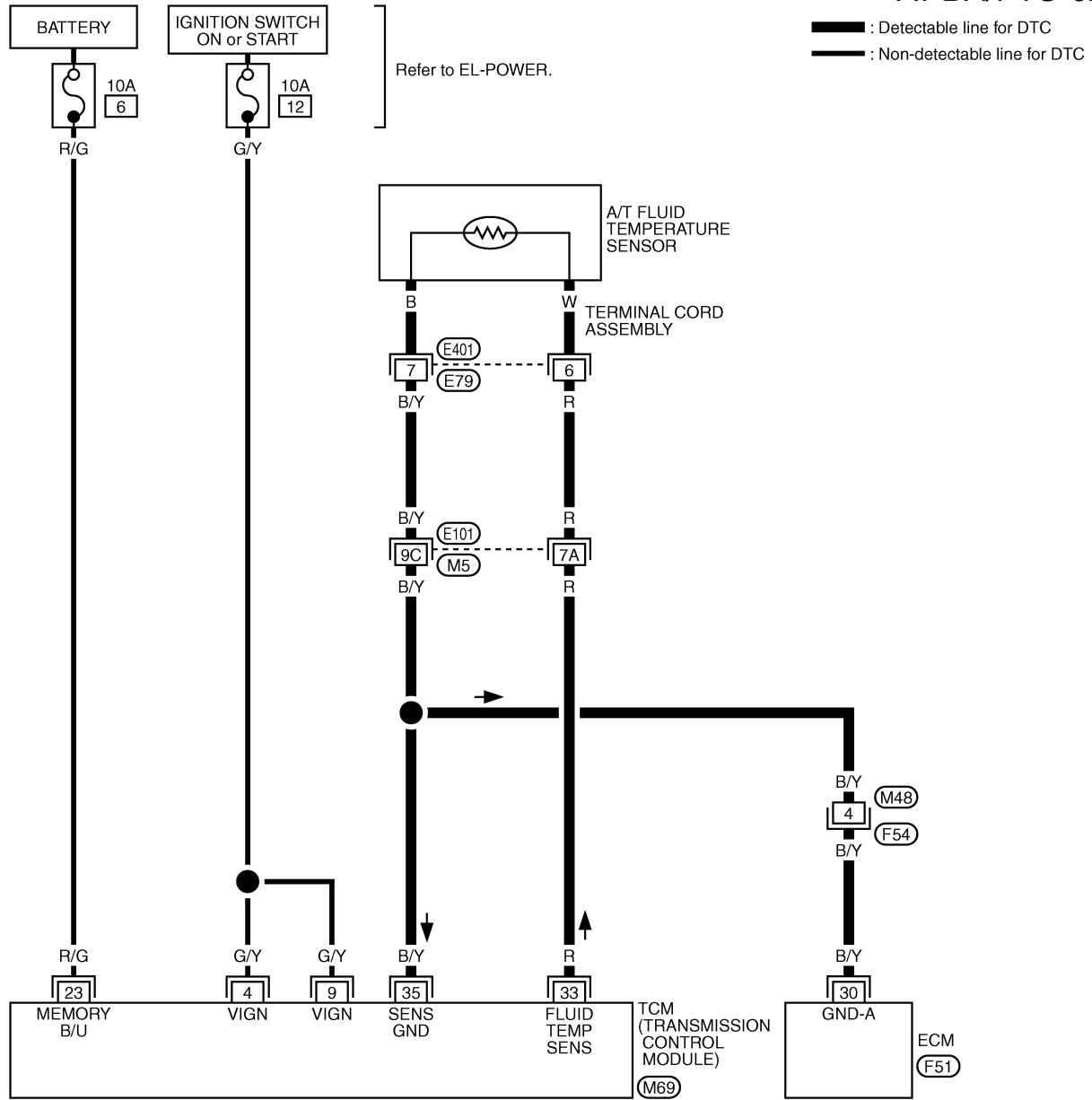
(M5), (E101)

TROUBLE DIAGNOSIS FOR BATT/FLUID TEMP SEN

Wiring Diagram — AT — BA/FTS (Cont'd)

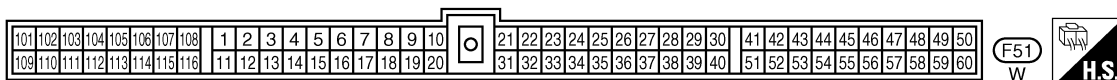
VG30E ENGINE MODEL

AT-BA/FTS-02



Refer to last page (Foldout page).

(M5), (E101)



GI
 MA
 EM
 LC
 EC
 FE
 CL
 MT
AT
 TF
 PD
 FA
 RA
 BR
 ST
 RS
 BT
 HA
 EL
 IDX

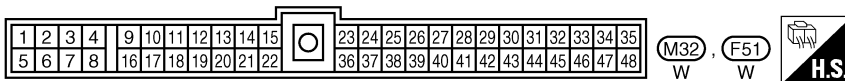
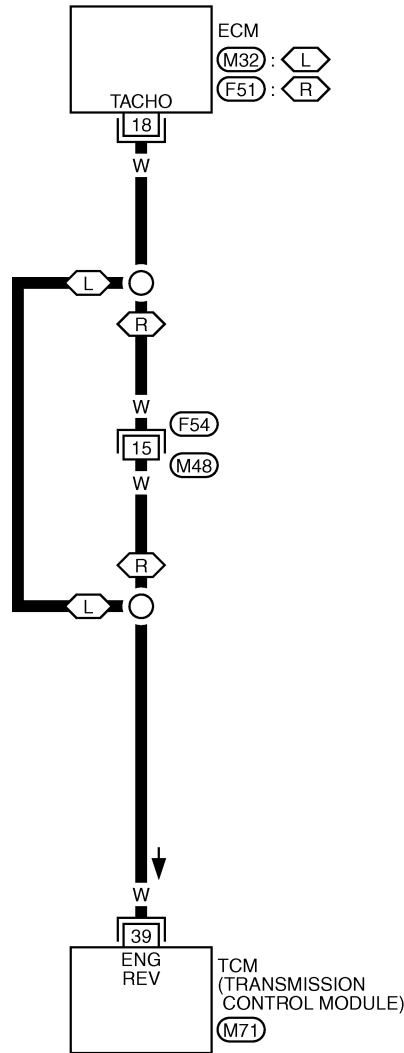
TROUBLE DIAGNOSIS FOR ENGINE SPEED SIG

Wiring Diagram — AT — ENGSS

KA24DE ENGINE MODEL

AT-ENGSS-01

- : Detectable line for DTC
- : Non-detectable line for DTC
- L** : LHD models
- R** : RHD models





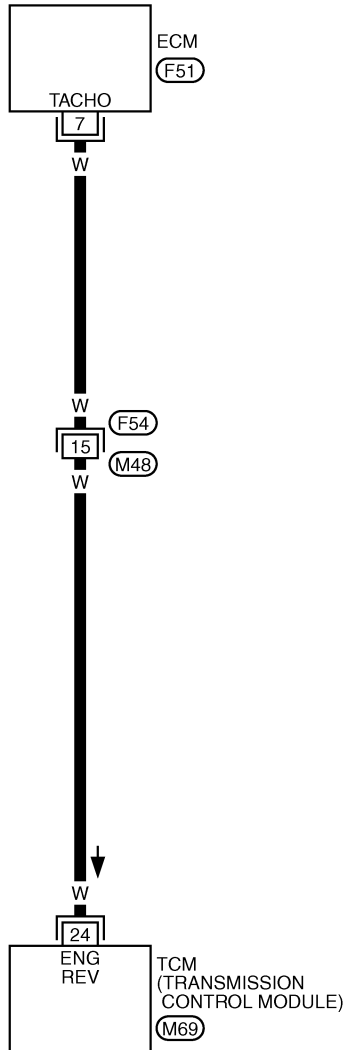
TROUBLE DIAGNOSIS FOR ENGINE SPEED SIG

Wiring Diagram — AT — ENGSS (Cont'd)

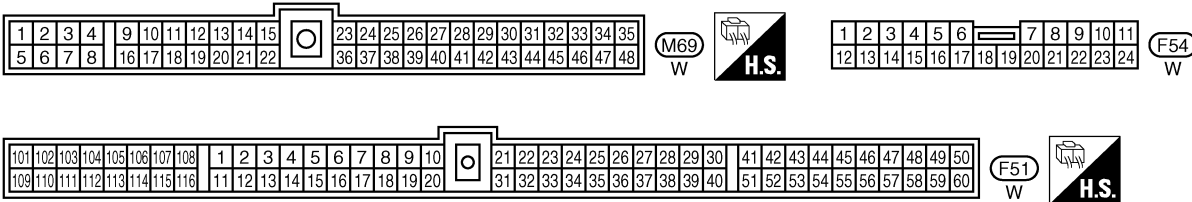
VG30E ENGINE MODEL

AT-ENGSS-02

 : Detectable line for DTC
 : Non-detectable line for DTC



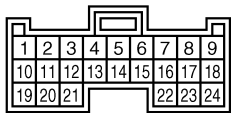
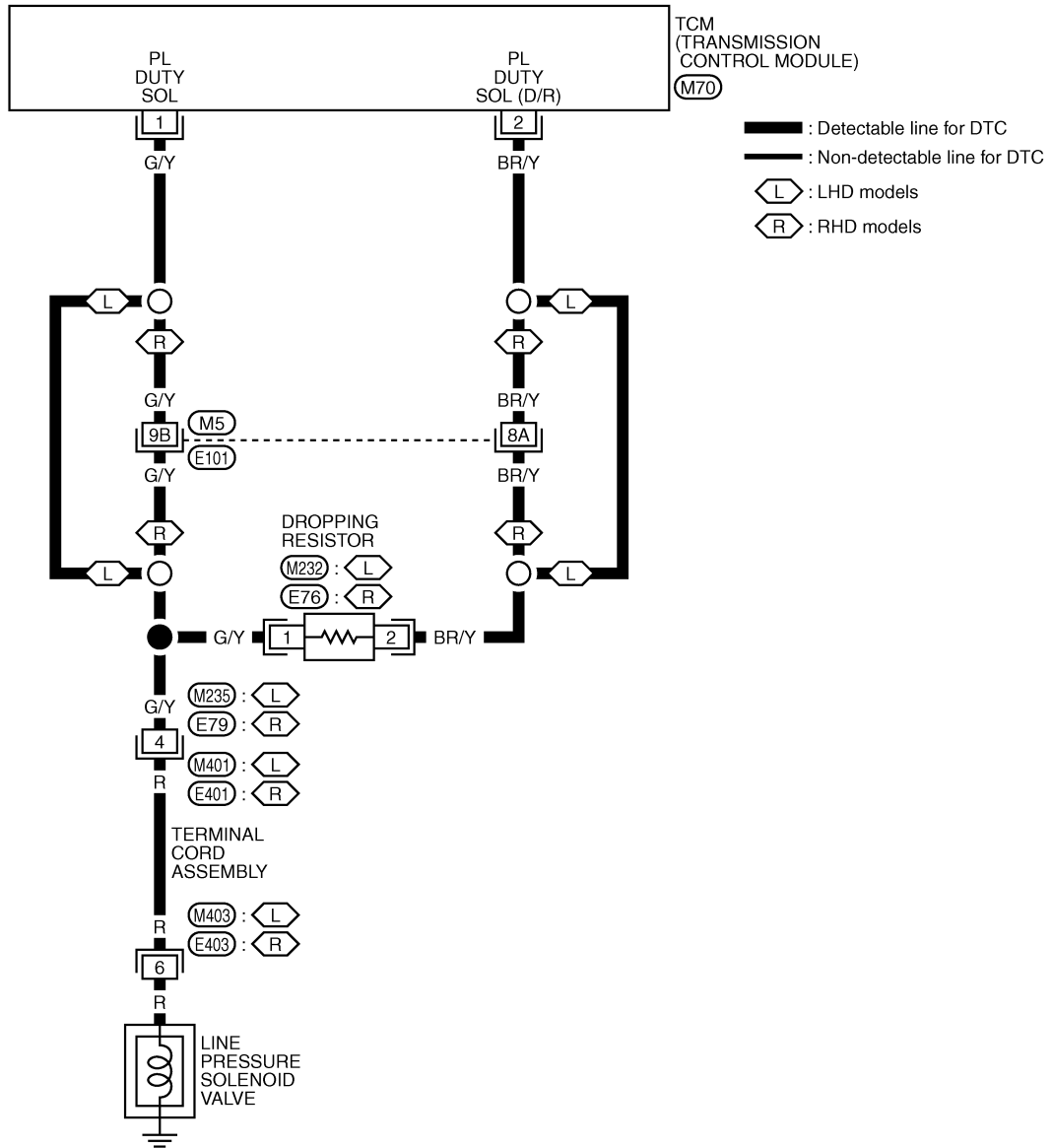
GI
MA
EM
LC
EC
FE
CL
MT
AT
TF
PD
FA
RA
BR
ST
RS
BT
HA
EL
IDX



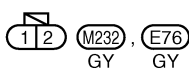
Wiring Diagram — AT — LPSV

KA24DE ENGINE MODEL

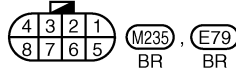
AT-LPSV-01



(M70)
W



(1) (2) (M232) (E76)
GY GY



(4) (3) (2) (1) (M235) (E79)
(8) (7) (6) (5) BR BR



(6) (2) (M403) (E403)
BR BR

*: This connector is not shown in "HARNESS LAYOUT", EL section.

Refer to last page (Foldout page).

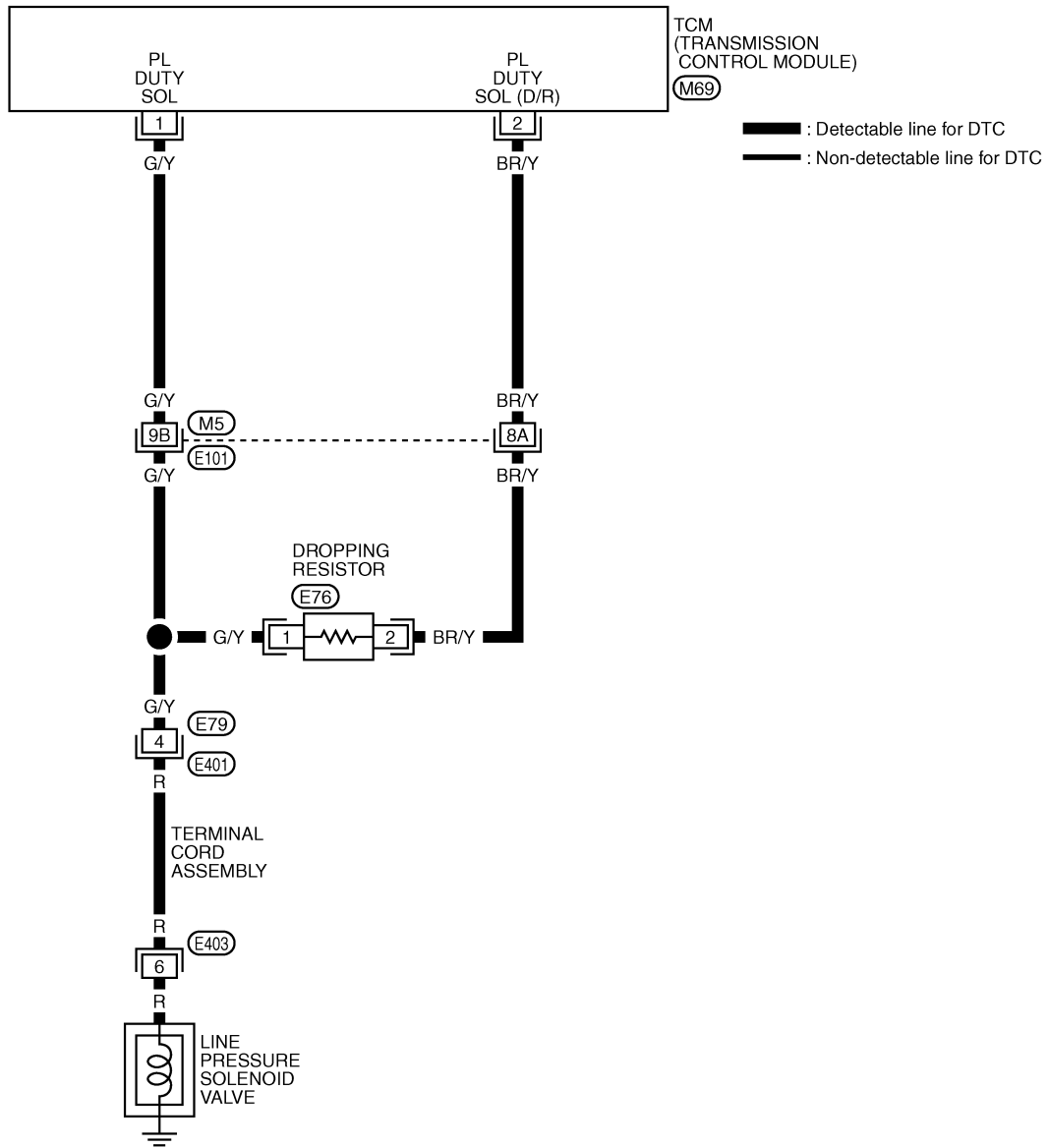
(M5), (E101)

TROUBLE DIAGNOSIS FOR LINE PRESSURE S/V

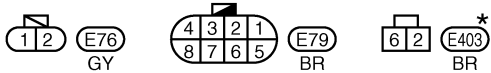
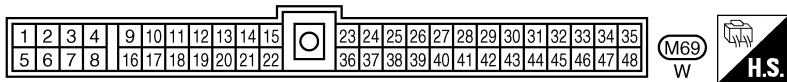
Wiring Diagram — AT — LPSV (Cont'd)

VG30E ENGINE MODEL

AT-LPSV-02



GI
MA
EM
LC
EC
FE
CL
MT
AT
TF
PD
FA
RA
BR
ST
RS
BT
HA
EL
IDX



*: This connector is not shown in "HARNESS LAYOUT", EL section.

Refer to last page (Foldout page).

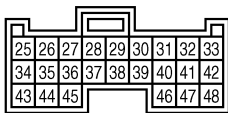
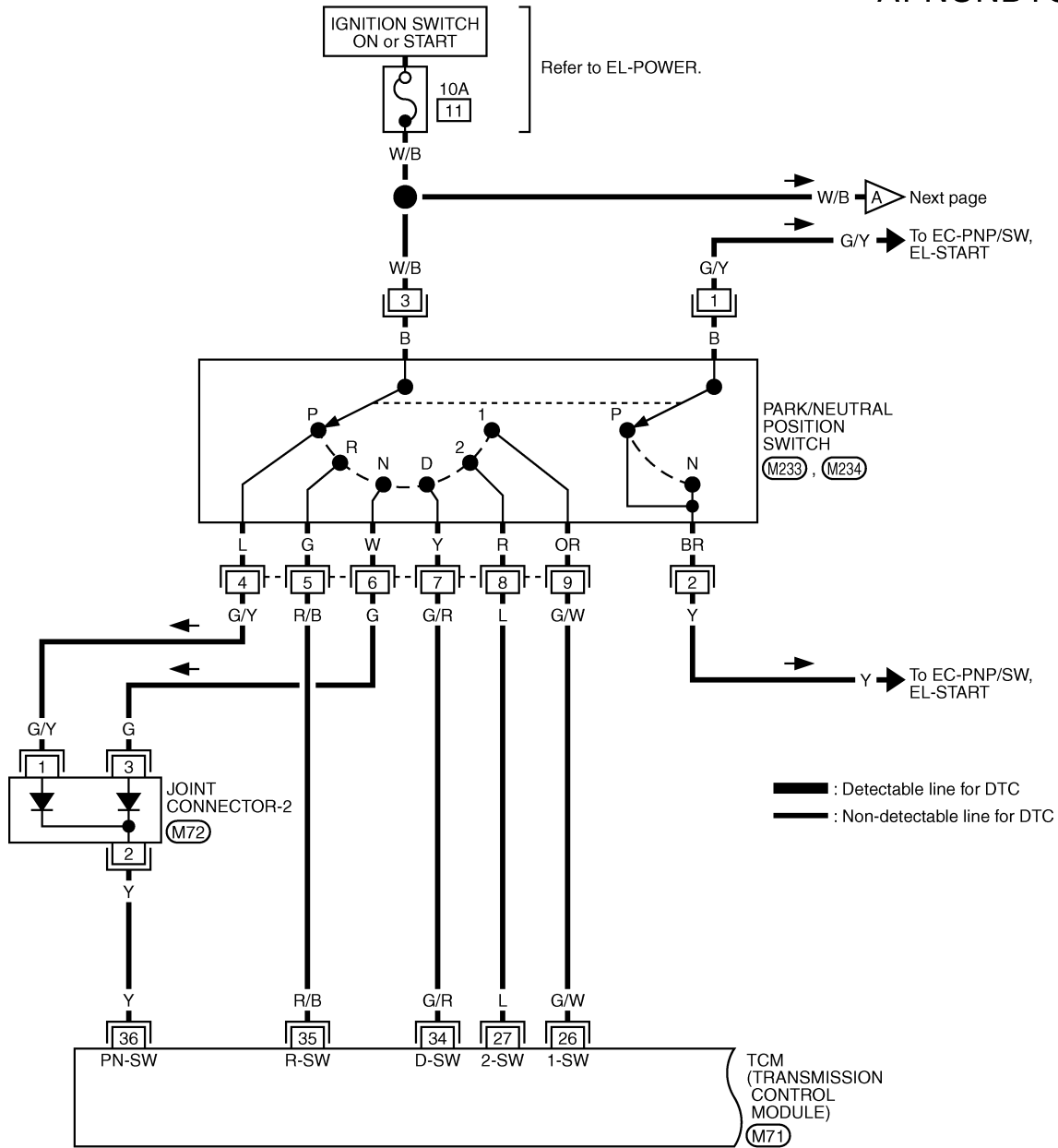
(M5), (E101)

TROUBLE DIAGNOSES FOR SYMPTOMS

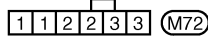
Wiring Diagram — AT — NONDTC

LHD MODEL WITH KA24DE ENGINE

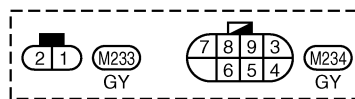
AT-NONDTC-01



(M71)
GY



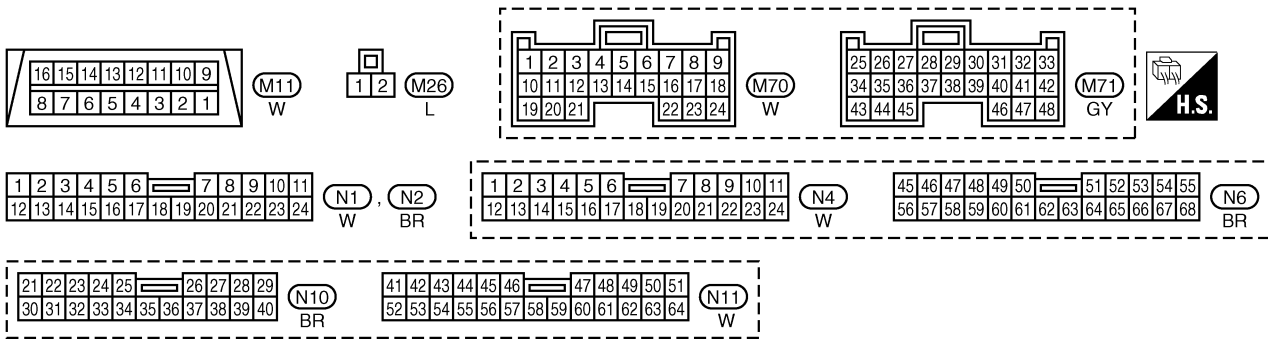
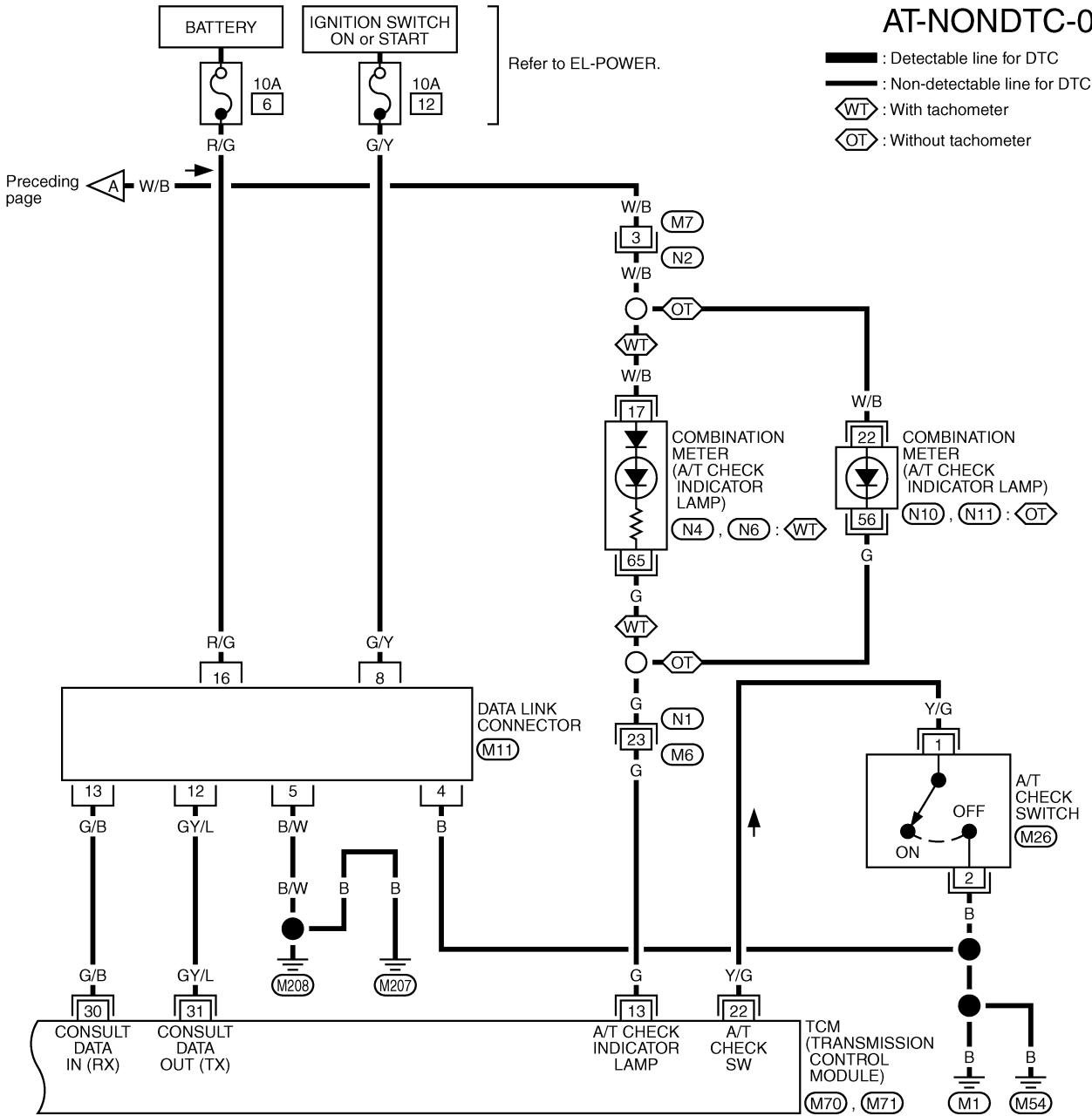
(M72)



TROUBLE DIAGNOSES FOR SYMPTOMS

Wiring Diagram — AT — NONDTC (Cont'd)

AT-NONDTC-02



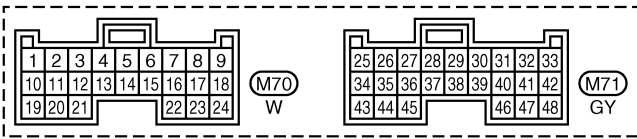
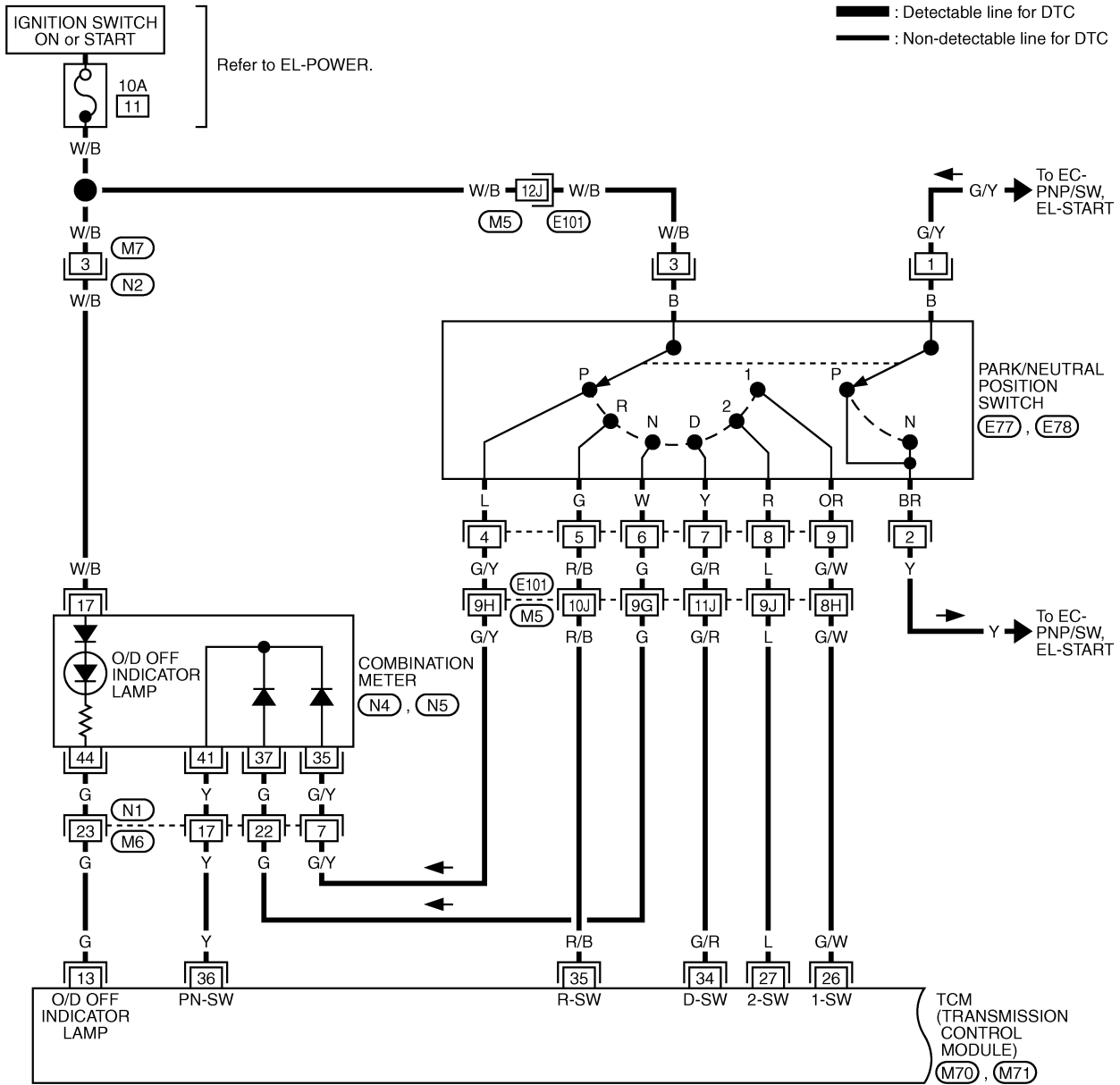
GI
MA
EM
LC
EC
FE
CL
MT
AT
TF
PD
FA
RA
BR
ST
RS
BT
HA
EL
IDX

TROUBLE DIAGNOSES FOR SYMPTOMS

Wiring Diagram — AT — NONDTC (Cont'd)

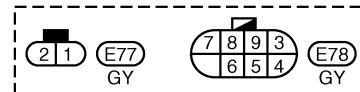
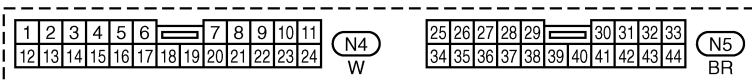
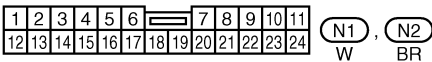
RHD MODEL WITH KA24DE ENGINE

AT-NONDTC-03



Refer to last page (Foldout page).



M5, E101

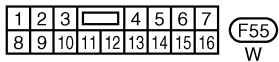
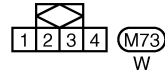
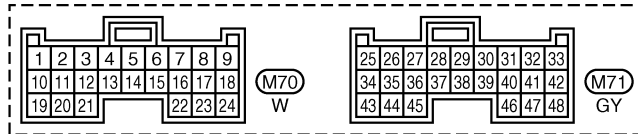
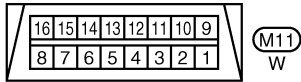
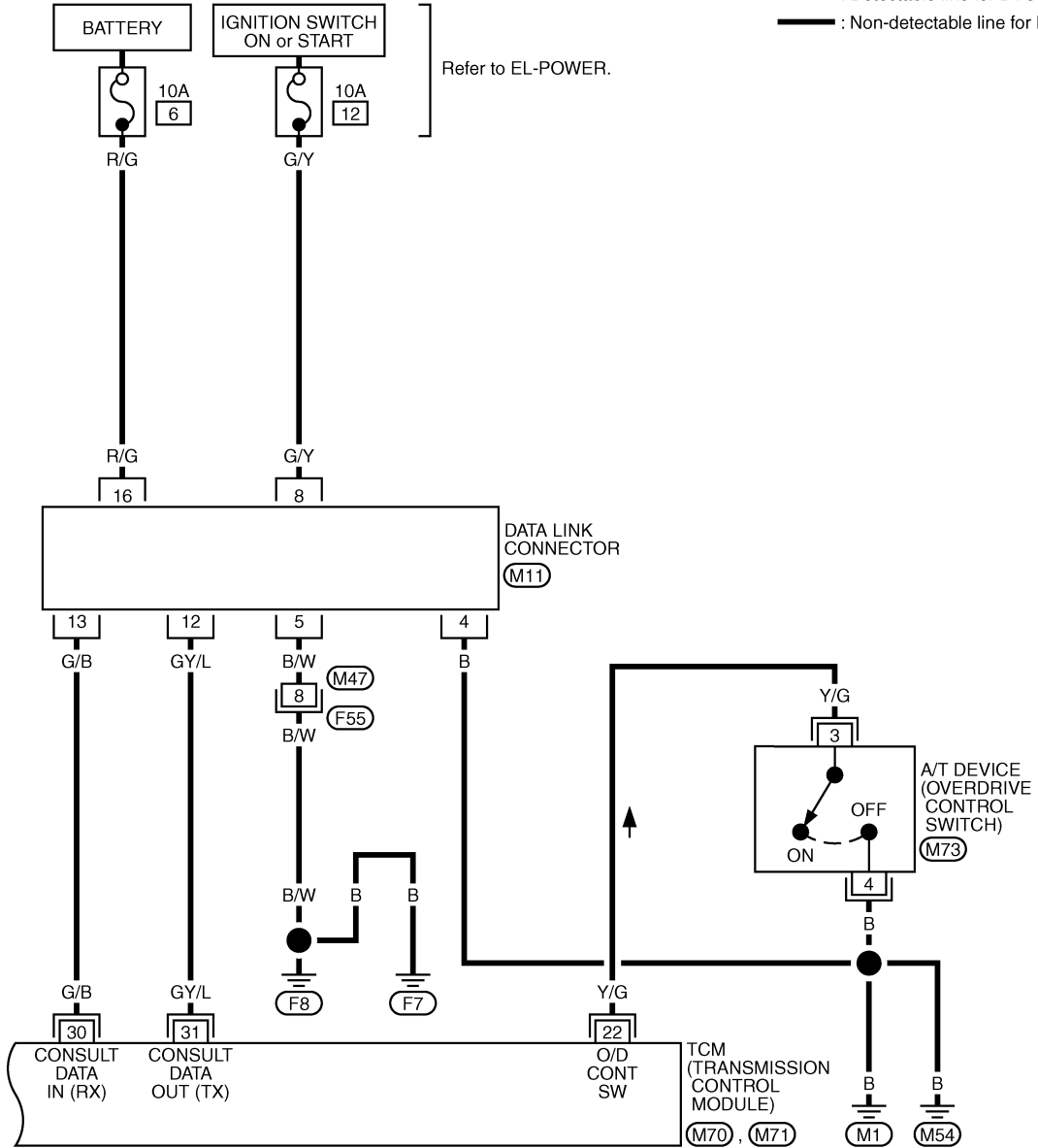


TROUBLE DIAGNOSES FOR SYMPTOMS

Wiring Diagram — AT — NONDTC (Cont'd)

AT-NONDTC-04

 : Detectable line for DTC
 : Non-detectable line for DTC



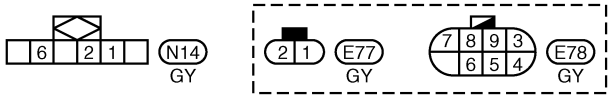
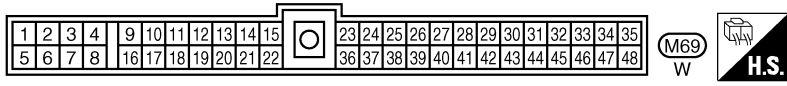
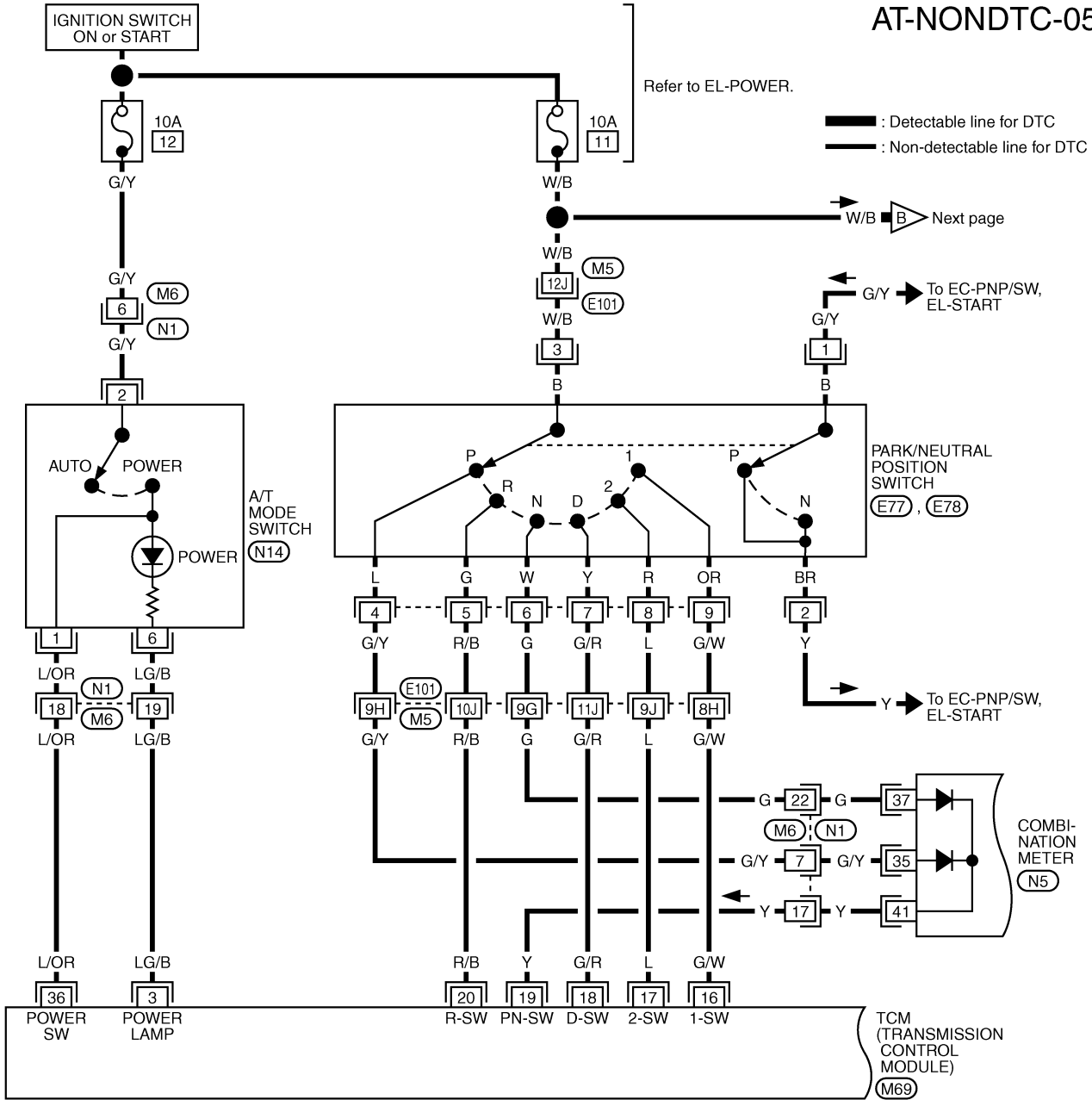
GI
MA
EM
LC
EC
FE
CL
MT
AT
TF
PD
FA
RA
BR
ST
RS
BT
HA
EL
IDX

TROUBLE DIAGNOSES FOR SYMPTOMS

Wiring Diagram — AT — NONDTC (Cont'd)

VG30E ENGINE MODEL

AT-NONDTC-05

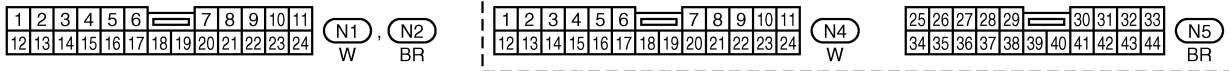
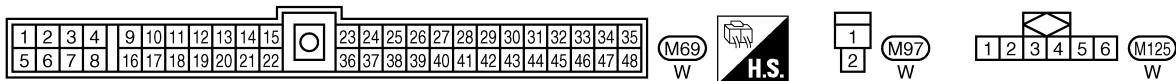
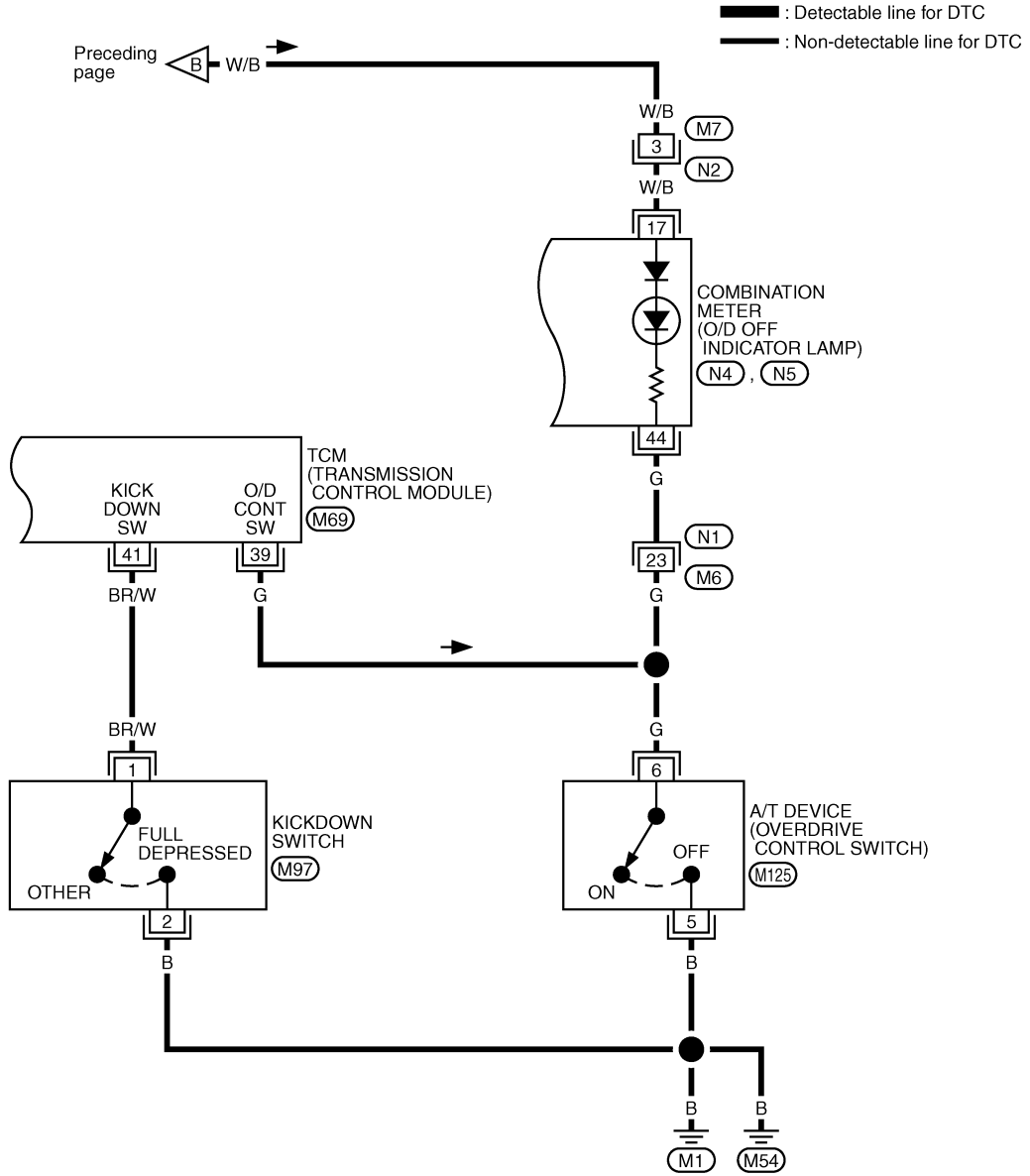


Refer to last page (Foldout page).
 M5, E101

TROUBLE DIAGNOSES FOR SYMPTOMS

Wiring Diagram — AT — NONDTC (Cont'd)

AT-NONDTC-06

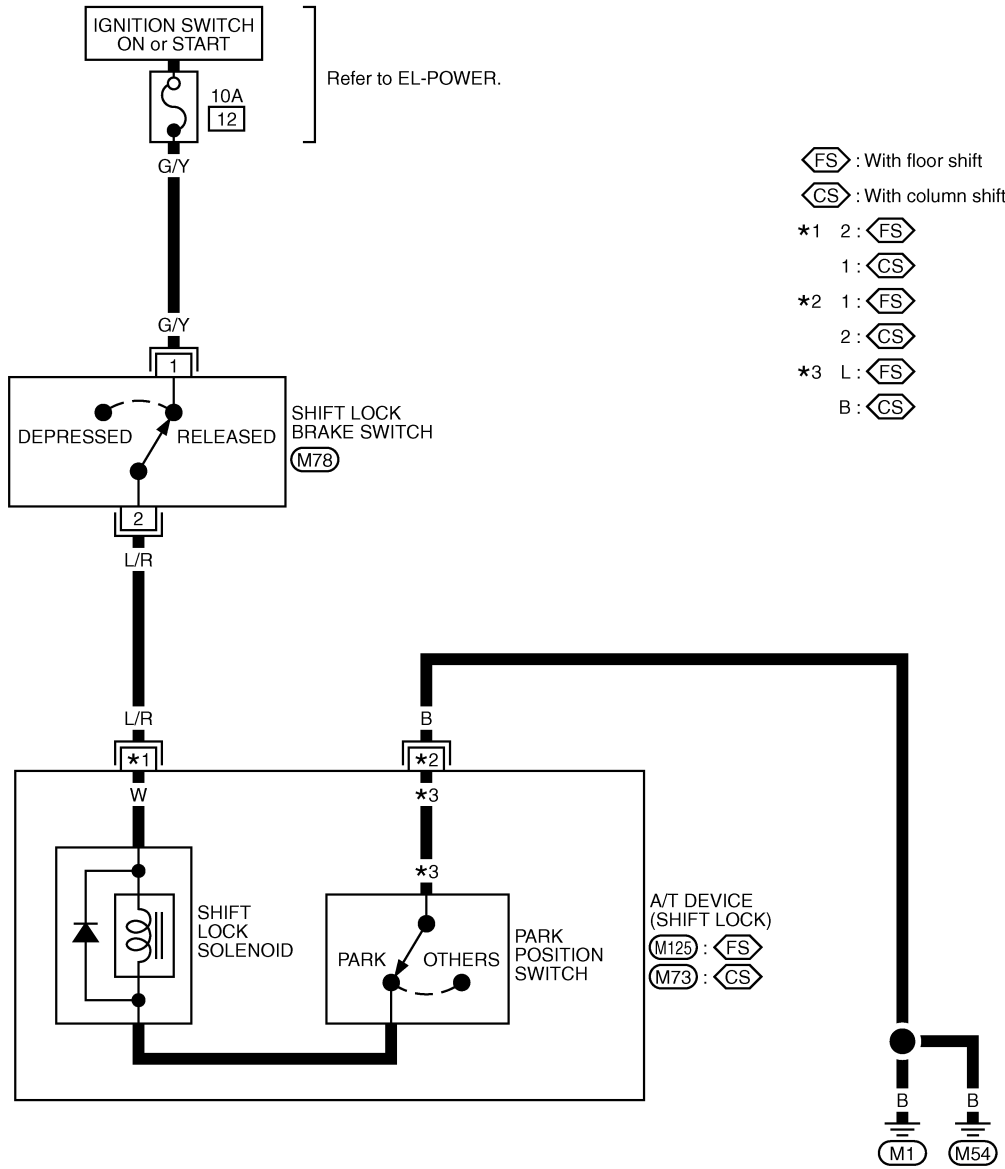


GI
MA
EM
LC
EC
FE
CL
MT
AT
TF
PD
FA
RA
BR
ST
RS
BT
HA
EL
IDX

A/T SHIFT LOCK SYSTEM

Wiring Diagram — SHIFT —

AT-SHIFT-01



- <FS> : With floor shift
- <CS> : With column shift
- *1 2 : <FS>
- 1 : <CS>
- *2 1 : <FS>
- 2 : <CS>
- *3 L : <FS>
- B : <CS>

