

ELECTRICAL SYSTEM

GI

MA

EM

LC

EC

FE

CL

MT

AT

TF

PD

FA

RA

BR

ST

RS

BT

HA

EL

IDX

SECTION EL

MODIFICATION NOTICE:

- Wiring diagrams have been changed.
- Harness layouts have been changed.
- Fog lamp system has been changed.
- CD auto-changer has been added.

CONTENTS

PRECAUTIONS	3	Wiring Diagram - R/FOG -/RHD Models with Front Fog Lamp	29
Supplemental Restraint System (SRS) "AIR BAG" and "SEAT BELT PRE-TENSIONER"	3	INTERIOR ROOM LAMP	30
POWER SUPPLY ROUTING	4	Wiring Diagram - ROOM/L -	30
Schematic	4	ILLUMINATION	31
Wiring Diagram - POWER -	5	Wiring Diagram - ILL -/LHD Models	31
STARTING SYSTEM	12	Wiring Diagram - ILL -/RHD Models	33
Wiring Diagram - START -/LHD A/T Models for Diesel Engine	12	METER AND GAUGES	35
CHARGING SYSTEM	13	Combination Meter/With Tachometer	35
Wiring Diagram - CHARGE -/A/T Models for Diesel Engine	13	Combination Meter/Without Tachometer	36
COMBINATION SWITCH	14	Schematic/With Tachometer	37
Check	14	Schematic/Without Tachometer	38
HEADLAMP - Headlamp Aiming Control -	16	Wiring Diagram - METER -/Gasoline Engine with Tachometer	39
Wiring Diagram - H/AIM -	16	Wiring Diagram - METER -/LHD Diesel Engine Models with Tachometer	41
PARKING, LICENSE AND TAIL LAMPS	18	Wiring Diagram - METER -/Diesel Engine without Tachometer	43
Wiring Diagram - TAIL/L -/LHD Models for Europe	18	WARNING LAMPS	44
BACK-UP LAMP	20	Schematic/With Tachometer	44
Wiring Diagram - BACK/L -/M/T Models for VG Engine	20	Schematic/Without Tachometer	45
Wiring Diagram - BACK/L -/A/T Models for QD Engine	21	Wiring Diagram - WARN -/Gasoline Engine with Tachometer	46
FRONT FOG LAMP	22	Wiring Diagram - WARN -/Gasoline Engine without Tachometer	50
Wiring Diagram - F/FOG -/LHD Models for Europe	22	Wiring Diagram - WARN -/Diesel Engine with Tachometer	54
Wiring Diagram - F/FOG -/RHD Models for Europe	23	Wiring Diagram - WARN -/Diesel Engine without Tachometer	58
Wiring Diagram - F/FOG -/Except for Europe	24	WARNING CHIME	64
REAR FOG LAMP	25	Wiring Diagram - CHIME -/LHD Models for Europe	64
Wiring Diagram - R/FOG -/LHD Models without Front Fog Lamp	25	AUDIO	65
Wiring Diagram - R/FOG -/RHD Models without Front Fog Lamp	26	Wiring Diagram - AUDIO -/LHD Models Except for Europe	65
Wiring Diagram - R/FOG -/LHD Models with Front Fog Lamp	27	Wiring Diagram - AUDIO -/LHD Models for Europe	66

CONTENTS (Cont'd)

Wiring Diagram - AUDIO -/RHD Models for Europe	68	Instrument Harness	92
NATS (Nissan Anti-Theft System)	70	Chassis Harness and Tail Harness	93
Wiring Diagram - NATS -/LHD Models.....	70	Room Lamp Harness/LHD Models.....	94
Wiring Diagram - NATS -/RHD Models.....	71	Room Lamp Harness/RHD Models.....	95
HARNESS LAYOUT	72	WIRING DIAGRAM CODES (CELL CODES)	96
Main Harness.....	72	SUPER MULTIPLE JUNCTION (SMJ)	Foldout
Engine Room Harness	80	Terminal Arrangement.....	Foldout
Engine Control Harness	86	FUSE AND FUSIBLE LINK	Foldout
Engine Harness	89	Terminal Arrangement.....	Foldout
Alternator Harness.....	91	CONTROL UNITS	Foldout
		Terminal Arrangement.....	Foldout

PRECAUTIONS

Supplemental Restraint System (SRS) “AIR BAG” and “SEAT BELT PRE-TENSIONER”

The Supplemental Restraint System such as “AIR BAG” and “SEAT BELT PRE-TENSIONER” used along with a seat belt, helps to reduce the risk or severity of injury to the driver and front passenger in a frontal collision. The SRS composition which is available to NISSAN MODEL D22 is as follows (The composition varies according to the destination and optional equipment.):

Driver air bag module (located in the center of the steering wheel), front passenger air bag module (located on the instrument panel on passenger side), seat belt pre-tensioner, a diagnosis sensor unit, warning lamp, wiring harness and spiral cable.

WARNING:

- To avoid rendering the SRS inoperative, which could increase the risk of personal injury or death in the event of a collision which would result in air bag inflation, all maintenance must be performed by an authorized NISSAN dealer.
- Improper maintenance, including incorrect removal and installation of the SRS, can lead to personal injury caused by unintentional activation of the system.
- Do not use electrical test equipment on any circuit related to the SRS unless instructed to in this Service Manual. SRS wiring harnesses can be identified by yellow harness connector.

GI

MA

EM

LC

EC

FE

CL

MT

AT

TF

PD

FA

RA

BR

ST

RS

BT

HA

EL

IDX

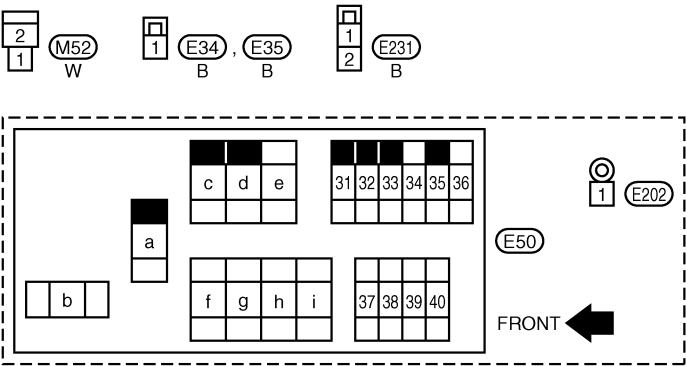
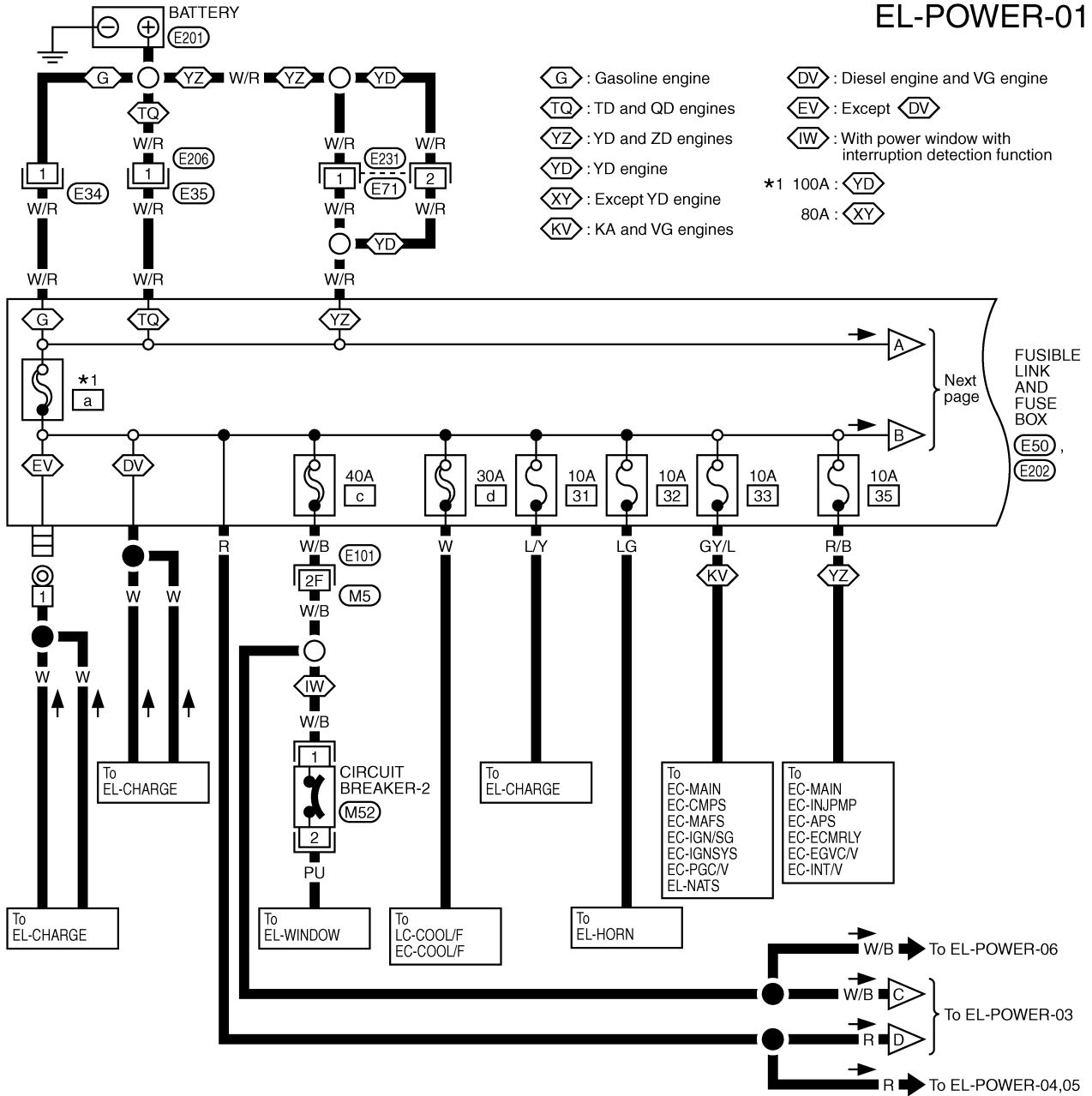
POWER SUPPLY ROUTING

Wiring Diagram — POWER —

BATTERY POWER SUPPLY — IGNITION SWITCH IN ANY POSITION

EL-POWER-01







GI
MA
EM
LC
EC
FE
CL
MT
AT
TF
PD
FA
RA
BR
ST
RS
BT
HA
EL
IDX

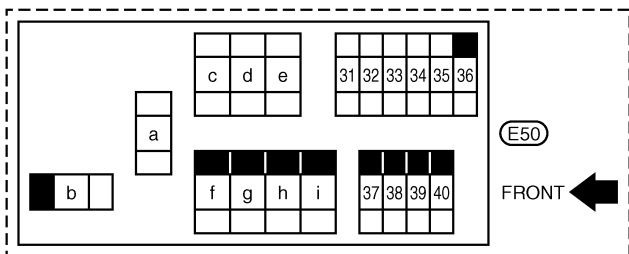
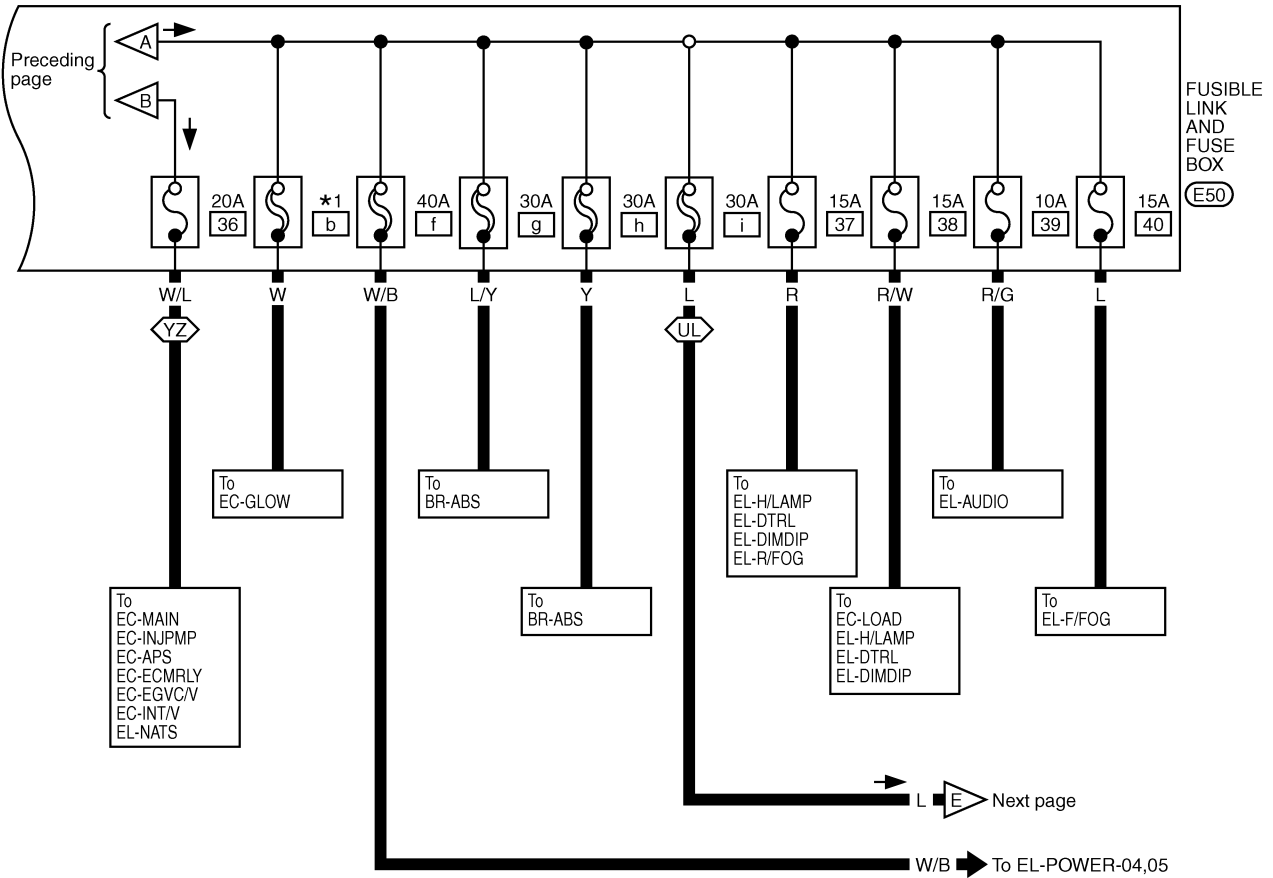


POWER SUPPLY ROUTING

Wiring Diagram — POWER — (Cont'd)

EL-POWER-02

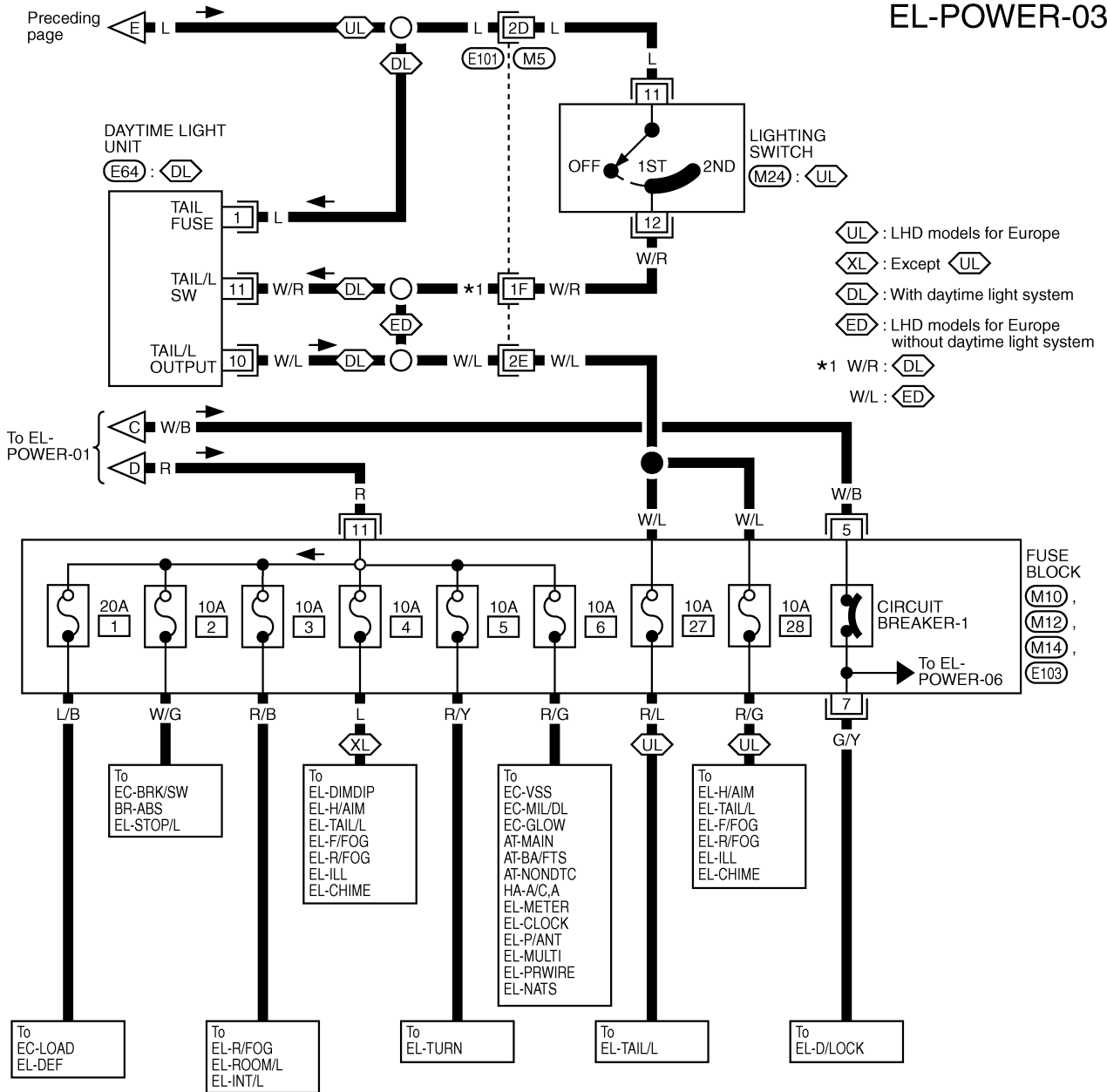
-  : YD and ZD engines
-  : LHD models for Europe
-  : YD engine
-  : TD, QD and ZD engines
- *1 80A : 
- 60A : 



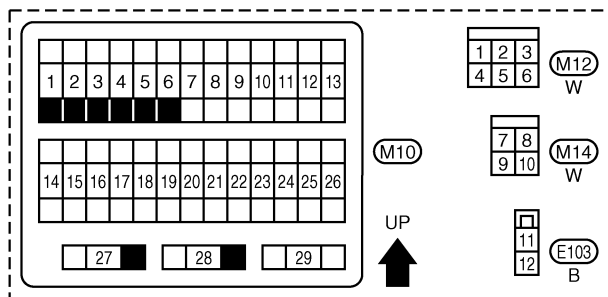
POWER SUPPLY ROUTING

Wiring Diagram — POWER — (Cont'd)

EL-POWER-03



GI
MA
EM
LC
EC
FE
CL
MT
AT
TF
PD
FA
RA
BR
ST
RS
BT
HA



Refer to last page (Foldout page).
(M5), (E101)

EL

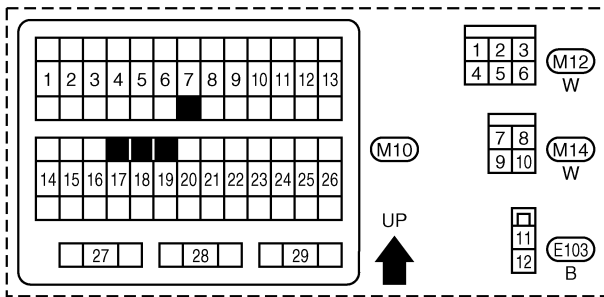
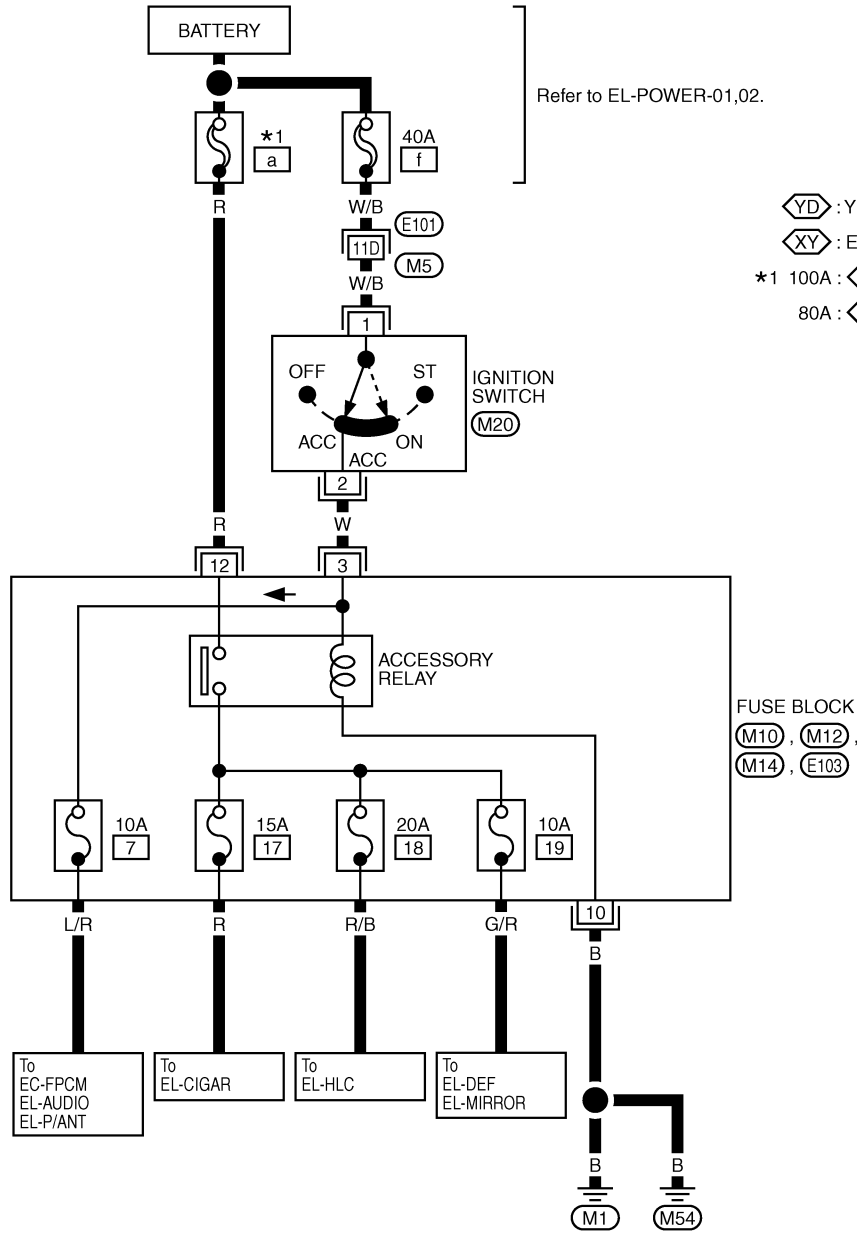
IDX

POWER SUPPLY ROUTING

Wiring Diagram — POWER — (Cont'd)

ACCESSORY POWER SUPPLY — IGNITION SW. IN "ACC" OR "ON"

EL-POWER-04



Refer to last page (Foldout page).
 (M5), (E101)

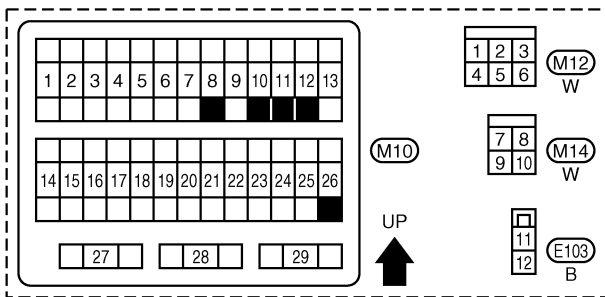
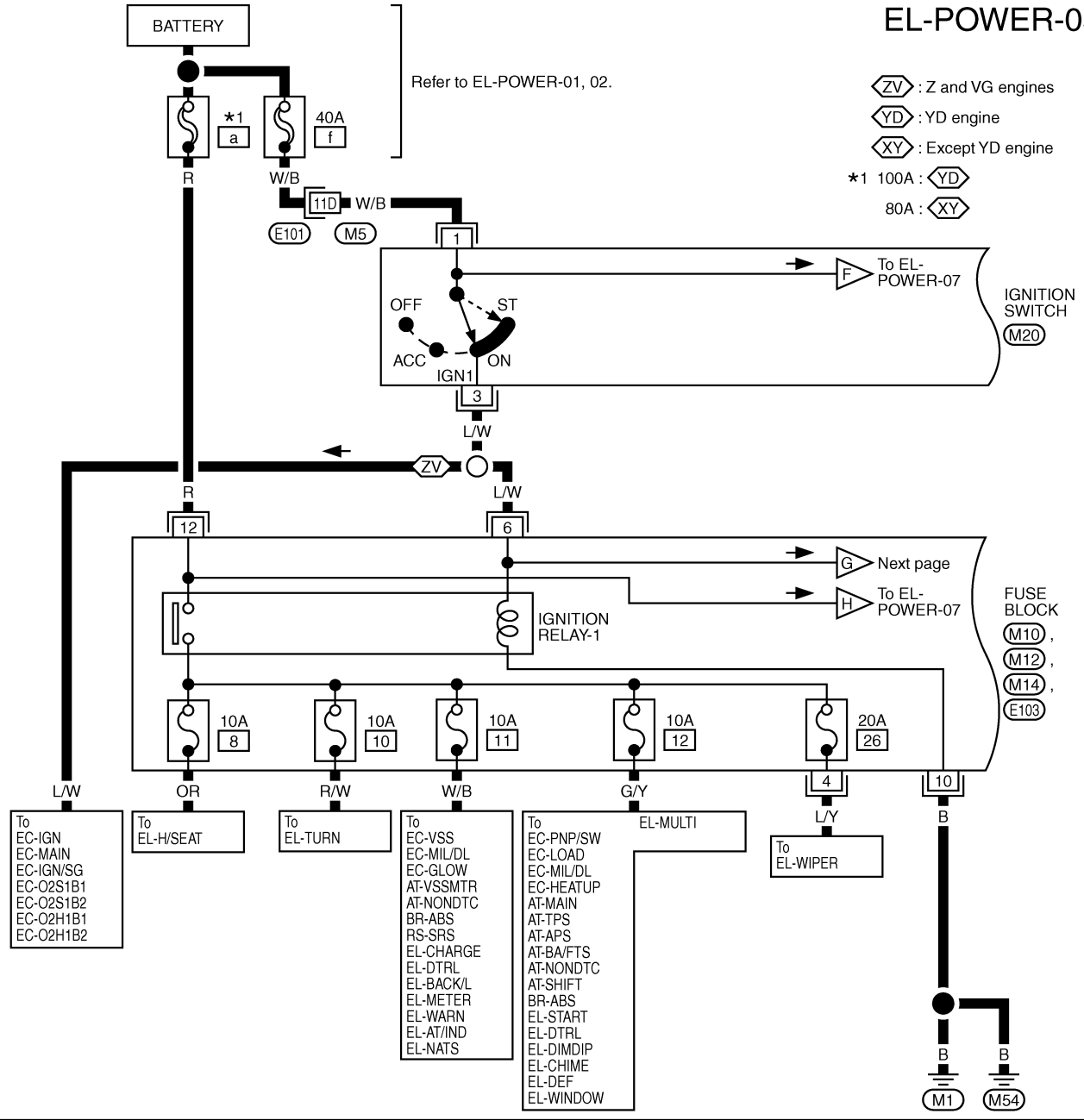
POWER SUPPLY ROUTING

Wiring Diagram — POWER — (Cont'd)

IGNITION POWER SUPPLY — IGNITION SW. IN "ON" AND/OR "START"

EL-POWER-05

GI
MA
EM
LC
EC
FE
CL
MT
AT
TF
PD
FA
RA
BR
ST
RS
BT
HA
EL
IDX







Refer to last page (Foldout page).
 M5, E101

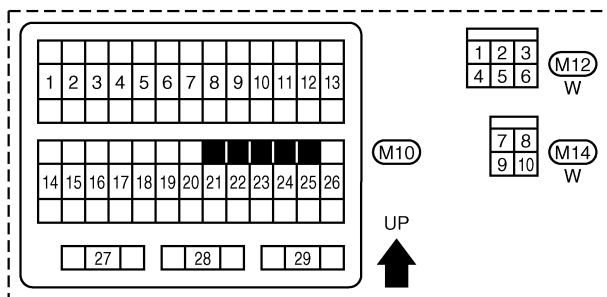
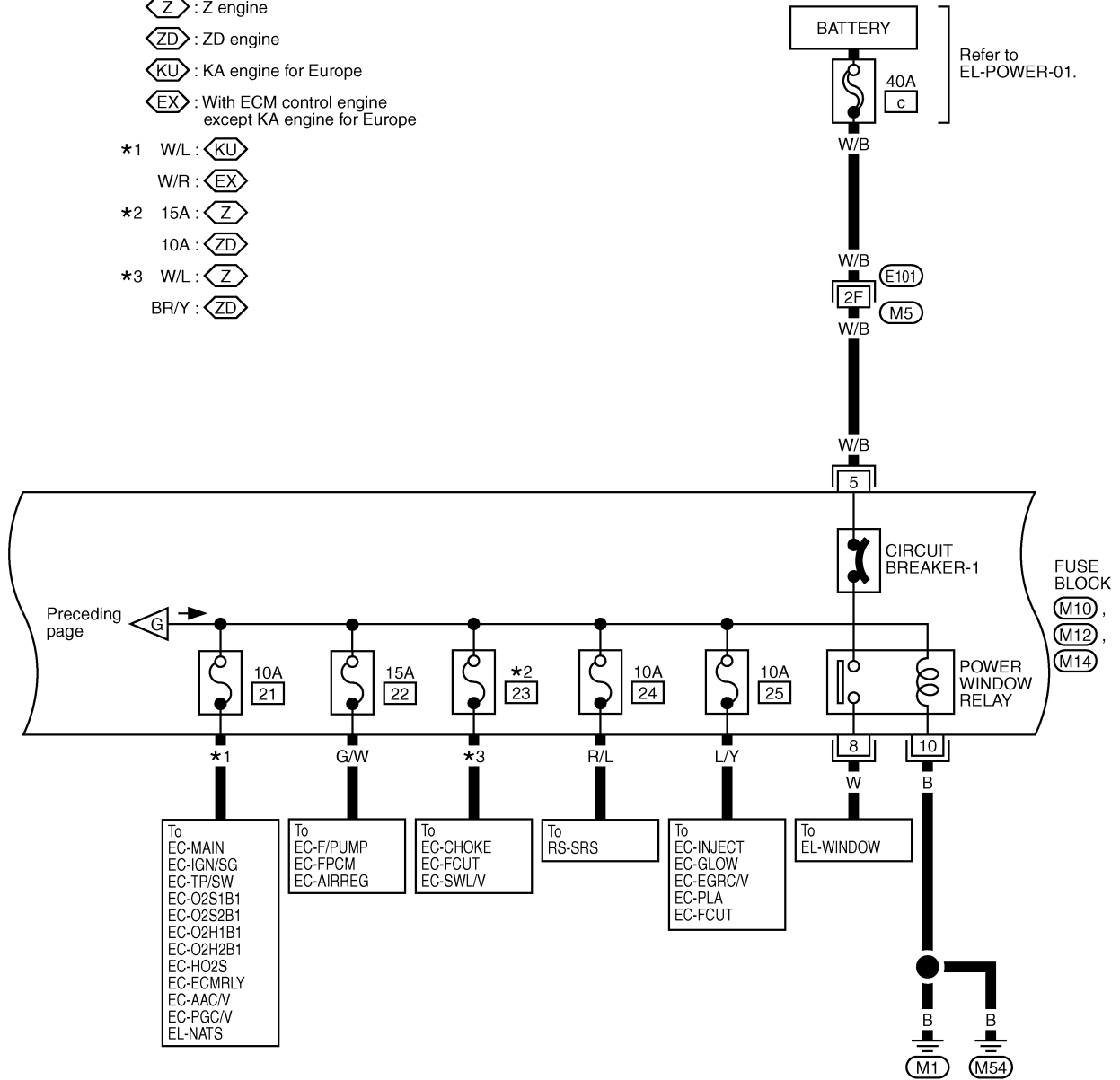
POWER SUPPLY ROUTING

Wiring Diagram — POWER — (Cont'd)

EL-POWER-06

-  : Z engine
-  : ZD engine
-  : KA engine for Europe
-  : With ECM control engine except KA engine for Europe

- *1 W/L : 
- W/R : 
- *2 15A : 
- 10A : 
- *3 W/L : 
- BR/Y : 

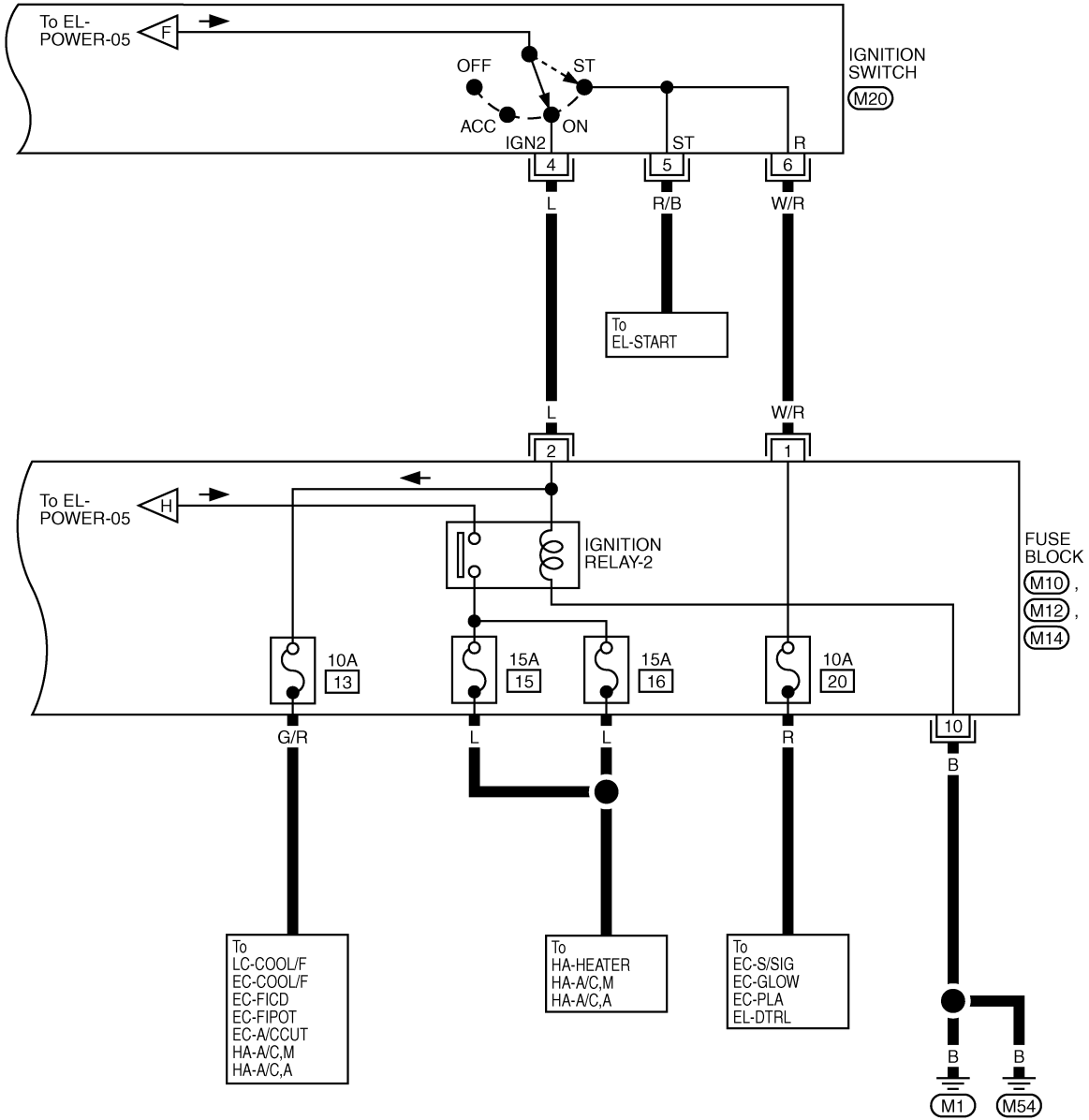


Refer to last page (Foldout page).
 (M5), (E101)

POWER SUPPLY ROUTING

Wiring Diagram — POWER — (Cont'd)

EL-POWER-07



GI

MA

EM

LC

EC

FE

CL

MT

AT

TF

PD

FA

RA

BR

ST

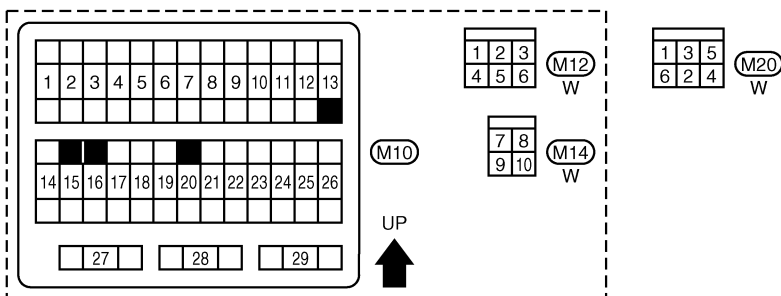
RS

BT

HA

EL

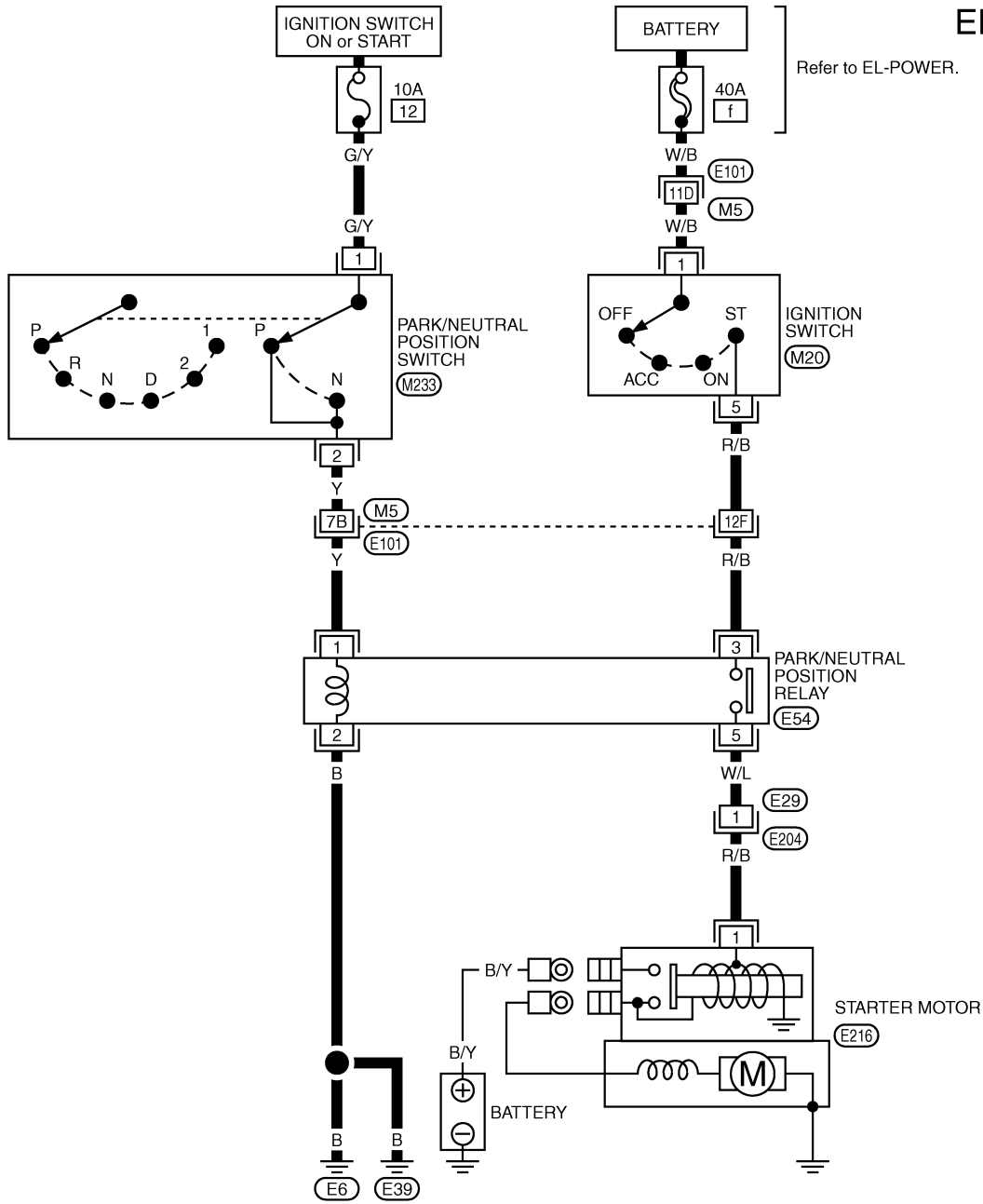
IDX



STARTING SYSTEM

Wiring Diagram — START —/LHD A/T Models for Diesel Engine

EL-START-01



M20
W



M233
GY



E54
L



E204
GY



E216
B

Refer to last page (foldout page).

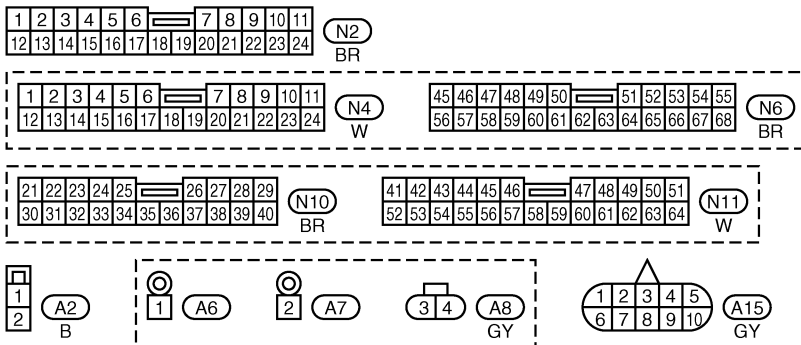
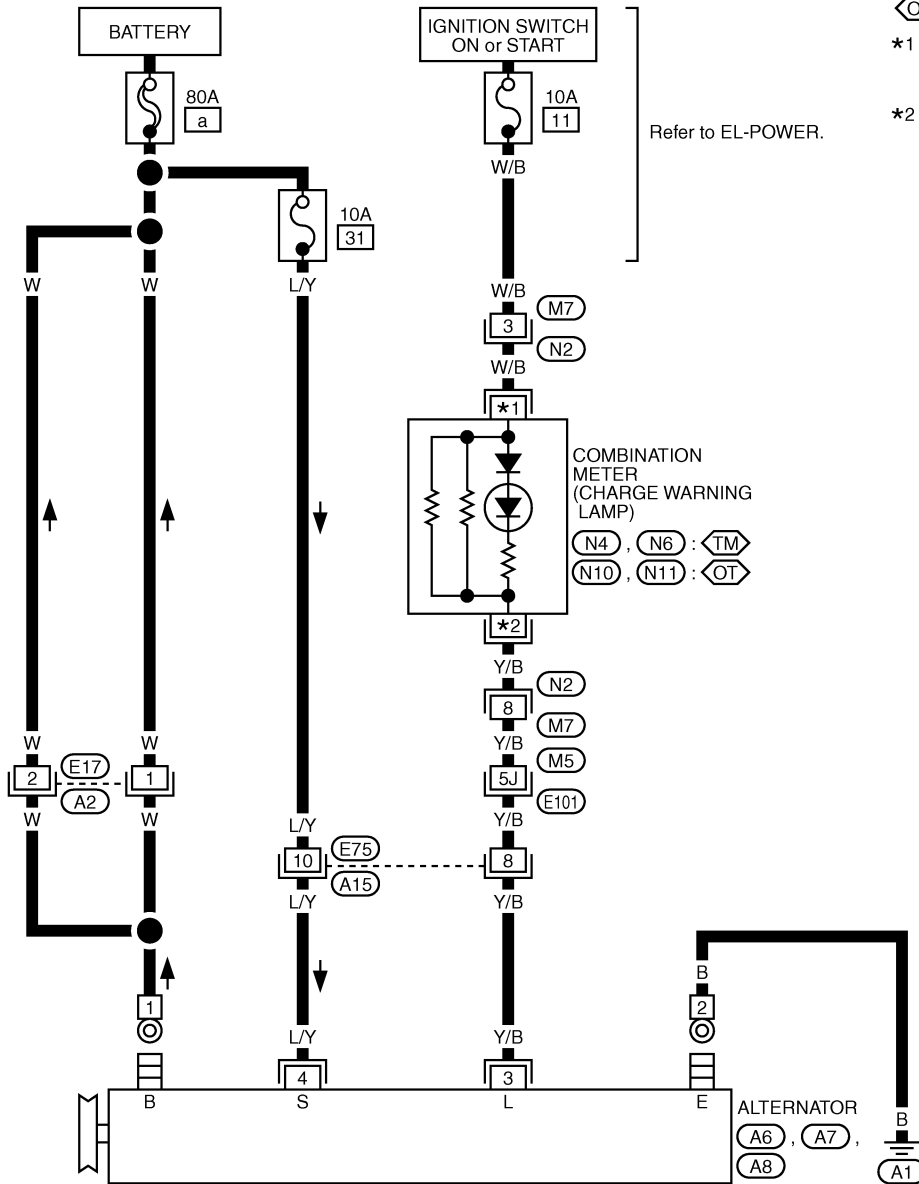
(M5), (E101)

CHARGING SYSTEM

Wiring Diagram — CHARGE —/A/T Models for Diesel Engine

EL-CHARGE-01

- : With tachometer
- : Without tachometer
- *1 17 :
- 22 :
- *2 62 :
- 61 :



Refer to last page (Foldout page).

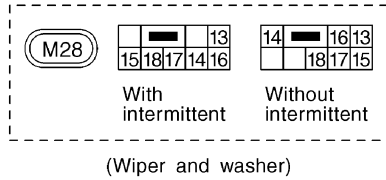
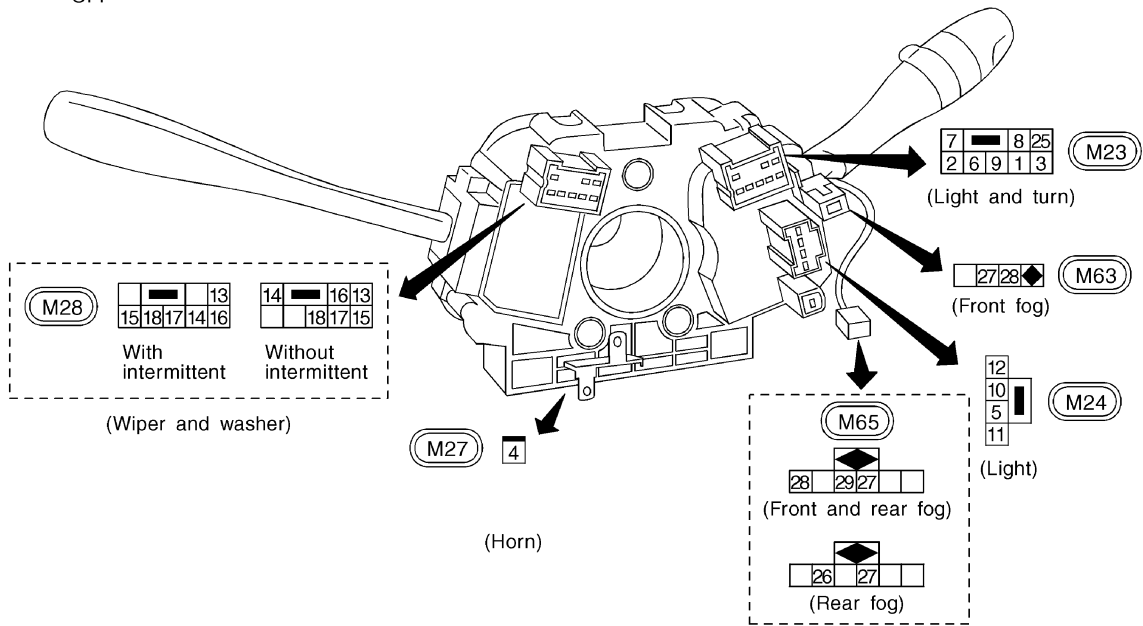
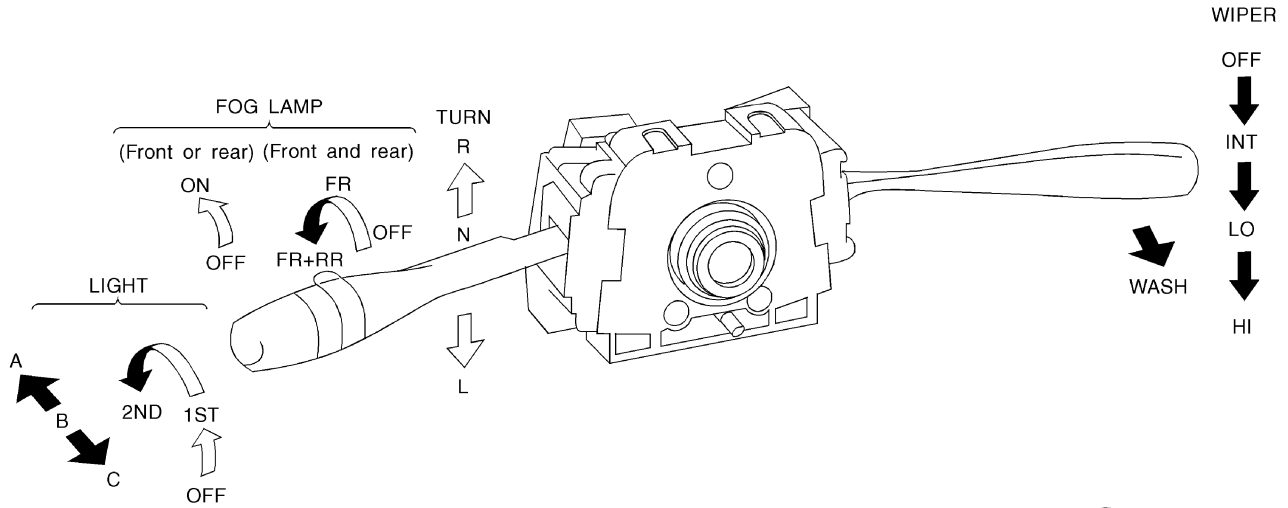
(M5), (E101)

GI
MA
EM
LC
EC
FE
CL
MT
AT
TF
PD
FA
RA
BR
ST
RS
BT
HA
EL
IDX

COMBINATION SWITCH

Check

FOR EUROPE AND LHD MODELS



WIPER AND WASHER SWITCH (With intermittent)

	OFF			1ST			2ND		
	A	B	C	A	B	C	A	B	C
5									
6									
7									
8									
9									
10									
11									
12									
25									

WIPER AND WASHER SWITCH (Without intermittent)

	OFF	INT	LO	HI	WASH
	13				
14					
15					
16					
17					
18					

WIPER AND WASHER SWITCH (Without intermittent)

	OFF	LO	HI	WASH
	13			
14				
15				
16				
17				
18				

TURN SIGNAL LAMP SWITCH

	L	N	R
	1		
2			
3			

FRONT FOG LAMP SWITCH

	OFF	ON
	28	
27		

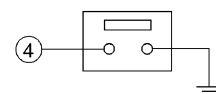
REAR FOG LAMP SWITCH

	OFF	ON
	26	
27		

FOG LAMP SWITCH (Front and rear)

	OFF	FR	FR+RR
	28		
29			
27			

HORN SWITCH (Without air bag)



COMBINATION SWITCH

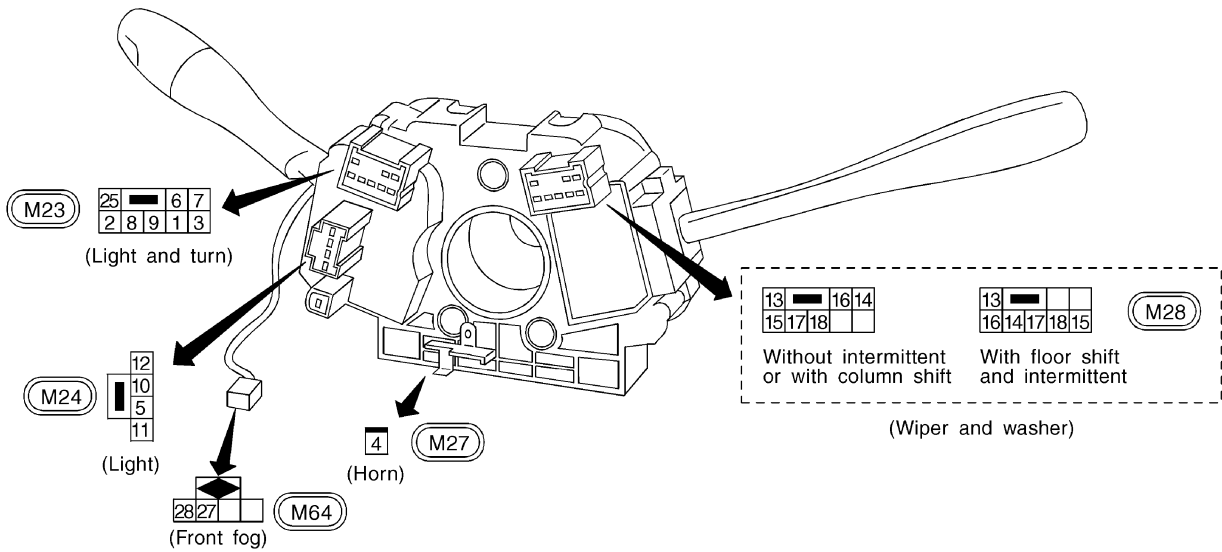
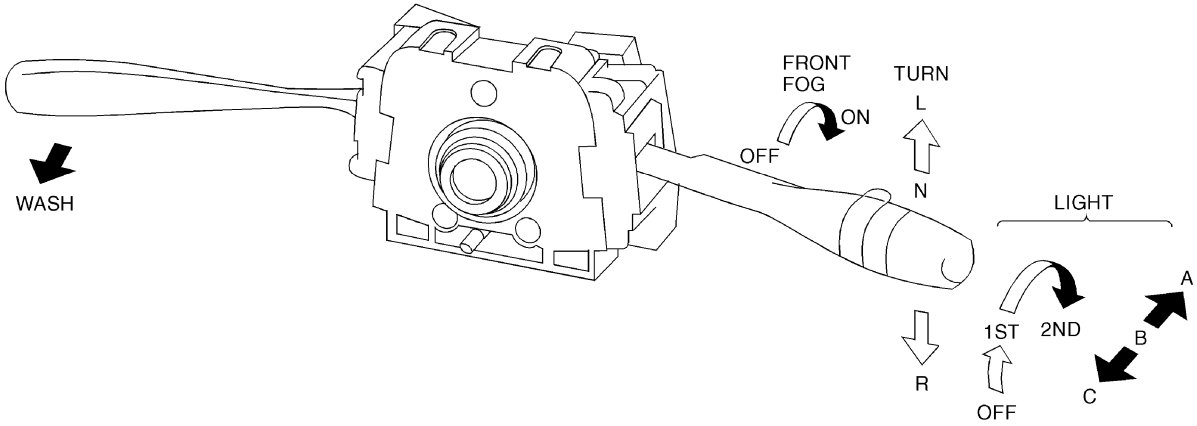
Check (Cont'd)

RHD MODELS EXCEPT FOR EUROPE

GI
MA
EM
LC
EC
FE
CL
MT
AT
TF
PD
FA
RA
BR
ST
RS
BT
HA
EL
IDX

WIPER

OFF
↓
INT
↓
LO
↓
HI



LIGHTING SWITCH

	OFF			1ST			2ND		
	A	B	C	A	B	C	A	B	C
5									
6									
7									
8									
9									
10									
11									
12									
25									

WIPER AND WASHER SWITCH (With column shift and intermittent)

	OFF	INT	LO	HI	WASH
13					
14					
15					
16					
17					
18					

WIPER AND WASHER SWITCH (With floor shift and intermittent)

	OFF	INT	LO	HI	WASH
13					
14					
15					
16					
17					
18					

WIPER AMPLIFIER (In combination switch)

WIPER AND WASHER SWITCH (Without intermittent)

	OFF	LO	HI	WASH
13				
14				
15				
16				
17				
18				

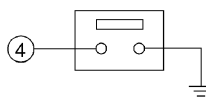
TURN SIGNAL LAMP SWITCH

	L	N	R
1			
2			
3			

FRONT FOG LAMP SWITCH

	OFF	ON
28		
27		

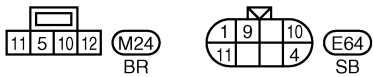
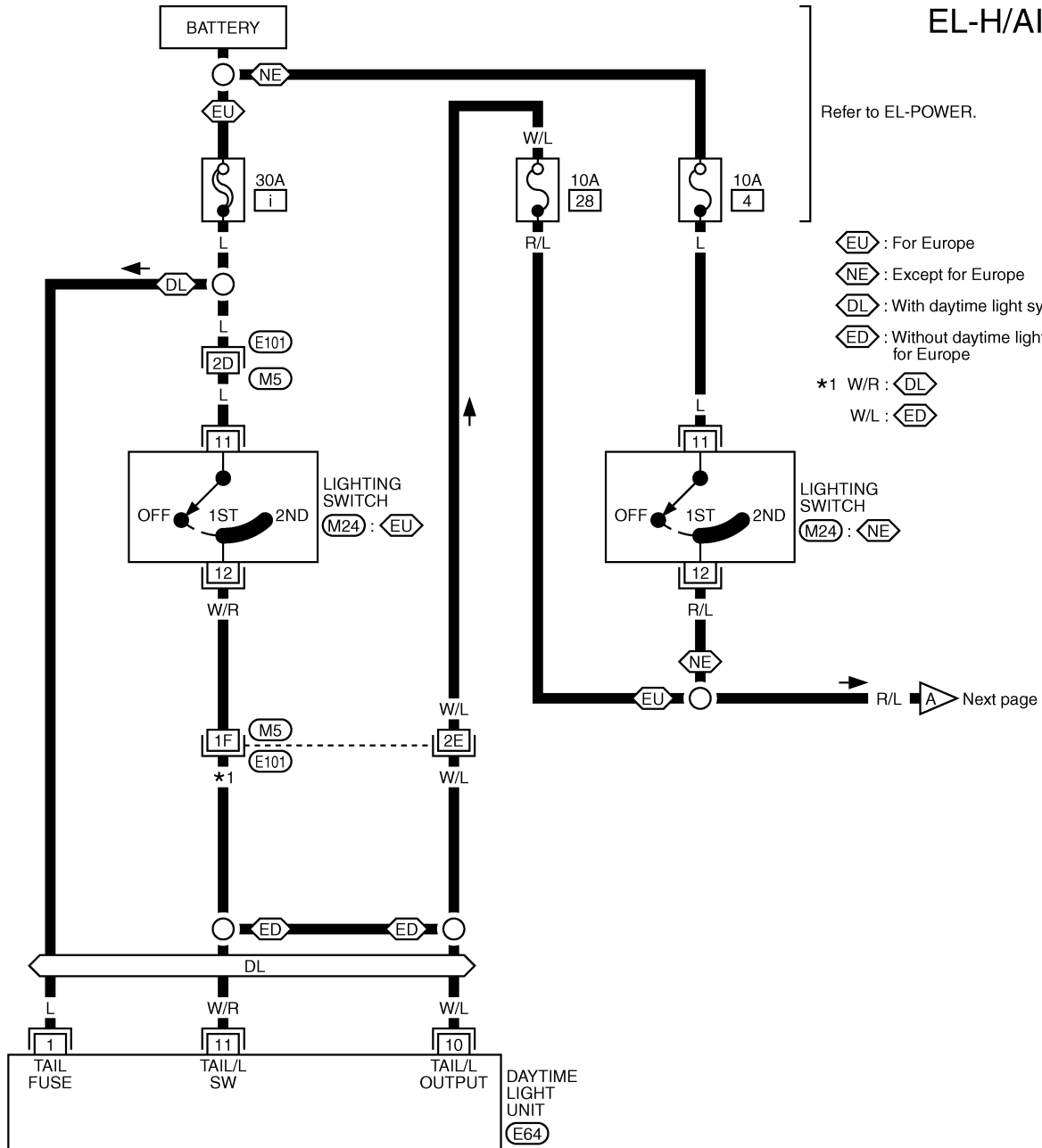
HORN SWITCH (Without air bag)



HEADLAMP — Headlamp Aiming Control —

Wiring Diagram — H/AIM —

EL-H/AIM-01



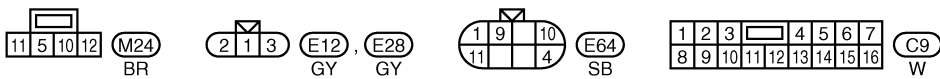
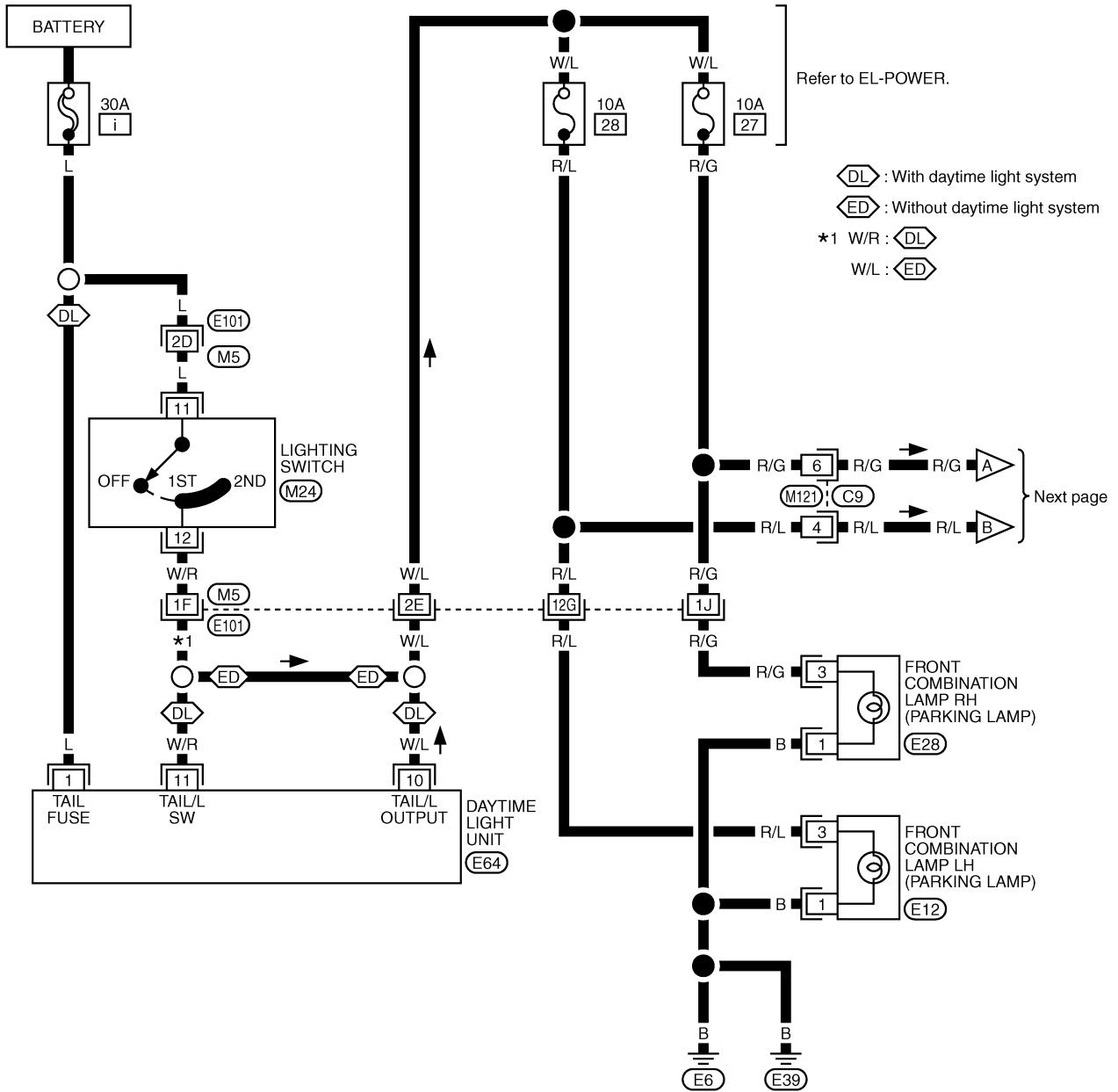
Refer to last page (Foldout page).

M5 , E101

PARKING, LICENSE AND TAIL LAMPS

Wiring Diagram — TAIL/L —/LHD Models for Europe

EL-TAIL/L-01



Refer to last page (Foldout page).

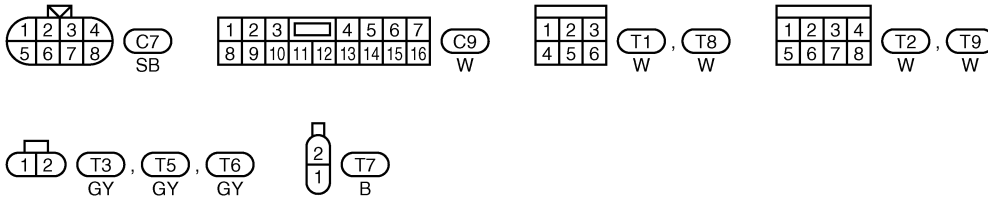
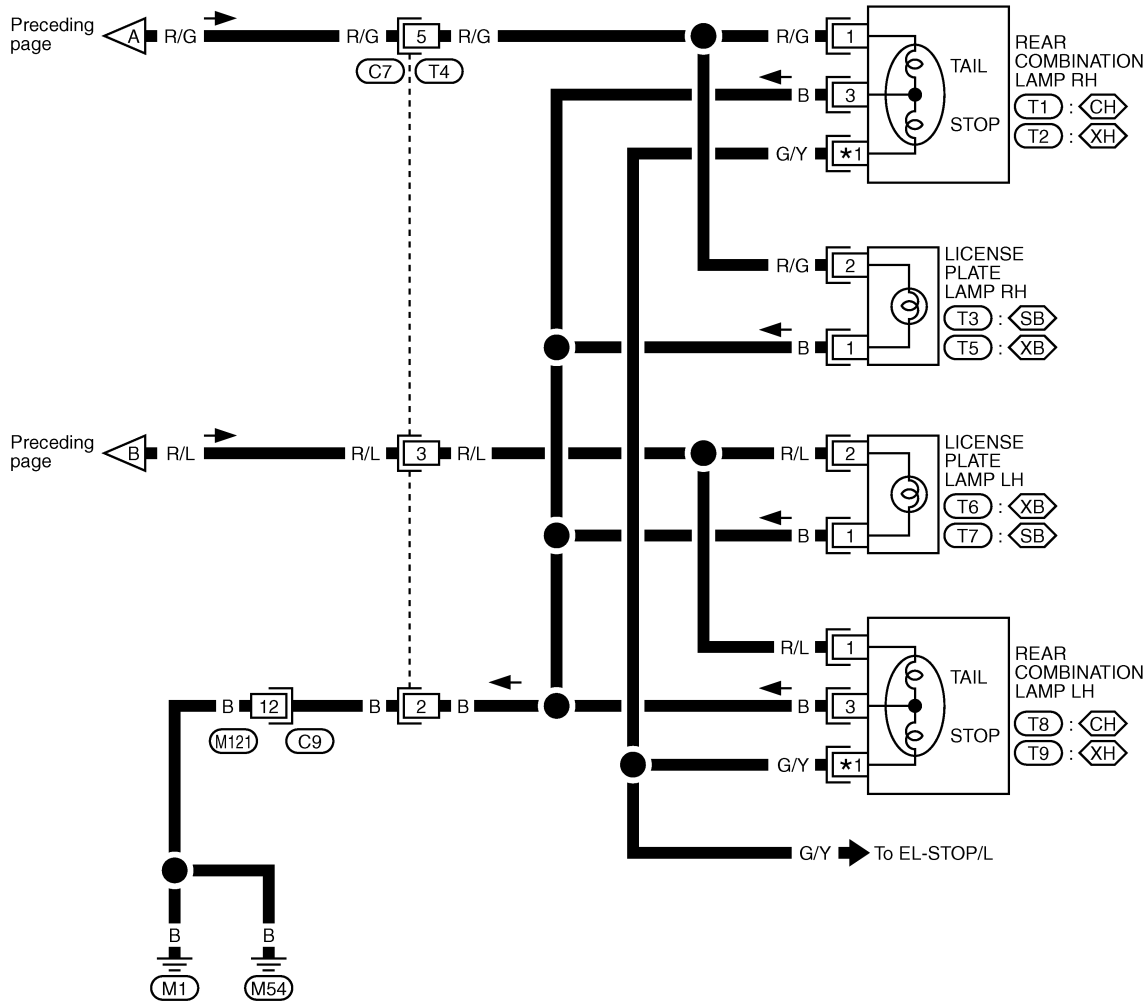
(M5), (E101)

PARKING, LICENSE AND TAIL LAMPS

Wiring Diagram — TAIL/L —/LHD Models for Europe (Cont'd)

EL-TAIL/L-02

- CH : A-chassis models
- XH : Except A-chassis models
- SB : Models with step bumper
- XB : Except SB
- *1 4 : CH
- 5 : XH



GI
MA
EM
LC
EC
FE
CL
MT
AT
TF
PD
FA
RA
BR
ST
RS
BT
HA

EL

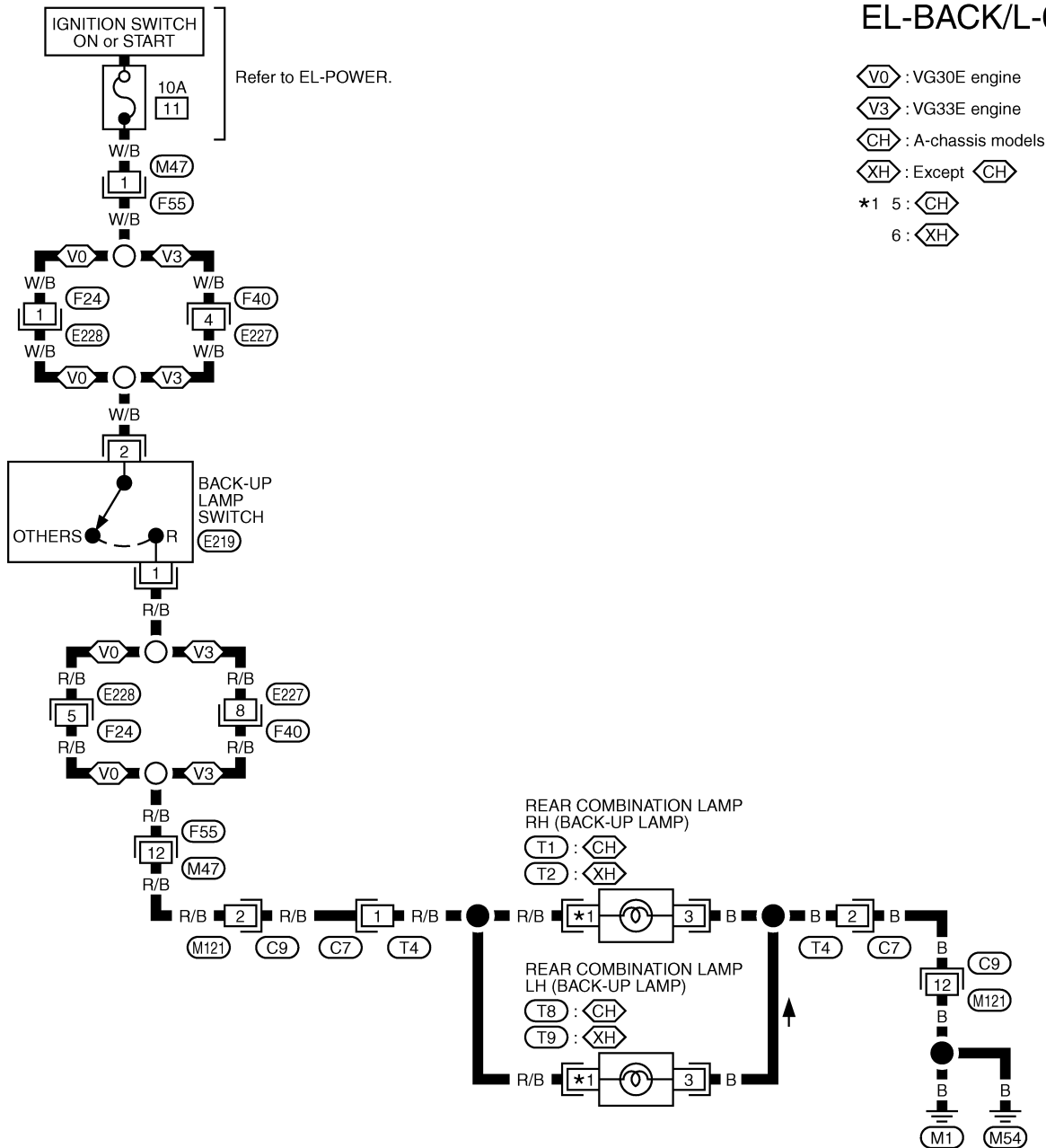
IDX

BACK-UP LAMP

Wiring Diagram — BACK/L —/M/T Models for VG Engine

FOR VG ENGINE

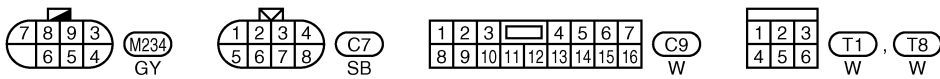
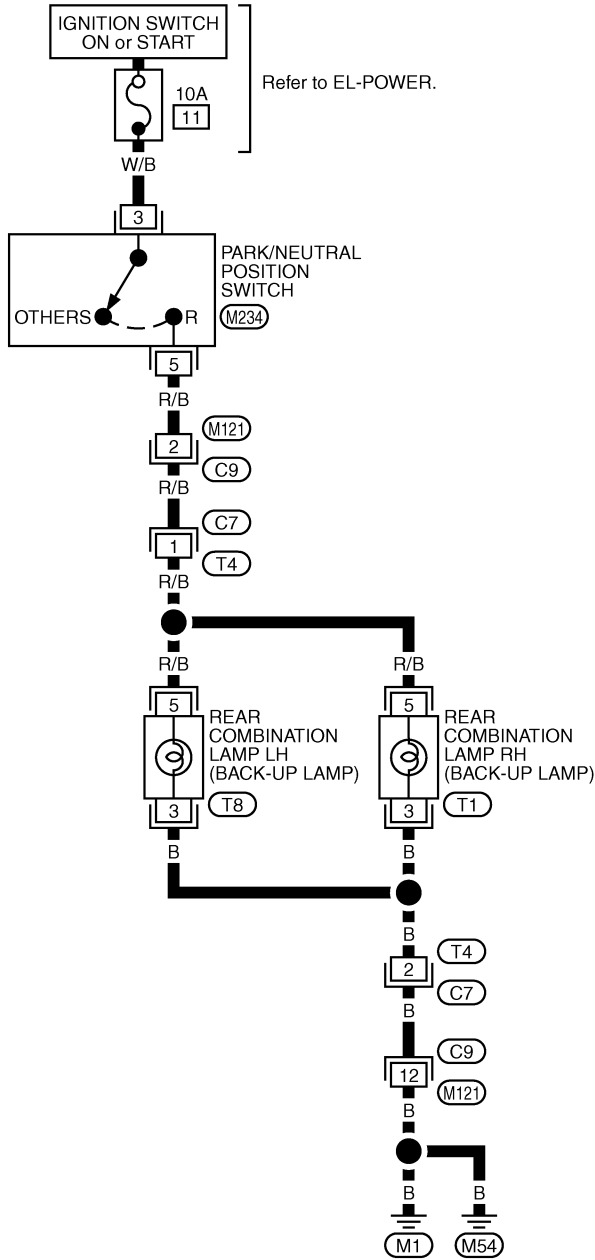
EL-BACK/L-01



BACK-UP LAMP

Wiring Diagram — BACK/L —/A/T Models for QD Engine

EL-BACK/L-02

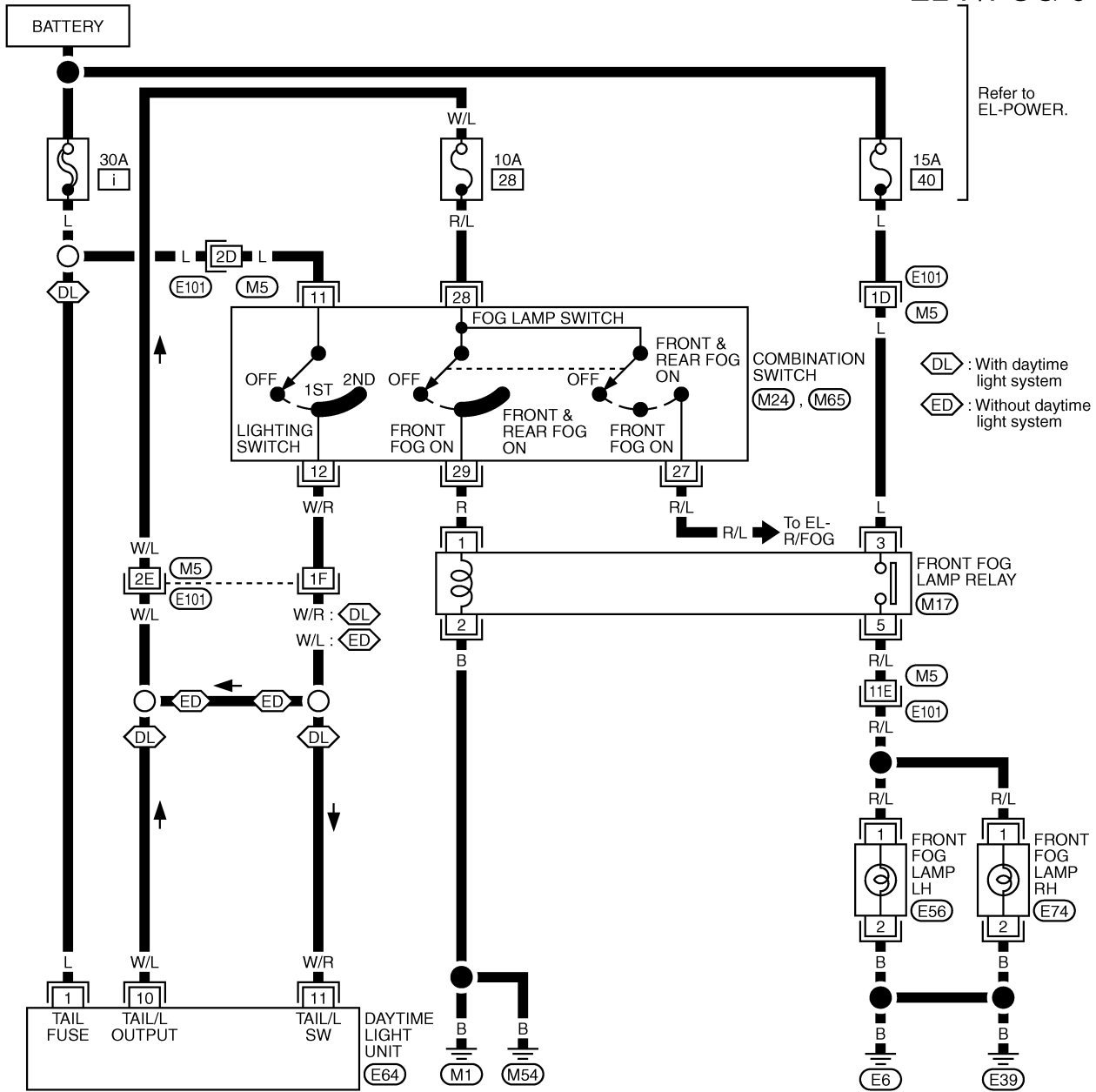


GI
MA
EM
LC
EC
FE
CL
MT
AT
TF
PD
FA
RA
BR
ST
RS
BT
HA
EL
IDX

FRONT FOG LAMP

Wiring Diagram — F/FOG —/LHD Models for Europe

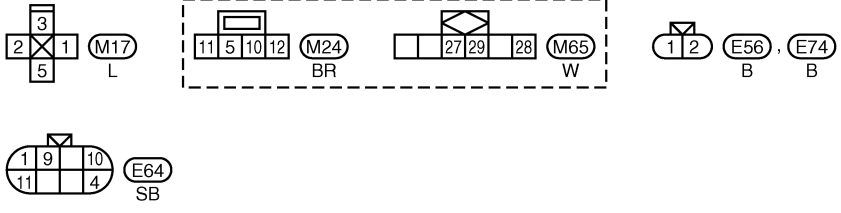
EL-F/FOG-01



Refer to EL-POWER.

DL : With daytime light system
ED : Without daytime light system

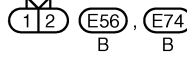
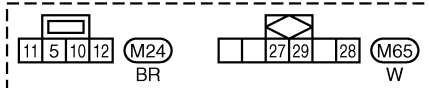
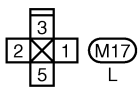
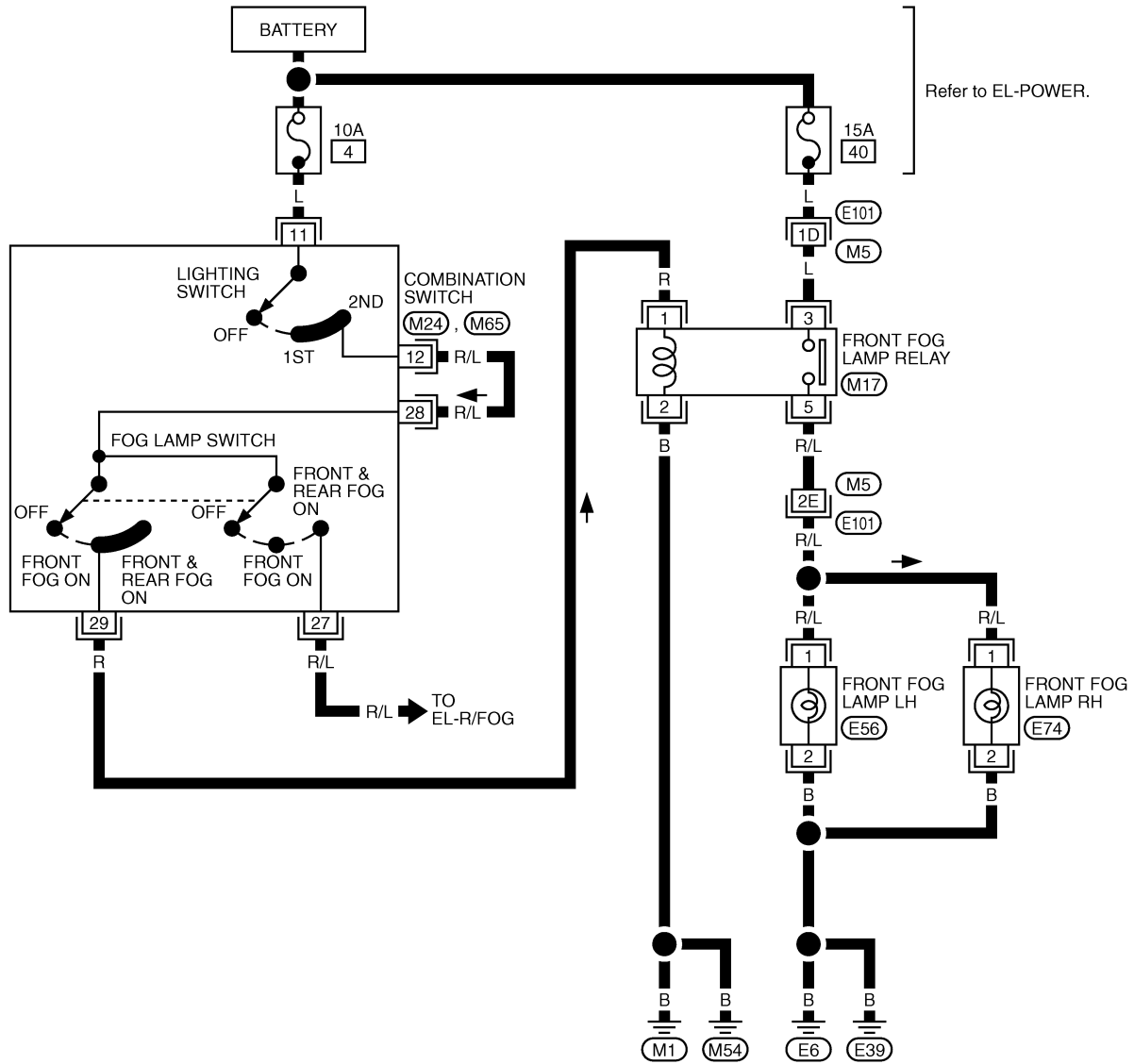
Refer to last page (Foldout page).
M5, E101



FRONT FOG LAMP

Wiring Diagram — F/FOG —/RHD Models for Europe

EL-F/FOG-02



Refer to last page (Foldout page).

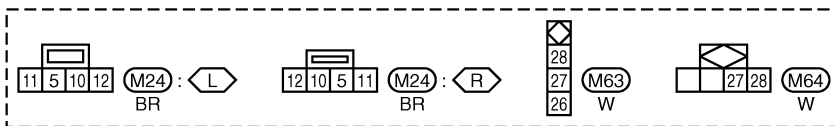
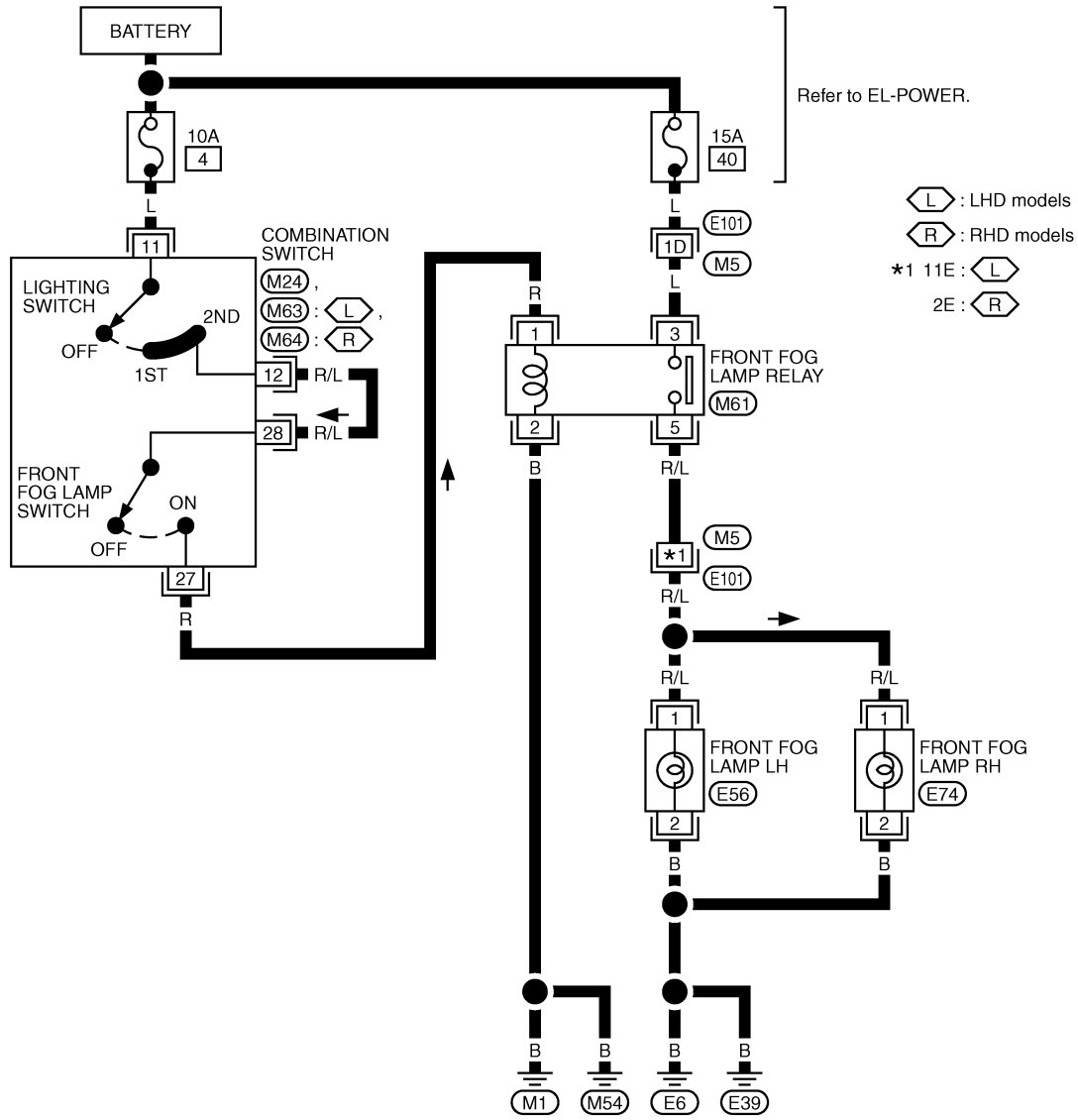
(M5), (E101)

GI
MA
EM
LC
EC
FE
CL
MT
AT
TF
PD
FA
RA
BR
ST
RS
BT
HA
EL
IDX

FRONT FOG LAMP

Wiring Diagram — F/FOG —/Except for Europe

EL-F/FOG-03



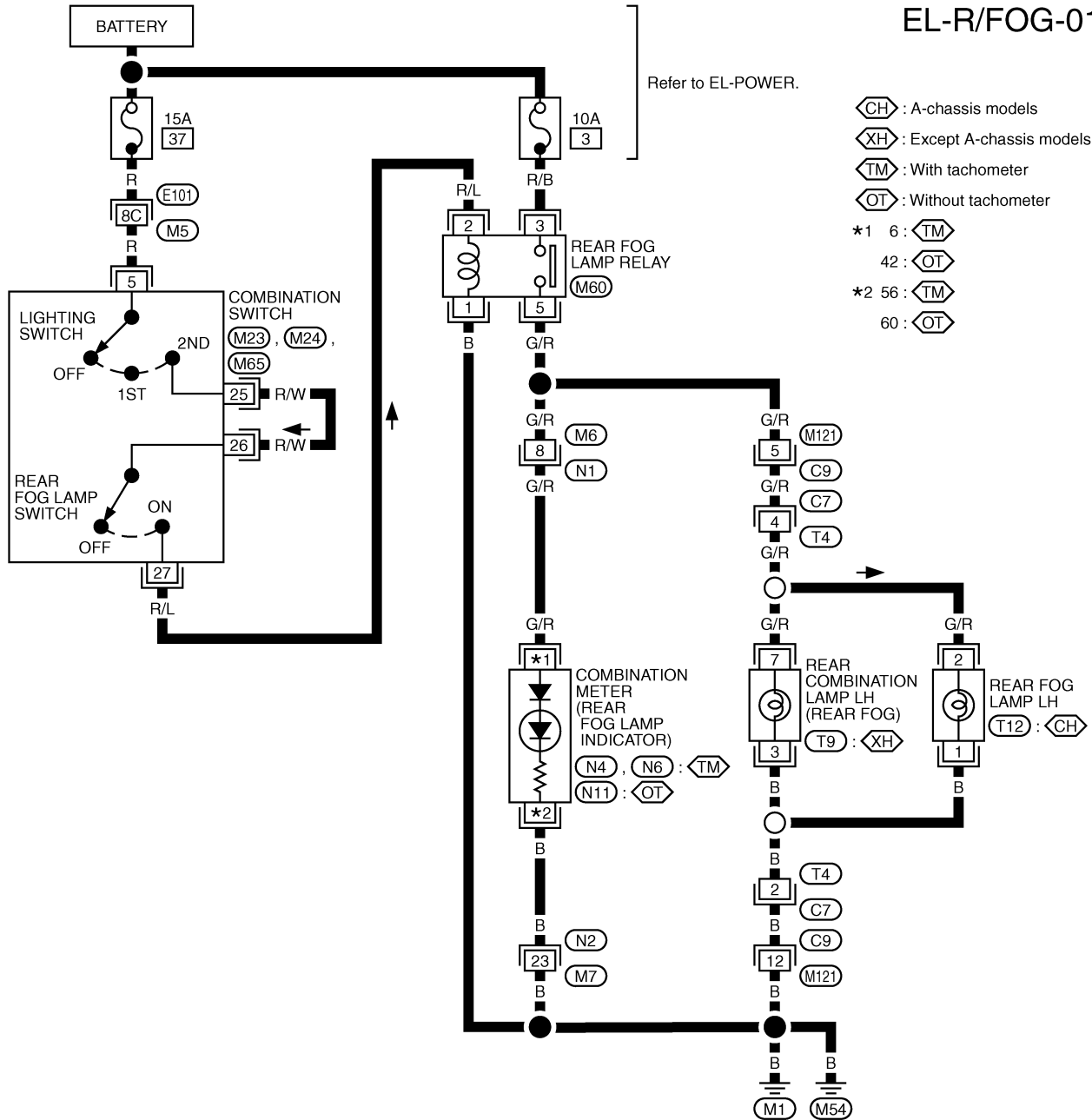
Refer to last page (Foldout page).

(M5), (E101)

REAR FOG LAMP

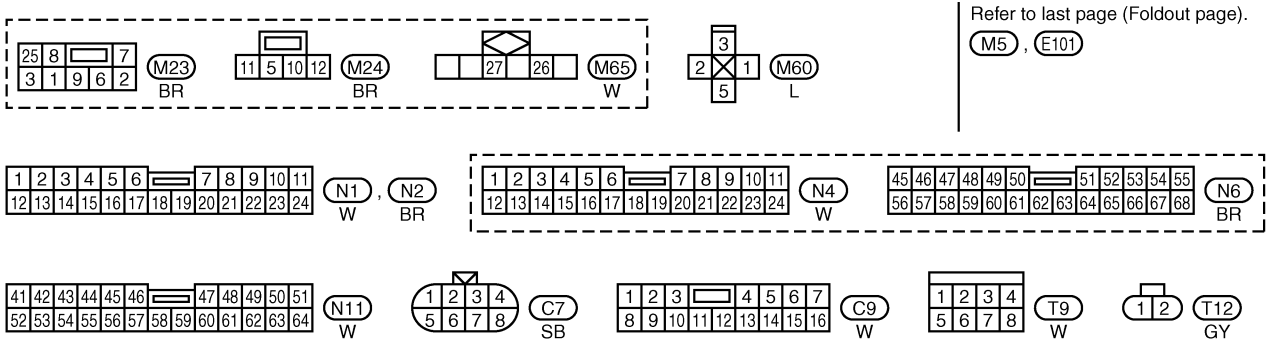
Wiring Diagram — R/FOG —/LHD Models without Front Fog Lamp

EL-R/FOG-01



Refer to EL-POWER.

- ⬡CH : A-chassis models
- ⬡XH : Except A-chassis models
- ⬡TM : With tachometer
- ⬡OT : Without tachometer
- *1 6 : ⬡TM
- 42 : ⬡OT
- *2 56 : ⬡TM
- 60 : ⬡OT



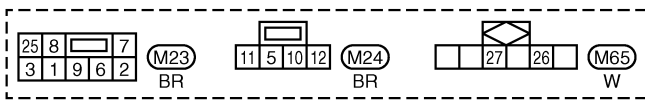
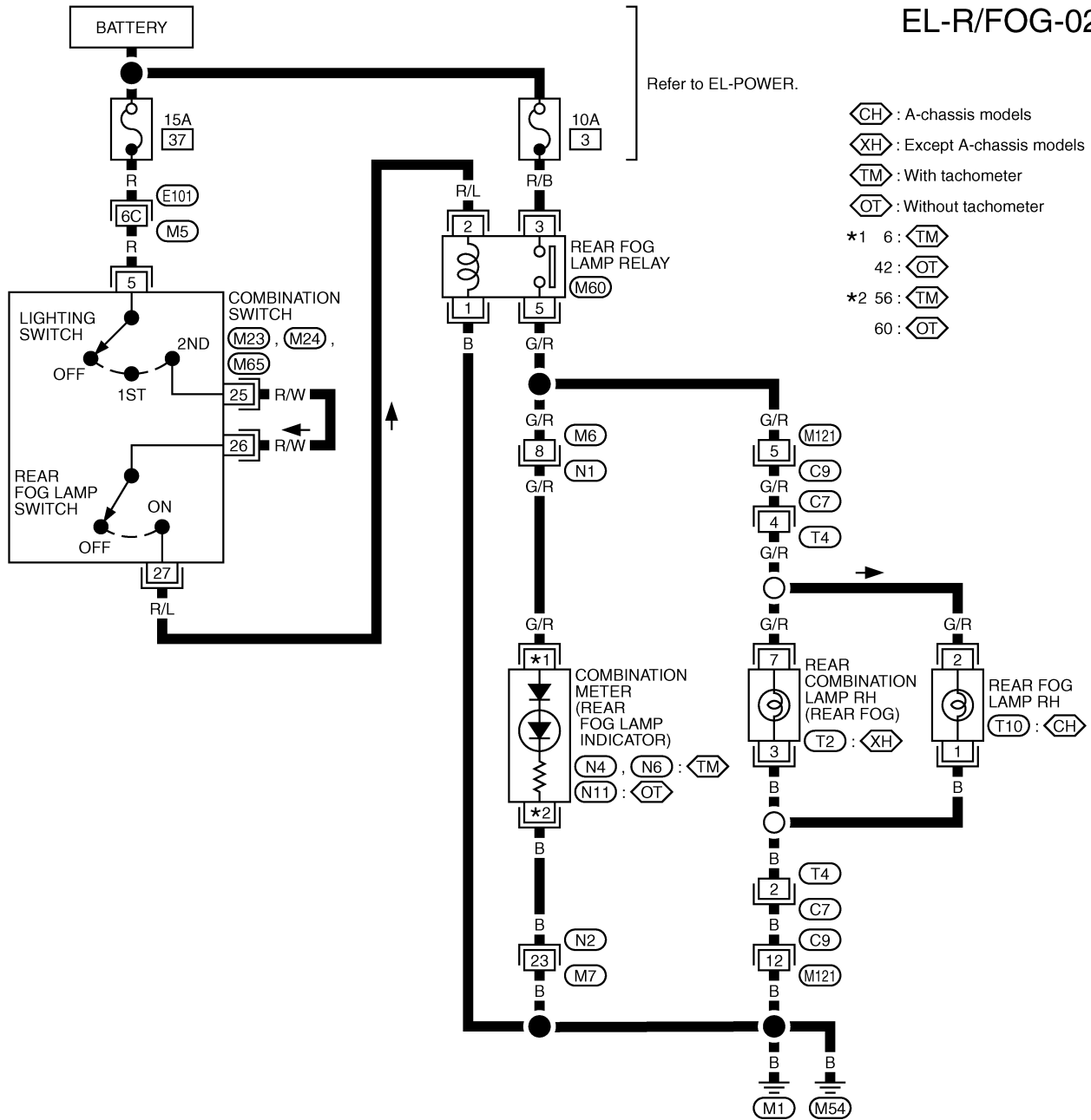
Refer to last page (Foldout page).
 (M5), (E101)

GI
 MA
 EM
 LC
 EC
 FE
 CL
 MT
 AT
 TF
 PD
 FA
 RA
 BR
 ST
 RS
 BT
 HA
 EL
 IDX

REAR FOG LAMP

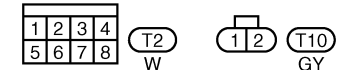
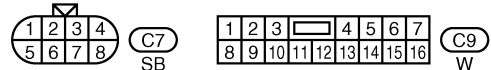
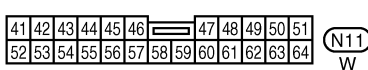
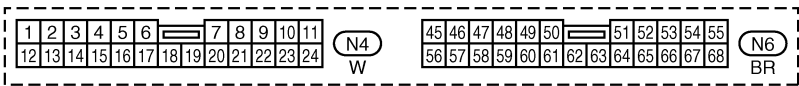
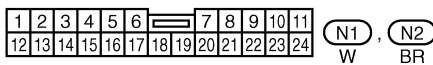
Wiring Diagram — R/FOG —/RHD Models without Front Fog Lamp

EL-R/FOG-02



Refer to last page (Foldout page).

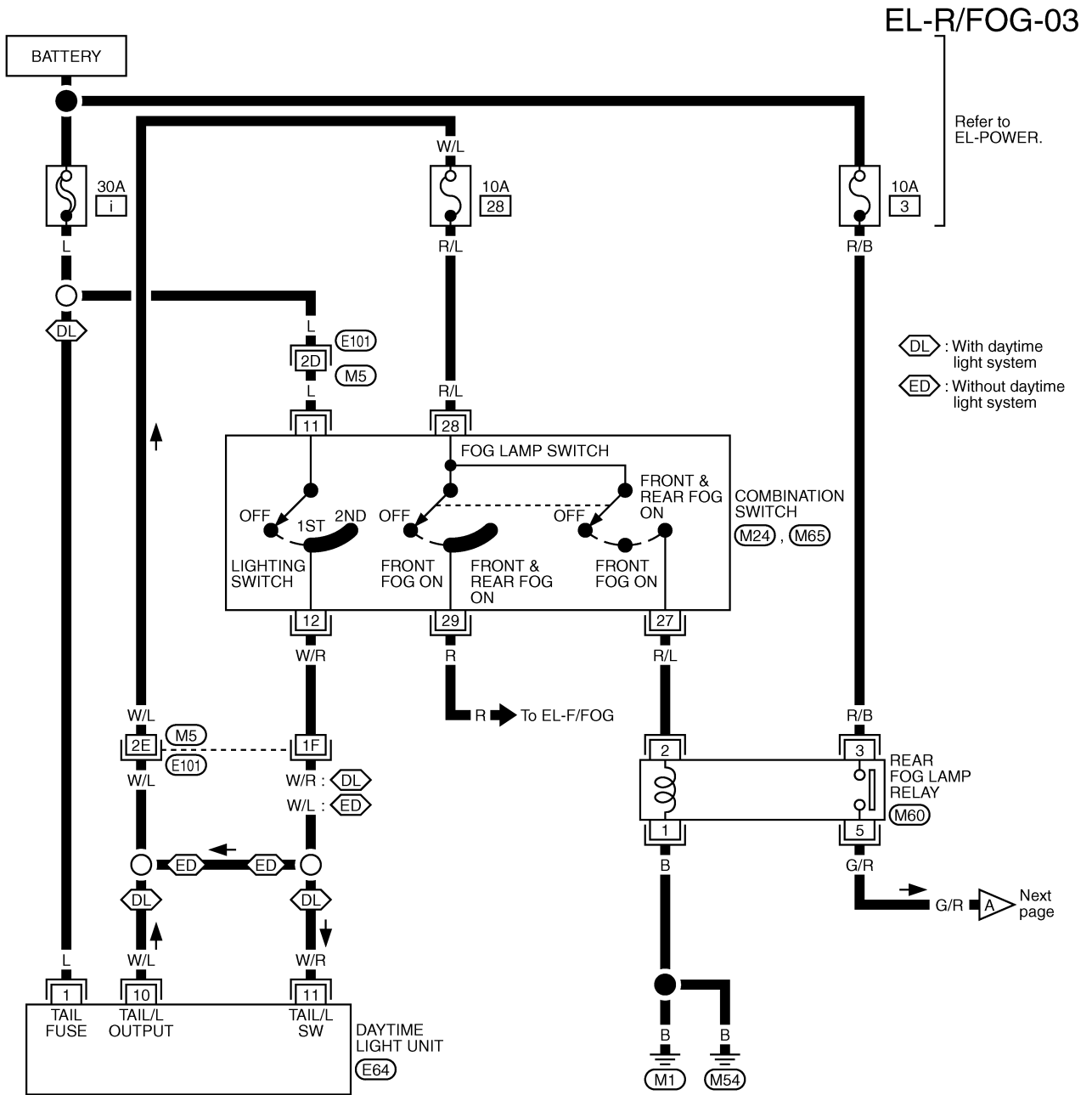
M5, E101



REAR FOG LAMP

Wiring Diagram — R/FOG —/LHD Models with Front Fog Lamp

GI
MA
EM
LC
EC
FE
CL
MT
AT
TF
PD
FA
RA
BR
ST
RS
BT
HA
EL
IDX

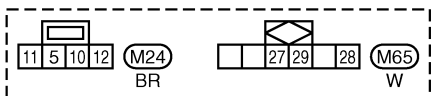


EL-R/FOG-03

Refer to EL-POWER.

DL : With daytime light system
ED : Without daytime light system

G/R → Next page

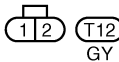
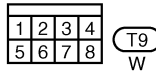
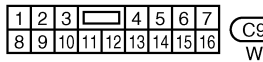
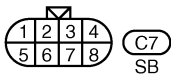
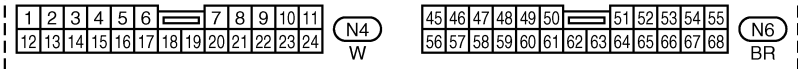
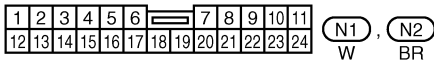
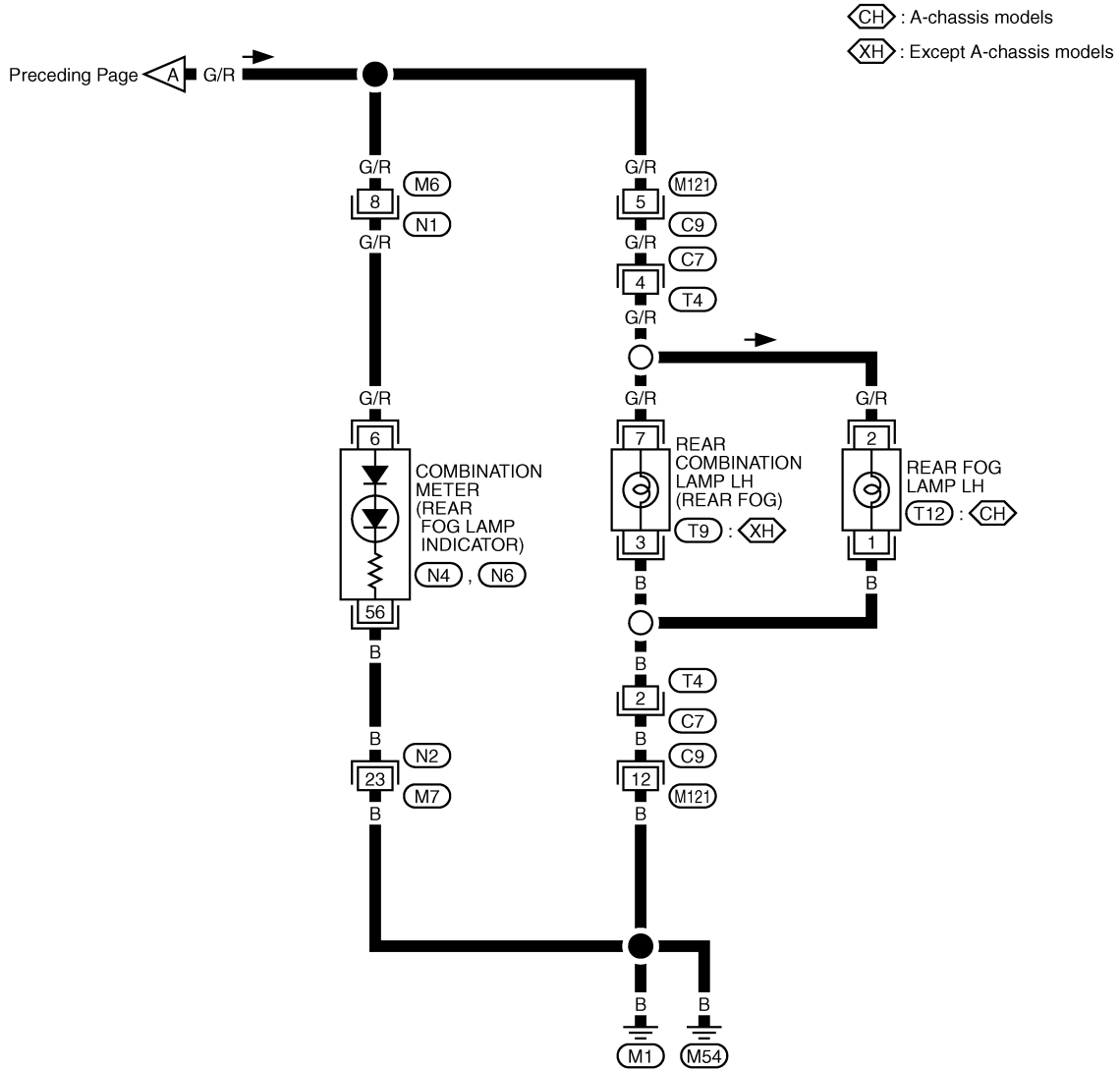


Refer to last page (Foldout page).
M5, E101

REAR FOG LAMP

Wiring Diagram — R/FOG —/LHD Models with Front Fog Lamp (Cont'd)

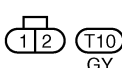
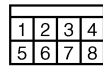
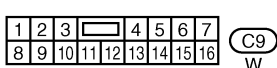
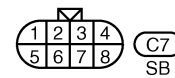
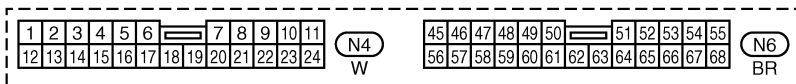
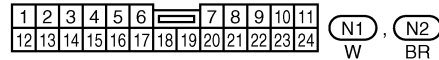
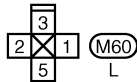
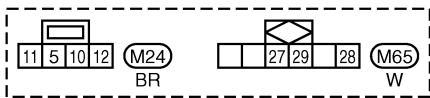
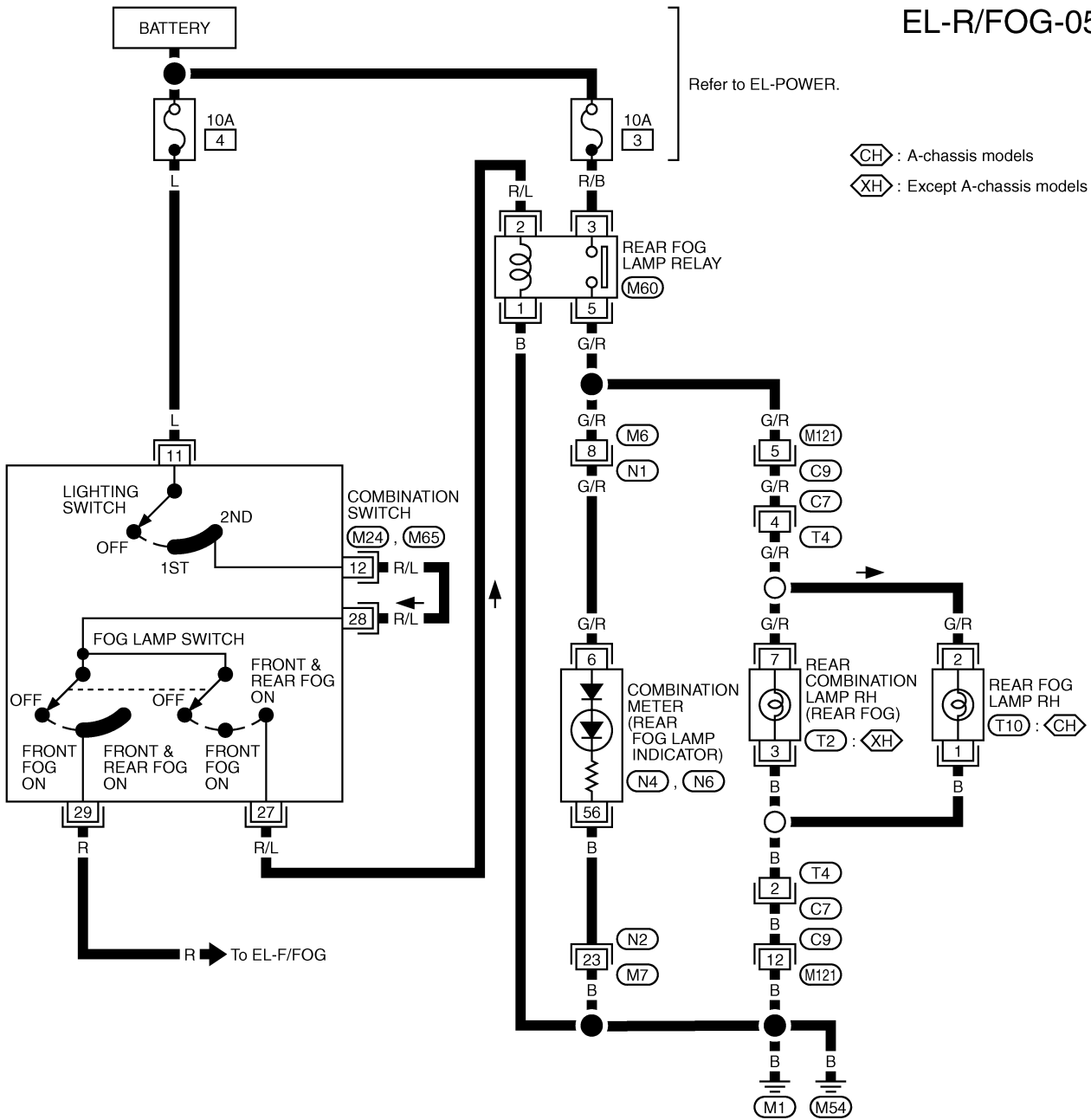
EL-R/FOG-04



REAR FOG LAMP

Wiring Diagram — R/FOG —/RHD Models with Front Fog Lamp

EL-R/FOG-05

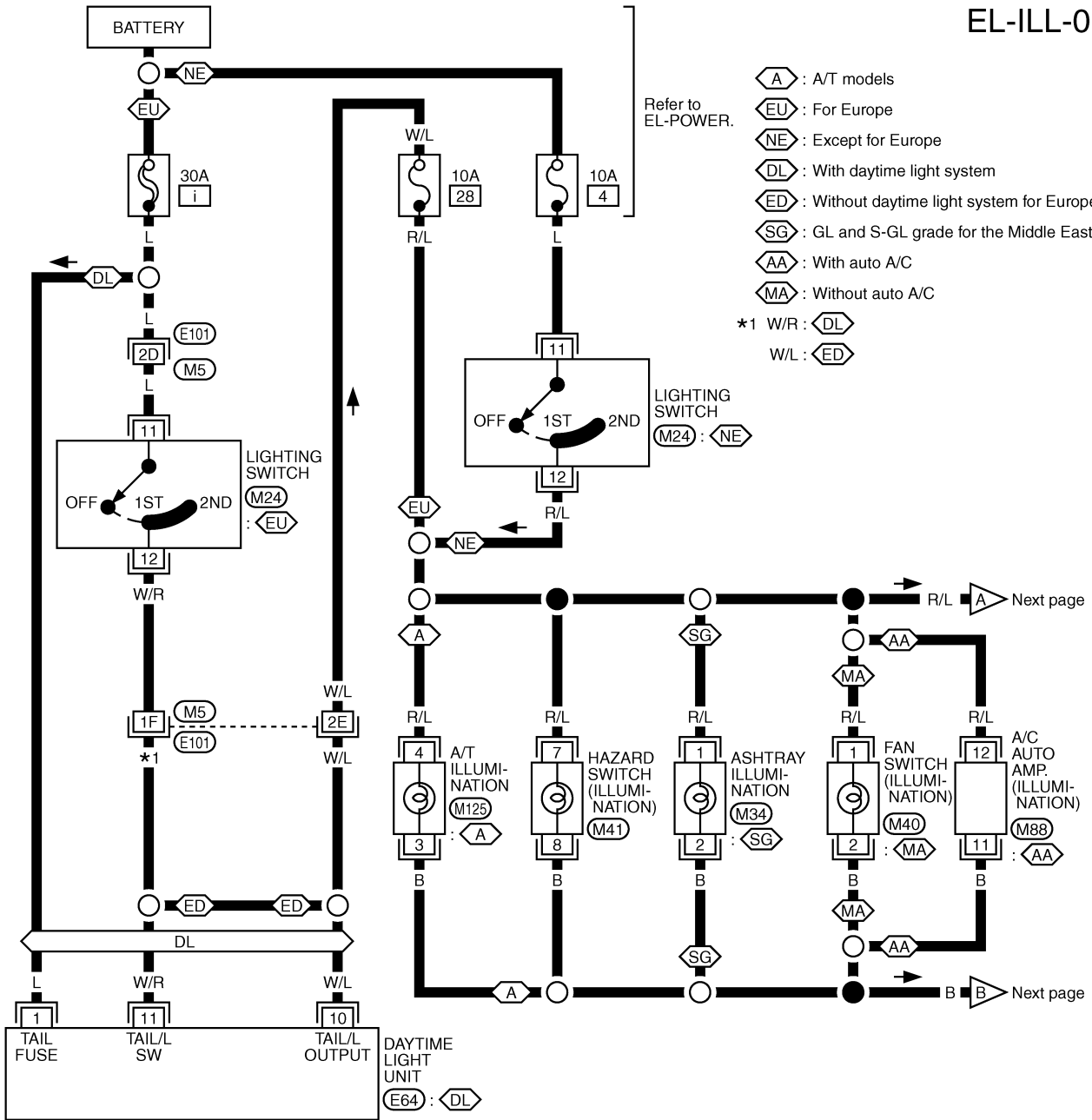


GI
MA
EM
LC
EC
FE
CL
MT
AT
TF
PD
FA
RA
BR
ST
RS
BT
HA
EL
IDX

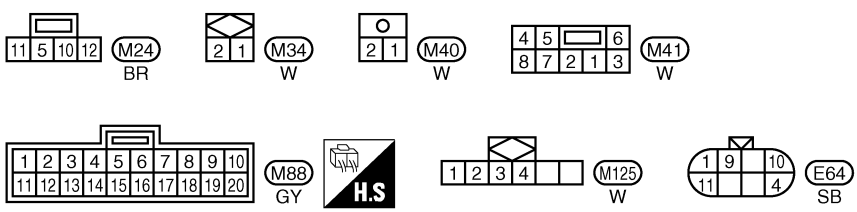
ILLUMINATION

Wiring Diagram — ILL —/LHD Models

EL-ILL-01



- Refer to EL-POWER.
- (A) : A/T models
- (EU) : For Europe
- (NE) : Except for Europe
- (DL) : With daytime light system
- (ED) : Without daytime light system for Europe
- (SG) : GL and S-GL grade for the Middle East
- (AA) : With auto A/C
- (MA) : Without auto A/C
- *1 W/R: (DL)
- W/L: (ED)



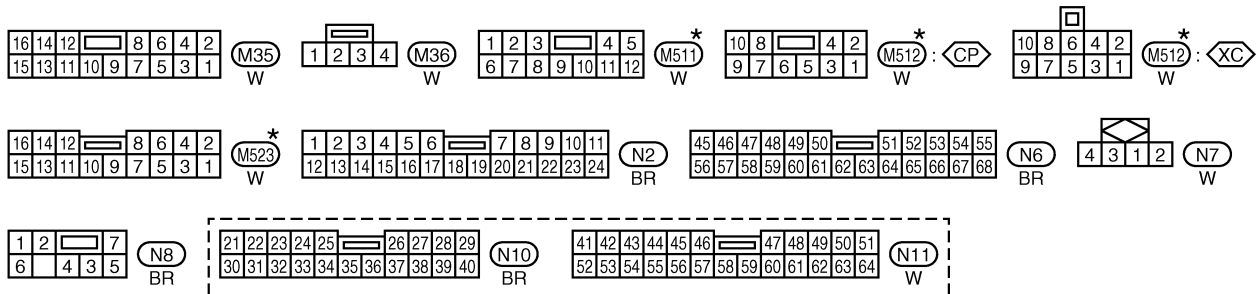
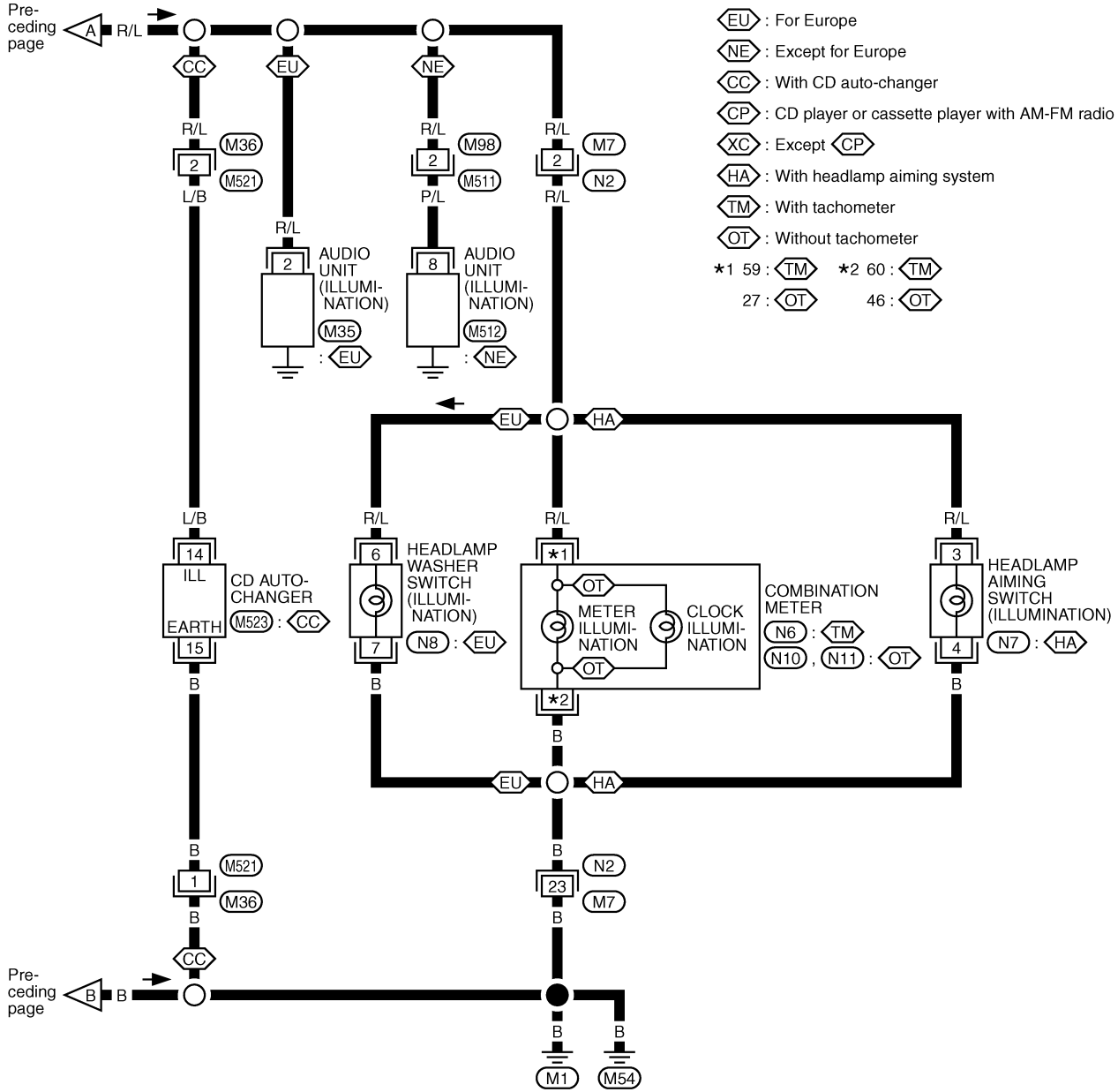
Refer to last page (Foldout page).
(M5), (E101)

GI
MA
EM
LC
EC
FE
CL
MT
AT
TF
PD
FA
RA
BR
ST
RS
BT
HA
EL
IDX

ILLUMINATION

Wiring Diagram — ILL —/LHD Models (Cont'd)

EL-ILL-02

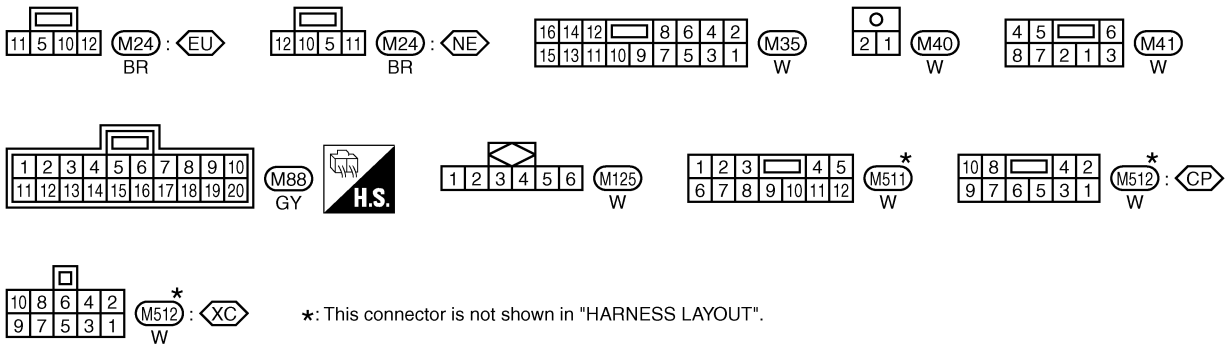
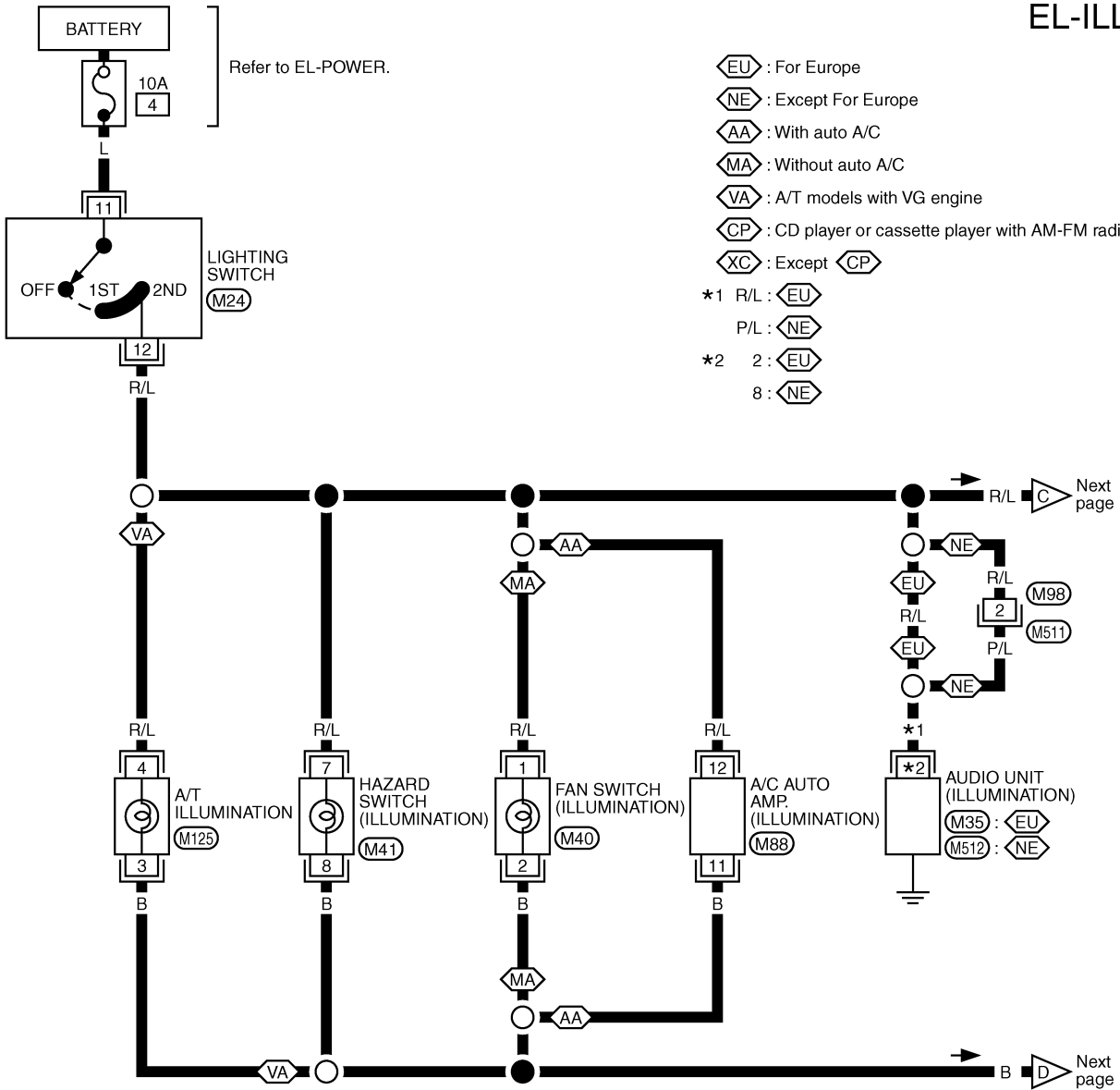


*: This connector is not shown in "HARNESS LAYOUT".

ILLUMINATION

Wiring Diagram — ILL —/RHD Models

EL-ILL-03

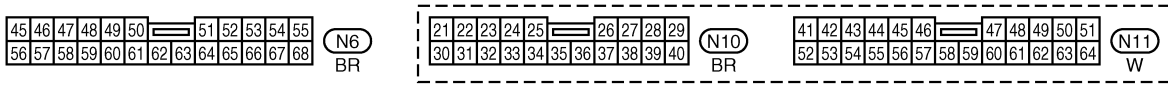
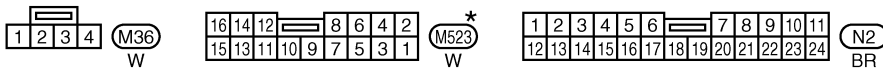
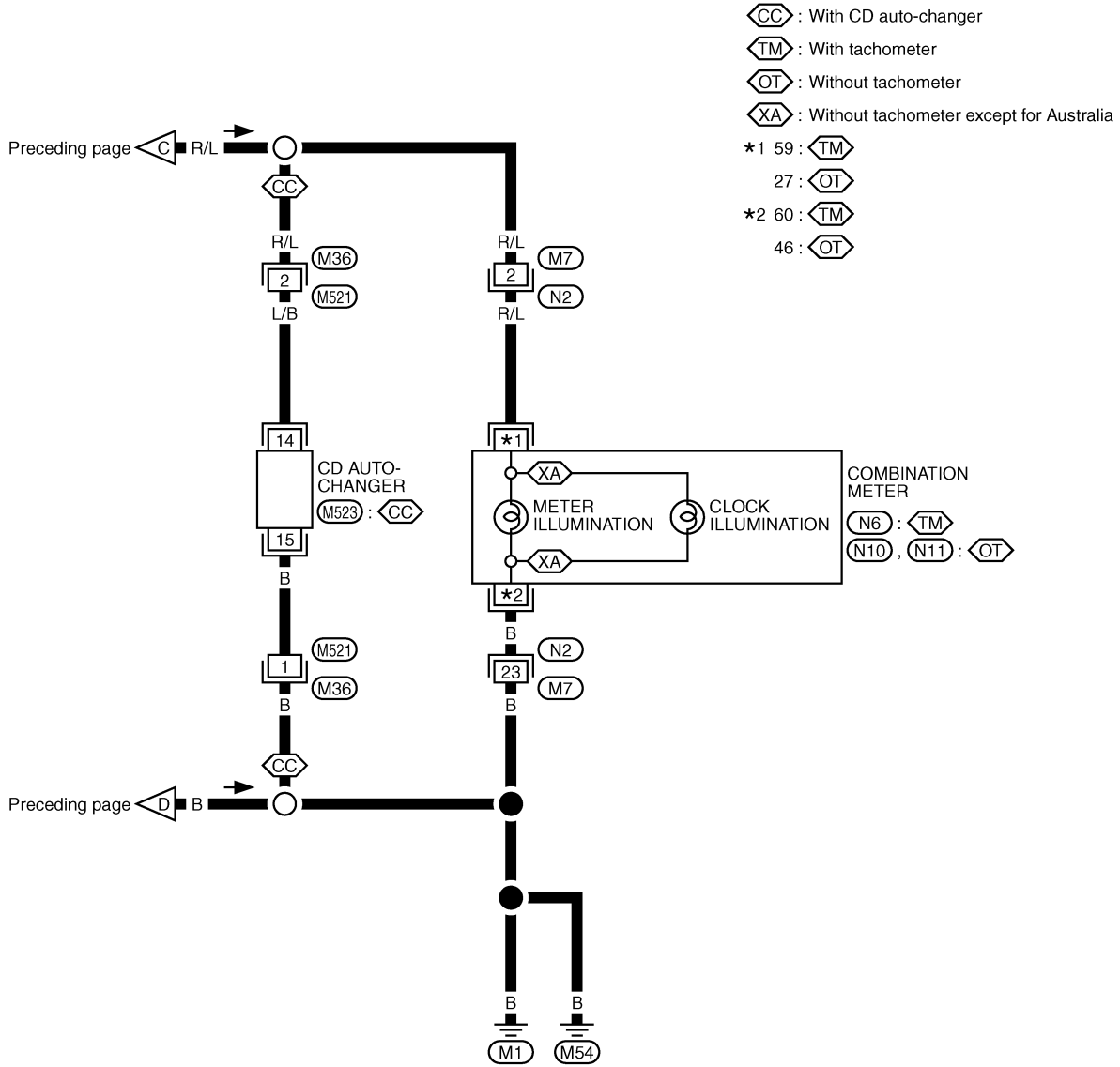


GI
MA
EM
LC
EC
FE
CL
MT
AT
TF
PD
FA
RA
BR
ST
RS
BT
HA
EL
IDX

ILLUMINATION

Wiring Diagram — ILL —/RHD Models (Cont'd)

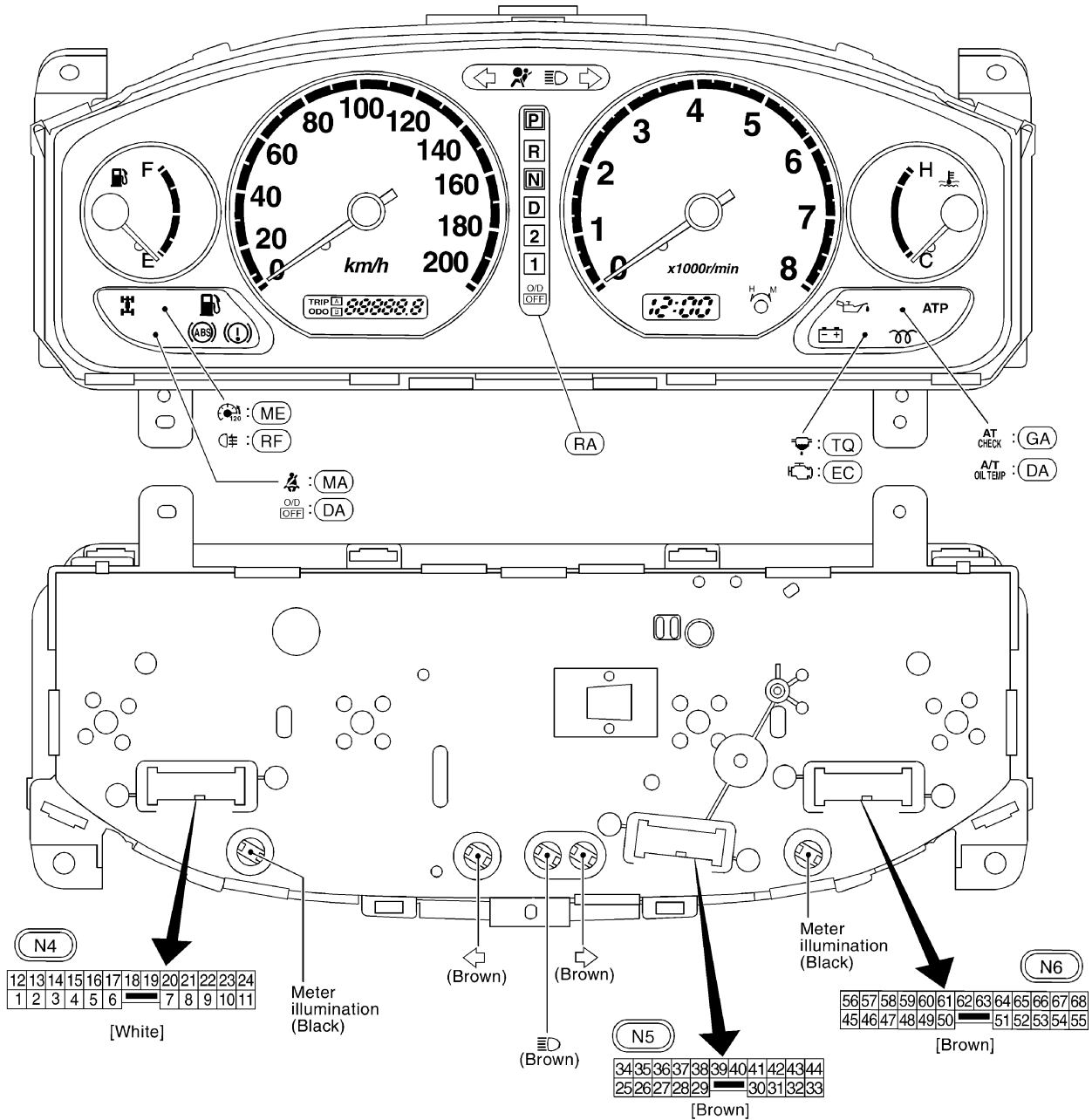
EL-ILL-04



*: This connector is not shown in "HARNESS LAYOUT".

METER AND GAUGES

Combination Meter/With Tachometer



Bulb socket color	Bulb wattage
Brown	1.4W
Black	3.0W

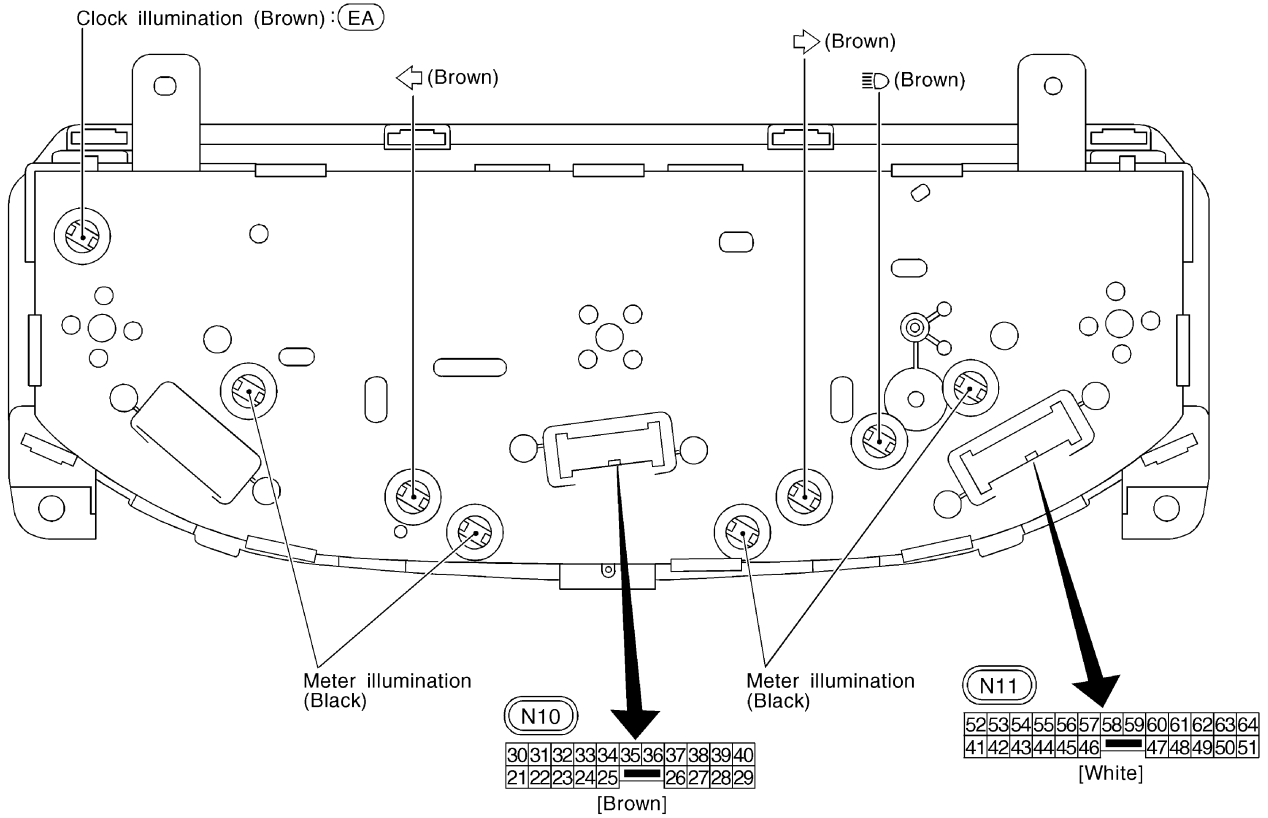
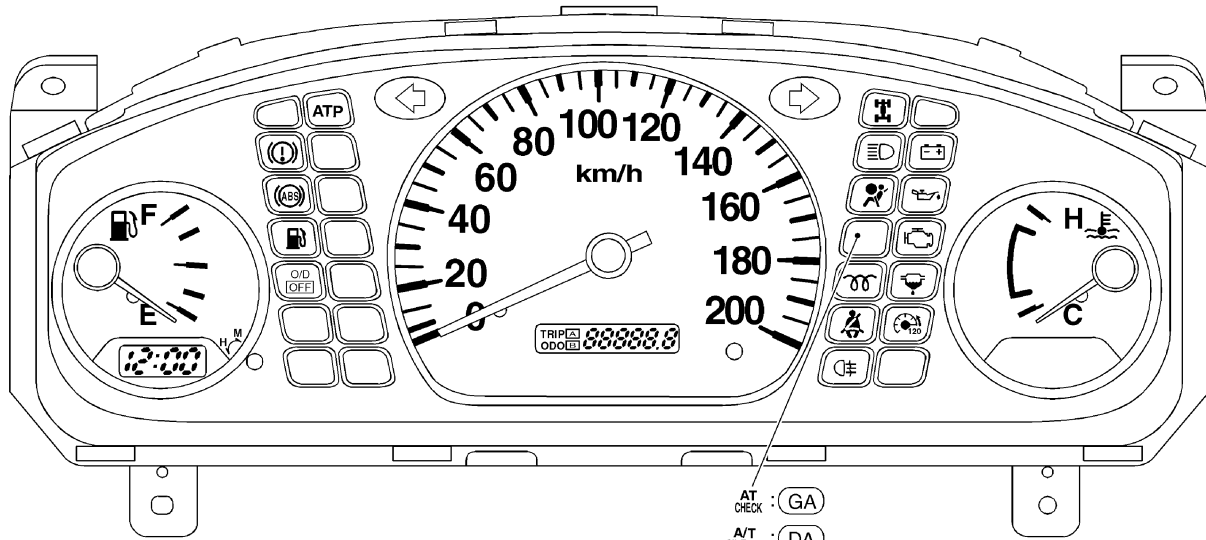
() : Bulb socket color

- (ME) : For the Middle East
- (RF) : With rear fog lamp
- (TQ) : TD and QD engines
- (EC) : With ECM control engine
- (DA) : With A/T and QD engine
- (GA) : LHD models with A/T and KA engine
- (RA) : RHD models with A/T
- (MA) : For Australia and the Middle East

GI
MA
EM
LC
EC
FE
CL
MT
AT
TF
PD
FA
RA
BR
ST
RS
BT
HA
EL
IDX

METER AND GAUGES

Combination Meter/Without Tachometer



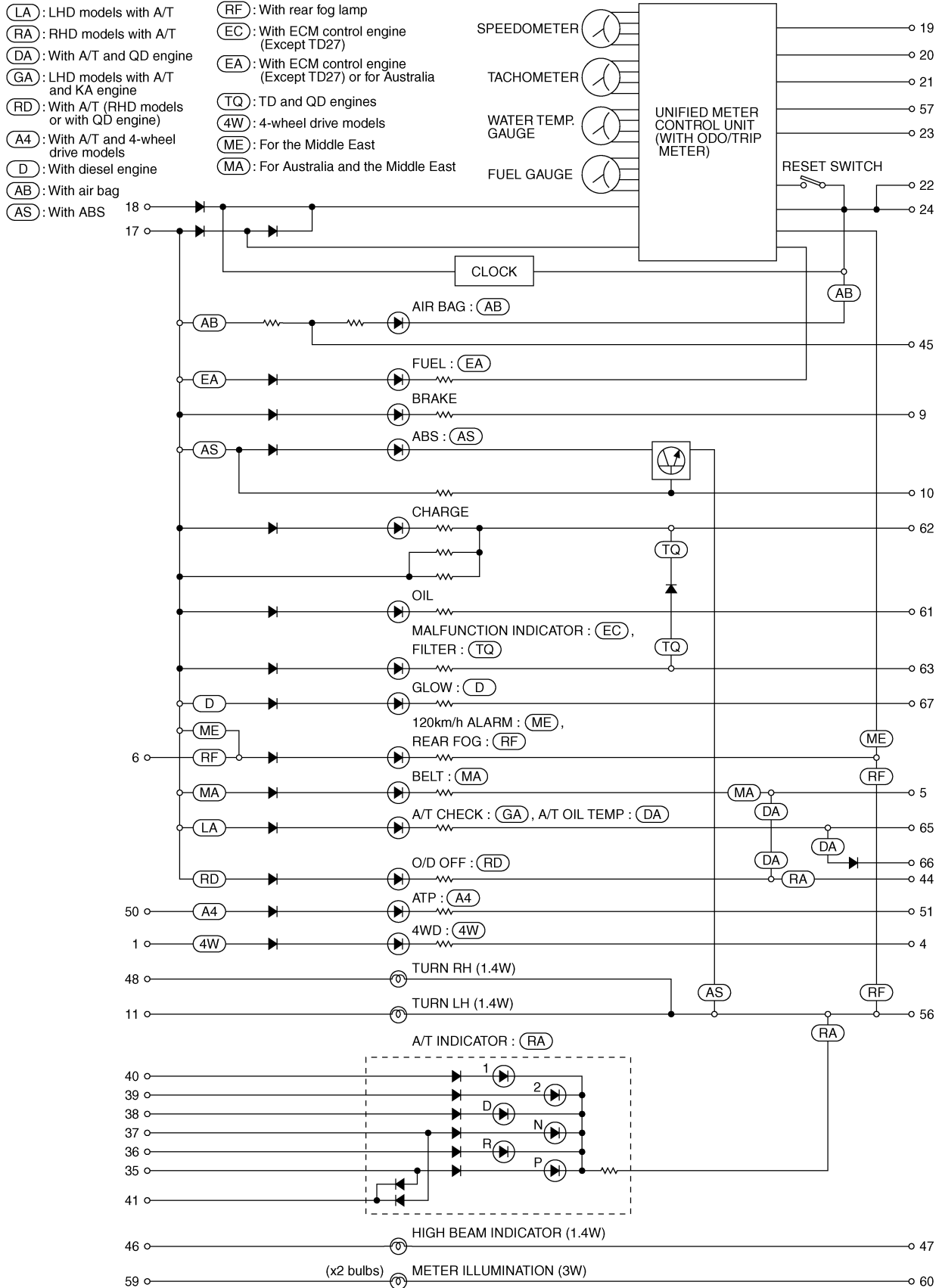
Bulb socket color	Bulb wattage
Brown	1.4W
Black	3.0W

- (EA) : Except for Australia
- (DA) : With A/T and QD engine
- (GA) : LHD models with A/T and KA engine

() : Bulb socket color

METER AND GAUGES

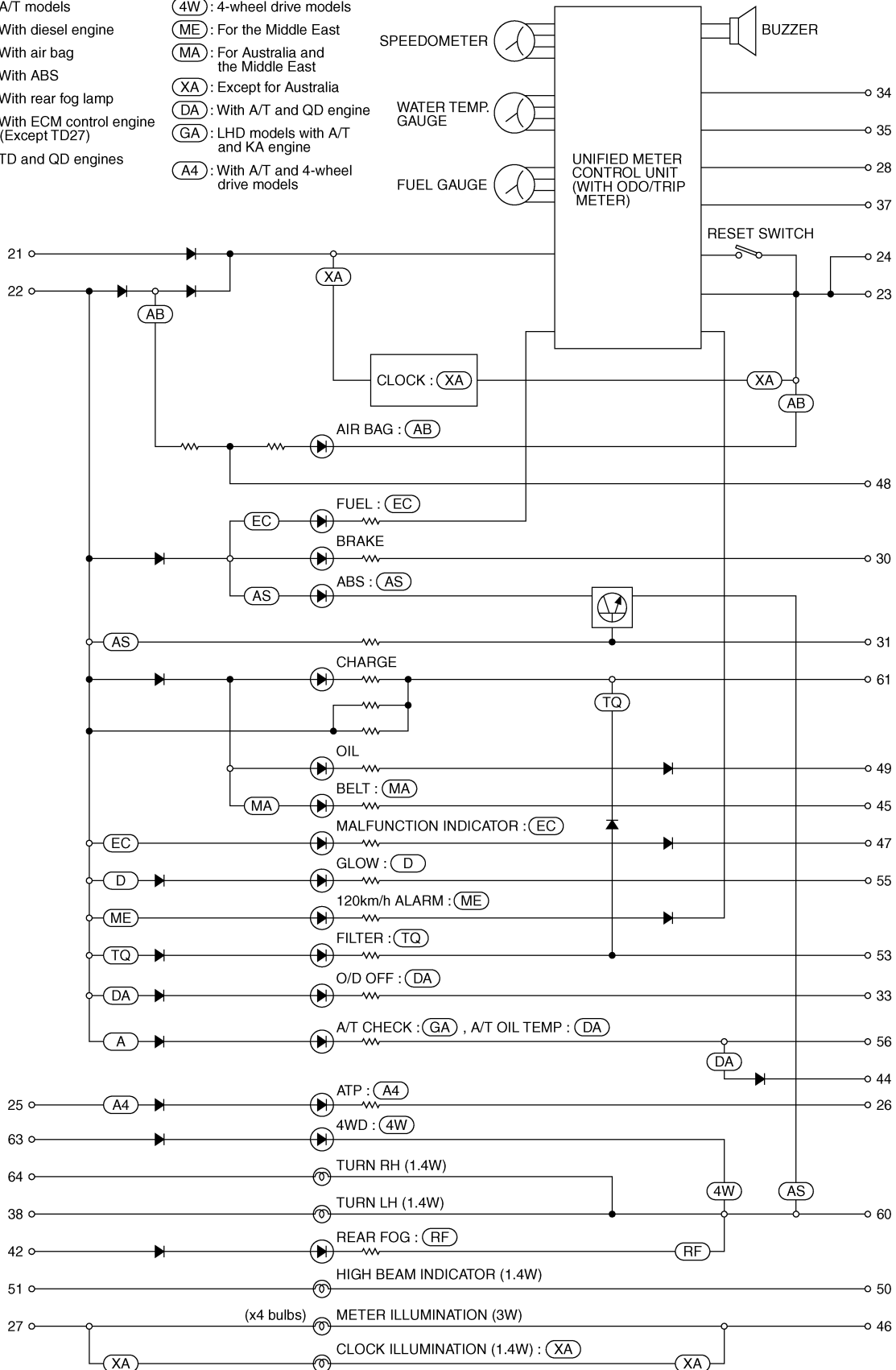
Schematic/With Tachometer



METER AND GAUGES

Schematic/Without Tachometer

- (A) : A/T models
- (D) : With diesel engine
- (AB) : With air bag
- (AS) : With ABS
- (RF) : With rear fog lamp
- (EC) : With ECM control engine (Except TD27)
- (TQ) : TD and QD engines
- (4W) : 4-wheel drive models
- (ME) : For the Middle East
- (MA) : For Australia and the Middle East
- (XA) : Except for Australia
- (DA) : With A/T and QD engine
- (GA) : LHD models with A/T and KA engine
- (A4) : With A/T and 4-wheel drive models



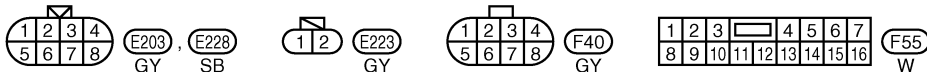
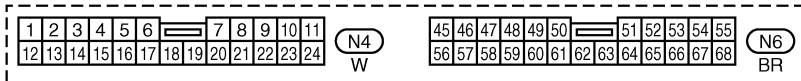
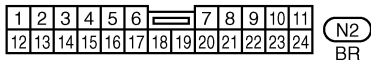
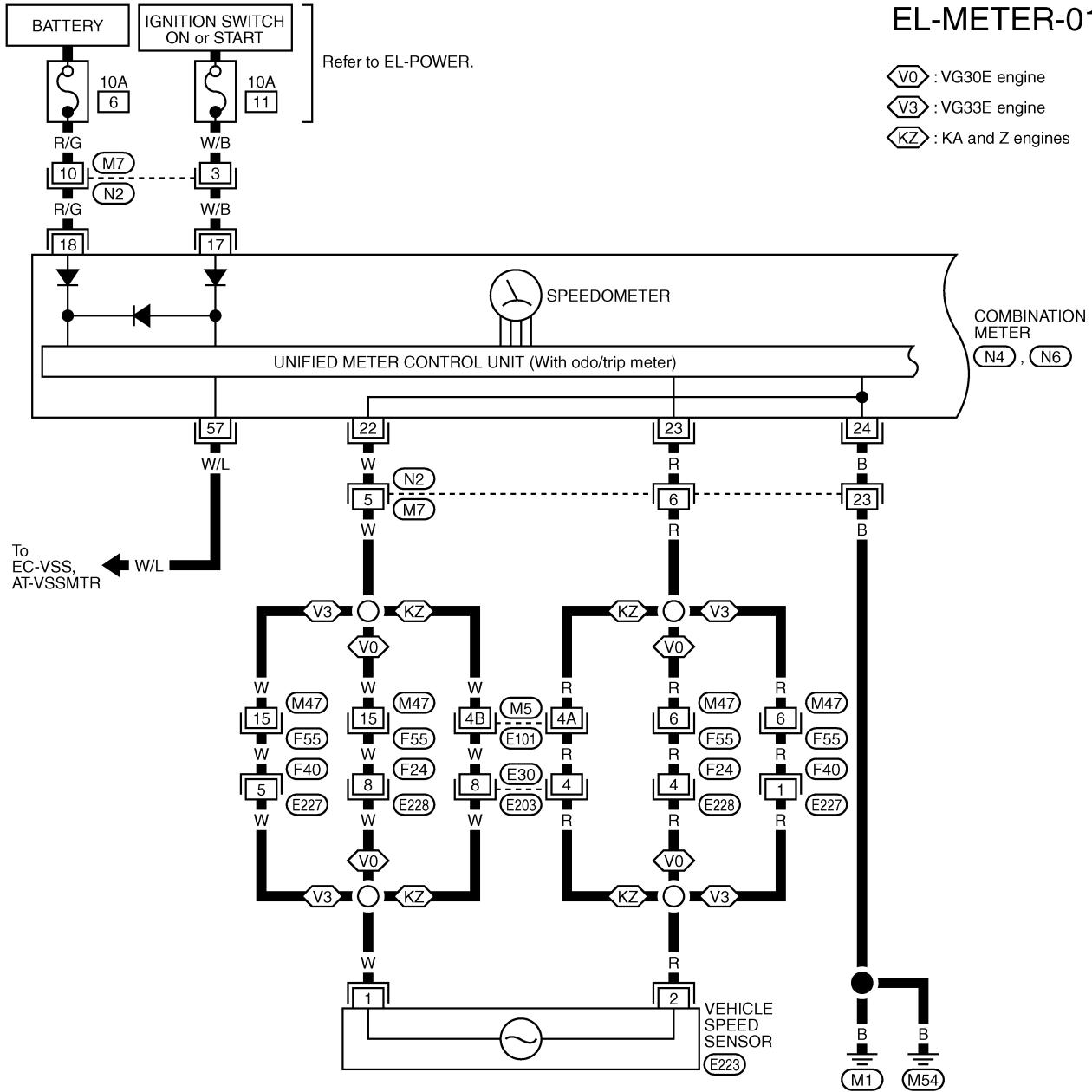
METER AND GAUGES

Wiring Diagram — METER —/Gasoline Engine with Tachometer

GI
MA
EM
LC
EC
FE
CL
MT
AT
TF
PD
FA
RA
BR
ST
RS
BT
HA
EL
IDX

EL-METER-01

- : VG30E engine
- : VG33E engine
- : KA and Z engines



Refer to last page (Foldout page).

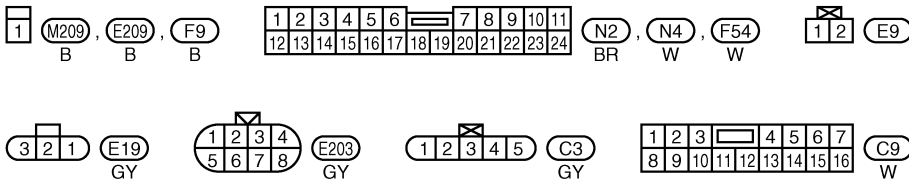
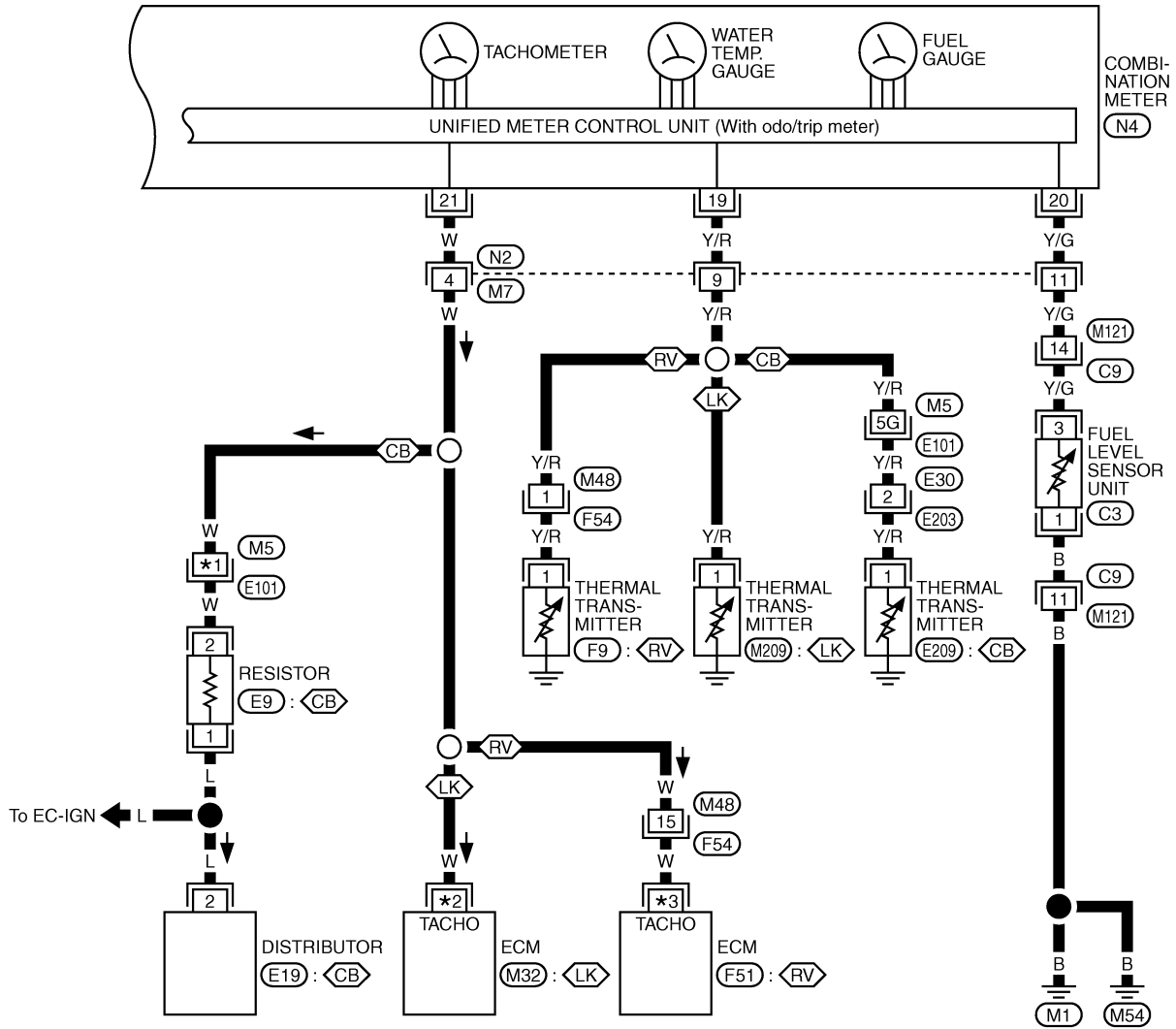
,

METER AND GAUGES

Wiring Diagram — METER —/Gasoline Engine with Tachometer (Cont'd)

EL-METER-02

- L : LHD models
- R : RHD models
- EU : For Europe
- NE : Except for Europe
- CB : Carburetor engine
- VG : VG engine
- LK : LHD models with KA engine
- RK : RHD models with KA engine
- RV : RHD models with KA engine and VG engine
- *1 3C : L *2 3 : EU *3 18 : RK
- 6A : R 18 : NE 7 : VG



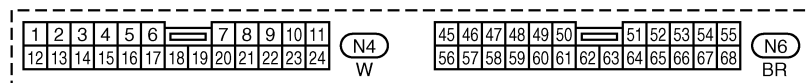
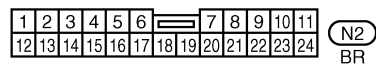
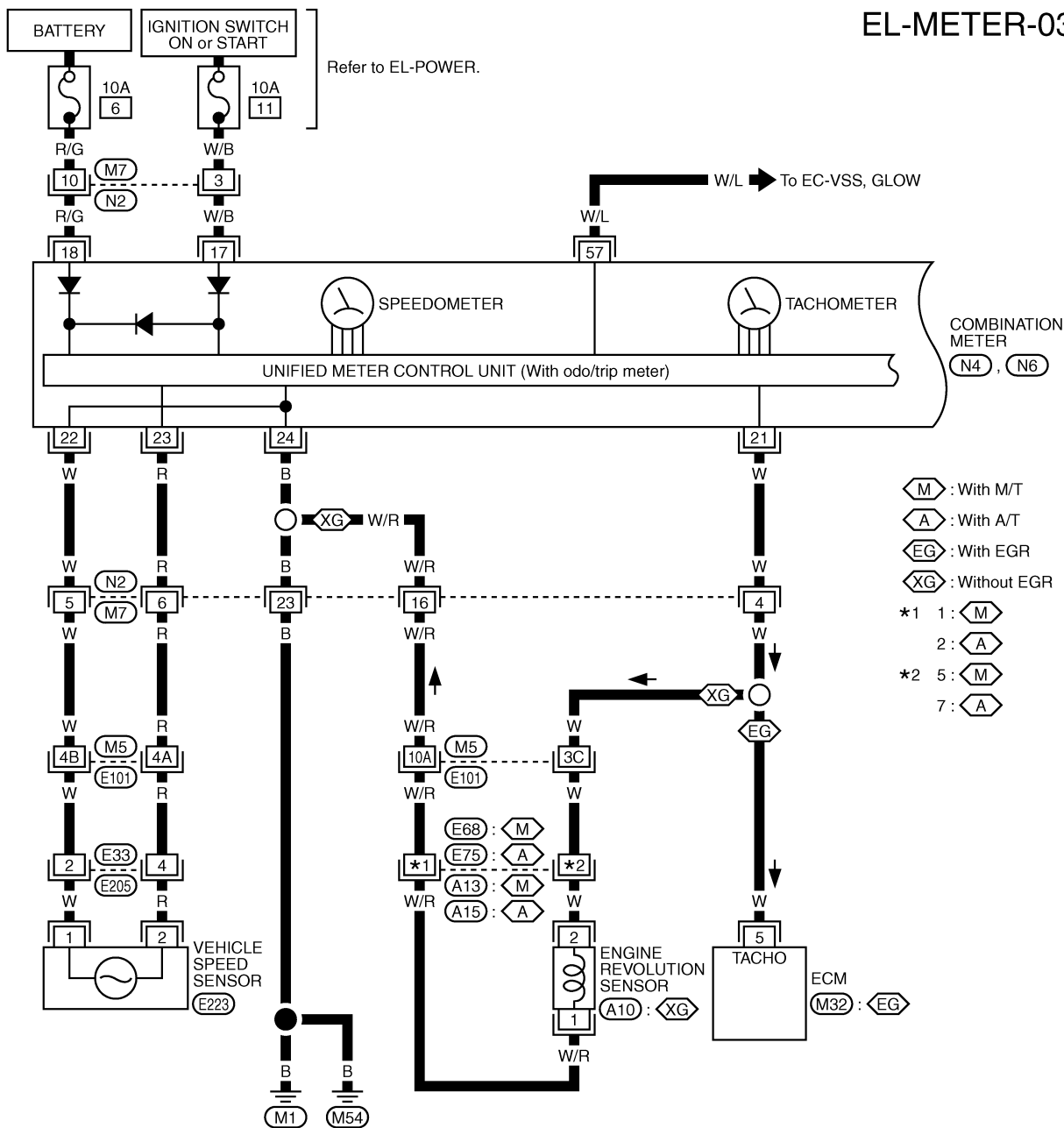
Refer to last page (Foldout page).

- M5, E101
- M32
- F51

METER AND GAUGES

Wiring Diagram — METER —/LHD Diesel Engine Models with Tachometer

EL-METER-03



Refer to last page (Foldout page).









(M5), (E101)
(M32)

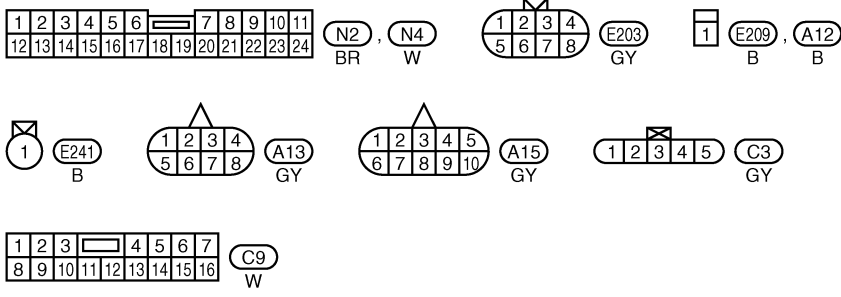
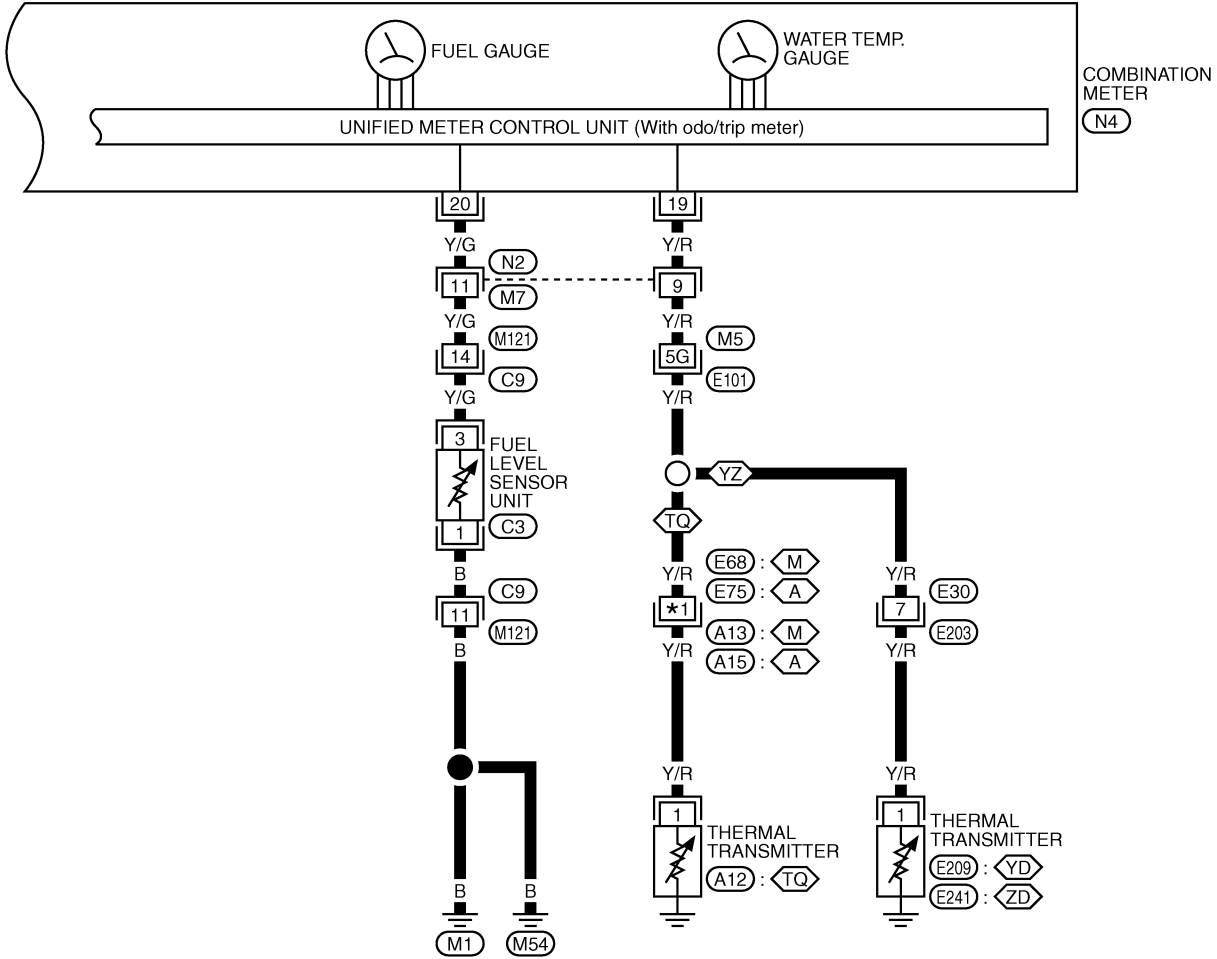
GI
MA
EM
LC
EC
FE
CL
MT
AT
TF
PD
FA
RA
BR
ST
RS
BT
HA
EL
IDX

METER AND GAUGES

Wiring Diagram — METER —/LHD Diesel Engine Models with Tachometer (Cont'd)

EL-METER-04

-  : With M/T
 -  : With A/T
 -  : YD engine
 -  : ZD engine
 -  : YD and ZD engines
 -  : TD and QD engines
- *1 7 : 
 - 9 : 

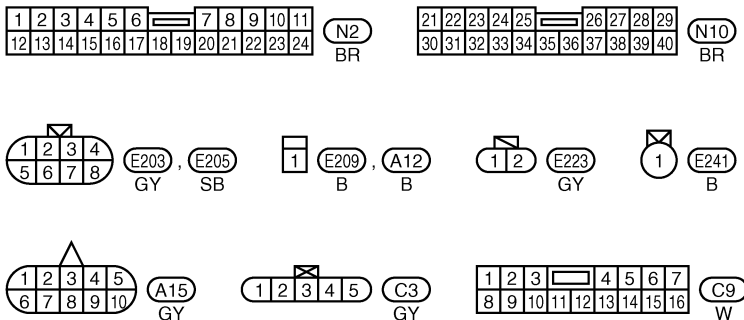
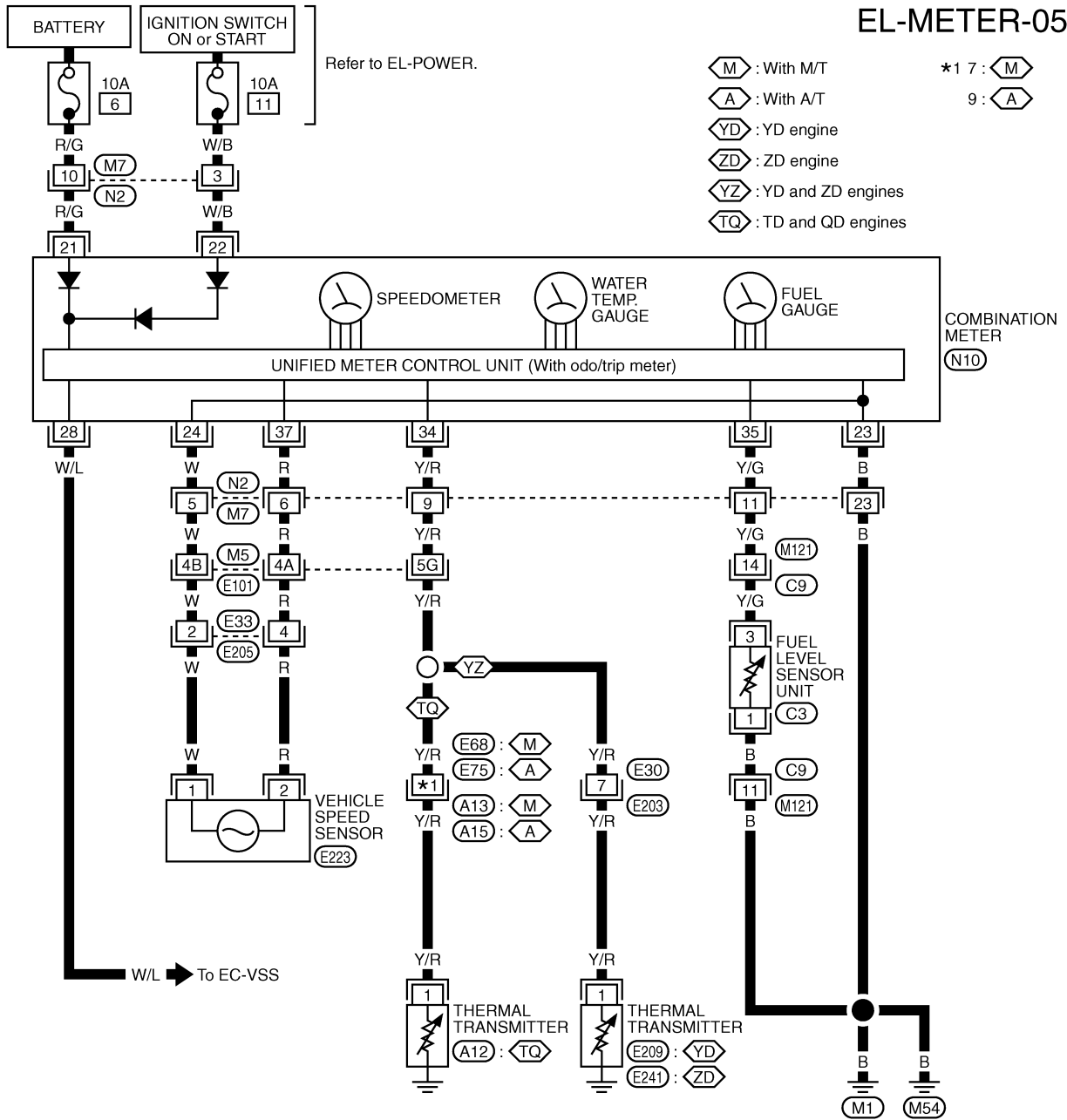


Refer to last page (Foldout page).
 (M5), (E101)

METER AND GAUGES

Wiring Diagram — METER —/Diesel Engine without Tachometer

EL-METER-05



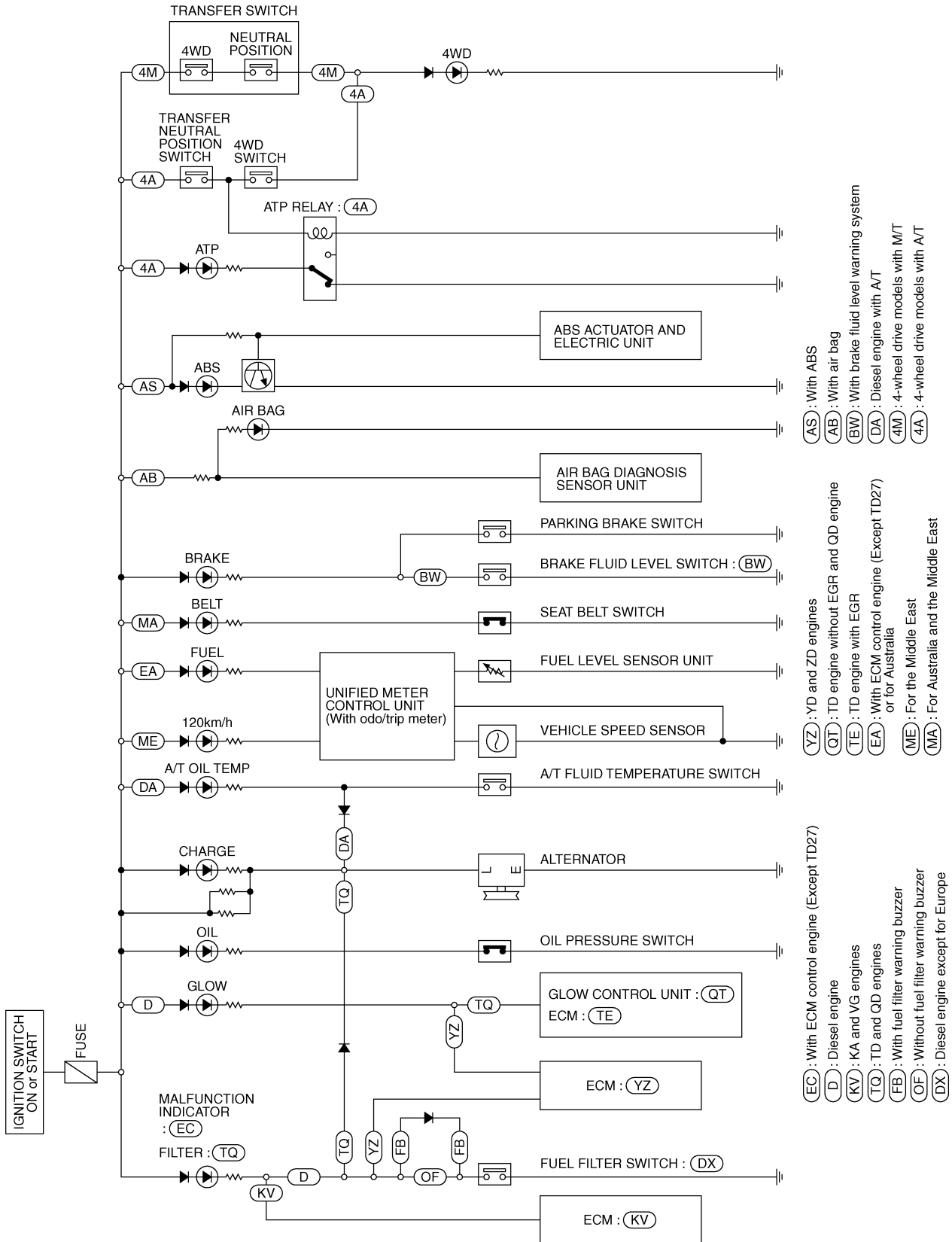
Refer to last page (Foldout page).

(M5), (E101)

GI
MA
EM
LC
EC
FE
CL
MT
AT
TF
PD
FA
RA
BR
ST
RS
BT
HA
EL
IDX

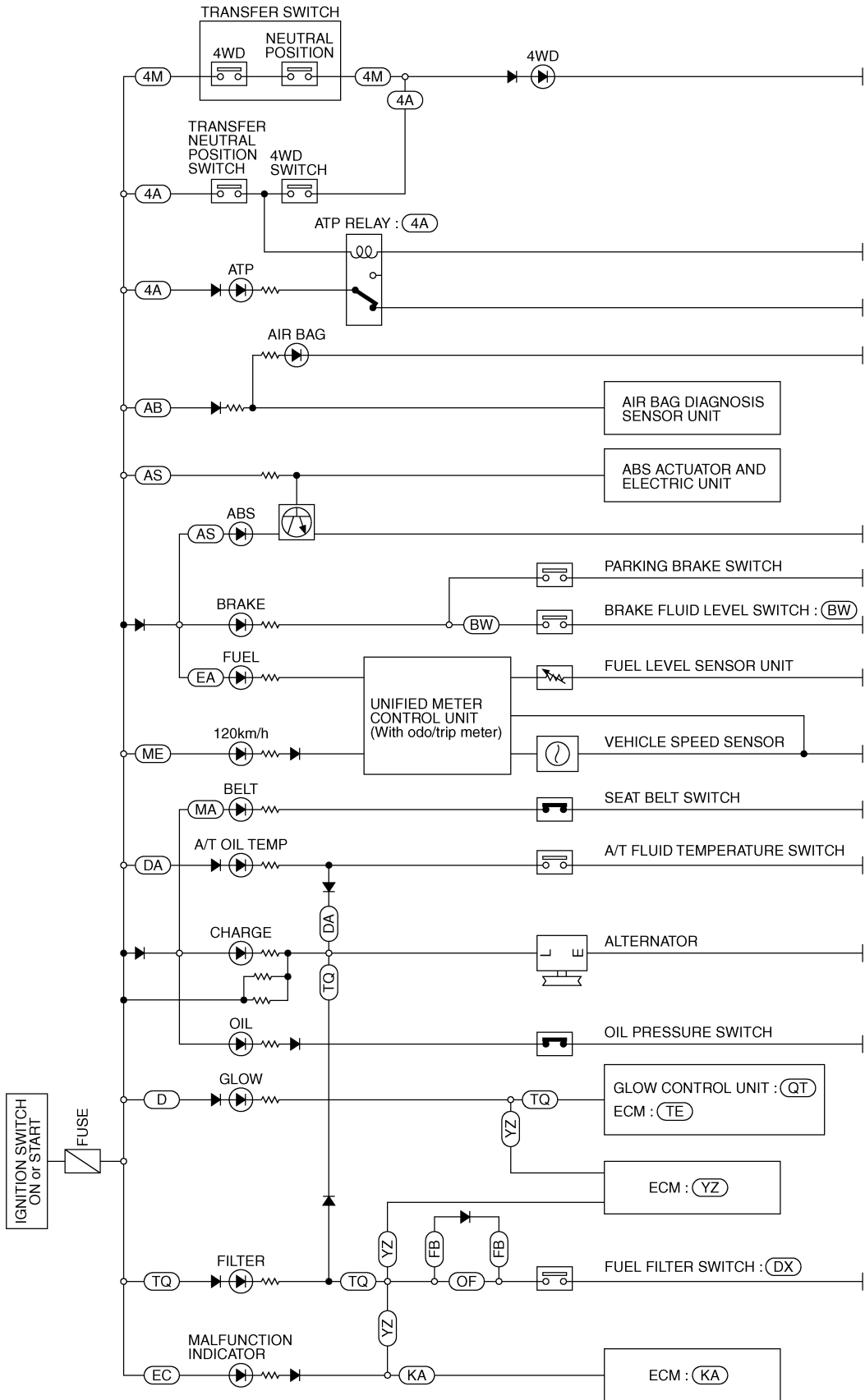
WARNING LAMPS

Schematic/With Tachometer



WARNING LAMPS

Schematic/Without Tachometer



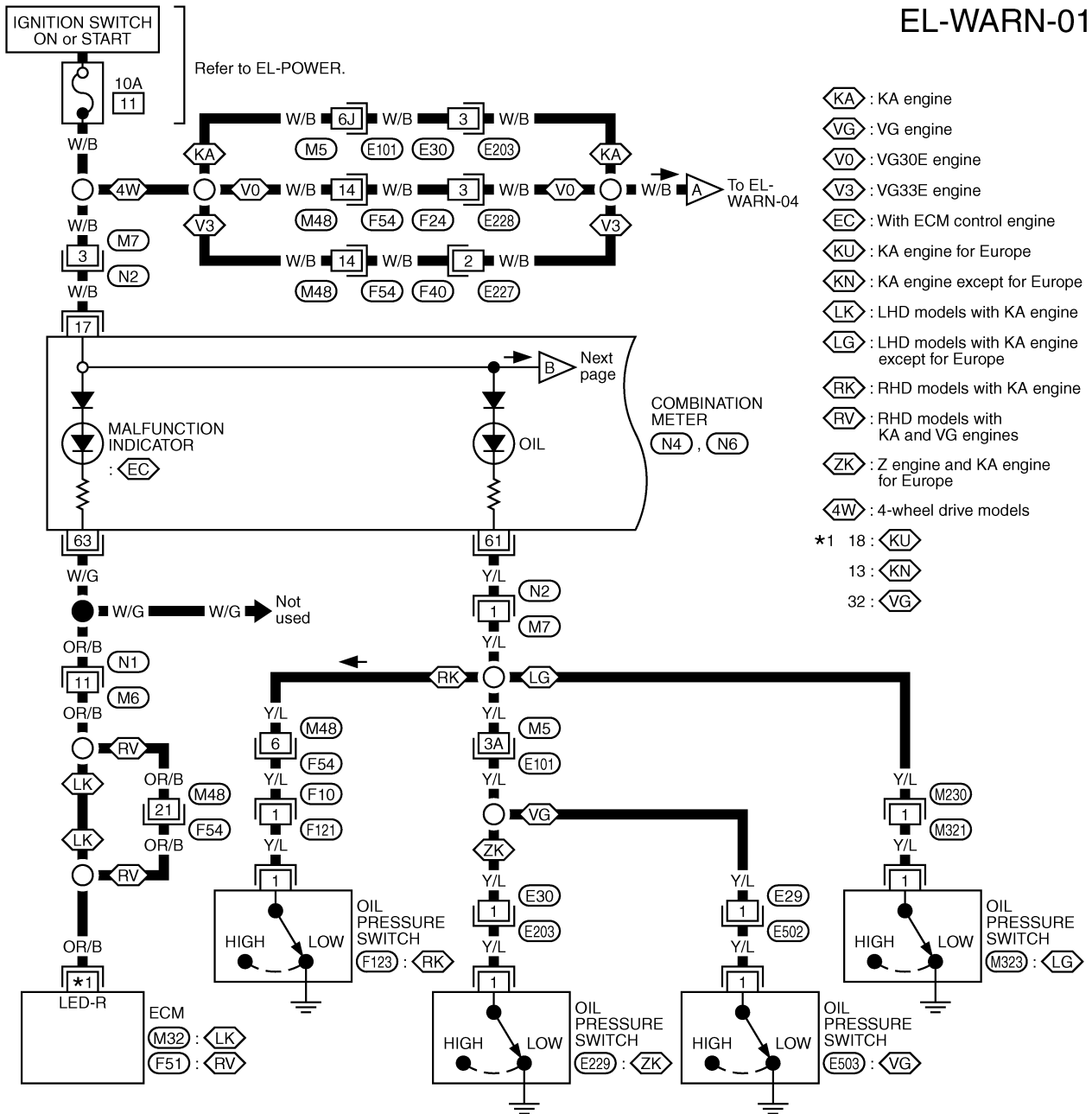
- (AS) : With ABS
- (AB) : With air bag
- (BW) : With brake fluid level warning system
- (DA) : Diesel engine with A/T
- (4M) : 4-wheel drive models with M/T
- (4A) : 4-wheel drive models with A/T
- (YZ) : YD and ZD engines
- (QT) : TD engine without EGR and QD engine
- (TE) : TD engine with EGR
- (MA) : For Australia and the Middle East
- (ME) : For the Middle East
- (EA) : With ECM control engine (Except TD27) or for Australia
- (EC) : With ECM control engine (Except TD27)
- (D) : Diesel engine
- (KA) : KA engine
- (TQ) : TD and QD engines
- (FB) : With fuel filter warning buzzer
- (OF) : Without fuel filter warning buzzer
- (DX) : Diesel engine except for Europe

- GI
- MA
- EM
- LC
- EC
- FE
- CL
- MT
- AT
- TF
- PD
- FA
- RA
- BR
- ST
- RS
- BT
- HA
- EL
- IDX

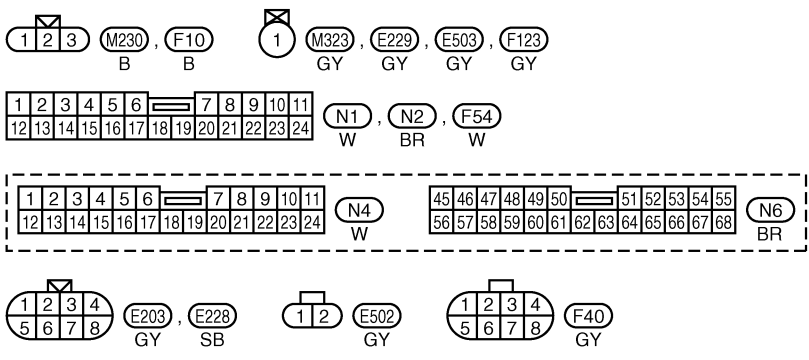
WARNING LAMPS

Wiring Diagram — WARN —/Gasoline Engine with Tachometer

EL-WARN-01



- ⬡ KA : KA engine
 - ⬡ VG : VG engine
 - ⬡ V0 : VG30E engine
 - ⬡ V3 : VG33E engine
 - ⬡ EC : With ECM control engine
 - ⬡ KU : KA engine for Europe
 - ⬡ KN : KA engine except for Europe
 - ⬡ LK : LHD models with KA engine
 - ⬡ LG : LHD models with KA engine except for Europe
 - ⬡ RK : RHD models with KA engine
 - ⬡ RV : RHD models with KA and VG engines
 - ⬡ ZK : Z engine and KA engine for Europe
 - ⬡ 4W : 4-wheel drive models
- *1 18 : ⬡ KU
 13 : ⬡ KN
 32 : ⬡ VG

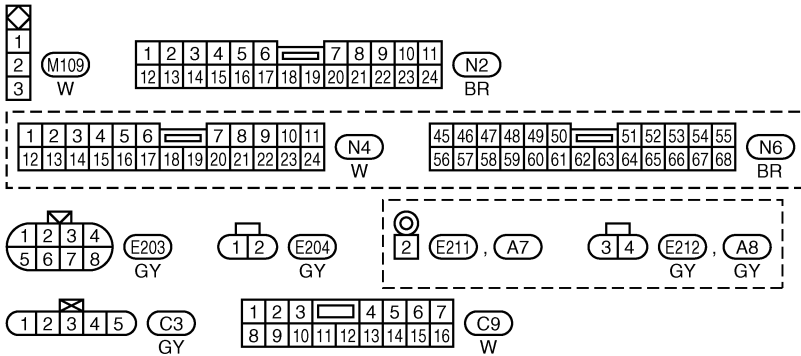
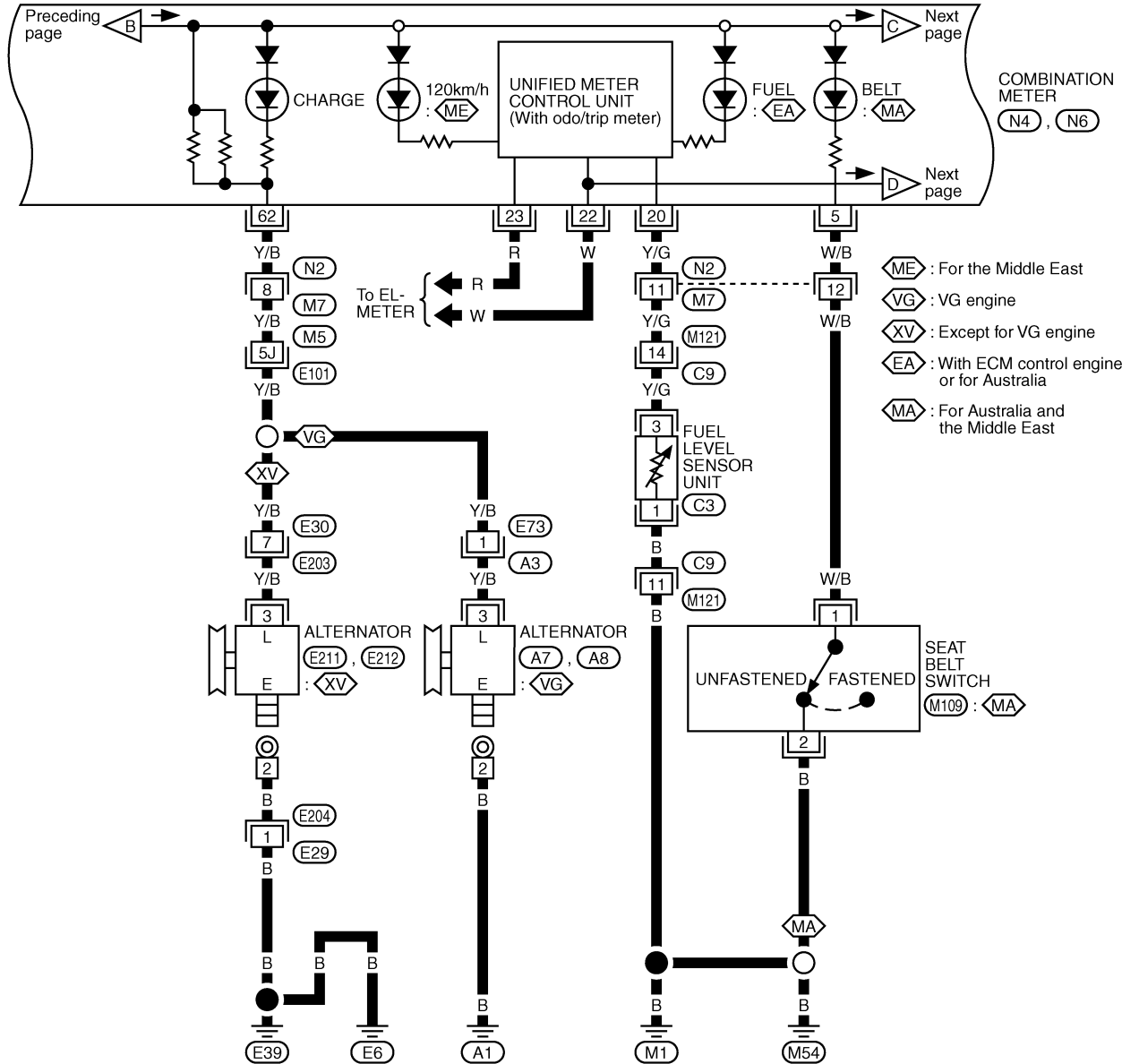


Refer to last page (Foldout page).
 ⬡ M5 , E101
 ⬡ M32
 ⬡ F51

WARNING LAMPS

Wiring Diagram — WARN —/Gasoline Engine with Tachometer (Cont'd)

EL-WARN-02



Refer to last page (Foldout page).

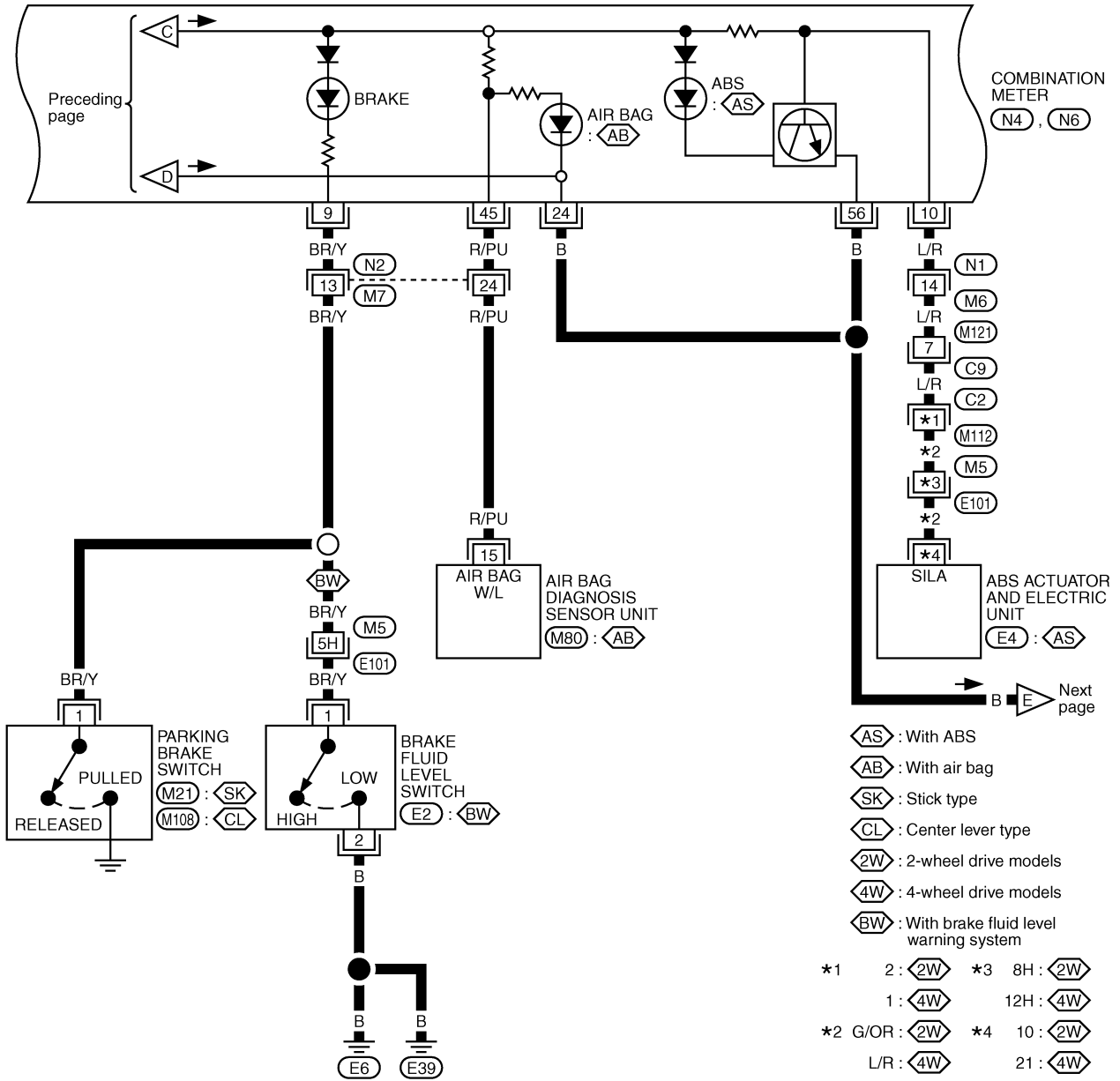
(M5), (E101)

GI
MA
EM
LC
EC
FE
CL
MT
AT
TF
PD
FA
RA
BR
ST
RS
BT
HA
EL
IDX

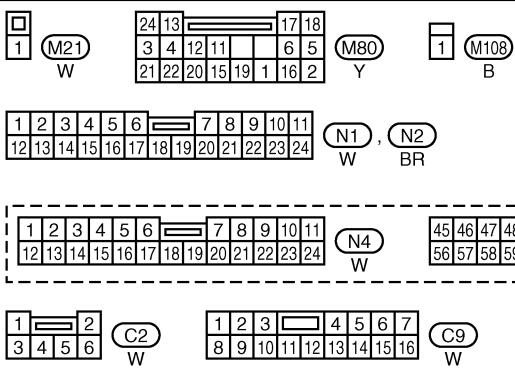
WARNING LAMPS

Wiring Diagram — WARN —/Gasoline Engine with Tachometer (Cont'd)

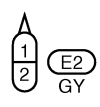
EL-WARN-03



- AS : With ABS
- AB : With air bag
- SK : Stick type
- CL : Center lever type
- 2W : 2-wheel drive models
- 4W : 4-wheel drive models
- BW : With brake fluid level warning system
- *1 2: 2W *3 8H: 2W
- 1: 4W 12H: 4W
- *2 G/OR: 2W *4 10: 2W
- L/R: 4W 21: 4W



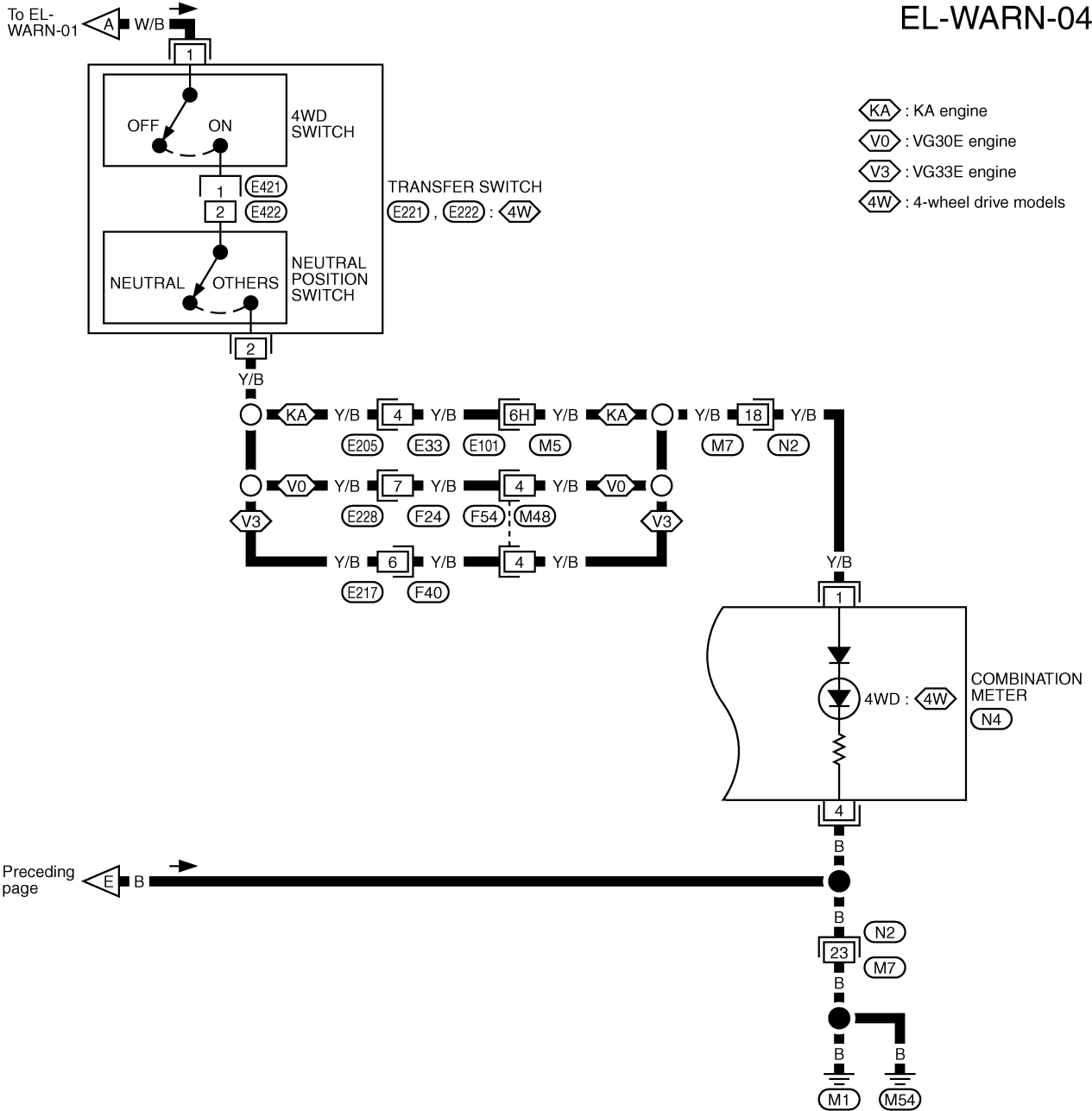
Refer to last page (Foldout page).
 M5, E101
 E4



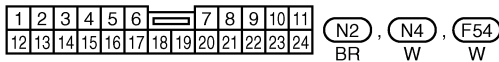
WARNING LAMPS

Wiring Diagram — WARN —/Gasoline Engine with Tachometer (Cont'd)

EL-WARN-04



GI
MA
EM
LC
EC
FE
CL
MT
AT
TF
PD
FA
RA
BR
ST
RS
BT
HA
EL
IDX



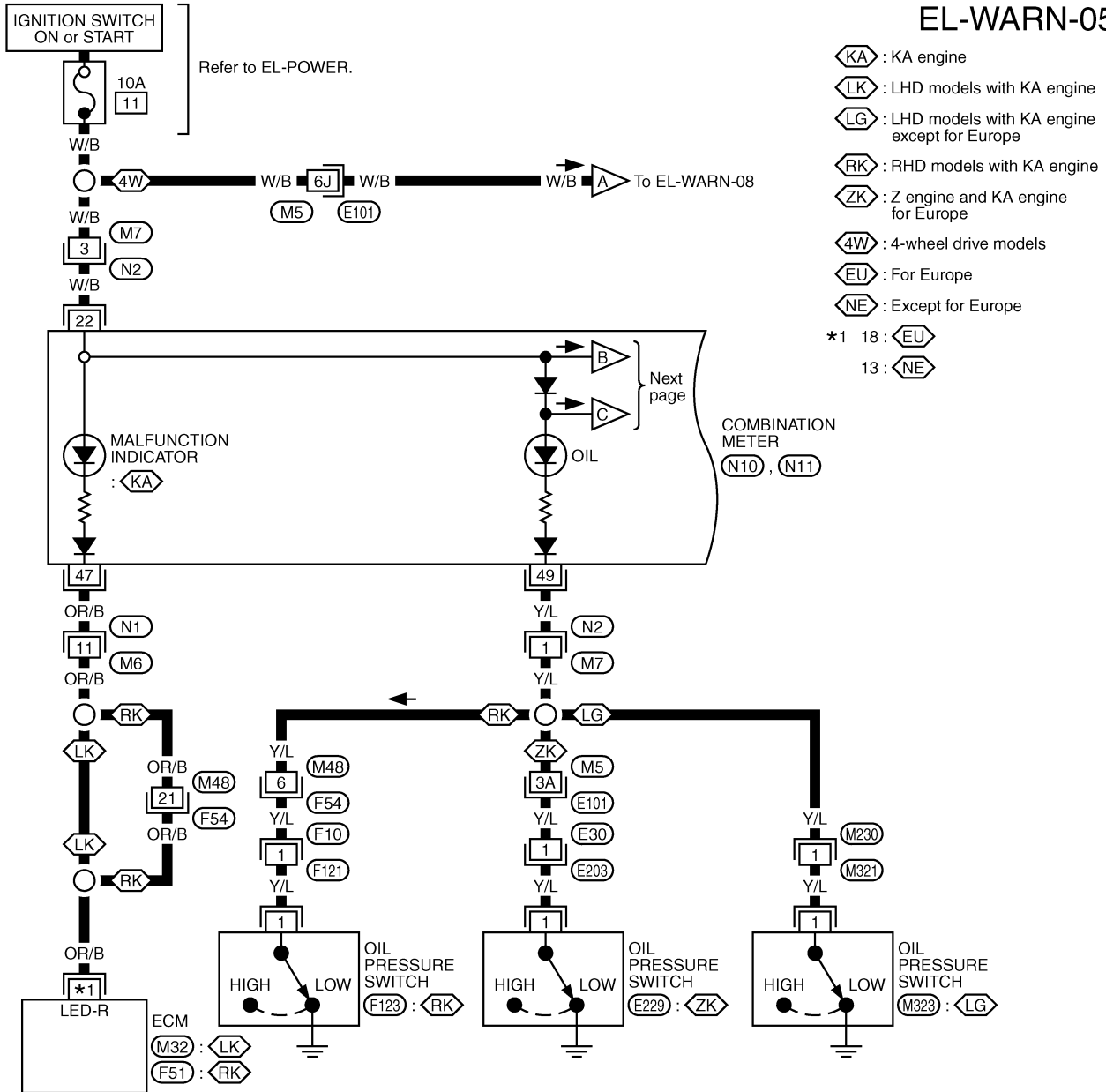
*: This connector is not shown in "HARNESS LAYOUT".

Refer to last page (Foldout page).
M5, E101

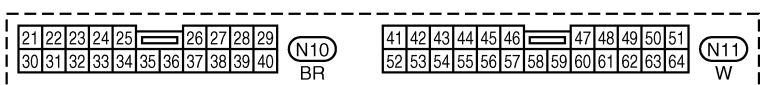
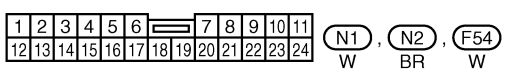
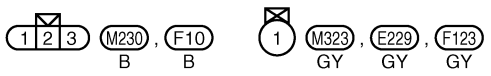
WARNING LAMPS

Wiring Diagram — WARN —/Gasoline Engine without Tachometer

EL-WARN-05



- KA : KA engine
- LK : LHD models with KA engine
- LG : LHD models with KA engine except for Europe
- RK : RHD models with KA engine
- ZK : Z engine and KA engine for Europe
- 4W : 4-wheel drive models
- EU : For Europe
- NE : Except for Europe
- *1 18 : EU
- 13 : NE



Refer to last page (Foldout page).

M5, E101

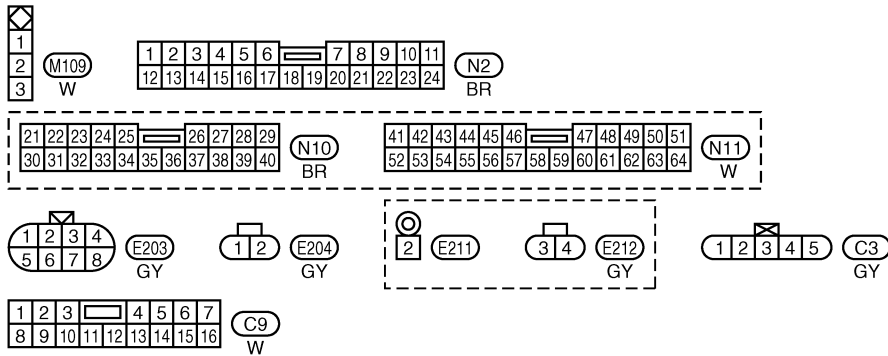
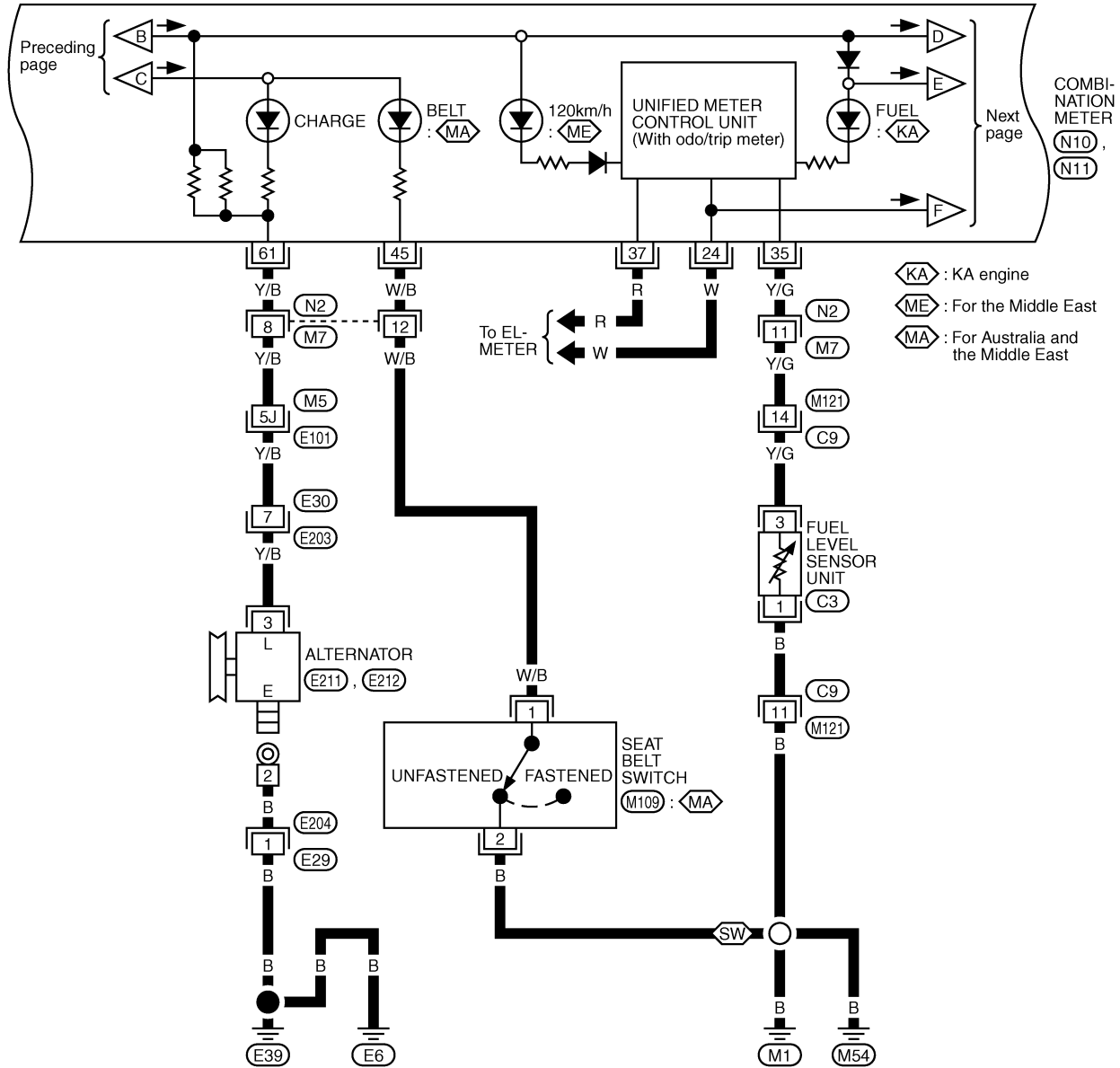
M32

F51

WARNING LAMPS

Wiring Diagram — WARN —/Gasoline Engine without Tachometer (Cont'd)

EL-WARN-06



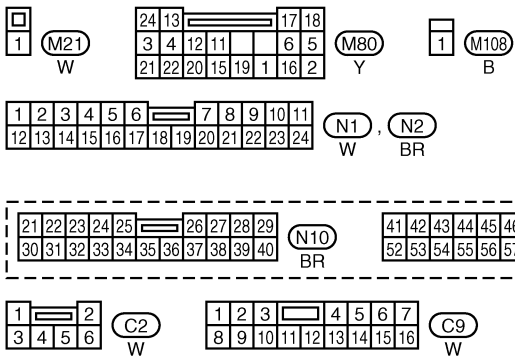
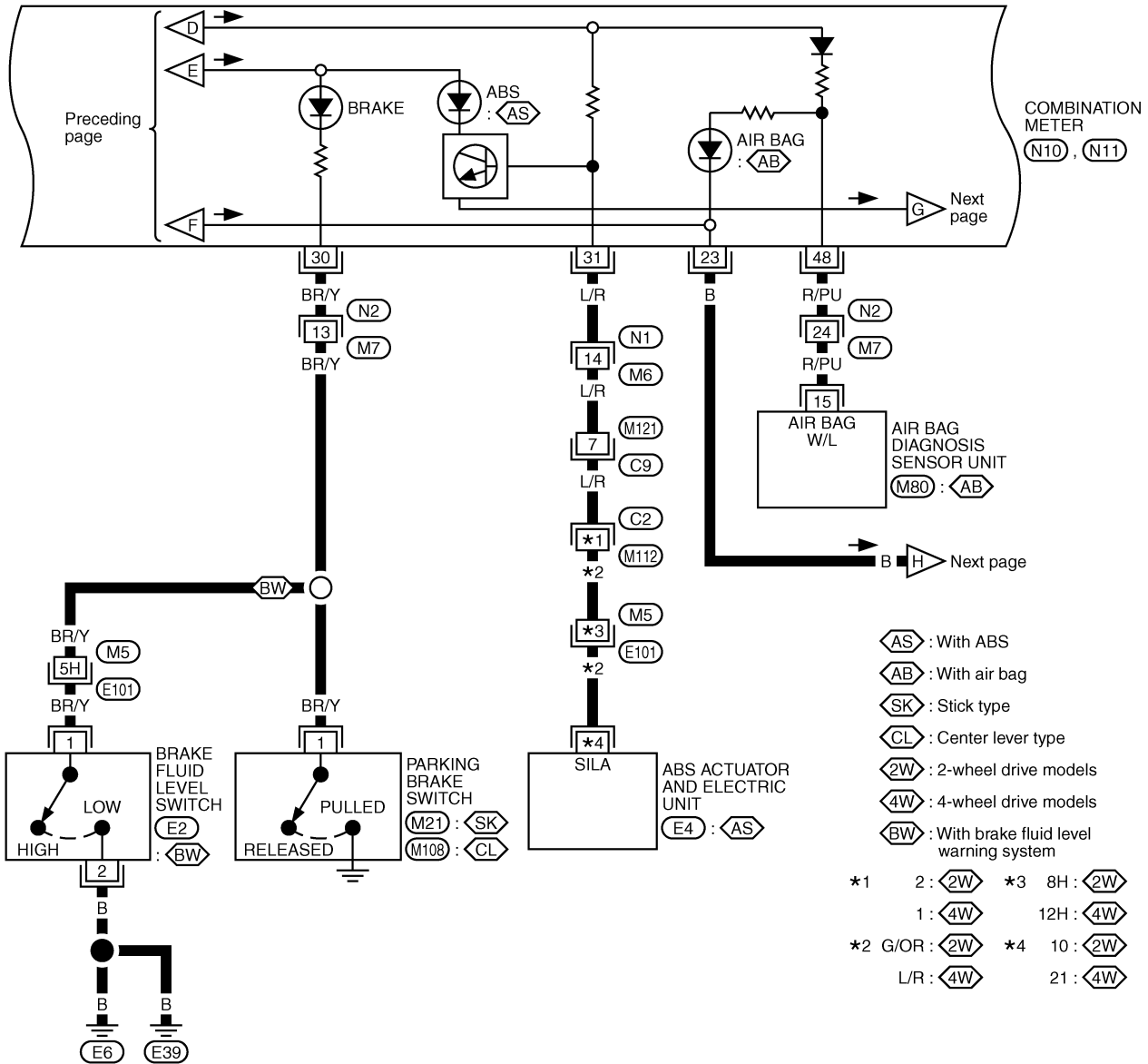
Refer to last page (Foldout page).
(M5), (E101)

GI
MA
EM
LC
EC
FE
CL
MT
AT
TF
PD
FA
RA
BR
ST
RS
BT
HA
EL
IDX

WARNING LAMPS

Wiring Diagram — WARN —/Gasoline Engine without Tachometer (Cont'd)

EL-WARN-07



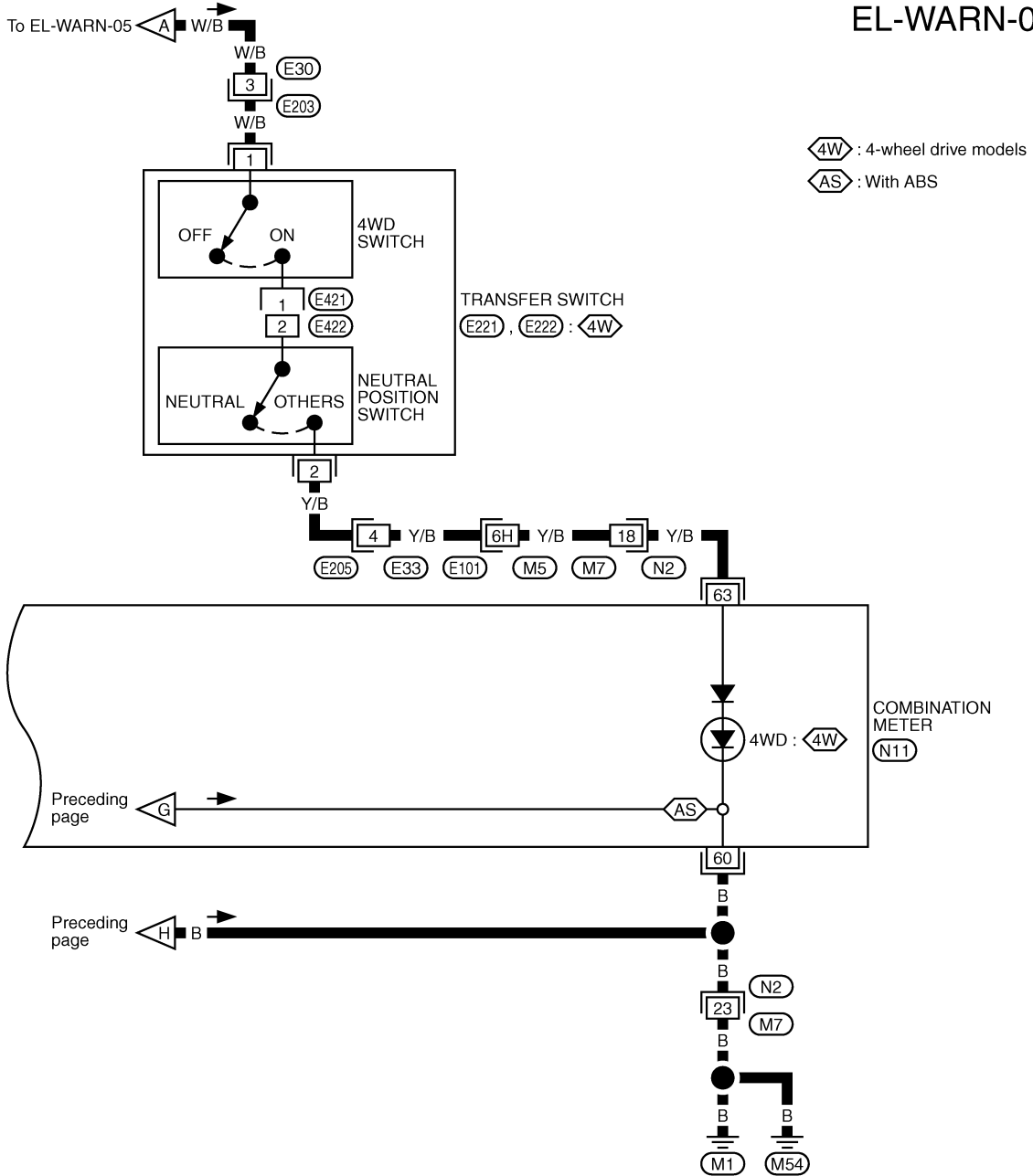
Refer to last page (Foldout page).

M5, E101
E4

WARNING LAMPS

Wiring Diagram — WARN —/Gasoline Engine without Tachometer (Cont'd)

EL-WARN-08



GI
MA
EM
LC
EC
FE
CL
MT
AT
TF
PD
FA
RA
BR
ST
RS
BT
HA
EL
IDX

1	2	3	4	5	6	7	8	9	10	11	N2	41	42	43	44	45	46	47	48	49	50	51	N11				
12	13	14	15	16	17	18	19	20	21	22	23	24	BR	52	53	54	55	56	57	58	59	60	61	62	63	64	W

Refer to last page (Foldout page).
 M5, E101

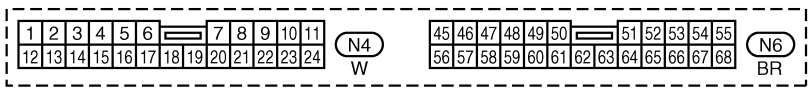
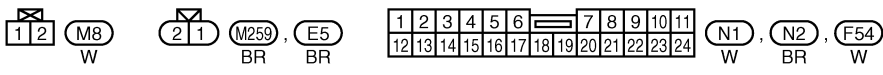
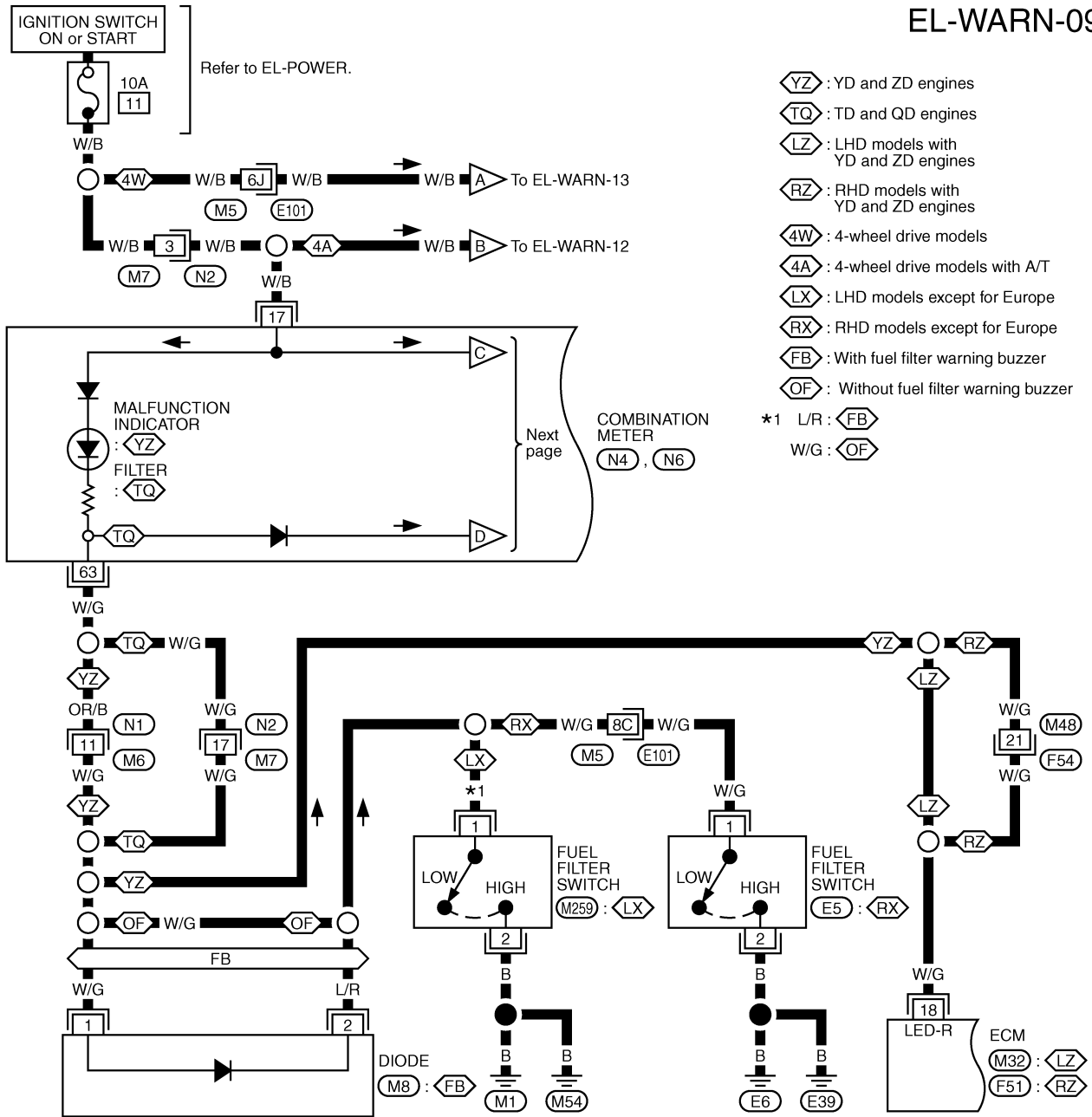


*: This connector is not shown in "HARNESS LAYOUT".

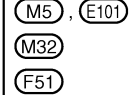
WARNING LAMPS

Wiring Diagram — WARN —/Diesel Engine with Tachometer

EL-WARN-09



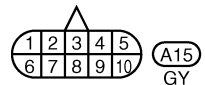
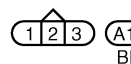
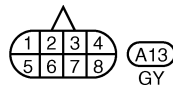
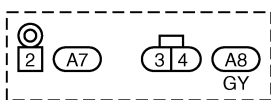
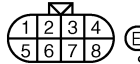
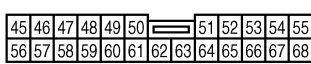
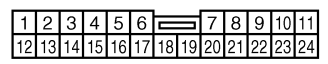
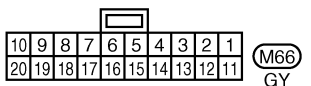
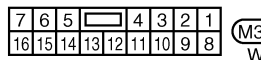
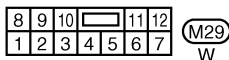
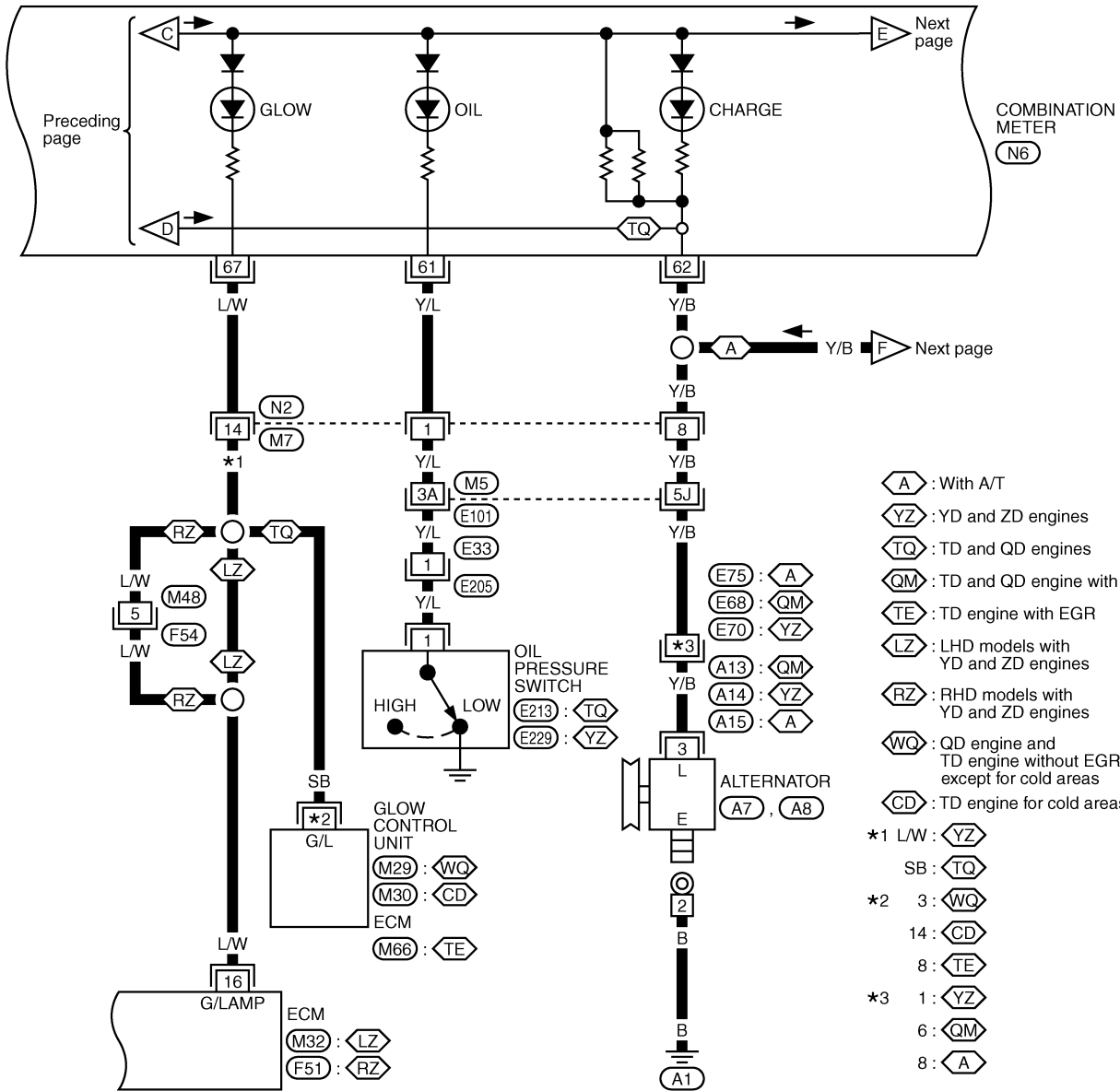
Refer to last page (Foldout page).



WARNING LAMPS

Wiring Diagram — WARN —/Diesel Engine with Tachometer (Cont'd)

EL-WARN-10

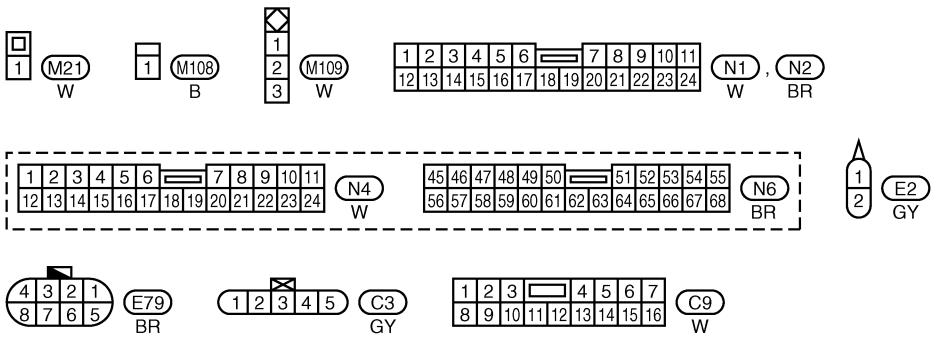
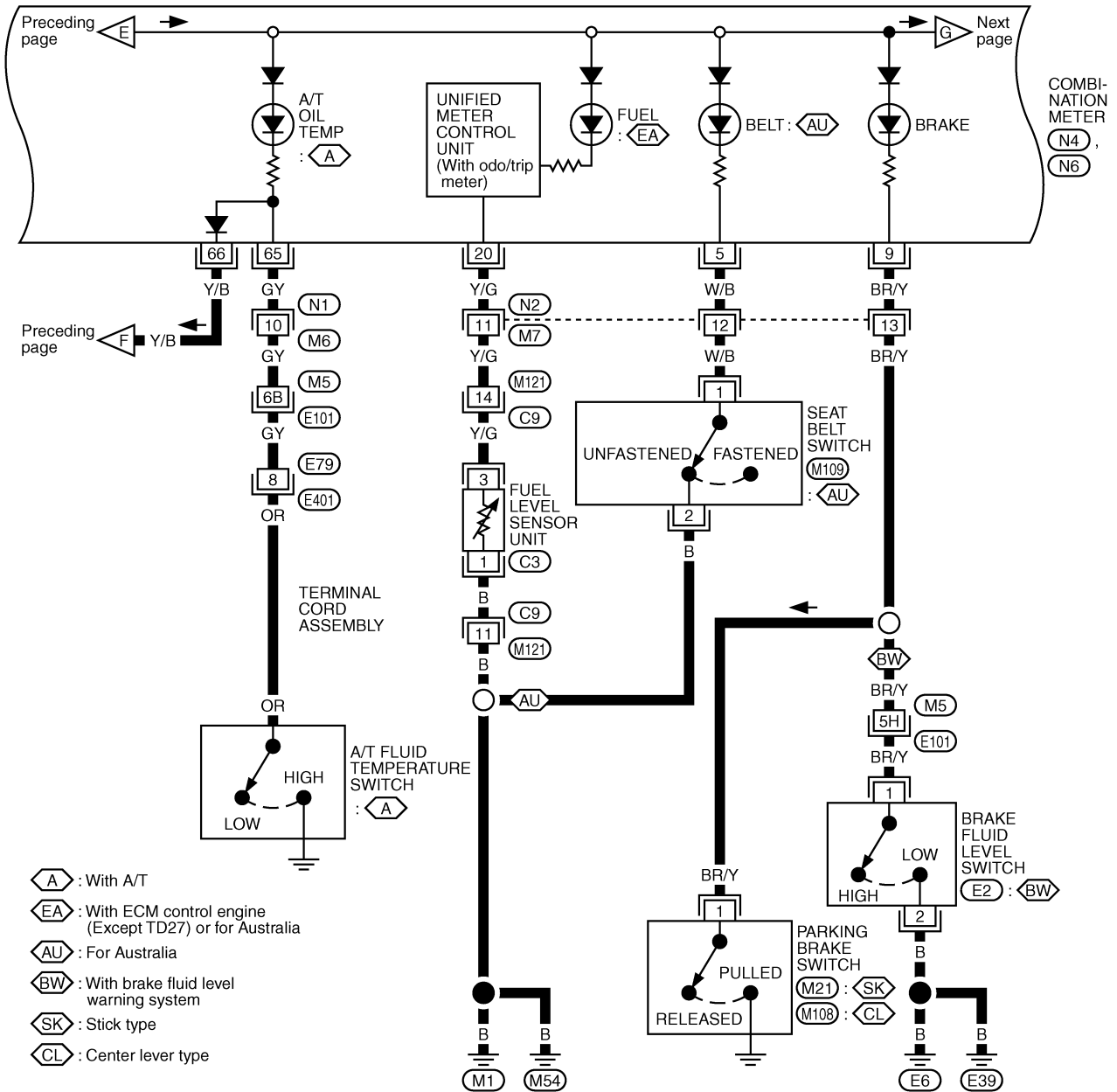


GI
MA
EM
LC
EC
FE
CL
MT
AT
TF
PD
FA
RA
BR
ST
RS
BT
HA
EL
IDX

WARNING LAMPS

Wiring Diagram — WARN —/Diesel Engine with Tachometer (Cont'd)

EL-WARN-11

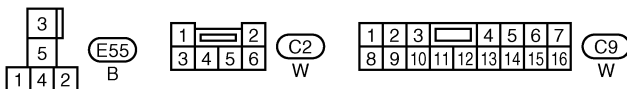
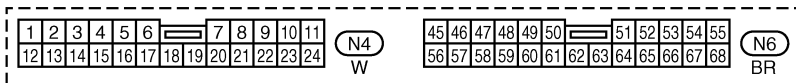
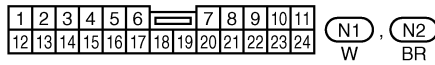
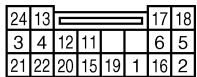
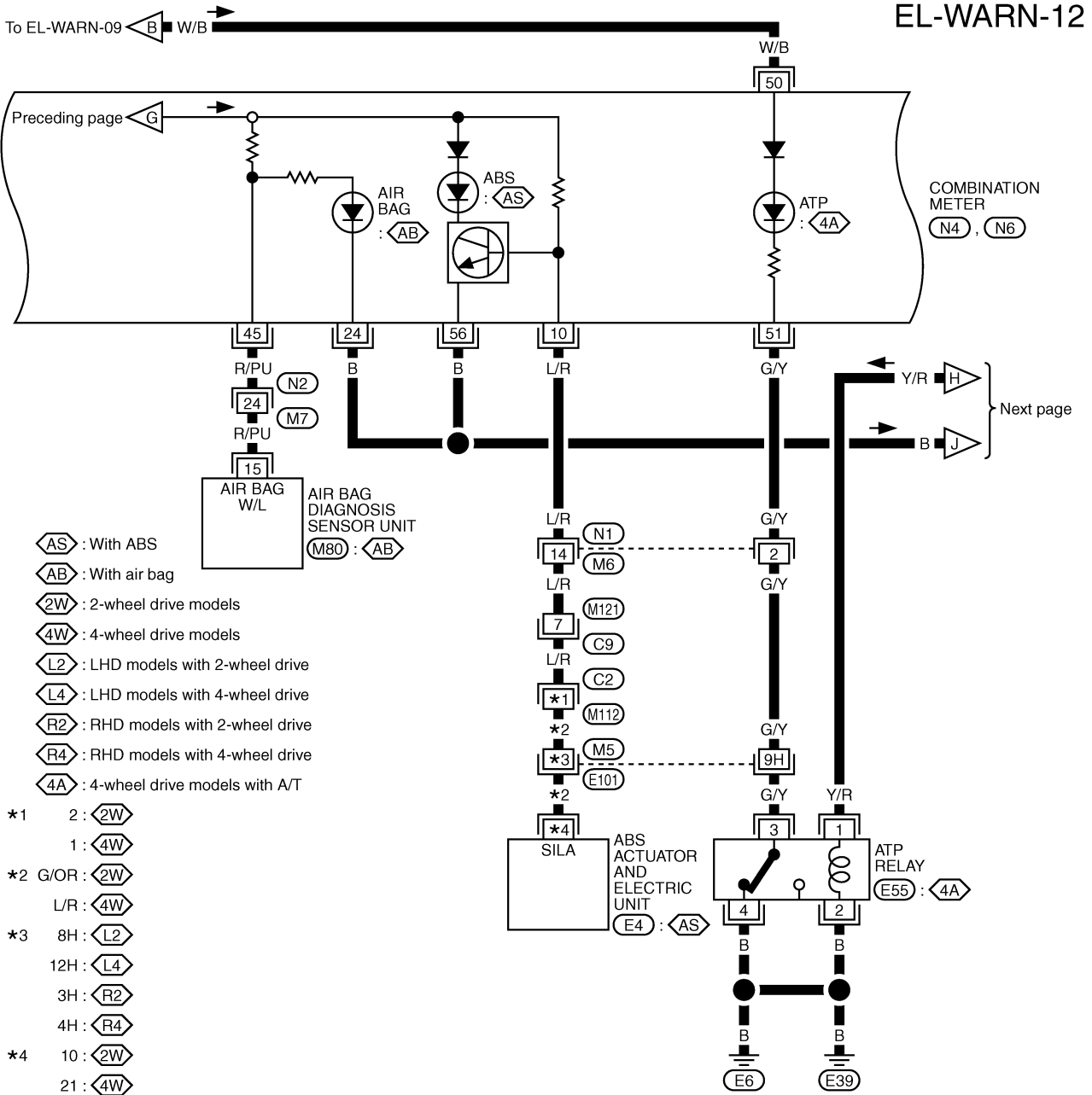


Refer to last page (Foldout page).
(M5, E101)

WARNING LAMPS

Wiring Diagram — WARN —/Diesel Engine with Tachometer (Cont'd)

GI
MA
EM
LC
EC
FE
CL
MT
AT
TF
PD
FA
RA
BR
ST
RS
BT
HA
EL
IDX

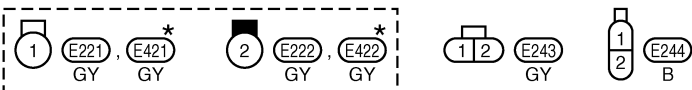
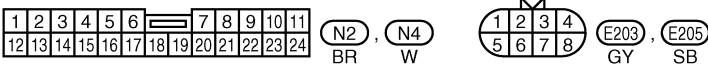
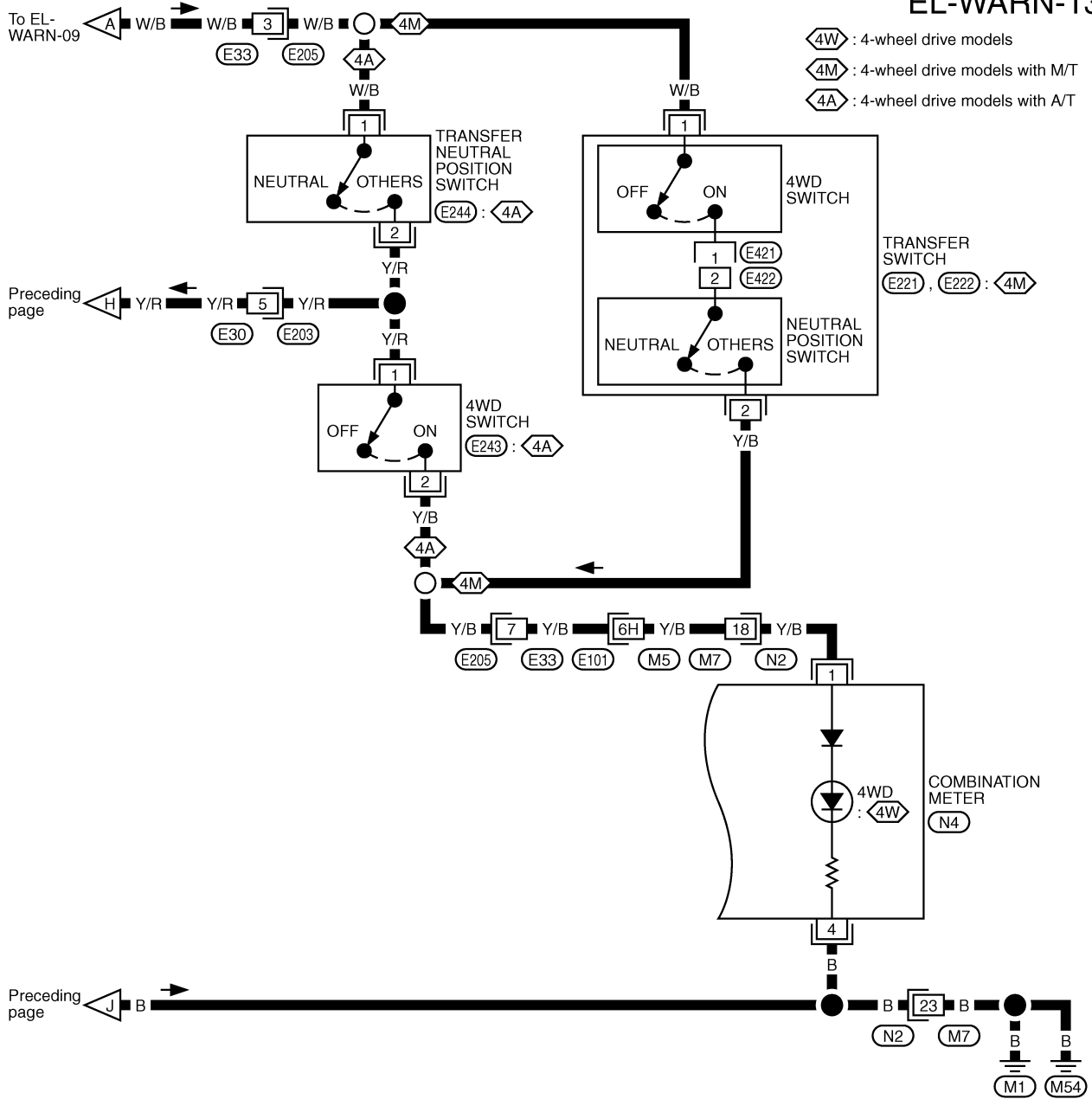


Refer to last page (Foldout page).
(M5, E101)
(E4)

WARNING LAMPS

Wiring Diagram — WARN —/Diesel Engine without Tachometer

EL-WARN-13



*: This connector is not shown in "HARNES LAYOUT".

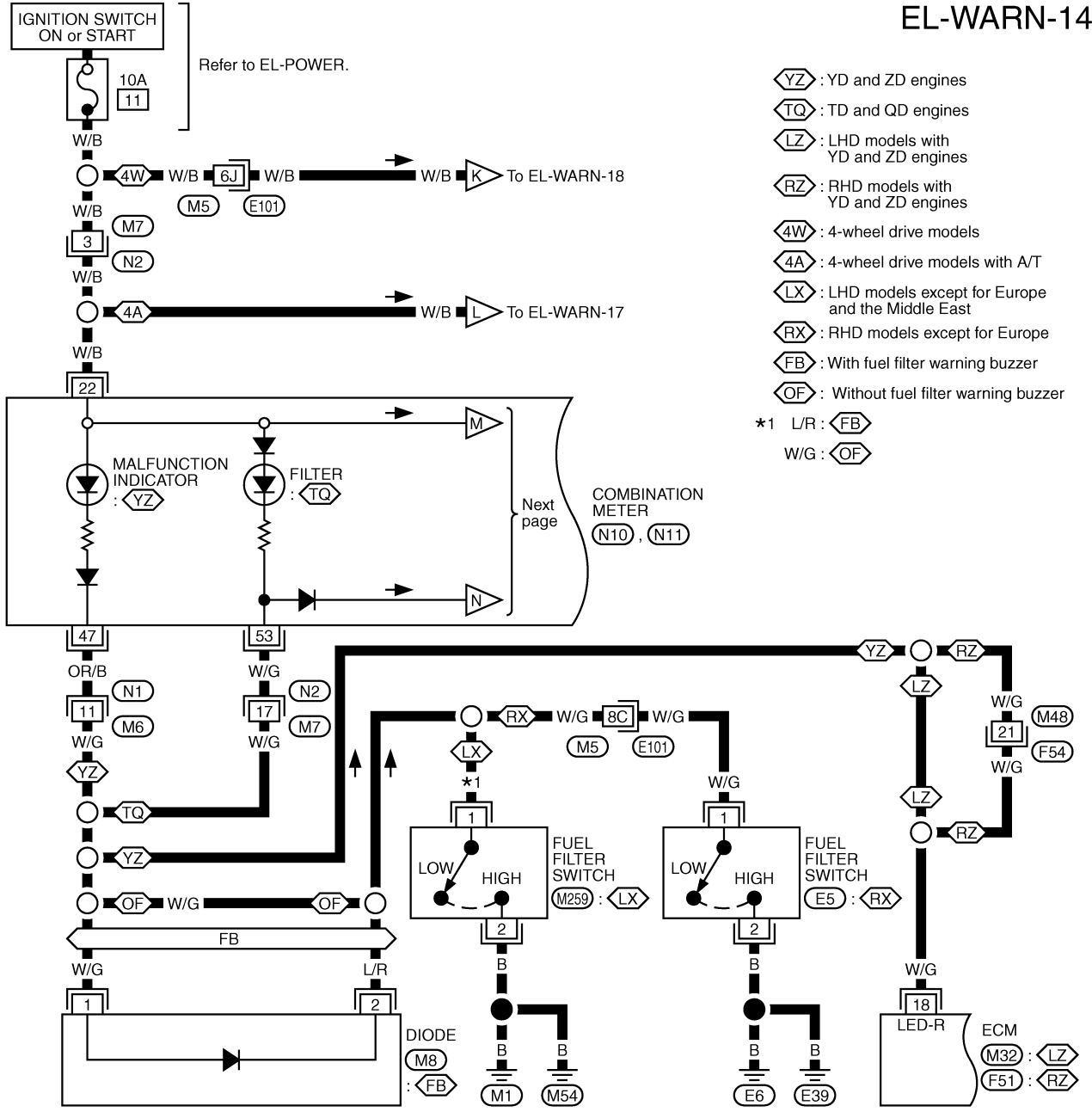
Refer to last page (Foldout page).
 (M5), (E101)

WARNING LAMPS

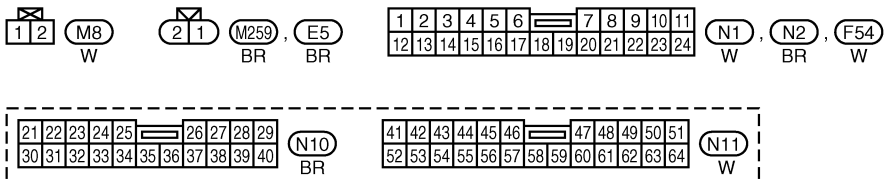
Wiring Diagram — WARN —/Diesel Engine without Tachometer (Cont'd)

EL-WARN-14

GI
MA
EM
LC
EC
FE
CL
MT
AT
TF
PD
FA
RA
BR
ST
RS
BT
HA
EL
IDX



- YZ : YD and ZD engines
- TQ : TD and QD engines
- LZ : LHD models with YD and ZD engines
- RZ : RHD models with YD and ZD engines
- 4W : 4-wheel drive models
- 4A : 4-wheel drive models with AT
- LX : LHD models except for Europe and the Middle East
- RX : RHD models except for Europe
- FB : With fuel filter warning buzzer
- OF : Without fuel filter warning buzzer
- *1 L/R : FB
- W/G : OF

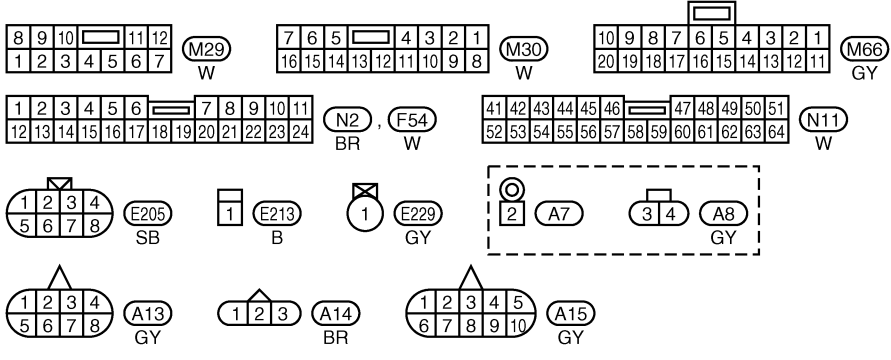
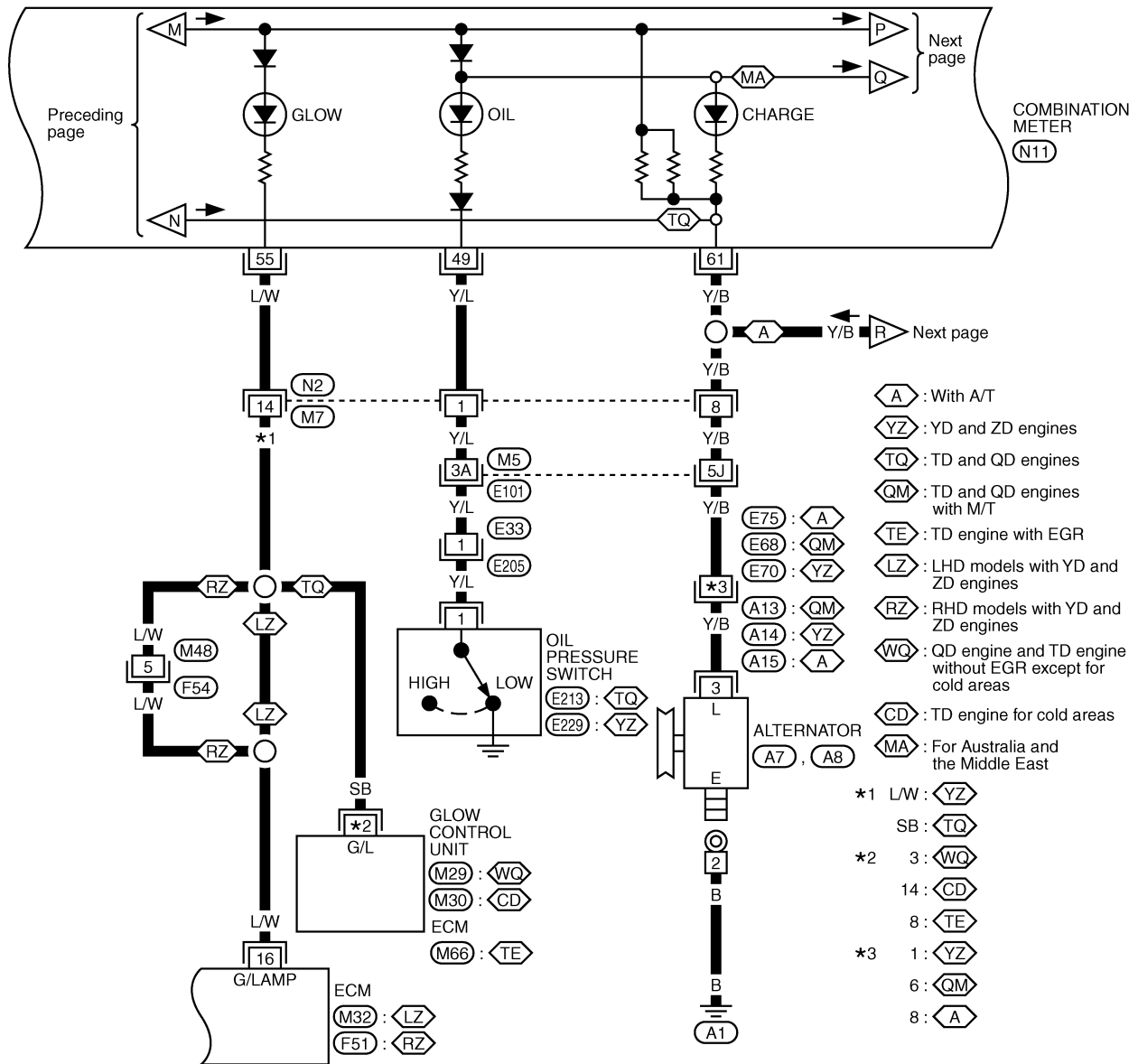


Refer to last page (Foldout page).
M5, E101
M32
F51

WARNING LAMPS

Wiring Diagram — WARN —/Diesel Engine without Tachometer (Cont'd)

EL-WARN-15



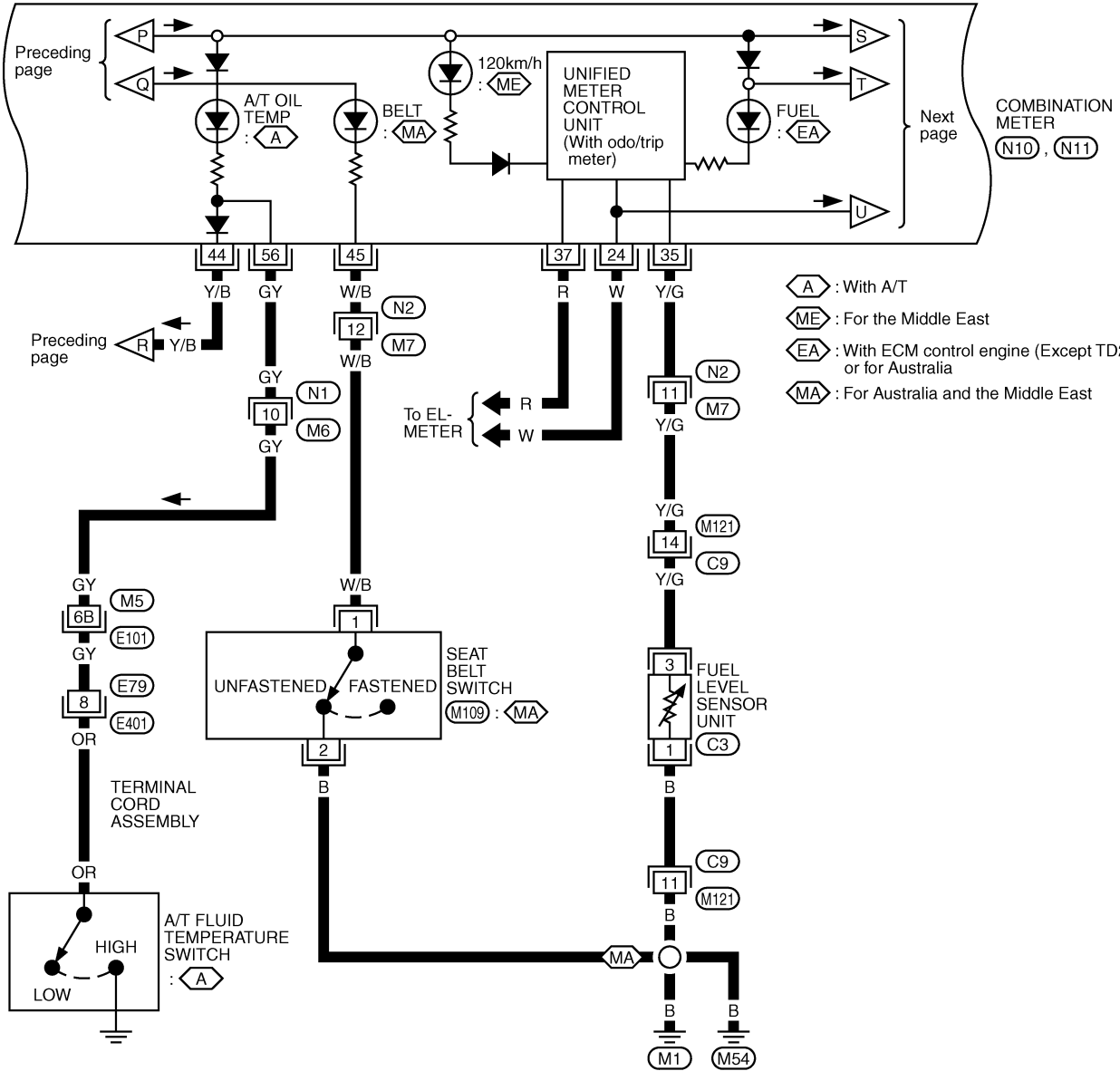
Refer to last page (Foldout page).
 (M5), (E101)
 (M32)
 (F51)

WARNING LAMPS

Wiring Diagram — WARN —/Diesel Engine without Tachometer (Cont'd)

EL-WARN-16

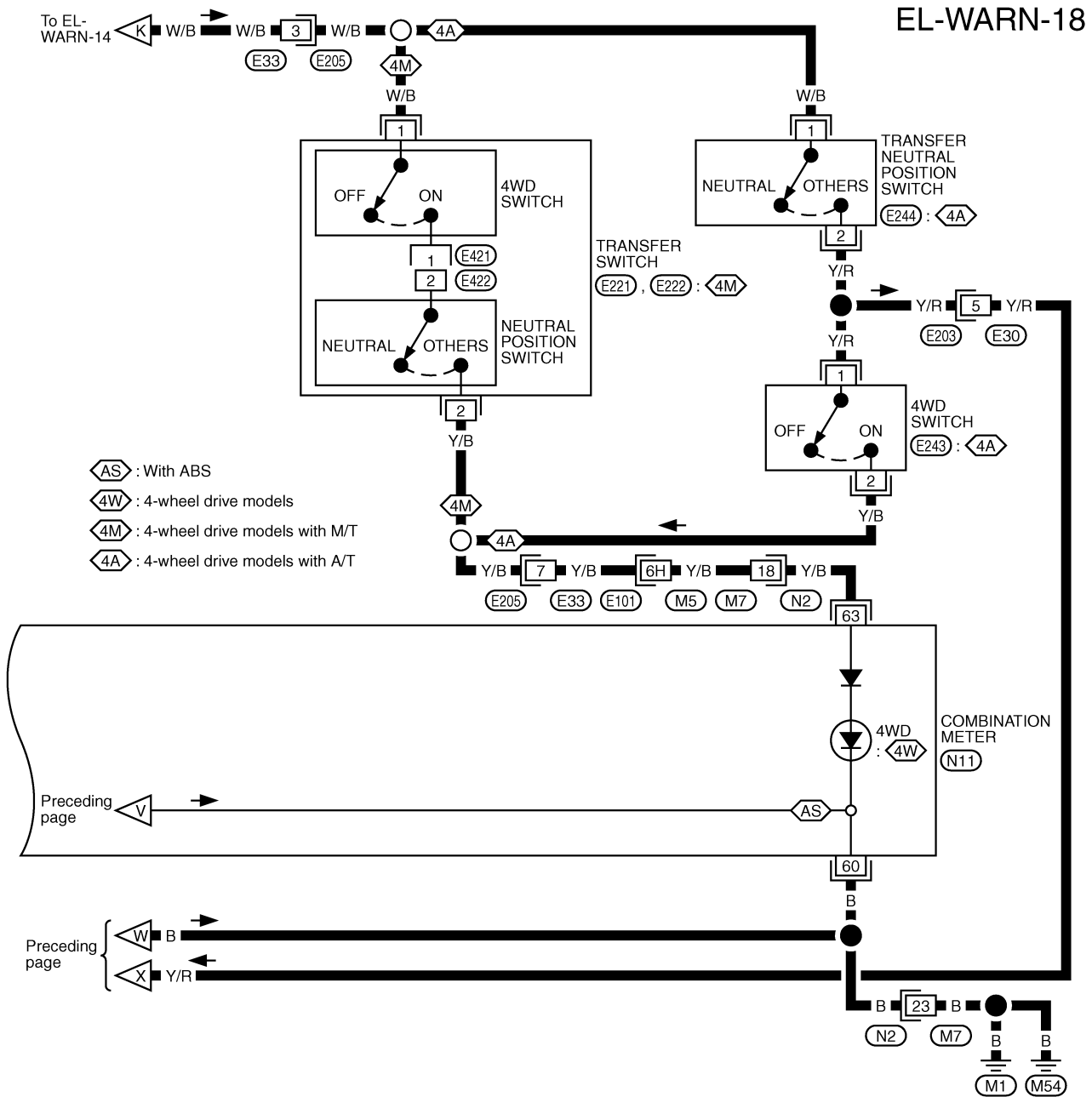
GI
MA
EM
LC
EC
FE
CL
MT
AT
TF
PD
FA
RA
BR
ST
RS
BT
HA
EL
IDX



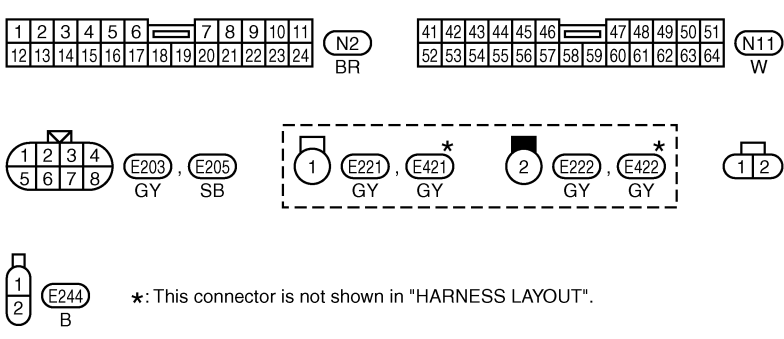
Refer to last page (Foldout page).
(M5), (E101)

WARNING LAMPS

Wiring Diagram — WARN —/Diesel Engine without Tachometer (Cont'd)



- AS : With ABS
- 4W : 4-wheel drive models
- 4M : 4-wheel drive models with M/T
- 4A : 4-wheel drive models with A/T



Refer to last page (Foldout page).
 M5, E101

GI
 MA
 EM
 LC
 EC
 FE
 CL
 MT
 AT
 TF
 PD
 FA
 RA
 BR
 ST
 RS
 BT
 HA
 EL
 IDX

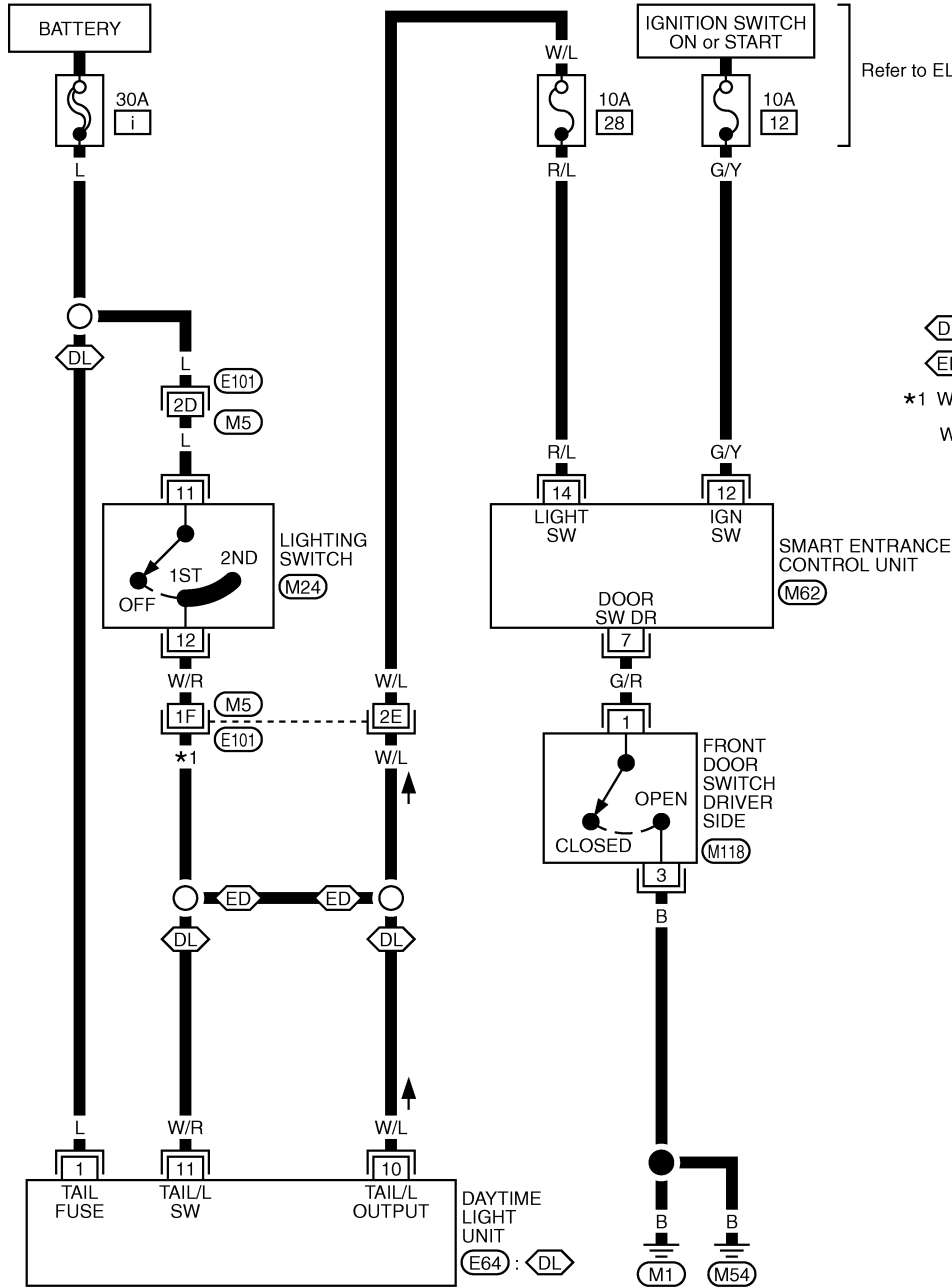
WARNING CHIME

Wiring Diagram — CHIME —/LHD Models for Europe

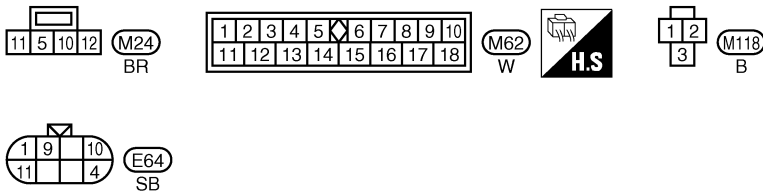
LIGHT WARNING BUZZER

EL-CHIME-01

Refer to EL-POWER.



- DL : With daytime light system
- ED : Without daytime light system
- *1 W/R : DL
- W/L : ED



Refer to last page (Foldout page).

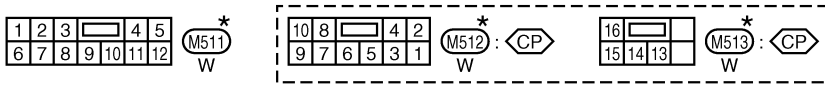
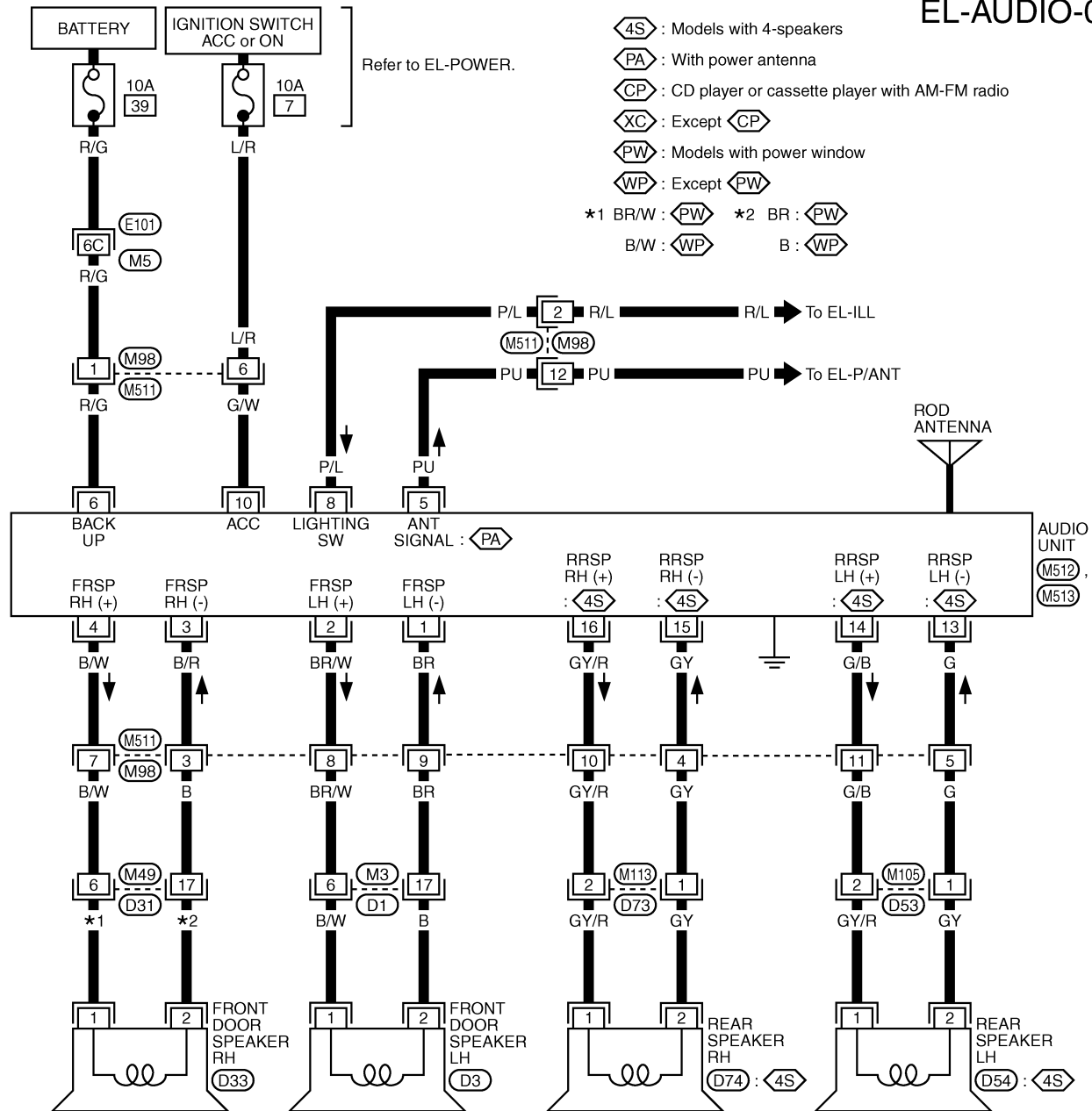
(M5), (E101)

AUDIO

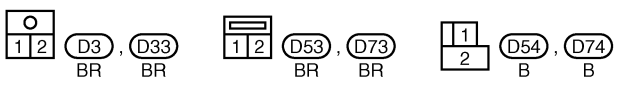
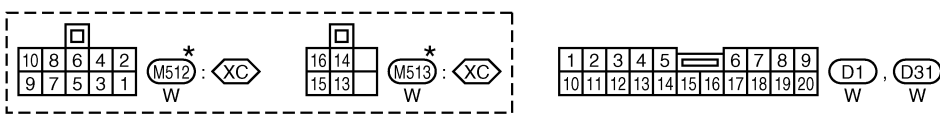
Wiring Diagram — AUDIO —/LHD Models Except for Europe

WITH 2 OR 4 SPEAKERS

EL-AUDIO-01



Refer to last page (Foldout page).
⬡M5⬡, ⬡E101⬡



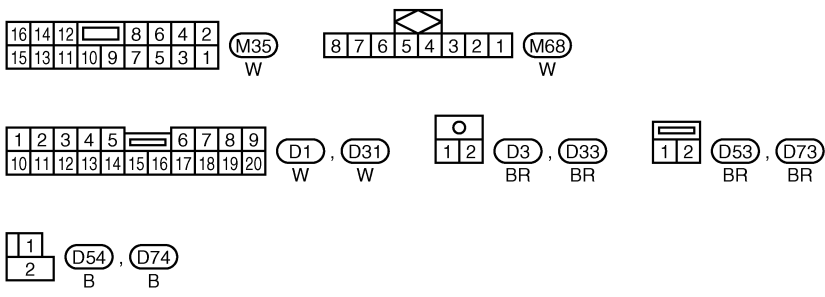
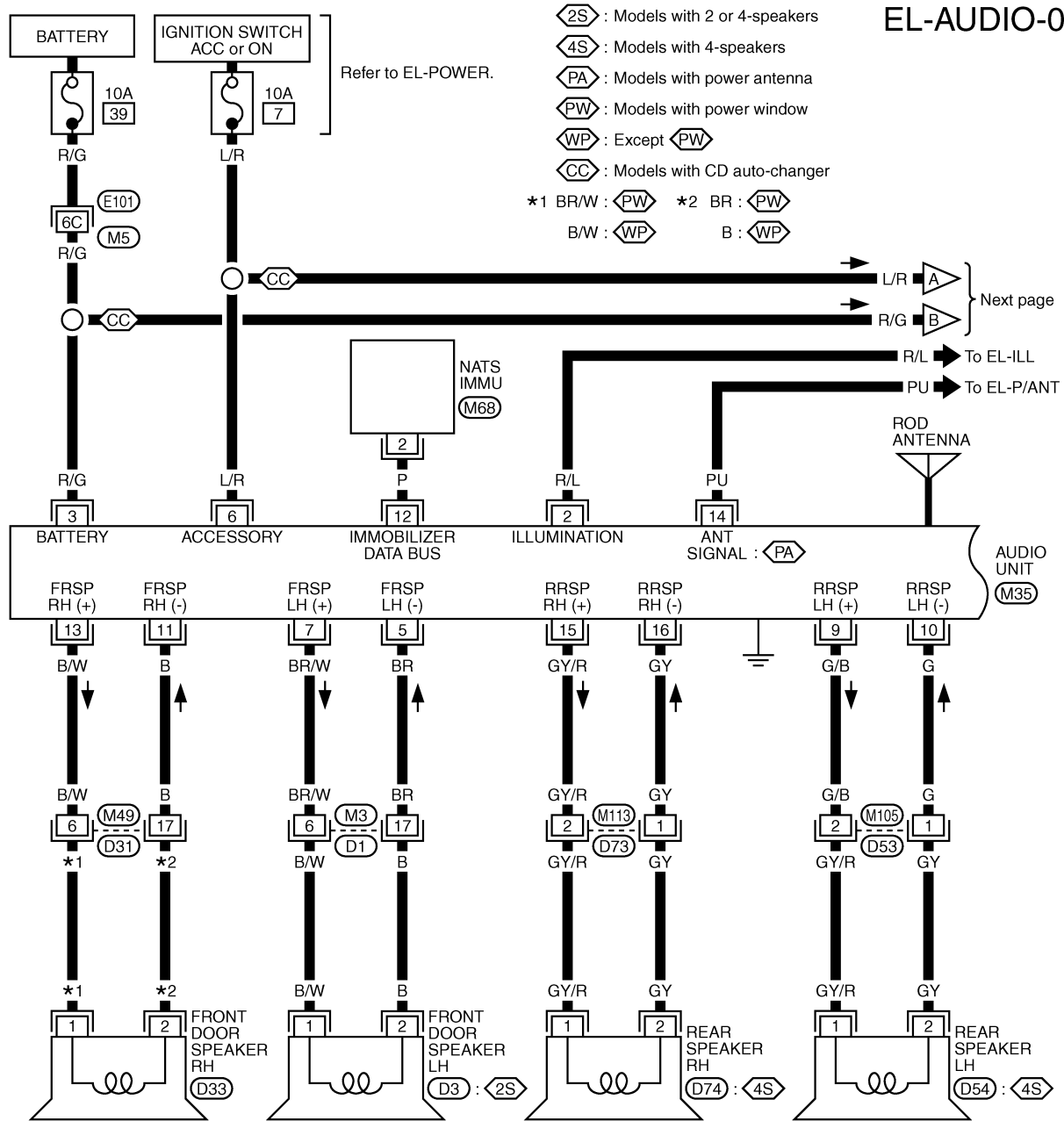
*: This connector is not shown in "HARNESS LAYOUT".

GI
MA
EM
LC
EC
FE
CL
MT
AT
TF
PD
FA
RA
BR
ST
RS
BT
HA
EL
IDX

AUDIO

Wiring Diagram — AUDIO —/LHD Models for Europe

EL-AUDIO-02



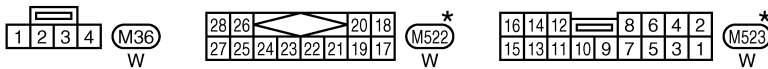
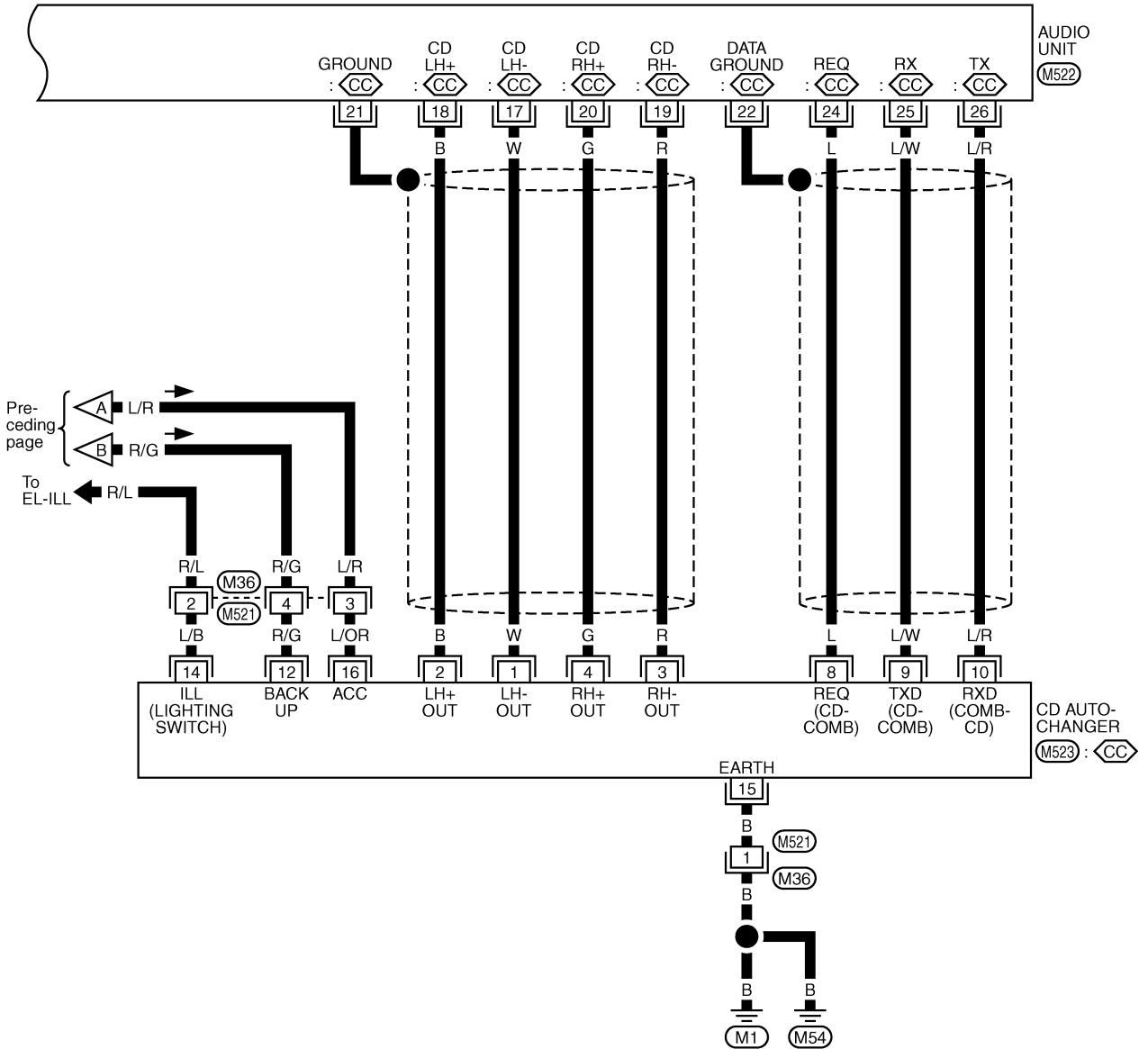
Refer to last page (Foldout page).
 (M5), (E101)

AUDIO

Wiring Diagram — AUDIO —/LHD Models for Europe (Cont'd)

EL-AUDIO-03

Ⓞ : Models with CD auto-changer



*: This connector is not shown in "HARNESS LAYOUT".

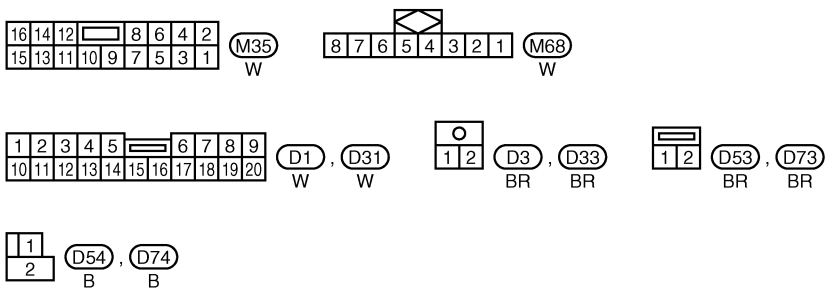
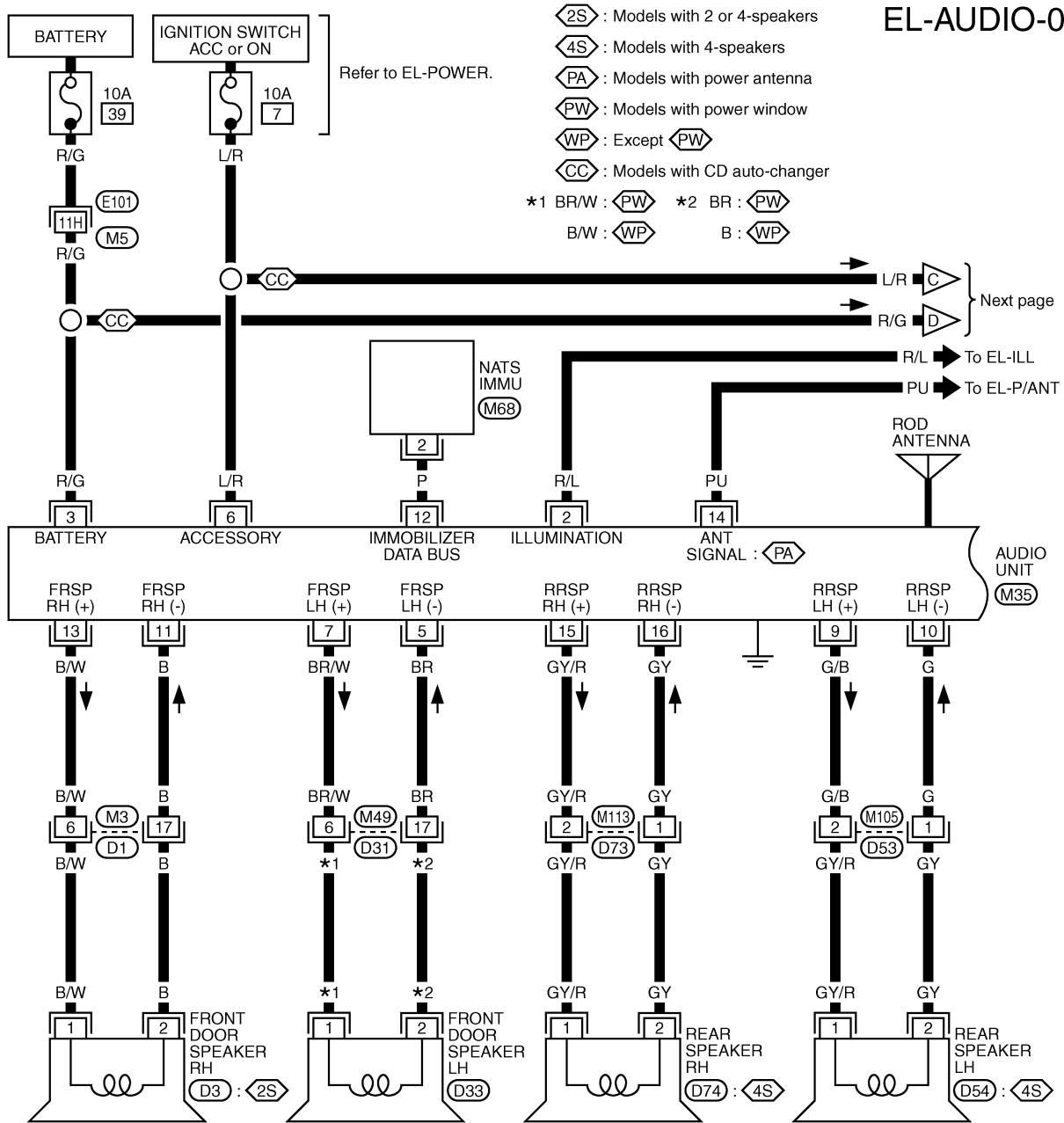
GI
MA
EM
LC
EC
FE
CL
MT
AT
TF
PD
FA
RA
BR
ST
RS
BT
HA
EL
IDX

EL

AUDIO

Wiring Diagram — AUDIO —/RHD Models for Europe

EL-AUDIO-04



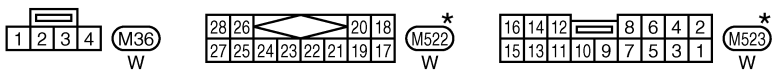
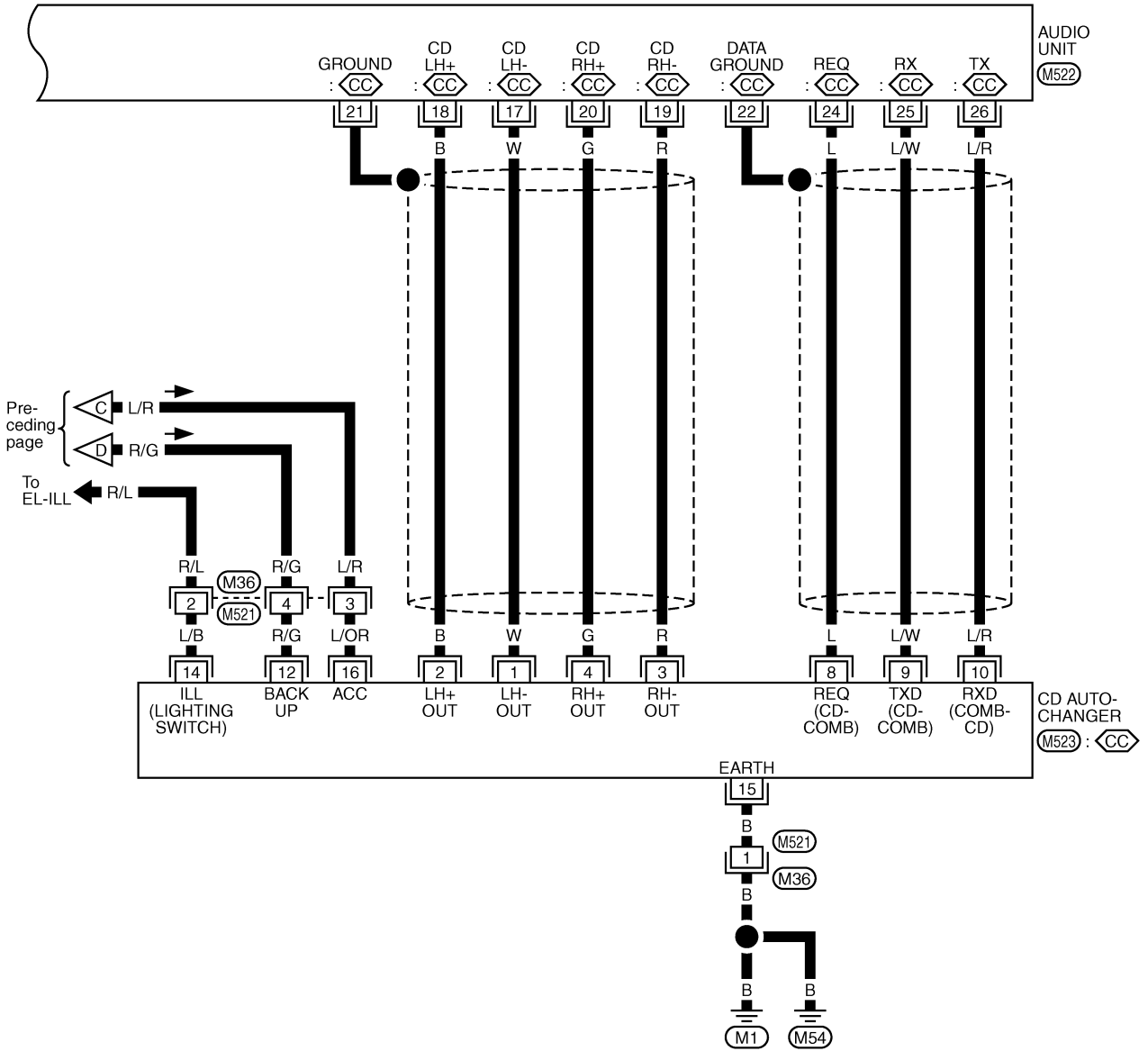
Refer to last page (Foldout page).
 (M5), (E101)

AUDIO

Wiring Diagram — AUDIO —/RHD Models for Europe (Cont'd)

EL-AUDIO-05

Ⓞ : Models with CD auto-changer



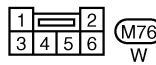
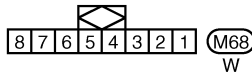
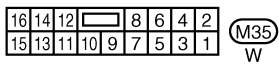
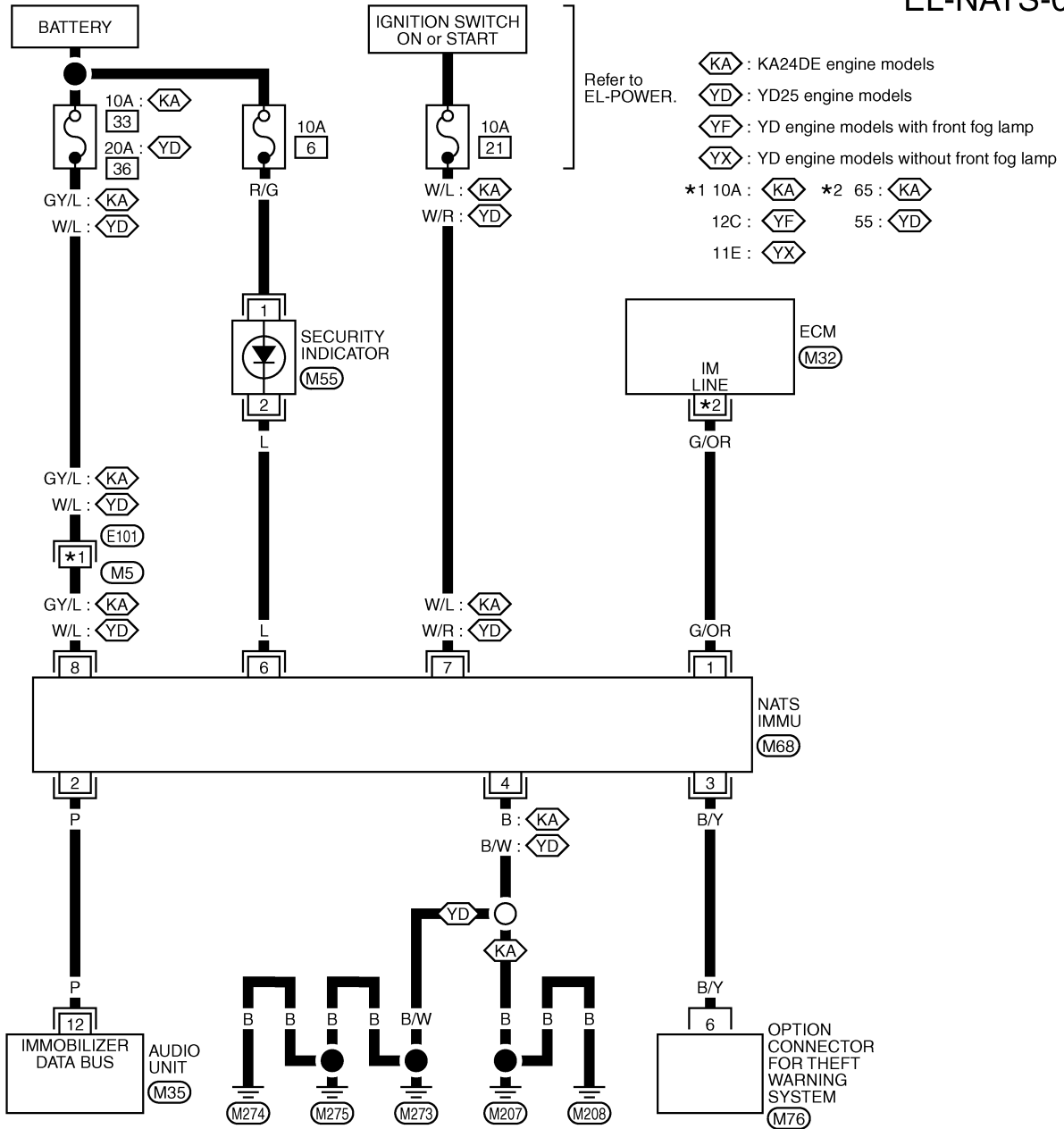
*: This connector is not shown in "HARNESS LAYOUT".

GI
MA
EM
LC
EC
FE
CL
MT
AT
TF
PD
FA
RA
BR
ST
RS
BT
HA
EL
IDX

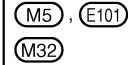
NATS (Nissan Anti-Theft System)

Wiring Diagram — NATS —/LHD Models

EL-NATS-01

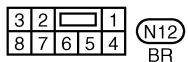
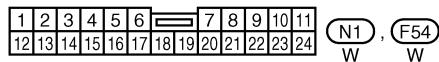
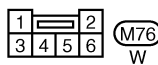
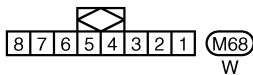
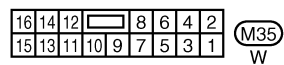
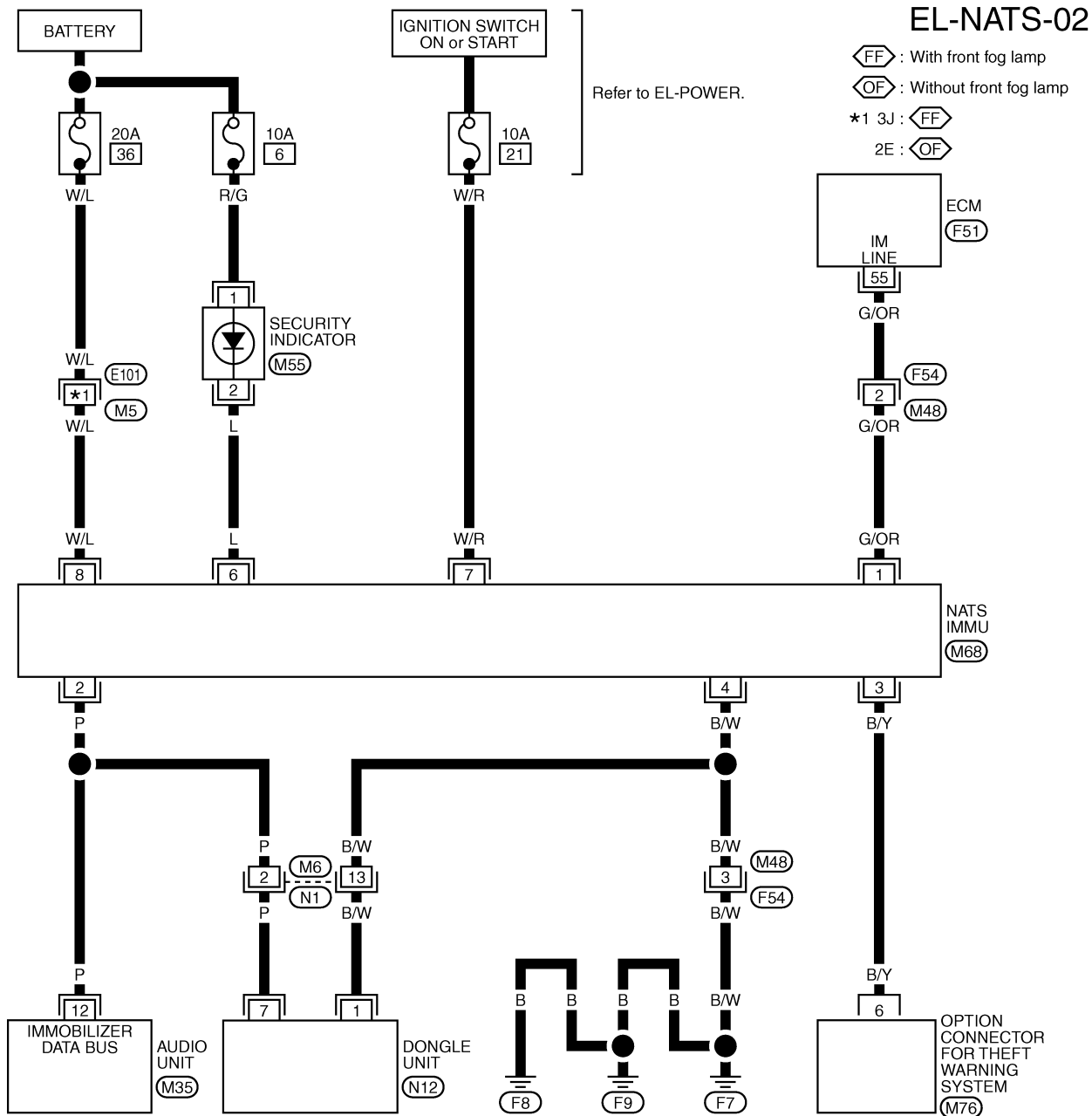


Refer to last page (Foldout page).



NATS (Nissan Anti-Theft System)

Wiring Diagram — NATS —/RHD Models



Refer to last page (Foldout page).

M5, E101

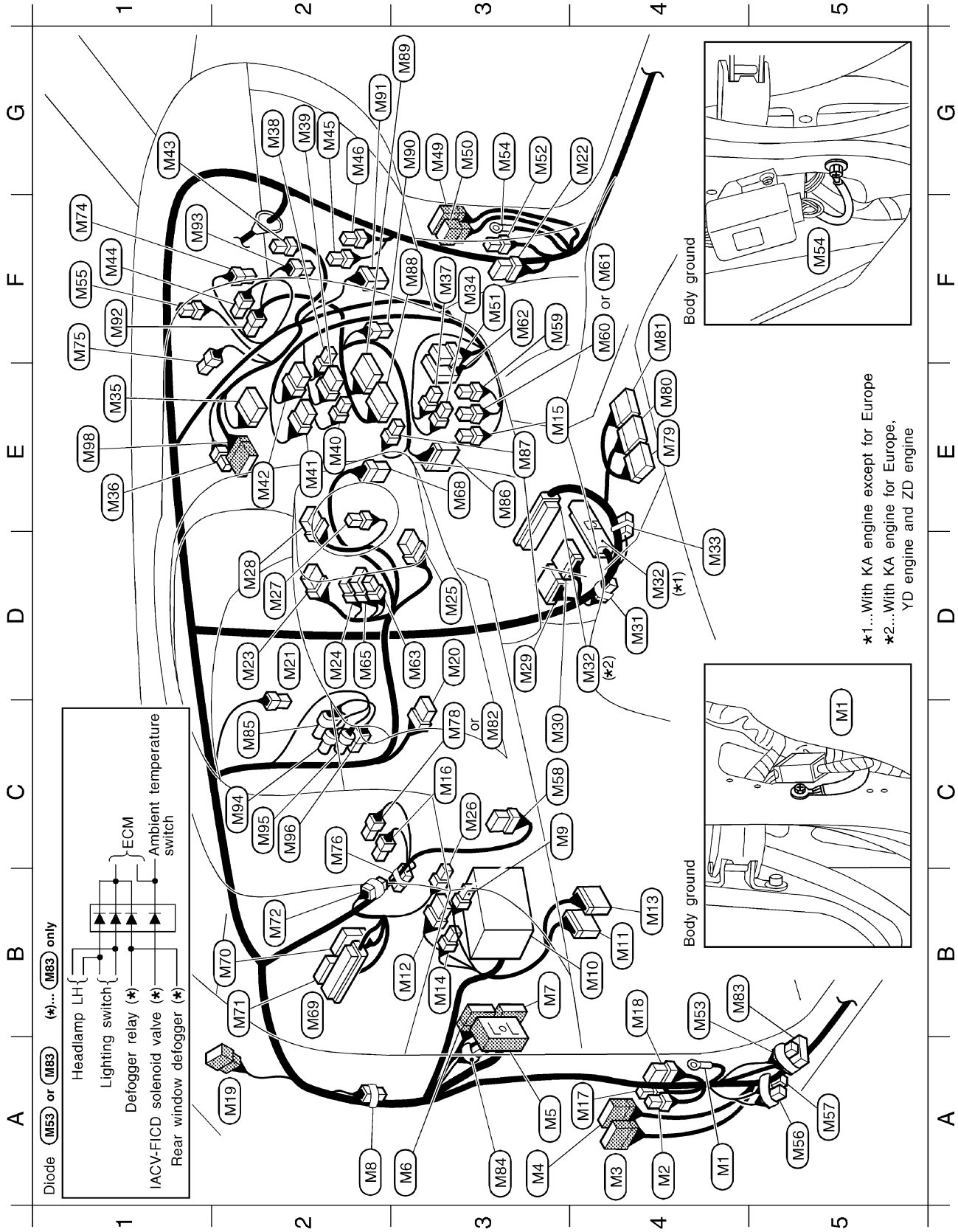
F51

GI
MA
EM
LC
EC
FE
CL
MT
AT
TF
PD
FA
RA
BR
ST
RS
BT
HA
EL
IDX

HARNESS LAYOUT

Main Harness

INSTRUMENT PANEL — LHD MODELS



*1...With KA engine except for Europe
 *2...With KA engine for Europe,
 YD engine and ZD engine

HARNES LAYOUT

Main Harness (Cont'd)

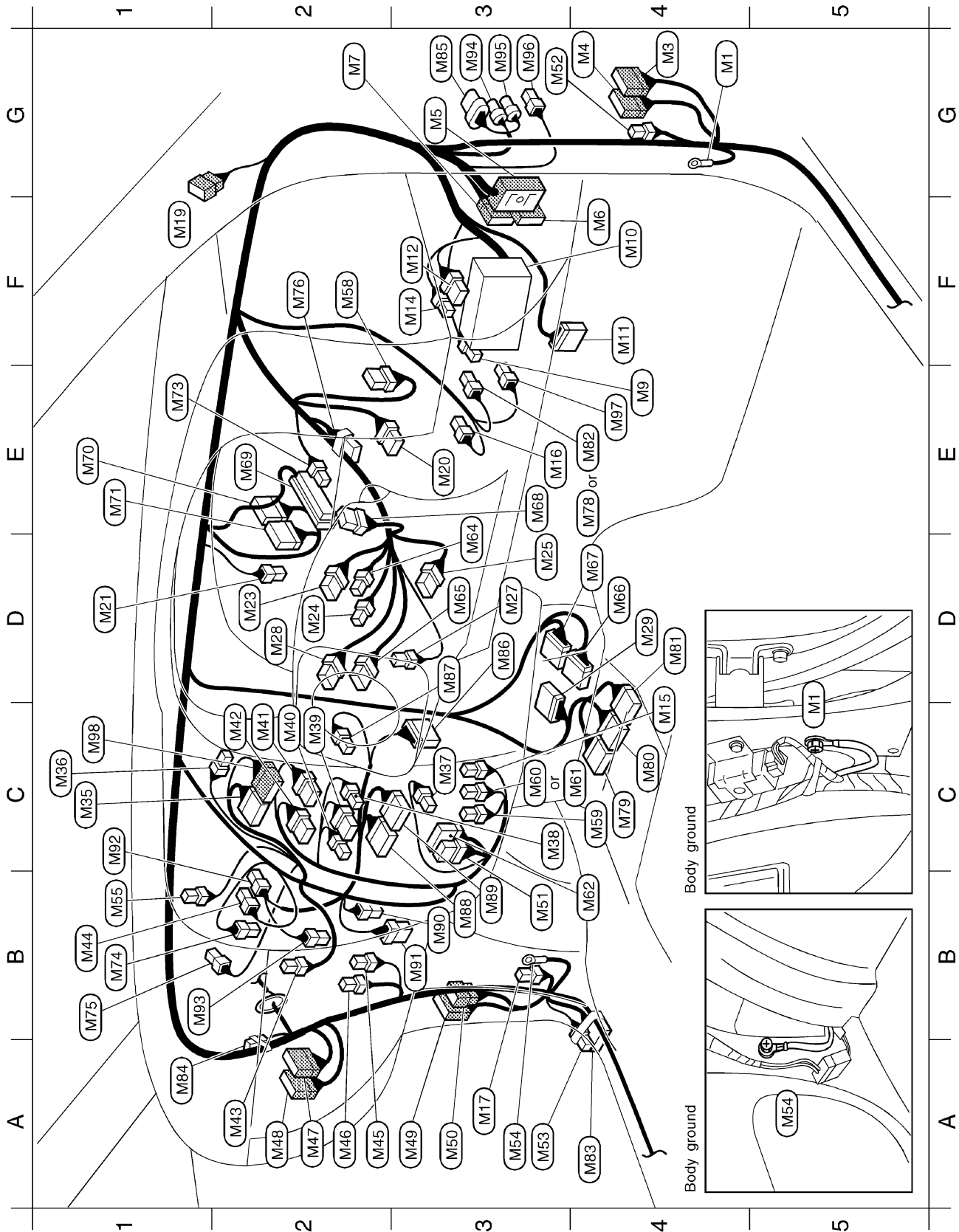
A4	—	Body ground	F3	W/2	Ashtray illumination (With gasoline engine for the Middle East)	B2	GY/24	TCM (Transmission control module) (KA engine with A/T)
A4	W/2	Warning buzzer (Diesel engine except for Europe and the Middle East)	E1	W/10	Audio unit (For Europe)	B2	-6	Joint connector-2 (With A/T)
A4	W/20	To (D1)	E1	W/4	To CD changer sub-harness (For Europe)	F1	W/2	Intake air temperature sensor (With auto A/C)
A3	W/12	To (D2) (With power window)	G2	W/3	A/C switch (Without auto A/C)	F1	B/2	Sunload sensor (With auto A/C)
A3	SMJ	To (E101)	G2	W/6	Fan switch (Without auto A/C)	C2	W/6	Option connector (For Europe) (For theft warning system)
A3	W/24	To (N1)	E2	W/2	Fan switch illumination (Without auto A/C)	C3	L/2	Shift lock brake switch (With A/T)
B3	BR/24	To (N2)	E2	W/8	Hazard switch	E4	Y/12	Air bag diagnosis sensor unit (For pre-tensioner seat belt)
A2	-/2	Diode (Diesel engine except for Europe and the Middle East)	E2	W/6	Defogger switch (Except for the Middle East except Single cab with TD engine)	E4	Y/20	Air bag diagnosis sensor unit
C3	L/4	Fuel pump relay (KA engine)	G1	Y/2	Front passenger air bag module	F4	Y/12	Air bag diagnosis sensor unit (For pre-tensioner seat belt)
B4	W/16	Fuse block	F1	BR/4	Thermo control amplifier (Without auto A/C)	C3	B/2	Brake pedal position switch (YD25)
B4	W/6	Data link connector	G2	BR/4	Fan resistor (Without auto A/C)	B4	L/10	Diode (KA engine except for Europe)
B3	W/6	Fuse block	G2	W/2	Blower motor	A3	BR/2	Resistor (With A/T)
B4	B/10	Check connector (Z24S)	G3	W/20	To (D31)	C2	GY/6	Accelerator work unit (YD25)
B3	W/4	Fuse block	G3	W/6	To (D32) (With power window)	E3	BR/10	Mode door motor (With auto A/C)
E3	B/3	Combination flasher unit	F3	W/8	Door lock timer (With power window except for Europe)	E3	W/2	In-vehicle sensor (With auto A/C)
C3	B/2	Stop lamp switch	G3	W/2	Circuit breaker-2 (For Europe and with gasoline engine for the Middle East)	F3	GY/20	A/C auto amp. (With auto A/C)
A4	L/4	Front fog lamp relay (YD engine for Europe)	B4	L/4	Diode (KA engine for Europe)	G3	GY/16	A/C auto amp. (With auto A/C)
B4	W/6	Not used	G3	W/2	Body ground	G2	L/2	Aspirator motor (With auto A/C)
A2	W/6	To (R1) (QD engine with A/T)	F1	W/2	Security indicator (With NATS)	F1	B/6	Air mix door motor (With auto A/C)
D3	W/6	Ignition switch	A5	-/2	Diode (Z24S)	F1	W/4	Fan control amp. (With auto A/C)
D2	W/1	Parking brake switch (Stick type)	A5	-/2	Diode (Z24S)	F1	W/4	Intake door motor (With auto A/C)
G4	W/6	Fuel pump control module (Z24S)	C3	BR/8	Multi-remote control unit (For Europe)	C2	BR/3	Accelerator position switch (ZD30)
D2	BR/8	Lighting switch • Turn signal lamp switch	F3	BR/6	Defogger relay	C2	GY/3	Accelerator position switch (ZD30)
D2	BR/4	Lighting switch	F4	L/4	(Except for the Middle East)	E1	W/12	Audio unit (Via sub-harness) (Except for Europe)
D3	Y/7	Spiral cable (With air bag)	F4	L/4	Rear fog lamp relay (For Europe or with KA engine without dual air bag except for the Middle East)	Diode (M8)		
C3	W/12	Glow control unit (TD engine except for cold areas and QD engine)	F3	W/18	Smart entrance control unit (For Europe)			
D2	B/1	Horn switch (Without air bag)	D3	W/3	Fog lamp switch (KA or ZD engines except for Europe and the Middle East)	D2	W/6	Fog lamp switch (For Europe)
D2	GY/8	Wiper and washer switch	E3	W/8	NATS IMMU (For Europe)	E3	W/8	NATS IMMU (For Europe)
D3	W/16	Glow control unit	B2	W/48	TCM (Transmission control module) (QD engine with A/T)	B2	W/48	TCM (Transmission control module) (QD engine with A/T)
C3	W/16	Glow control unit	B2	W/24	TCM (Transmission control module) (KA engine with A/T)	B2	W/24	TCM (Transmission control module) (KA engine with A/T)
D4	GY/6	Joint connector-1 (KA engine)	D2	W/6	Fuel pump relay (KA engine)			
D4	SMJ	ECM (KA, YD and ZD engines)	E3	W/8	NATS IMMU (For Europe)			
D4	—	Joint connector-3 (KA engine for Europe)	B2	W/48	TCM (Transmission control module) (QD engine with A/T)			

GI MA EM LC EC FE CL MT AT TF PD FA RA BR ST RS BT HA EL IDX

HARNESS LAYOUT

Main Harness (Cont'd)

INSTRUMENT PANEL — RHD MODELS

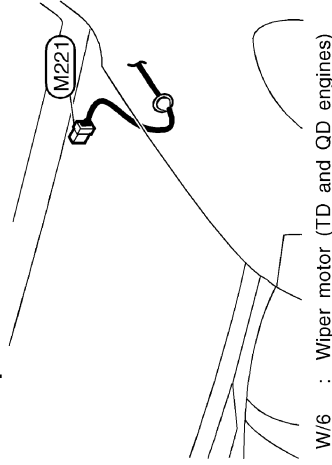


HARNESS LAYOUT

Main Harness (Cont'd)

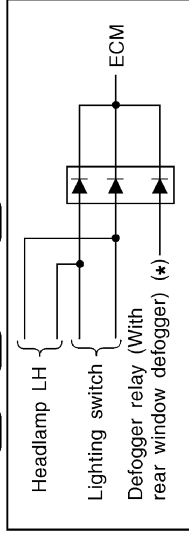
G4	M1	—	: Body ground	A2	M47	W/16	: To F55 (KA, VG, YD and ZD engines)	E4	M82	B/2	: Brake pedal position switch (YD engine)
G4	M3	W/20	: To D1	A2	M48	W/24	: To F54 (KA, VG, YD and ZD engines)				
G4	M4	W/12	: To D2 (With power window)	A3	M49	W/20	: To D31	A4	M83	L/10	: Diode (KA engine except without intermittent wiper for Australia)
G3	M5	SMJ	: To E101	A3	M50	W/6	: To D32 (With power window)	A1	M84	BR/2	: Resistor (With A/T)
F4	M6	W/24	: To N1	B3	M51	W/8	: Door lock timer (With power window except for Europe)	G3	M85	GY/6	: Accelerator work unit (YD engine)
G2	M7	BR/24	: To N2	G3	M52	W/2	: Circuit breaker-2 (For Europe)	D3	M86	BR/10	: Mode door motor (With auto A/C)
E4	M9	L/4	: Fuel pump relay (KA and VG engines)	A3	M53	L/4	: Diode (KA engine without intermittent wiper for Australia)	D3	M87	W/2	: In-vehicle sensor (With auto A/C)
F4	M10	—	: Fuse block	A3	M54	—	: Body ground	B3	M88	GY/20	: A/C auto amp. (With auto A/C)
F4	M11	W/16	: Data link connector	B1	M55	W/2	: Security indicator (For Europe)	B3	M89	GY/16	: A/C auto amp. (With auto A/C)
F3	M12	W/6	: Fuse block	F2	M58	BR/8	: Multi-remote control unit (For Europe)	B3	M90	L/2	: Aspirator motor (With auto A/C)
F3	M14	W/4	: Fuse block	C4	M59	BR/6	: Defogger relay (Except models without intermittent wiper for Australia)	B3	M91	B/6	: Air mix door motor (With auto A/C)
C4	M15	B/3	: Combination flasher unit	C3	M60	L/4	: Rear fog lamp relay (For Europe)	B1	M93	W/4	: Fan control amp. (With auto A/C)
E3	M16	B/2	: Stop lamp switch	C4	M61	W/4	: Front fog lamp relay (ZD engine)	G3	M94	BR/3	: Intake door motor (With auto A/C)
A3	M17	L/4	: Front fog lamp relay (For Europe)	B4	M62	W/18	: Smart entrance control unit (For Europe)	G3	M95	GY/3	: Accelerator position switch (ZD engine)
F1	M19	W/6	: To R1	D3	M64	L/4	: Front fog lamp switch (ZD engine)	G3	M96	W/3	: Accelerator switch (F/C) (ZD engine)
E3	M20	W/6	: Ignition switch	D3	M65	W/6	: Front and rear fog lamp switch (For Europe)	E4	M97	W/2	: Kickdown switch (With A/T with VG engine)
D1	M21	W/1	: Parking brake switch (Stick type)	D4	M66	GY/20	: ECM (Diesel engine with EGR)	C1	M98	W/12	: Audio unit (Via sub-harness) (Except for Europe)
D2	M23	BR/8	: Lighting switch	D4	M67	GY/16	: ECM (Diesel engine with EGR)				
			• Turn signal lamp switch	E3	M68	W/8	: NATS IMMU (For Europe)				
D2	M24	BR/4	: Lighting switch	E2	M69	W/48	: TCM (Transmission control module) (With A/T with VG engine)				
D3	M25	Y/7	: Spiral cable (With air bag)	E1	M70	W/24	: TCM (Transmission control module) (With A/T with KA engine)				
D3	M27	B/1	: Horn switch (Without air bag)	E1	M71	GY/24	: TCM (Transmission control module) (With A/T with KA engine)				
D2	M28	GY/8	: Wiper and washer switch	E1	M73	W/4	: A/T device (With A/T with column shift)				
D4	M29	W/12	: Glow control unit (TD engine) without EGR and QD engine)	B1	M74	W/2	: Intake air temperature sensor (With auto A/C)				
C1	M35	W/16	: Audio unit (For Europe)	B1	M75	B/2	: Sunload sensor (With auto A/C)				
C1	M36	W/4	: To CD changer sub-harness (For Europe)	F2	M76	W/6	: Option connector for theft warning system (For Europe)				
C3	M37	B/2	: Cigarette lighter	E4	M78	L/2	: Shift lock brake switch (With A/T)				
C3	M38	W/3	: A/C switch (Without auto A/C)	C4	M79	Y/12	: Air bag diagnosis sensor unit (With air bag for Europe and Australia)				
C2	M39	W/6	: Fan switch (Without auto A/C)	C4	M80	Y/20	: Air bag diagnosis sensor unit (With air bag)				
C2	M40	W/2	: Fan switch illumination (Without auto A/C)	D4	M81	Y/12	: Air bag diagnosis sensor unit (With air bag for Europe and Australia)				
C2	M41	W/8	: Hazard switch								
C2	M42	W/6	: Defogger switch (Except models without intermittent wiper for Australia)								
A2	M43	Y/2	: Air bag module passenger side								
B1	M44	BR/4	: Thermo control amplifier (Without auto A/C)								
A2	M45	BR/4	: Fan resistor (Without auto A/C)								
A2	M46	W/2	: Blower motor								

Engine compartment



M221 W/6 : Wiper motor (TD and QD engines)

Diode M53 or M83 (*)... M83 only

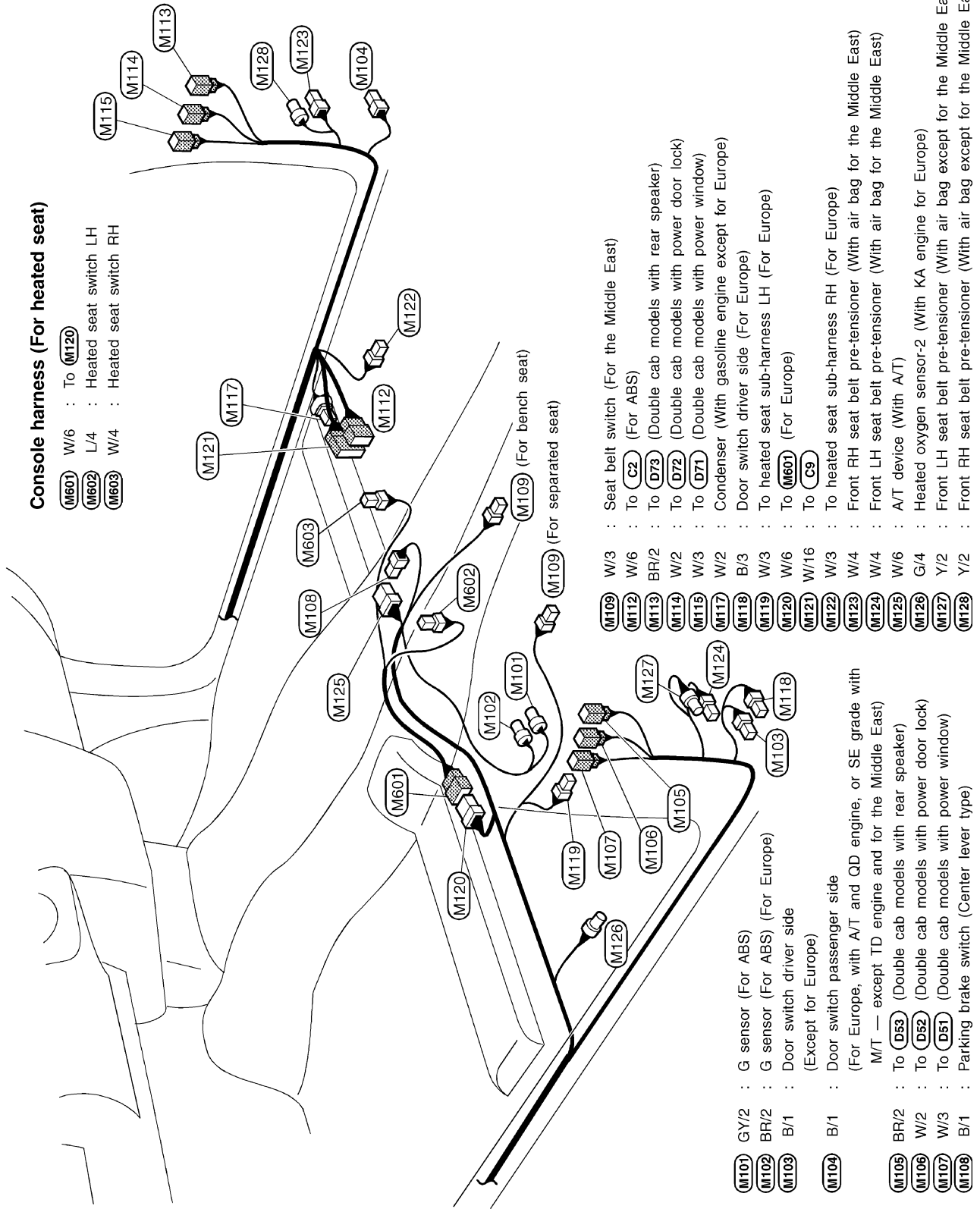


GI
MA
EM
LC
EC
FE
CL
MT
AT
TF
PD
FA
RA
BR
ST
BT
HA
EL
IDX

HARNESS LAYOUT

Main Harness (Cont'd)

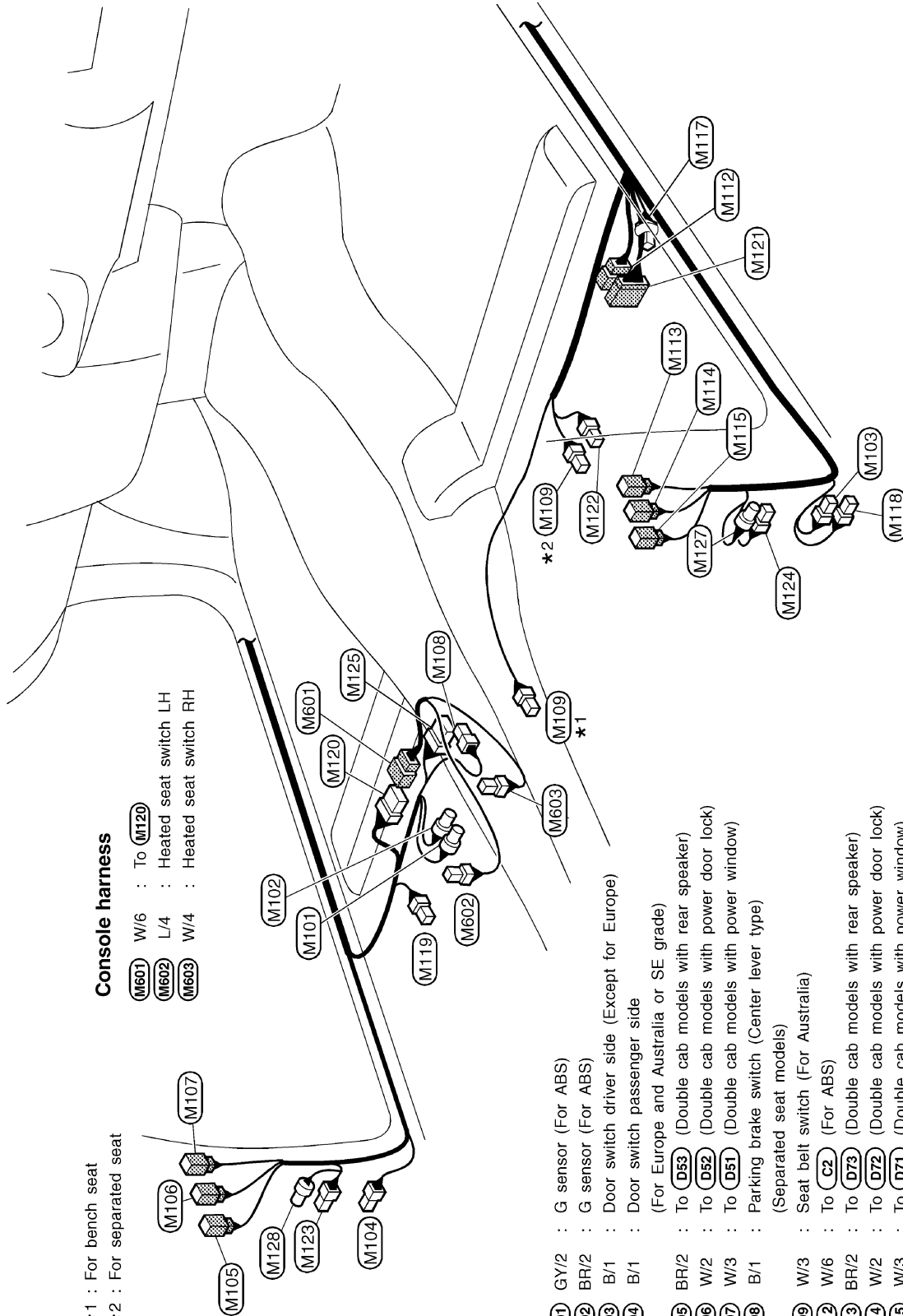
BODY SIDE — LHD MODELS



HARNESS LAYOUT

Main Harness (Cont'd)

BODY SIDE — RHD MODELS



★1 : For bench seat
★2 : For separated seat

Console harness

- (M601) W/6 : To (M120)
- (M602) L/4 : Heated seat switch LH
- (M603) W/4 : Heated seat switch RH

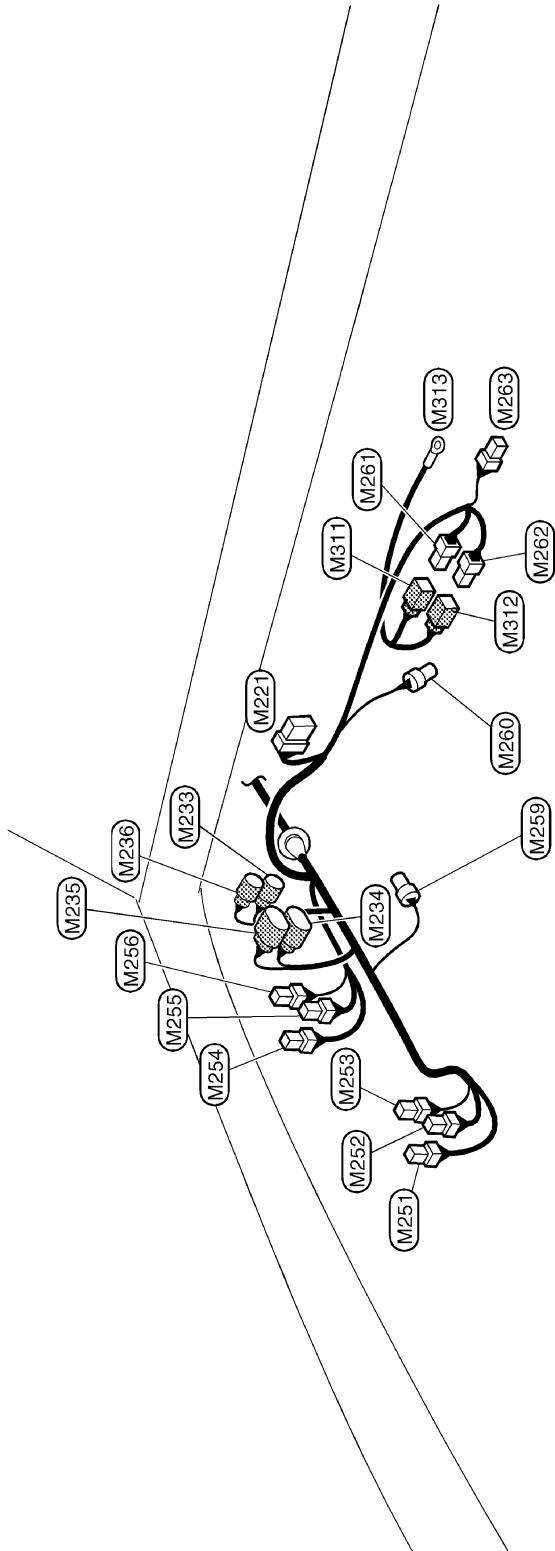
- (M101) GY/2 : G sensor (For ABS)
- (M102) BR/2 : G sensor (For ABS)
- (M103) B/1 : Door switch driver side (Except for Europe)
- (M104) B/1 : Door switch passenger side (For Europe and Australia or SE grade)
- (M105) BR/2 : To (D53) (Double cab models with rear speaker)
- (M106) W/2 : To (D52) (Double cab models with power door lock)
- (M107) W/3 : To (D51) (Double cab models with power window)
- (M108) B/1 : Parking brake switch (Center lever type) (Separated seat models)
- (M109) W/3 : Seat belt switch (For Australia)
- (M110) W/6 : To (C2) (For ABS)
- (M111) BR/2 : To (D73) (Double cab models with rear speaker)
- (M112) W/3 : To (D72) (Double cab models with power door lock)
- (M113) W/3 : To (D71) (Double cab models with power window)
- (M114) W/2 : Condenser (KA engine)
- (M115) B/3 : Door switch driver side (For Europe)
- (M116) W/3 : To heated seat sub-harness LH (For Europe)
- (M117) W/6 : To (M601) (For Europe)
- (M118) W/16 : To (C9)
- (M119) W/3 : To heated seat sub-harness RH (For Europe)
- (M120) W/4 : Front LH seat belt pre-tensioner (With air bag for Europe and Australia)
- (M121) W/4 : Front RH seat belt pre-tensioner (With air bag for Europe and Australia)
- (M122) W/6 : A/T device (A/T models with floor shift)
- (M123) Y/2 : Front RH seat belt pre-tensioner (With air bag except QD engine)
- (M124) Y/2 : Front LH seat belt pre-tensioner (With air bag except QD engine)

GI
MA
EM
LC
EC
FE
CL
MT
AT
TF
PD
FA
RA
BR
ST
RS
BT
HA
EL
IDX

HARNESS LAYOUT

Main Harness (Cont'd)

ENGINE COMPARTMENT — Z, TD AND QD ENGINES (LHD models)



- | | | | | | |
|--------|------|---|--------|------|--|
| (M221) | W/6 | : Wiper motor | (M255) | W/1 | : Glow relay-2 (TD27 engine for cold areas) |
| (M233) | W/2 | : Park/Neutral position switch (With A/T) | (M259) | BR/2 | : Fuel filter switch (Diesel engine) |
| (M234) | GY/8 | : Park/Neutral position switch (With A/T) | (M260) | GY/3 | : Carburetor (Z engine) |
| (M235) | BR/8 | : To terminal cord assembly (With A/T) | (M261) | B/1 | : To (M311) (QD engine) |
| (M236) | GY/3 | : Revolution sensor (With A/T) | (M262) | L/2 | : To (M312) (TD engine) |
| (M251) | W/1 | : Glow relay-1 (Diesel engine) | (M263) | B/2 | : Dropping resistor (TD27 engine for cold areas) |
| (M252) | W/1 | : Glow relay-1 (Diesel engine) | | | |
| (M253) | G/2 | : Glow relay-1 (Diesel engine) | | | |
| (M254) | W/1 | : Glow relay-2 (TD27 engine for cold areas) | | | |
| (M255) | W/1 | : Glow relay-2 (TD27 engine for cold areas) | | | |
-
- | | | |
|--------|-----|-------------------------|
| (M311) | B/1 | : To (M261) (QD engine) |
| (M312) | L/2 | : To (M262) (TD engine) |
| (M313) | — | : Glow plug |

Sub-harness (Diesel engine)

HARNESS LAYOUT

NOTE

GI

MA

EM

LC

EC

FE

CL

MT

AT

TF

PD

FA

RA

BR

ST

RS

BT

HA

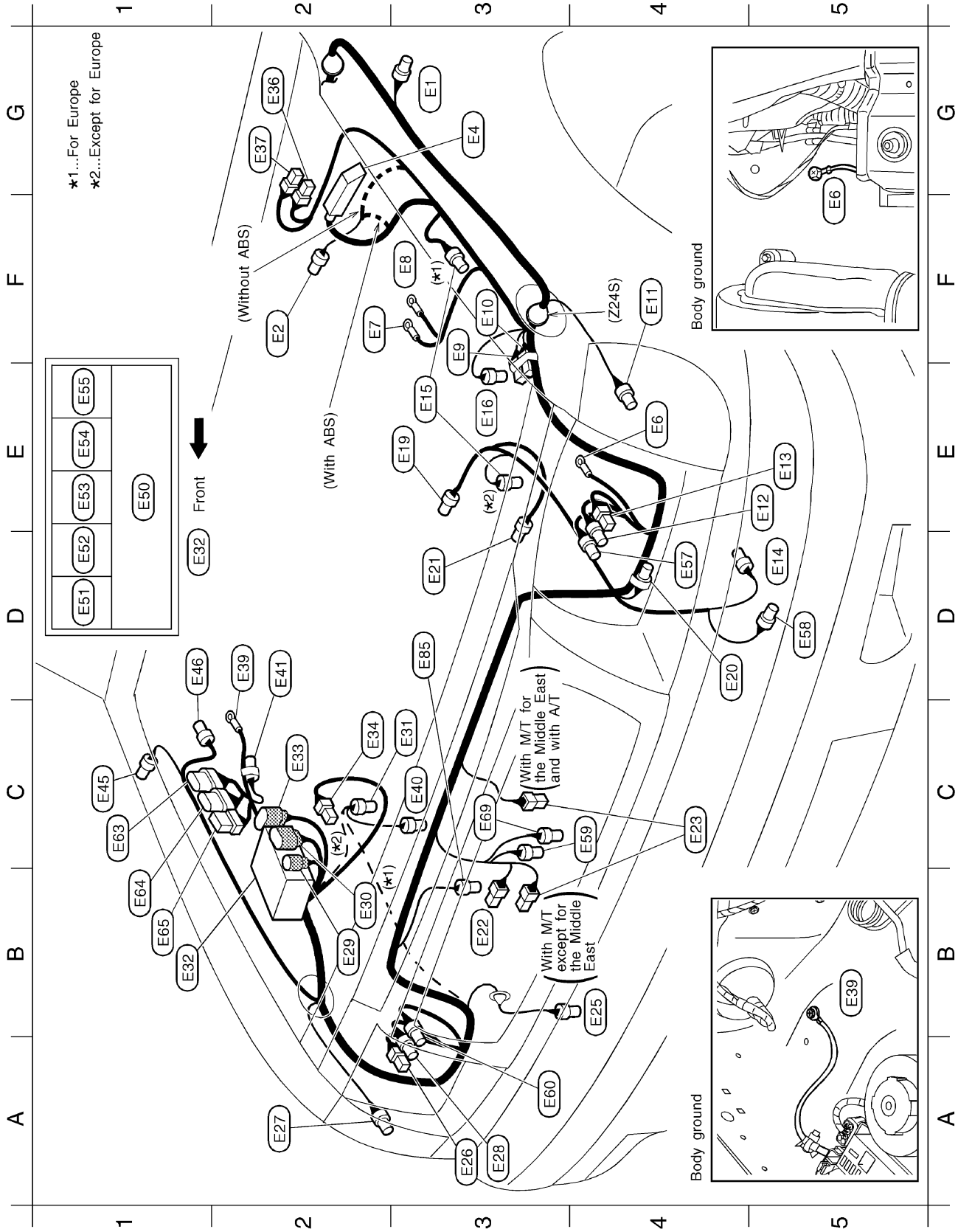
EL

IDX

HARNESS LAYOUT

Engine Room Harness

LHD MODELS — GASOLINE ENGINE

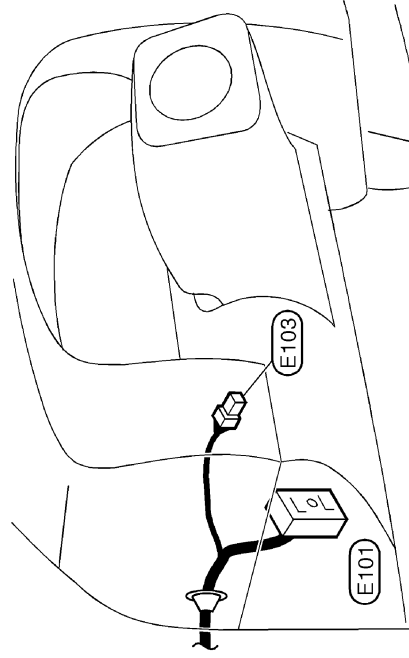


HARNESS LAYOUT

Engine Room Harness (Cont'd)

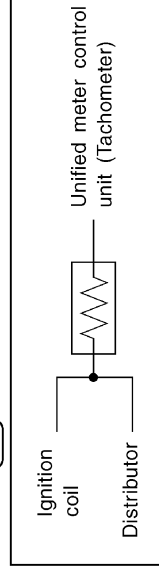
D1	(E52)	L/4	: Air conditioner relay
E1	(E53)	W/3	: Horn relay
E1	(E54)	BR/6	: Park/Neutral position relay (With A/T)
E1	(E55)	B/5	: Automatic choke relay (Z engine)
		BR/6	: ECM relay (KA engine)
D4	(E57)	-/3	: Headlamp aiming motor LH (For the Middle East and Europe)
D5	(E58)	GY/2	: Headlamp washer motor (For Europe)
C4	(E59)	B/2	: Ambient sensor (For Europe)
A3	(E60)	-/3	: Headlamp aiming motor RH (For the Middle East and Europe)
C1	(E63)	SB/6	: Daytime light unit (With daytime light system)
B1	(E64)	SB/8	: Daytime light unit (With daytime light system)
B1	(E65)	W/6	: Headlamp washer amplifier (For Europe)
C3	(E69)	BR/2	: Ambient temperature switch (KA engine)
D3	(E85)	GY/2	: Cooling fan motor (KA engine for the Middle East and Europe)

PASSENGER COMPARTMENT



(E101) SMJ : To (M5)
 (E103) B/2 : Fuse block

Resistor (E9)



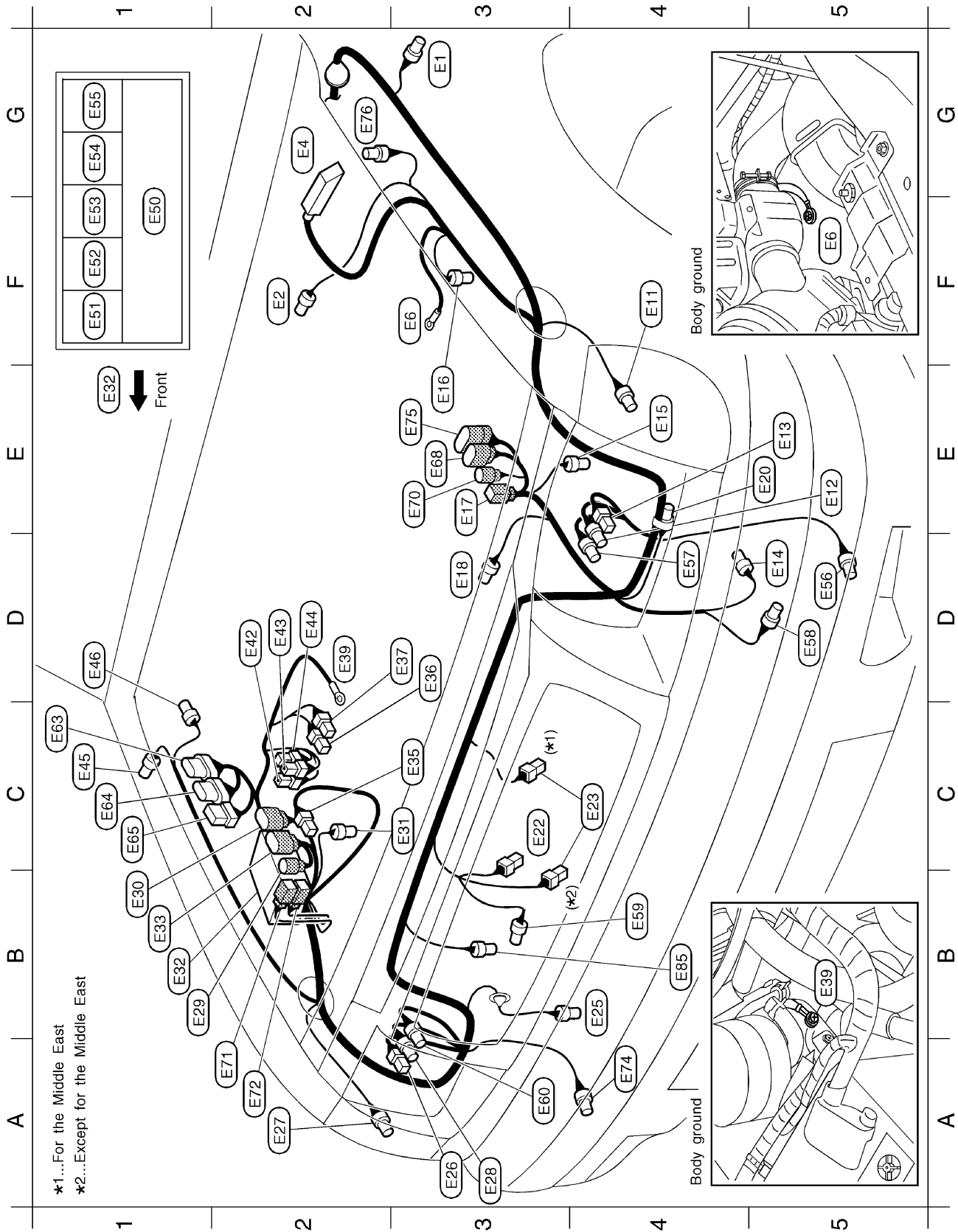
G3	(E1)	GY/2	: Side turn signal lamp LH (With multi-beam type headlamp)
F2	(E2)	GY/2	: Brake fluid level switch
G3	(E4)	B/31	: ABS actuator and electric unit (For ABS)
E4	(E6)	—	: Body ground
F2	(E7)	—	: Ignition coil (Z engine)
F3	(E8)	—	: Ignition coil (Z engine)
F3	(E9)	-/2	: Resistor (Z engine)
F3	(E10)	W/2	: Condenser (Z engine)
F4	(E11)	GY/3	: Front combination lamp LH (Without multi-beam type headlamp)
E5	(E12)	GY/3	: Front combination lamp LH (With multi-beam type headlamp)
E5	(E13)	B/3	: Headlamp LH
D5	(E14)	GY/2	: Washer motor
E3	(E15)	BR/2	: Front wheel sensor LH (For ABS)
E3	(E16)	GY/2	: Intake air temperature sensor (KA engine for Europe)
E3	(E19)	GY/3	: Distributor (Z engine)
D4	(E20)	GY/2	: Option connector (For hood switch) (For Europe)
D3	(E21)	B/1	: Compressor (Z engine)
B3	(E22)	B/1	: Horn low
C4	(E23)	B/1	: Horn high
B4	(E25)	GY/4	: Triple-pressure switch
A3	(E26)	B/3	: Headlamp RH
A2	(E27)	GY/3	: Front combination lamp RH (Without multi-beam type headlamp)
A3	(E28)	GY/3	: Front combination lamp RH (With multi-beam type headlamp)
B2	(E29)	GY/2	: To (E204)
B2	(E30)	GY/8	: To (E203)
C3	(E31)	GY/2	: Front wheel sensor RH (For ABS)
B1	(E32)	—	: Relay box (Fusible link and fuse box)
C2	(E33)	SB/8	: To (E205)
C2	(E34)	B/1	: Battery
G2	(E36)	B/1	: ISC-FI pot control solenoid valve (Z engine)
G2	(E37)	B/1	: ISC-FI pot control solenoid valve (Z engine)
D2	(E39)	—	: Body ground
C3	(E40)	B/2	: Power steering oil pressure switch (For Europe)
D2	(E41)	B/1	: Option connector (For front fog lamp) (For Europe)
C1	(E45)	GY/2	: Side turn signal lamp RH (With multi-beam type headlamp)
D1	(E46)	GY/3	: Power antenna (For the Middle East and Europe)
E1	(E50)	—	: Fusible link and fuse box
D1	(E51)	L/4	: Cooling fan relay (KA engine for the Middle East and Europe)

GI
 MA
 EM
 LC
 EC
 FE
 CL
 MT
 AT
 TF
 PD
 FA
 RA
 BR
 ST
 RS
 BT
 HA
 EL
 IDX

HARNESS LAYOUT

Engine Room Harness (Cont'd)

LHD MODELS — DIESEL ENGINE



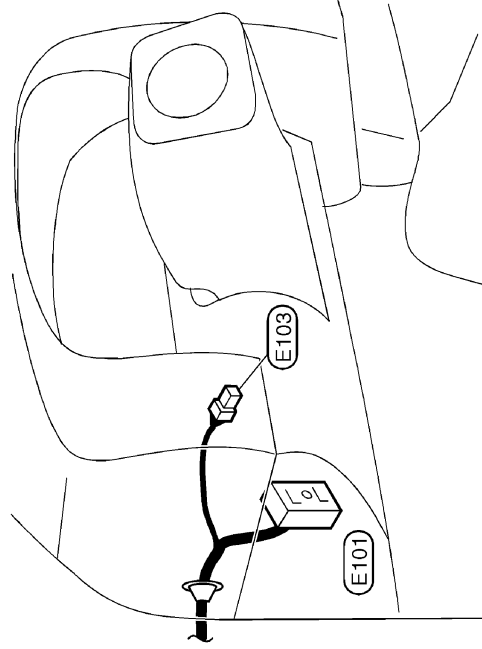
*1...For the Middle East
 *2...Except for the Middle East

HARNESS LAYOUT

Engine Room Harness (Cont'd)

- D4 (E57) -/3 : Headlamp aiming motor LH (For the Middle East and Europe)
- D5 (E58) GY/2 : Headlamp washer motor (For Europe)
- B4 (E59) B/2 : Ambient sensor (For auto A/C) (YD and ZD engines)
- A3 (E60) -/3 : Headlamp aiming motor RH (For the Middle East and Europe)
- C1 (E63) SB/6 : Daytime light unit (With daytime light system)
- C1 (E64) SB/8 : Daytime light unit (With daytime light system)
- C1 (E65) W/6 : Headlamp washer amplifier (For Europe)
- E3 (E68) GY/8 : To (A13) (TD and QD engines with M/T)
- E3 (E70) BR/3 : To (A14) (YD and ZD engines)
- A2 (E71) B/2 : To (E231) (YD and ZD engines)
- A2 (E72) B/1 : To (E232) (YD and ZD engines)
- A4 (E74) B/2 : Front fog lamp RH (For Europe or with ZD engine)
- E3 (E75) GY/10 : To (A15) (With A/T)
- G2 (E76) GY/2 : Dropping resistor (With A/T)
- B4 (E85) GY/2 : Cooling fan motor (Except TD engine)

PASSENGER COMPARTMENT



- (E101) SMJ : To (M5)
- (E103) B/2 : Fuse block

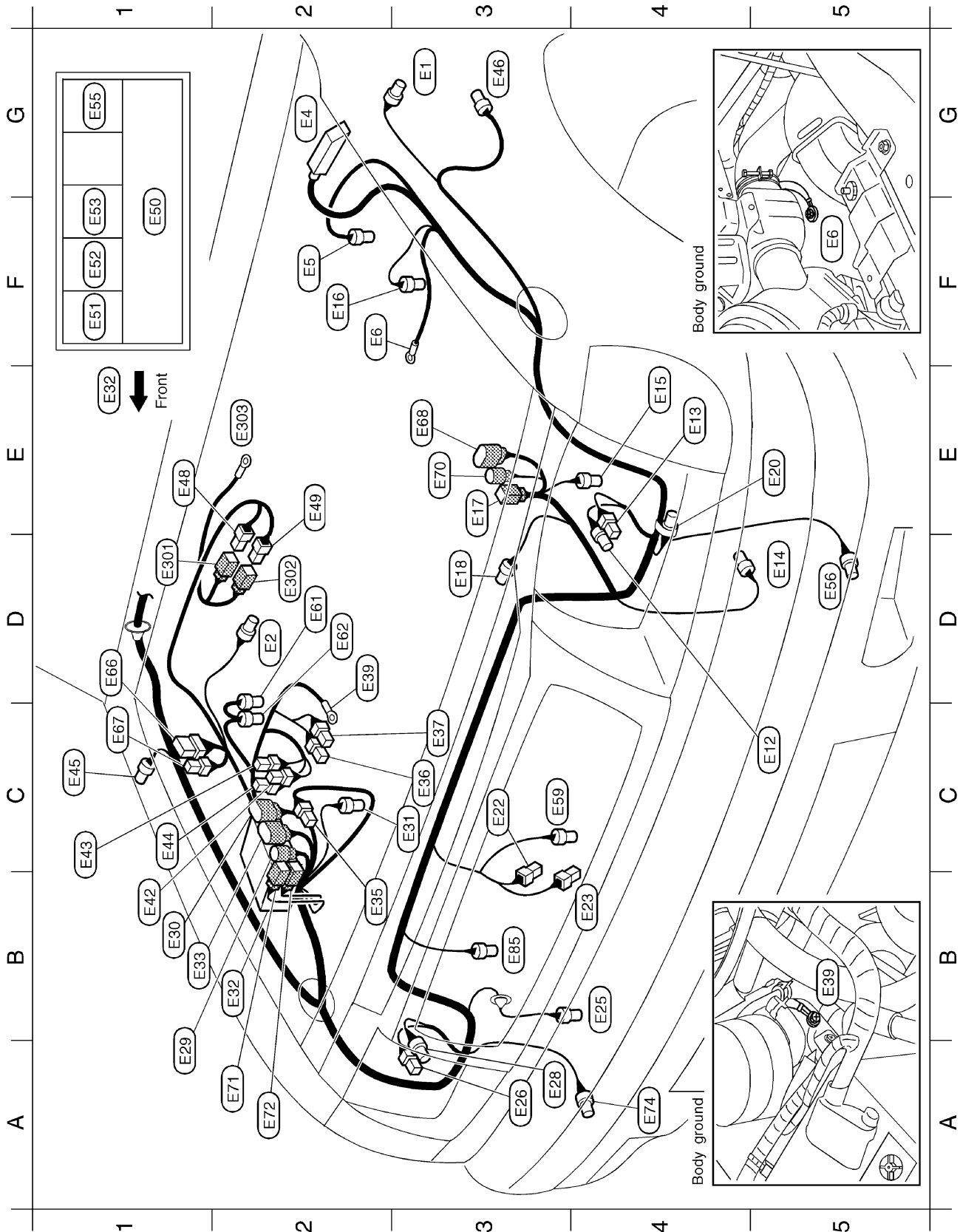
- G3 (E1) GY/2 : Side turn signal lamp LH (Except for the Middle East)
- F2 (E2) GY/2 : Brake fluid level switch (With M/T)
- G2 (E4) B/31 : ABS actuator and electric unit (For ABS)
- F3 (E6) — : Body ground
- F4 (E11) GY/3 : Front combination lamp LH (For the Middle East)
- E5 (E12) GY/3 : Front combination lamp LH (Except for the Middle East)
- E5 (E13) B/3 : Headlamp LH
- D5 (E14) GY/2 : Washer motor
- E4 (E15) BR/2 : Front wheel sensor LH (For ABS)
- E3 (E16) GY/2 : Intake air temperature sensor (YD and ZD engines)
- E3 (E17) B/2 : To (A2)
- D3 (E18) GY/2 : Thermostat (TD engine for the Middle East and QD engines)
- E5 (E20) GY/2 : Option connector (For hood switch) (For Europe)
- C3 (E22) B/1 : Horn low
- C4 (E23) B/1 : Horn high
- B4 (E25) GY/4 : Triple-pressure switch
- A3 (E26) B/3 : Headlamp RH
- A2 (E27) GY/3 : Front combination lamp RH (For the Middle East)
- A3 (E28) GY/3 : Front combination lamp RH (Except for the Middle East)
- B1 (E29) GY/2 : To (E204)
- B1 (E30) GY/8 : To (E203) (YD and ZD engines)
- C3 (E31) GY/2 : Front wheel sensor RH (For ABS)
- B1 (E32) — : Relay box (Fusible link and fuse box)
- B1 (E33) SB/8 : To (E205)
- C3 (E35) B/1 : To (E206) (TD and QD engines)
- D3 (E36) B/1 : IACV-FICD solenoid valve (TD and QD engines)
- D3 (E37) B/1 : IACV-FICD solenoid valve (TD and QD engines)
- D2 (E39) — : Body ground
- D2 (E42) W/1 : Glow relay-1 (YD and ZD engines)
- D2 (E43) W/1 : Glow relay-1 (YD and ZD engines)
- D2 (E44) G/2 : Glow relay-1 (YD and ZD engines)
- C1 (E45) GY/2 : Side turn signal lamp RH (Except for the Middle East)
- D1 (E46) GY/3 : Power antenna (For Europe)
- F1 (E50) — : Fusible link and fuse box
- F1 (E51) L/4 : Cooling fan relay (TD engine for the Middle East, QD, YD and ZD engines)
- F1 (E52) L/4 : Air conditioner relay
- F1 (E53) W/3 : Horn relay
- G1 (E54) L/4 : Park/Neutral position (PNP) relay (With A/T)
- G1 (E55) BR/6 : ECM relay (YD and ZD engines)
- B/5 : ATP relay (With A/T)
- D5 (E56) B/2 : Front fog lamp LH (For Europe or with ZD engine)

GI
 MA
 EM
 LC
 EC
 FE
 CL
 MT
 AT
 TF
 PD
 FA
 RA
 BR
 ST
 RS
 BT
 HA
 EL
 IDX

HARNESS LAYOUT

Engine Room Harness (Cont'd)

RHD MODELS — DIESEL ENGINE

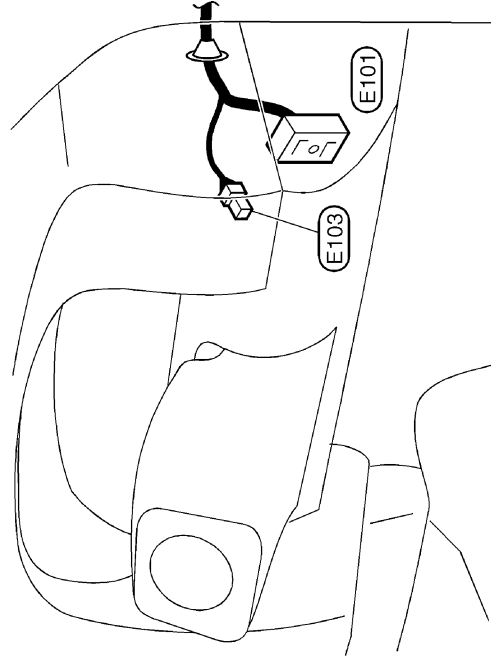


HARNESS LAYOUT

Engine Room Harness (Cont'd)

- D2 **(E61)** B/2 : EGRC-solenoid valve (Throttle chamber)
(TD engine with EGR)
- D2 **(E62)** BR/2 : EGRC-solenoid valve (EGR valve)
(TD engine with EGR)
- D1 **(E66)** GY/6 : Dim-dip lamp unit (For Europe)
- C1 **(E67)** GY/4 : Dim-dip lamp unit (For Europe)
- E3 **(E68)** GY/8 : To **(A13)** (TD and QD engines)
- E3 **(E70)** BR/3 : To **(A14)** (YD and ZD engines)
- A2 **(E71)** B/2 : To **(E231)** (YD and ZD engines)
- A2 **(E72)** B/1 : To **(E232)** (YD and ZD engines)
- A4 **(E74)** B/2 : Front fog lamp RH (For Europe)
- B3 **(E85)** GY/2 : Cooling fan motor (Except TD engine)

PASSENGER COMPARTMENT



- (E101)** SMJ : To **(M5)**
- (E103)** B/2 : Fuse block

Sub-harness

- D1 **(E301)** B/1 : To **(E48)** (QD engine)
- D2 **(E302)** L/2 : To **(E49)** (TD engine)
- E2 **(E303)** — : Glow plug (TD and QD engines)

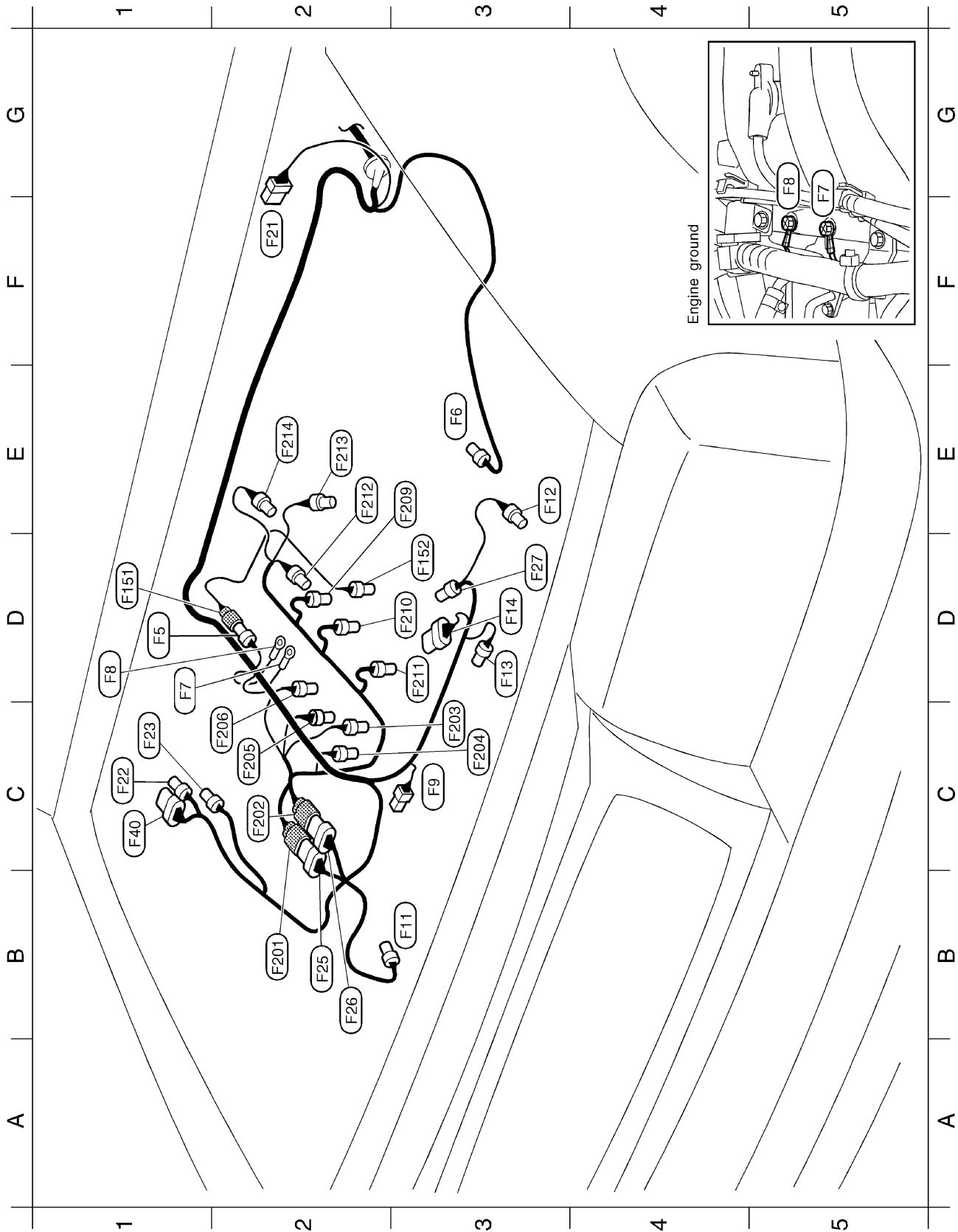
- G3 **(E1)** GY/2 : Side turn signal lamp LH
- D2 **(E2)** GY/2 : Brake fluid level switch
- G2 **(E4)** B/31 : ABS actuator and electric unit (For ABS)
- F2 **(E5)** BR/2 : Fuel filter switch (Except for Europe)
- F2 **(E6)** — : Body ground
- C5 **(E12)** GY/3 : Front combination lamp LH
- E4 **(E13)** B/3 : Headlamp LH
- D5 **(E14)** GY/2 : Washer motor
- E4 **(E15)** BR/2 : Front wheel sensor LH (For ABS)
- F2 **(E16)** GY/2 : Intake air temperature sensor (YD and ZD engines)
- E3 **(E17)** B/2 : To **(A2)**
- D3 **(E18)** GY/2 : Thermostat (QD engine)
- E5 **(E20)** GY/2 : Option connector (For hood switch) (For Europe)
- C3 **(E22)** B/1 : Horn low
- B4 **(E23)** B/1 : Horn high (ZD engine except for Australia, YD and QD engines)
- B4 **(E25)** GY/4 : Triple-pressure switch
- A3 **(E26)** B/3 : Headlamp RH
- A3 **(E28)** BR/3 : Front combination lamp RH
- A1 **(E29)** GY/2 : To **(E204)**
- B1 **(E30)** GY/8 : To **(E203)** (With ECM control engine)
- C3 **(E31)** GY/2 : Front wheel sensor RH (For ABS)
- B2 **(E32)** — : Relay box (Fusible link and fuse box)
- B1 **(E33)** SB/8 : To **(E205)**
- B2 **(E35)** B/1 : To **(E206)** (TD and QD engines)
- C3 **(E36)** B/1 : IACV-FICD solenoid valve (TD and QD engines)
- C3 **(E37)** B/1 : IACV-FICD solenoid valve (TD and QD engines)
- D2 **(E39)** — : Body ground
- B1 **(E42)** W/1 : Glow relay-1
- C1 **(E43)** W/1 : Glow relay-1
- C1 **(E44)** G/2 : Glow relay-1
- C1 **(E45)** GY/2 : Side turn signal lamp RH
- G3 **(E46)** GY/3 : Power antenna (For Europe)
- E1 **(E48)** B/1 : To **(E301)** (QD engine)
- E2 **(E49)** L/2 : To **(E302)** (TD engine)
- F1 **(E50)** — : Fusible link and fuse box
- F1 **(E51)** L/4 : Cooling fan relay (Except TD engine)
- F1 **(E52)** L/4 : Air conditioner relay
- F1 **(E53)** W/3 : Horn relay
- G1 **(E55)** BR/6 : ECM relay (YD and ZD engines)
- D5 **(E56)** B/2 : Front fog lamp LH (For Europe)
- C3 **(E59)** B/2 : Ambient sensor (YD and ZD engines)

GI
MA
EM
LC
EC
FE
CL
MT
AT
TF
PD
FA
RA
BR
ST
RS
BT
HA
EL
IDX

HARNESS LAYOUT

Engine Control Harness

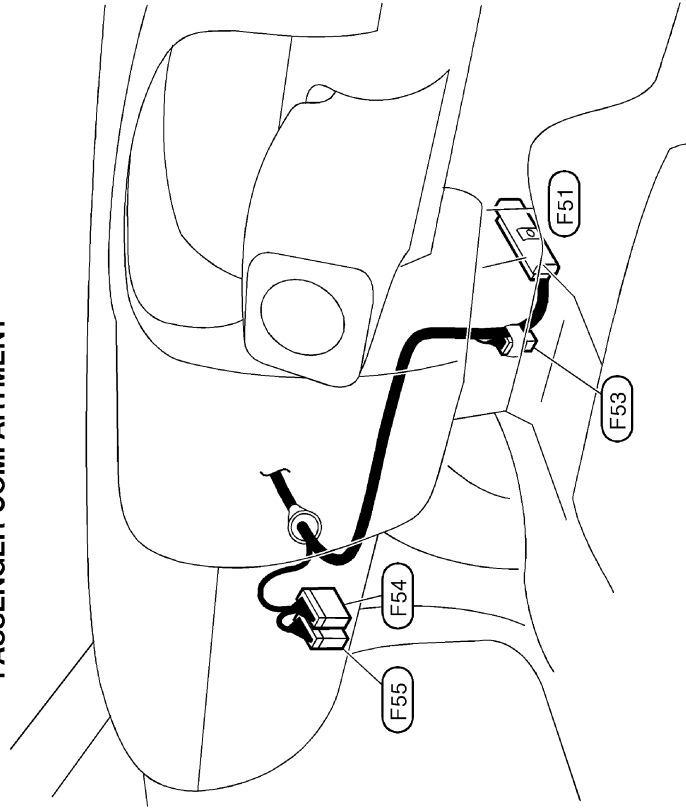
VG ENGINE



HARNESS LAYOUT

Engine Control Harness (Cont'd)

PASSENGER COMPARTMENT



- (F51) W/76 : ECM
- (F53) GY/6 : Joint connector-1
- (F54) W/24 : To (M48)
- (F55) W/16 : To (M47)

- D1 (F5) GY/2 : To (F151)
- E3 (F6) BR/4 : Mass air flow sensor
- D1 (F7) — : Engine ground
- D1 (F8) — : Engine ground
- C3 (F9) B/1 : Thermal transmitter
- B3 (F11) B/2 : Power steering oil pressure switch
- E3 (F12) B/1 : Compressor
- D3 (F13) GY/2 : Distributor
- D3 (F14) GY/6 : Distributor
- F2 (F21) W/6 : Wiper motor
- C1 (F22) GY/3 : Heated oxygen sensor 1 (Bank 1)
- C1 (F23) GY/3 : Heated oxygen sensor 1 (Bank 2)
- B2 (F25) SB/8 : To (F201)
- B2 (F26) GY/8 : To (F202)
- D3 (F27) BR/3 : Throttle position sensor
- C1 (F40) GY/8 : To (E227)
- B2 (F201) SB/8 : To (F25)
- C2 (F202) GY/8 : To (F26)
- C3 (F203) GY/2 : Engine coolant temperature sensor
- C3 (F204) B/2 : Injector No.1
- C2 (F205) B/2 : Injector No.3
- C2 (F206) B/2 : Injector No.5
- E3 (F209) B/2 : Injector No.6
- D3 (F210) B/2 : Injector No.4
- D3 (F211) B/2 : Injector No.2
- E2 (F212) BR/2 : IACV-AAC valve
- E2 (F213) GY/2 : IACV-FICD solenoid valve
- E2 (F214) B/2 : EVAP canister purge volume control solenoid valve

Sub-harness

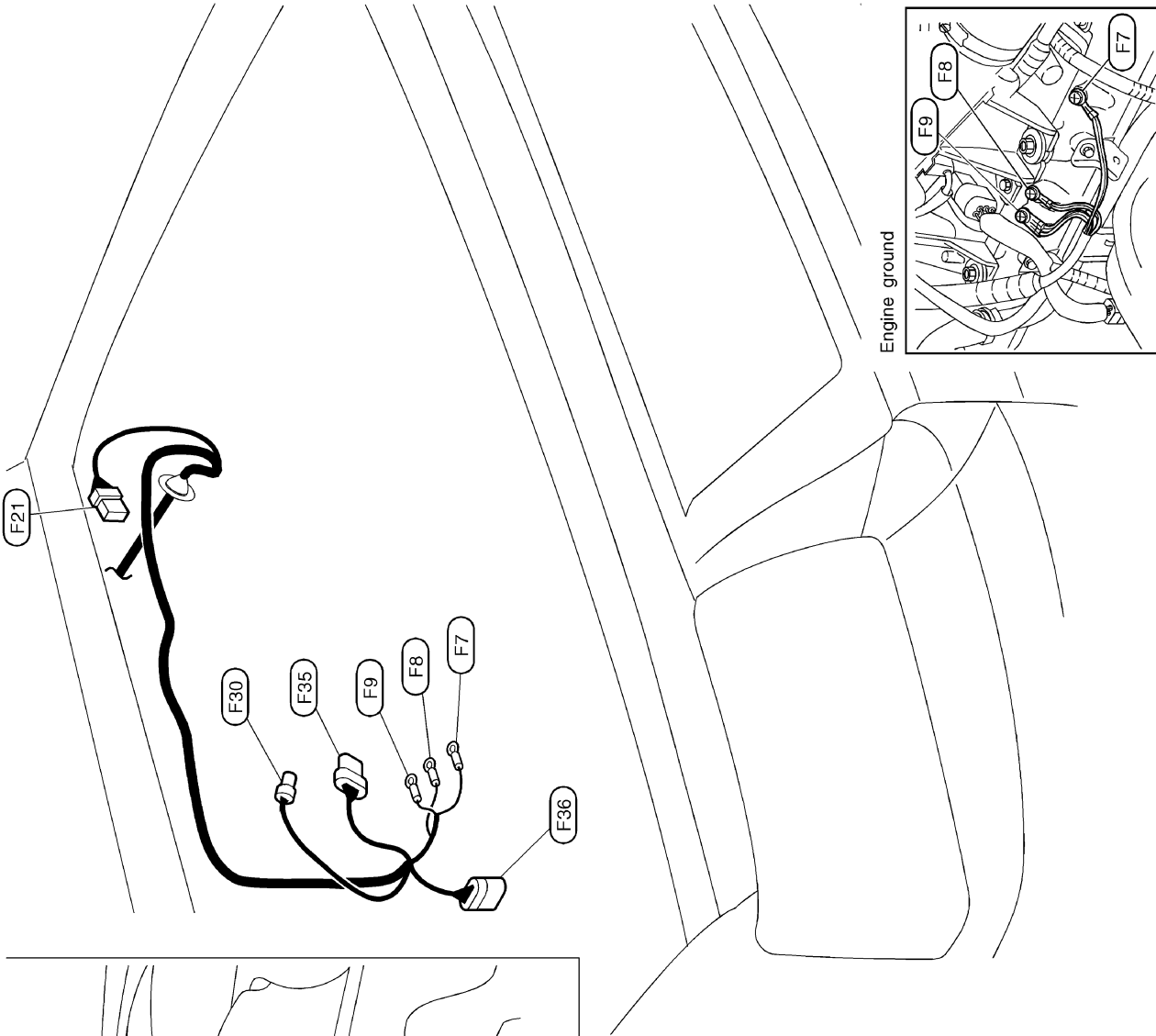
- D1 (F151) GY/2 : To (F5)
- D3 (F152) GY/2 : Knock sensor

GI
MA
EM
LC
EC
FE
CL
MT
AT
TF
PD
FA
RA
BR
ST
RS
BT
HA
EL
IDX

HARNESS LAYOUT

Engine Control Harness (Cont'd)

ENGINE COMPARTMENT — YD ENGINE (RHD models)



PASSENGER COMPARTMENT

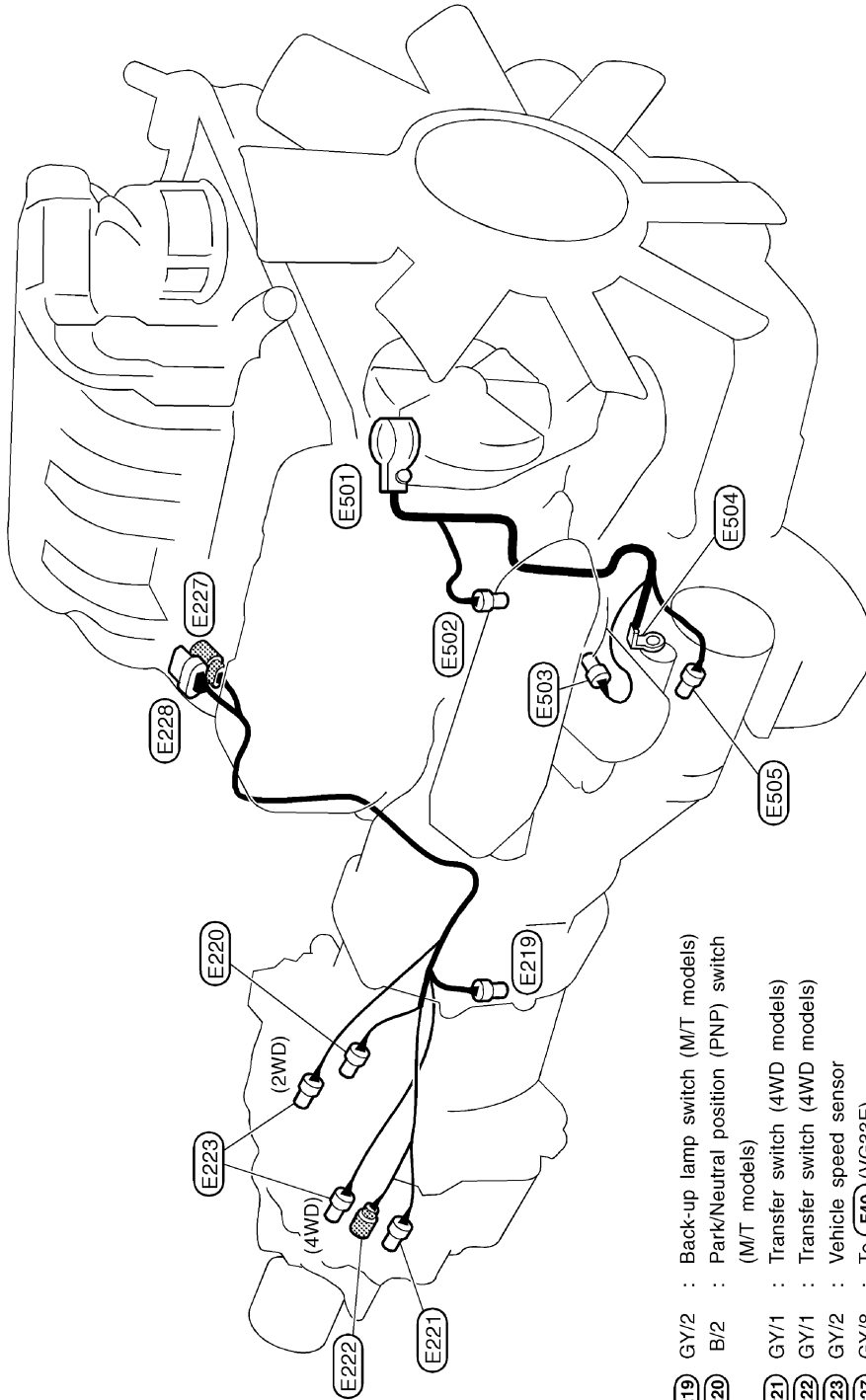
- (F51) W/88 : ECM
- (F54) W/24 : To (M48)
- (F55) W/16 : To (M47)

- (F7) — : Engine ground
- (F8) — : Engine ground
- (F9) — : Engine ground
- (F21) W/6 : Wiper motor
- (F30) GY/3 : Charge air pressure sensor
- (F35) GY/8 : To (E236)
- (F36) GY/10 : To (E237)

HARNESS LAYOUT

Engine Harness

VG ENGINE



- E219** GY/2 : Back-up lamp switch (M/T models)
- E220** B/2 : Park/Neutral position (PNP) switch (M/T models)
- E221** GY/1 : Transfer switch (4WD models)
- E222** GY/1 : Transfer switch (4WD models)
- E223** GY/2 : Vehicle speed sensor
- E227** GY/8 : To **F40** (VG33E)
- E228** SB/8 : To **F24** (VG30E)

Starter motor sub-harness

- E501** — : Battery
- E502** GY/2 : To **E29**
- E503** GY/1 : Oil pressure switch
- E504** — : Starter motor
- E505** GY/1 : Starter motor

GI

MA

EM

LC

EC

FE

CL

MT

AT

TF

PD

FA

RA

BR

ST

RS

BT

HA

EL

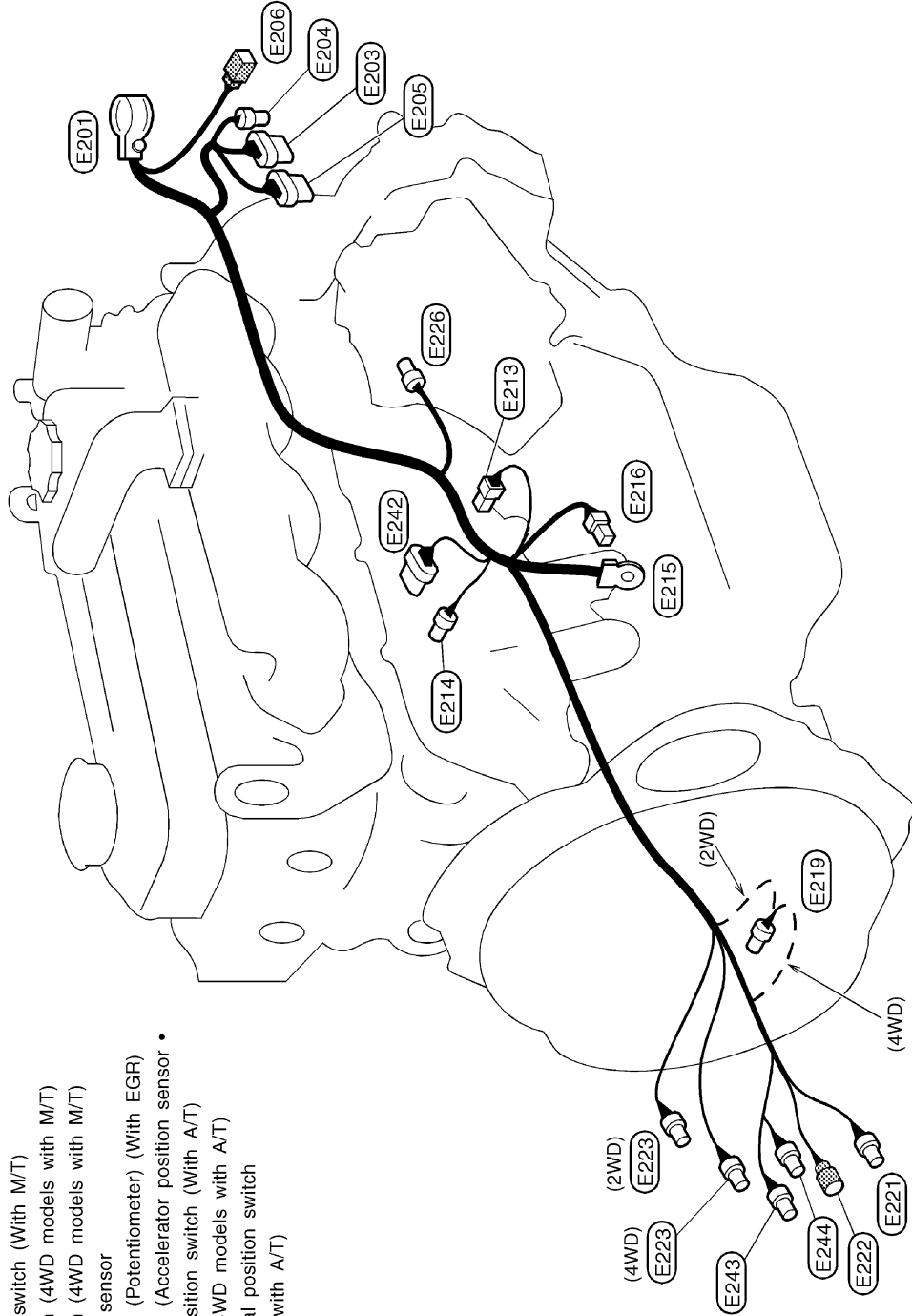
IDX

HARNESS LAYOUT

Engine Harness (Cont'd)

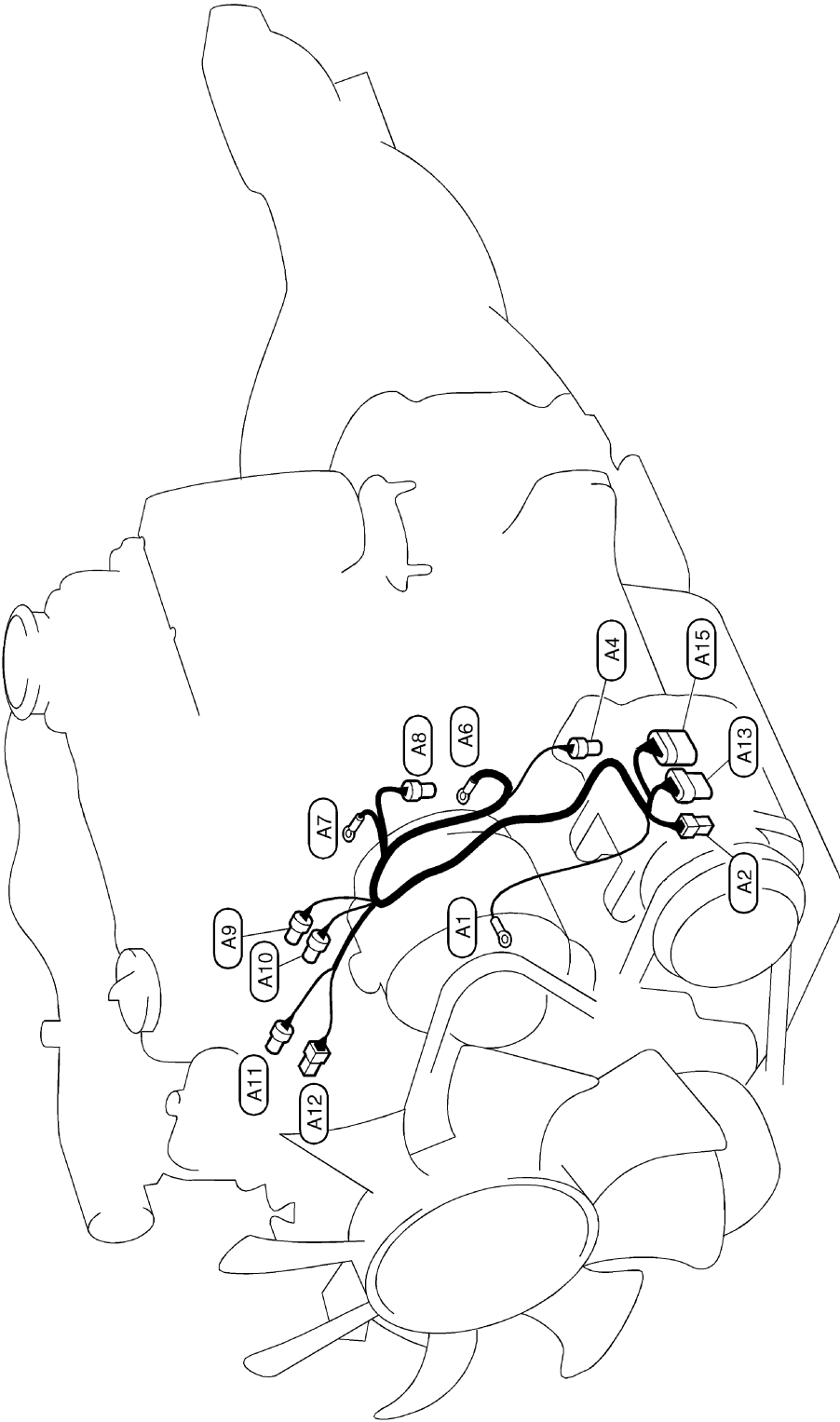
TD AND QD ENGINES

- E201** : Battery
- E203** : To **E30** (With A/T or with EGR)
- E204** : To **E29**
- E205** : To **E33**
- E206** : To **E35**
- E213** : Oil pressure switch
- E214** : Injection pump (Fuel cut solenoid valve • Solenoid timer)
- E215** : Starter motor
- E216** : Starter motor
- E219** : Back-up lamp switch (With M/T)
- E221** : Transfer switch (4WD models with M/T)
- E222** : Transfer switch (4WD models with M/T)
- E223** : Vehicle speed sensor
- E226** : Injection pump (Potentiometer) (With EGR)
- E242** : Injection pump (Accelerator position sensor • Accelerator position switch (With A/T))
- E243** : 4WD switch (4WD models with A/T)
- E244** : Transfer neutral position switch (4WD models with A/T)

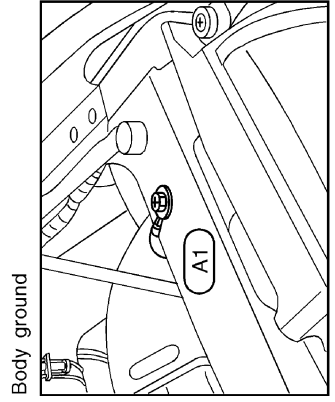


HARNES LAYOUT

Alternator Harness



A1	—	: Body ground
A2	B/2	: To E17
A4	B/1	: Compressor
A6	—	: Alternator (B)
A7	—	: Alternator (E)
A8	GY/2	: Alternator (S.L)
A9	GY/2	: Not used (With A/T)
A10	BR/2	: Engine revolution sensor
A11	GY/2	: Engine coolant temperature sensor
A12	B/1	: Thermal transmitter
A13	GY/8	: To E68 (With M/T)
A14	GY/10	: To E75 (With A/T)
A15	GY/10	: To E75 (With A/T)

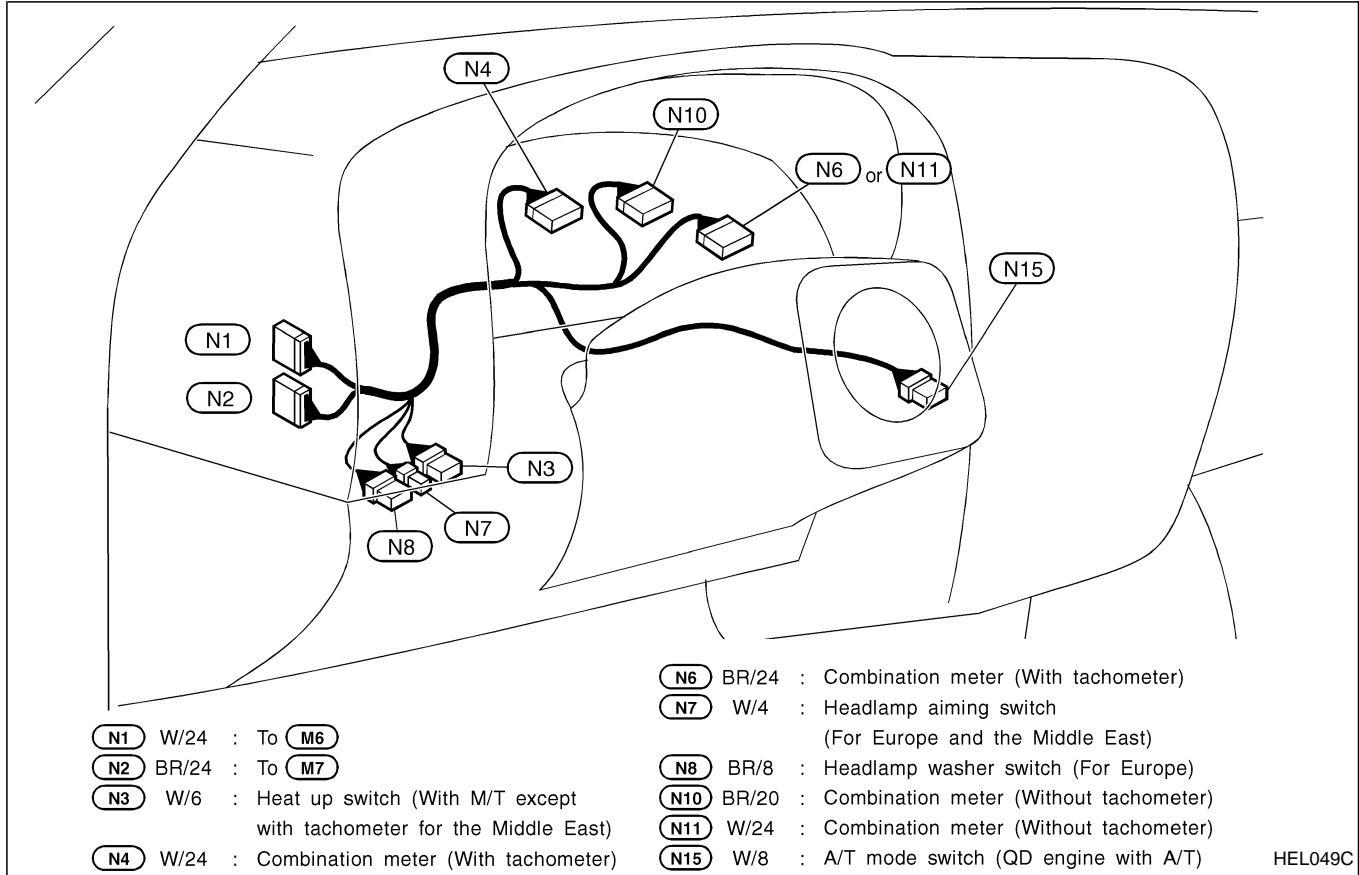


- GI
- MA
- EM
- LC
- EC
- FE
- CL
- MT
- AT
- TF
- PD
- FA
- RA
- BR
- ST
- RS
- BT
- HA
- EL**
- IDX

HARNESS LAYOUT

Instrument Harness

LHD MODELS



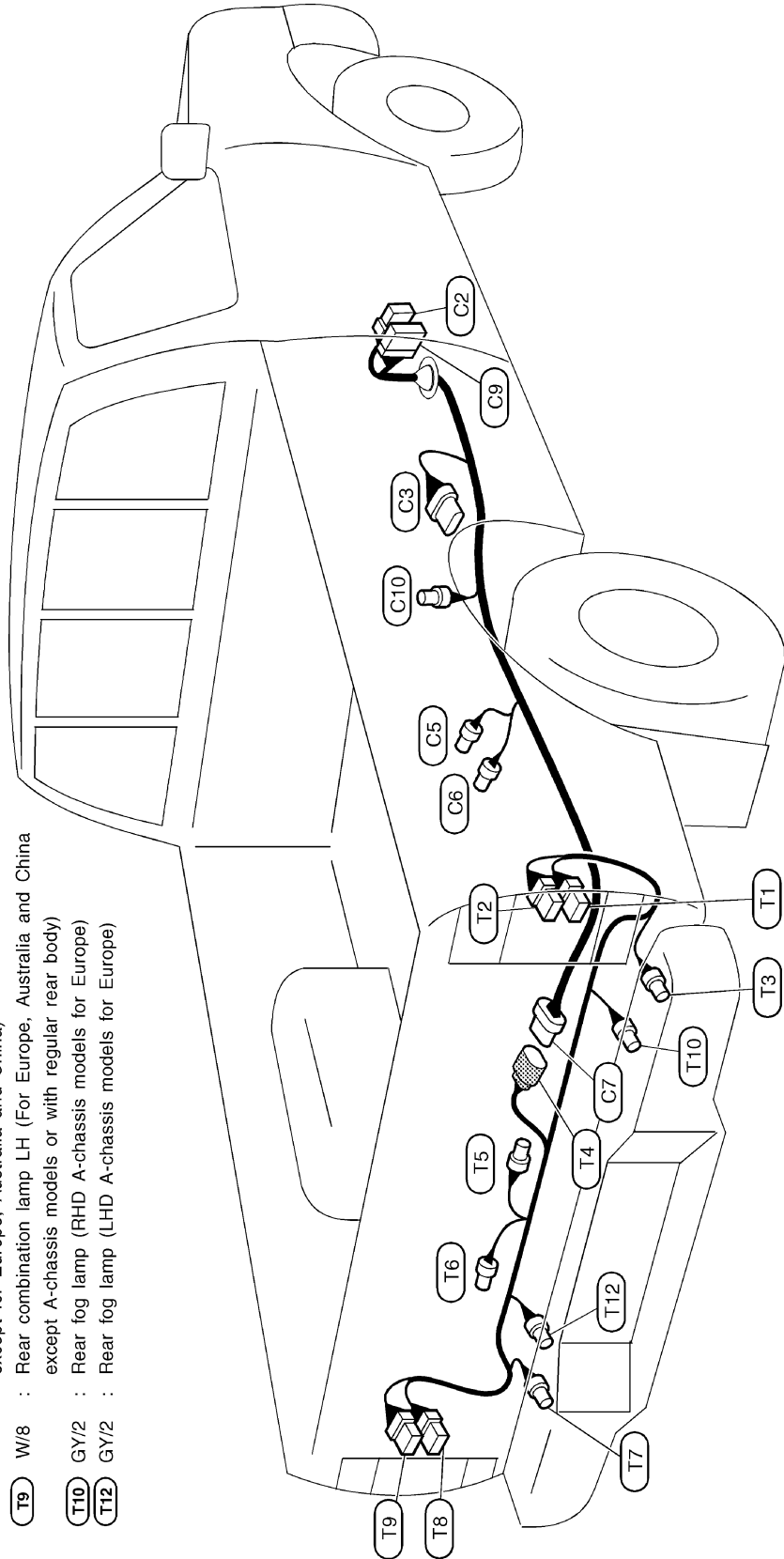
Chassis Harness and Tail Harness

Tail harness

- T1** W/6 : Rear combination lamp RH
(A-chassis models or with smooth rear body
except for Europe, Australia and China)
- T2** W/8 : Rear combination lamp RH (For Europe, Australia and China
except A-chassis models or with regular rear body)
- T3** GY/2 : License plate lamp RH (With step bumper)
- T4** SB/8 : To **C7**
- T5** GY/2 : License plate lamp RH (Without step bumper)
- T6** GY/2 : License plate lamp LH (Without step bumper)
- T7** B/2 : License plate lamp LH (With step bumper)
- T8** W/6 : Rear combination lamp LH
(A-chassis models or with smooth rear body
except for Europe, Australia and China)
- T9** W/8 : Rear combination lamp LH (For Europe, Australia and China
except A-chassis models or with regular rear body)
- T10** GY/2 : Rear fog lamp (RHD A-chassis models for Europe)
- T12** GY/2 : Rear fog lamp (LHD A-chassis models for Europe)

Chassis harness

- C2** W/6 : To **M112** (With ABS)
- C3** GY/5 : Fuel level sensor unit and fuel pump
- C5** SB/4 : To rear wheel sensor sub-harness (For ABS)
(4WD models and 2WD models with LT30 rear brake)
- C6** GY/2 : Rear wheel sensor (For ABS)
(2WD models with LT26B rear brake)
- C7** SB/8 : To **T4**
- C9** W/16 : To **M121**
- C10** BR/2 : High-mounted stop lamp (With guard bar)

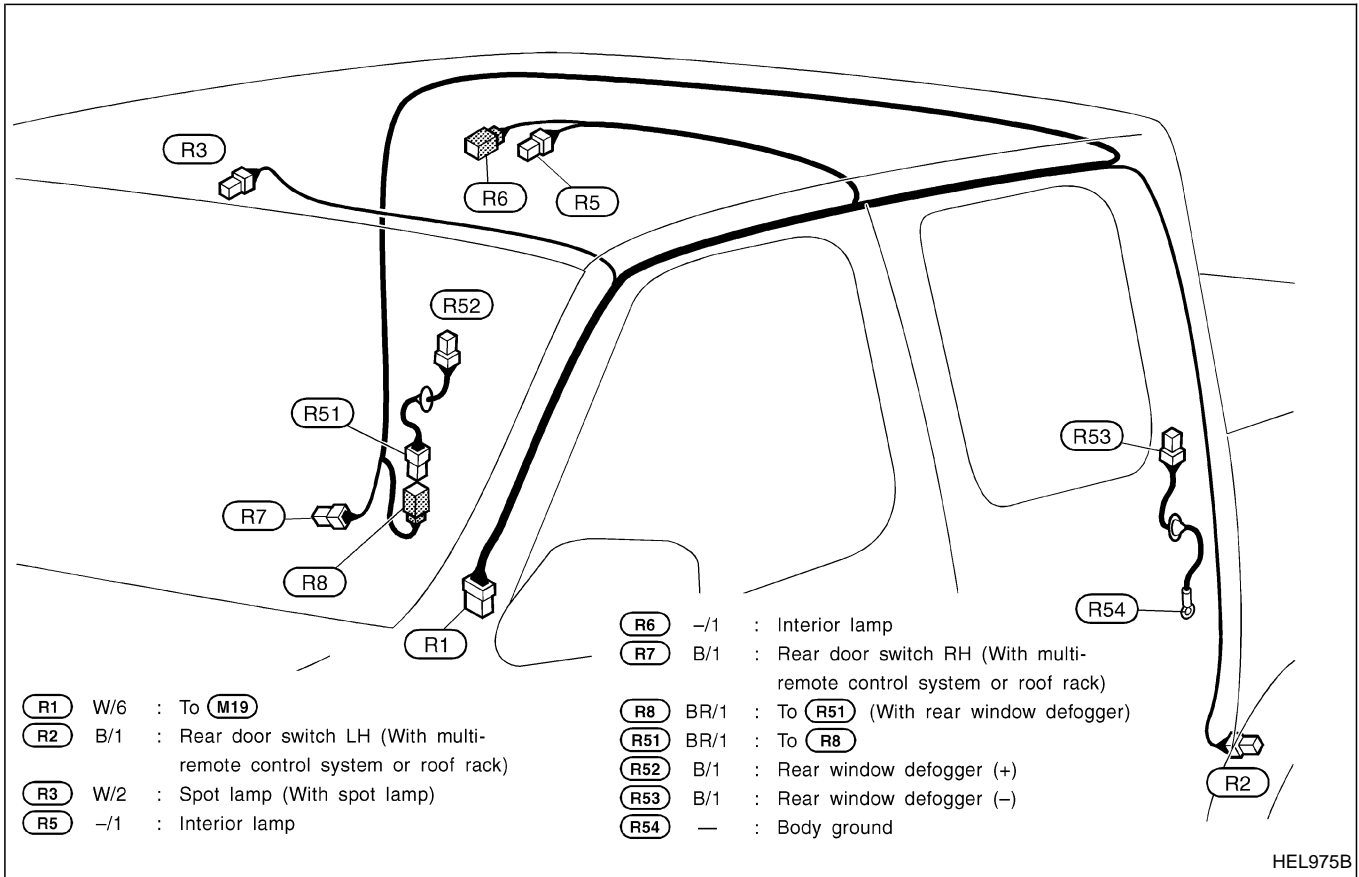


GI
 MA
 EM
 LC
 EC
 FE
 CL
 MT
 AT
 TF
 PD
 FA
 RA
 BR
 ST
 RS
 BT
 HA
EL
 IDX

HARNES LAYOUT

Room Lamp Harness/LHD Models

DOUBLE CAB

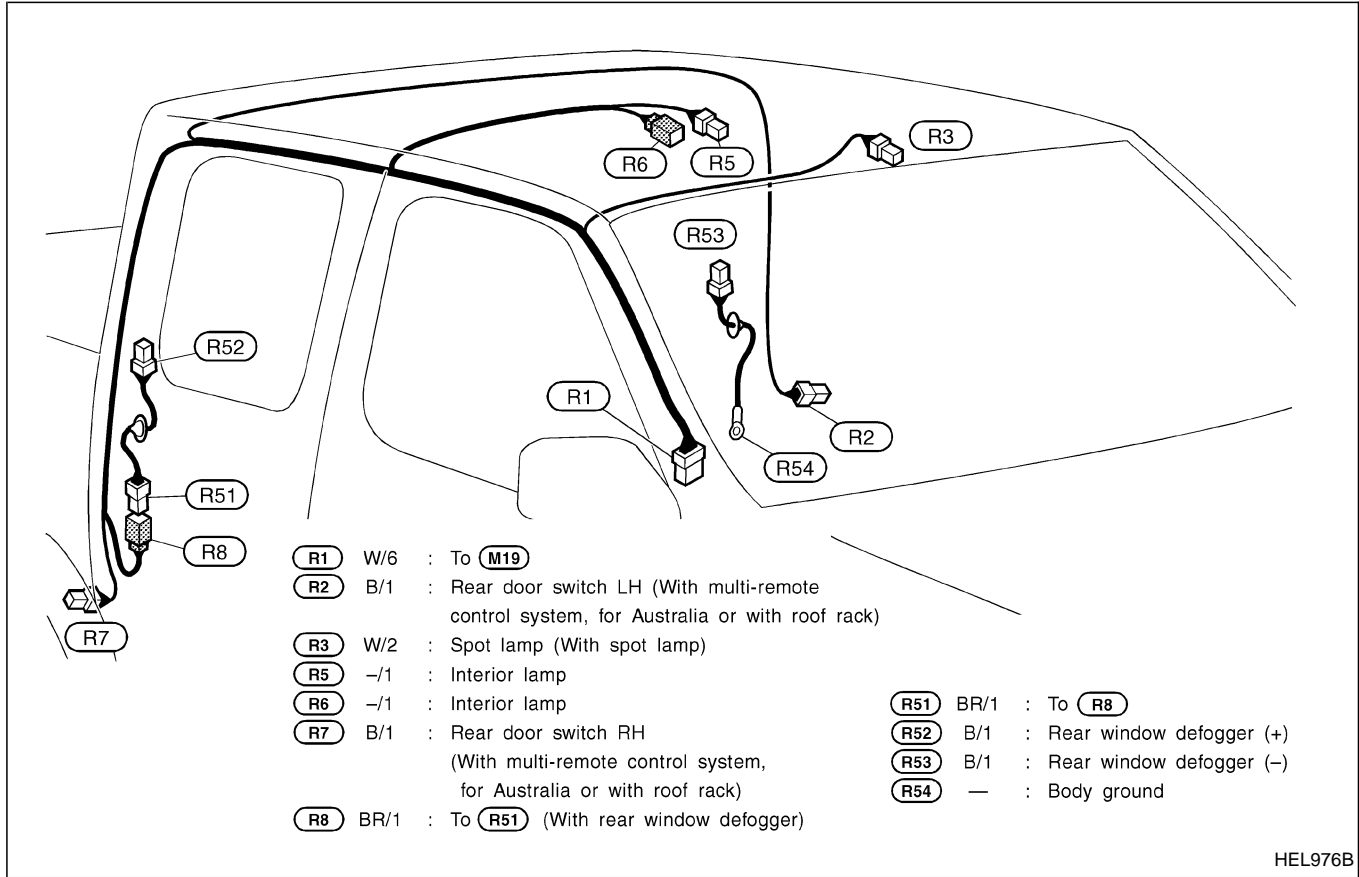


HEL975B

HARNES LAYOUT

Room Lamp Harness/RHD Models

DOUBLE CAB



GI

MA

EM

LC

EC

FE

CL

MT

AT

TF

PD

FA

RA

BR

ST

RS

BT

HA

EL

IDX

WIRING DIAGRAM CODES (CELL CODES)

Use the chart below to find out what each wiring diagram code stands for.

Refer to the wiring diagram code in the alphabetical index to find the location (page number) of each wiring diagram.

Code	Section	Wiring Diagram Name
AAC/V	EC	IACV-AAC Valve
A/C, A	HA	Auto Air Conditioner
A/C, M	HA	Manual Air Conditioner
A/CCUT	EC	Air Conditioner Control
AIRREG	EC	IACV-Air Regulator
APS	AT	Accelerator Position Sensor
AUDIO	EL	Audio
BACK/L	EL	Back-up Lamp
BA/FTS	AT	BATT/A/T Fluid Temperature Sensor and TCM Power Supply
CHARGE	EL	Charging System
CHIME	EL	Warning Chime
CMPS	EC	Camshaft Position Sensor
COOL/F	LC, EC	Cooling Fan Control
ECTS	EC	Engine Coolant Temperature Sensor
ENGSS	AT	Engine Speed Signal
F/FOG	EL	Front Fog Lamp
FICD	EC	IACV-FICD Solenoid Valve
F/PUMP	EC	Fuel Pump
GLOW	EC	Quick-glow System
H/AIM	EL	Headlamp Aiming Control
IGN/SG	EC	Ignition Signal
ILL	EL	Illumination
INJECT	EC	Injector
KS	EC	Knock Sensor
LOAD	EC	Electric Load Signal
LPSV	AT	Line Pressure Solenoid Valve
MAFS	EC	Mass Air Flow Sensor
MAIN	EC, AT	Main Power Supply and Ground Circuit
METER	EL	Speedometer, Tachometer, Temp. and Fuel Gauges

Code	Section	Wiring Diagram Name
MIL/DL	EC	MIL and Data Link Connectors
NATS	EL	Nissan Anti-theft System
NONDTC	AT	Non-detectable Items
O2H1B1	EC	Heated Oxygen Sensor 1 Heater Bank 1
O2H1B2	EC	Heated Oxygen Sensor 1 Heater Bank 2
O2S1B1	EC	Heated Oxygen Sensor 1 Bank 1
O2S1B2	EC	Heated Oxygen Sensor 1 Bank 2
OVRCSV	AT	Overrun Clutch Solenoid Valve
PGC/V	EC	EVAP Canister Purge Control Solenoid Valve
PNP/SW	EC	Park/Neutral Position Switch
POWER	EL	Power Supply Routing
PST/SW	EC	Power Steering Oil Pressure Switch
R/FOG	EL	Rear Fog Lamp
ROOM/L	EL	Interior Room Lamp
SSV/A	AT	Shift Solenoid Valve A
SSV/B	AT	Shift Solenoid Valve B
SRS	RS	Supplemental Restraint System
S/SIG	EC	Start Signal
START	EL	Starting System
TAIL/L	EL	Parking, License and Tail Lamps
TCV	AT	Torque Converter Clutch Solenoid Valve
TPS	EC	Throttle Position Sensor
VSS	EC	Vehicle Speed Sensor
VSSA/T	AT	Vehicle Speed Sensor A/T (Revolution Sensor)
VSSMTR	AT	Vehicle Speed Sensor Meter
WARN	EL	Warning Lamps