

ENGINE CONTROL SYSTEM

GI
MA
EM
LC
EC
FE
CL
MT
AT
PD
FA
RA
BR
ST
RS
BT
HA
EL
IDX

SECTION EC

MODIFICATION NOTICE:

Gasoline engine

- Wiring diagram of KA24DE engine has been changed.

Diesel engine

- Wiring diagram of ZD30DDT engine has been changed.
- Wiring diagram of YD25DDTi engine has been changed.

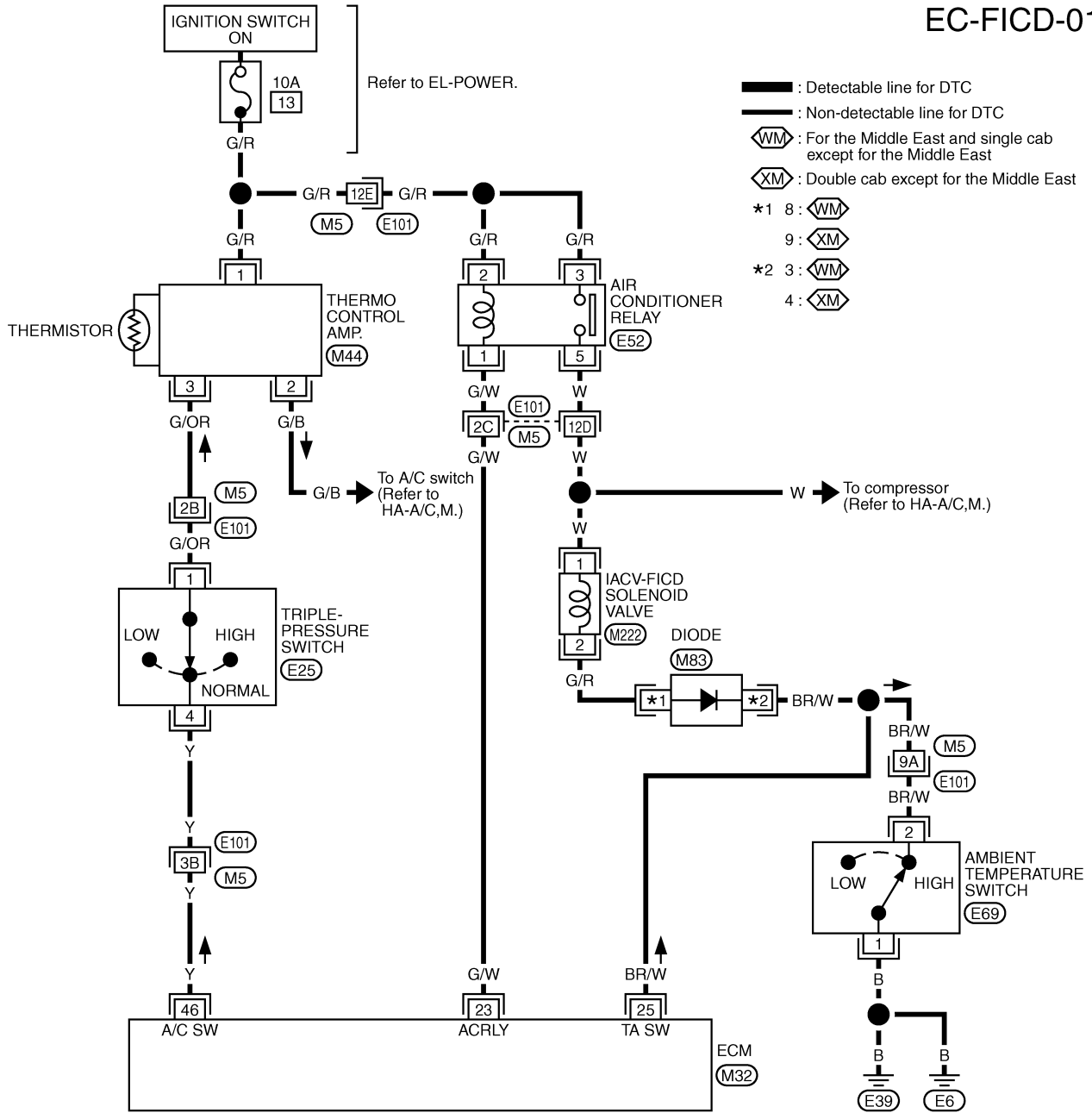
CONTENTS

<input type="checkbox"/> KA24DE <input type="checkbox"/>	<input type="checkbox"/> YD25DDTi <input type="checkbox"/>	AT
TROUBLE DIAGNOSIS FOR NON-DETECTABLE	GLOW CONTROL SYSTEM	3
ITEMS2	Wiring Diagram.....	3
IACV-FICD Solenoid Valve.....2	<input type="checkbox"/> ZD30DDT <input type="checkbox"/>	PD
	GLOW CONTROL SYSTEM	4
	Wiring Diagram.....	4

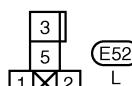
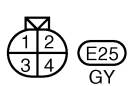
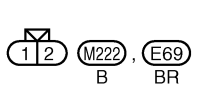
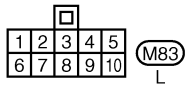
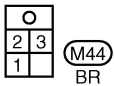
IACV-FICD Solenoid Valve

FOR LHD MODELS

EC-FICD-01



1	2	3	4	9	10	11	12	13	14	15	23	24	25	26	27	28	29	30	31	32	33	34	35
5	6	7	8	16	17	18	19	20	21	22	36	37	38	39	40	41	42	43	44	45	46	47	48

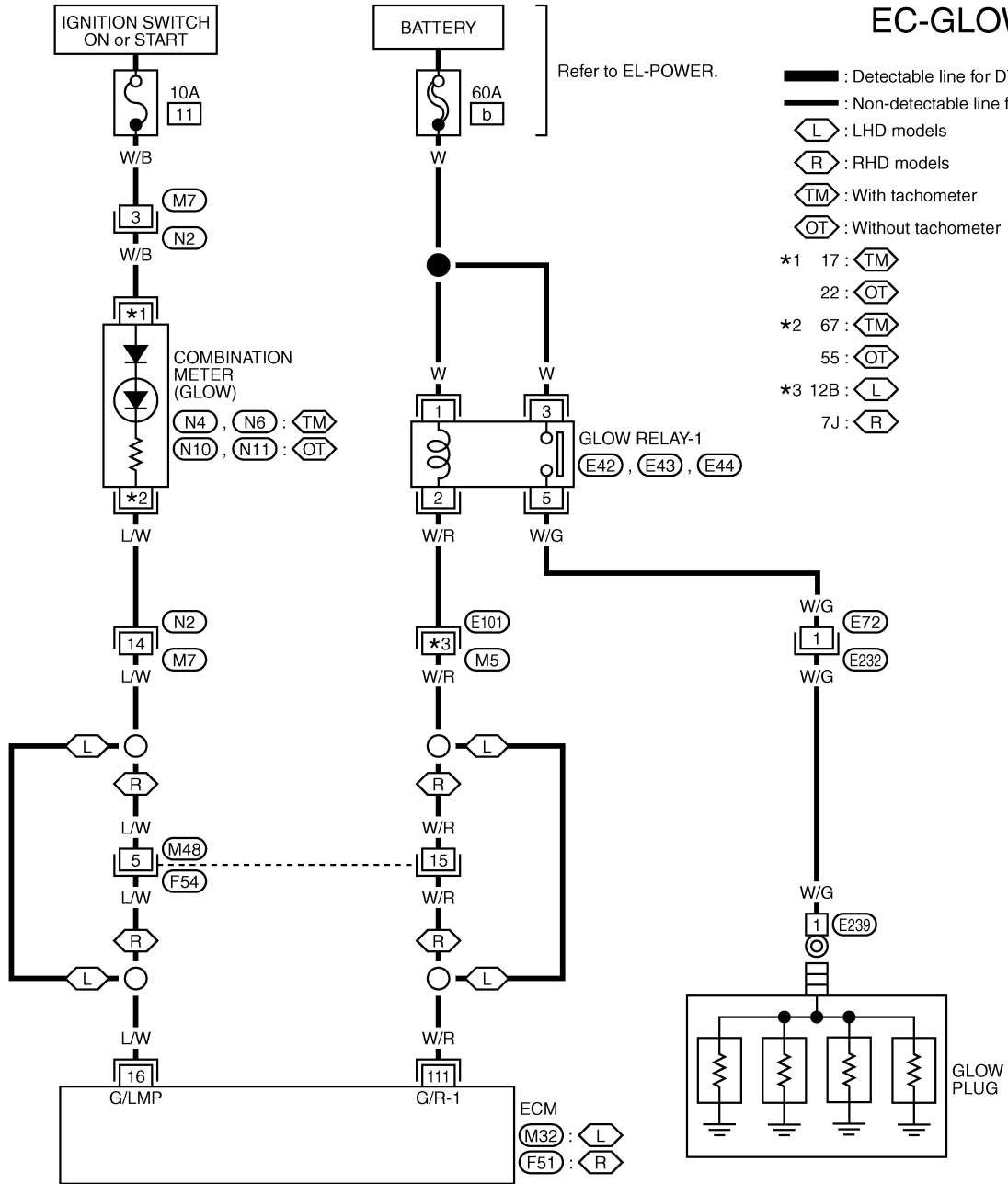


Refer to last page (Foldout page.)

(M5), (E101)

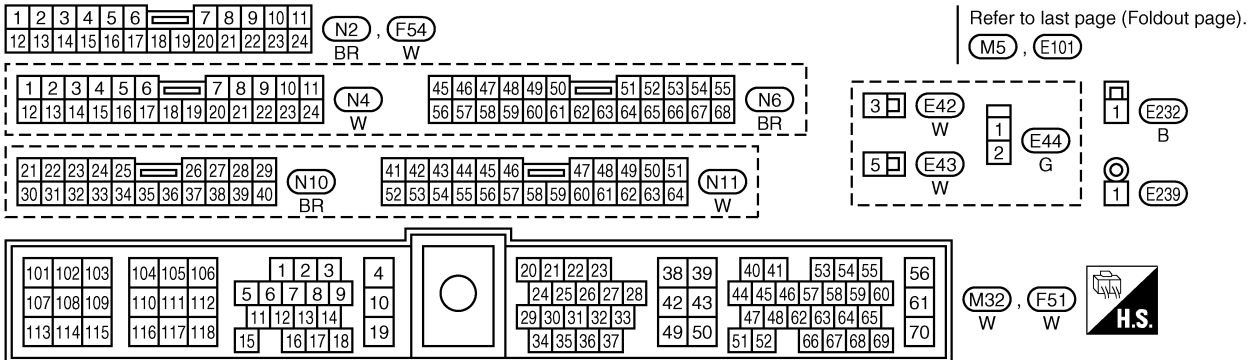
Wiring Diagram

EC-GLOW-01



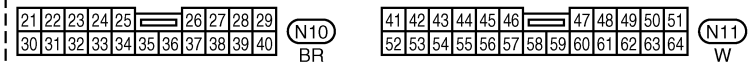
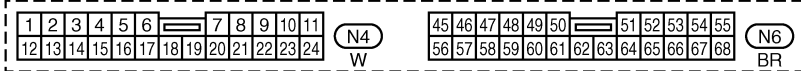
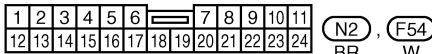
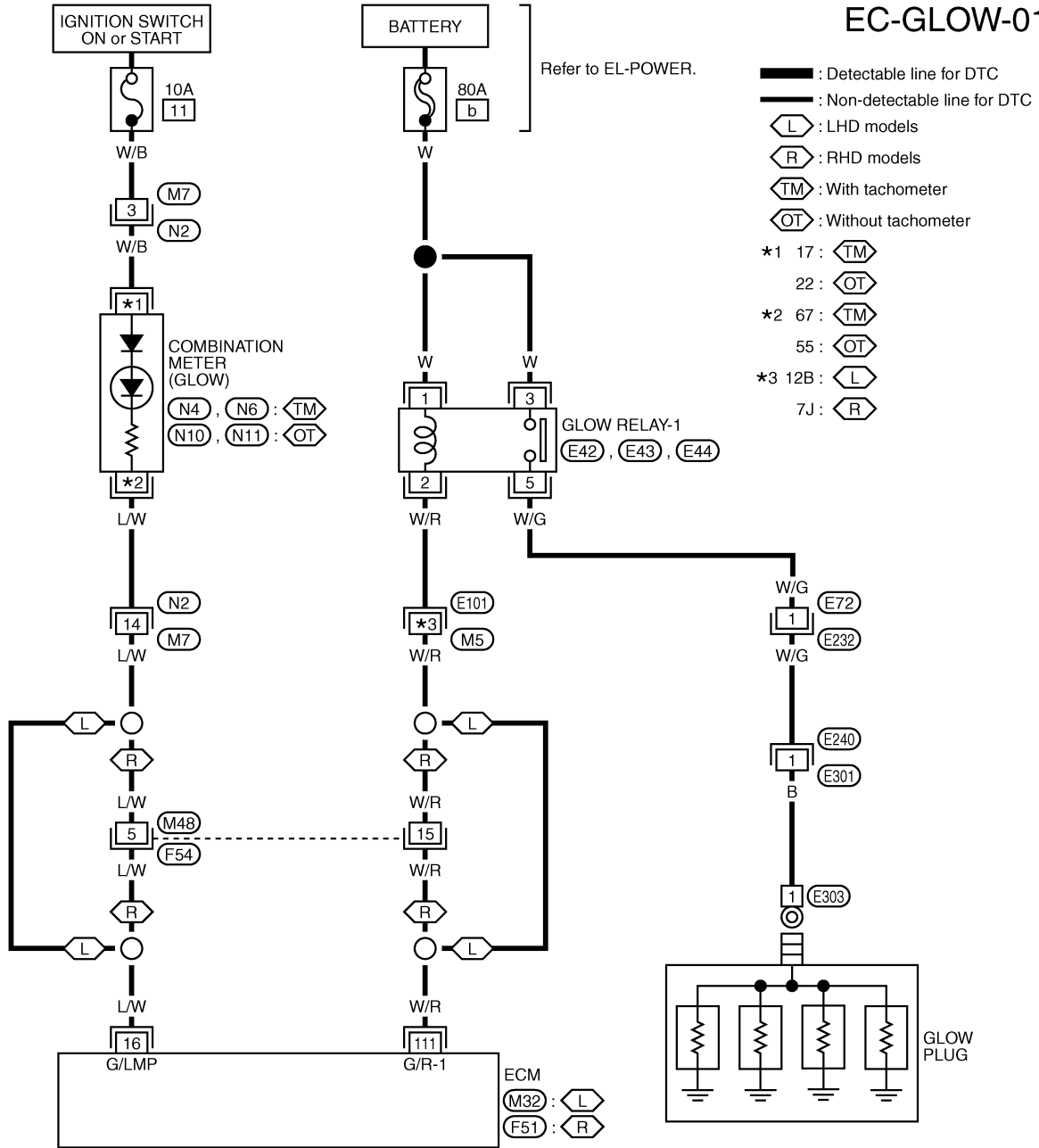
- Refer to EL-POWER.
- : Detectable line for DTC
 - - - : Non-detectable line for DTC
 - L : LHD models
 - R : RHD models
 - TM : With tachometer
 - OT : Without tachometer
- *1 17 : TM
 22 : OT
- *2 67 : TM
 55 : OT
- *3 12B : L
 7J : R

GI
 MA
 EM
 LC
EC
 FE
 CL
 MT
 AT
 TF
 PD
 FA
 RA
 BR
 ST
 RS
 BT
 HA
 EL
 IDX



Wiring Diagram

EC-GLOW-01



Refer to last page (Foldout page).
(M5), (E101)

