

ELECTRICAL SYSTEM

GI

MA

EM

LC

EC

FE

CL

MT

AT

TF

PD

FA

RA

BR

ST

RS

BT

HA

EL

IDX

SECTION EL

MODIFICATION NOTICE:

- Wiring diagrams have been changed.
- Harness layouts have been changed.

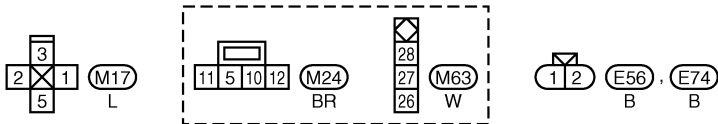
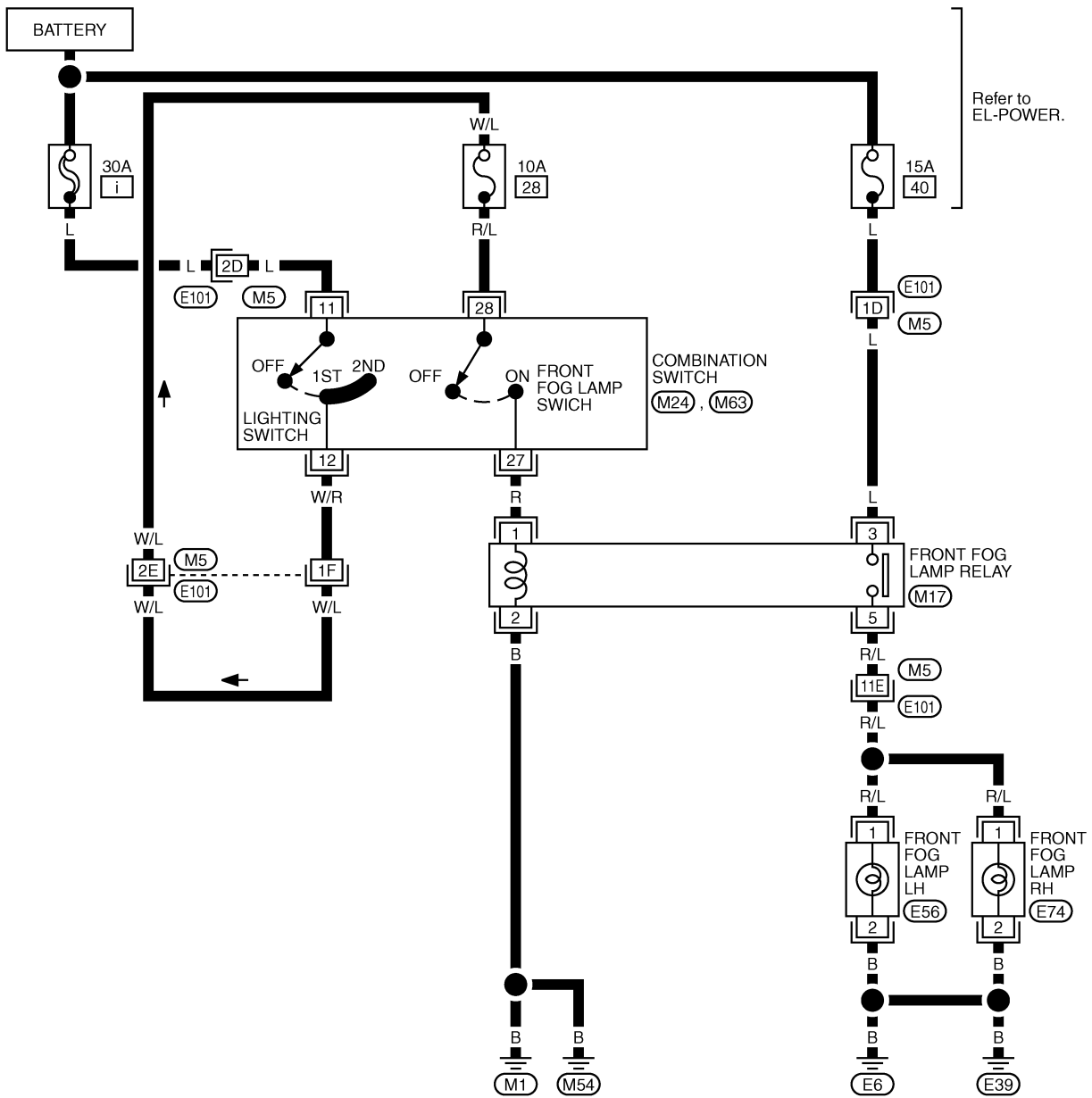
CONTENTS

FRONT FOG LAMP2	REAR WINDOW DEFOGGER AND MIRROR
Wiring Diagram - F/FOG -/With YD Engine for	DEFOGGER21
Chile.....2	Wiring Diagram - DEF -.....21
ILLUMINATION3	AUDIO22
Wiring Diagram - ILL -/LHD Models.....3	Wiring Diagram - AUDIO -/With YD Engine
WARNING LAMPS5	Models for Chile.....22
Schematic/With Tachometer.....5	AUDIO ANTENNA23
Wiring Diagram - WARN -/Gasoline Engine with	Power Antenna/Wiring Diagram - P/ANT -.....23
Tachometer.....6	NATS (Nissan Anti-Theft System)24
Schematic/Without Tachometer.....10	Wiring Diagram - NATS -/LHD Models.....24
Wiring Diagram - WARN -/Gasoline Engine	HARNESS LAYOUT26
without Tachometer.....11	Main Harness.....26
FRONT WIPER AND WASHER15	Engine Room Harness.....32
Wiring Diagram - WIPER -/Without	Room Lamp Harness/LHD Models.....36
Intermittent.....15	Room Lamp Harness/RHD Models.....37
Wiring Diagram - WIPER -/With Intermittent for	SUPER MULTIPLE JUNCTION (SMJ)Foldout
Floor-shift.....16	Terminal Arrangement.....Foldout
Wiring Diagram - WIPER -/With Intermittent for	CONTROL UNITSFoldout
RHD Column-shift Models.....19	Terminal Arrangement.....Foldout

FRONT FOG LAMP

Wiring Diagram — F/FOG —/With YD Engine for Chile

EL-F/FOG-01



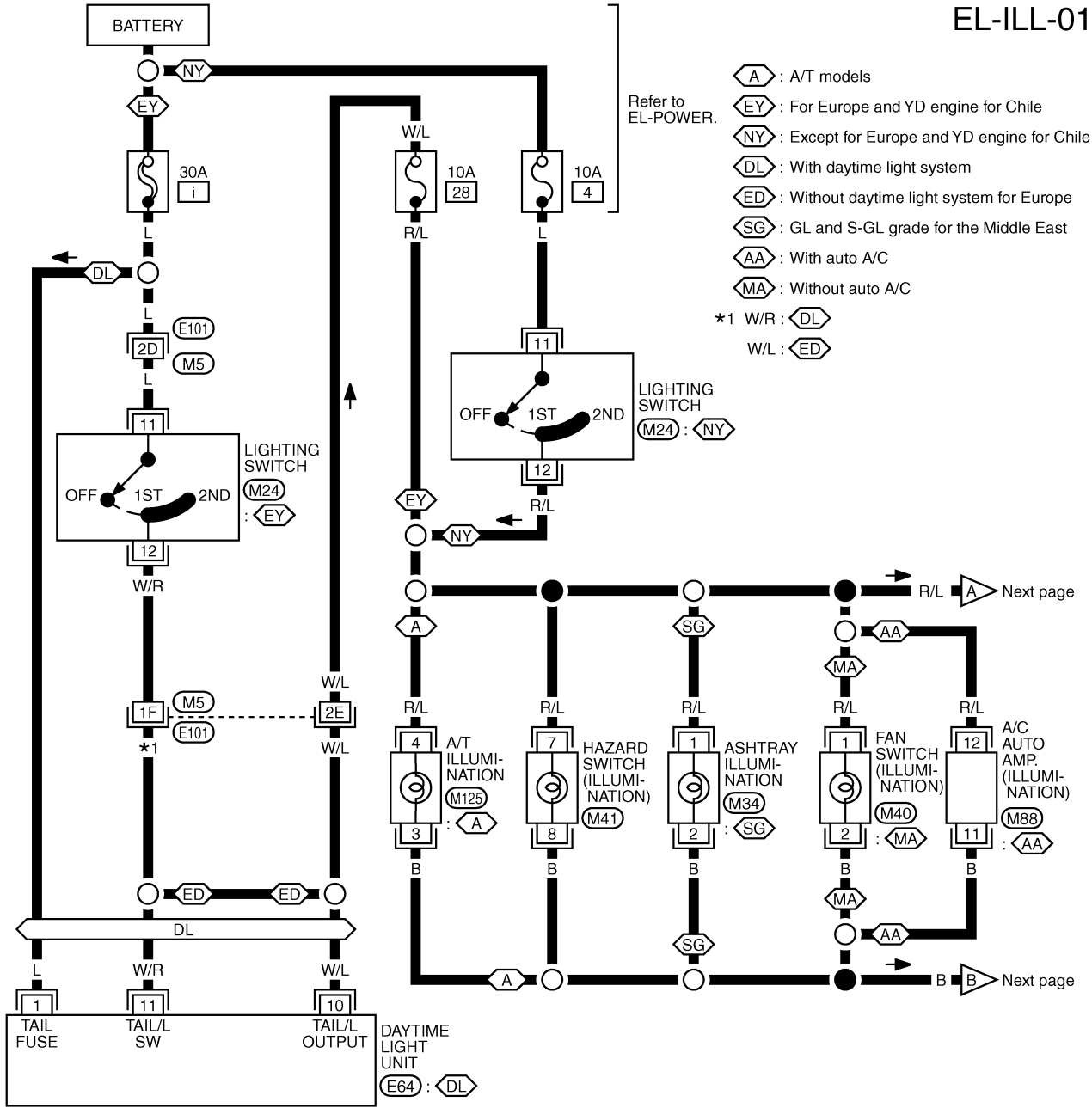
Refer to last page (Foldout page).

(M5), (E101)

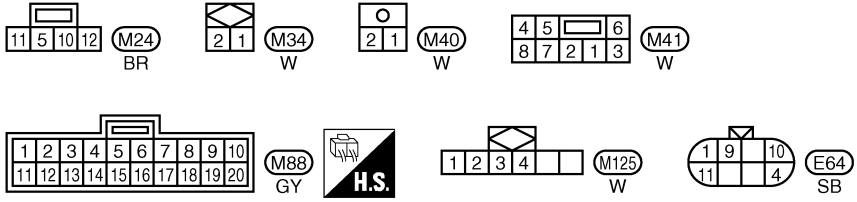
ILLUMINATION

Wiring Diagram — ILL —/LHD Models

EL-ILL-01



GI
MA
EM
LC
EC
FE
CL
MT
AT
TF
PD
FA
RA
BR
ST
RS
BT
HA
EL
IDX

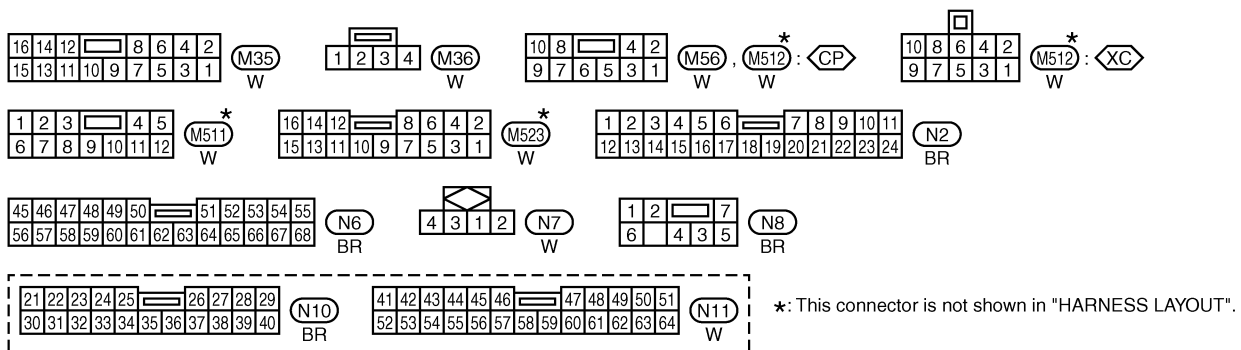
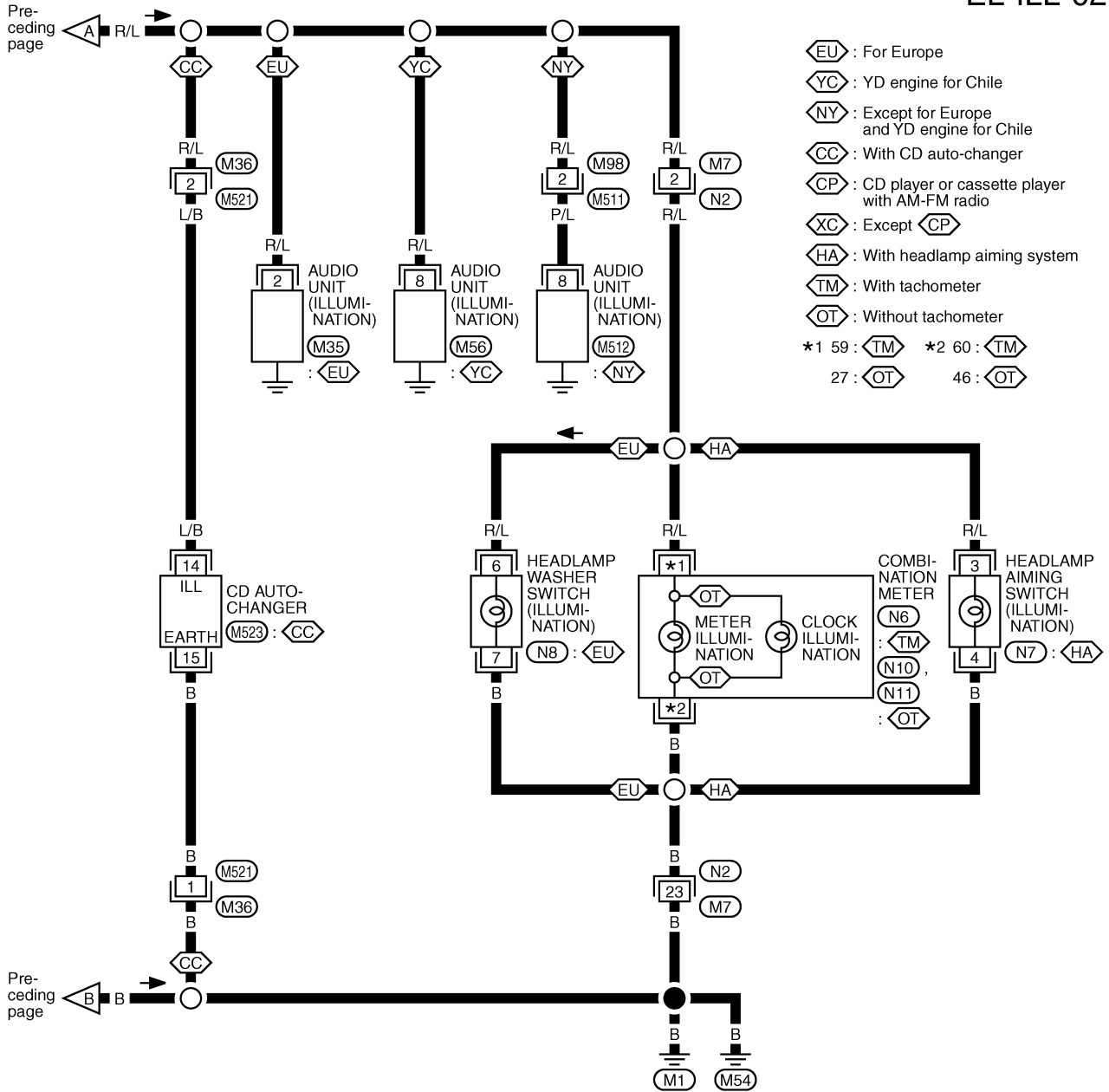


Refer to last page (Foldout page).
(M5), (E101)

ILLUMINATION

Wiring Diagram — ILL —/LHD Models (Cont'd)

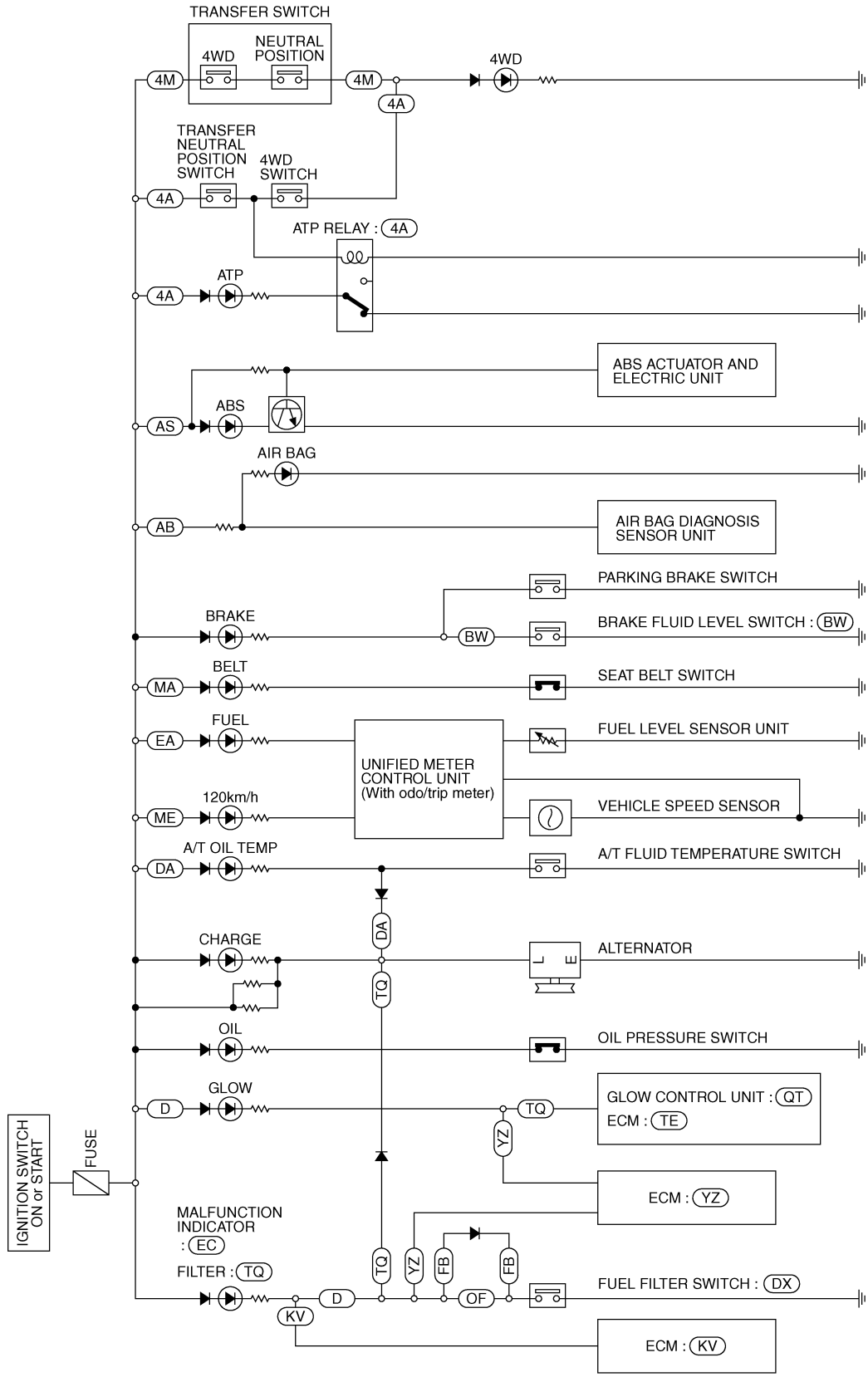
EL-ILL-02



GEL047B

WARNING LAMPS

Schematic/With Tachometer



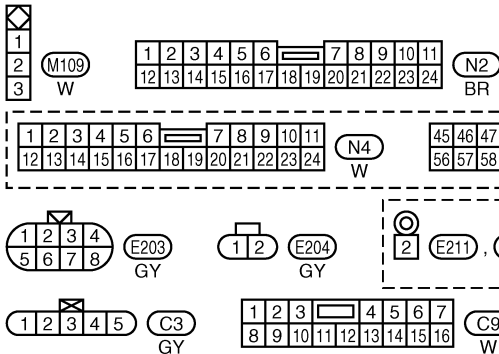
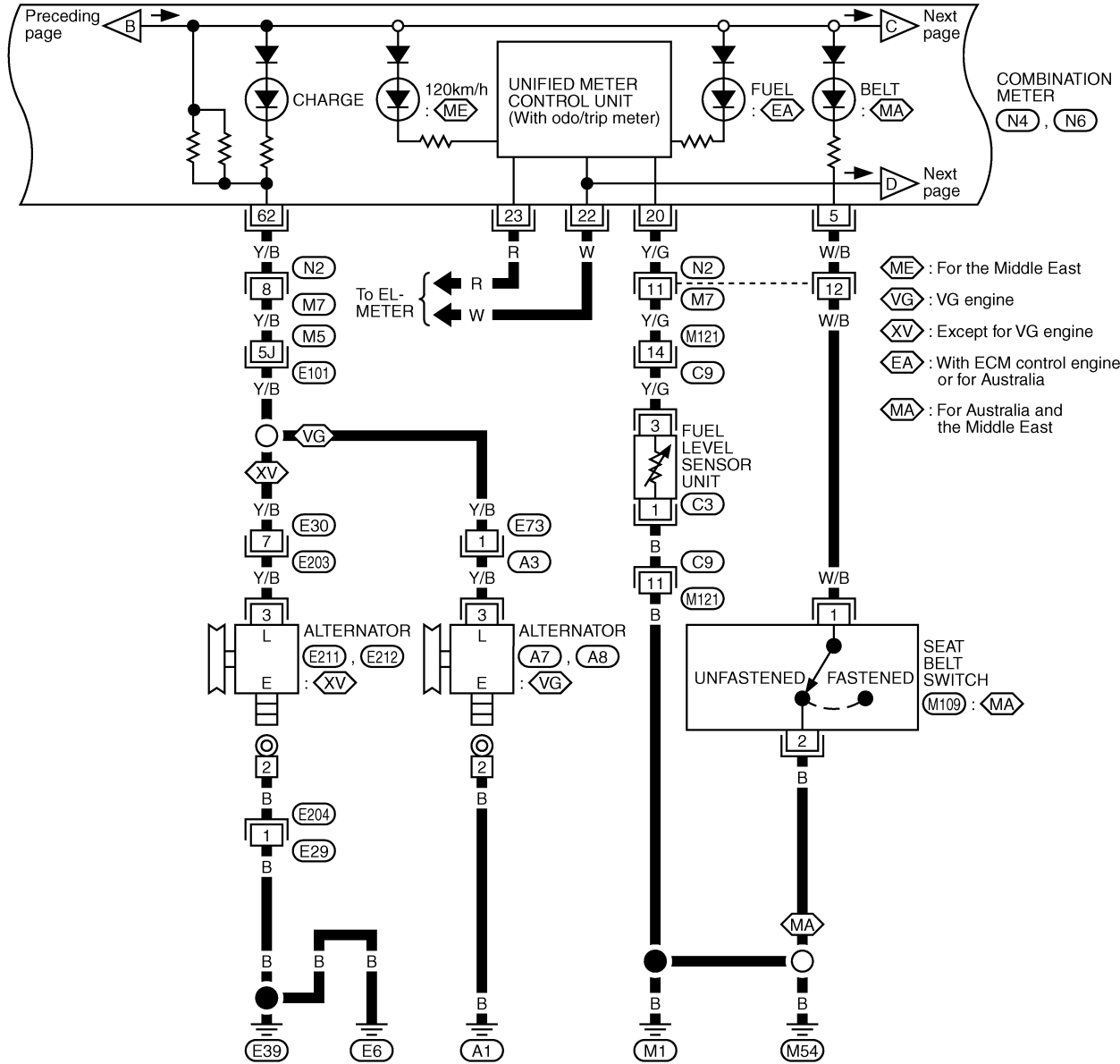
- (AS) : With ABS
- (AB) : With air bag
- (BW) : With brake fluid level warning system
- (DA) : Diesel engine with A/T
- (4M) : 4-wheel drive models with M/T
- (4A) : 4-wheel drive models with A/T
- (YZ) : YD and ZD engines
- (QT) : TD engine without EGR and QD engine
- (TE) : TD engine with EGR
- (EA) : With ECM control engine (Except TD27) or for Australia
- (ME) : For the Middle East
- (MA) : For Australia and the Middle East
- (EC) : With ECM control engine (Except TD27)
- (D) : Diesel engine
- (KV) : KA and VG engines
- (TQ) : TD and QD engines
- (FB) : With fuel filter warning buzzer
- (OF) : Without fuel filter warning buzzer
- (DX) : Diesel engine except for Europe

GI
MA
EM
LC
EC
FE
CL
MT
AT
TF
PD
FA
RA
BR
ST
RS
BT
HA
EL
IDX

WARNING LAMPS

Wiring Diagram — WARN —/Gasoline Engine with Tachometer (Cont'd)

EL-WARN-02



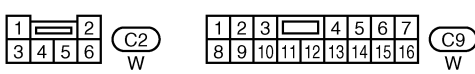
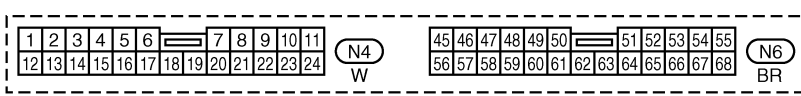
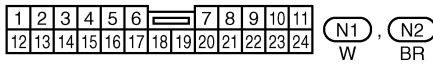
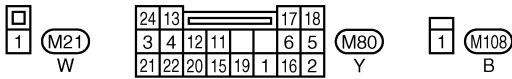
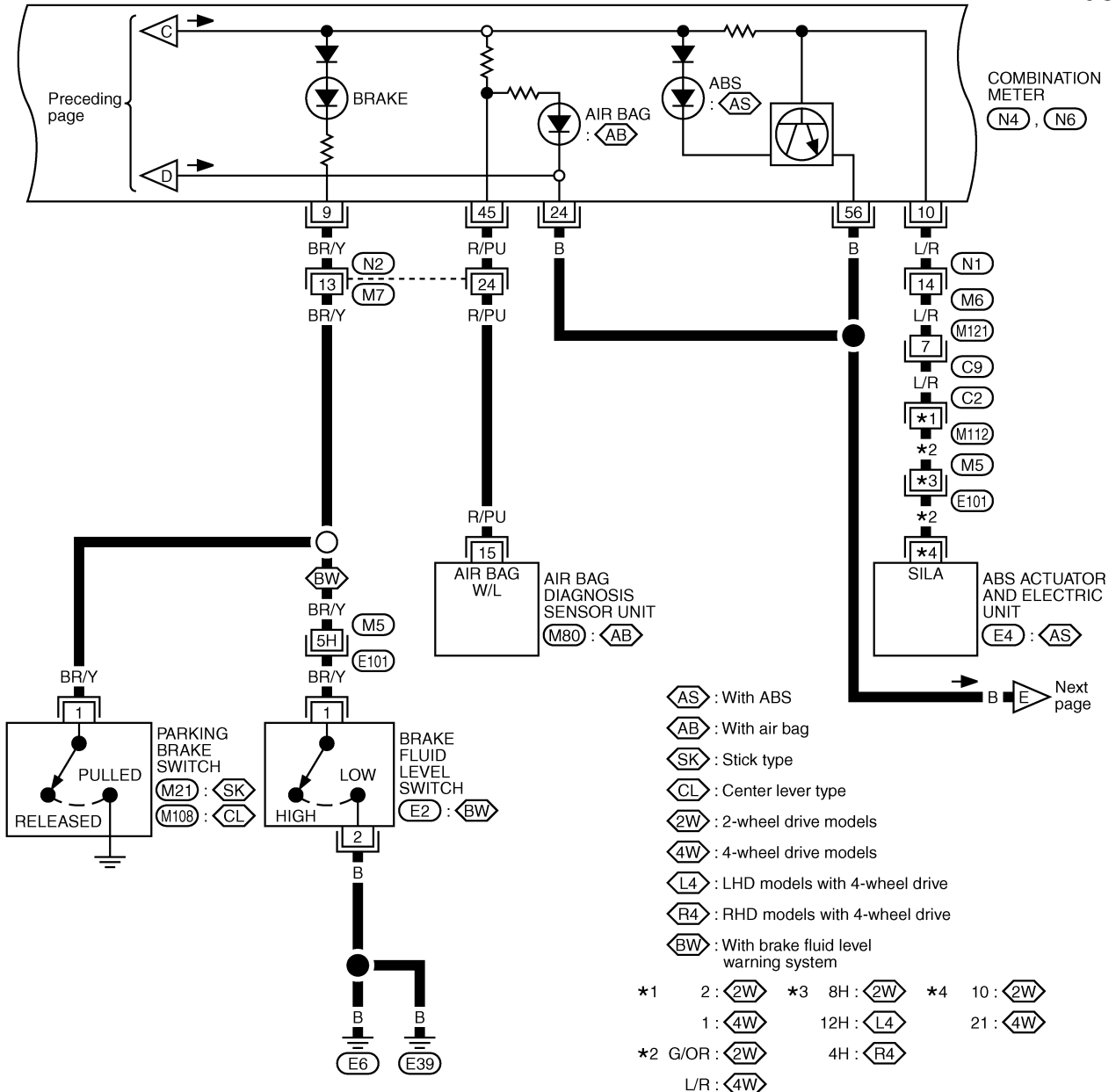
Refer to last page (Foldout page).
(M5), (E101)

GI
MA
EM
LC
EC
FE
CL
MT
AT
TF
PD
FA
RA
BR
ST
RS
BT
HA
EL
IDX

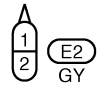
WARNING LAMPS

Wiring Diagram — WARN —/Gasoline Engine with Tachometer (Cont'd)

EL-WARN-03



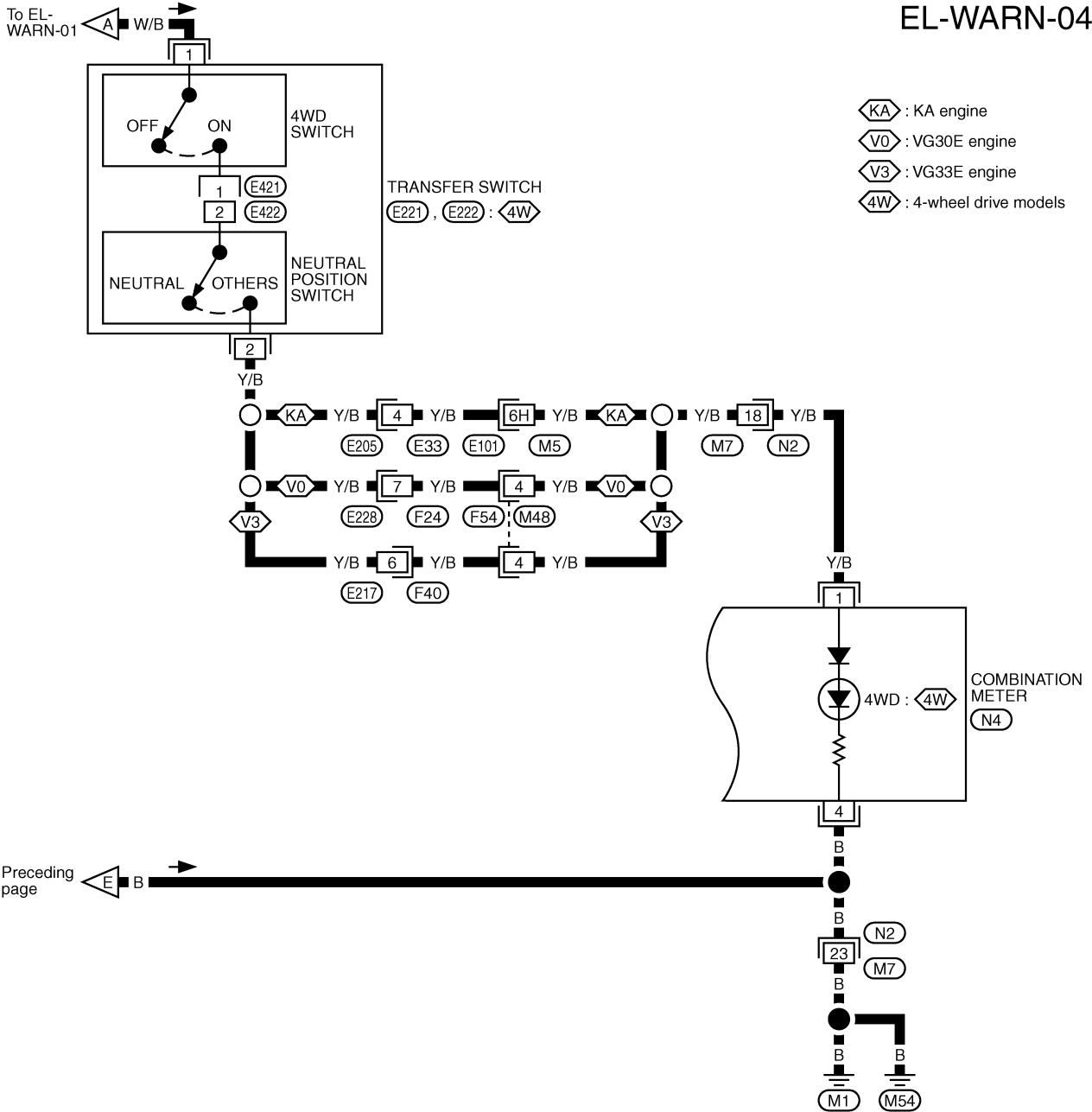
Refer to last page (Foldout page).
 M5, E101
 E4



WARNING LAMPS

Wiring Diagram — WARN —/Gasoline Engine with Tachometer (Cont'd)

EL-WARN-04

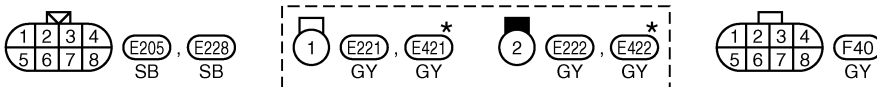
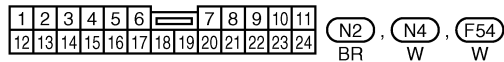


GI
MA
EM
LC
EC
FE
CL
MT
AT
TF
PD
FA
RA
BR
ST

RS
BT
HA

EL

IDX

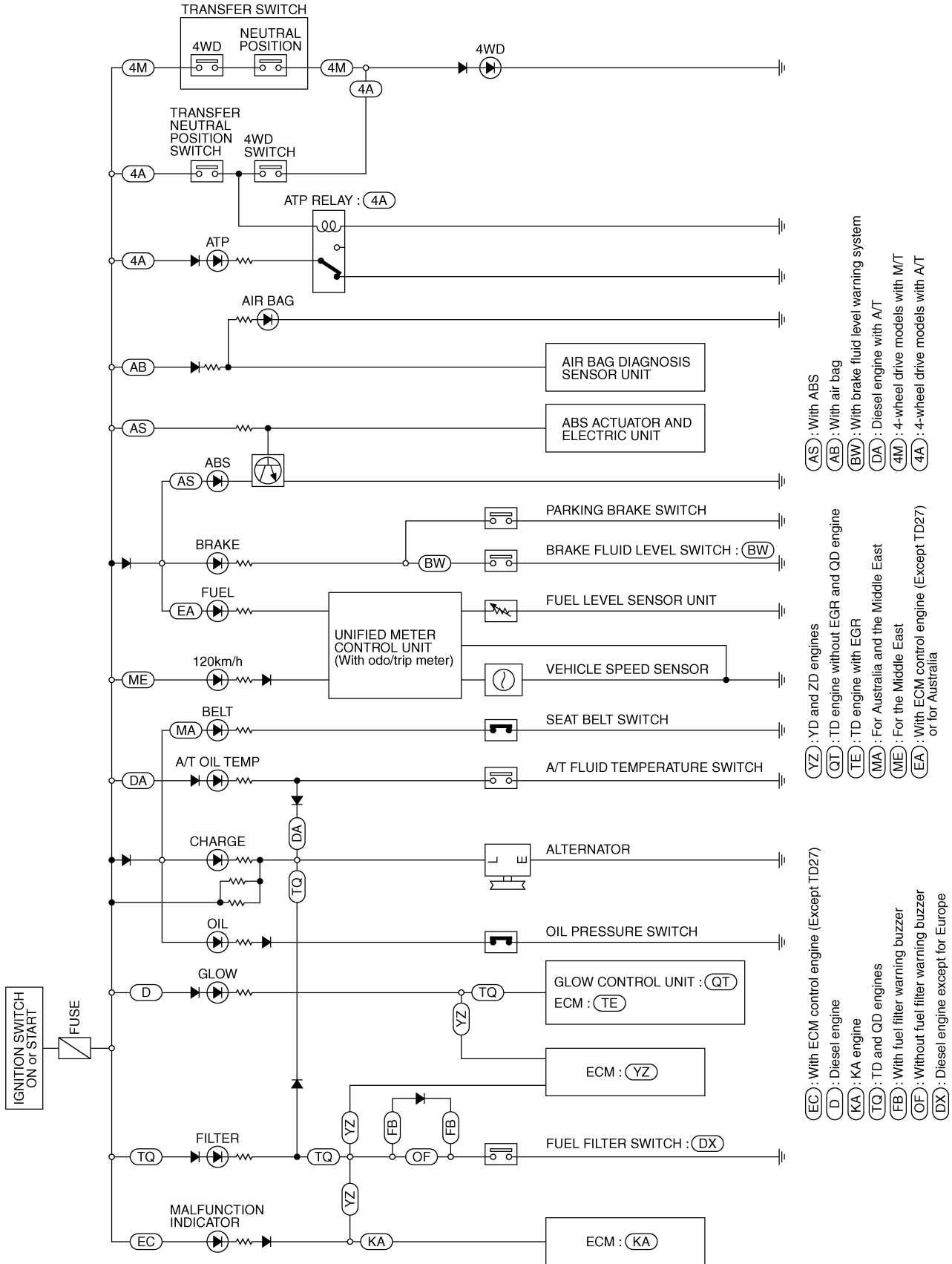


*: This connector is not shown in "HARNESS LAYOUT".

Refer to last page (Foldout page).
M5, E101

WARNING LAMPS

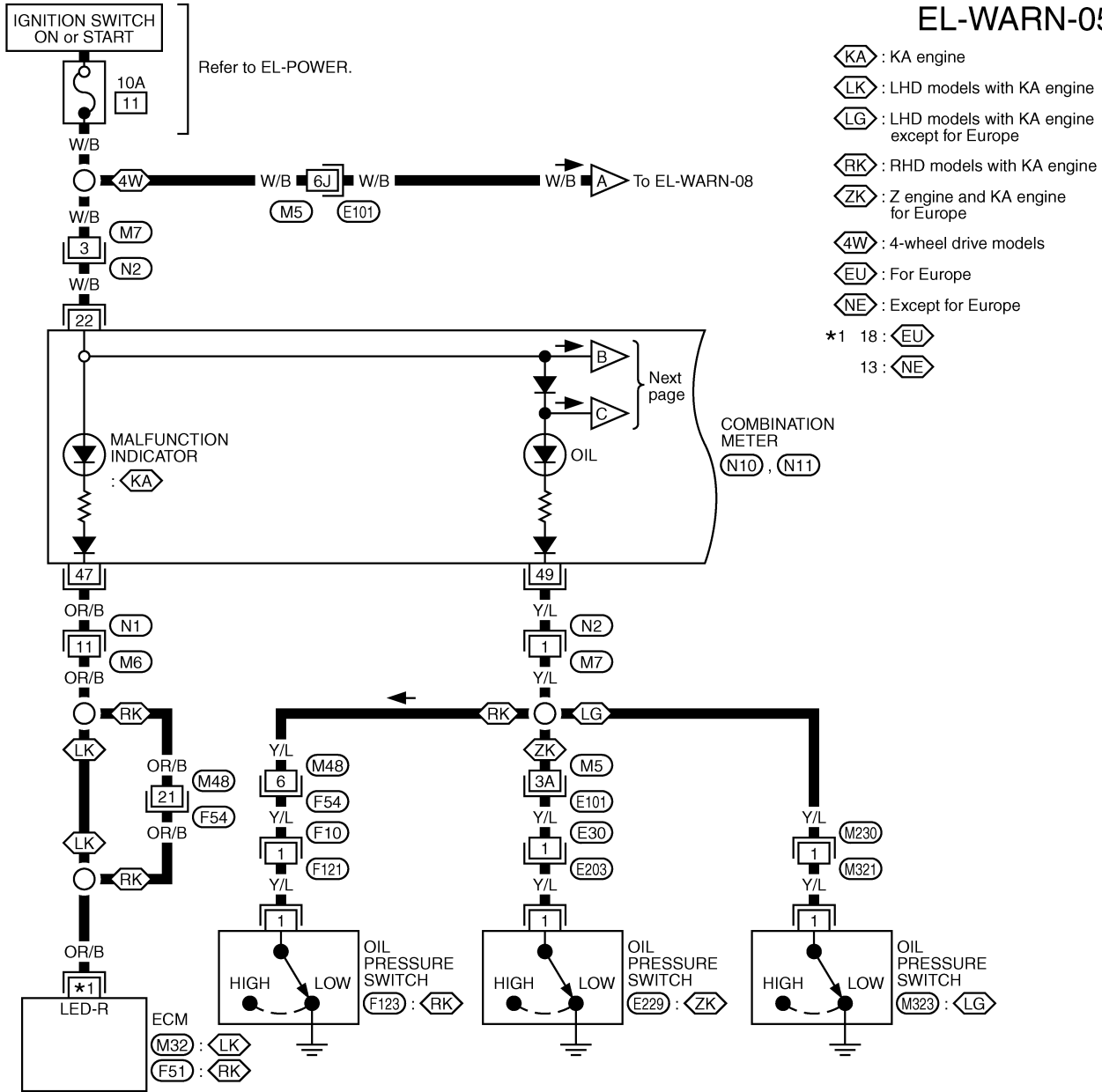
Schematic/Without Tachometer



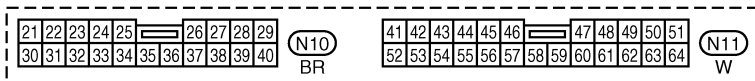
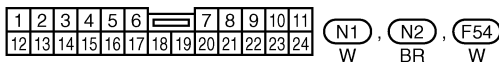
WARNING LAMPS

Wiring Diagram — WARN —/Gasoline Engine without Tachometer

EL-WARN-05



- <KA> : KA engine
- <LK> : LHD models with KA engine
- <LG> : LHD models with KA engine except for Europe
- <RK> : RHD models with KA engine
- <ZK> : Z engine and KA engine for Europe
- <4W> : 4-wheel drive models
- <EU> : For Europe
- <NE> : Except for Europe
- *1 18 : <EU>
- 13 : <NE>



Refer to last page (Foldout page).

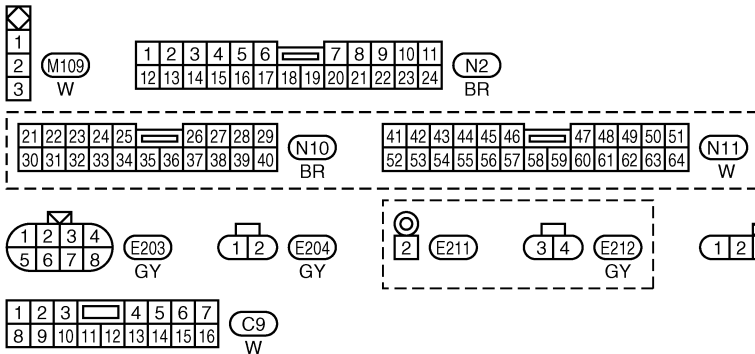
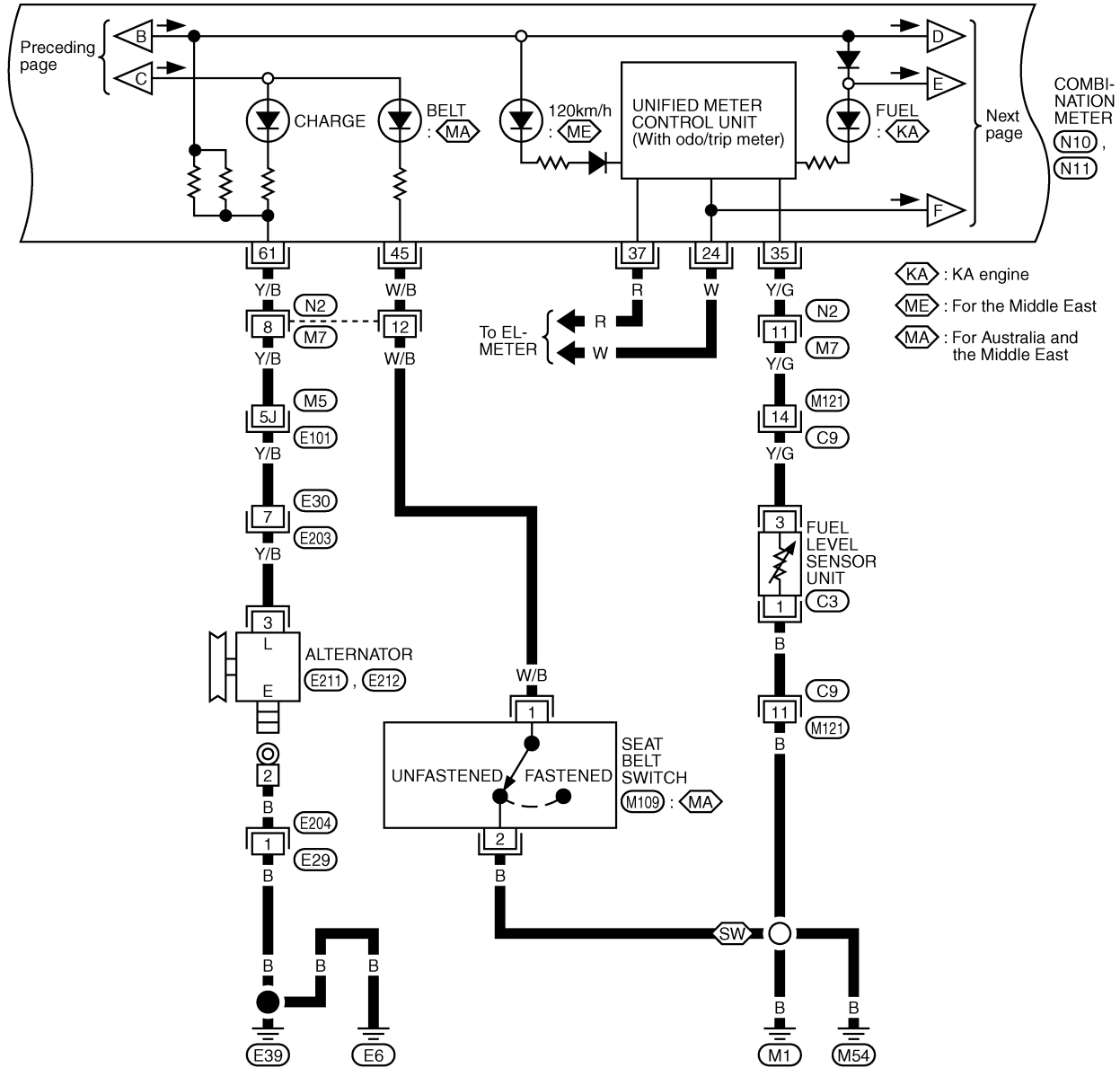
- M5, E101
- M32
- F51

GI
MA
EM
LC
EC
FE
CL
MT
AT
TF
PD
FA
RA
BR
ST
RS
BT
HA
EL
IDX

WARNING LAMPS

Wiring Diagram — WARN —/Gasoline Engine without Tachometer (Cont'd)

EL-WARN-06



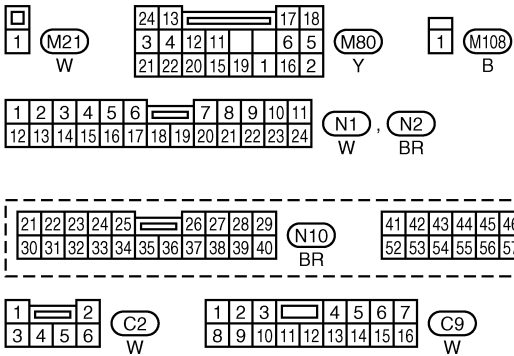
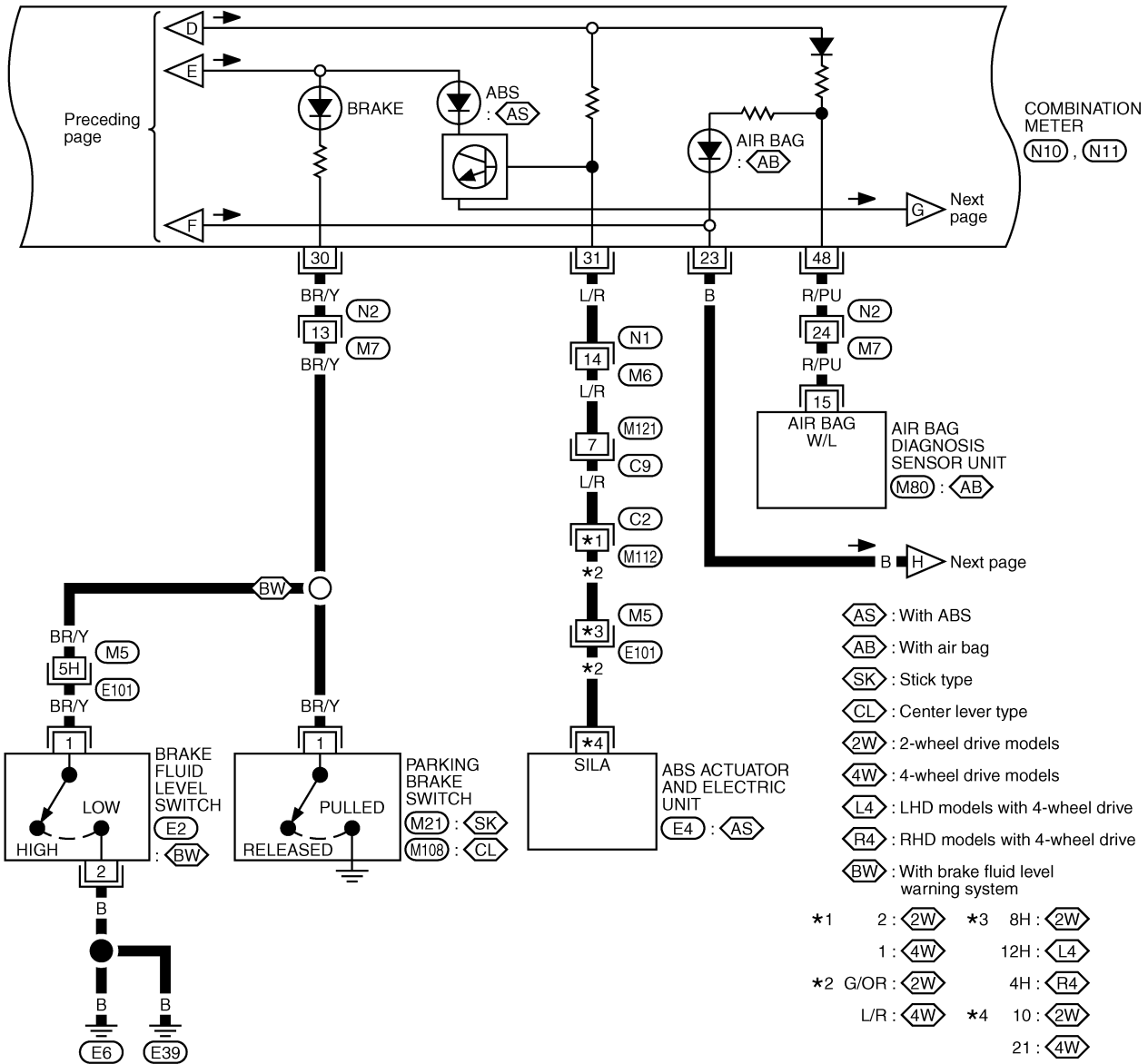
Refer to last page (Foldout page).
(M5), (E101)

WARNING LAMPS

Wiring Diagram — WARN —/Gasoline Engine without Tachometer (Cont'd)

EL-WARN-07

GI
MA
EM
LC
EC
FE
CL
MT
AT
TF
PD
FA
RA
BR
ST
RS
BT
HA
EL
IDX

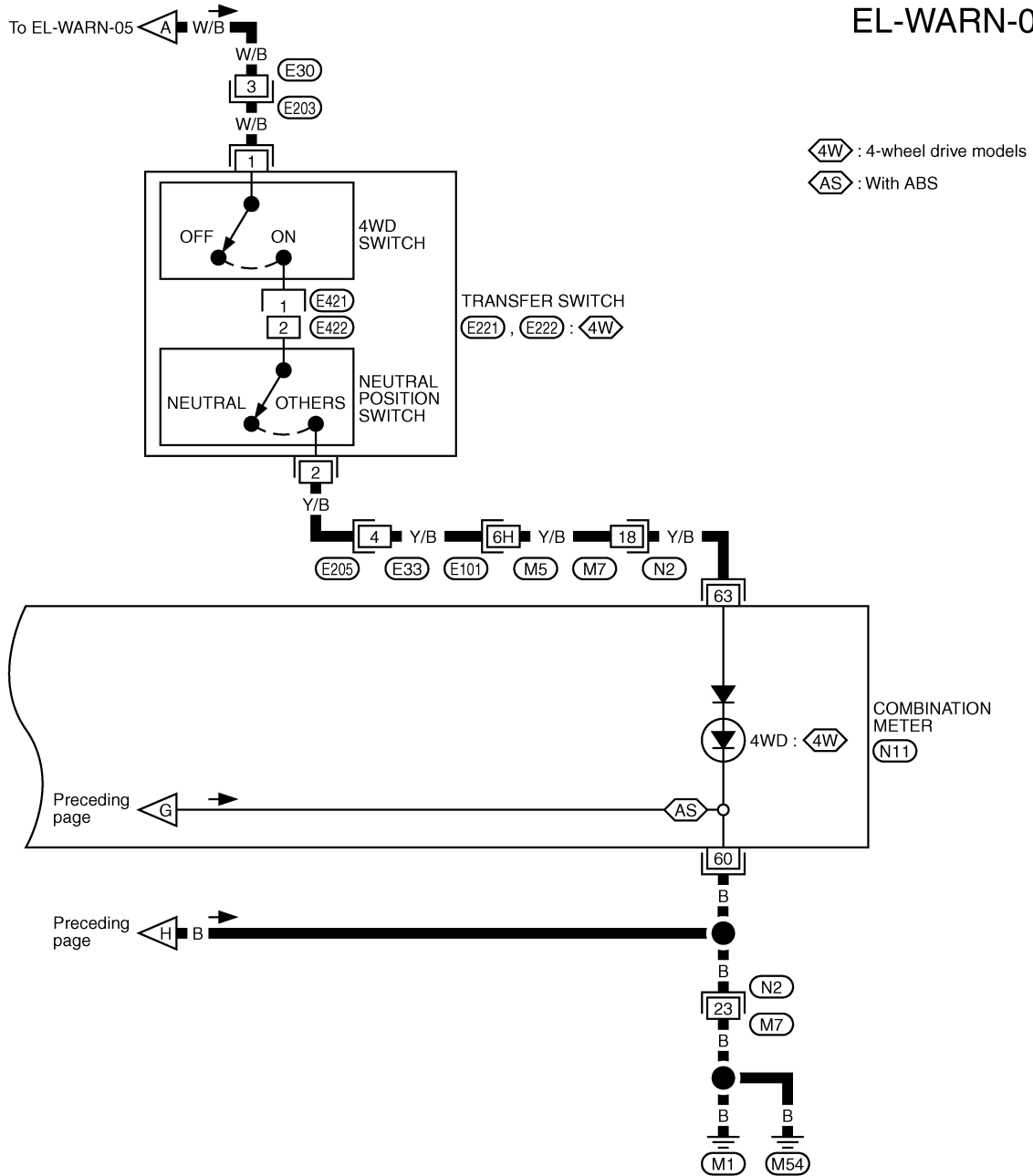


Refer to last page (Foldout page).
M5, E101
E4

WARNING LAMPS

Wiring Diagram — WARN —/Gasoline Engine without Tachometer (Cont'd)

EL-WARN-08



4W : 4-wheel drive models
AS : With ABS

Preceding page → G

Preceding page → H

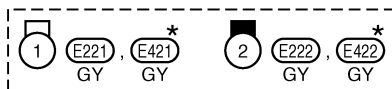
1	2	3	4	5	6	7	8	9	10	11		
12	13	14	15	16	17	18	19	20	21	22	23	24

(N2) BR

41	42	43	44	45	46	47	48	49	50	51		
52	53	54	55	56	57	58	59	60	61	62	63	64

(N11) W

Refer to last page (Foldout page).
(M5), (E101)

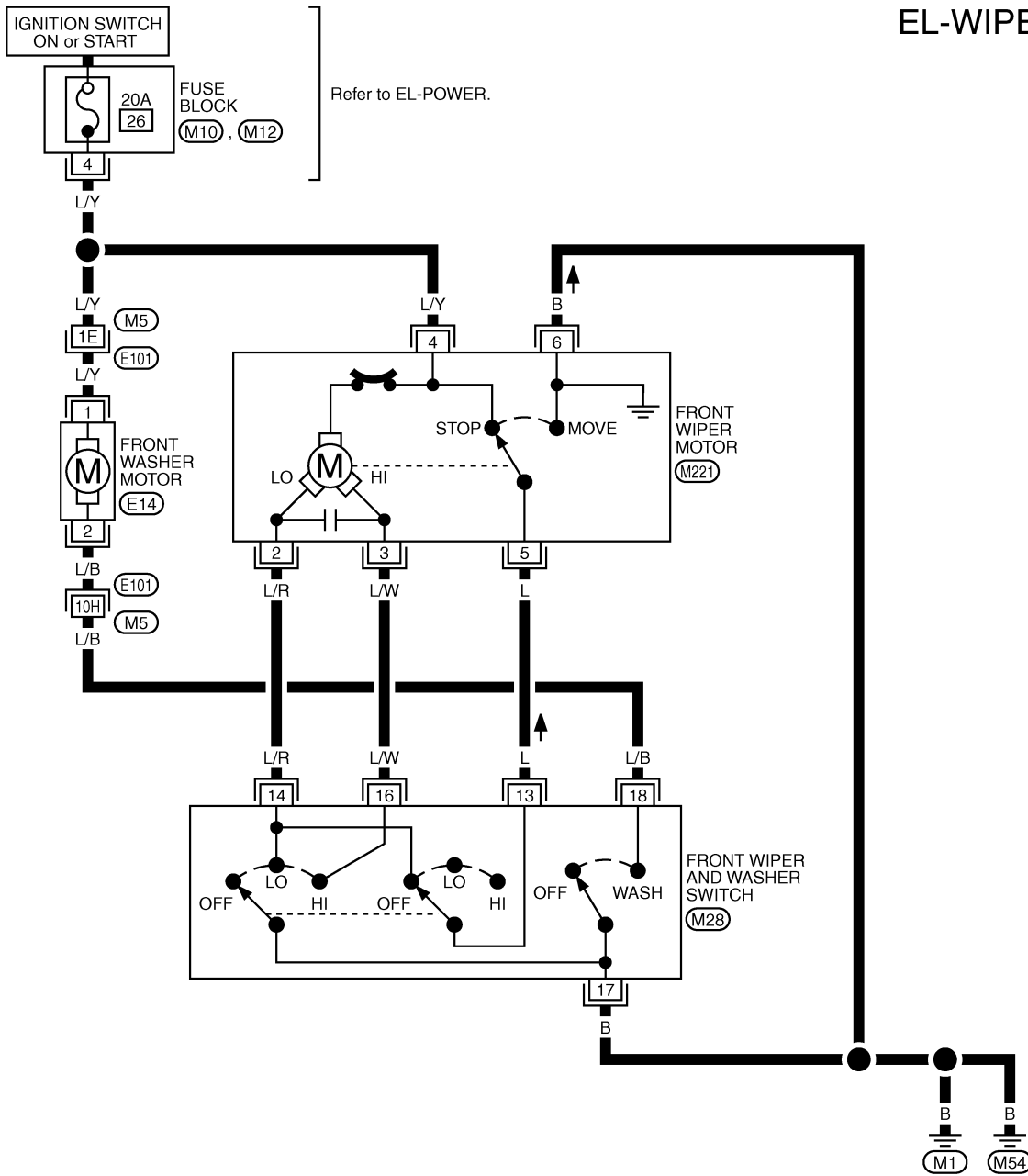


*: This connector is not shown in "HARNES LAYOUT".

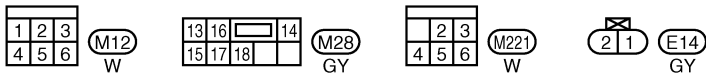
FRONT WIPER AND WASHER

Wiring Diagram — WIPER —/Without Intermittent

EL-WIPER-01



GI
MA
EM
LC
EC
FE
CL
MT
AT
TF
PD
FA
RA
BR
ST
RS
BT
HA
EL
IDX



Refer to last page (Foldout page).

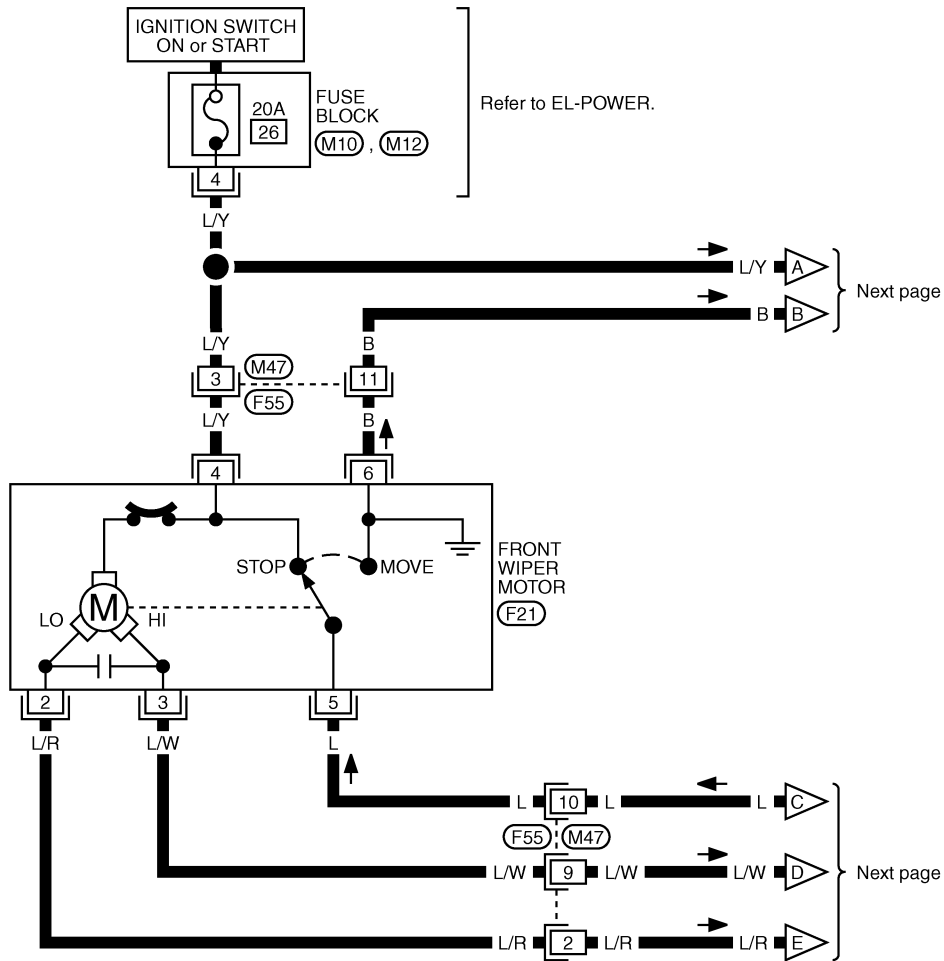
(M5, E101)
(M10)

FRONT WIPER AND WASHER

Wiring Diagram — WIPER —/With Intermittent for Floor-shift (Cont'd)

RHD MODELS EXCEPT FOR TD, QD ENGINES

EL-WIPER-03



GI
MA
EM
LC
EC
FE
CL
MT
AT
TF
PD
FA
RA
BR
ST
RS
BT
HA
EL
IDX

1	2	3
4	5	6

(M12)
W

3	2	
6	5	4

(F21)
W

1	2	3	4	5	6	7		
8	9	10	11	12	13	14	15	16

(F55)
W

Refer to last page (Foldout page).

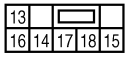
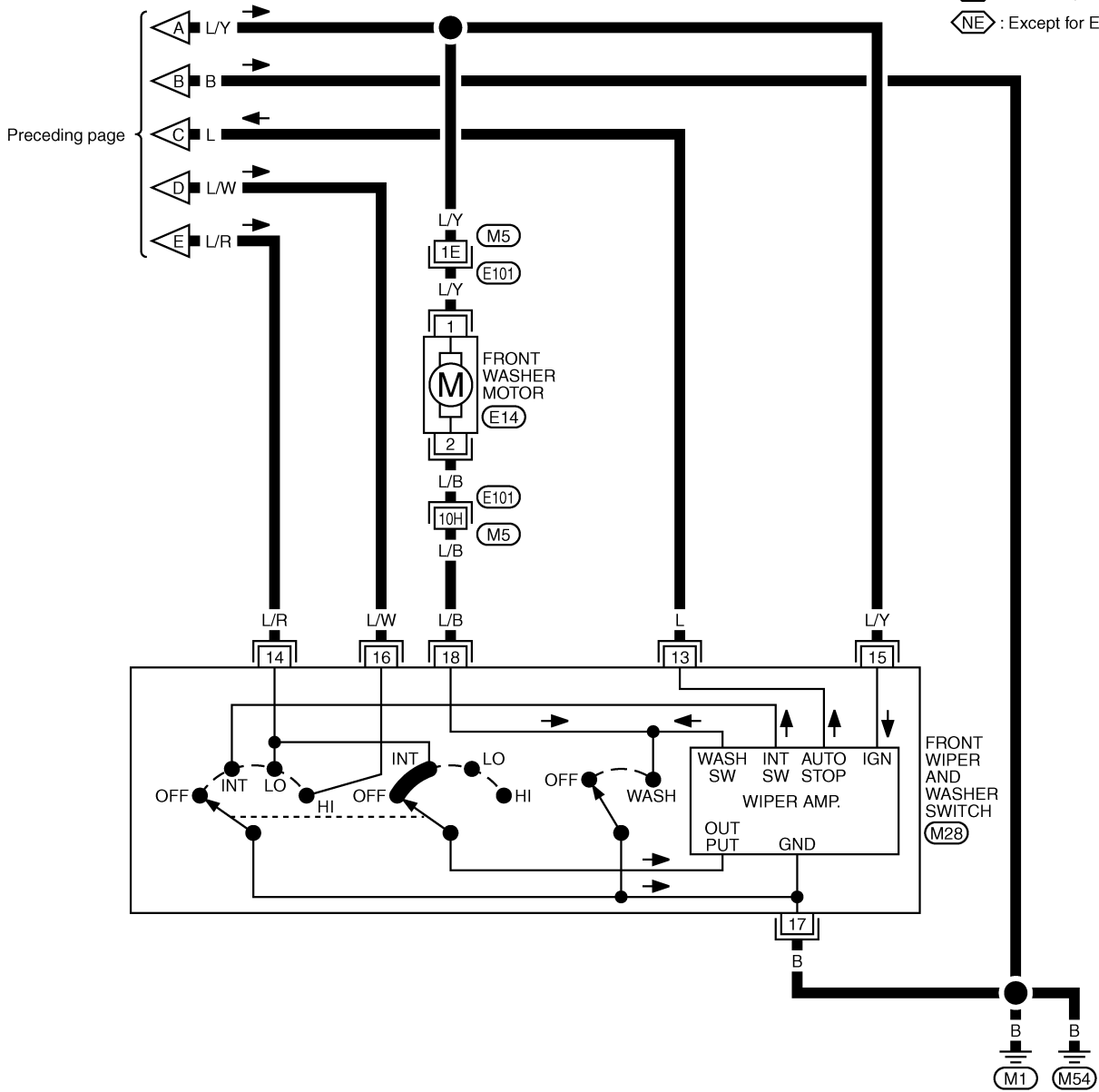
(M10)

FRONT WIPER AND WASHER

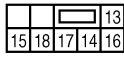
Wiring Diagram — WIPER —/With Intermittent for Floor-shift (Cont'd)

EL-WIPER-04

EU : For Europe
NE : Except for Europe



M28 : EU
GY



M28 : NE
GY



E14
GY

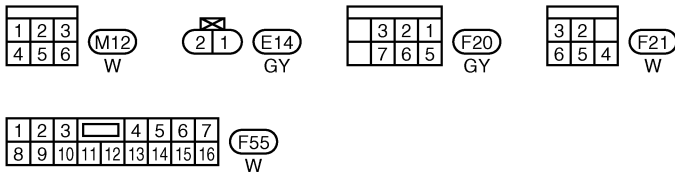
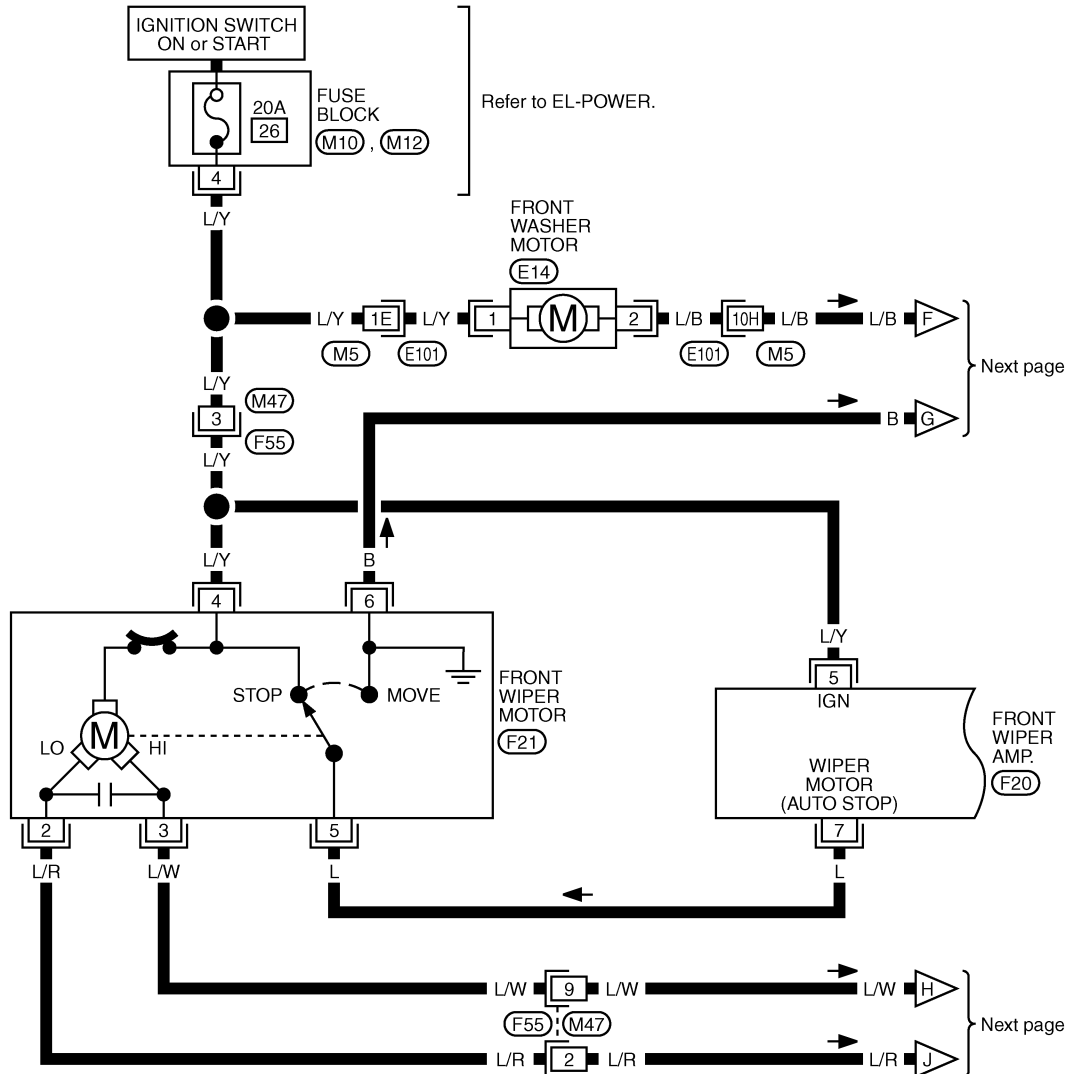
Refer to last page (Foldout page).

M5, E101

FRONT WIPER AND WASHER

Wiring Diagram — WIPER —/With Intermittent for RHD Column-shift Models

EL-WIPER-05



Refer to last page (Foldout page).

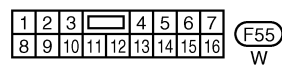
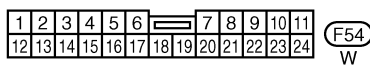
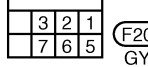
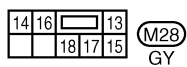
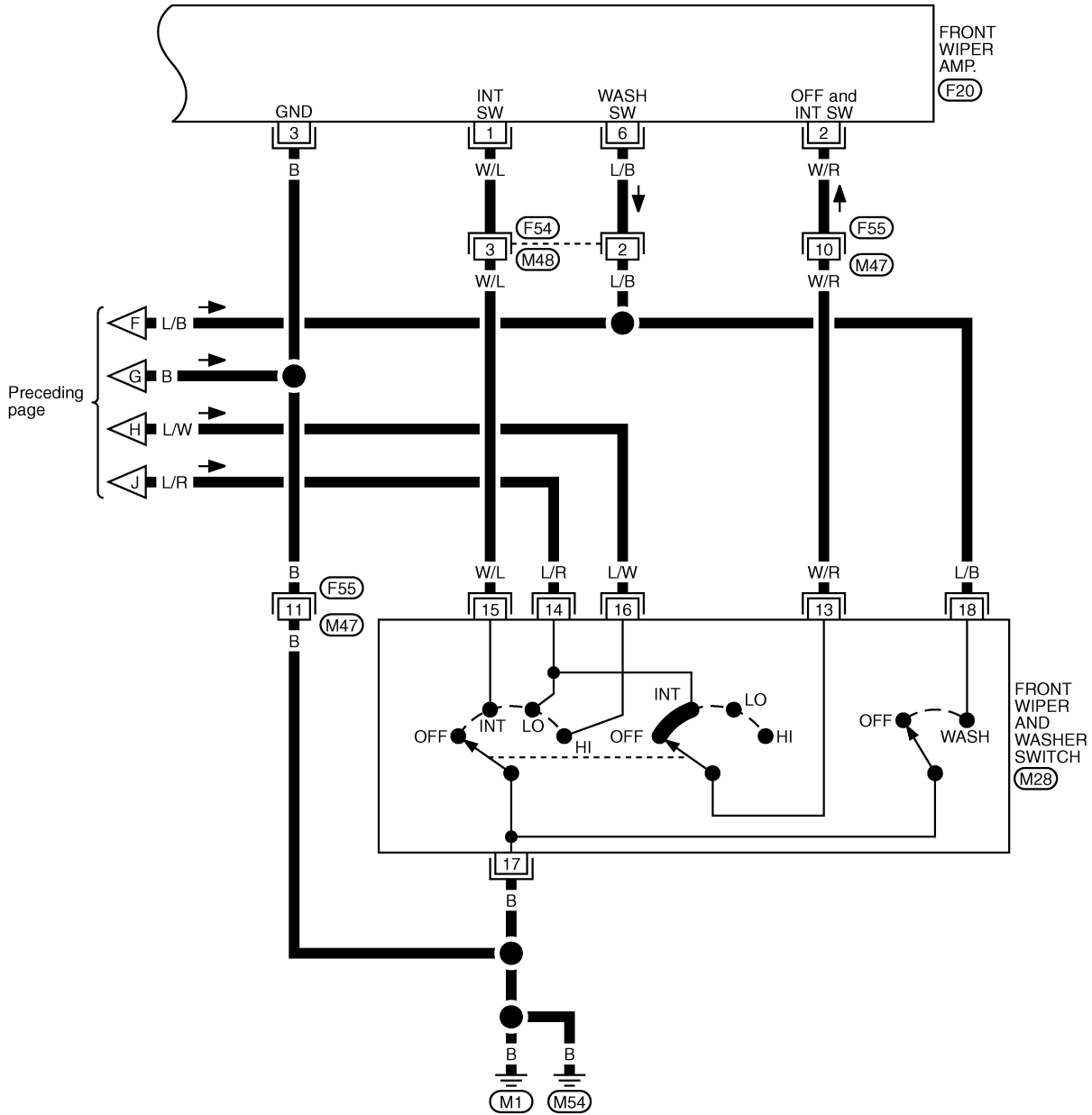
(M5), (E101)
(M10)

GI
MA
EM
LC
EC
FE
CL
MT
AT
TF
PD
FA
RA
BR
ST
RS
BT
HA
EL
IDX

FRONT WIPER AND WASHER

Wiring Diagram — WIPER —/With Intermittent for RHD Column-shift Models (Cont'd)

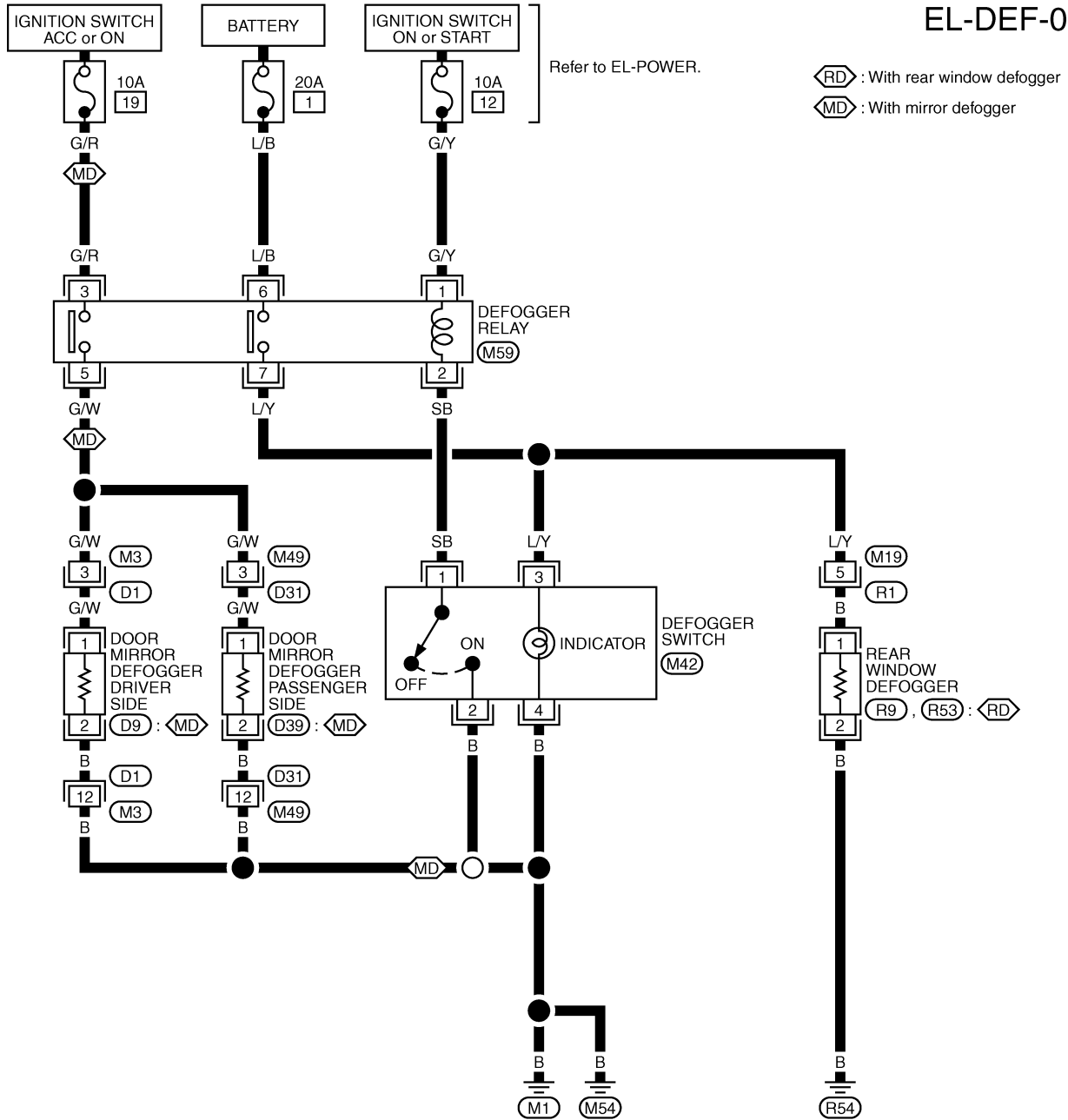
EL-WIPER-06



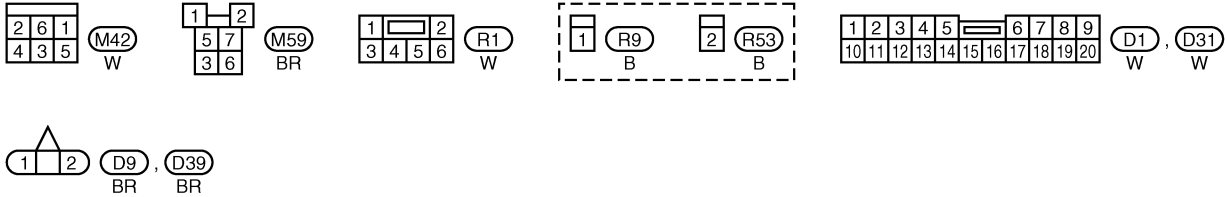
REAR WINDOW DEFOGGER AND MIRROR DEFOGGER

Wiring Diagram — DEF —

EL-DEF-01



GI
MA
EM
LC
EC
FE
CL
MT
AT
TF
PD
FA
RA
BR
ST



RS
BT
HA

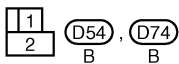
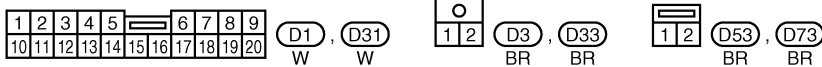
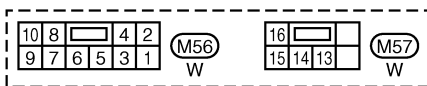
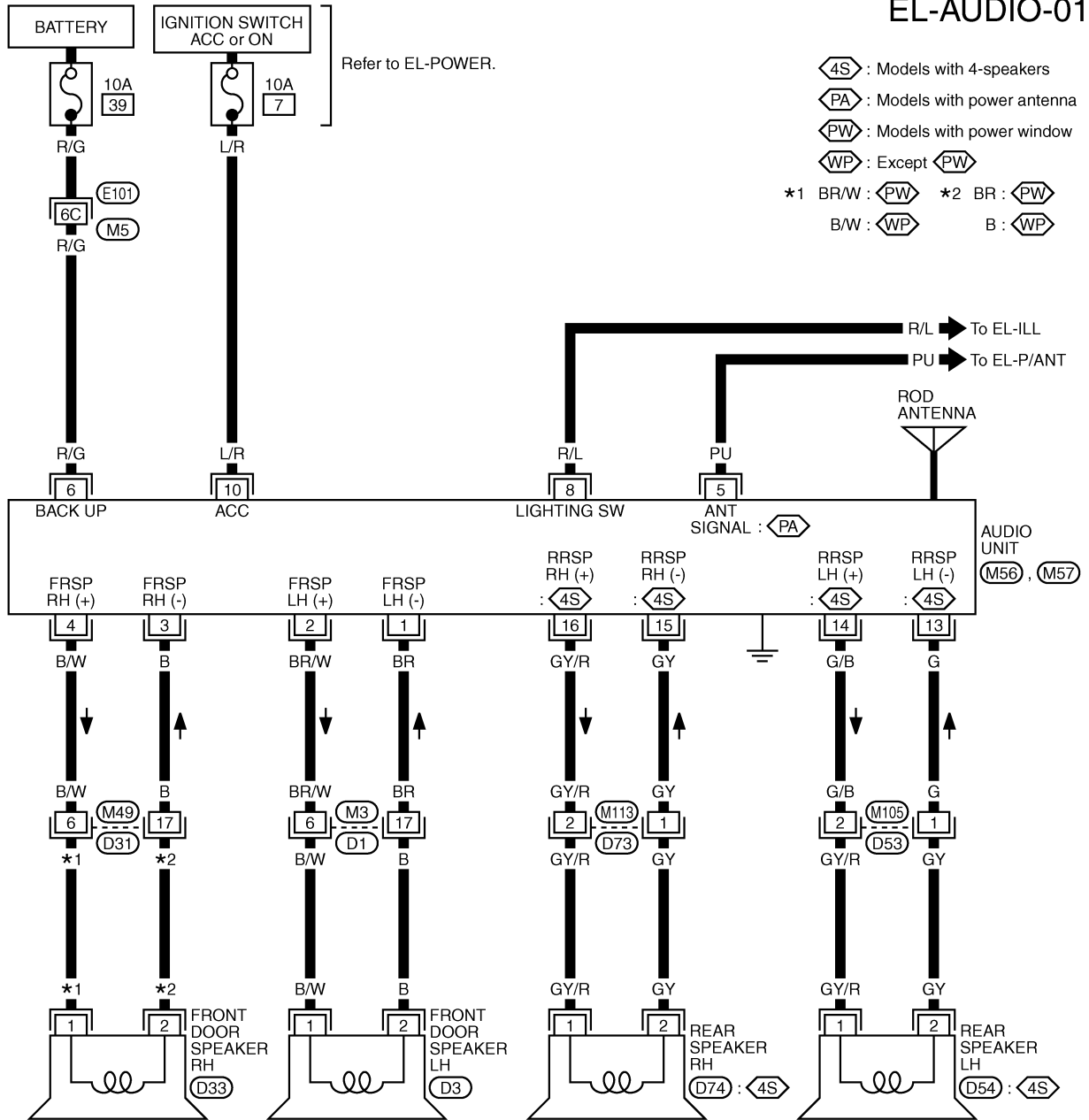
EL

IDX

AUDIO

Wiring Diagram — AUDIO —/With YD Engine Models for Chile

EL-AUDIO-01



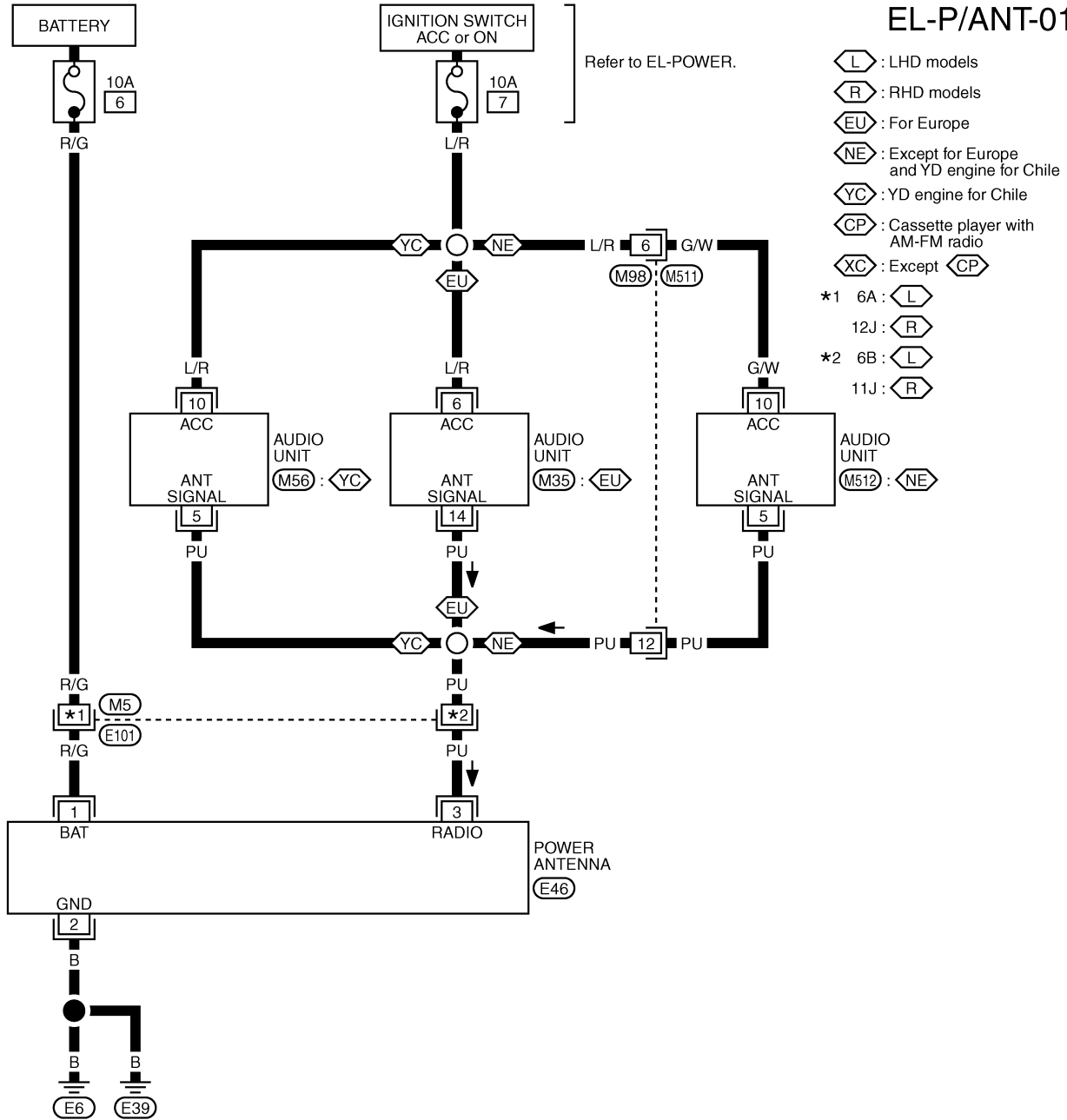
Refer to last page (Foldout page).

(M5), (E101)

AUDIO ANTENNA

Power Antenna/Wiring Diagram — P/ANT —

EL-P/ANT-01

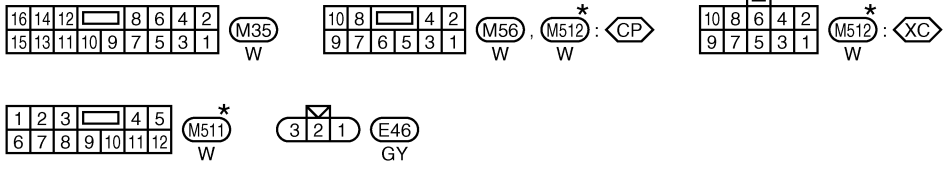


GI
MA
EM
LC
EC
FE
CL
MT
AT
TF
PD
FA
RA
BR
ST

RS
BT
HA

EL

IDX

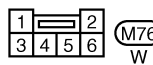
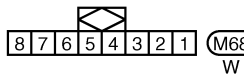
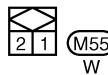
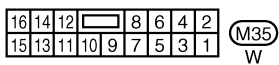
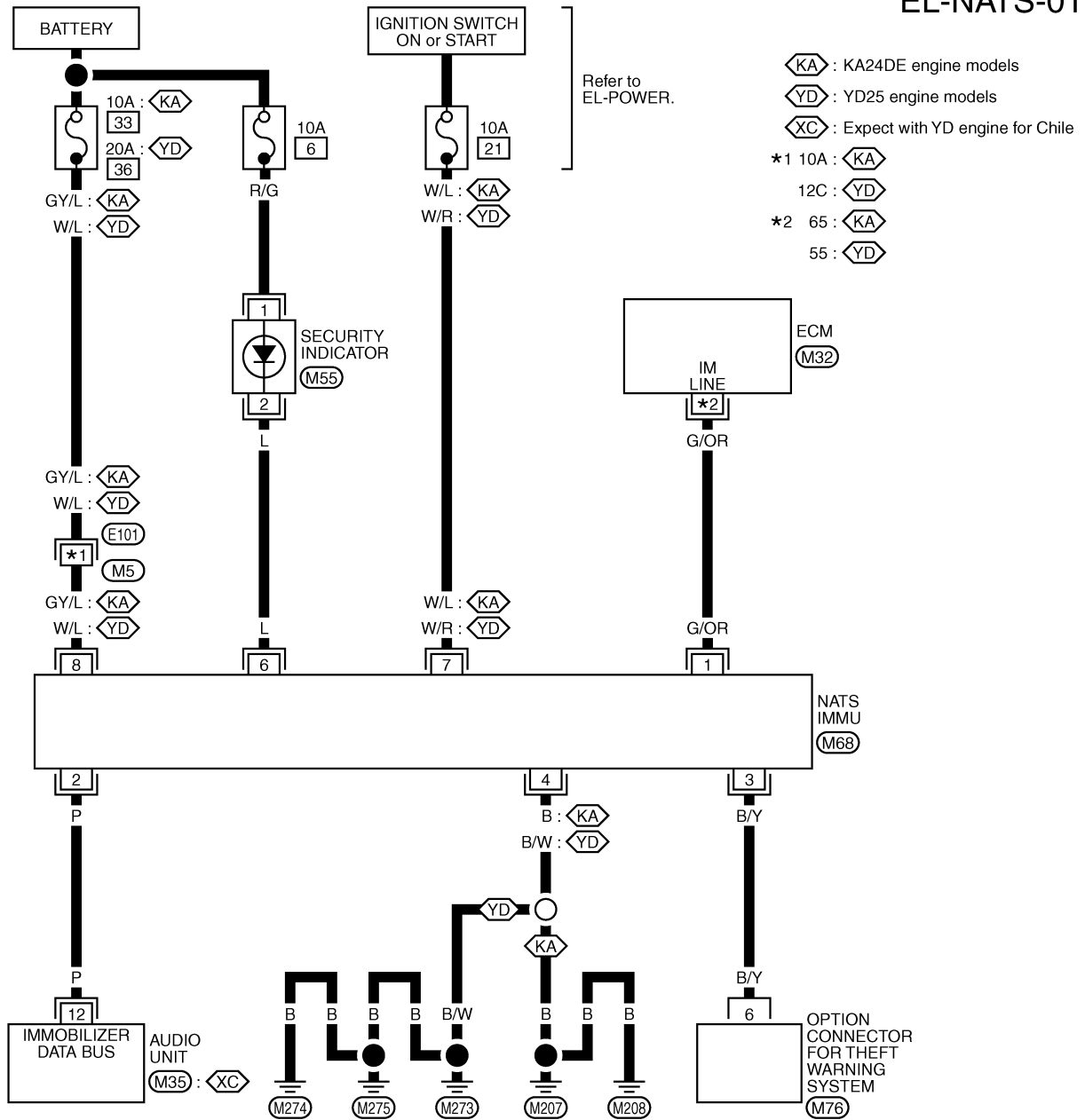


*: This connector is not shown in "HARNES LAYOUT".

NATS (Nissan Anti-Theft System)

Wiring Diagram — NATS —/LHD Models

EL-NATS-01



Refer to last page (Foldout page).

M5, E101
M32

NATS (Nissan Anti-Theft System)

NOTE

GI

MA

EM

LC

EC

FE

CL

MT

AT

TF

PD

FA

RA

BR

ST

RS

BT

HA

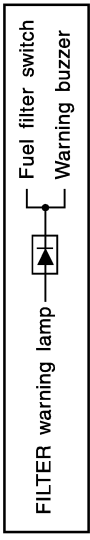
EL

IDX

HARNESS LAYOUT

Main Harness (Cont'd)

A4 (M1)	—	Body ground	E1 (M36)	W/4	To CD changer sub-harness (YD engine for Europe — with power window or single and king cab without air bag)	B2 (M69)	W/48	TCM (Transmission control module) (QD engine with A/T)
A4 (M2)	W/2	Warning buzzer (Diesel engine except for Europe and the Middle East)	F3 (M37)	B/2	Cigarette lighter	B2 (M70)	W/24	TCM (Transmission control module) (KA engine with A/T)
A4 (M3)	W/20	To (D1)	G2 (M38)	W/3	A/C switch (Without auto A/C)	B2 (M71)	GY/24	TCM (Transmission control module) (KA engine with A/T)
A3 (M4)	W/12	To (D2) (With power window)	G2 (M39)	W/6	Fan switch (Without auto A/C)	B2 (M72)	-/6	Joint connector-2 (With A/T)
A3 (M5)	SMJ	To (E10)	E2 (M40)	W/2	Fan switch illumination (Without auto A/C)	F1 (M74)	W/2	Intake air temperature sensor (With auto A/C)
A3 (M6)	W/24	To (N1)	E2 (M41)	W/8	Hazard switch	F1 (M75)	B/2	Sunload sensor (With auto A/C)
B3 (M7)	BR/24	To (N2)	E2 (M42)	W/6	Defogger switch (For Europe or double cab except for the Middle East)	C2 (M76)	W/6	Option connector (For Europe) (For theft warning system)
A2 (M8)	-/2	Diode (Diesel engine except for Europe and the Middle East)	G1 (M43)	Y/2	Front passenger air bag module	C3 (M78)	L/2	Shift lock brake switch (With A/T)
C4 (M9)	L/4	Fuel pump relay (KA engine)	F1 (M44)	BR/4	Thermo control amplifier (Without auto A/C)	E4 (M79)	Y/12	Air bag diagnosis sensor unit (For pre-tensioner seat belt)
B4 (M10)	—	Fuse block	G2 (M45)	BR/4	Fan resistor (Without auto A/C)	E4 (M80)	Y/20	Air bag diagnosis sensor unit (For pre-tensioner seat belt)
B4 (M11)	W/16	Data link connector	G2 (M46)	W/2	Blower motor	F4 (M81)	Y/12	Air bag diagnosis sensor unit (For pre-tensioner seat belt)
B3 (M12)	W/6	Fuse block	G3 (M49)	W/20	To (D31)	C3 (M82)	B/2	Brake pedal position switch (YD25)
B3 (M14)	W/4	Fuse block	G3 (M50)	W/6	To (D32) (With power window)	B5 (M83)	L/10	Diode (KA engine except for Europe)
E3 (M15)	B/3	Combination flasher unit	F3 (M51)	W/8	Door lock timer (With power door lock except for Europe)	A3 (M84)	BR/2	Resistor (With A/T)
C3 (M16)	B/2	Stop lamp switch	G3 (M52)	W/2	Circuit breaker-2 (For Europe and KA engine for the Middle East — except double cab without power window)	C2 (M85)	GY/6	Accelerator work unit (YD25)
A4 (M17)	L/4	Front fog lamp relay (YD engine for Europe)	B4 (M53)	L/4	Diode (KA engine for Europe)	E3 (M86)	BR/10	Mode door motor (With auto A/C)
B4 (M18)	W/6	Not used (QD engine with A/T)	G3 (M54)	—	Body ground	E3 (M87)	W/2	In-vehicle sensor (With auto A/C)
A2 (M19)	W/6	To (R1)	F1 (M55)	W/2	Security indicator (With NATS)	F3 (M88)	GY/20	A/C auto amp. (With auto A/C)
D3 (M20)	W/6	Ignition switch	E1 (M56)	W/10	Audio unit (YD engine for Chile)	G3 (M89)	GY/16	A/C auto amp. (With auto A/C)
D2 (M21)	W/1	Parking brake switch (Stick type)	E1 (M57)	W/6	Audio unit (YD engine with rear speaker for Chile)	G3 (M90)	L/2	Aspirator motor (With auto A/C)
D2 (M23)	BR/8	Lighting switch • Turn signal lamp switch	C3 (M58)	BR/8	Multi-remote control unit (For Europe except double cab without power window)	G2 (M91)	B/6	Air mix door motor (With auto A/C)
D2 (M24)	BR/4	Lighting switch	F3 (M59)	BR/6	Defogger relay (For Europe or double cab except for the Middle East)	F1 (M92)	W/4	Fan control amp. (With auto A/C)
D3 (M25)	Y/7	Spiral cable (With air bag)	F4 (M60)	L/4	Rear fog lamp relay (For Europe)	F1 (M93)	W/4	Intake door motor (With auto A/C)
C3 (M26)	L/2	A/T check switch	F4 (M61)	L/4	Front fog lamp relay (ZD engine)	C2 (M94)	BR/3	Accelerator position sensor (ZD30)
D2 (M27)	B/1	Horn switch (Without air bag)	F3 (M62)	W/18	Smart entrance control unit (For Europe)	C2 (M95)	GY/3	Accelerator position switch (ZD30)
D2 (M28)	GY/8	Wiper and washer switch	D3 (M63)	W/3	Front fog lamp switch	C2 (M96)	W/3	Accelerator switch (F/C) (ZD30)
D3 (M29)	W/12	Glow control unit (TD engine except for cold areas and QD engine)	D2 (M65)	W/6	Fog lamp switch (For Europe)	E1 (M98)	W/12	Audio unit (Via sub-harness) (Except for Europe)
C3 (M30)	W/16	Glow control unit (TD engine for cold areas)	E3 (M68)	W/8	NATS IMMU (For Europe)	Diode (M8)		
D4 (M31)	GY/6	Joint connector-1 (KA engine)	D3 (M66)	W/3	Front fog lamp switch (YD engine for Chile and ZD engine)	FILTER warning lamp		Fuel filter switch
D4 (M32)	SMJ	ECM (KA, YD and ZD engines)	E3 (M68)	W/8	Fog lamp switch (For Europe)	Warning buzzer		Warning buzzer
D4 (M33)	—	Joint connector-3 (KA engine for Europe)	E3 (M68)	W/8	NATS IMMU (For Europe)			
F3 (M34)	W/2	Ashtray illumination (With gasoline engine for the Middle East)	E3 (M68)	W/8	NATS IMMU (For Europe)			
E1 (M35)	W/10	Audio unit (For Europe)	E3 (M68)	W/8	NATS IMMU (For Europe)			

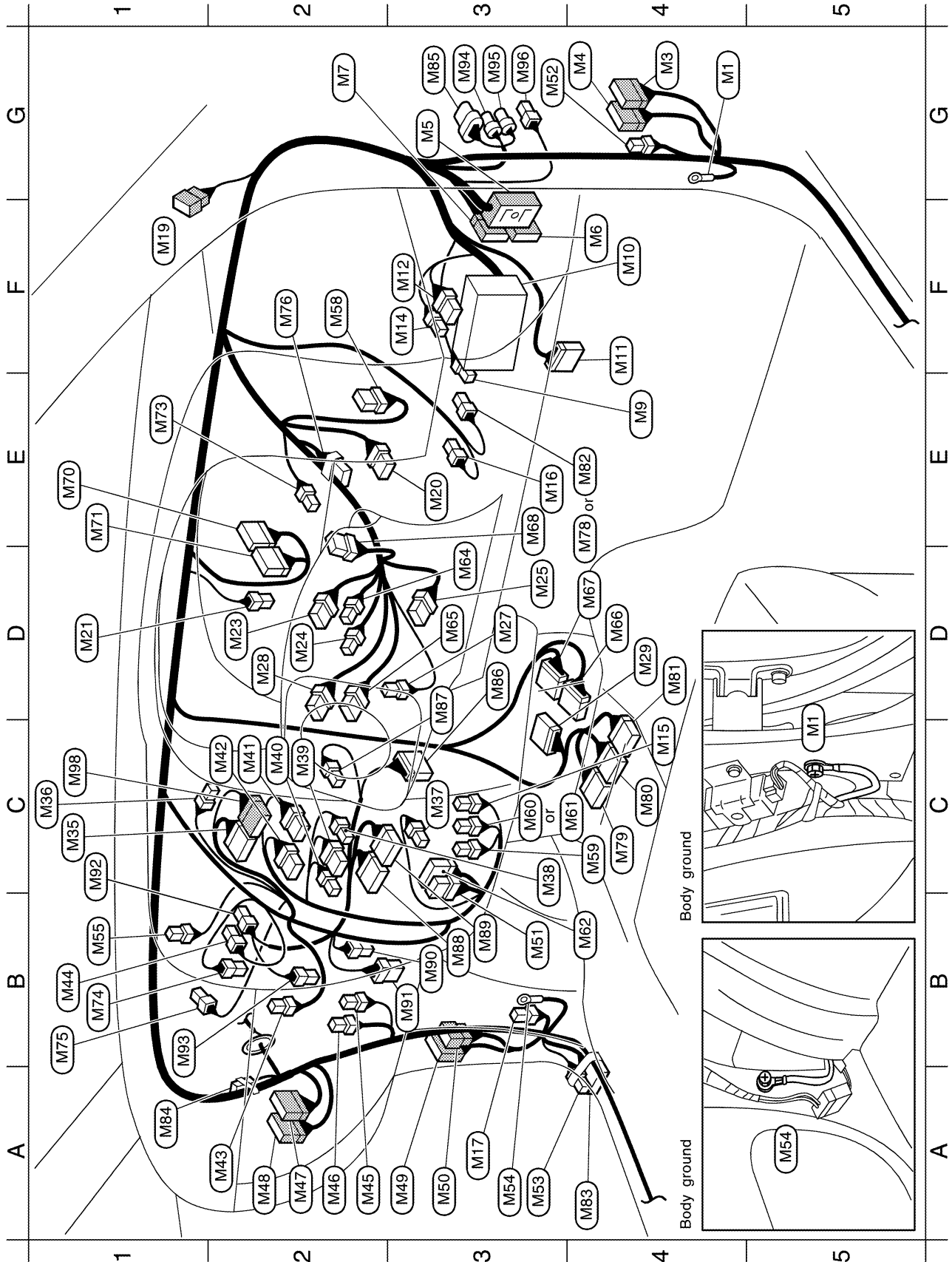


EL
HA
BT
RS
ST
BR
RA
FA
PD
TF
AT
MT
CL
FE
EC
LC
EM
MA
GI

HARNESS LAYOUT

Main Harness (Cont'd)

INSTRUMENT PANEL — RHD MODELS



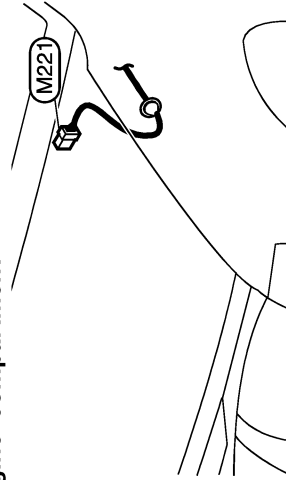
HEL084C

HARNESS LAYOUT

Main Harness (Cont'd)

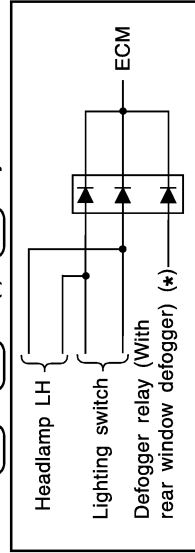
G4 (M1)	—	: Body ground	A2 (M46)	W/2	: Blower motor	C4 (M80)	Y/20	: Air bag diagnosis sensor unit (With air bag)
G4 (M3)	W/20	: To (D1)	A2 (M47)	W/16	: To (F55) (KA, VG, YD and ZD engines)	D4 (M81)	Y/12	: Air bag diagnosis sensor unit (With air bag for Europe and Australia)
G4 (M4)	W/12	: To (D2) (With power window)	A2 (M48)	W/24	: To (F54) (KA, VG, YD and ZD engines)	E4 (M82)	B/2	: Brake pedal position switch (YD engine)
G3 (M5)	SMJ	: To (E101)	A3 (M49)	W/20	: To (D31)	A4 (M83)	L/10	: Diode (Double cab with KA engine)
F4 (M6)	W/24	: To (N1)	A3 (M50)	W/6	: To (D32) (With power window)	A1 (M84)	BR/2	: Resistor (With A/T)
G2 (M7)	BR/24	: To (N2)	B3 (M51)	W/8	: Door lock timer (With power door lock except for Europe)	G3 (M85)	GY/6	: Accelerator work unit (YD engine)
E4 (M9)	L/4	: Fuel pump relay (KA and VG engines)	G3 (M52)	W/2	: Circuit breaker-2 (For Europe except double cab without power window)	D3 (M86)	BR/10	: Mode door motor (With auto A/C)
F4 (M10)	—	: Fuse block	A3 (M53)	L/4	: Diode (Single cab with KA engine)	D3 (M87)	W/2	: In-vehicle sensor (With auto A/C)
F4 (M11)	W/16	: Data link connector	A3 (M54)	—	: Body ground	B3 (M88)	GY/20	: A/C auto amp. (With auto A/C)
F3 (M12)	W/6	: Fuse block	B1 (M55)	W/2	: Security indicator (For Europe)	B3 (M89)	GY/16	: A/C auto amp. (With auto A/C)
F3 (M14)	W/4	: Fuse block	F2 (M58)	BR/8	: Multi-remote control unit (For Europe except double cab without power window)	B3 (M90)	L/2	: Aspirator motor (With auto A/C)
C4 (M15)	B/3	: Combination flasher unit	C4 (M59)	BR/6	: Defogger relay (For Europe or king cab and double cab)	B3 (M91)	B/6	: Air mix door motor (With auto A/C)
E3 (M16)	B/2	: Stop lamp switch	C3 (M60)	L/4	: Rear fog lamp relay (For Europe)	C1 (M92)	W/4	: Fan control amp. (With auto A/C)
A3 (M17)	L/4	: Front fog lamp relay (For Europe)	C4 (M61)	W/4	: Front fog lamp relay (ST•SE grade with ZD engine except king cab)	B1 (M93)	W/4	: Intake door motor (With auto A/C)
F1 (M19)	W/6	: To (R1)	B4 (M62)	W/18	: Smart entrance control unit (For Europe)	G3 (M94)	BR/3	: Accelerator position sensor (ZD engine)
E3 (M20)	W/6	: Ignition switch	D3 (M64)	L/6	: Front fog lamp switch (ST•SE grade with ZD engine except king cab)	G3 (M95)	GY/3	: Accelerator position switch (ZD engine)
D1 (M21)	W/1	: Parking brake switch (Stick type)	D3 (M65)	W/6	: Front and rear fog lamp switch (For Europe)	G3 (M96)	W/3	: Accelerator switch (F/C) (ZD engine)
D2 (M23)	BR/8	: Lighting switch	E1 (M70)	W/24	: TCM (Transmission control module) (With A/T)	C1 (M98)	W/12	: Audio unit (Via sub-harness) (Except for Europe)
D2 (M24)	BR/4	: Turn signal lamp switch	E1 (M71)	GY/24	: TCM (Transmission control module) (With A/T)			
D3 (M25)	Y/7	: Lighting switch	E1 (M73)	W/4	: A/T device (With A/T and column shift)			
D3 (M27)	B/1	: Spiral cable (With air bag)	B1 (M74)	W/2	: Intake air temperature sensor (With auto A/C)			
D2 (M28)	GY/8	: Wiper and washer switch	B1 (M75)	B/2	: Sunload sensor (With auto A/C)			
D4 (M29)	W/12	: Glow control unit (TD engine without EGR and QD engine)	F2 (M76)	W/6	: Option connector for theft warning system (For Europe)			
C1 (M35)	W/16	: Audio unit (For Europe)	E4 (M78)	L/2	: Shift lock brake switch (With A/T)			
C1 (M36)	W/4	: To CD changer sub-harness (For Europe except double cab without power window)	C4 (M79)	Y/12	: Air bag diagnosis sensor unit (With air bag for Europe and Australia)			
C3 (M37)	B/2	: Cigarette lighter						
C3 (M38)	W/3	: A/C switch (Without auto A/C)						
C2 (M39)	W/6	: Fan switch (Without auto A/C)						
C2 (M40)	W/2	: Fan switch illumination (Without auto A/C)						
C2 (M41)	W/8	: Hazard switch						
C2 (M42)	W/6	: Defogger switch (For Europe or king cab and double cab)						
A2 (M43)	Y/2	: Air bag module passenger side						
B1 (M44)	BR/4	: Thermo control amplifier (Without auto A/C)						
A2 (M45)	BR/4	: Fan resistor (Without auto A/C)						

Engine compartment



(M221) W/6 : Wiper motor (TD and QD engines)

Diode (M53 or M83) (*):... (M83) only

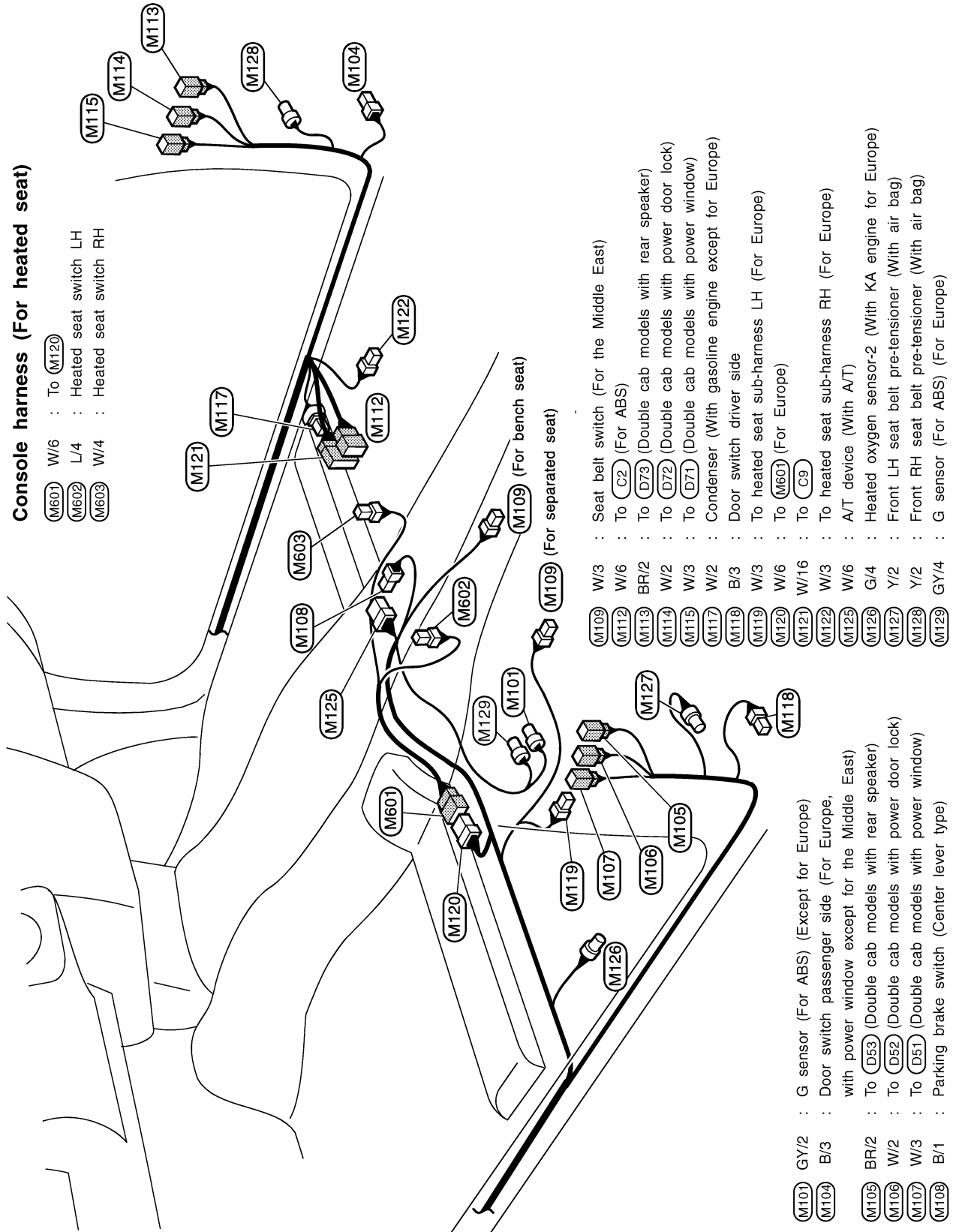


GI
MA
EM
LC
EC
FE
CL
MT
AT
TF
PD
FA
RA
BR
ST
RS
BT
HA
EL
IDX

HARNESS LAYOUT

Main Harness (Cont'd)

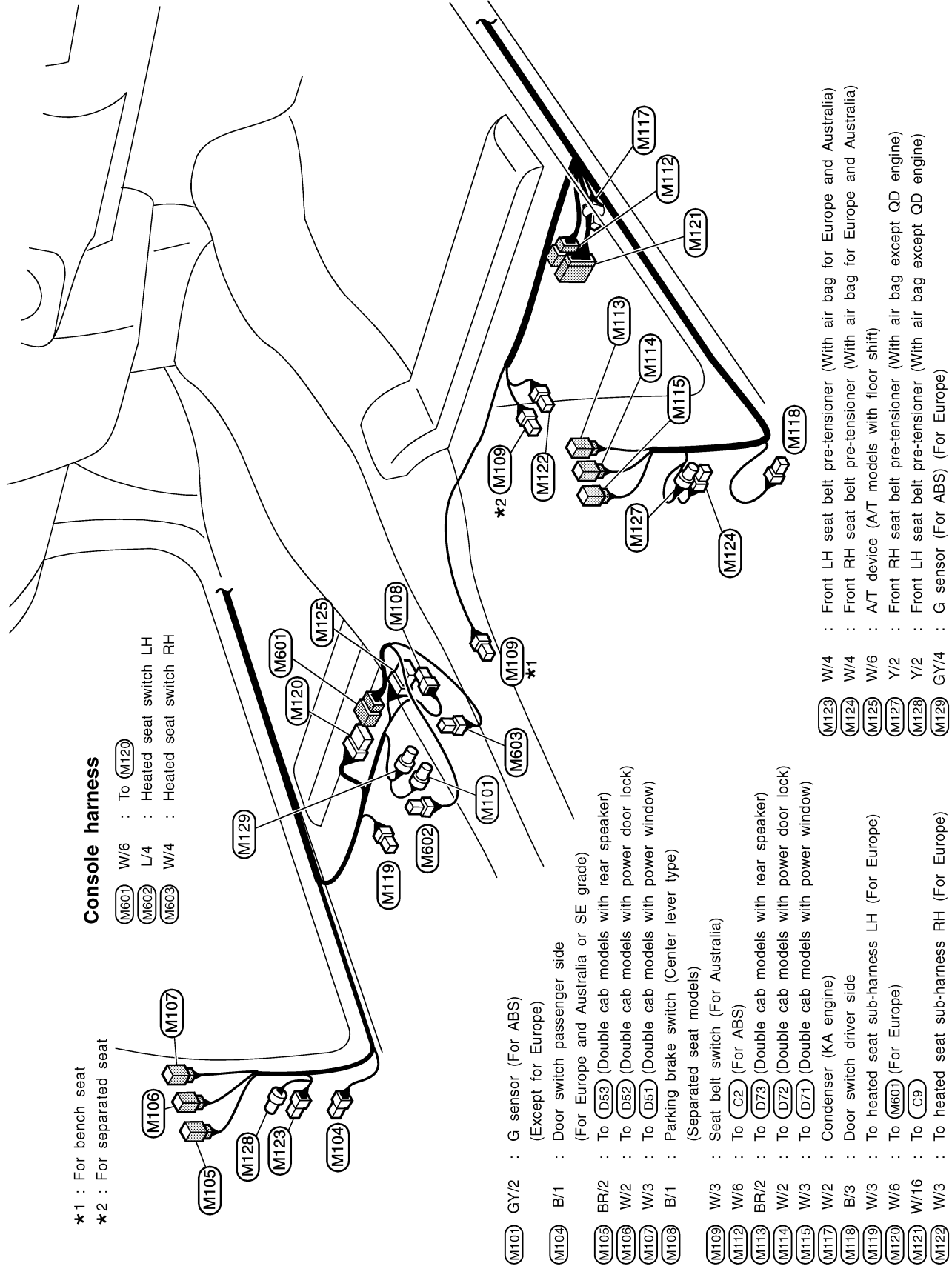
BODY SIDE — LHD MODELS



HARNESS LAYOUT

Main Harness (Cont'd)

BODY SIDE — RHD MODELS



Console harness

- M601 : To M120 W/6
- M602 : Heated seat switch LH L/4
- M603 : Heated seat switch RH W/4

- *1 : For bench seat
- *2 : For separated seat

- M101 : G sensor (For ABS) (Except for Europe) GY/2
- M104 : Door switch passenger side (For Europe and Australia or SE grade) B/1
- M105 : To D53 (Double cab models with rear speaker) BR/2
- M106 : To D52 (Double cab models with power door lock) W/2
- M107 : To D51 (Double cab models with power window) W/3
- M108 : Parking brake switch (Center lever type) B/1
- M109 : Separated seat models (Separated seat models) W/3
- M112 : Seat belt switch (For Australia) W/6
- M112 : To C2 (For ABS) W/6
- M113 : To D73 (Double cab models with rear speaker) BR/2
- M114 : To D72 (Double cab models with power door lock) W/2
- M115 : To D71 (Double cab models with power window) W/3
- M117 : Condenser (KA engine) W/2
- M118 : Door switch driver side B/3
- M119 : To heated seat sub-harness LH (For Europe) W/3
- M120 : To M601 (For Europe) W/6
- M121 : To C9 W/16
- M122 : To heated seat sub-harness RH (For Europe) W/3

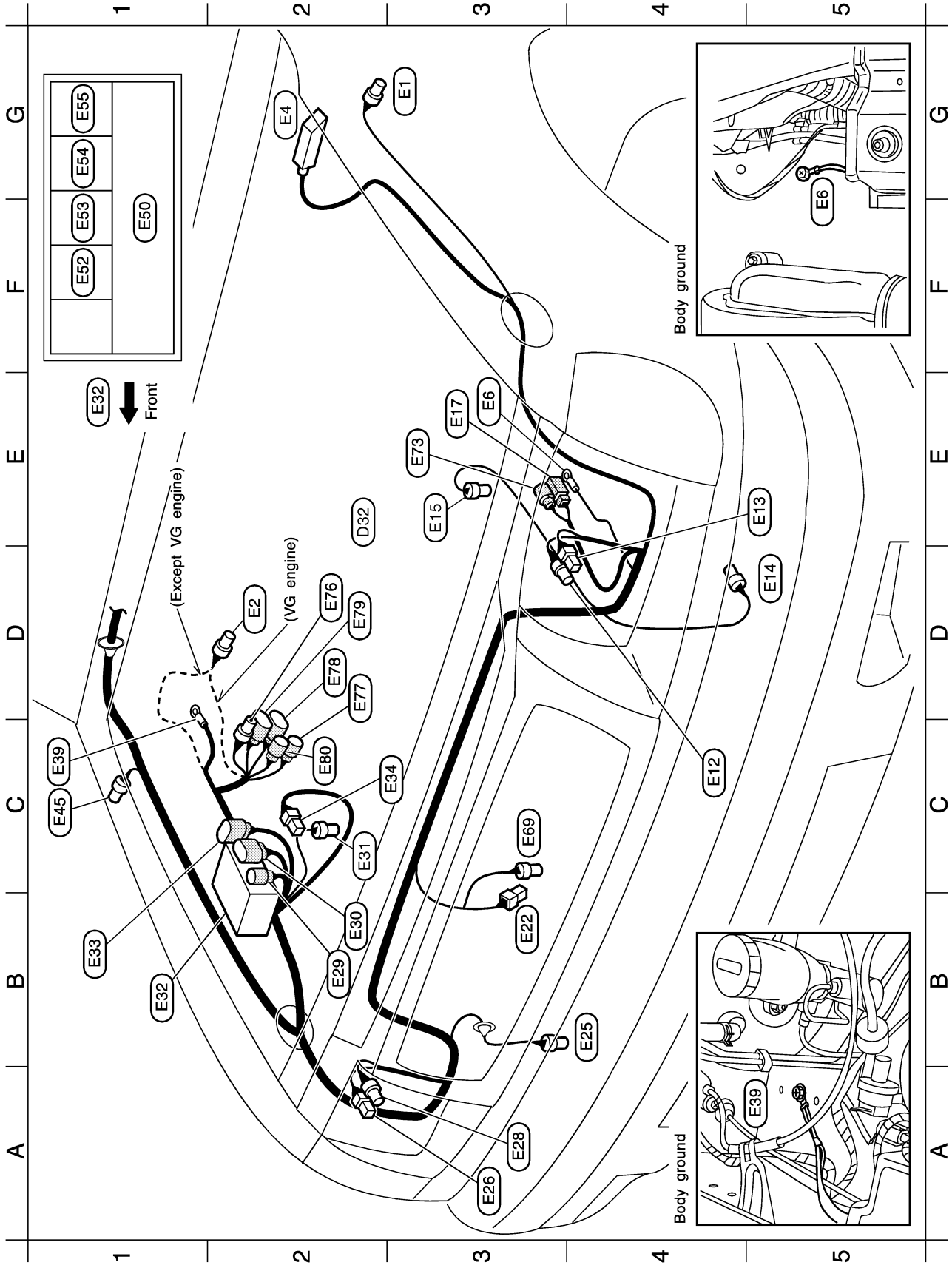
- M123 : Front LH seat belt pre-tensioner (With air bag for Europe and Australia) W/4
- M124 : Front RH seat belt pre-tensioner (With air bag for Europe and Australia) W/6
- M125 : A/T device (A/T models with floor shift) W/6
- M127 : Front RH seat belt pre-tensioner (With air bag except QD engine) Y/2
- M128 : Front LH seat belt pre-tensioner (With air bag except QD engine) Y/2
- M129 : G sensor (For ABS) (For Europe) GY/4

GI
 MA
 EM
 LC
 EC
 FE
 CL
 MT
 AT
 TF
 PD
 FA
 RA
 BR
 ST
 RS
 BT
 HA
EL
 IDX

HARNESS LAYOUT

Engine Room Harness

RHD MODELS — GASOLINE ENGINE



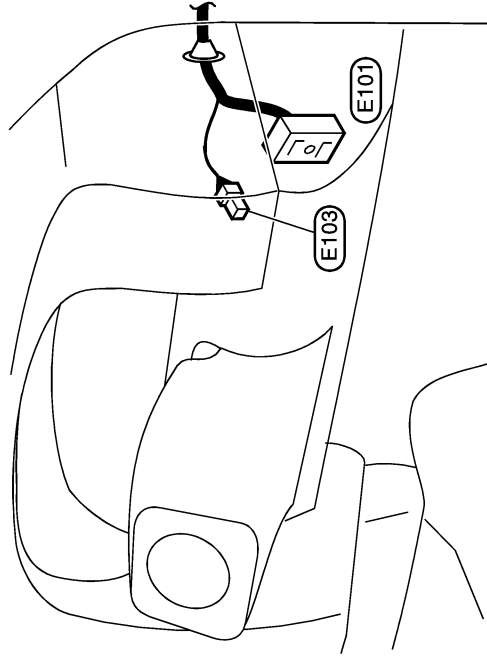
HARNESS LAYOUT

Engine Room Harness (Cont'd)

G3 (E1)	GY/2	: Side turn signal lamp LH
D2 (E2)	GY/2	: Brake fluid level switch
G2 (E4)	B/31	: ABS actuator and electric unit (For ABS)
E3 (E6)	—	: Body ground
C4 (E12)	GY/3	: Front combination lamp LH
E5 (E13)	B/3	: Headlamp LH
D5 (E14)	GY/2	: Washer motor
E3 (E15)	BR/2	: Front wheel sensor LH (For ABS)
E3 (E17)	B/2	: To (A2) (VG engine)
B3 (E22)	B/1	: Horn low
B4 (E25)	GY/4	: Triple-pressure switch
A3 (E26)	B/3	: Headlamp RH
A3 (E28)	GY/3	: Front combination lamp RH (For Australia)
B2 (E29)	GY/2	: To (E204) (Except VG engine) To (E502) (VG engine)
B2 (E30)	GY/8	: To (E203) (Except VG engine)
C2 (E31)	GY/2	: Front wheel sensor RH (For ABS)
B1 (E32)	—	: Relay box (Fusible link and fuse box)
B1 (E33)	SB/8	: To (E205) (Except VG engine)
C3 (E34)	B/1	: Battery
C1 (E39)	—	: Body ground
C1 (E45)	GY/2	: Side turn signal lamp RH
F1 (E50)	—	: Fusible link and fuse box
F1 (E52)	L/4	: Air conditioner relay
F1 (E63)	W/3	: Horn relay
G1 (E54)	BR/6	: Park/Neutral position relay (With A/T)
G1 (E55)	BR/6	: ECM relay (KA engine)
	L/4	: ECM relay (VG engine)
C3 (E69)	BR/2	: Ambient temperature switch (KA engine)

E3 (E73)	GY/2	: To (A3) (VG engine)
D2 (E76)	GY/2	: Dropping resistor (With A/T)
D2 (E77)	GY/2	: Park/Neutral position switch (With A/T)
D2 (E78)	GY/8	: Park/Neutral position switch (With A/T)
D2 (E79)	BR/8	: To terminal cord assembly (With A/T)
C2 (E80)	GY/3	: Revolution sensor (With A/T)

PASSENGER COMPARTMENT



(E101)	SMJ	: To (M5)
(E103)	B/2	: Fuse block

GI
MA
EM
LC
EC
FE
CL
MT
AT
TF
PD
FA
RA
BR
ST
RS
BT
HA

EL

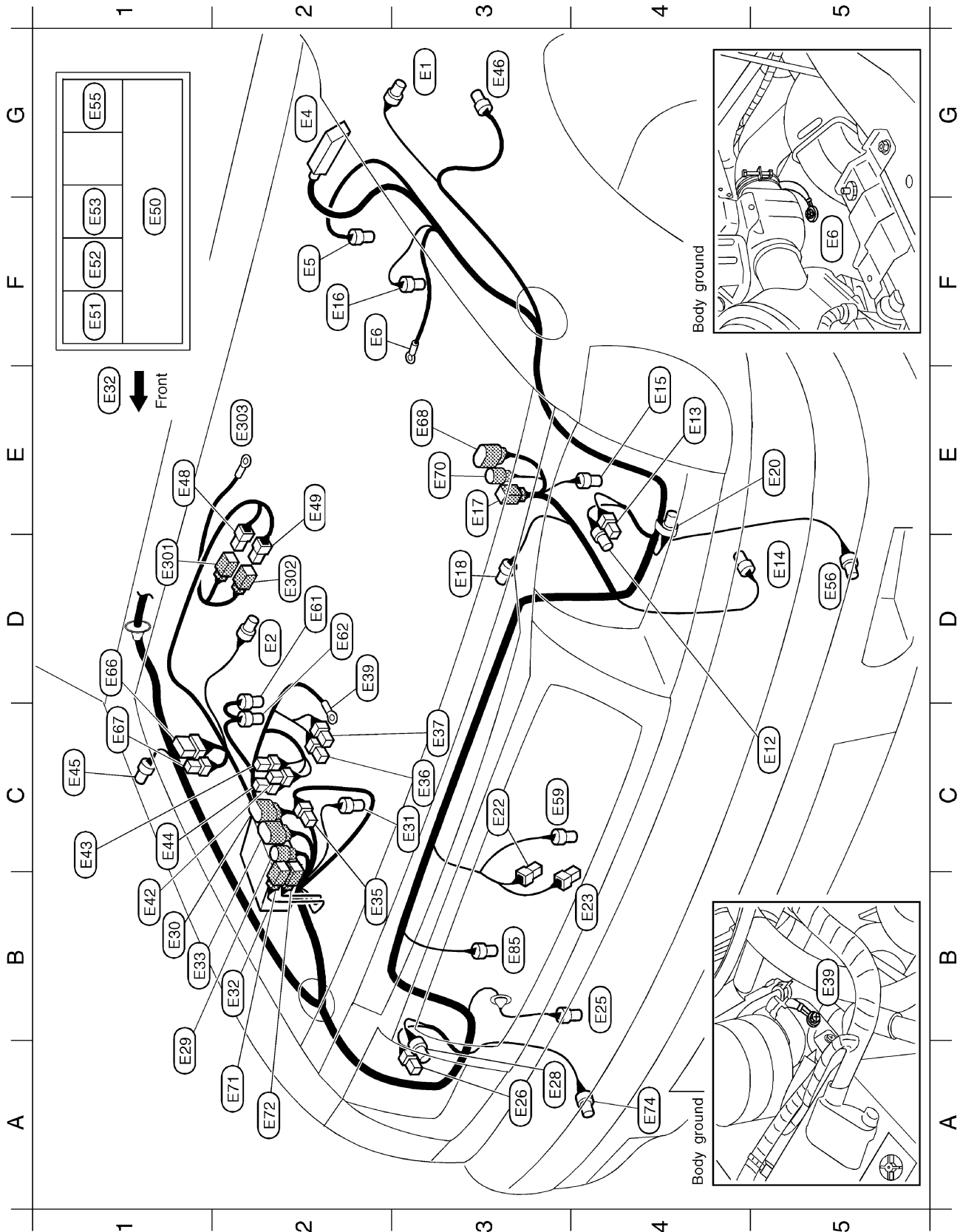
HEL148C

IDX

HARNESS LAYOUT

Engine Room Harness (Cont'd)

RHD MODELS — DIESEL ENGINE



HEL968B

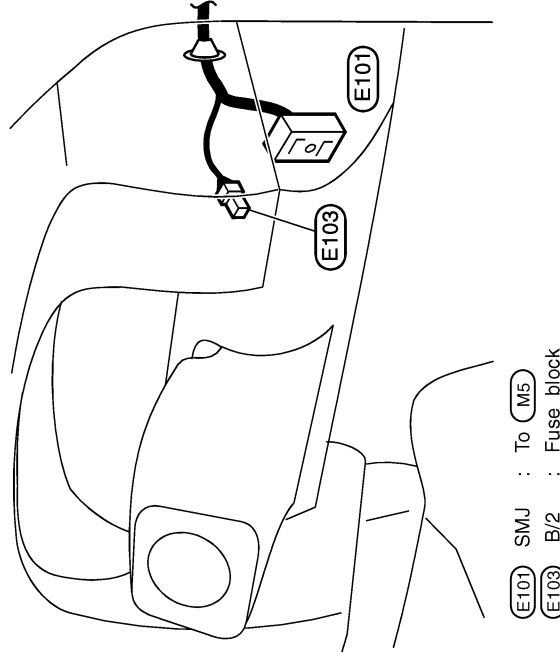
HARNESS LAYOUT

Engine Room Harness (Cont'd)

G3 (E1)	GY/2	: Side turn signal lamp LH
D2 (E2)	GY/2	: Brake fluid level switch
G2 (E4)	B/31	: ABS actuator and electric unit (For ABS)
F2 (E5)	BR/2	: Fuel filter switch (Except for Europe)
F2 (E6)	—	: Body ground
C5 (E12)	GY/3	: Front combination lamp LH
E4 (E13)	B/3	: Headlamp LH
D5 (E14)	GY/2	: Washer motor
E4 (E15)	BR/2	: Front wheel sensor LH (For ABS)
F2 (E16)	GY/2	: Intake air temperature sensor (YD and ZD engines)
E3 (E17)	B/2	: To (A2)
D3 (E18)	GY/2	: Thermo-switch (QD engine)
E5 (E20)	GY/2	: Option connector (For hood switch) (For Europe)
C3 (E22)	B/1	: Horn low
B4 (E23)	B/1	: Horn high (ZD engine except for Australia, QD engine without ABS and YD engine)
B4 (E25)	GY/4	: Triple-pressure switch
A3 (E26)	B/3	: Headlamp RH
A3 (E28)	BR/3	: Front combination lamp RH
A1 (E29)	GY/2	: To (E204)
B1 (E30)	GY/8	: To (E203) (With ECM control engine)
C3 (E31)	GY/2	: Front wheel sensor RH (For ABS)
B2 (E32)	—	: Relay box (Fusible link and fuse box)
B1 (E33)	SB/8	: To (E205)
B2 (E35)	B/1	: To (E206) (TD and QD engines)
C3 (E36)	B/1	: IACV-FICD solenoid valve (TD and QD engines)
C3 (E37)	B/1	: IACV-FICD solenoid valve (TD and QD engines)
D2 (E38)	—	: Body ground
B1 (E42)	W/1	: Glow relay-1
C1 (E43)	W/1	: Glow relay-1
C1 (E44)	G/2	: Glow relay-1
C1 (E45)	GY/2	: Side turn signal lamp RH
G3 (E46)	GY/3	: Power antenna (For Europe)
E1 (E48)	B/1	: To (E301) (QD engine)
E2 (E49)	L/2	: To (E302) (TD engine)
G1 (E50)	—	: Fusible link and fuse box
F1 (E51)	L/4	: Cooling fan relay (Except TD engine)
F1 (E52)	L/4	: Air conditioner relay
G1 (E53)	W/3	: Horn relay
G1 (E55)	BR/6	: ECM relay (YD and ZD engines)
D5 (E56)	B/2	: Front fog lamp LH (For Europe)
C3 (E59)	B/2	: Ambient sensor (YD and ZD engines)

D2 (E61)	B/2	: EGRC-solenoid valve (Throttle chamber) (TD engine with EGR)
D2 (E62)	BR/2	: EGRC-solenoid valve (EGR valve) (TD engine with EGR)
D1 (E66)	GY/6	: Dim-dip lamp unit (For Europe)
C1 (E67)	GY/4	: Dim-dip lamp unit (For Europe)
E3 (E68)	GY/8	: To (A13) (TD and QD engines)
E3 (E70)	BR/3	: To (A14) (YD and ZD engines)
A2 (E71)	B/2	: To (E231) (YD and ZD engines)
A2 (E72)	B/1	: To (E232) (YD and ZD engines)
A4 (E74)	B/2	: Front fog lamp RH (For Europe)
B3 (E85)	GY/2	: Cooling fan motor (Except TD engine)

PASSENGER COMPARTMENT



Sub-harness

D1 (E301)	B/1	: To (E48) (QD engine)
D2 (E302)	L/2	: To (E49) (TD engine)
E2 (E303)	—	: Glow plug (TD and QD engines)

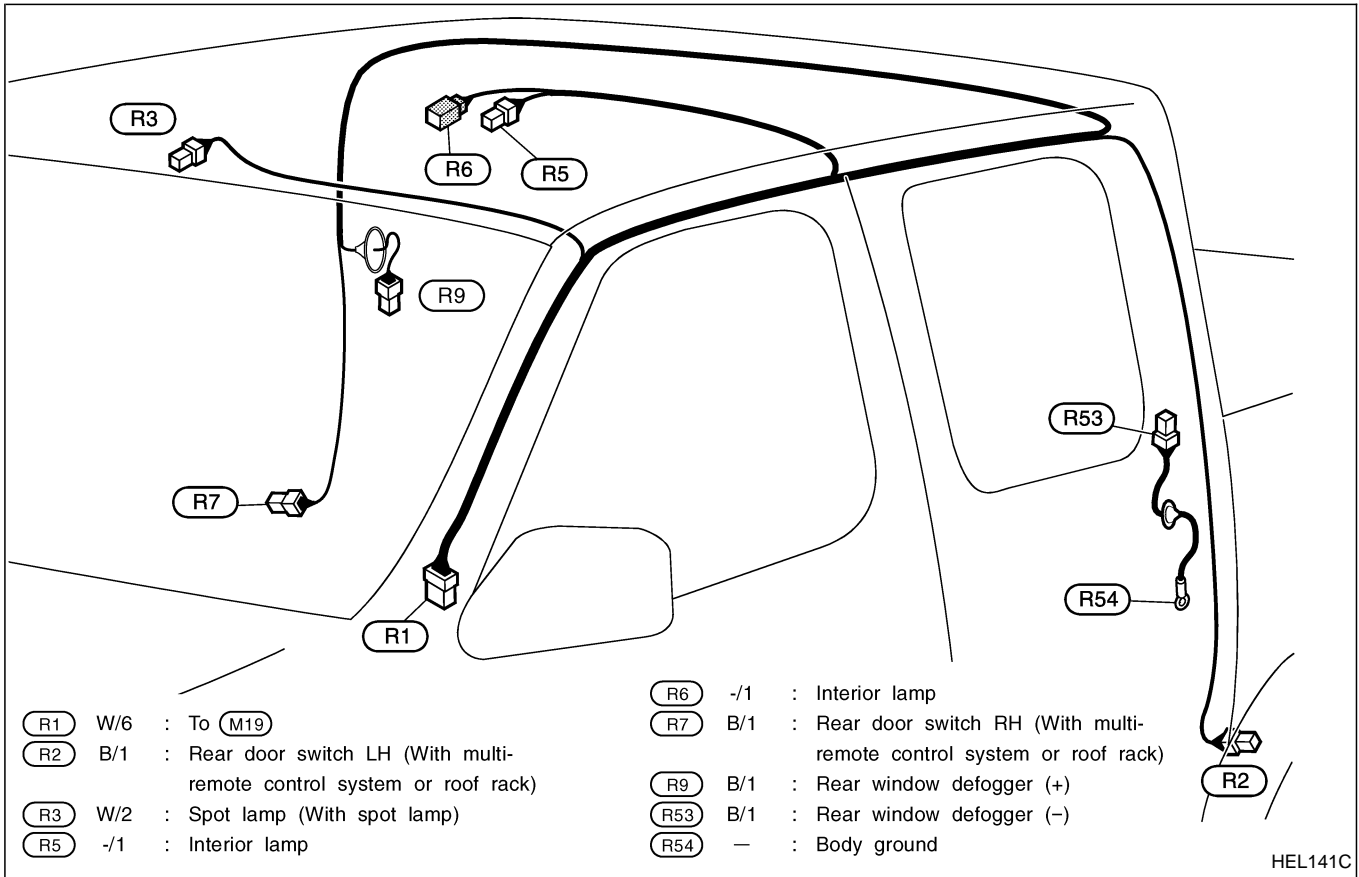
GI
MA
EM
LC
EC
FE
CL
MT
AT
TF
PD
FA
RA
BR
ST
RS
BT
HA

EL

HARNESS LAYOUT

Room Lamp Harness/LHD Models

DOUBLE CAB

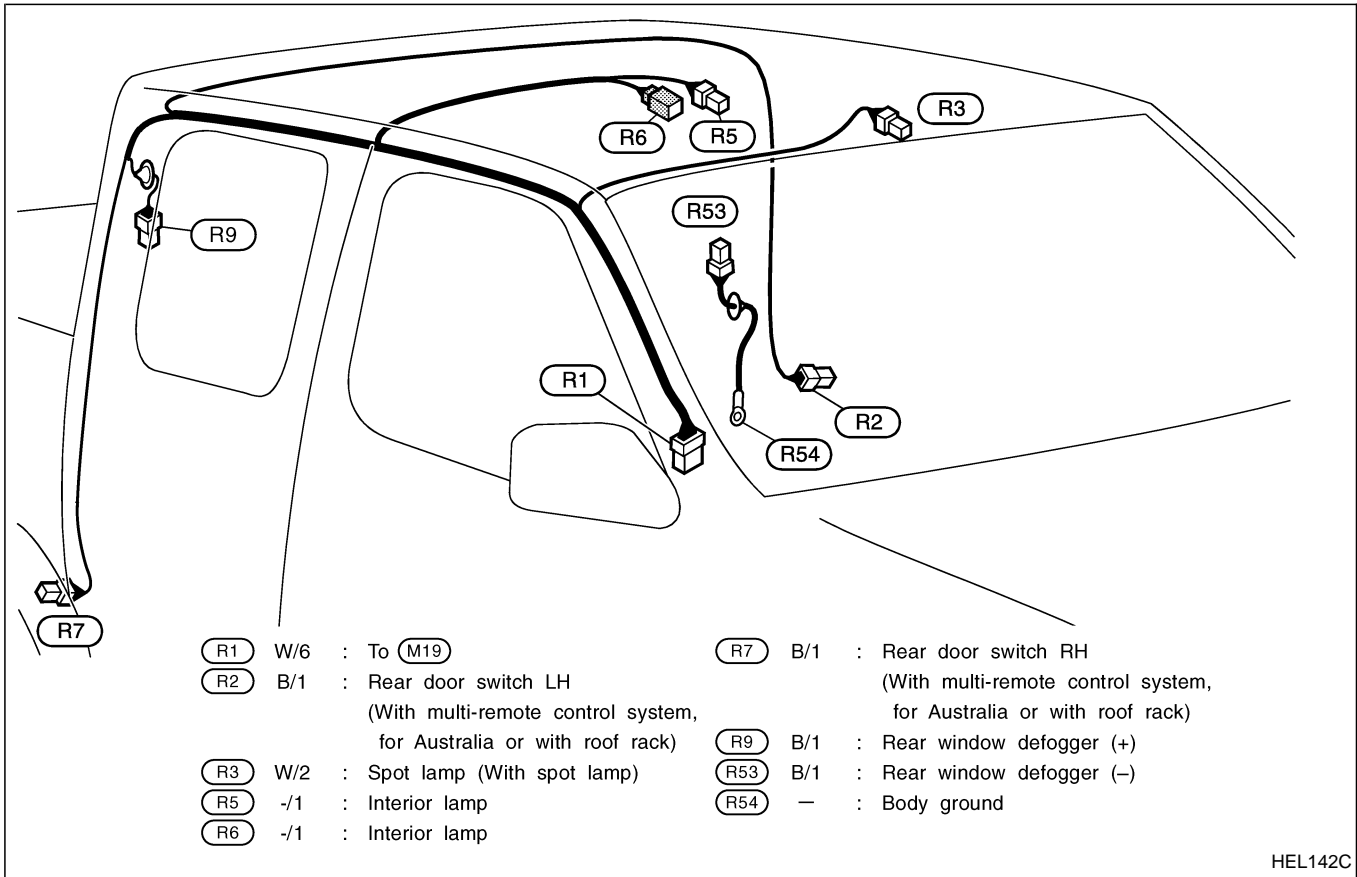


HEL141C

HARNESS LAYOUT

Room Lamp Harness/RHD Models

DOUBLE CAB



HEL142C

GI
MA
EM
LC
EC
FE
CL
MT
AT
TF
PD
FA
RA
BR
ST
RS
BT
HA
EL
IDX