

FRONT AXLE & FRONT SUSPENSION

GI

SECTION FA

MA

EM

LC

MODIFICATION NOTICE:

- Tightening torque have been changed.
- Wheel alignment have been changed.

EC

FE

CONTENTS

CL

FRONT SUSPENSION	2	SERVICE DATA AND SPECIFICATIONS (SDS)	4
		Inspection and Adjustment	4

MT

AT

TF

PD

FA

RA

BR

ST

RS

BT

HA

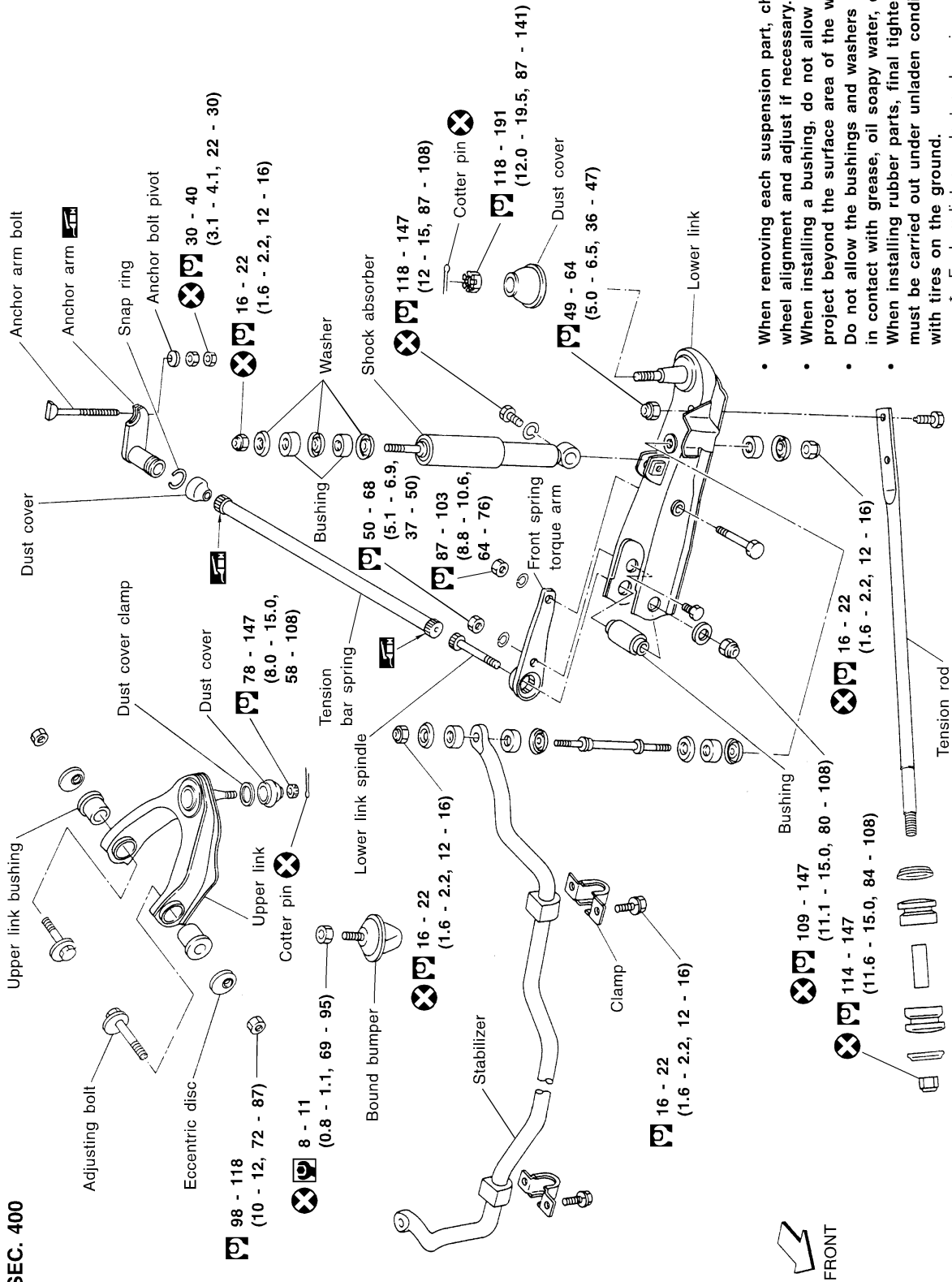
EL

IDX

FRONT SUSPENSION

2WD

SEC. 400



- When removing each suspension part, check wheel alignment and adjust if necessary.
- When installing a bushing, do not allow it to project beyond the surface area of the washer.
- Do not allow the bushings and washers to come in contact with grease, oil soapy water, etc.
- When installing rubber parts, final tightening must be carried out under unladen condition* with tires on the ground.

* Fuel, radiator coolant and engine oil full.
Spare tire, jack, hand tools and mats in designated positions.

- When removing or installing brake tubes, use flare nut torque wrench.

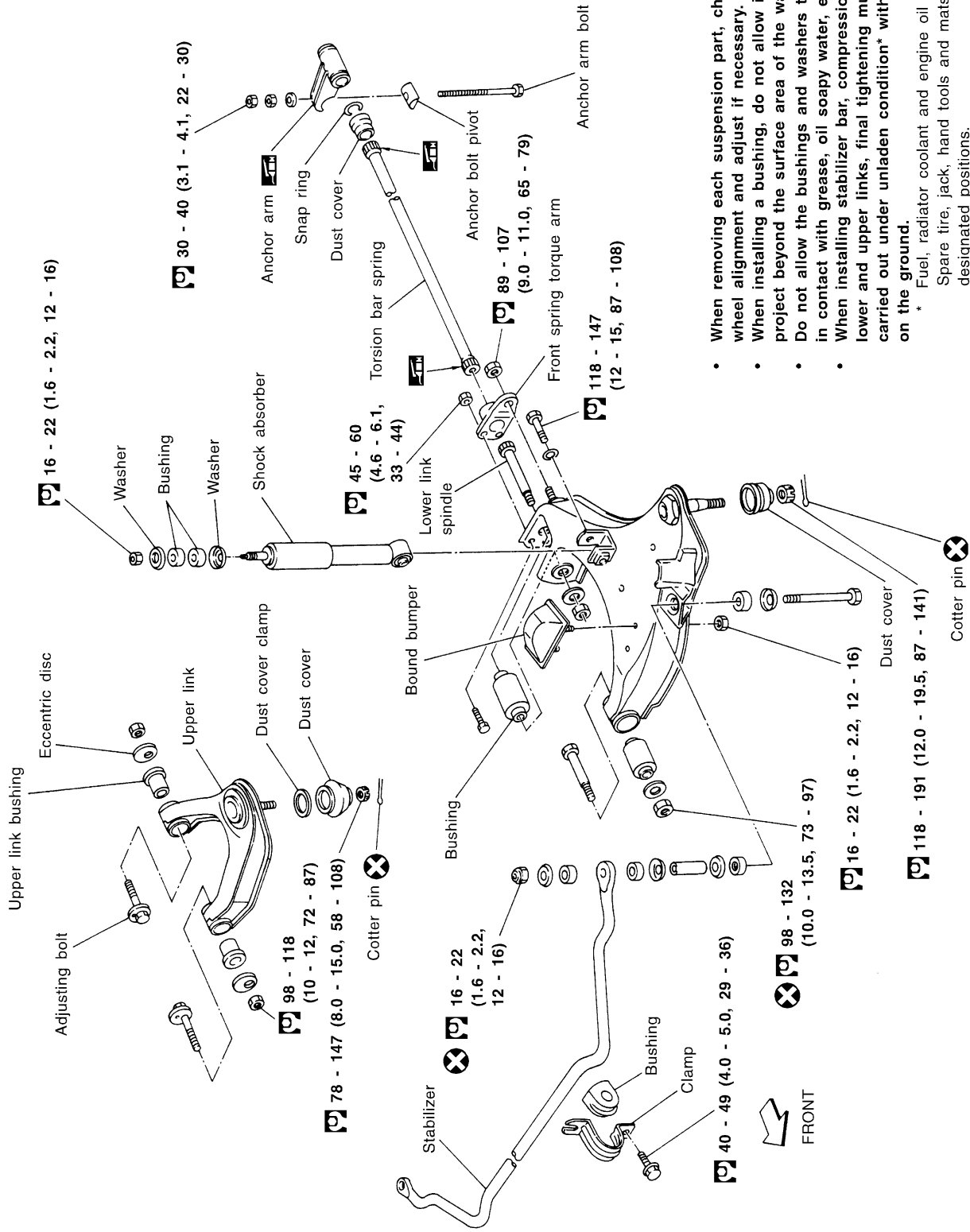
: N·m (kg-m, in-lb)

: N·m (kg-m, ft-lb)

FRONT SUSPENSION

4WD

SEC. 401



- When removing each suspension part, check wheel alignment and adjust if necessary.
 - When installing a bushing, do not allow it to project beyond the surface area of the washer.
 - Do not allow the bushings and washers to come in contact with grease, oil soapy water, etc.
 - When installing stabilizer bar, compression rod, lower and upper links, final tightening must be carried out under unladen condition* with tires on the ground.
- * Fuel, radiator coolant and engine oil full.
Spare tire, jack, hand tools and mats in designated positions.
- When removing or installing brake tubes, use flare nut torque wrench.

Ⓜ : N·m (kg·m, ft·lb)

GI
MA
EM
LC
EC
FE
CL
MT
AT
TF
PD
FA
RA
BR
ST
RS
BT
HA
EL
IDX

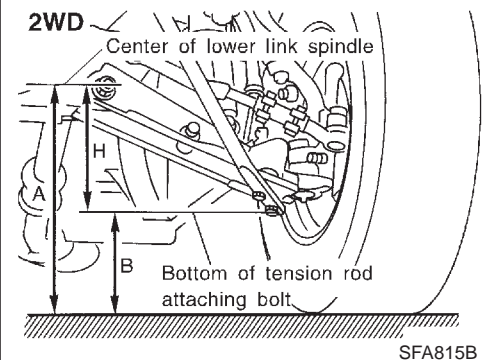
SERVICE DATA AND SPECIFICATIONS (SDS)

Inspection and Adjustment

WHEEL ALIGNMENT (Unladen*1)

2WD

Applied model		Europe and Australia	Except Europe and Australia		
Camber	Degree minute (Decimal degree)	Minimum	-0°05' (-0.08°)	-0°13' (-0.22°)	
		Nominal	0°25' (0.42°)	0°17' (0.28°)	
		Maximum	0°55' (0.92°)	0°47' (0.78°)	
		Left and right difference	45' (0.75°) or less		
Caster	Degree minute (Decimal degree)	Minimum	-0°08' (-0.13°)	0°02' (0.03°)	
		Nominal	0°22' (0.37°)	0°32' (0.53°)	
		Maximum	0°52' (0.87°)	1°02' (1.03°)	
		Left and right difference	45' (0.75°) or less		
Kingpin inclination	Degree minute (Decimal degree)	Minimum	8°35' (8.58°)	8°43' (8.72°)	
		Nominal	9°05' (9.08°)	9°13' (9.22°)	
		Maximum	9°35' (9.58°)	9°43' (9.72°)	
Total toe-in	Distance (A - B) mm (in)	Radial tire	Minimum	2 (0.08)	
			Nominal	3 (0.12)	
			Maximum	4 (0.16)	
		Bias tire	Minimum	4 (0.16)	
			Nominal	5 (0.20)	
			Maximum	6 (0.24)	
	Angle (left plus right)	Degree minute (Decimal degree)	Radial tire	Minimum	10' (0.17°)
				Nominal	15' (0.25°)
				Maximum	20' (0.33°)
			Bias tire	Minimum	20' (0.33°)
				Nominal	25' (0.42°)
				Maximum	30' (0.50°)
Wheel turning angle	Inside Full turn*2	Degree minute (Decimal degree)	Minimum	36°00' (36.00°)	36°12' (36.20°)
			Nominal	38°00' (38.00°)	38°12' (38.20°)
			Maximum	38°00' (38.00°)	38°12' (38.20°)
	Outside	Degree minute (Decimal degree)	Minimum	32°36' (32.60°)	32°48' (32.80°)
			Nominal	34°36' (34.60°)	34°48' (34.80°)
			Maximum	34°36' (34.60°)	34°48' (34.80°)
Vehicle posture Lower arm pivot height (H)		mm (in)	111 - 115 (4.37 - 4.53)	120 - 124 (4.72 - 4.88)	



*1: Fuel, radiator coolant and engine oil full. Spare tire, jack, hand tools and mats in designated positions.

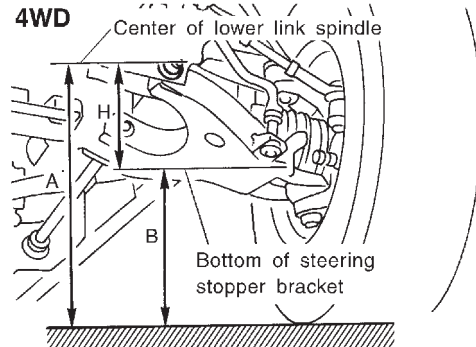
*2: On power steering models, wheel turning force (at circumference of steering wheel) of 98 to 147 N (10 to 15 kg, 22 to 33 lb) with engine idle.

SERVICE DATA AND SPECIFICATIONS (SDS)

Inspection and Adjustment (Cont'd)

4WD

Applied model		Europe and Australia		Except Europe and Australia	
		255/70R15 tire	Except 255/70R15 tire		
Camber	Degree minute (Decimal degree)	Minimum	0°06' (0.10°)		
		Nominal	0°36' (0.60°)		
		Maximum	1°06' (1.10°)		
		Left and right difference	45' (0.75°) or less		
Caster	Degree minute (Decimal degree)	Minimum	1°40' (1.67°)		
		Nominal	2°10' (2.17°)		
		Maximum	2°40' (2.67°)		
		Left and right difference	45' (0.75°) or less		
Kingpin inclination	Degree minute (Decimal degree)	Minimum	10°18' (10.30°)		
		Nominal	10°48' (10.80°)		
		Maximum	11°18' (11.30°)		
Total toe-in	mm (in)	Radial tire	Minimum	3 (0.12)	
			Nominal	4 (0.16)	
			Maximum	5 (0.20)	
		Bias tire	Minimum	4 (0.16)	
			Nominal	5 (0.20)	
			Maximum	6 (0.24)	
Angle (left plus right)	Degree minute (Decimal degree)	Radial tire	Minimum	15' (0.25°)	
			Nominal	20' (0.33°)	
			Maximum	25' (0.42°)	
		Bias tire	Minimum	20' (0.33°)	
			Nominal	25' (0.42°)	
			Maximum	30' (0.50°)	
Wheel turning angle	Inside	Minimum	31°00' (31°00')	33°06' (33.10°)	33°18' (33.30°)
		Nominal	33°00' (33°00')	35°06' (35.10°)	35°18' (35.30°)
		Maximum	33°00' (33°00')	35°06' (35.10°)	35°18' (35.30°)
	Outside	Minimum	29°00' (29°00')	31°12' (31.20°)	31°30' (31.50°)
		Nominal	31°00' (31°00')	33°12' (33.20°)	33°30' (33.50°)
		Maximum	31°00' (31°00')	33°12' (33.20°)	33°30' (33.50°)
Vehicle posture	Lower arm pivot height (H)	mm (in)	45.5 - 49.5 (1.791 - 1.949)	53.3 - 57.3 (2.098 - 2.256)	



SFA816B

*2: On power steering models, wheel turning force (at circumference of steering wheel) of 98 to 147 N (10 to 15 kg, 22 to 33 lb) with engine idle.