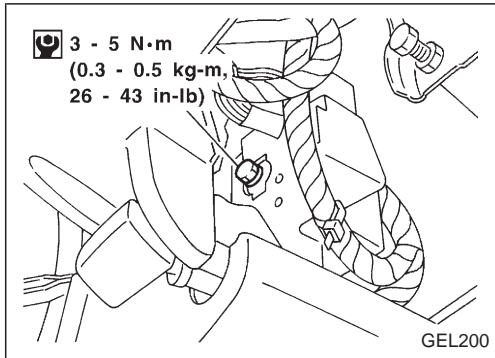


## SUPER MULTIPLE JUNCTION (SMJ)

---



### INSTALLATION

To install SMJ, tighten bolts until orange “fulltight” mark appears and then retighten to specified torque as required.

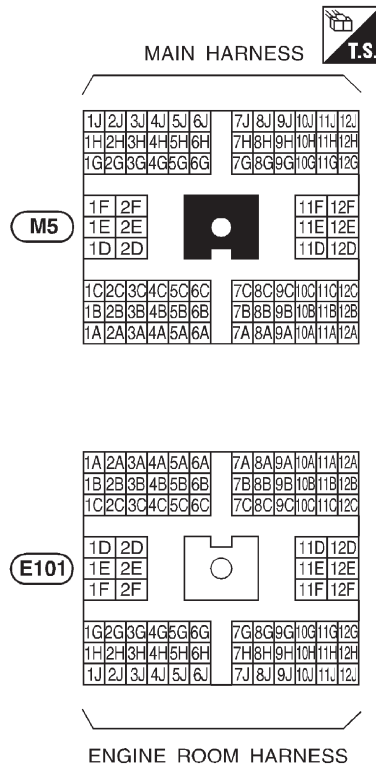
: 3 - 5 N·m  
(0.3 - 0.5 kg-m, 26 - 43 in-lb)

### CAUTION:

**Do not overtighten bolts, otherwise, they may be damaged.**

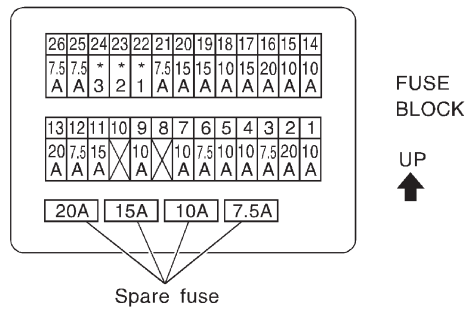
# SUPER MULTIPLE JUNCTION (SMJ)

## Terminal Arrangement



# FUSE AND FUSIBLE LINK

## Terminal Arrangement

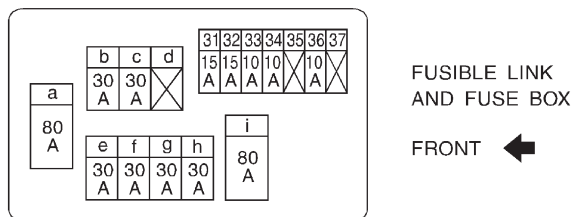


Spare fuse

\*1: 3A ... 2WD models with airbag  
10A ... 4WD models with airbag

\*2: 10A ... KA, TD and QD engine models  
15A ... NA and Z engine models

\*3: 10A ... NA and Z engine models  
15A ... KA engine model

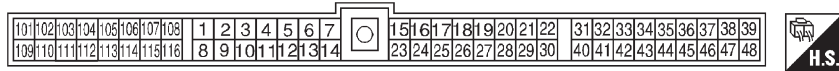


No. 31 - 37 : Fuse    a - i : Fusible link

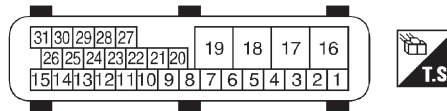
# CONTROL UNITS/JOINT CONNECTOR (J/C)

## Terminal Arrangement

ECM (ECCS control module) **M32** (LHD models), **F51** (RHD models)



ABS actuator assembly **E4**



Joint connector

